

FRONT
OF
COACH

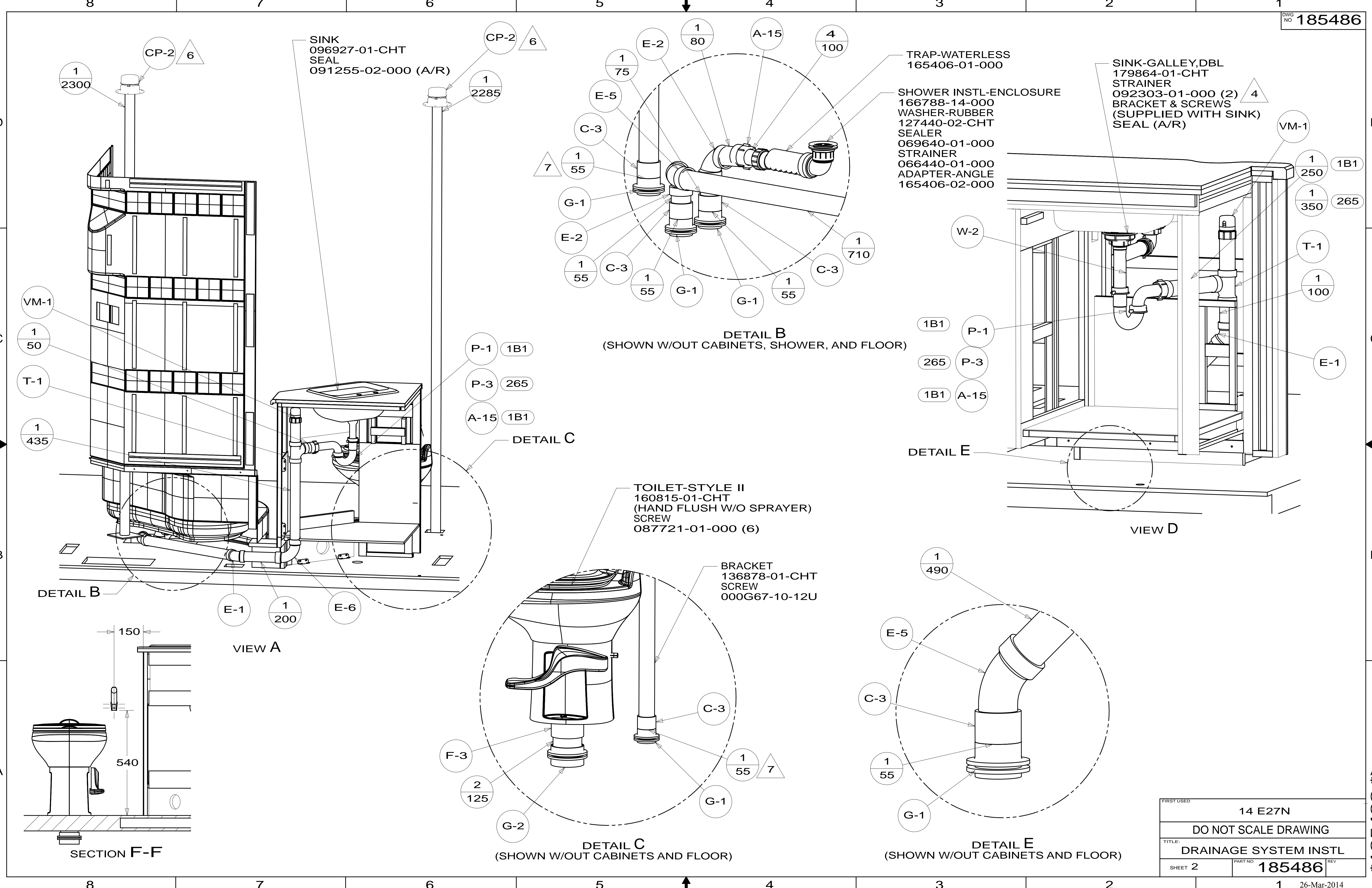
- NOTES:
1. SLOPE OF HORIZONTAL PIPING TO BE MINIMUM OF 3 PER 305 mm.
 2. SLOPE OF TRAP ARM MUST BE 6 PER 305 mm.
 3. ALL PIPE AND FITTINGS TO BE ASSEMBLED WITH SOLVENT 004020-01-000 (USA), 004020-02-000 (CAN)
 4. USE SMOOTH PLUMBERS PUTTY 167459-01-000 TO SEAL STRAINER (0.2 PER STRAINER).
 5. SEAL AROUND SHOWER WITH SILICONE.
 6. VENT PIPE MUST PROJECT 51 MIN AND 64 MAX ABOVE ROOF FOR PROPER FIT AND FUNCTION. ADD S-1 (116666-01-CHT SEAL-VENT PIPE) AROUND PIPE ON ROOF BEFORE VENT CAP IS INSTALLED.
 7. SECURE VENT PIPE TO TANK WITH CLAMP 062401-02-000.
 8. SECURE DRAINAGE PIPES TO CABINET USING WIRE TIE 108046-02-000, AND SCREW 000G67-10-12U AT INTERVALS OF NOT OF NOT MORE THAN 4 FEET APART.
 9. SEE DRAWING 061607 FOR INSTALLATION OF GROMMETS.

265 CODES/STDS-CSA/CMVSS
1B1 CODES/STANDARDS-USA

		COPYRIGHT 2014 WINNEBAGO INDUSTRIES, INC.	
DTR	ORIG. DATE	ALL DIMENSIONS ARE IN MILLIMETERS	
CHKR			
P.E.			
M.E.	FIRST USED	14 E27N	
DSNR			
UNSPECIFIED TOLERANCES ARE:		MATERIAL:	
WHOLE DIM (X)	: 3		
ONE-PLACE (X.X)	:		
TWO-PLACE (X.XX)	:		
ANGLE	:		
THIRD ANGLE PROJECTION			
DO NOT SCALE DRAWING		REFER TO ES0018 FOR FASTENER TIGHTENING GUIDELINES	
TITLE: DRAINAGE SYSTEM INSTL			
SHEET 1 OF 3	PART NO	185486	REV
REF:	1	26-Mar-2014	

FOR DRAINAGE CALLOUTS SEE DWG NO 116229-01-000

* 185486 * A



SINK
096927-01-CHT
SEAL
091255-02-000 (A/R)

TRAP-WATERLESS
165406-01-000

SHOWER INSTL-ENCLOSURE
166788-14-000
WASHER-RUBBER
127440-02-CHT
SEALER
069640-01-000
STRAINER
066440-01-000
ADAPTER-ANGLE
165406-02-000

SINK-GALLEY, DBL
179864-01-CHT
STRAINER
092303-01-000 (2)
BRACKET & SCREWS
(SUPPLIED WITH SINK)
SEAL (A/R)

DETAIL B
(SHOWN W/OUT CABINETS, SHOWER, AND FLOOR)

TOILET-STYLE II
160815-01-CHT
(HAND FLUSH W/O SPRAYER)
SCREW
087721-01-000 (6)

BRACKET
136878-01-CHT
SCREW
000G67-10-12U

DETAIL C
(SHOWN W/OUT CABINETS AND FLOOR)

DETAIL E
(SHOWN W/OUT CABINETS AND FLOOR)

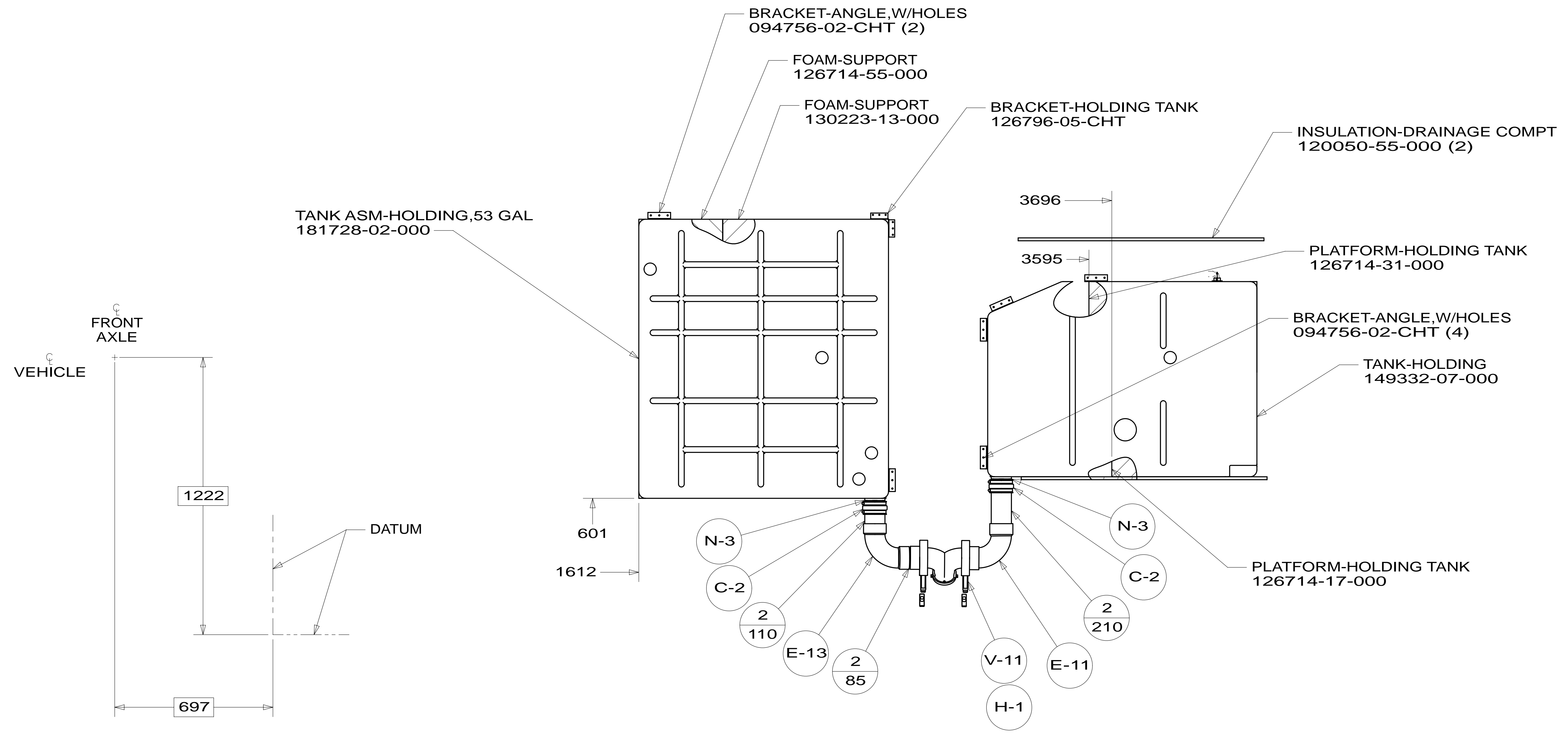
VIEW A

VIEW D

SECTION F-F

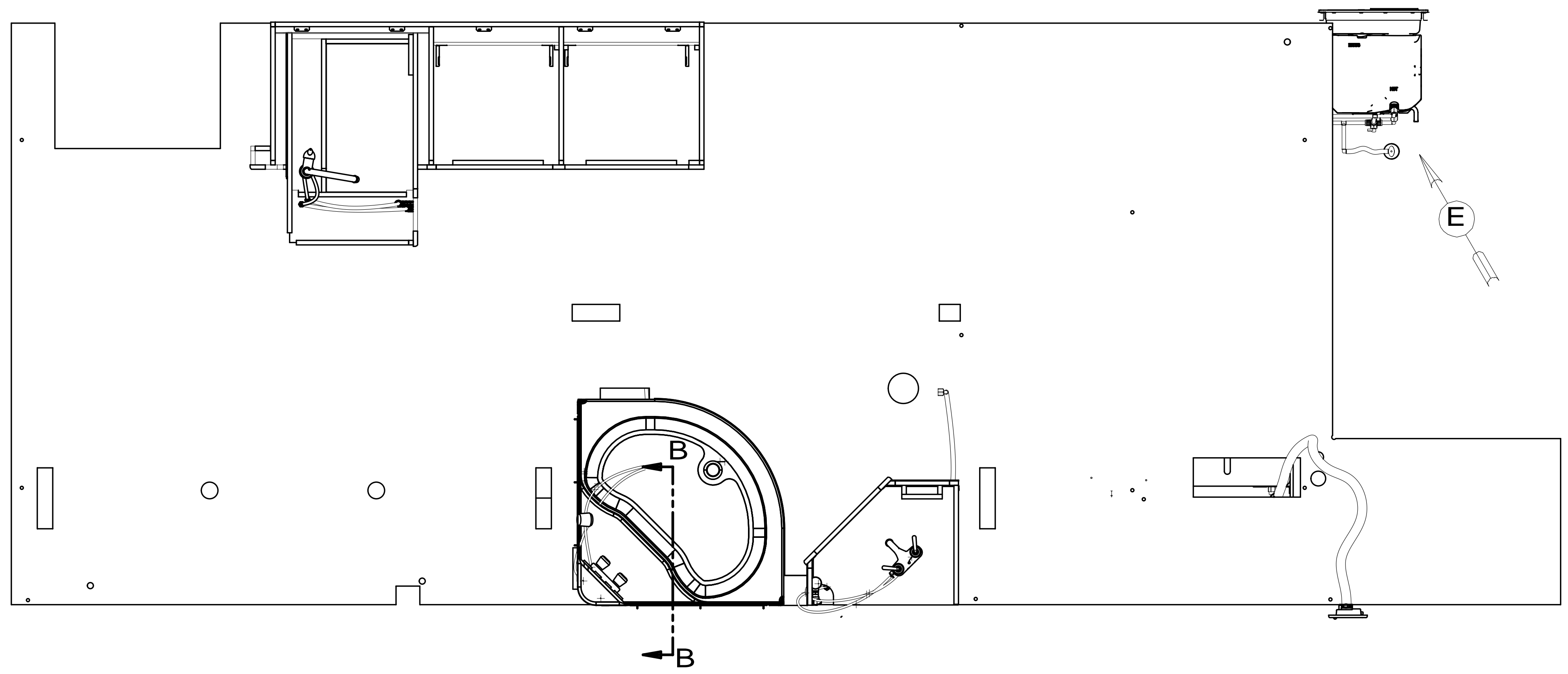
FIRST USED	14 E27N	
TITLE:	DO NOT SCALE DRAWING	
TITLE:	DRAINAGE SYSTEM INSTL	
SHEET 2	PART NO	185486
	REV	
		26-Mar-2014

* 185486 * A



FIRST USED	14 E27N	
DO NOT SCALE DRAWING		
TITLE: DRAINAGE SYSTEM INSTL		
SHEET 3	PART NO 185486	REV
		26-Mar-2014

* 185486 * A



8. ALL CRIMP FITTINGS TO PEX TUBING REQUIRE 1/2" CLAMP 140171-03-000.
7. ALL CRIMP FITTINGS TO PEX TUBING REQUIRE 5/8" CLAMP 140171-04-000.
- 6 LABEL HOT AND COLD SUPPLY TUBES AND TAPE FITTING TO TUBE BEFORE CABINET SET TO PREVENT MOVEMENT.
- 5 ADD PIPE WRAP (LADDER SCRAP 110157-02-000) INSULATION.
- 4 ADD TEFLON TAPE 010405-02-000.
3. ALL TUBING TO BE SECURED AT 1200 INTERVALS MAXIMUM WITH CLAMP 010495-01-000 AND SCREW 000G67-10-12U OR EQUIVALENT.
2. TUBING TO BE INSTALLED WITH SUFFICIENT SLOPE TO PROVIDE DRAINAGE TO NEAREST VALVE.
1. PLASTIC FITTINGS TO BE SEALED WITH SEALANT 084456-01-000.

NOTES:

53D WTR HTR-6GAL/ELE/LP/MOTORAID

		COPYRIGHT 2014 WINNEBAGO INDUSTRIES, INC.	
DFT-ORIG	ORIG. DATE	ALL DIMENSIONS ARE IN MILLIMETERS	
CHKR			
P.E.			
M.E.	FIRST USED	14 E27N	
DSNR			
UNSPECIFIED TOLERANCES ARE:		MATERIAL:	
WHOLE DIM (X)	: 3		
ONE-PLACE (X.X)	: 1.5		
TWO-PLACE (X.XX)	: 0.50		
ANGLE	: 1°		
THIRD ANGLE PROJECTION			
DO NOT SCALE DRAWING		REFER TO ES0018 FOR FASTENER TIGHTENING GUIDELINES	
TITLE: WATER SYSTEM INSTL			
SHEET 1 OF 3	PART NO	185485	REV
REF:	1	03-Feb-2014	

FOR WATER CALLOUTS SEE DWG NO 116230-01-000

* 185485 * A

FAUCET-GAL
171482-02-CHT

DETAIL D

FAUCET-LAV
186417-01-CHT

FLUSHING SYSTEM
125697-05-000

DETAIL L
(SHOWN W/OUT SERVICE PANELS)

PANEL-SERVICE CENTER
146163-15-CHT

PANEL-SERVICE CENTER
146164-10-CHT

- WATER HEATER 145541-02-000 (53D)
- DOOR 125420-06-CHT
- CABLE 076767-03-000
- SCREW 000G11-06-08B (2)
- AL EXTR 002726-51-018 (2)
- 002726-51-017 (2)
- SCREW 000G39-10-169 (18)
- SEALANT

BREAKER-VACUUM, FLUSHING SYS
125697-04-000
FLUSHING SYSTEM 125697-03-000

PANEL-SHOWER
167738-02-CHT

SECTION B-B
(ROTATED)

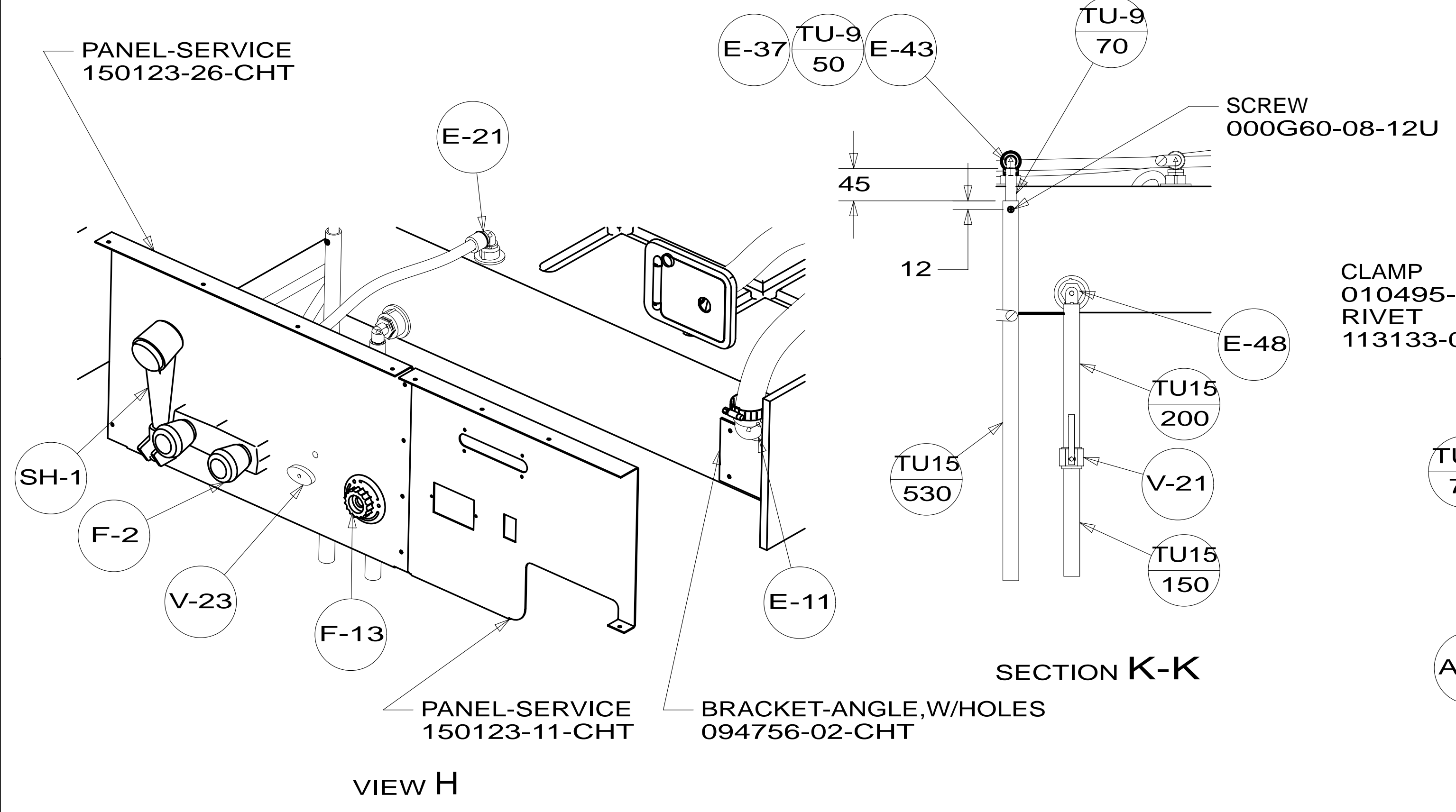
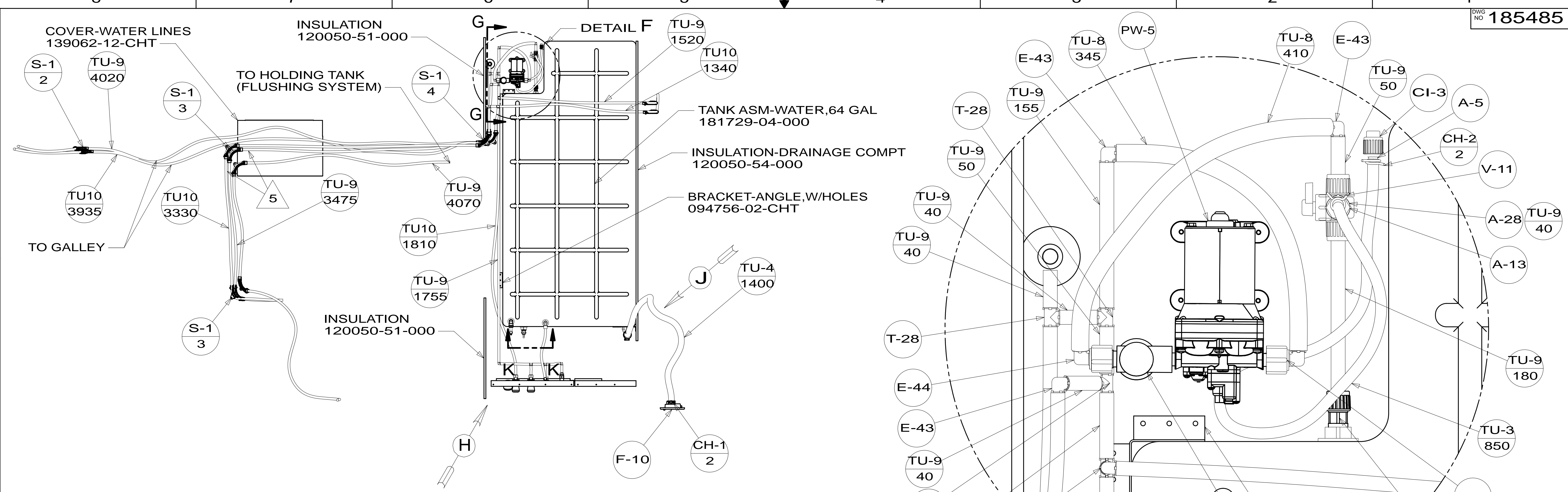
DETAIL C
(SHOWN W/OUT SHOWER)

DETAIL D
(SHOWN W/OUT CABINETS)

VIEW E

FIRST USED	14 E27N	
DO NOT SCALE DRAWING		
TITLE: WATER SYSTEM INSTL		
SHEET 2	PART NO 185485	REV
03-Feb-2014		

* 185485 * A



FIRST USED	14 E27N	
TITLE:	DO NOT SCALE DRAWING	
TITLE:	WATER SYSTEM INSTL	
SHEET 3	PART NO	185485
		REV
		03-Feb-2014

* 185485 * A