

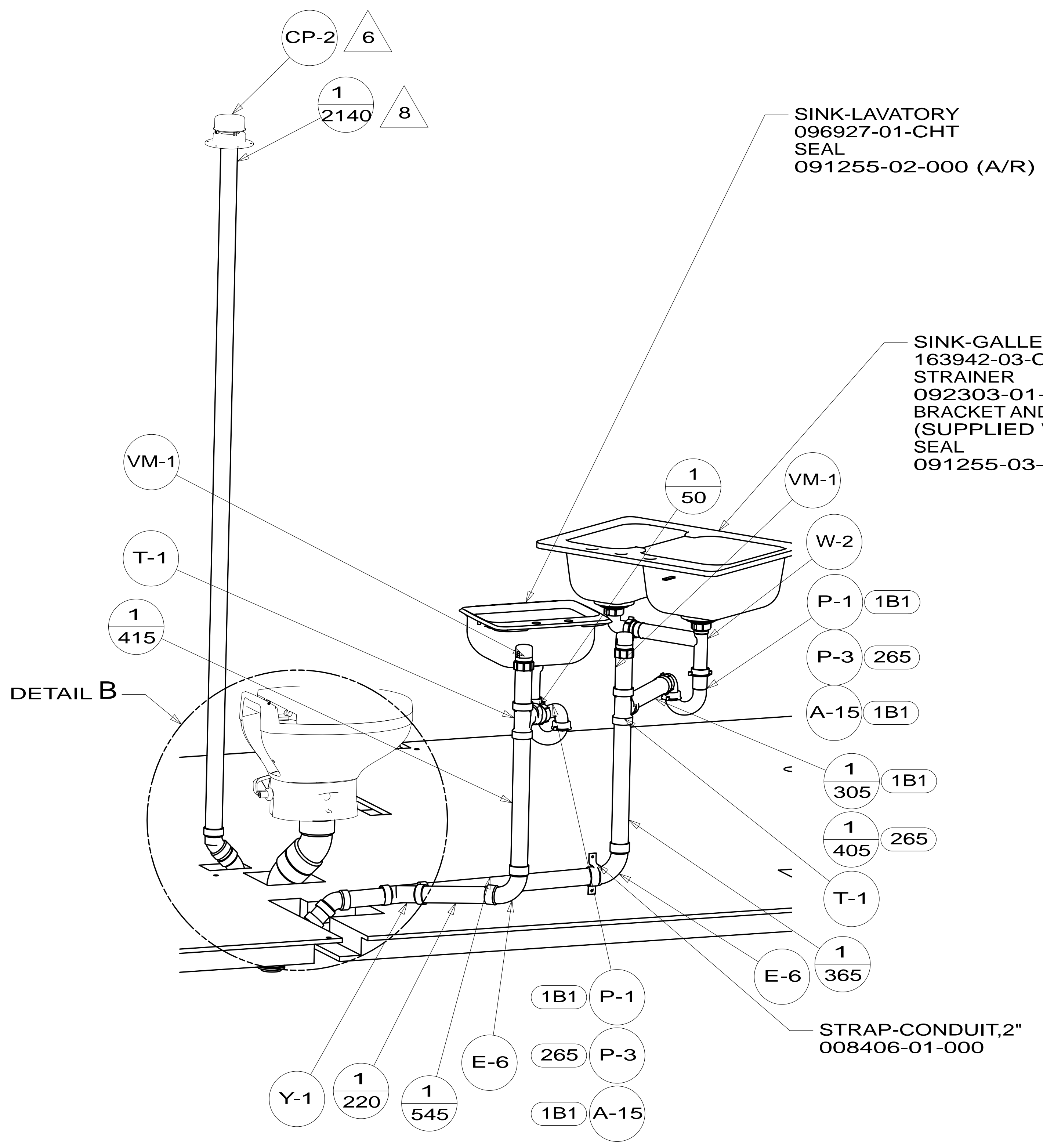
- 10. VALVE TERMINATION TEE TO BE POSITIONED AT 10° DOWN AND OUTBOARD.
- 9. SEE DRAWING 061607 FOR INSTALLATION OF GROMMETS.
- 8. SECURE DRAINAGE PIPES TO CABINET USING WIRE TIE 108046-02-000, AND SCREW 000G67-10-12B AT INTERVALS OF NOT OF NOT MORE THAN 4 FEET APART.
- 7. SECURE VENT PIPE TO TANK WITH CLAMP 062401-02-000.
- 6. VENT PIPE MUST PROJECT 51 MIN AND 64 MAX ABOVE ROOF FOR PROPER FIT AND FUNCTION. ADD S-1 (116666-01-CHT SEAL-VENT PIPE) AROUND PIPE ON ROOF BEFORE VENT CAP IS INSTALLED.
- 5. SEAL AROUND SHOWER WITH SILICONE.
- 4. USE SMOOTH PLUMBERS PUTTY 167459-01-000 TO SEAL STRAINER (0.2 PER STRAINER).
- 3. ALL PIPE AND FITTINGS TO BE ASSEMBLED WITH SOLVENT 004020-01-000 (USA), 004020-02-000 (CAN)
- 2. SLOPE OF TRAP ARM MUST BE 6 PER 305 mm.
- 1. SLOPE OF HORIZONTAL PIPING TO BE MINIMUM OF 3 PER 305 mm.

1B1 CODES/STANDARDS USA
 265 CODES/STANDARDS-CSA/CMVSS

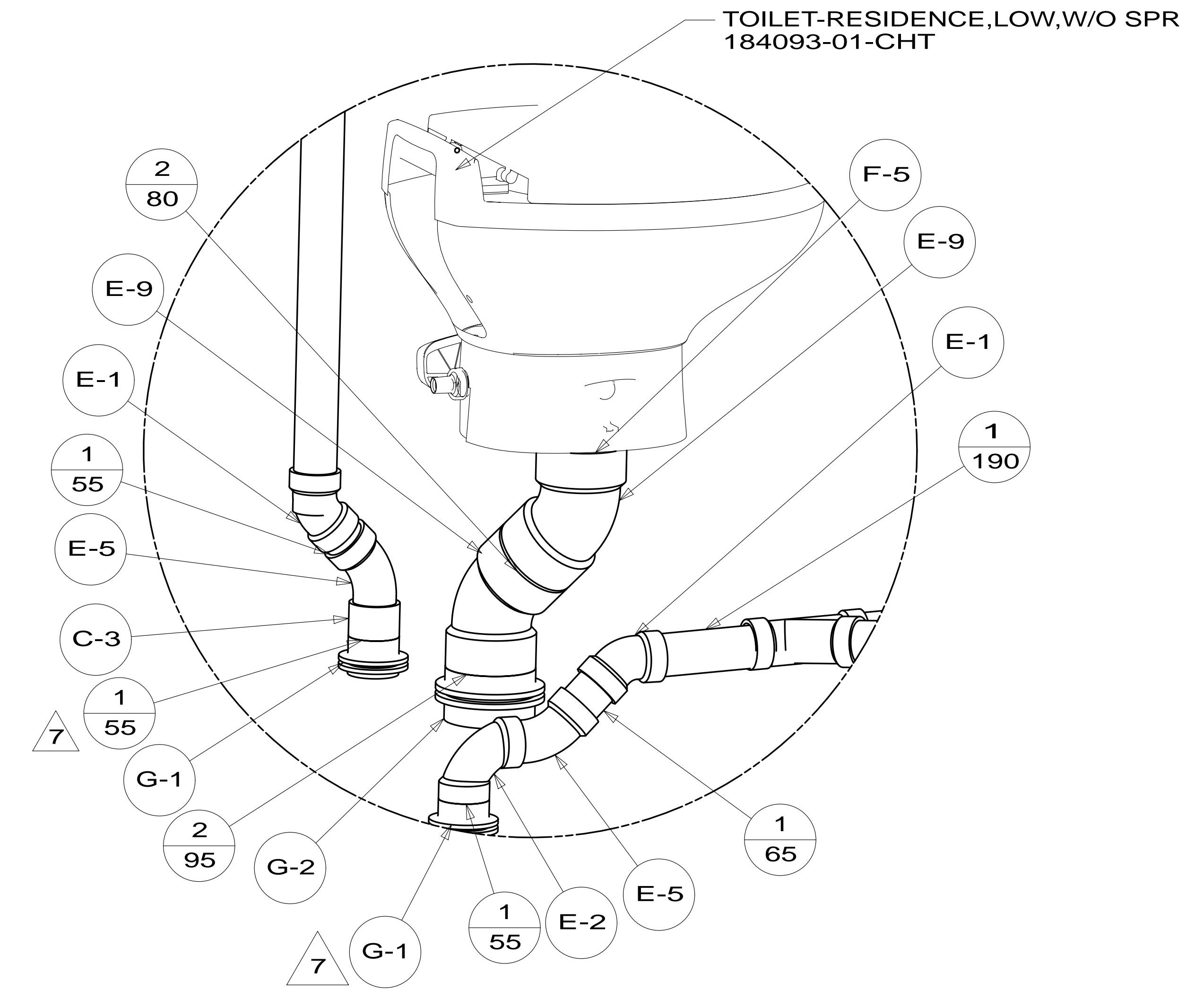
WINNEBAGO		COPYRIGHT 2014 WINNEBAGO INDUSTRIES, INC.	
DFT-ORIG	ORIG. DATE	ALL DIMENSIONS ARE IN MILLIMETERS	
CHKR		MATERIAL: 14 E26HE	
P.E.		UNSPECIFIED TOLERANCES ARE:	
M.E.	FIRST USED	WHOLE DIM (X) : 3	
DSNR		ONE-PLACE (X.X) : 1.5	
		TWO-PLACE (X.XX) : 0.50	
		ANGLE : 1°	
		THIRD ANGLE PROJECTION	
DO NOT SCALE DRAWING		REFER TO ES0018 FOR FASTENER TIGHTENING GUIDELINES	
TITLE: DRAINAGE SYSTEM INSTL			
SHEET 1 OF 4		PART NO	185469
REF:		1	11-Apr-2014

FOR DRAINAGE CALLOUTS SEE DWG NO 116229-01-000

NOTES:

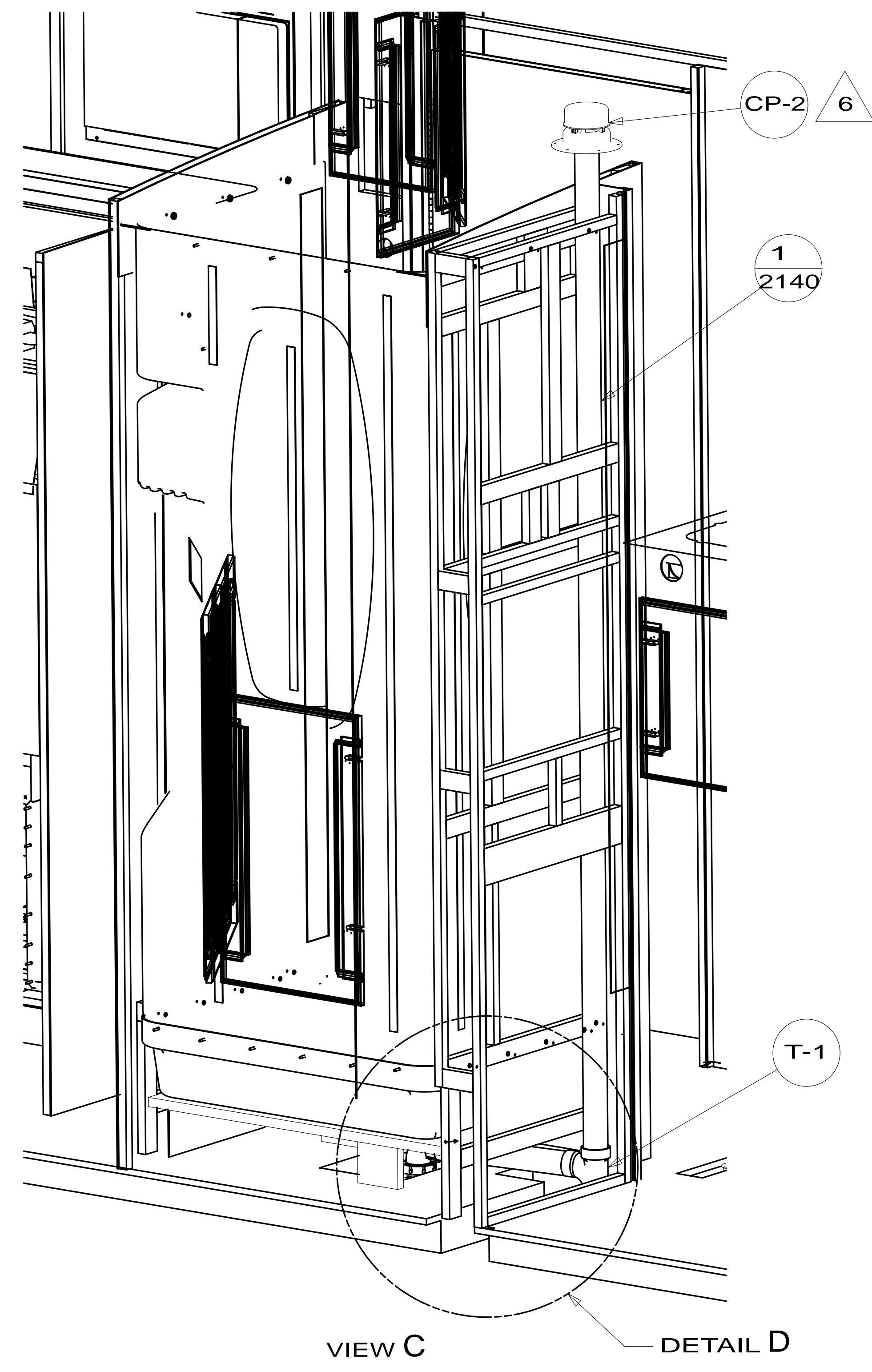


VIEW A

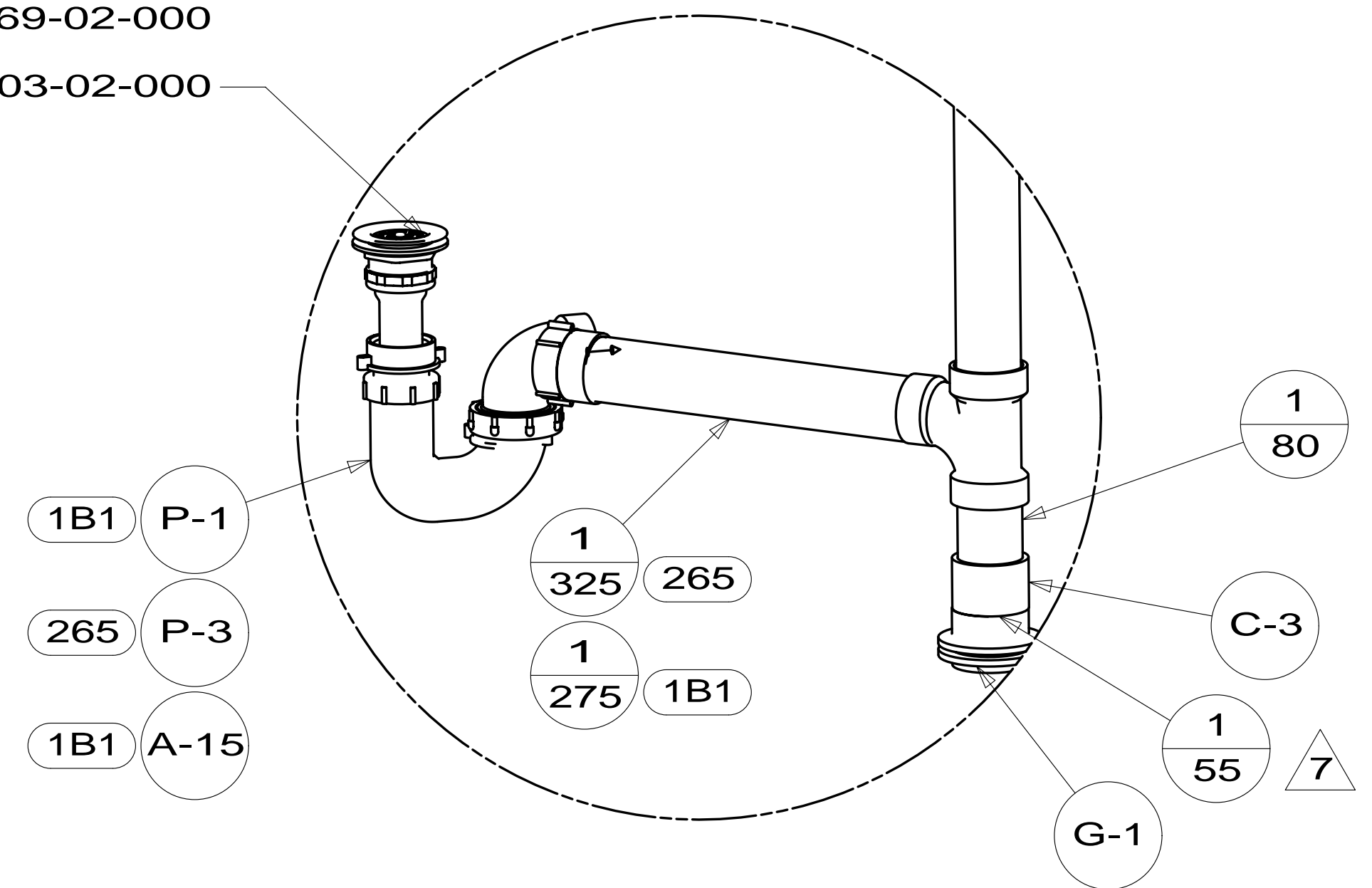


DETAIL B
(SHOWN W/OUT CABINETS & FLOOR)

FIRST USED	14 E26HE	
TITLE:	DO NOT SCALE DRAWING	
TITLE:	DRAINAGE SYSTEM INSTL	
SHEET 2	PART NO	REV
	185469	
		11-Apr-2014



- SHOWER INSTL
 147936-04-000
 000G11-08-12U (10)
 000G39-08-12U (6)
 STRAINER
 066440-01-000
 SEALER
 069640-01-000
 WASHER-RUBBER
 127440-02-CHT
 TAILPIECE
 011069-02-000
 NUT
 130403-02-000



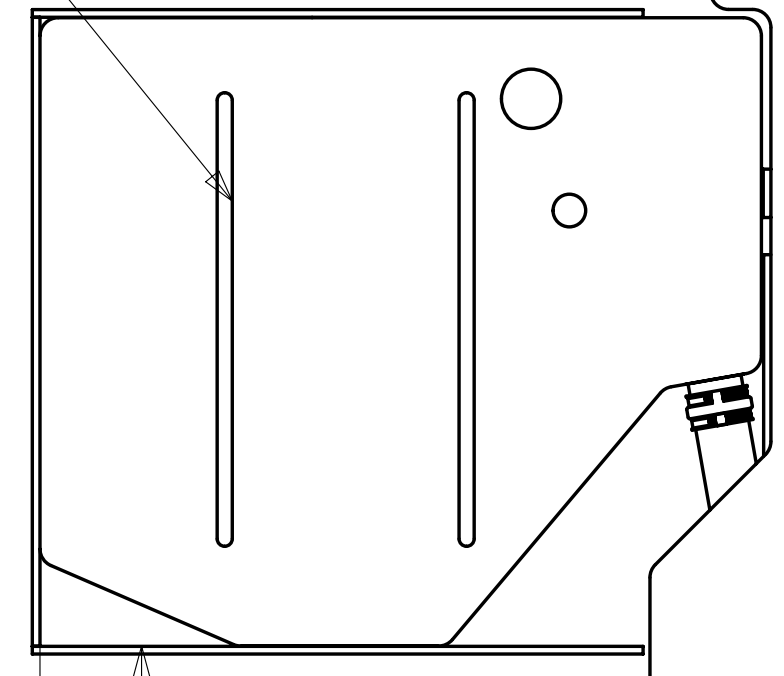
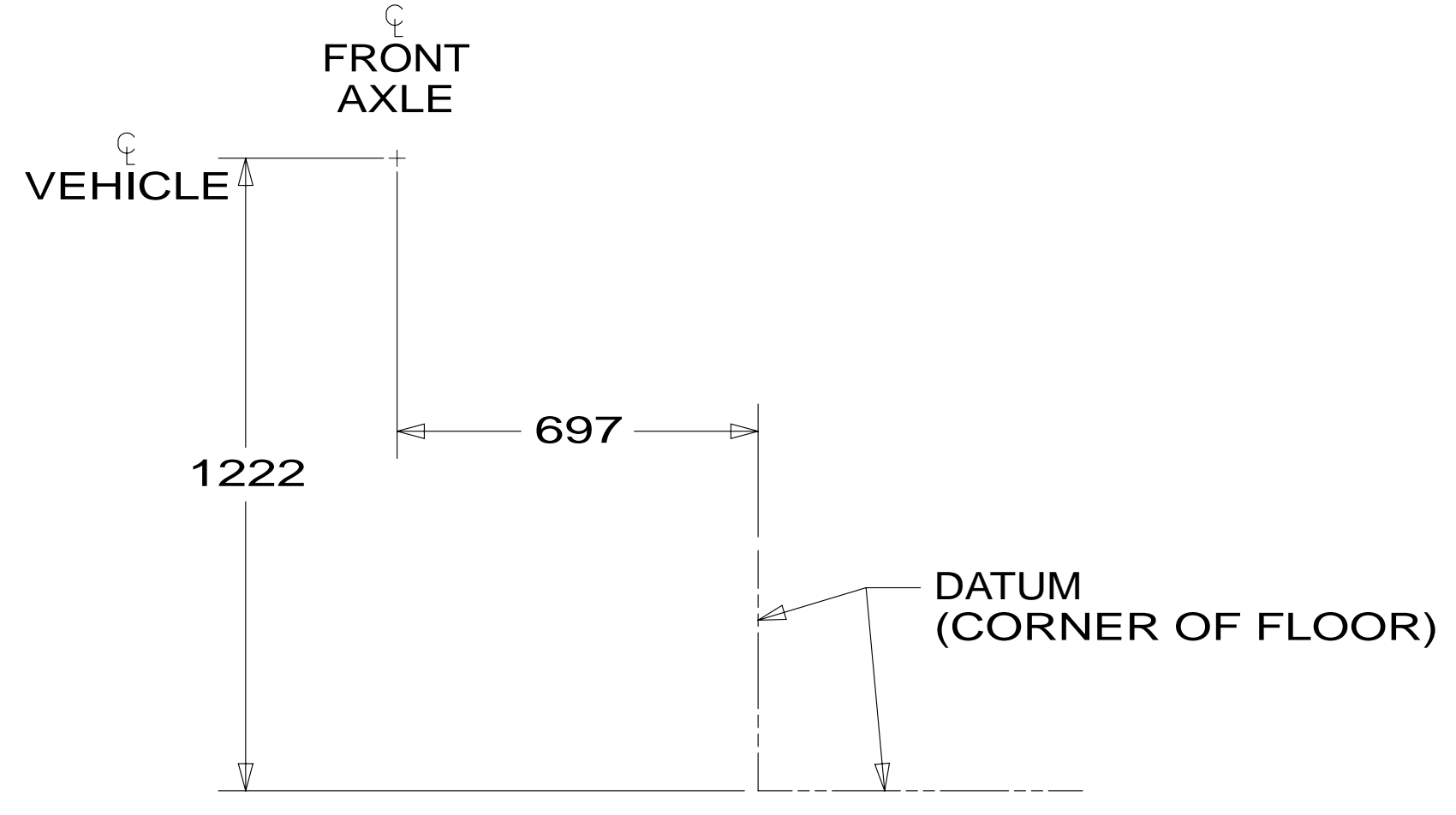
DETAIL D
 (SHOWN W/OUT SHOWER, CABINETS, & FLOOR)

FIRST USED	14 E26HE		
TITLE:	DO NOT SCALE DRAWING		
	DRAINAGE SYSTEM INSTL		
SHEET 3	PART NO	185469	REV
	1		11-Apr-2014

BRACKET-HOLDING TANK
126796-06-CHT

TANK ASM-HOLDING,43 GAL
154458-02-000

TANK ASM-HOLDING,38 GAL
154457-05-000



3878
246 100
STL-TUBE
123963-07-CHT

PLATFORM-HOLDING TANK
126714-30-000(2)

INSULATION-DRAINAGE COMPT
120050-73-000

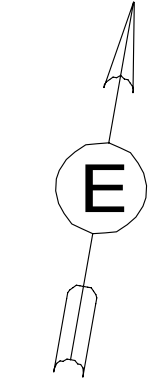
INSULATION-DRAINAGE COMPT
120050-72-000 (2)

BRACKET-HOLDING TANK
126796-04-CHT (2)

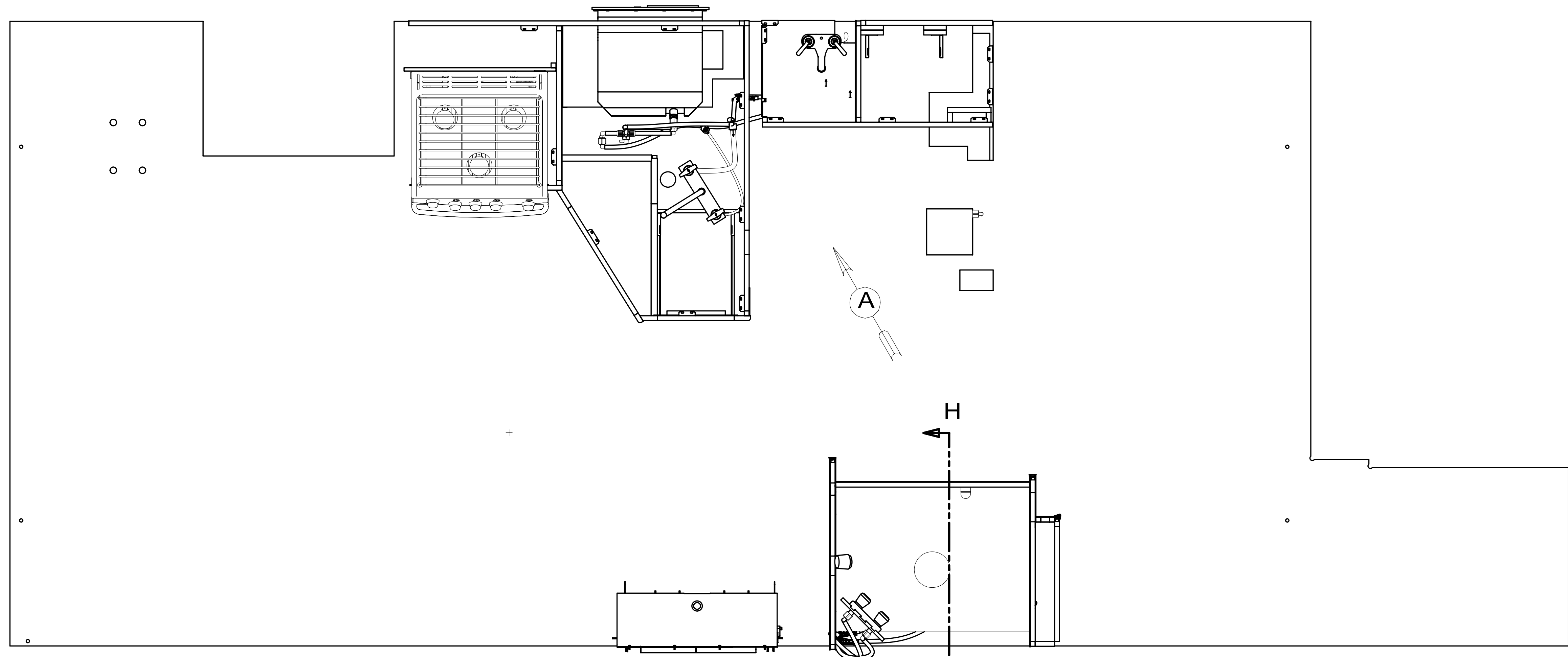
INSULATION-DRAINAGE COMPT
120050-16-000

FOAM-SUPPORT,HOLDING TANK
130223-04-000

VIEW E



FIRST USED	14 E26HE	
TITLE:	DO NOT SCALE DRAWING	
TITLE:	DRAINAGE SYSTEM INSTL	
SHEET 4	PART NO	185469
	REV	
		11-Apr-2014



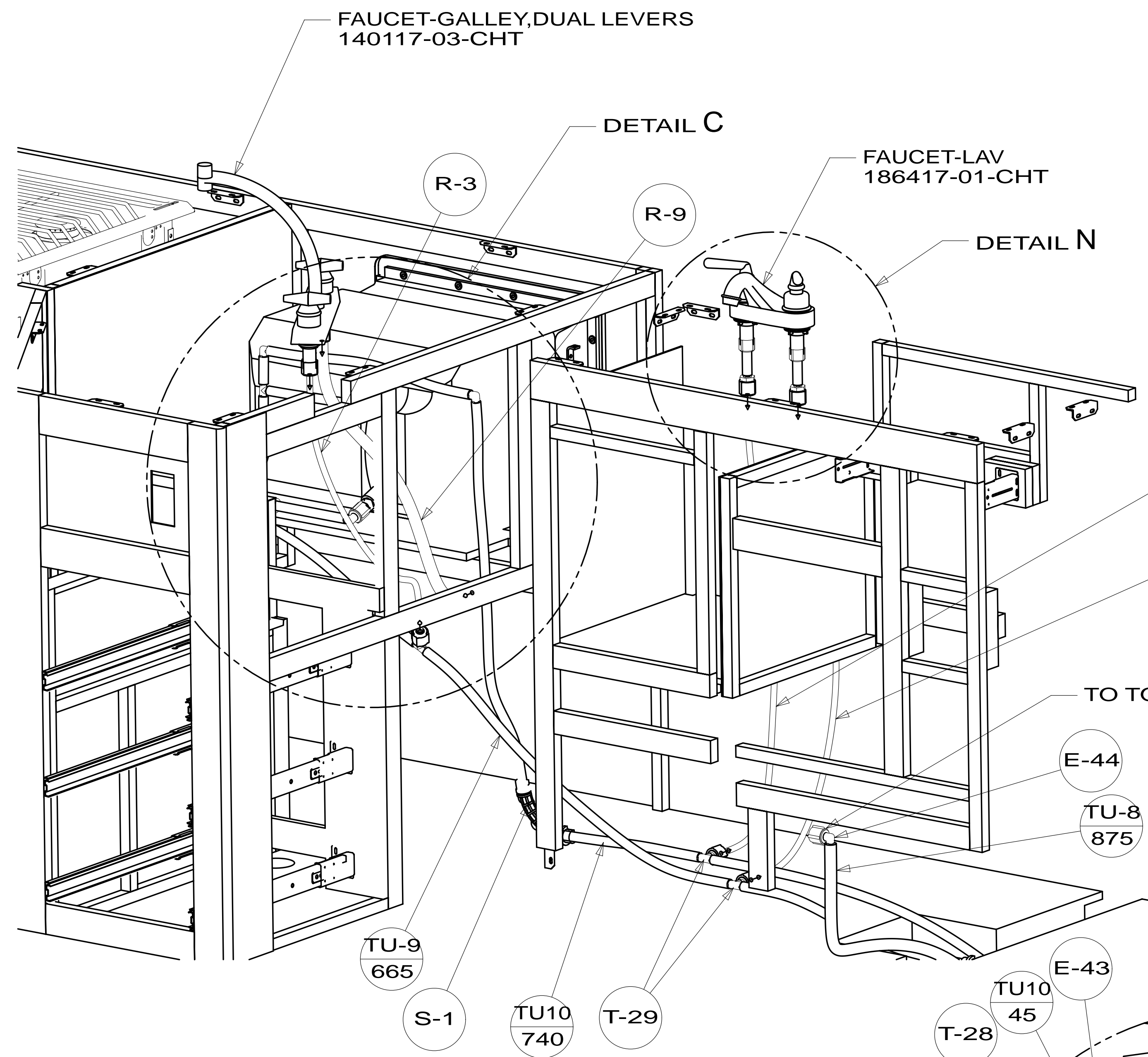
8. ALL CRIMP FITTINGS TO PEX TUBING REQUIRE 1/2" CLAMP 140171-03-000.
7. ALL CRIMP FITTINGS TO PEX TUBING REQUIRE 5/8" CLAMP 140171-04-000.
- 6 LABEL HOT AND COLD SUPPLY TUBES AND TAPE FITTING TO TUBE BEFORE CABINET SET TO PREVENT MOVEMENT.
- 5 ADD PIPE WRAP (LADDER SCRAP 110157-02-000) INSULATION.
- 4 ADD TEFLON TAPE 010405-02-000.
3. ALL TUBING TO BE SECURED AT 1200 INTERVALS MAXIMUM WITH CLAMP 010495-01-000 AND SCREW 000G67-10-12U OR EQUIVALENT.
2. TUBING TO BE INSTALLED WITH SUFFICIENT SLOPE TO PROVIDE DRAINAGE TO NEAREST VALVE.
1. PLASTIC FITTINGS TO BE SEALED WITH SEALANT 084456-01-000.

NOTES:

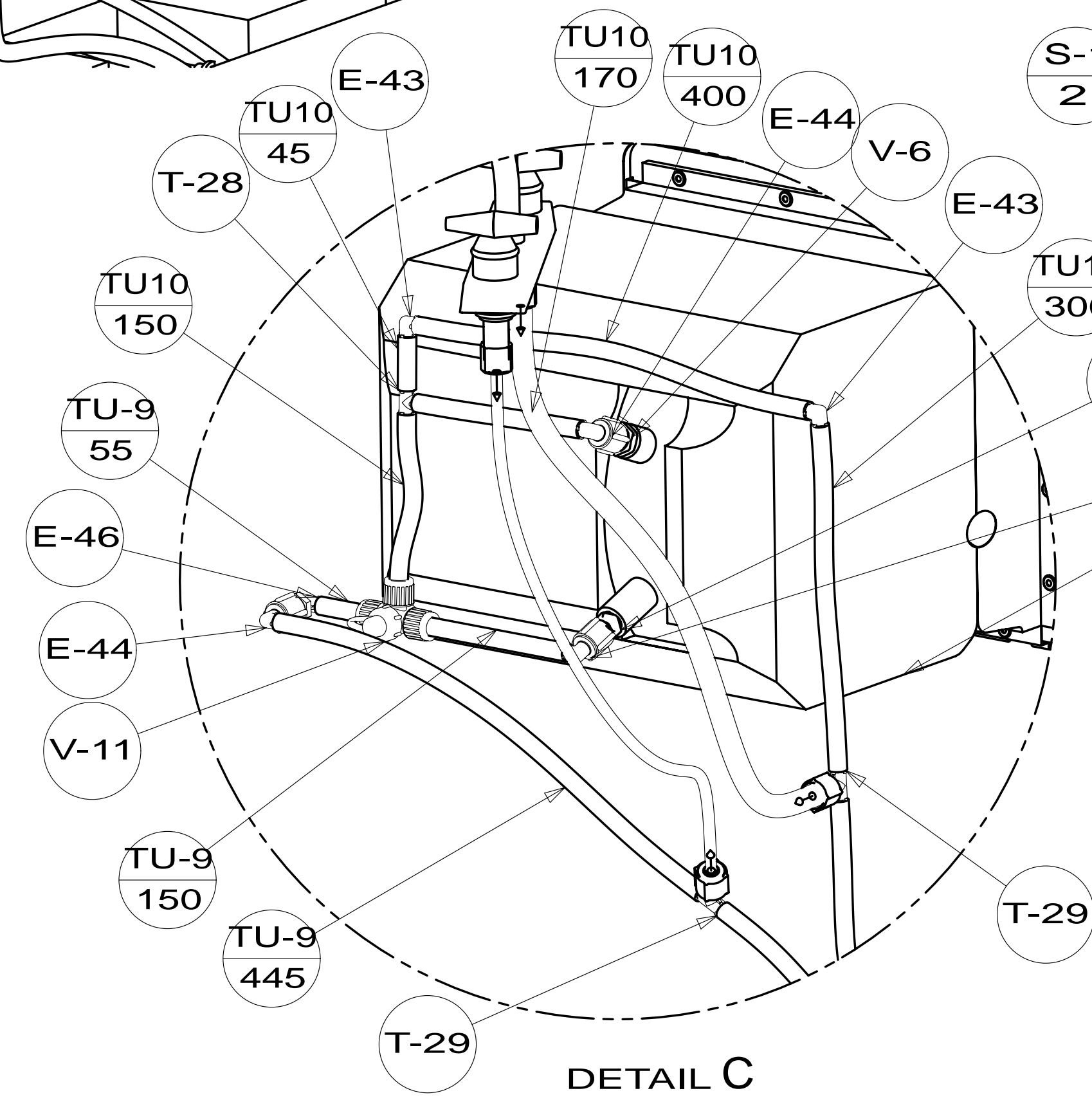
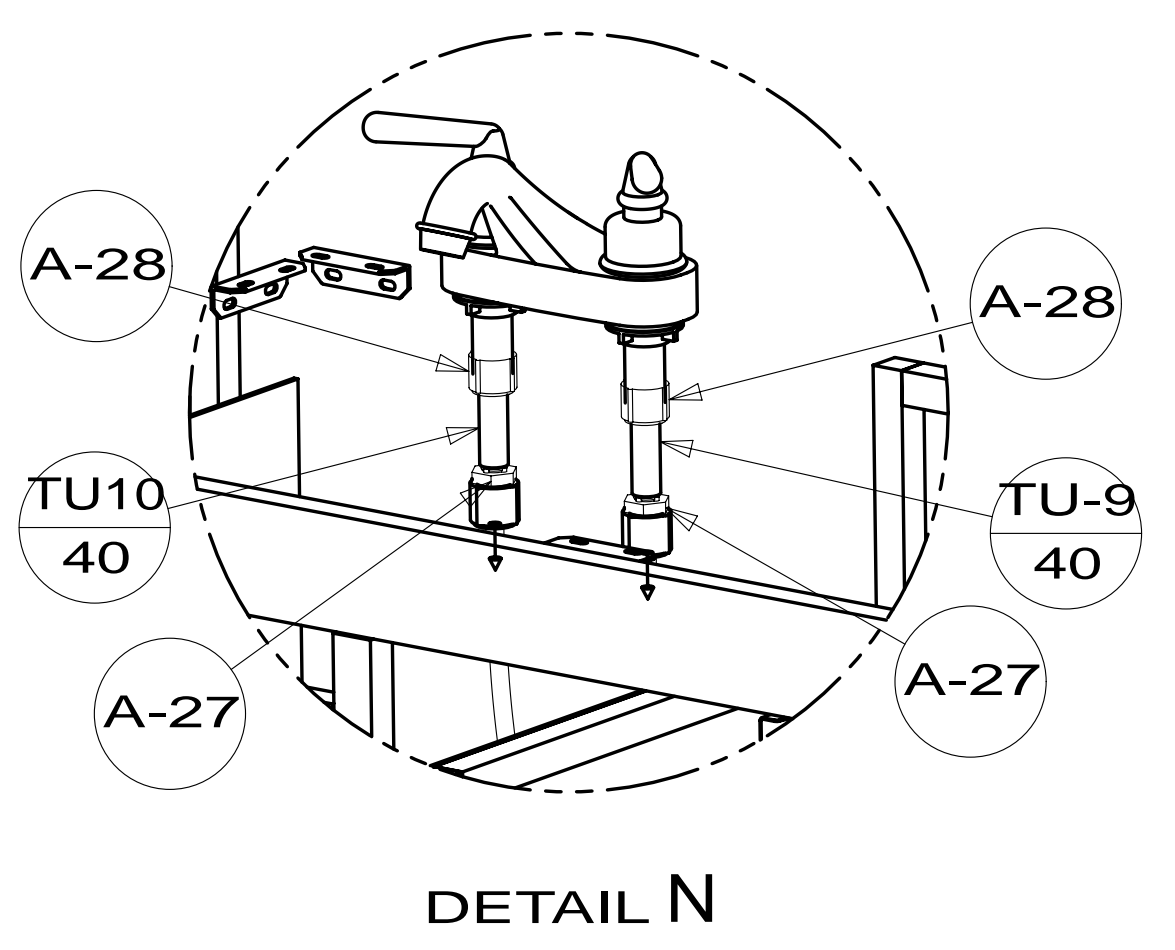
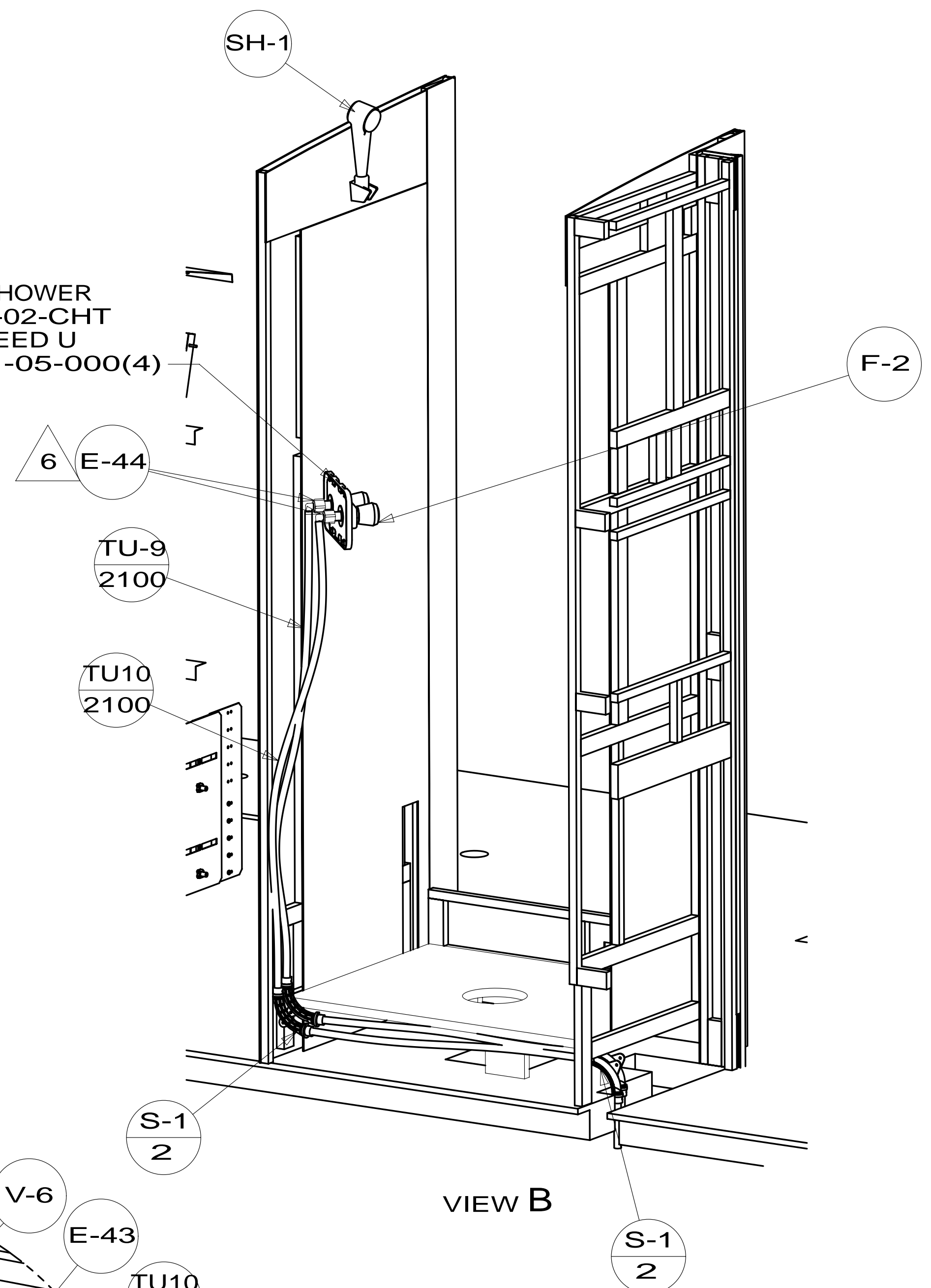
(X-X)
FOR WATER CALLOUTS SEE DWG NO 116230-01-000

		COPYRIGHT 2014 WINNEBAGO INDUSTRIES, INC.	
DFT-ORIG	ORIG. DATE	ALL DIMENSIONS ARE IN MILLIMETERS	
CHKR			
P.E.			
M.E.	FIRST USED	14 E26HE	
DSNR			
UNSPECIFIED TOLERANCES ARE:		MATERIAL:	
WHOLE DIM (X)	: 3		
ONE-PLACE (X.X)	: 1.5		
TWO-PLACE (X.XX)	: 0.50		
ANGLE	: 1°		
THIRD ANGLE PROJECTION			
DO NOT SCALE DRAWING		REFER TO ES0018 FOR FASTENER TIGHTENING GUIDELINES	
TITLE: WATER SYSTEM INSTL			
SHEET 1 OF 4	PART NO	185468	REV
REF:	1	11-Apr-2014	

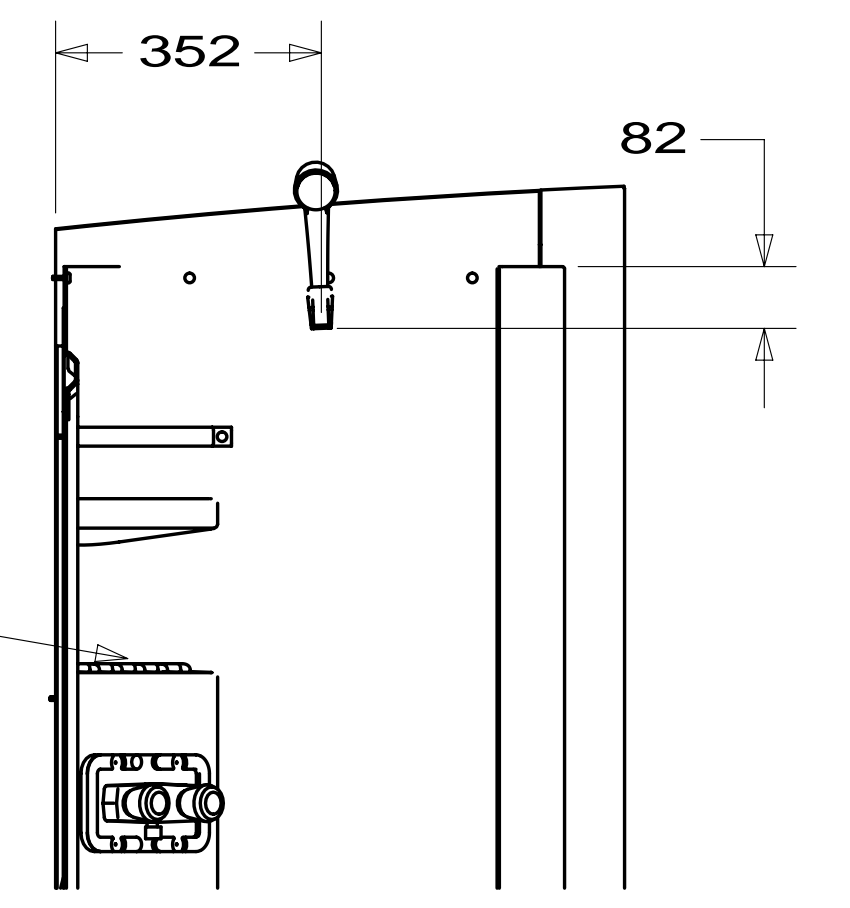
* 185468 * A



PANEL-SHOWER
167738-02-CHT
NUT-SPEED U
040921-05-000(4)



WATER HEATER-6 GAL
051391-03-000
DOOR
125420-06-CHT
SCREW
000G39-10-48B(2)
AL EXTR
002726-51-017 (2)
002726-51-018 (2)
SCREW
000G39-10-169(18)
CABLE
076767-03-000
SCREW
000G11-06-08B(2)
SEALANT



FIRST USED	14 E26HE	
TITLE:	DO NOT SCALE DRAWING	
SHEET 2	PART NO	185468
	REV	

* 185468 * A

BRACKET-ANGLE, W/HOLES
094756-02-CHT

TANK ASM-WATER, 54 GAL
167498-04-000

INSULATION-DRAINAGE COMPT
120050-74-000 (2)

INSULATION-DRAINAGE COMPT
120050-70-000

INSULATION-DRAINAGE COMPT
120050-62-000

TO LAV/GALLEY

TO PUMP

TU10
2750

TU-9
1950

TOP VIEW
SHOWING LINES UNDER FLOOR & TANKS

PANEL-SERVICE CENTER
150123-25-CHT

PANEL-SERVICE CENTER
150123-16-CHT

VIEW D

TO TOILET

TO LAVATORY/GALLEY

INSULATION
105290-01-000 (2)
(525 X 570)

TO SERVICE PANEL

S-1
3

TU-9
960

TU-9
40

TU-8
450

E-44

F-9

PW-5

TU-9
200

E-44

V-22

TU-9
45

E-43

TU-9
75

E-43

TU-9
50

E-43

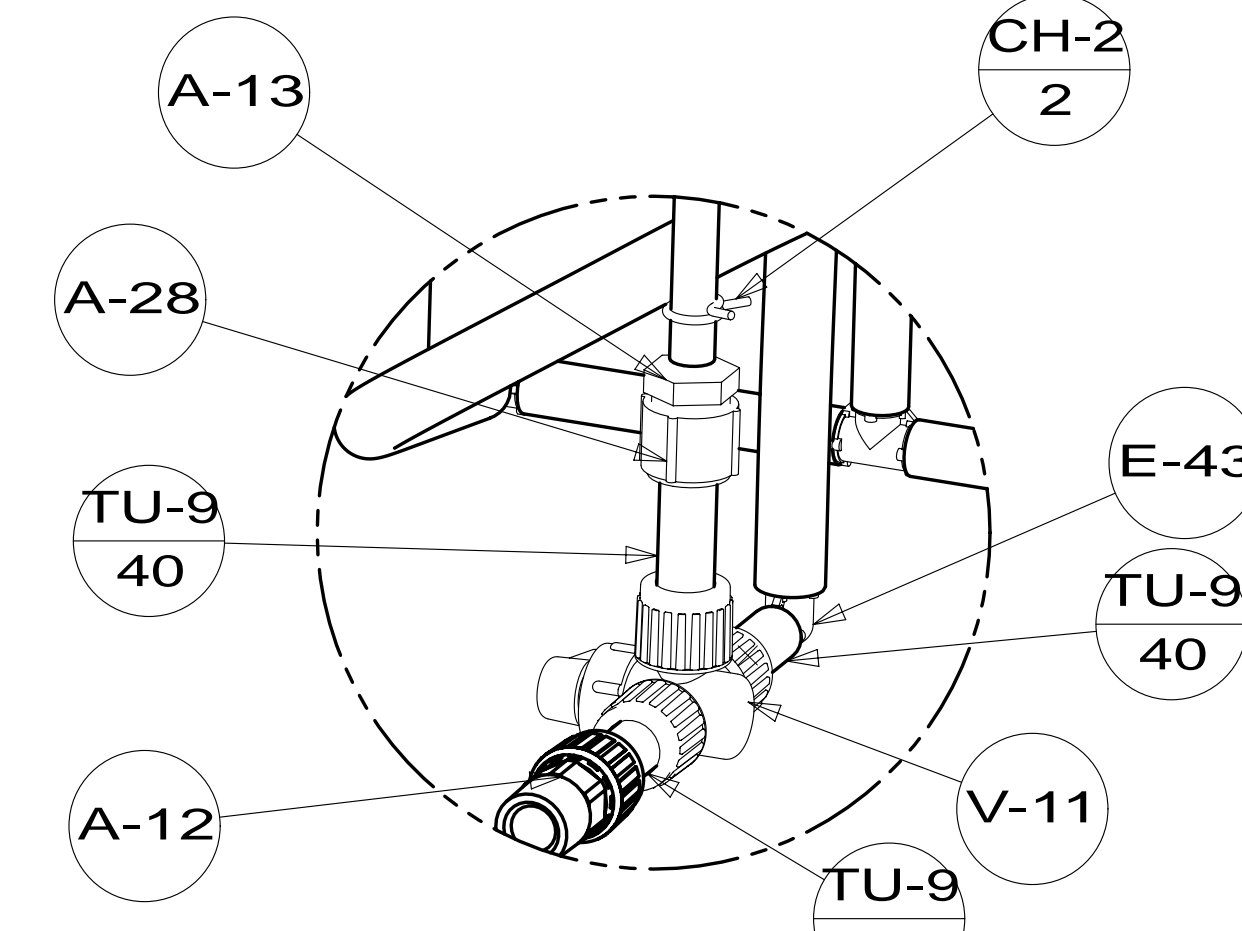
W-2

TU-9
85

TU-9
65

V-22

VIEW F
(SHOWN W/OUT TANKS)

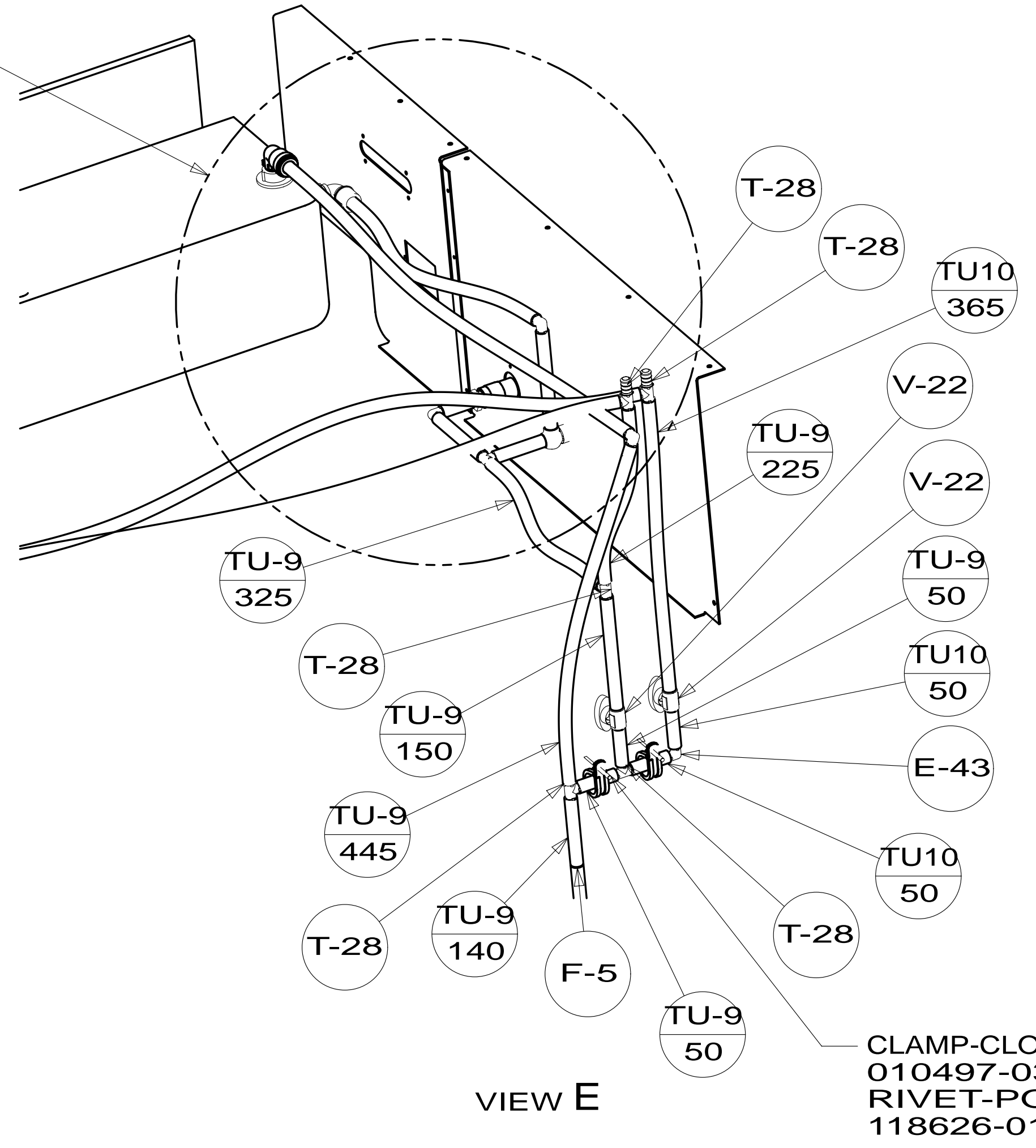


DETAIL G

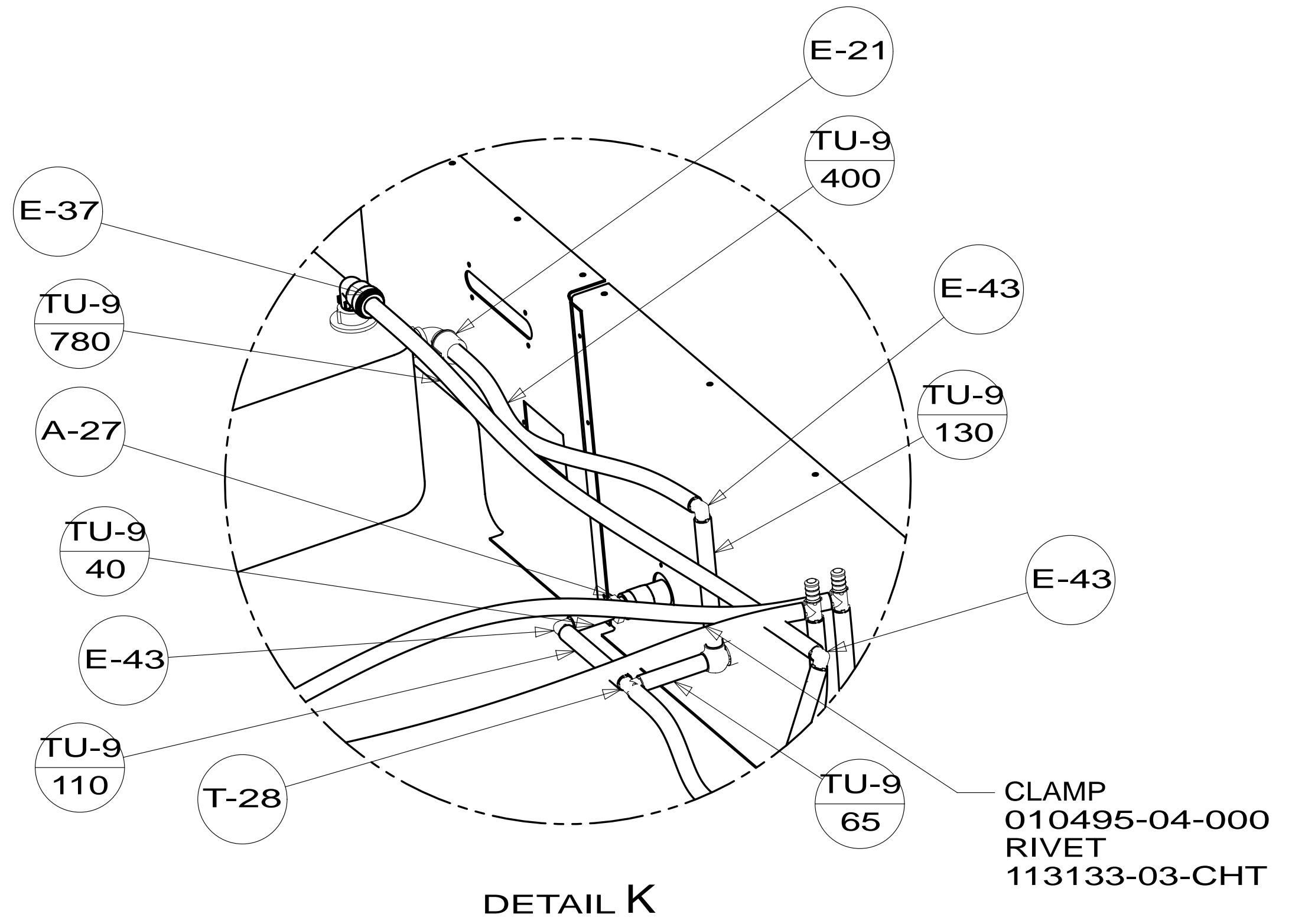
FIRST USED	14 E26HE
TITLE:	DO NOT SCALE DRAWING
	WATER SYSTEM INSTL
SHEET 3	PART NO 185468 REV
	11-Apr-2014

* 185468 * A

DETAIL K



VIEW E



DETAIL K

FIRST USED	14 E26HE	
TITLE:	DO NOT SCALE DRAWING	
TITLE:	WATER SYSTEM INSTL	
SHEET 4	PART NO 185468	REV
		11-Apr-2014

* 185468 * A