

- NOTES:
10. USE SMOOTH PLUMBERS PUTTY 167459-01-000 TO SEAL STRAINER (0.2 PER STRAINER).
  9. APPLY PRIMER 126427-02-000 AND CEMENT 126427-01-000 BETWEEN ELBOW AND FLEX PIPE.
  8. SECURE DRAINAGE PIPES TO CABINET USING WIRE TIE 108046-02-000, AND SCREW 000G67-10-12U AT INTERVALS OF NOT MORE THAN 4 FEET APART.
  7. SECURE VENT PIPE TO TANK WITH CLAMP 062401-02-000.
  6. VENT PIPE MUST PROJECT 51 MIN AND 64 MAX ABOVE ROOF FOR PROPER FIT AND FUNCTION. ADD S-1 (116666-01-CHT SEAL-VENT PIPE) AROUND PIPE ON ROOF BEFORE VENT CAP IS INSTALLED.
  5. SEAL AROUND SHOWER WITH SILICONE.
  4. ATTACH TANK BRACKET TO RISER.
  3. ALL PIPE AND FITTINGS TO BE ASSEMBLED WITH SOLVENT 004020-01-000 (USA), 004020-02-000 (CAN)
  2. SLOPE OF TRAP ARM MUST BE 6 PER 305 mm.
  1. SLOPE OF HORIZONTAL PIPING TO BE MINIMUM OF 3 PER 305 mm.

- 21S WASHER & DRYER-PAIR
- 21M WASHER/DRYER PREP
- 1B1 CODES/STANDARDS-USA
- 265 CODES/STANDARDS-CSA/CMVSS

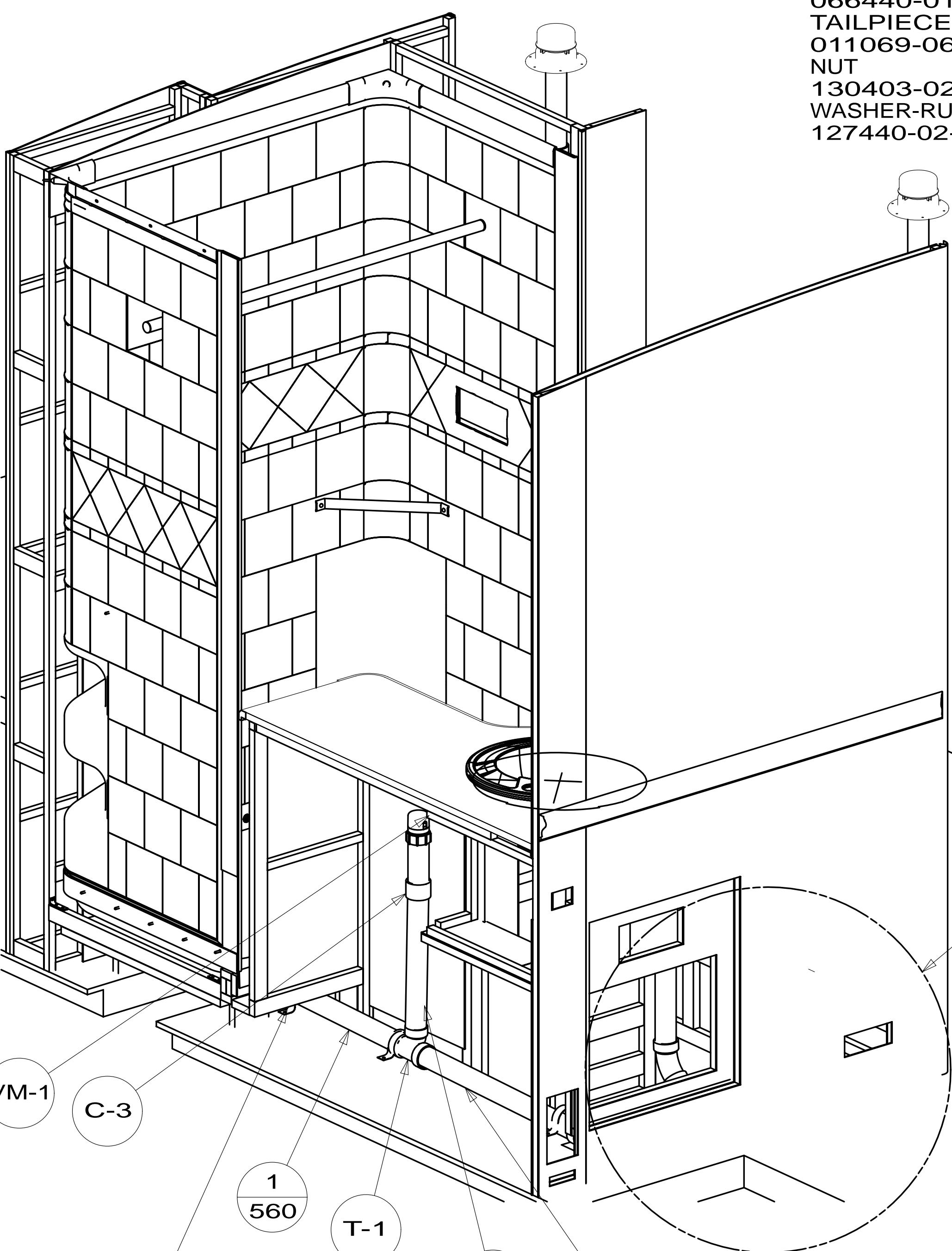
FOR DRAINAGE CALLOUTS SEE DWG NO 116229-01-000

<b>WINNEBAGO</b>		COPYRIGHT 2013 WINNEBAGO INDUSTRIES, INC.	
DFT-ORIG	ORIG. DATE	ALL DIMENSIONS ARE IN MILLIMETERS	
CHKR		FIRST USED	
P.E.		14 D33C	
M.E.		UNSPECIFIED TOLERANCES ARE:	
DSNR		WHOLE DIM (X)	: 3
		ONE-PLACE (X.X)	: 1.5
		TWO-PLACE (X.XX)	: 0.50
		ANGLE	: 1°
		THIRD ANGLE PROJECTION	
DO NOT SCALE DRAWING		REFER TO ES0018 FOR FASTENER TIGHTENING GUIDELINES	
TITLE: DRAINAGE SYSTEM INSTL			
SHEET 1 OF 4	PART NO 183935	REV	
REF:	1	14-Oct-2013	

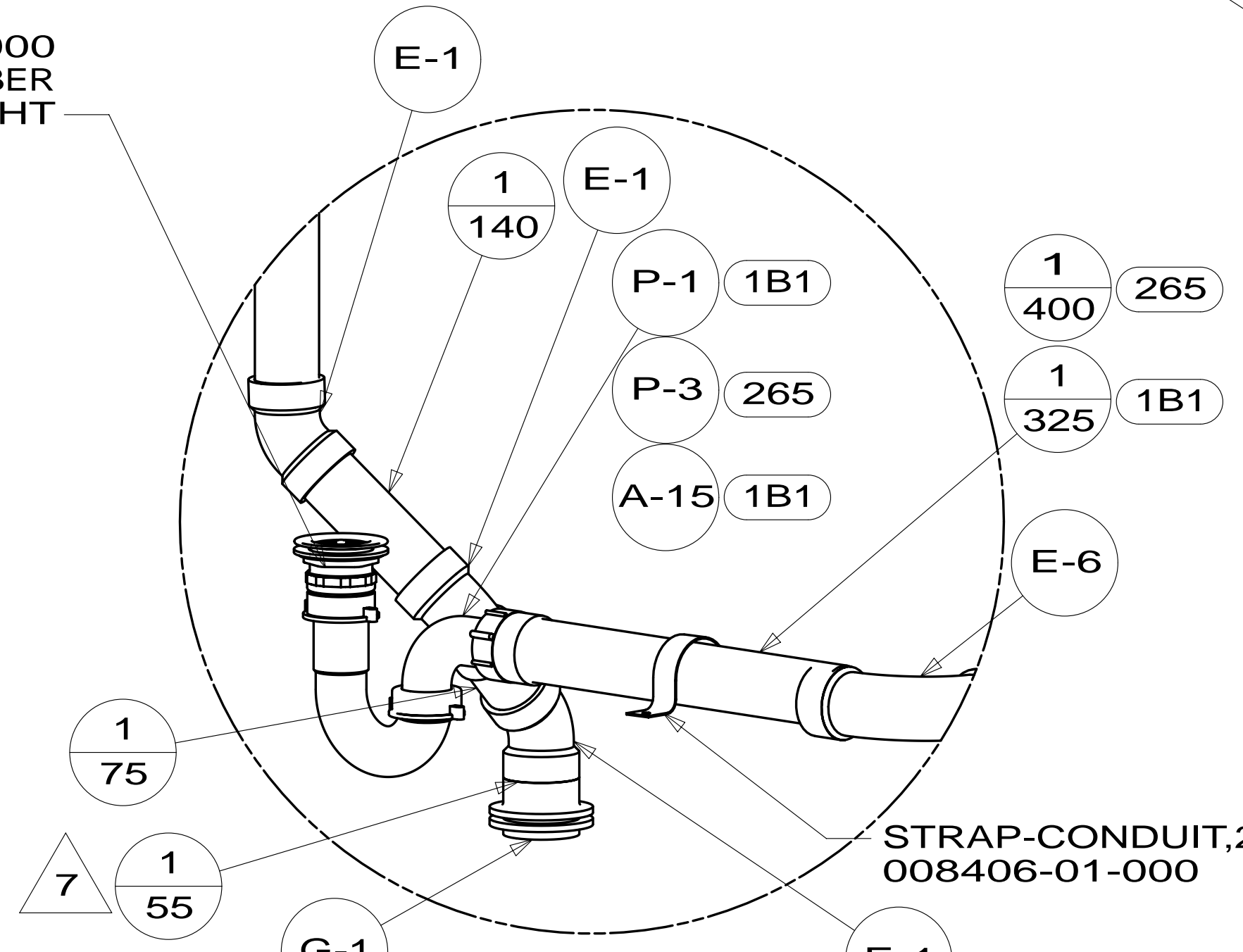
\* 183935 \*

- SHOWER INSTL  
164684-03-000
- STRAINER  
066440-01-000
- TAILPIECE  
011069-06-000
- NUT  
130403-02-000
- WASHER-RUBBER  
127440-02-CHT

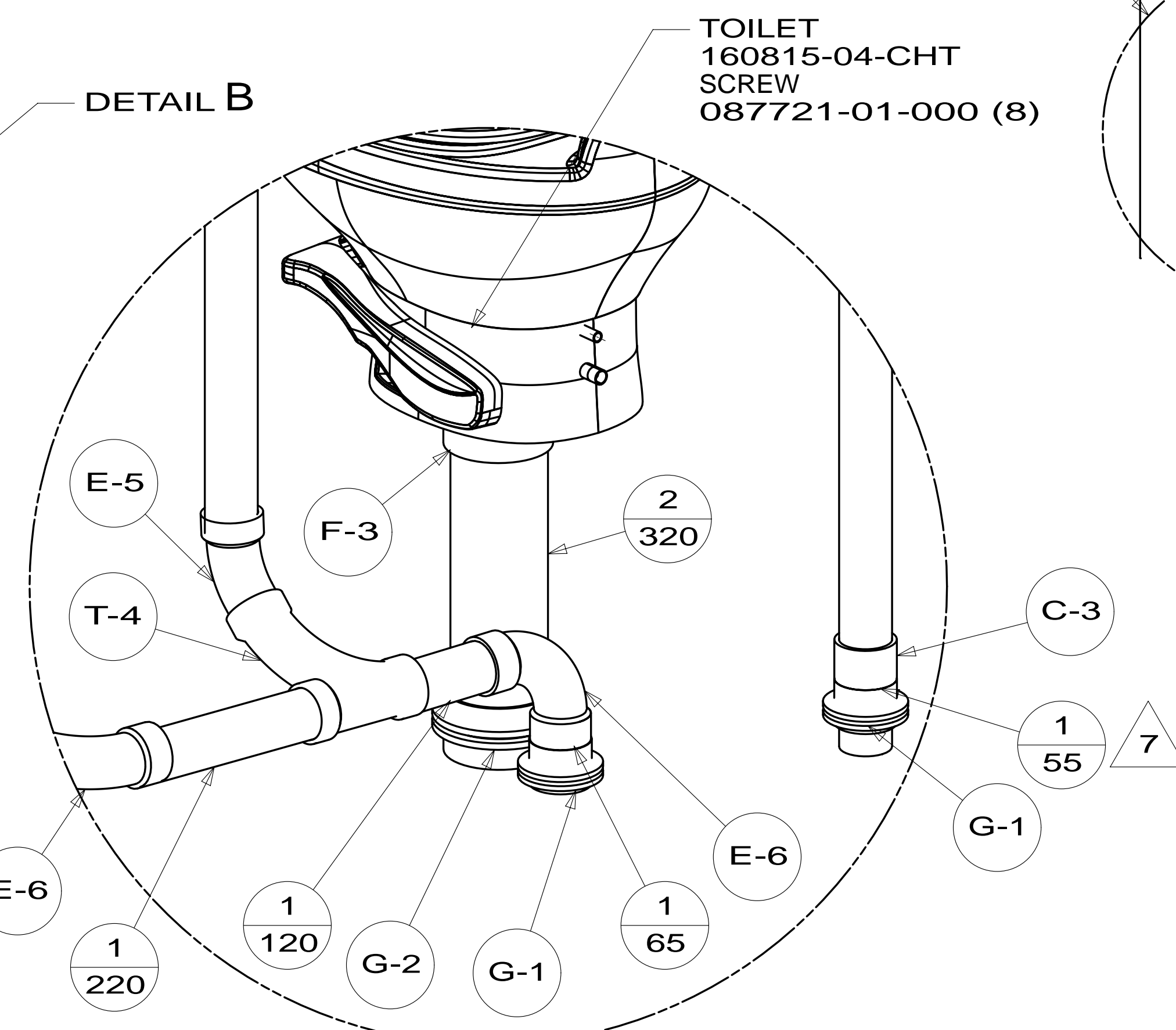
- SINK-LAV  
164615-01-CHT
- SCREW  
000G37-08-10U (6)
- SEAL (A/R)  
106116-01-CHT



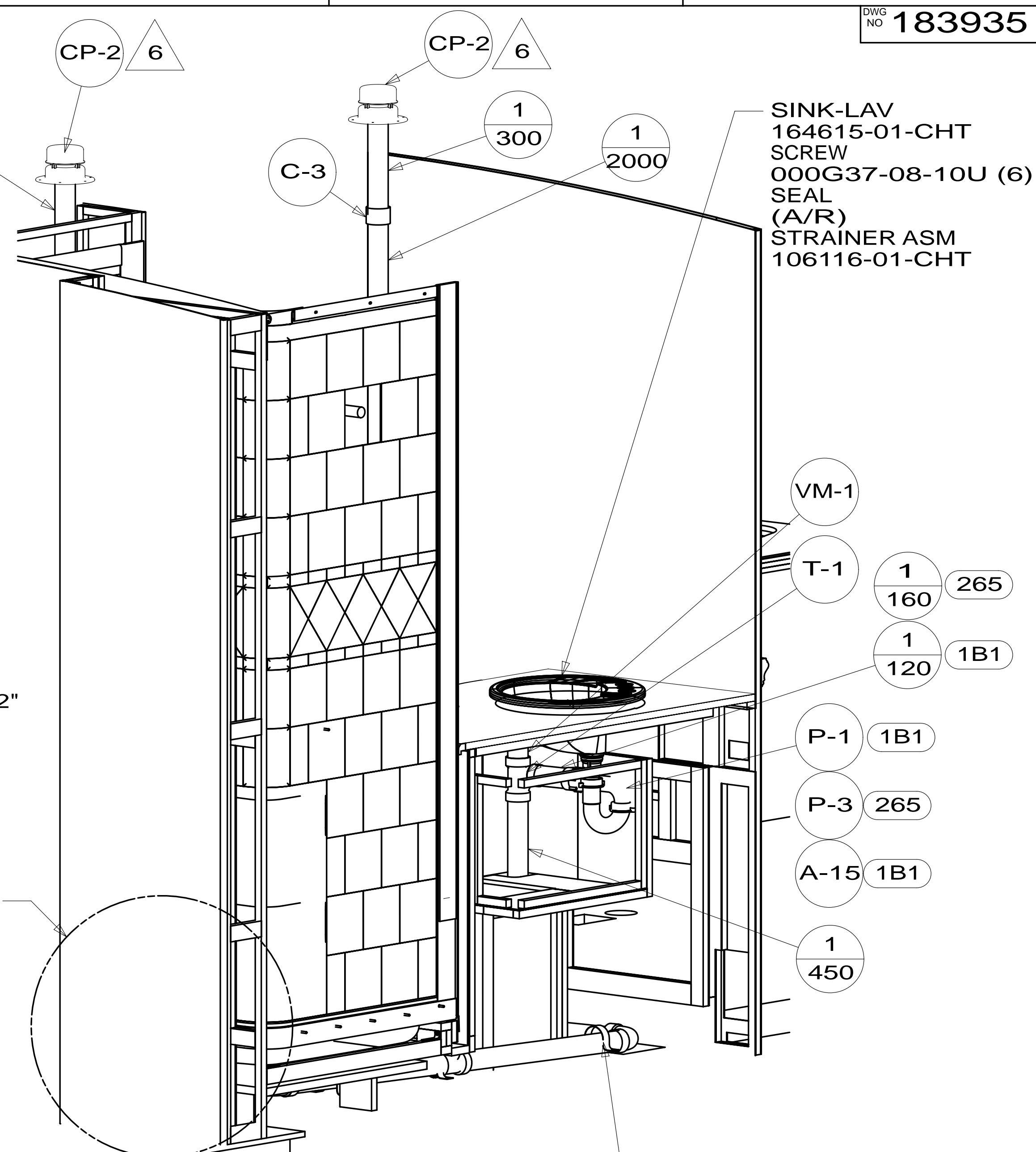
VIEW A



DETAIL D (SHOWN W/OUT SHOWER, CABINETS, AND FLOOR)



DETAIL B (SHOWN W/OUT FLOOR AND CABINETS)



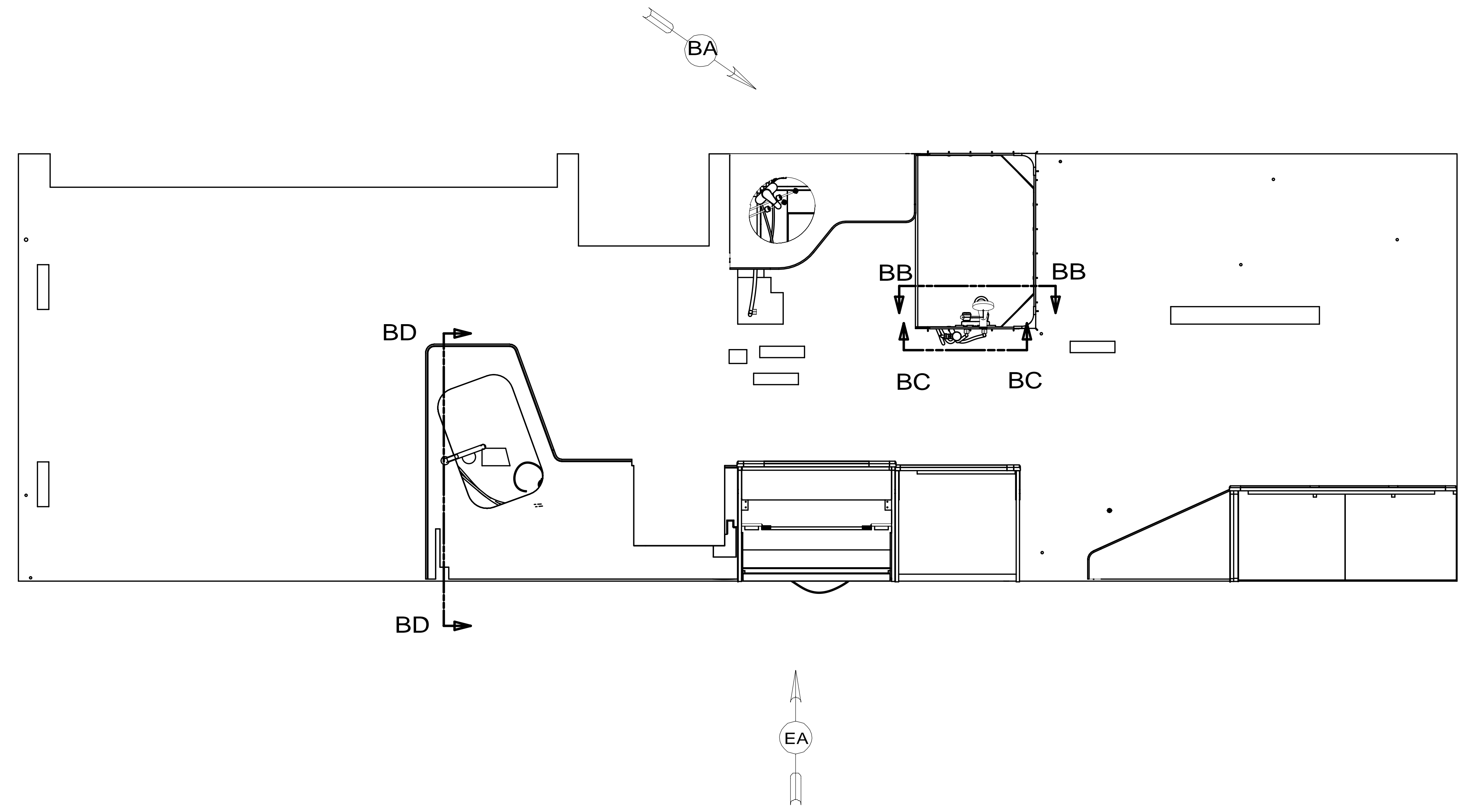
VIEW C

FIRST USED	14 D33C	
TITLE:	DO NOT SCALE DRAWING	
TITLE:	DRAINAGE SYSTEM INSTL	
SHEET 2	PART NO 183935	REV
		14-Oct-2013

\* 183935 \* A







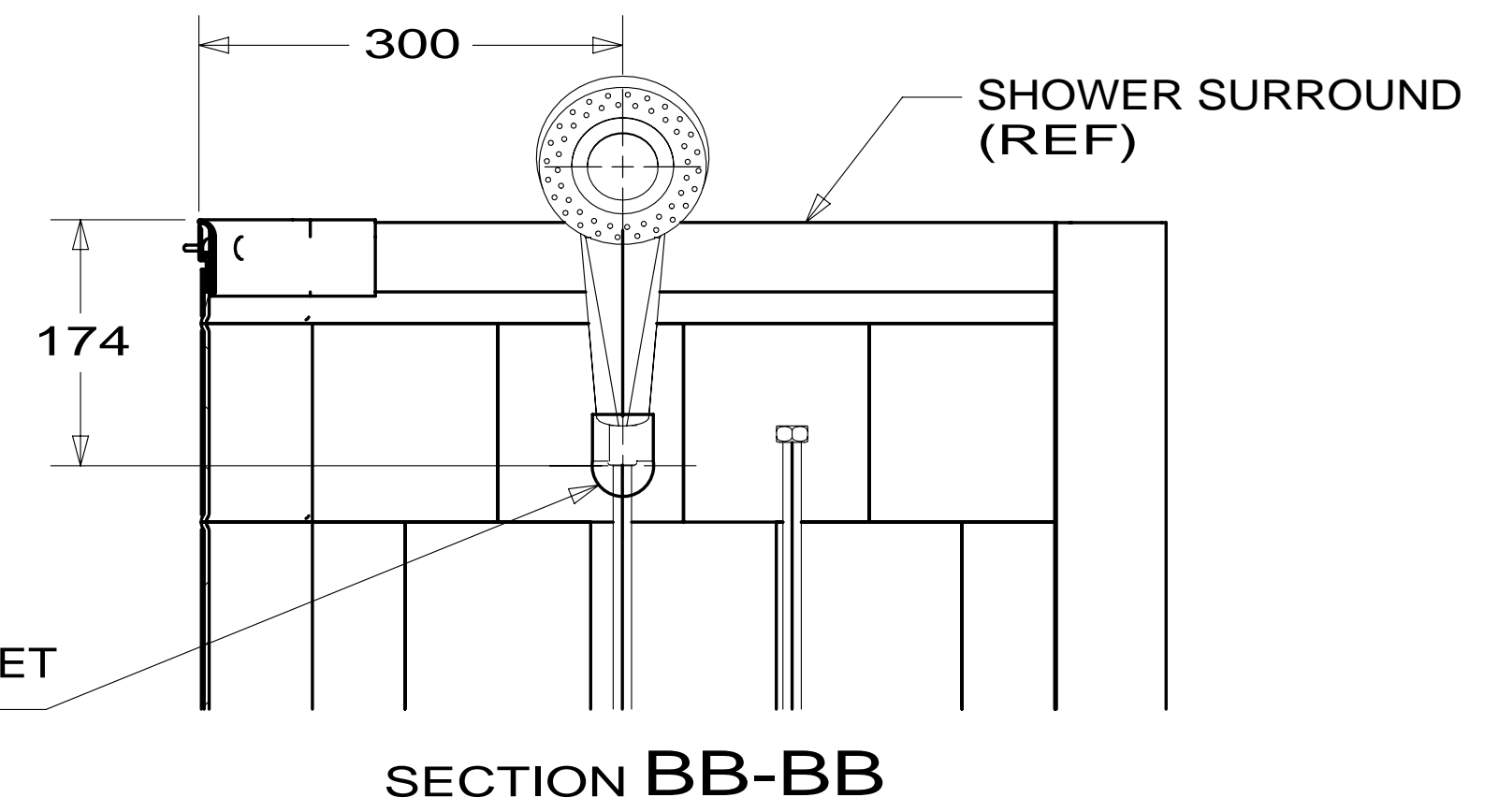
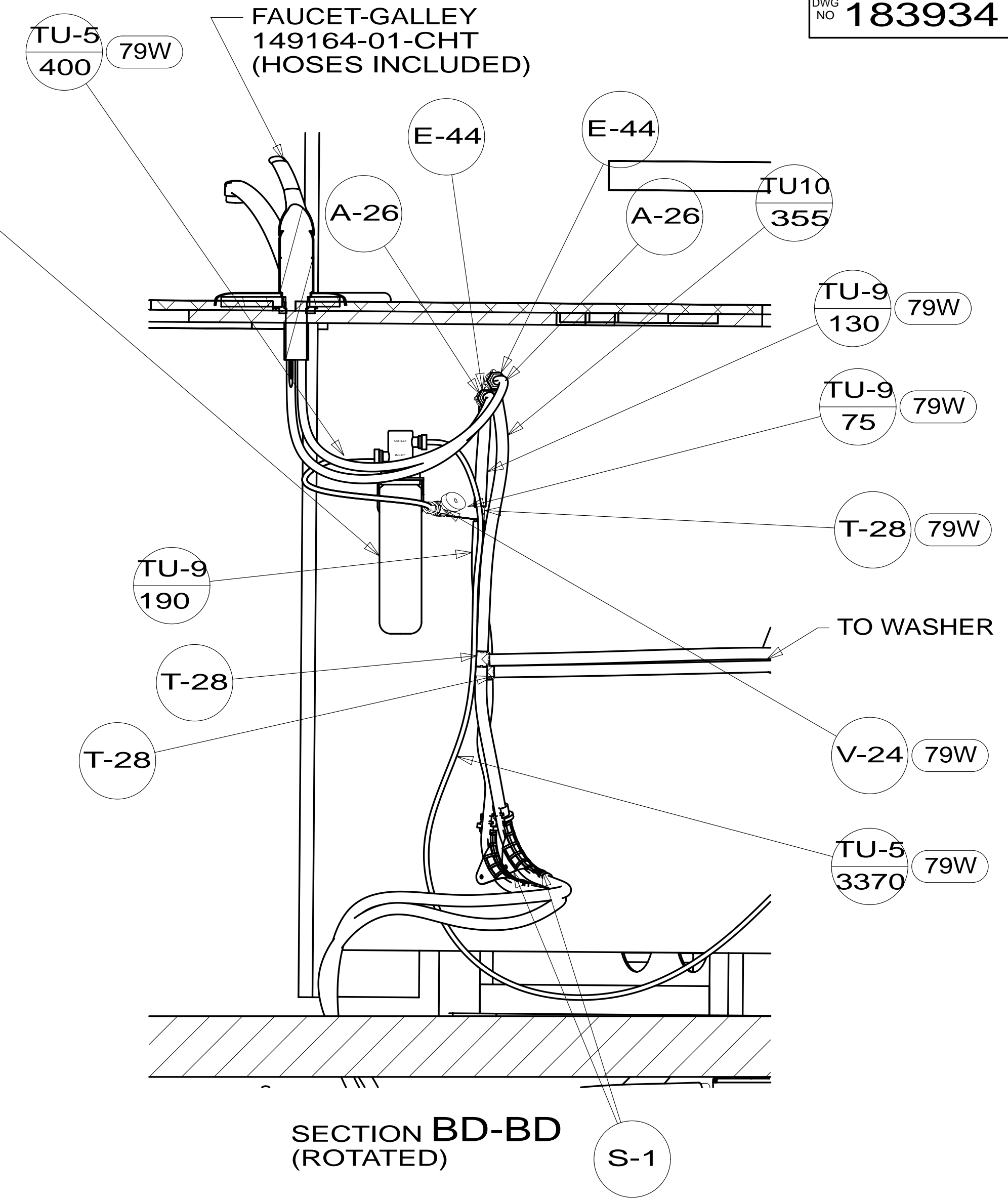
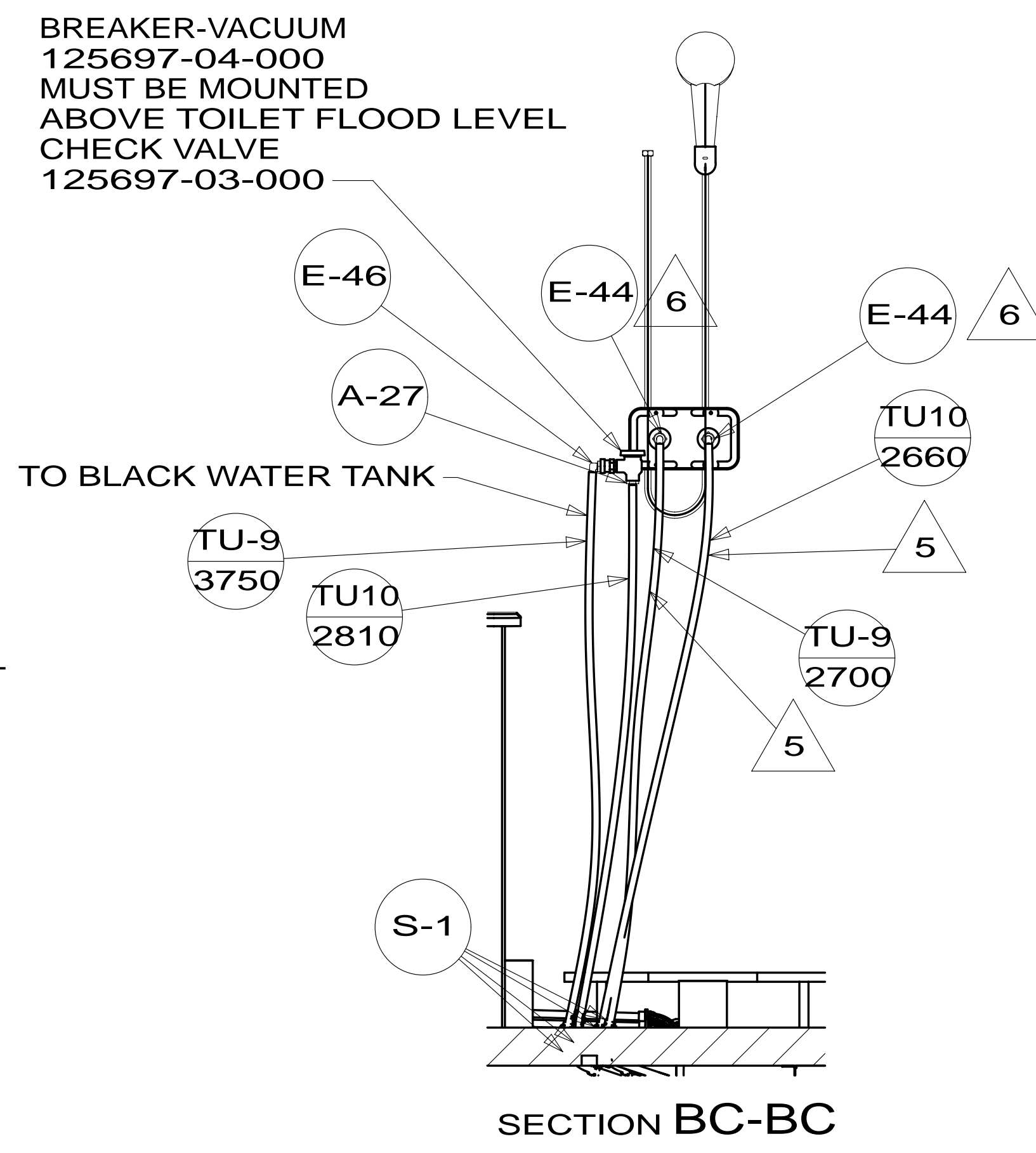
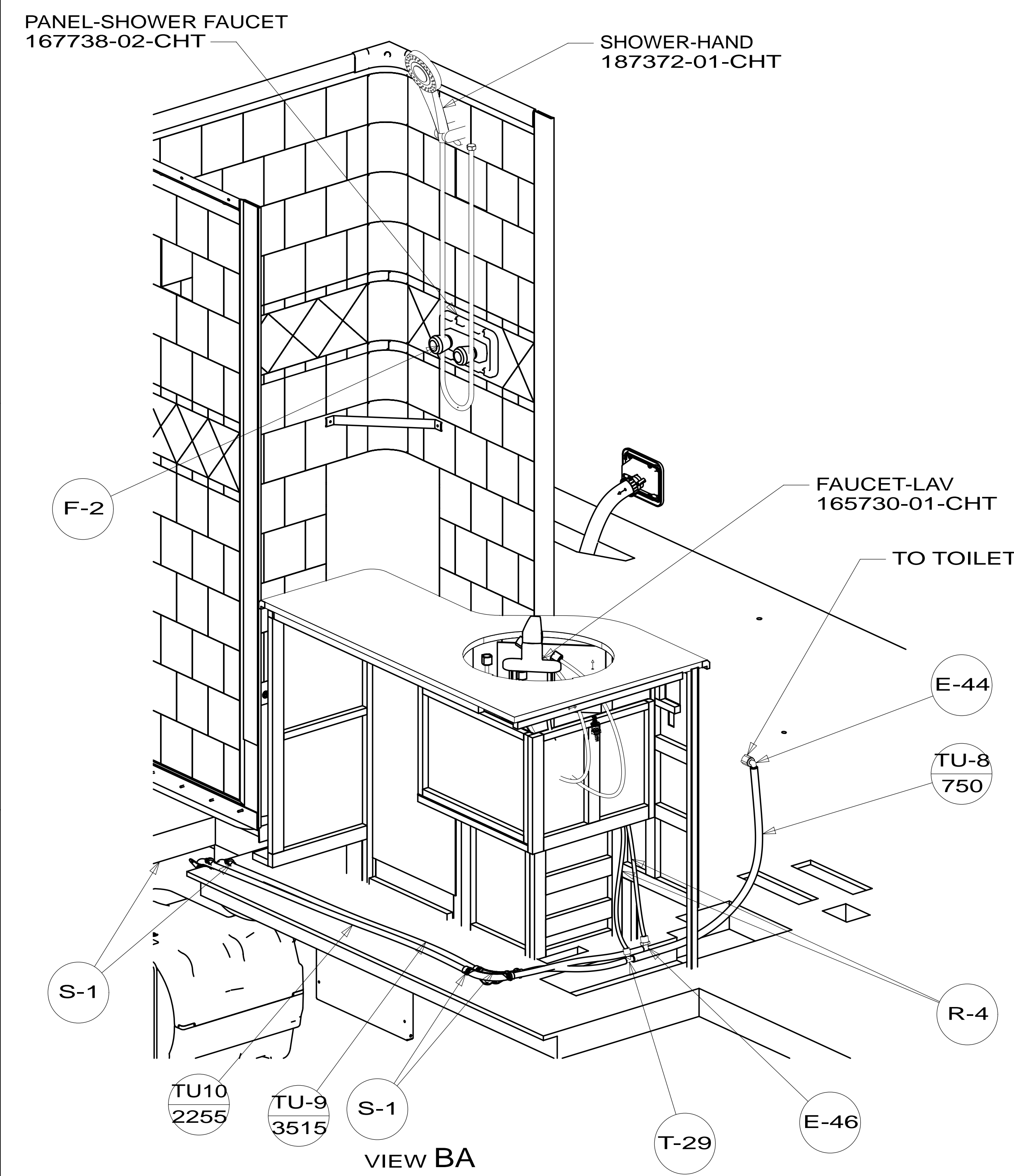
- NOTES:
1. PLASTIC FITTINGS TO BE SEALED WITH SEALANT 084456-01-000.
  2. TUBING TO BE INSTALLED WITH SUFFICIENT SLOPE TO PROVIDE DRAINAGE TO NEAREST VALVE.
  3. ALL TUBING TO BE SECURED AT 1200 INTERVALS MAXIMUM WITH CLAMP 010495-01-000 AND SCREW 000G67-10-12U OR EQUIVALENT.
  4. ADD TEFLON TAPE 010405-02-000.
  5. ADD PIPE WRAP (LADDER SCRAP 110157-02-000) INSULATION.
  6. LABEL HOT AND COLD SUPPLY TUBES AND TAPE FITTING TO TUBE BEFORE CABINET SET TO PREVENT MOVEMENT.
  7. ALL CRIMP FITTINGS TO 5/8" PEX TUBING REQUIRE 5/8" CLAMP 140171-04-000.
  8. ALL CRIMP FITTINGS TO 1/2" PEX TUBING REQUIRE 1/2" CLAMP 140171-03-000.
  9. ALL CRIMP FITTINGS TO 3/4" PEX TUBING REQUIRE 3/4" CLAMP 140171-05-000.

- (21M) WASHER/DRYER PREP
- (21S) WASHER & DRYER-PAIR
- (79W) REFRIGERATOR-4 DOOR
- (144) REFRIGERATOR-DOUBLE DOOR

		COPYRIGHT 2014 WINNEBAGO INDUSTRIES, INC.
DFT-ORIG	ORIG. DATE	
CHKR	ALL DIMENSIONS ARE IN MILLIMETERS	
P.E.		
M.E.	FIRST USED	
DSNR	14 D33C	
UNSPECIFIED TOLERANCES ARE:		MATERIAL:
WHOLE DIM (X)	: 3	
ONE-PLACE (X.X)	: 1.5	
TWO-PLACE (X.XX)	: 0.50	
ANGLE	: 1°	
THIRD ANGLE PROJECTION		
DO NOT SCALE DRAWING		REFER TO ES0018 FOR FASTENER TIGHTENING GUIDELINES
TITLE: WATER SYSTEM INSTL		
SHEET 1 OF 5	PART NO 183934	REV
REF:	1	02-May-2014

FOR WATER CALLOUTS SEE DWG NO 116230-01-000

\* 183934 \* A



FIRST USED	14 D33C		
TITLE:	DO NOT SCALE DRAWING		
TITLE:	WATER SYSTEM INSTL		
SHEET 2	PART NO	183934	REV
			02-May-2014

\*183934 \*A



WATER HEATER  
145541-01-000  
DOOR  
125420-03-CHT  
AL EXTR  
165959-51-002(2)  
165959-51-004(2)  
SCREW  
000G39-10-16U(18)  
SEALANT  
CABLE ASM  
076767-03-000  
SCREW  
000G11-06-08U(2)

PANEL-SERVICE CENTER  
150123-23-CHT

PANEL-SERVICE CENTER  
150122-08-CHT

PANEL-ACCESS,10GAL  
161482-05-CHT

FLUSHING SYSTEM  
125697-05-000  
SCREW  
000G11-08-12U(2)

CLAMP  
010495-04-000 (3)  
RIVET  
113133-03-CHT (3)

CLIP-GRIPPER  
091952-03-000

VIEW DA

DETAIL DD

SECTION DB-DB

DETAIL DD

VIEW DC

FIRST USED	14 D33C
DO NOT SCALE DRAWING	
TITLE: WATER SYSTEM INSTL	
SHEET 4	PART NO 183934 REV
02-May-2014	

\*183934 \*A



8

7

6

5

4

3

2

1

D

D

C

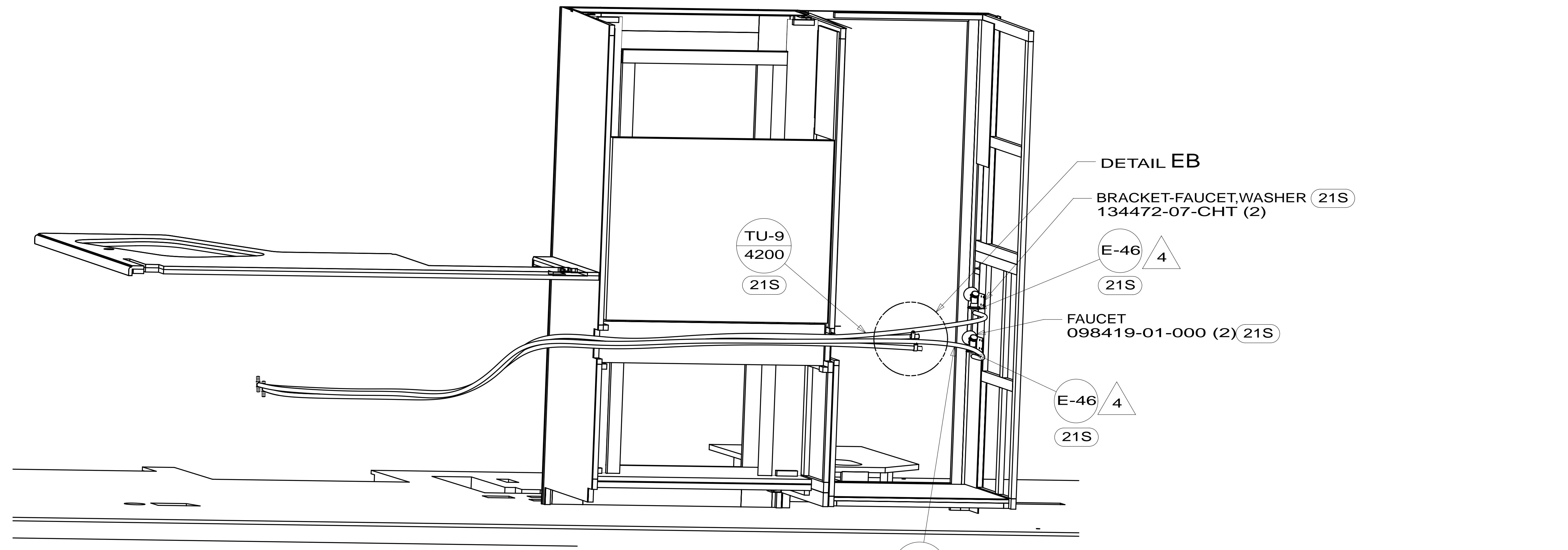
C

B

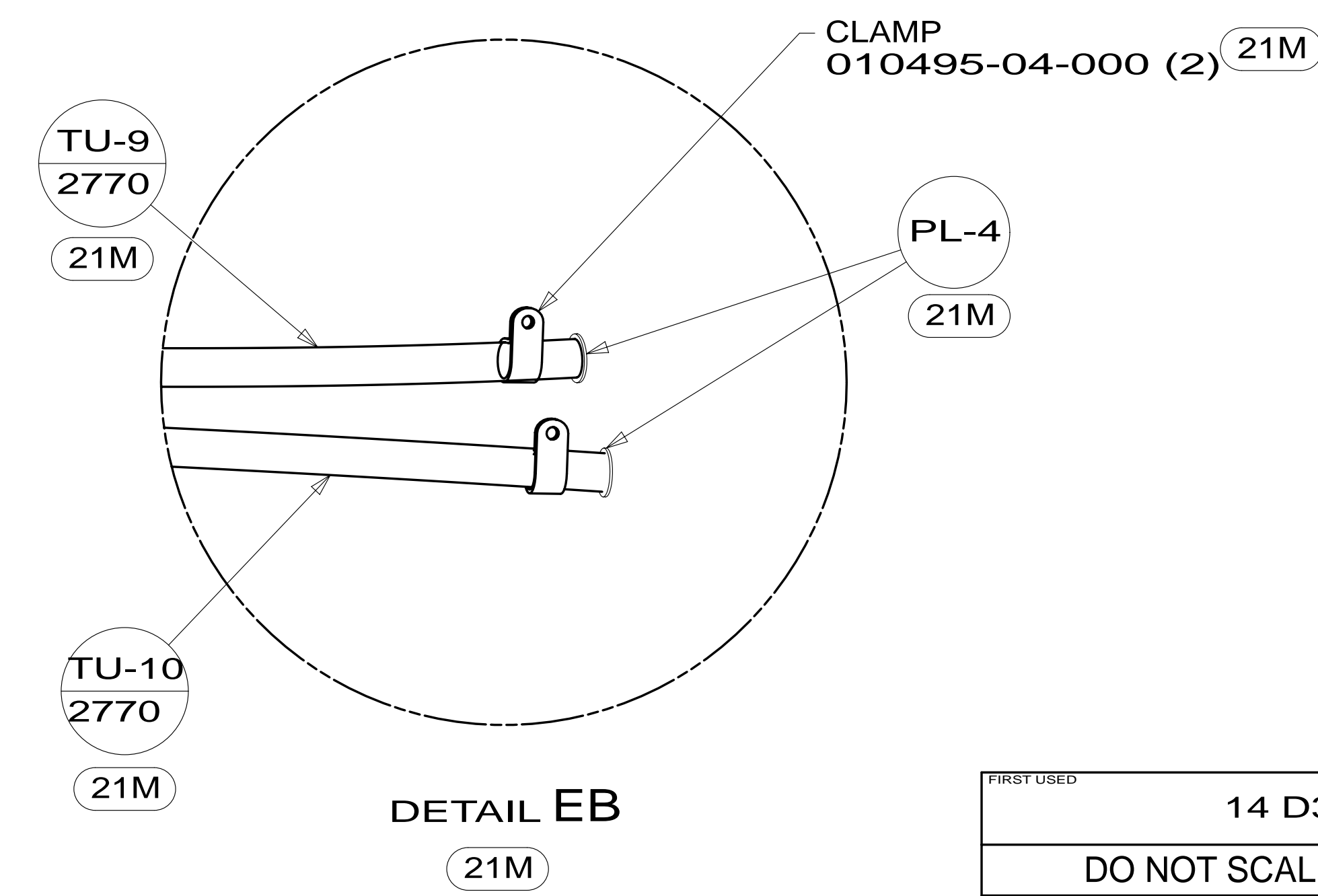
B

A

A



VIEW EA



FIRST USED	14 D33C		
TITLE:	DO NOT SCALE DRAWING		
	WATER SYSTEM INSTL		
SHEET 5	PART NO	183934	REV
	1		02-May-2014

\*183934 \*A