

9. SEE DRAWING 061607 FOR INSTALLATION OF GROMMETS.
8. SECURE DRAINAGE PIPES TO CABINET USING WIRE TIE 108046-02-000, AND SCREW 000G67-10-12U AT INTERVALS OF NOT OF NOT MORE THAN 4 FEET APART.
7. SECURE VENT PIPE TO FLOOR WITH CLAMP 062401-02-000 (2), SCREW 000G67-10-12U (2), BRACKET 136878-01-CHT (2).
6. VENT PIPE MUST PROJECT 51 MIN AND 64 MAX ABOVE ROOF FOR PROPER FIT AND FUNCTION. ADD S-1 (116666-01-CHT SEAL-VENT PIPE) AROUND PIPE ON ROOF BEFORE VENT CAP IS INSTALLED.
5. SEAL AROUND SHOWER WITH SILICONE.
4. USE SMOOTH PLUMBERS PUTTY 167459-01-000 TO SEAL STRAINER (0.2 PER STRAINER).
3. ALL PIPE AND FITTINGS TO BE ASSEMBLED WITH SOLVENT 004020-01-000 (USA), 004020-02-000 (CAN)
2. SLOPE OF TRAP ARM MUST BE 6 PER 305 mm.
1. SLOPE OF HORIZONTAL PIPING TO BE MINIMUM OF 3 PER 305 mm.

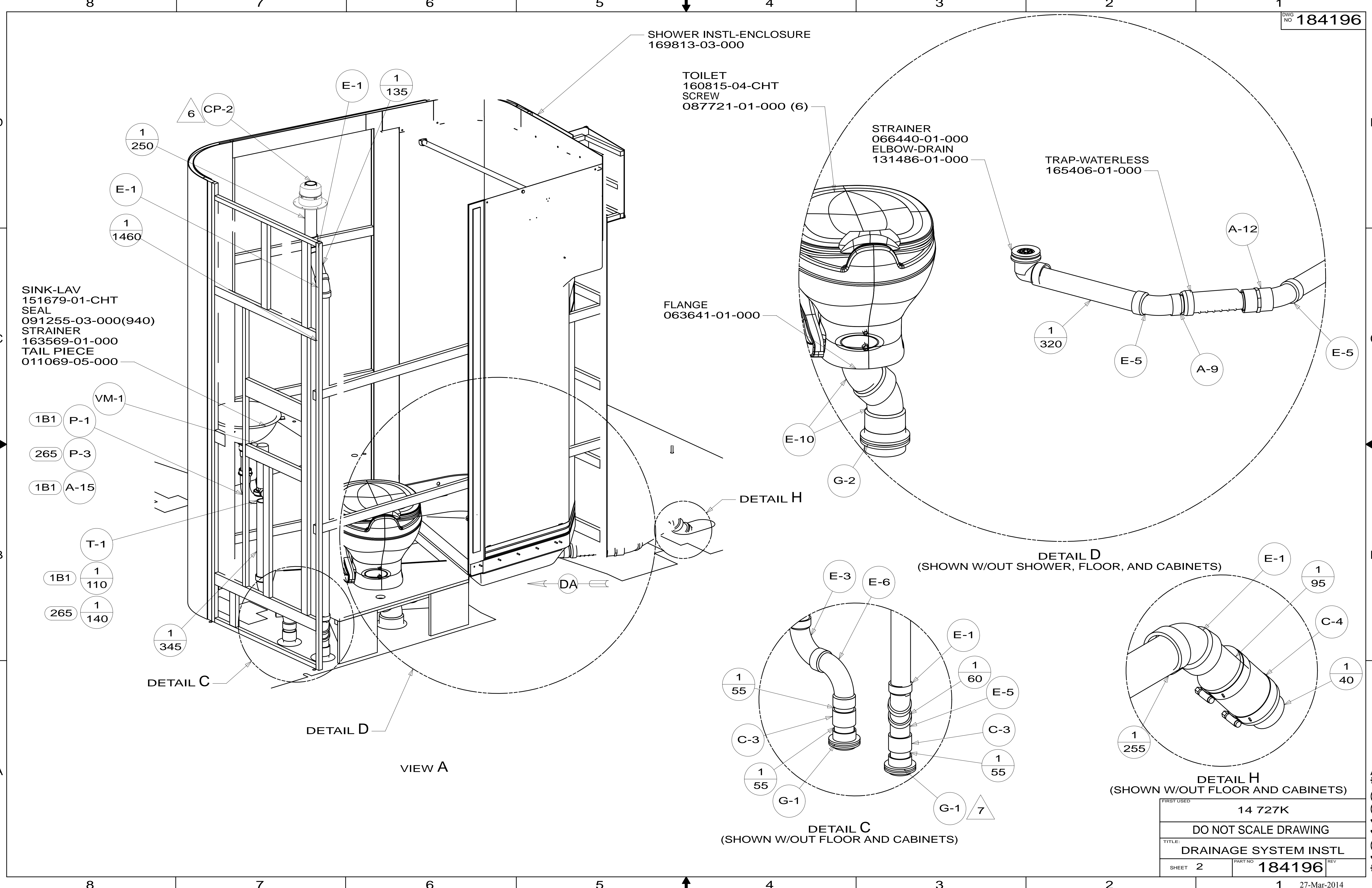
NOTES:

- (265) CODES/STANDARDS-CSA/CMVSS
- (23T) DRAINAGE SYSTEM-HEATED
- (1B1) CODES/STANDARDS USA

		COPYRIGHT 2014 WINNEBAGO INDUSTRIES, INC.
DFT-ORIG	ORIG. DATE	
CHKR	ALL DIMENSIONS ARE IN MILLIMETERS	
P.E.		
M.E.	FIRST USED	
DSNR	14 727K	
UNSPECIFIED TOLERANCES ARE:		MATERIAL:
WHOLE DIM (X)	: 3	
ONE-PLACE (X.X)	: 1.5	
TWO-PLACE (X.XX)	: 0.50	
ANGLE	: 1°	
THIRD ANGLE PROJECTION		
DO NOT SCALE DRAWING		REFER TO ES0018 FOR FASTENER TIGHTENING GUIDELINES
TITLE: DRAINAGE SYSTEM INSTL		
SHEET 1 OF 4	PART NO	184196
REF:	1	27-Mar-2014

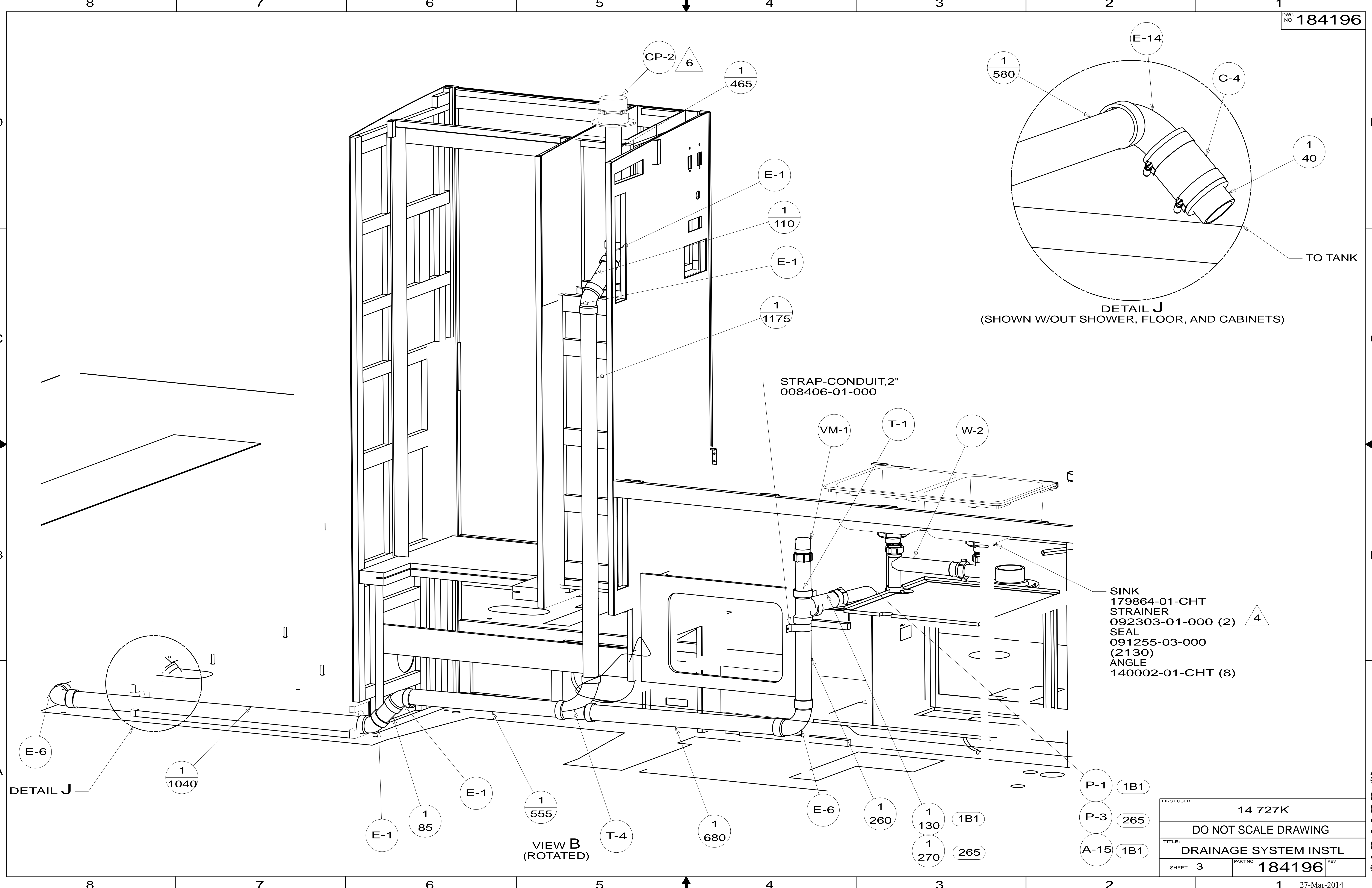
FOR DRAINAGE CALLOUTS SEE DWG NO 116229-01-000

* 184196 * A



FIRST USED	14 727K	
TITLE:	DO NOT SCALE DRAWING	
TITLE:	DRAINAGE SYSTEM INSTL	
SHEET 2	PART NO	184196
	REV	

* 184196 * A



DETAIL J
(SHOWN W/OUT SHOWER, FLOOR, AND CABINETS)

STRAP-CONDUIT, 2"
008406-01-000

SINK
179864-01-CHT
STRAINER
092303-01-000 (2) Δ 4
SEAL
091255-03-000
(2130)
ANGLE
140002-01-CHT (8)

VIEW B
(ROTATED)

DETAIL J

FIRST USED	14 727K	
TITLE:	DO NOT SCALE DRAWING	
TITLE:	DRAINAGE SYSTEM INSTL	
SHEET 3	PART NO	184196
	REV	

* 184196 * A

FRONT AXLE

VEHICLE

GROMMET
071015-26-000

GROMMET
071015-26-000

TANK-HOLDING
180803-02-000

TANK-HOLDING
175551-02-000

1222

2006

4443

DATUM

87

76

1498

SHOWING TANKS AND DRAINS ONLY

PIPE COVER
(REF)

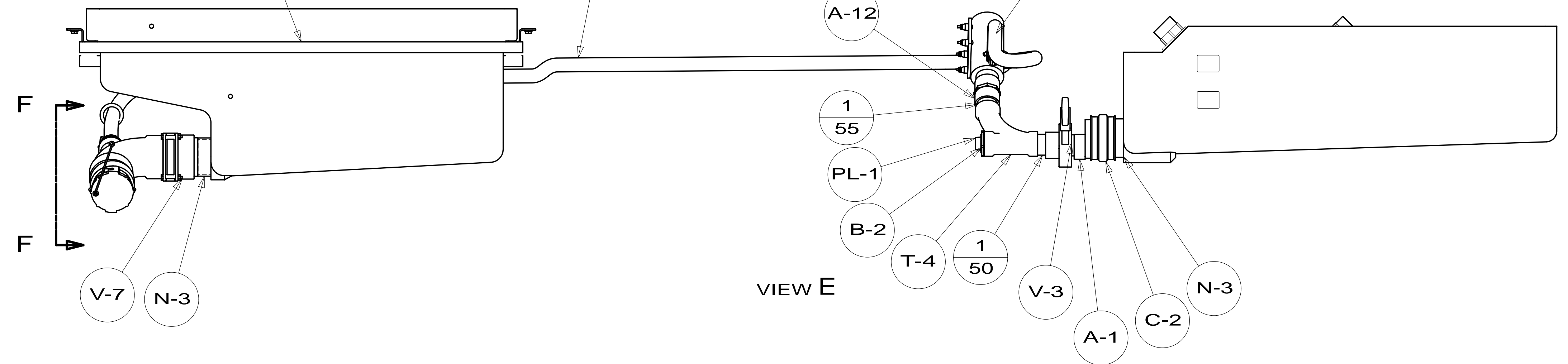
CRADLE ASM
156612-08-CHT
WASHER
000E13-16-00B (4)
NUT
000D39-05-00B (4)

HOSE
177021-01-000
(3500)
(WIRE TIE MACERATOR PUMP
HOSE UP TO THE CHASSIS
FRAME ASM)

PUMP-MACERATOR
165762-02-000
CLAMP
062401-01-000
SCREW
000G19-10-20U(4)
WASHER
000E13-11-00U(8)
NUT
000D24-10-00U(4)

295

VIEW DA



VIEW E

CLAMP
062401-01-000

ADAPTER
170876-01-000

ELBOW
170414-01-000

SECTION F-F

2
60

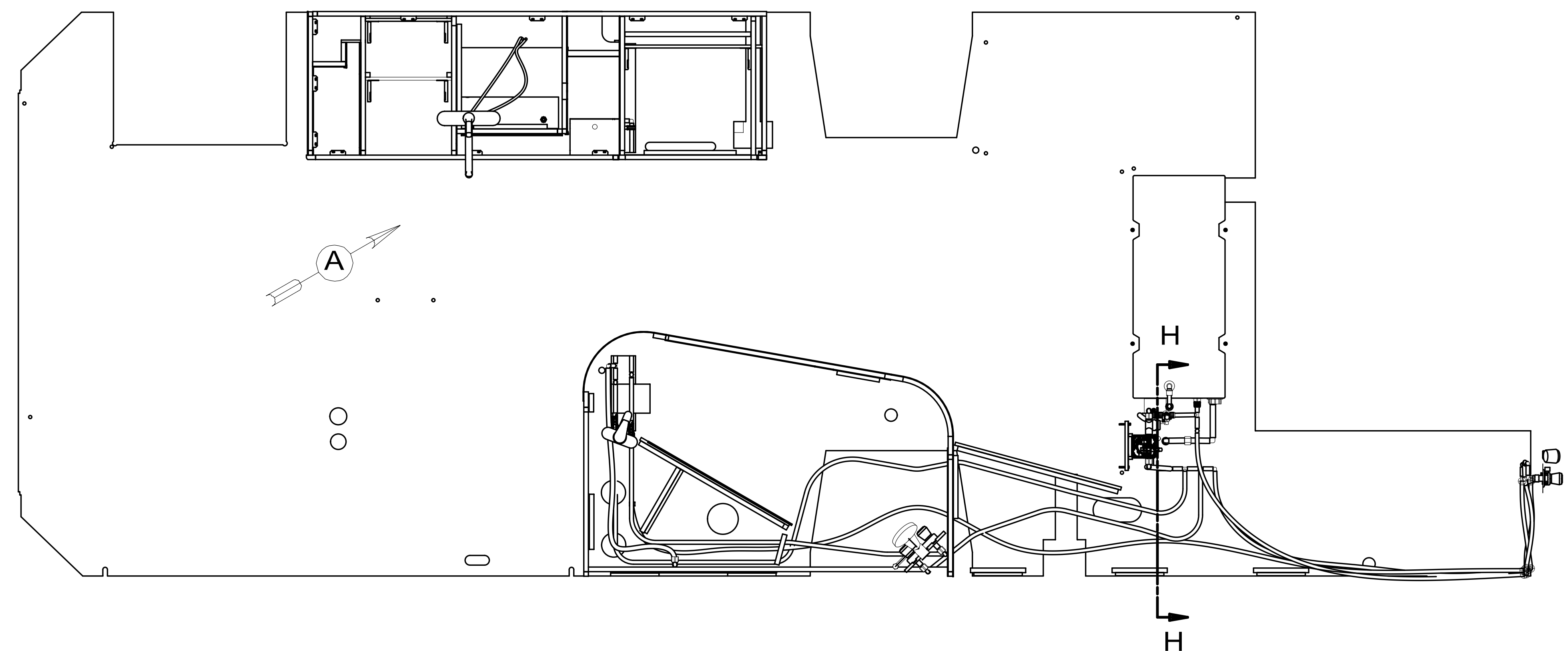
A-4

H-1

644

FIRST USED	14 727K	
TITLE:	DO NOT SCALE DRAWING	
TITLE:	DRAINAGE SYSTEM INSTL	
SHEET 4	PART NO 184196	REV
		27-Mar-2014

* 184196 * A



- (1BT) WATER HEATER-TANKLESS
- (53F) WATER HEATER-ELEC. IGNITION
- (53B) WTR HTR-6 GAL ELECTRIC/LP GAS
- (29B) WATER PURIFIER
- (501) WATER PURIFIER-WITHOUT
- (53E) WATER SYS WINTERIZATION PKG
- (64R) EXTERIOR WASH STATION
- (1H6) AIR SPRINGS-WITHOUT

9. ALL CRIMP FITTINGS TO 3/4" PEX TUBING REQUIRE 3/4" CLAMP 140171-05-000.
8. ALL CRIMP FITTINGS TO 1/2" PEX TUBING REQUIRE 1/2" CLAMP 140171-03-000.
7. ALL CRIMP FITTINGS TO 5/8" FLEX TUBING REQUIRE 5/8" CLAMP 140171-04-000.
6. LABEL HOT AND COLD SUPPLY TUBES AND TAPE FITTING TO TUBE BEFORE CABINET SET TO PREVENT MOVEMENT.
5. ADD PIPE WRAP (LADDER SCRAP 110157-02-000) INSULATION.
4. ADD TEFLON TAPE 010405-02-000.
3. ALL TUBING TO BE SECURED AT 1200 INTERVALS MAXIMUM WITH CLAMP 010495-01-000 AND SCREW 000G67-10-12U OR EQUIVALENT.
2. TUBING TO BE INSTALLED WITH SUFFICIENT SLOPE TO PROVIDE DRAINAGE TO NEAREST VALVE.
1. PLASTIC FITTINGS TO BE SEALED WITH SEALANT 084456-01-000.

NOTES:

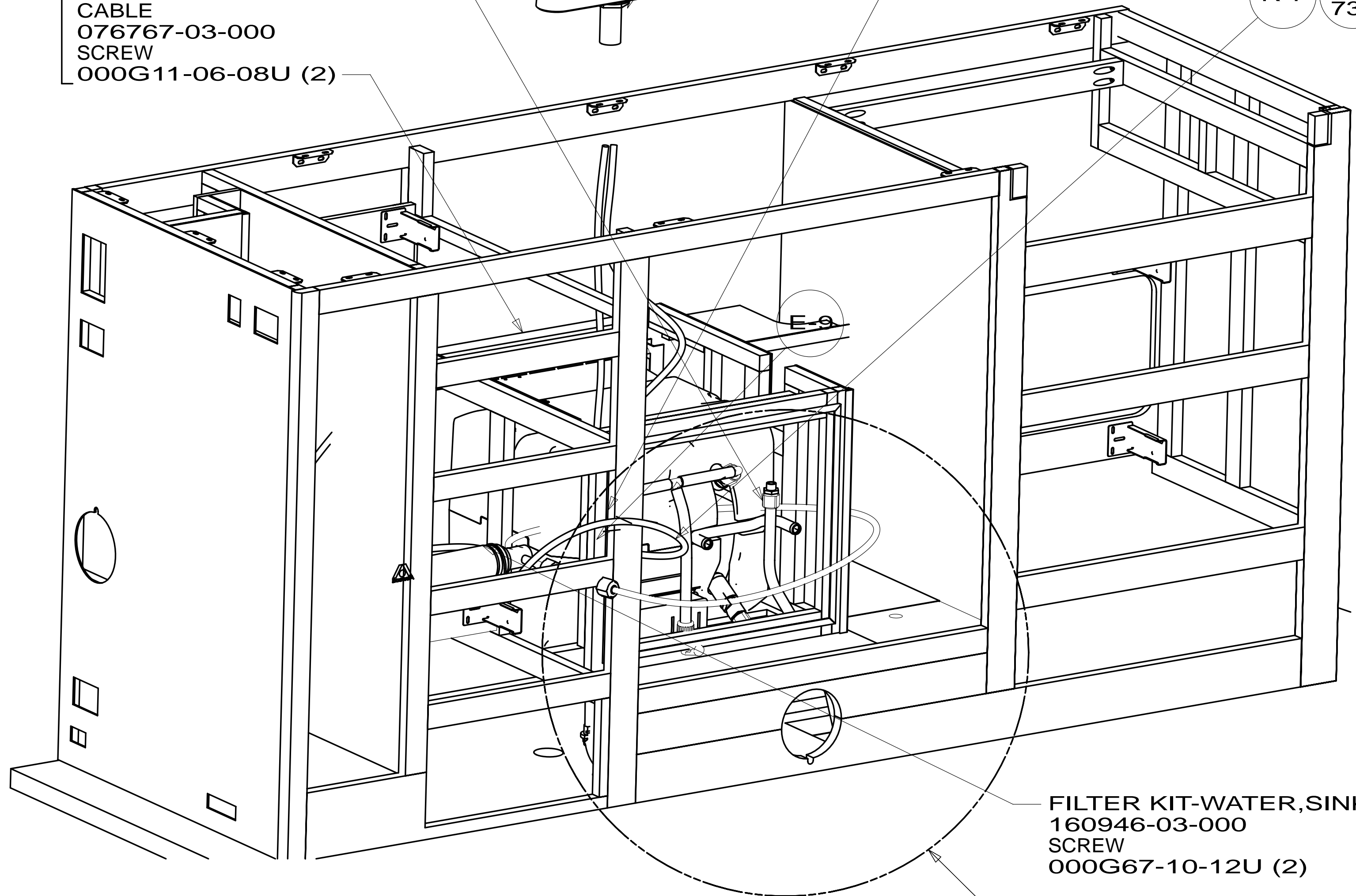
		COPYRIGHT 2014 WINNEBAGO INDUSTRIES, INC.	
DFT-ORIG	ORIG. DATE	ALL DIMENSIONS ARE IN MILLIMETERS	
CHKR			
P.E.			
M.E.	FIRST USED		
DSNR		14 727K	
UNSPECIFIED TOLERANCES ARE:		MATERIAL:	
WHOLE DIM (X)	: 3		
ONE-PLACE (X.X)	:		
TWO-PLACE (X.XX)	:		
ANGLE	:		
THIRD ANGLE PROJECTION			
DO NOT SCALE DRAWING		REFER TO ES0018 FOR FASTENER TIGHTENING GUIDELINES	
TITLE: WATER SYSTEM INSTL			
SHEET 1 OF 4	PART NO	184200	REV
REF:	1	02-May-2014	

(X-X)
 FOR WATER CALLOUTS SEE DWG NO 116230-01-000

* 184200 * A

- WATER HEATER
145541-02-000
- DOOR
125420-06-CHT
- FLANGE
152239-01-CHT
- EXTR
165959-51-002(2)
- 165959-51-004(2)
- SCREW
000G39-10-16U (16)
- SEALANT
069640-14-000
- 112864-01-000
- CABLE
076767-03-000
- SCREW
000G11-06-08U (2)

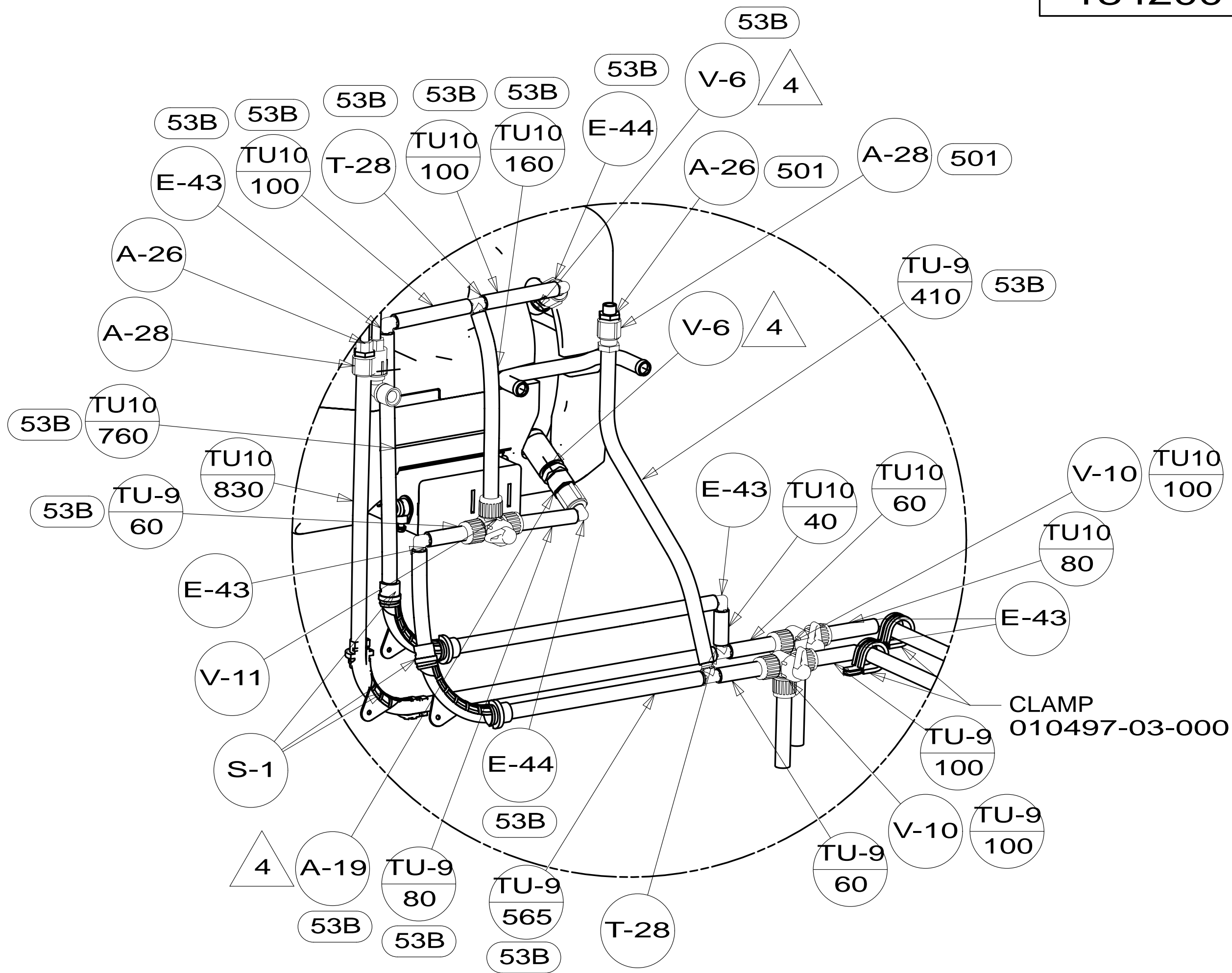
FAUCET-GALLEY,SGL CONTROL
149164-01-CHT



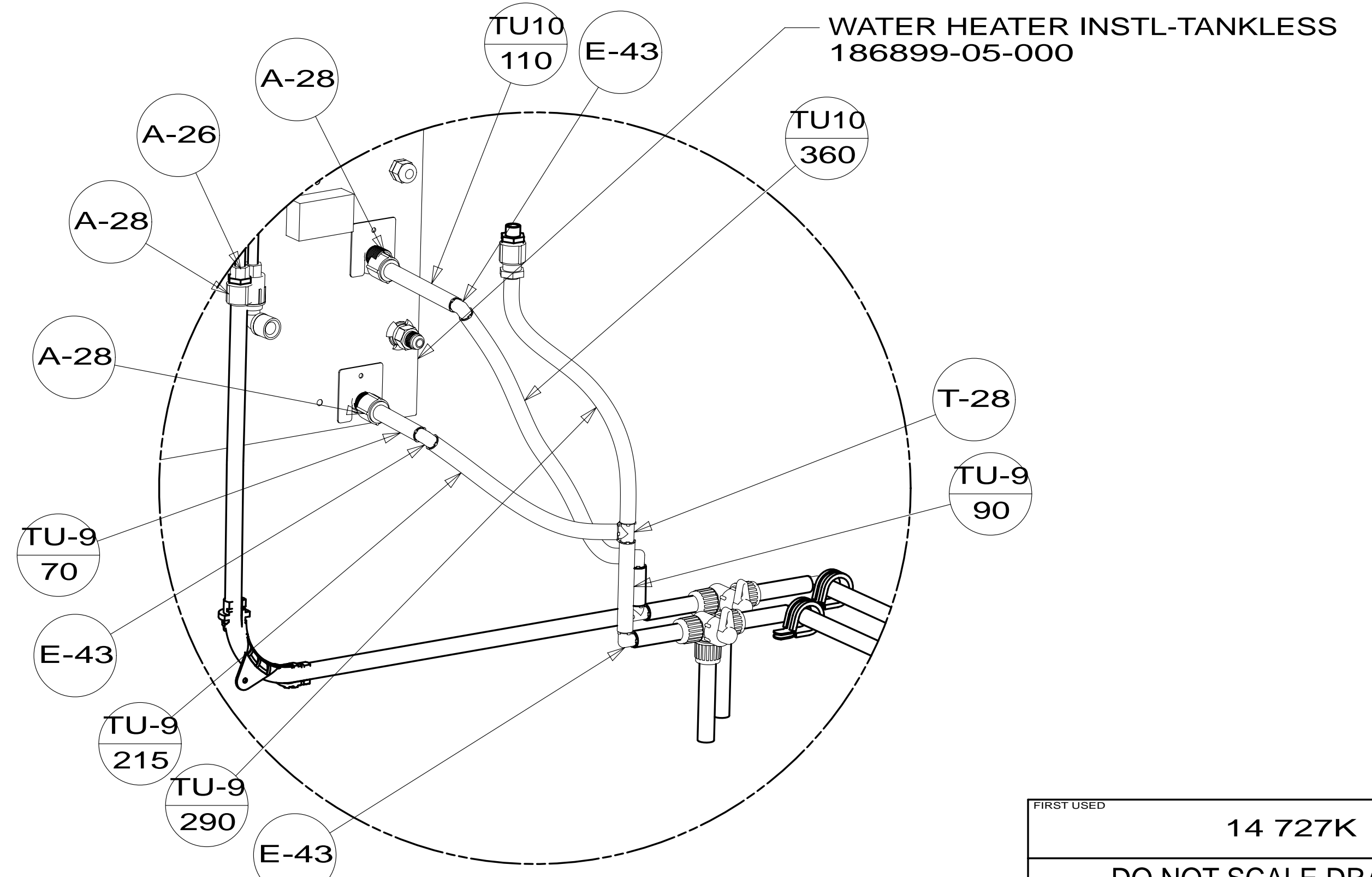
VIEW A

FILTER KIT-WATER,SINK
160946-03-000
SCREW
000G67-10-12U (2)

DETAIL B



DETAIL B
(SHOWN W/OUT CABINETS & FLOOR)



DETAIL B
(SHOWN W/OUT CABINETS & FLOOR)

FIRST USED	14 727K	
DO NOT SCALE DRAWING		
TITLE:	WATER SYSTEM INSTL	
SHEET 2	PART NO	184200
	REV	02-May-2014

* 184200 * A

