

- 1B1 CODES/STANDARDS USA
- 265 CODES/STANDARDS-CSA/CMVSS
- 23T DRAINAGE SYSTEM-HEATED
- 1JD DRAINAGE SYSTEM-HEATED-W/O
- 464 TOILET

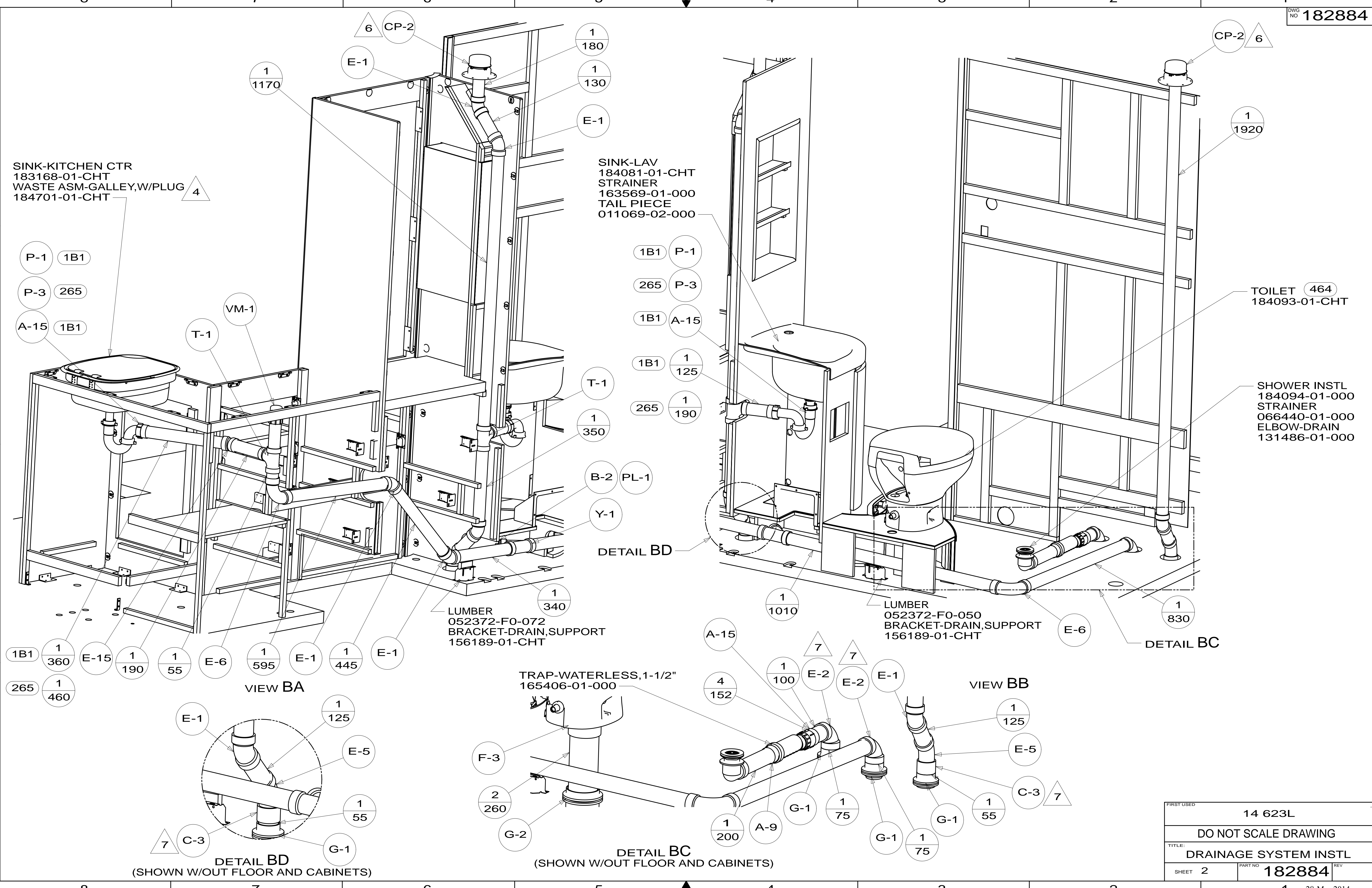
- 11 PREP THE SURFACE PER MANUFACTURERS INSTRUCTIONS BEFORE APPLYING THE HEATING PAD.
- 10 SEE WIRING INSTL-BODY FOR ELECTRICAL CONNECTION.
- 9. SEE DRAWING 061607 FOR INSTALLATION OF GROMMETS.
- 8. SECURE DRAINAGE PIPES TO CABINET USING WIRE TIE 108046-02-000, AND SCREW 000G67-10-12U AT INTERVALS OF NOT OF NOT MORE THAN 4 FEET APART.
- 7 SECURE VENT PIPE TO FLOOR WITH CLAMP 062401-02-000 (2), SCREW 000G67-10-12U (2), BRACKET 136878-01-CHT (2).
- 6 VENT PIPE MUST PROJECT 51 MIN AND 64 MAX ABOVE ROOF FOR PROPER FIT AND FUNCTION. ADD S-1 (116666-01-CHT SEAL-VENT PIPE) AROUND PIPE ON ROOF BEFORE VENT CAP IS INSTALLED.
- 5. SEAL AROUND SHOWER WITH SILICONE.
- 4 USE SMOOTH PLUMBERS PUTTY 167459-01-000 TO SEAL STRAINER (0.2 PER STRAINER).
- 3. ALL PIPE AND FITTINGS TO BE ASSEMBLED WITH SOLVENT 004020-01-000 (USA), 004020-02-000 (CAN)
- 2. SLOPE OF TRAP ARM MUST BE 6 PER 305 mm.
- 1. SLOPE OF HORIZONTAL PIPING TO BE MINIMUM OF 3 PER 305 mm.

NOTES:

FOR DRAINAGE CALLOUTS SEE DWG NO 116229-01-000

		COPYRIGHT 2014 WINNEBAGO INDUSTRIES, INC.
DFT-ORIG	ORIG. DATE	
CHKR	ALL DIMENSIONS ARE IN MILLIMETERS	
P.E.		
M.E.	FIRST USED	
DSNR	14 623L	
UNSPECIFIED TOLERANCES ARE:		MATERIAL:
WHOLE DIM (X)	:	
ONE-PLACE (X.X)	:	
TWO-PLACE (X.XX)	:	
ANGLE	:	
THIRD ANGLE PROJECTION		
DO NOT SCALE DRAWING		REFER TO ES0018 FOR FASTENER TIGHTENING GUIDELINES
TITLE: DRAINAGE SYSTEM INSTL		
SHEET 1 OF 3	PART NO 182884	REV
REF:	1	28-Mar-2014

\* 182884 \* A



SINK-KITCHEN CTR  
183168-01-CHT  
WASTE ASM-GALLEY,W/PLUG  
184701-01-CHT

SINK-LAV  
184081-01-CHT  
STRAINER  
163569-01-000  
TAIL PIECE  
011069-02-000

TOILET 464  
184093-01-CHT

SHOWER INSTL  
184094-01-000  
STRAINER  
066440-01-000  
ELBOW-DRAIN  
131486-01-000

LUMBER  
052372-F0-072  
BRACKET-DRAIN,SUPPORT  
156189-01-CHT

LUMBER  
052372-F0-050  
BRACKET-DRAIN,SUPPORT  
156189-01-CHT

TRAP-WATERLESS,1-1/2"  
165406-01-000

- P-1 1B1
- P-3 265
- A-15 1B1

- 1B1 P-1
- 265 P-3
- 1B1 A-15
- 1B1 1 125
- 265 1 190

- 1B1 1 360
- E-15 1 190
- 1 55
- E-6 1 595
- E-1 1 445
- E-1 1 460

- 1 1010
- A-15 7
- 1 100
- E-2 7
- E-2 7
- E-1 7
- E-6 7
- 1 830

- E-1 1 125
- E-5 1 55
- 1 55
- G-1 7
- C-3 7

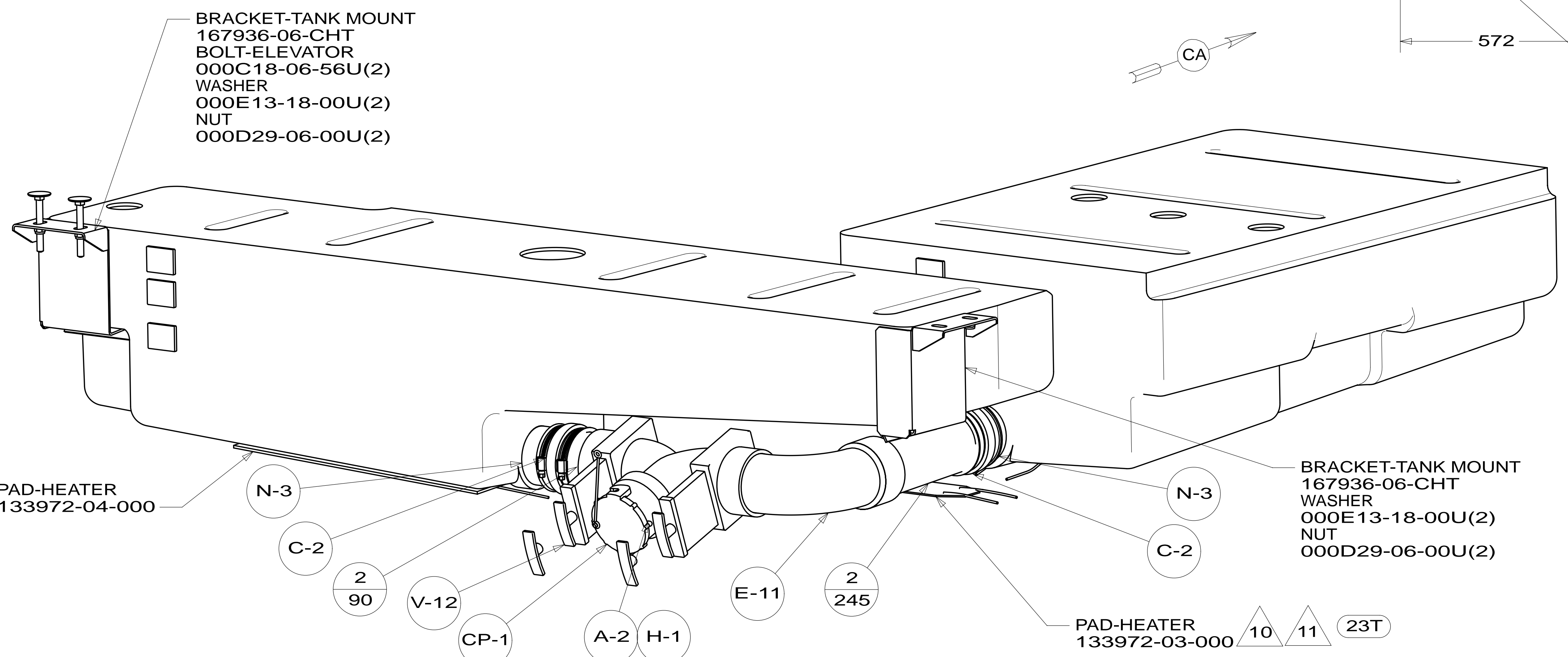
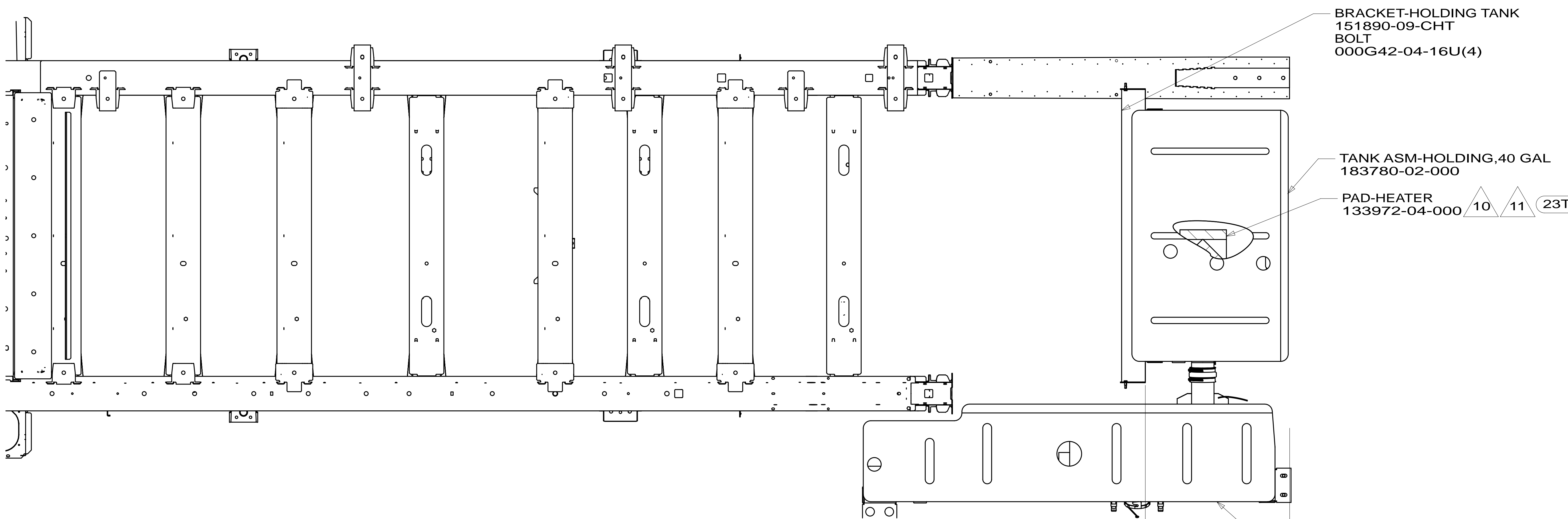
- F-3 2 260
- G-2 1 200
- A-9 1 75
- G-1 1 75
- G-1 1 75
- G-1 1 75
- C-3 7
- 1 125
- E-5 1 55
- 1 55
- G-1 1 75

DETAIL BD  
(SHOWN W/OUT FLOOR AND CABINETS)

DETAIL BC  
(SHOWN W/OUT FLOOR AND CABINETS)

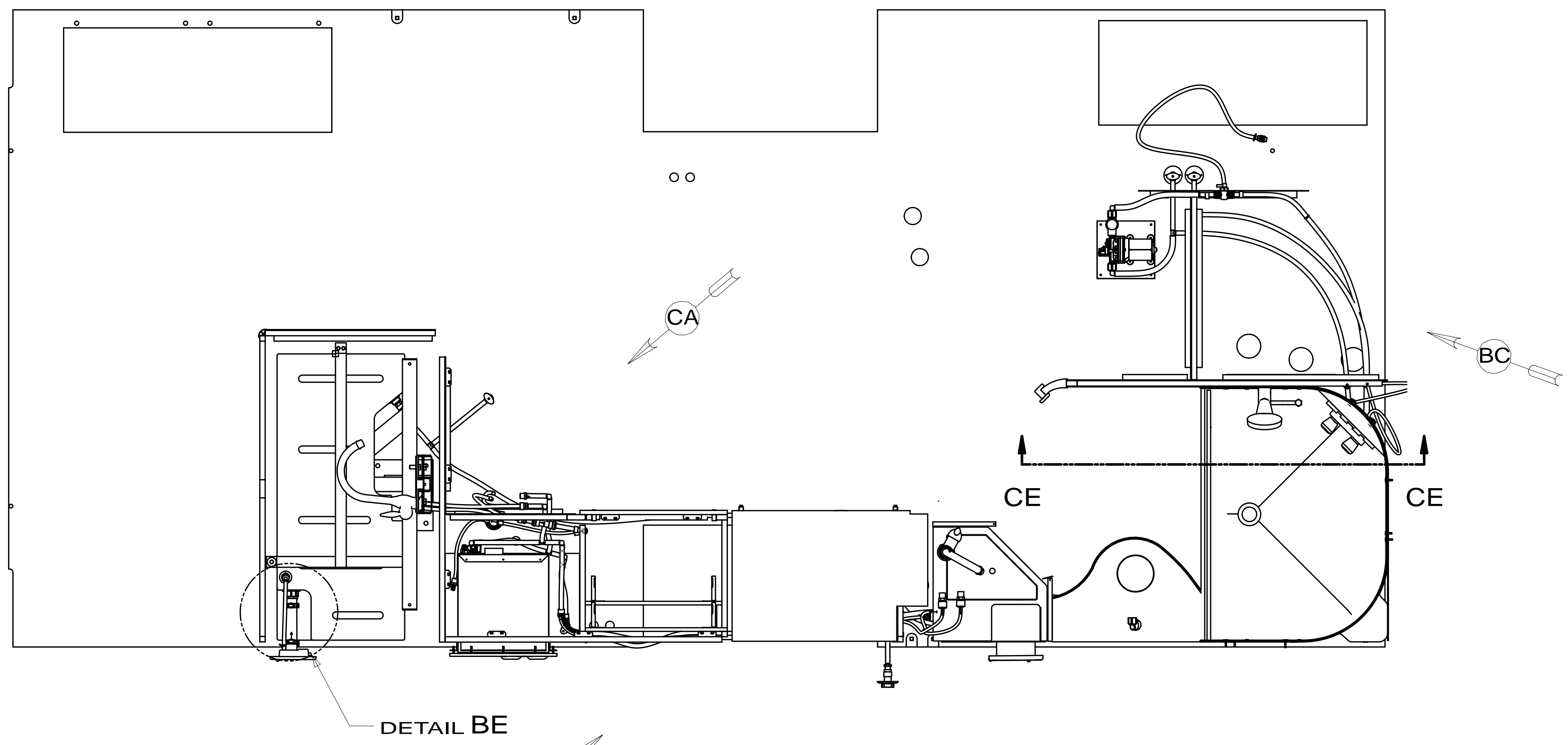
FIRST USED	14 623L
DO NOT SCALE DRAWING	
TITLE: DRAINAGE SYSTEM INSTL	
SHEET 2	PART NO 182884 REV
28-Mar-2014	

\* 182884 \* A



FIRST USED	14 623L
DO NOT SCALE DRAWING	
TITLE: DRAINAGE SYSTEM INSTL	
SHEET 3	PART NO 182884 REV
28-Mar-2014	

\* 182884 \* A



- 29B WATER PURIFIER
- 53E WATER SYS WINTERIZATION PKG
- 64R EXTERIOR WASH STATION

- NOTES:
8. ALL CRIMP FITTINGS TO 1/2" PEX TUBING REQUIRE 1/2" CLAMP 140171-03-000.
  7. ALL CRIMP FITTINGS TO 5/8" PEX TUBING REQUIRE 5/8" CLAMP 140171-04-000.
  6. LABEL HOT AND COLD SUPPLY TUBES AND TAPE FITTING TO TUBE BEFORE CABINET SET TO PREVENT MOVEMENT.
  5. ADD PIPE WRAP (LADDER SCRAP 110157-02-000) INSULATION.
  4. ADD TEFLON TAPE 010405-02-000.
  3. ALL TUBING TO BE SECURED AT 1200 INTERVALS MAXIMUM WITH CLAMP 010495-01-000 AND SCREW 000G67-10-12U OR EQUIVALENT.
  2. TUBING TO BE INSTALLED WITH SUFFICIENT SLOPE TO PROVIDE DRAINAGE TO NEAREST VALVE.
  1. PLASTIC FITTINGS TO BE SEALED WITH SEALANT 084456-01-000.

FOR WATER CALLOUTS SEE DWG NO 116230-01-000

		COPYRIGHT 2014 WINNEBAGO INDUSTRIES, INC.	
DFT-ORIG	ORIG. DATE	ALL DIMENSIONS ARE IN MILLIMETERS	
CHKR			
P.E.			
M.E.	FIRST USED		
DSNR		14 623L	
UNSPECIFIED TOLERANCES ARE:		MATERIAL:	
WHOLE DIM (X)	:		
ONE-PLACE (X.X)	:		
TWO-PLACE (X.XX)	:		
ANGLE	:		
THIRD ANGLE PROJECTION			
DO NOT SCALE DRAWING		REFER TO ES0018 FOR FASTENER TIGHTENING GUIDELINES	
TITLE: WATER SYSTEM INSTL			
SHEET 1 OF 3	PART NO	182892	REV
REF:	1	31-Mar-2014	

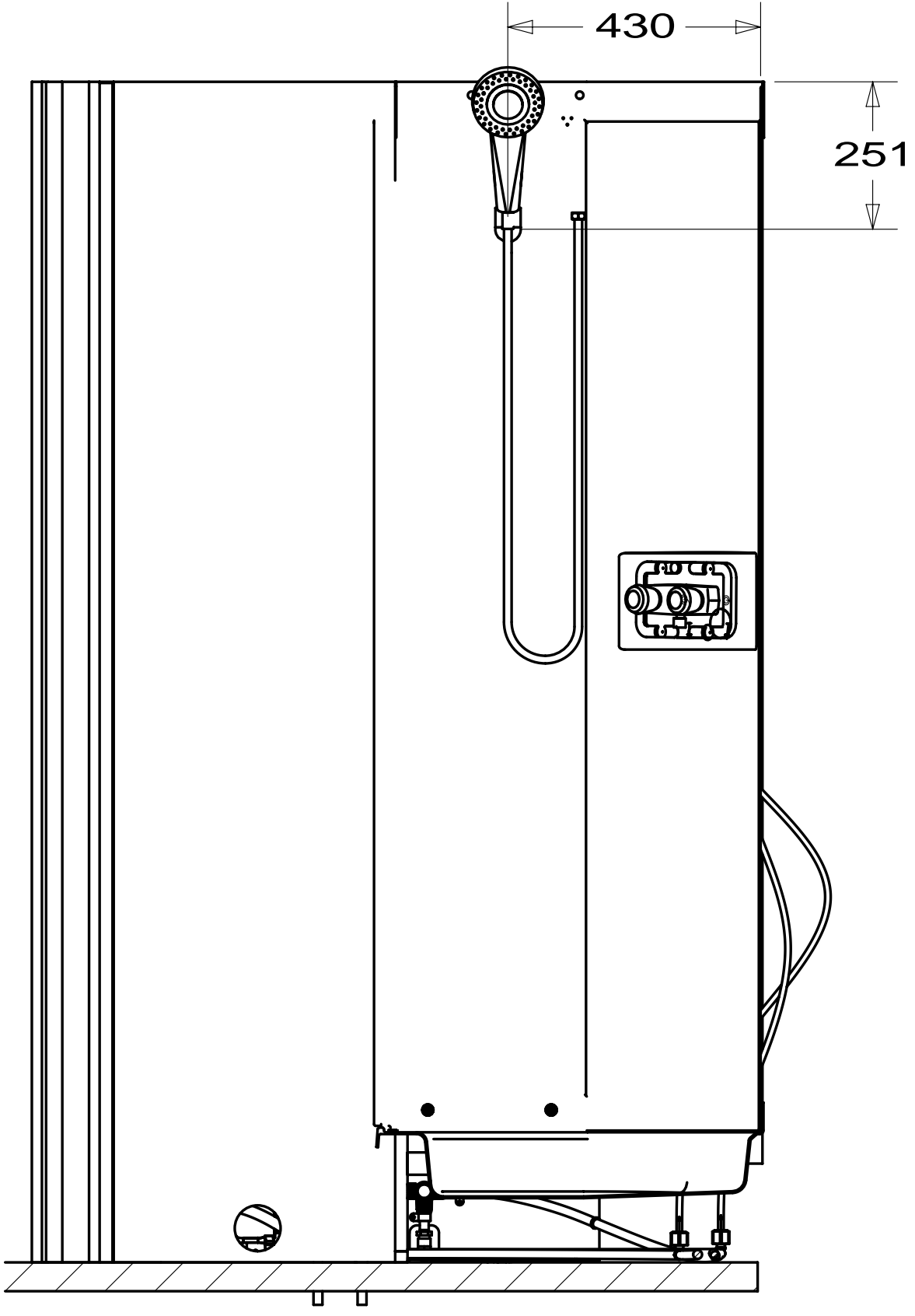
\* 182892 \* A



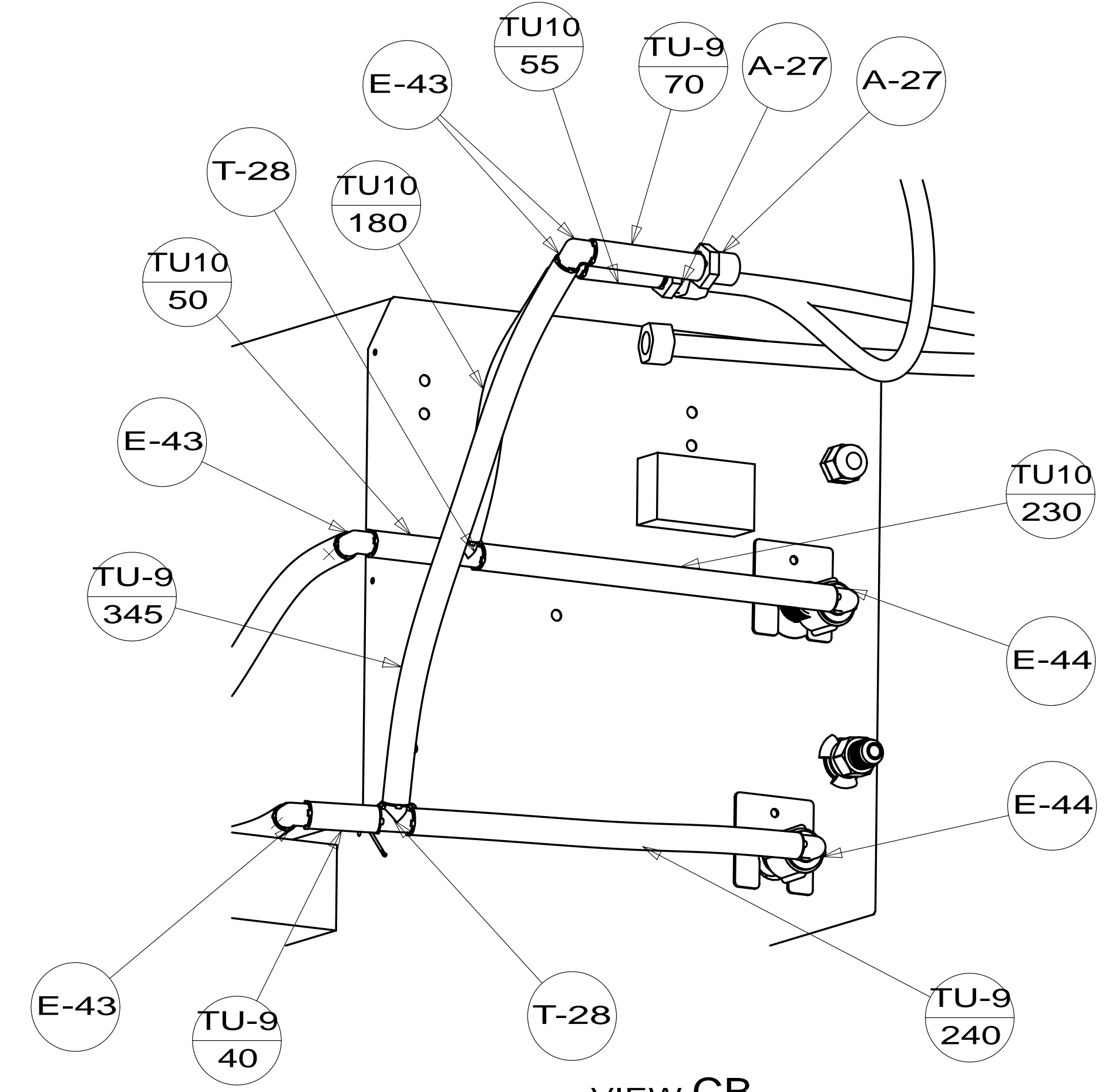


FAUCET-GAL  
171482-02-CHT

DETAIL CD



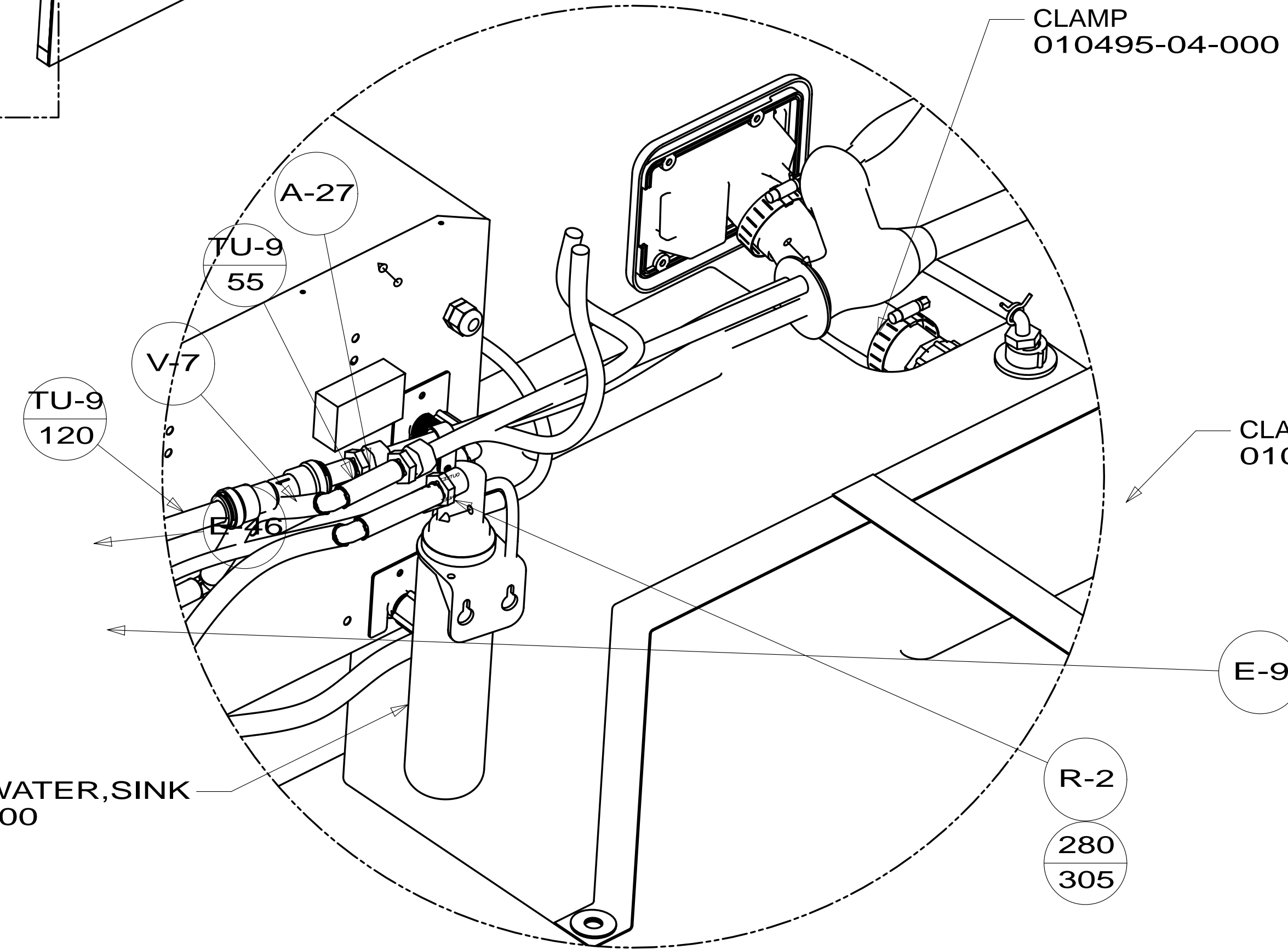
SECTION CE-CE



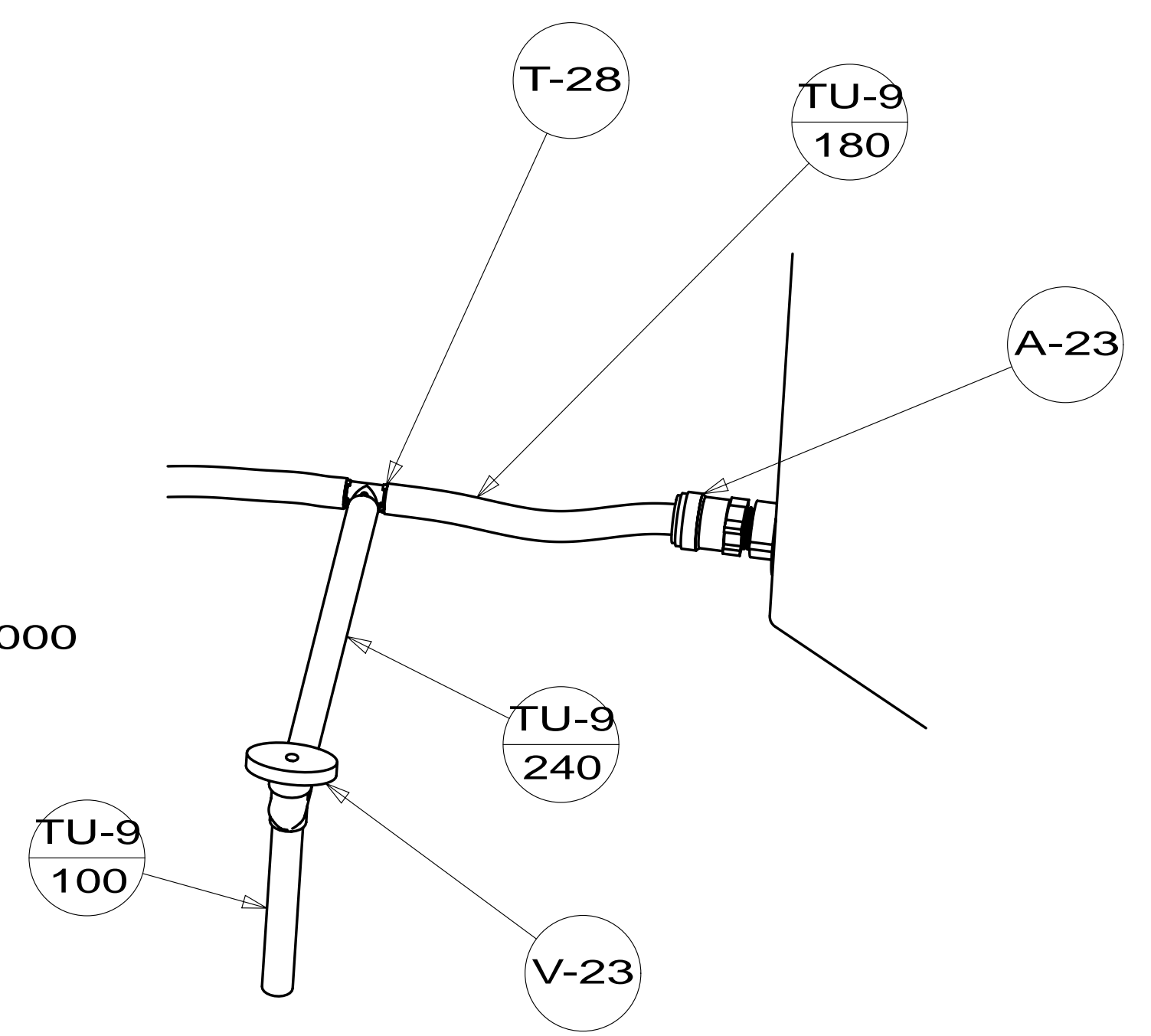
VIEW CB  
(SHOWN W/OUT CABINETS)

DETAIL CC

VIEW CA



DETAIL CD  
29B



DETAIL CC  
(SHOWN W/OUT CABINETS & FLOOR)

FILTER KIT-WATER,SINK  
160946-03-000

FIRST USED	14 623L
DO NOT SCALE DRAWING	
TITLE:	WATER SYSTEM INSTL
SHEET 3	PART NO 182892 REV
31-Mar-2014	

\* 182892 \*