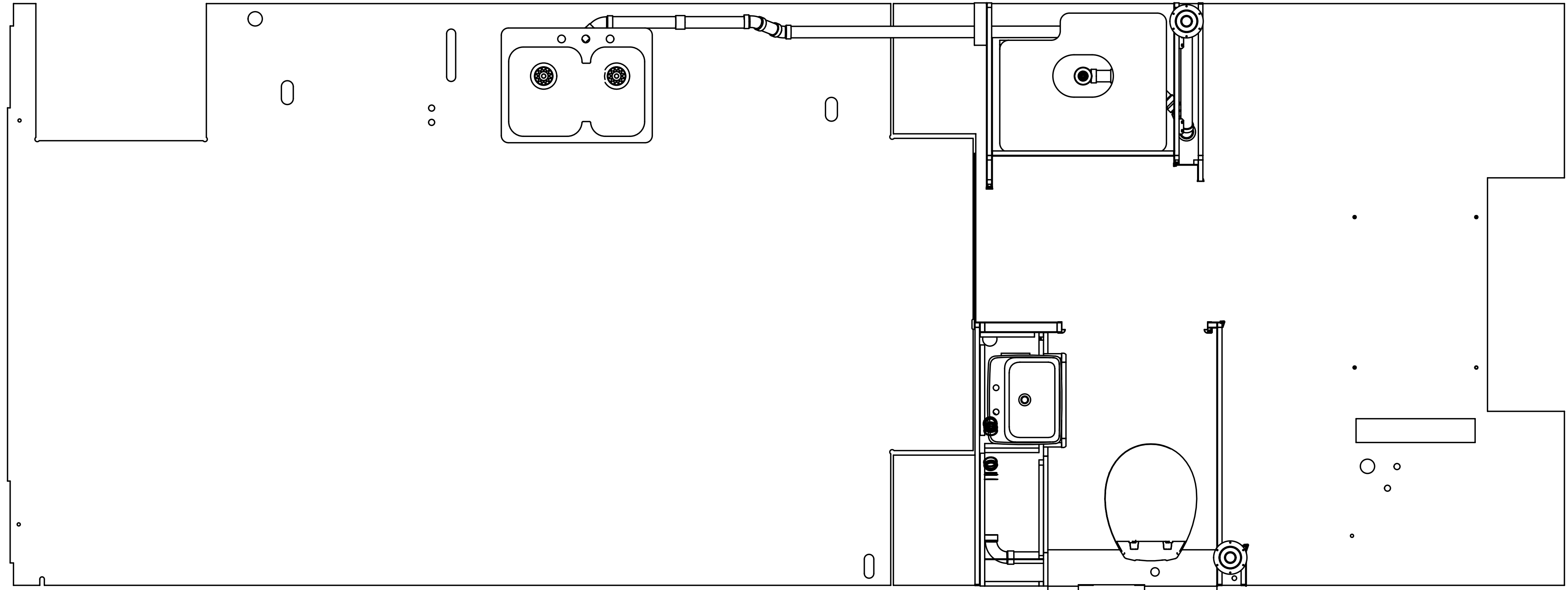


8		7		6		5	
DWG NO	MODEL	TANK-HOLDING	DETAIL CB OR CC	DETAIL BD OR BC	DETAIL CD OR CE		
183460-01	331K	183786-03-000	CB	BD	CD		
183460-02	331KP	183786-05-000	CC	BC	CE		

RELEASE	REV DATE	DWG NO	183460
REV ZONE	REVISION RECORD	DATE	DFT-ORIG



- NOTES:
1. SLOPE OF HORIZONTAL PIPING TO BE MINIMUM OF 3 PER 305 mm.
 2. SLOPE OF TRAP ARM MUST BE 6 PER 305 mm.
 3. ALL PIPE AND FITTINGS TO BE ASSEMBLED WITH SOLVENT 004020-01-000 (USA), 004020-02-000 (CAN)
 4. USE SMOOTH PLUMBERS PUTTY 167459-01-000 TO SEAL STRAINER (0.2 PER STRAINER).
 5. SEAL AROUND SHOWER WITH SILICONE.
 6. VENT PIPE MUST PROJECT 51 MIN AND 64 MAX ABOVE ROOF FOR PROPER FIT AND FUNCTION. ADD S-1 (116666-01-CHT SEAL-VENT PIPE) AROUND PIPE ON ROOF BEFORE VENT CAP IS INSTALLED.
 7. SECURE VENT PIPE TO FLOOR WITH CLAMP 062401-02-000 (2), SCREW 000G67-10-12U (2), BRACKET 136878-01-CHT (2).
 8. SECURE DRAINAGE PIPES TO CABINET USING WIRE TIE 108046-02-000, AND SCREW 000G67-10-12U AT INTERVALS OF NOT OF NOT MORE THAN 4 FEET APART.
 9. SEE DRAWING 061607 FOR INSTALLATION OF GROMMETS.
 10. SEE WIRING INSTL-BODY FOR ELECTRICAL CONNECTION.
 11. PREP THE SURFACE PER MANUFACTURERS INSTRUCTIONS BEFORE APPLYING THE HEATING PAD.
 12. CUT PART TO 90mm.

- 265 CODES/STANDARDS-CSA/CMVSS
- 23T DRAINAGE SYSTEM-HEATED
- 1B1 CODES/STANDARDS USA

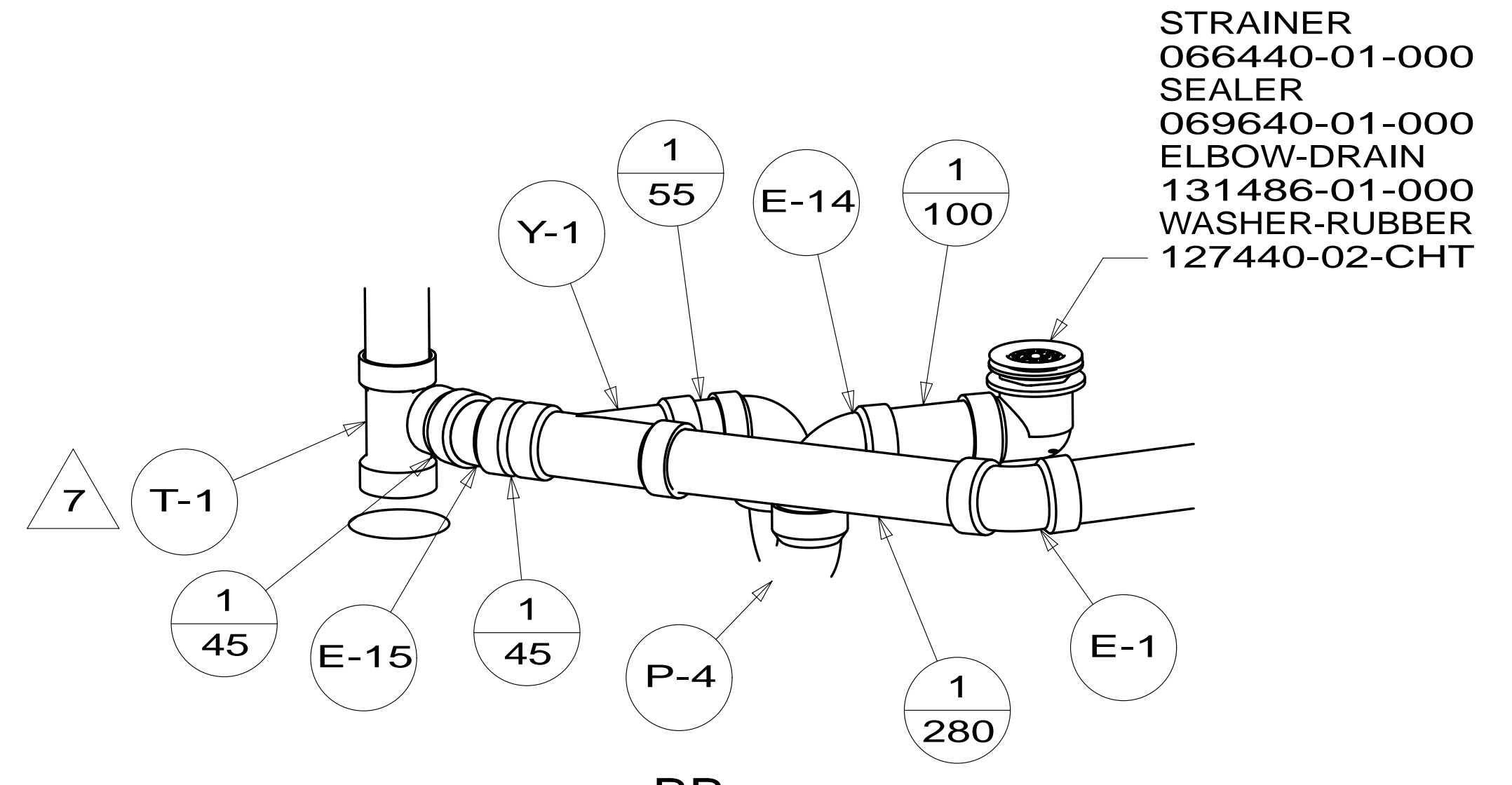
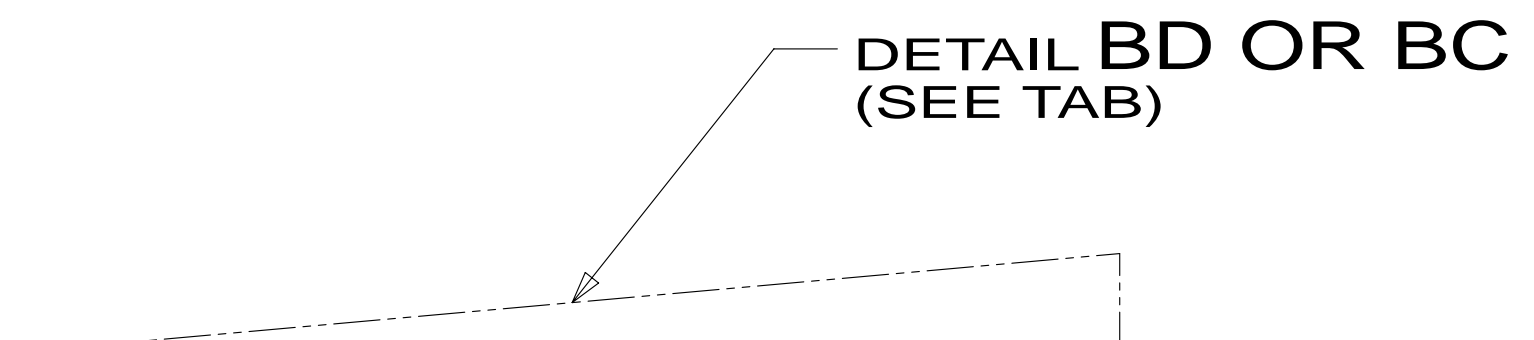
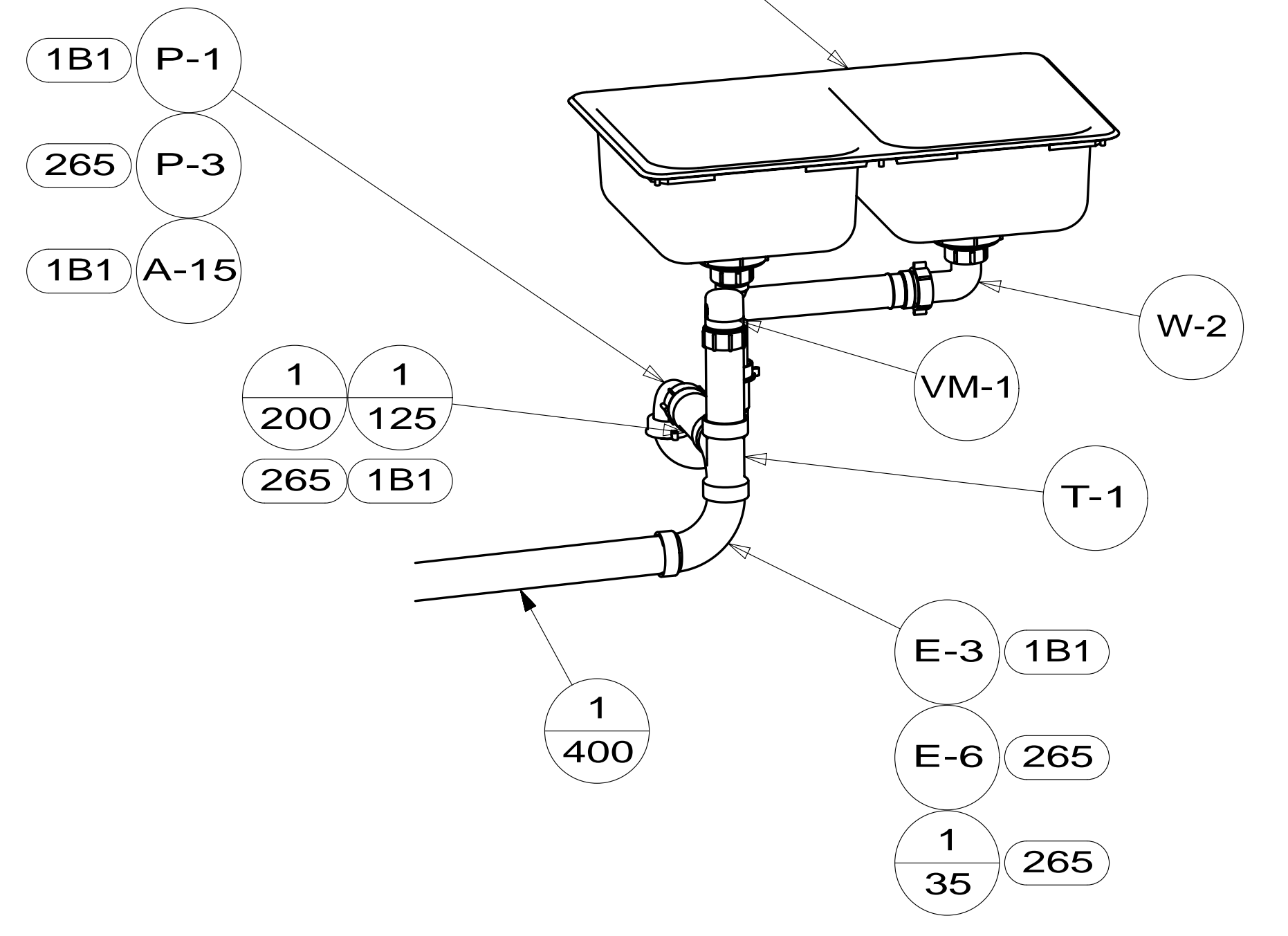
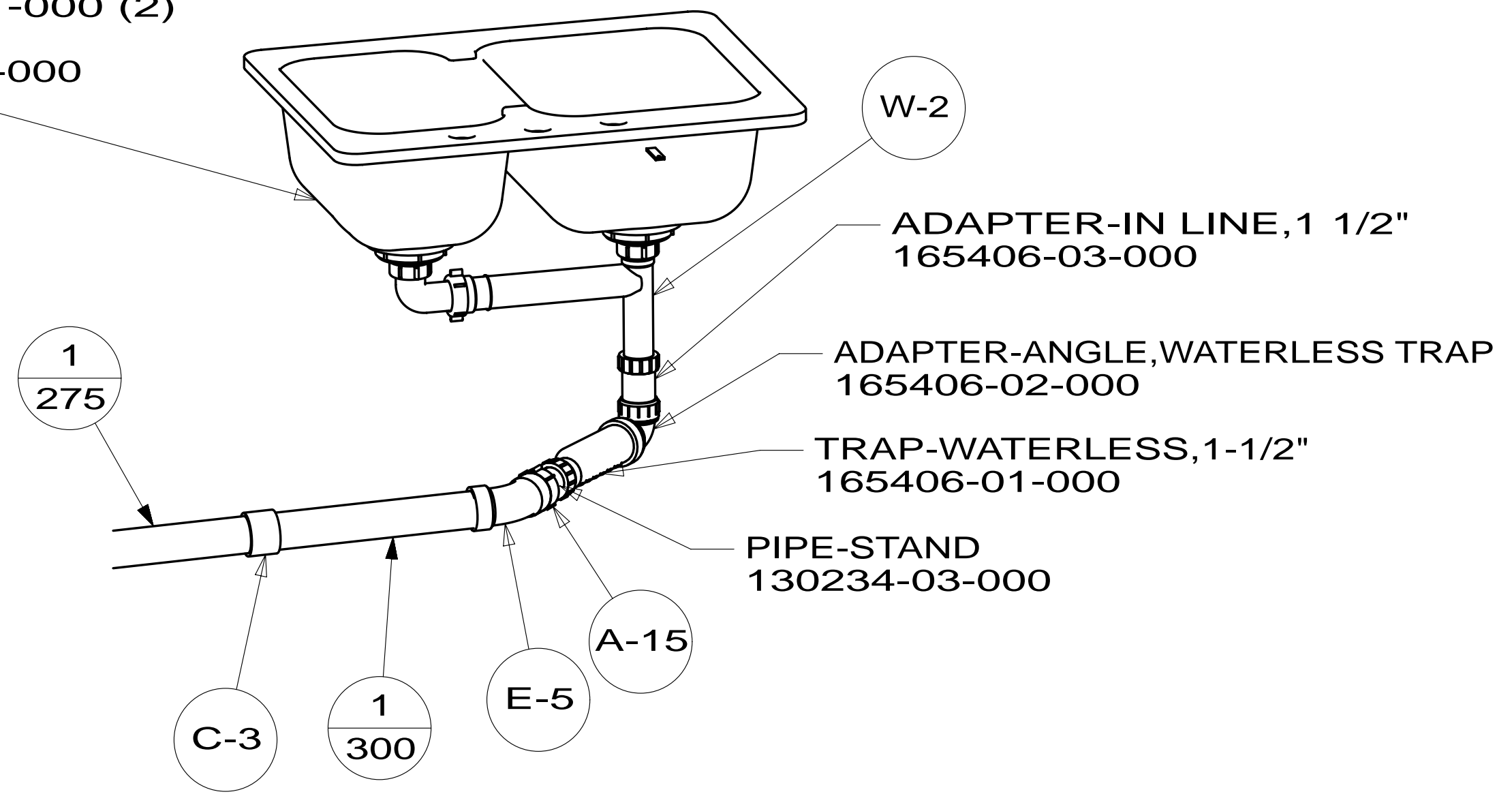
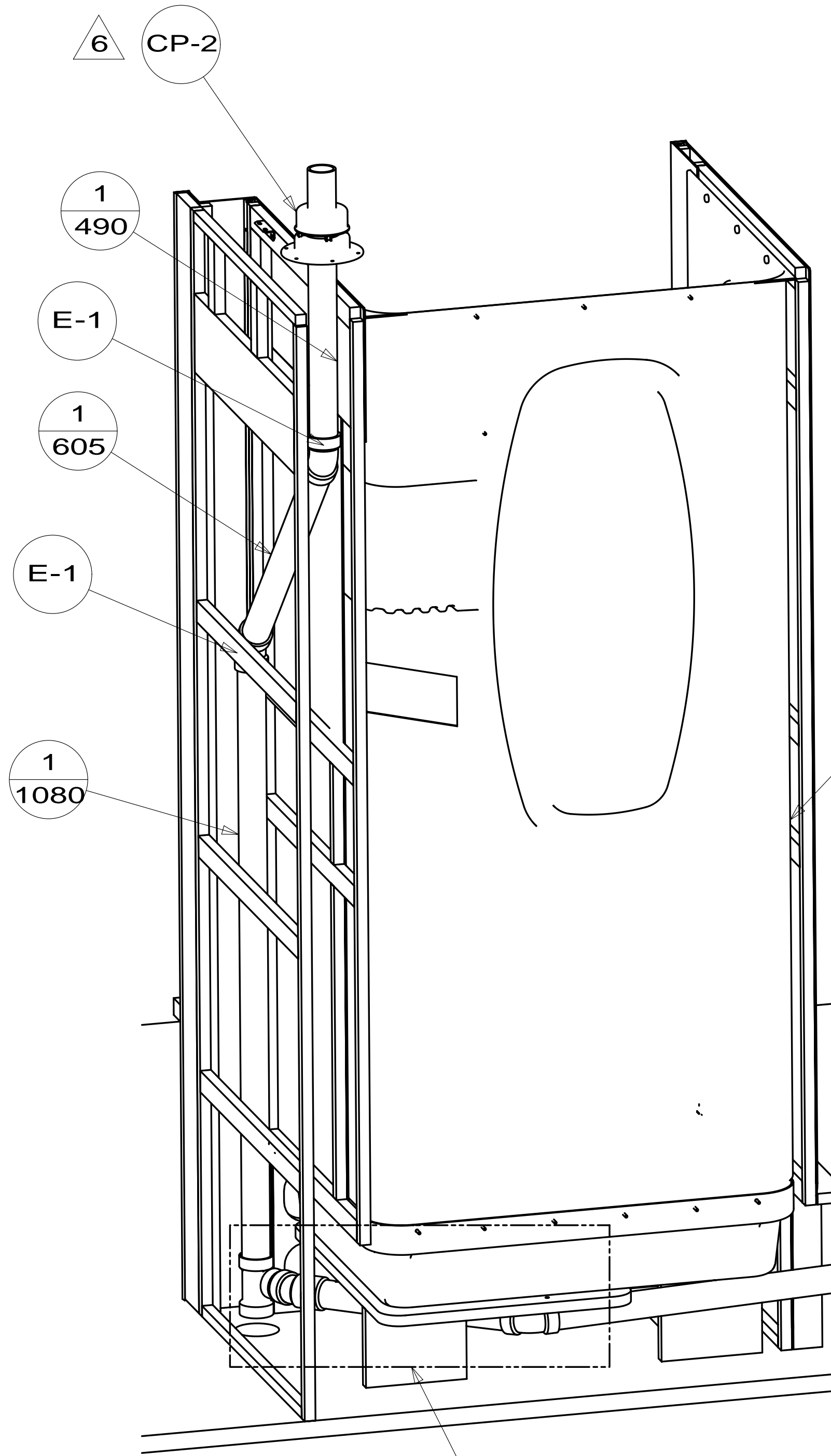
FOR DRAINAGE CALLOUTS SEE DWG NO 116229-01-000

WINNEBAGO		COPYRIGHT 2014 WINNEBAGO INDUSTRIES, INC.	
DFT-ORIG	ORIG. DATE	ALL DIMENSIONS ARE IN MILLIMETERS	
CHKR			
P.E.			
M.E.	FIRST USED		
DSNR		14 331K	
UNSPECIFIED TOLERANCES ARE:		MATERIAL:	
WHOLE DIM (X)	: 3		
ONE-PLACE (X.X)	: 1.5		
TWO-PLACE (X.XX)	: 0.50		
ANGLE	: 1°		
THIRD ANGLE PROJECTION			
DO NOT SCALE DRAWING		REFER TO ES0018 FOR FASTENER TIGHTENING GUIDELINES	
TITLE: DRAINAGE SYSTEM INSTL			
SHEET 1 OF 4	PART NO	183460	REV
REF:	1	24-Apr-2014	

* 183460 * A

SINK
163942-03-CHT
STRAINER
092303-01-000 (2)
SEAL
091255-03-000
(2130)

SINK
179864-01-CHT
STRAINER
092303-01-000 (2)
SEAL
091255-03-000
(2130)



STRAINER
066440-01-000
SEALER
069640-01-000
ELBOW-DRAIN
131486-01-000
WASHER-RUBBER
127440-02-CHT

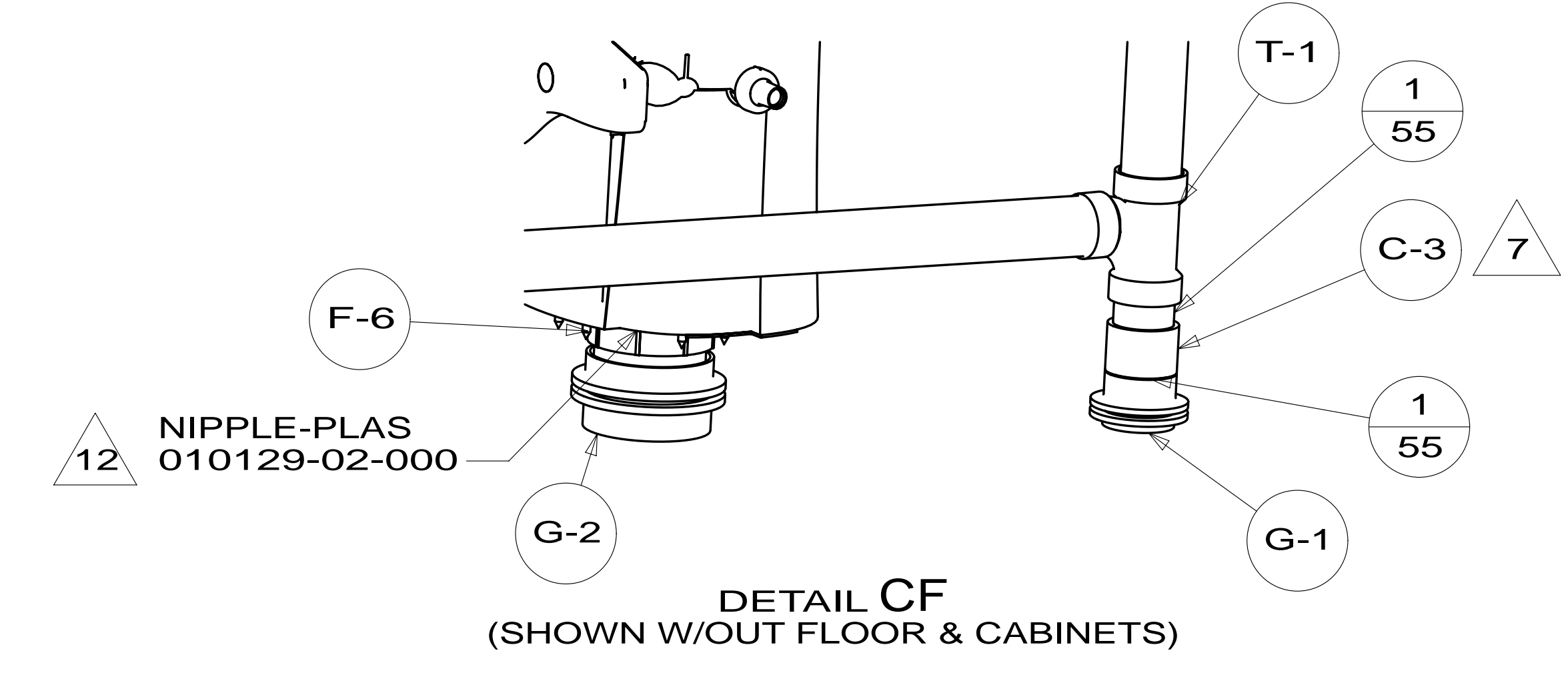
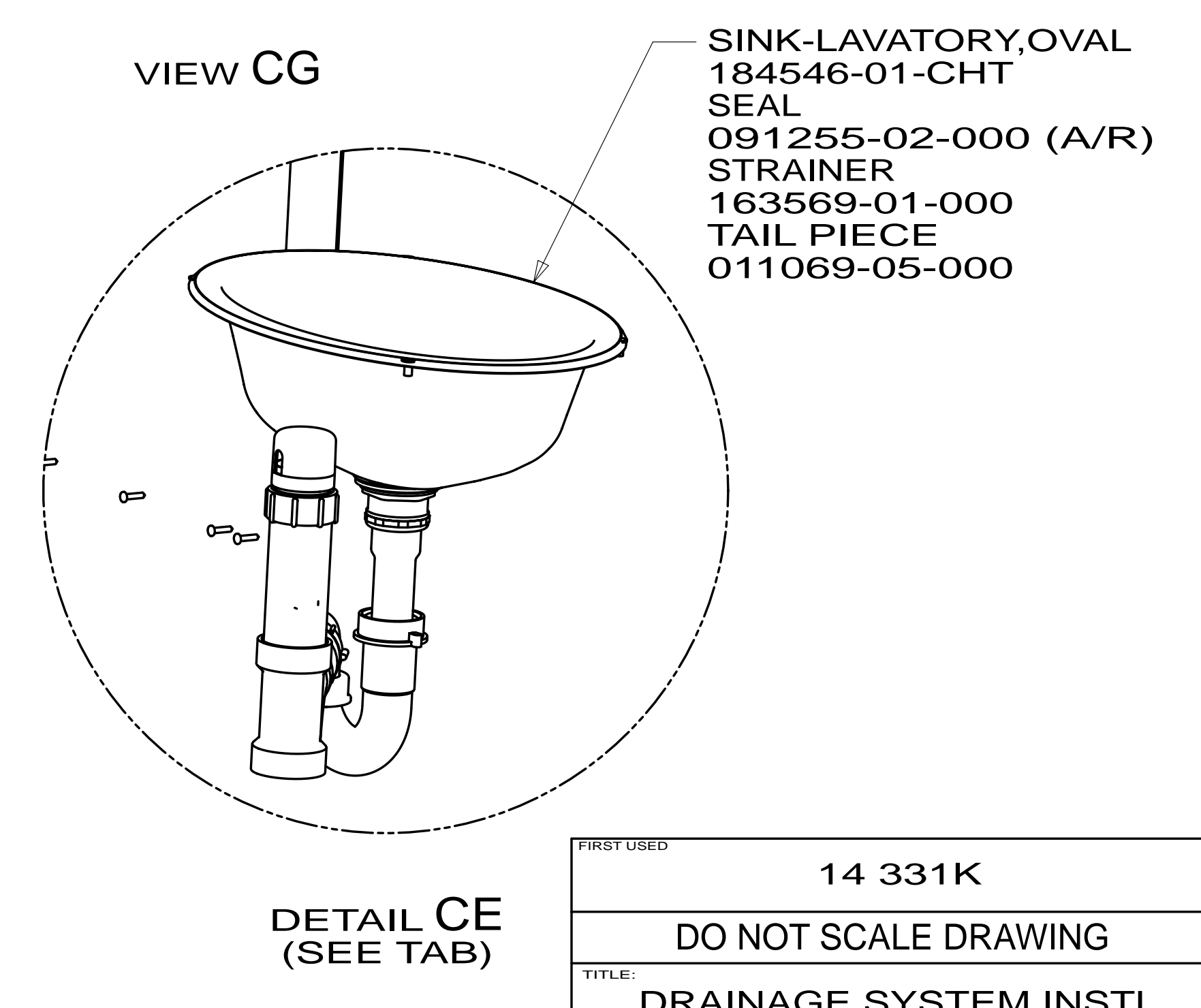
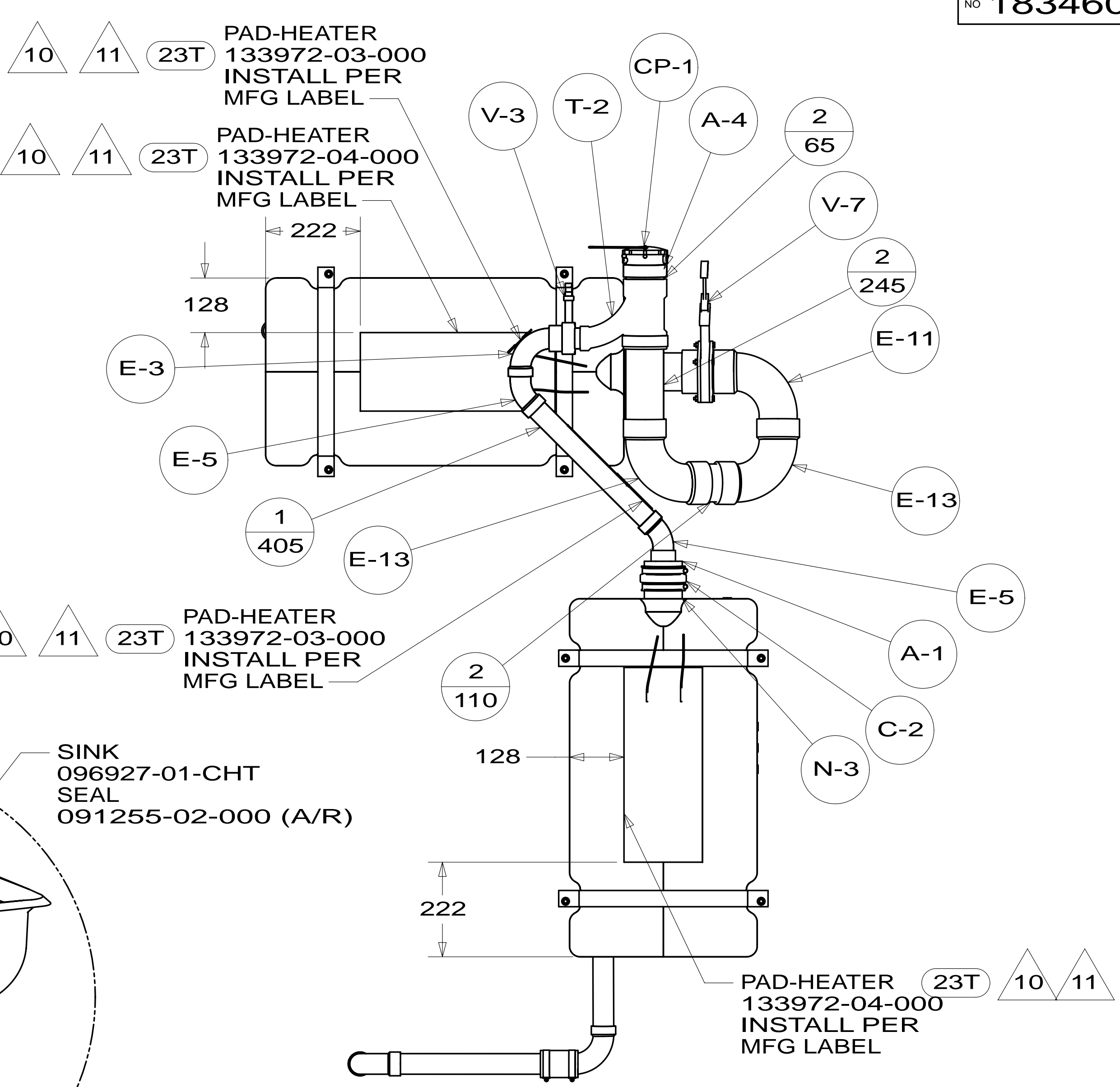
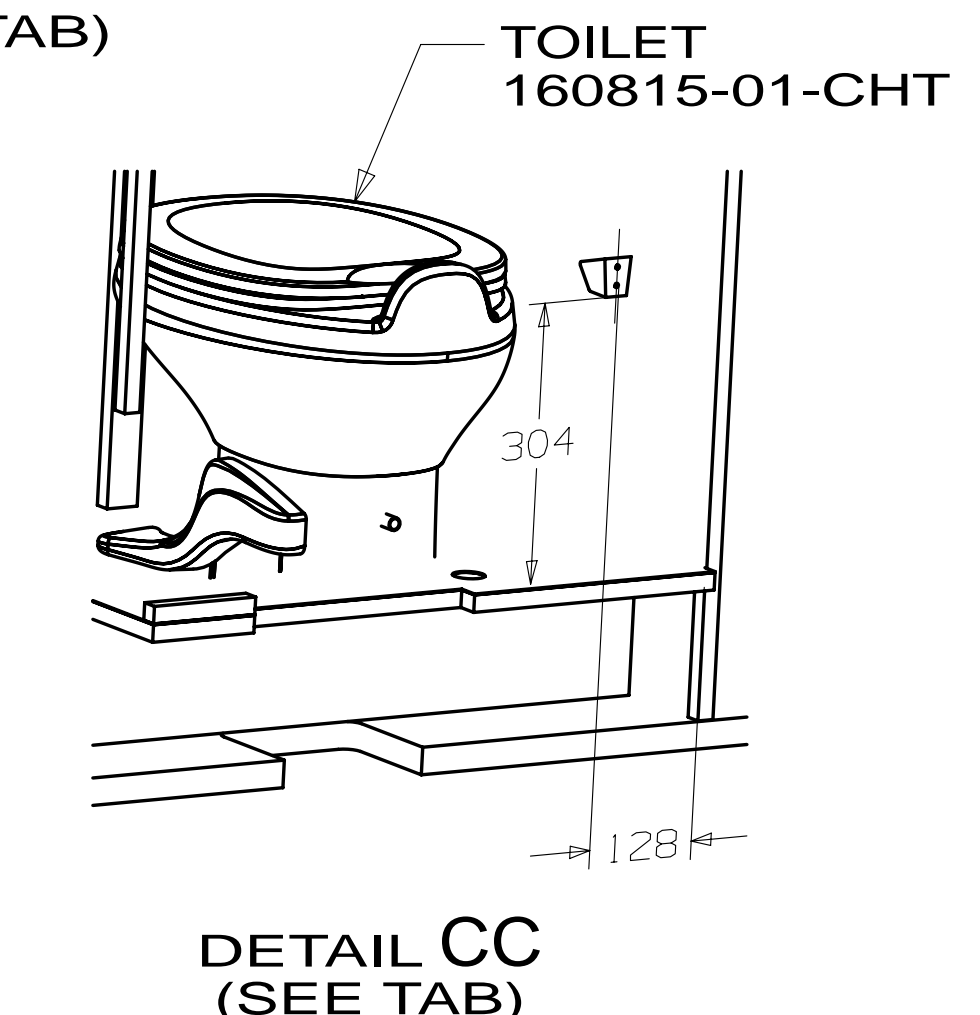
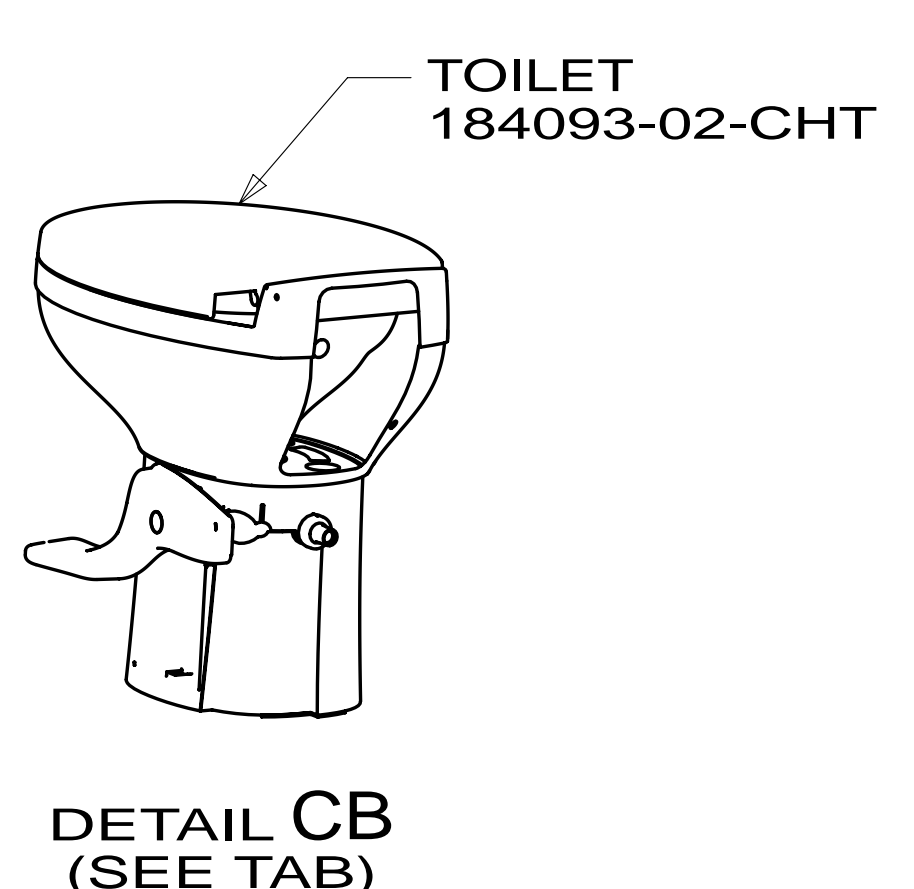
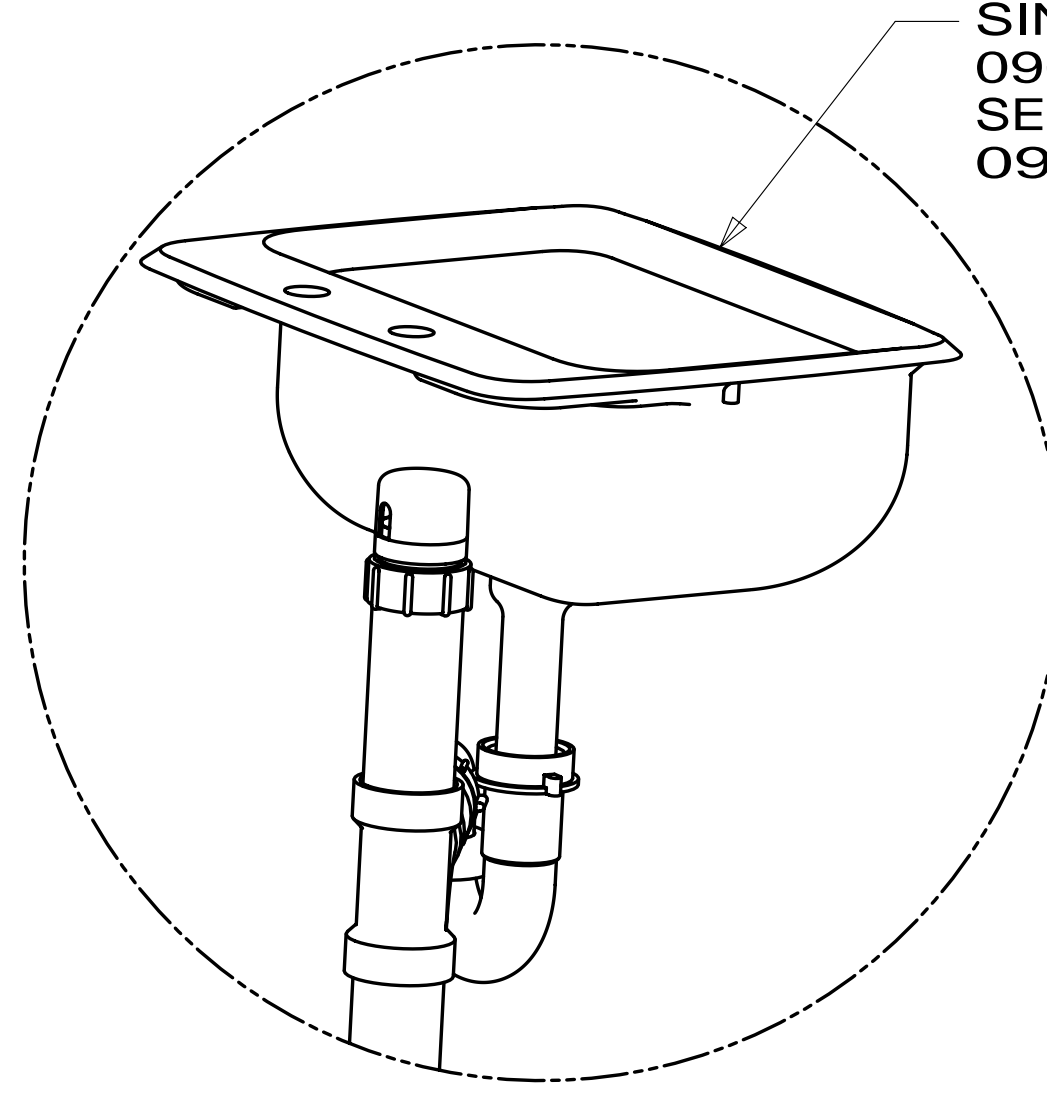
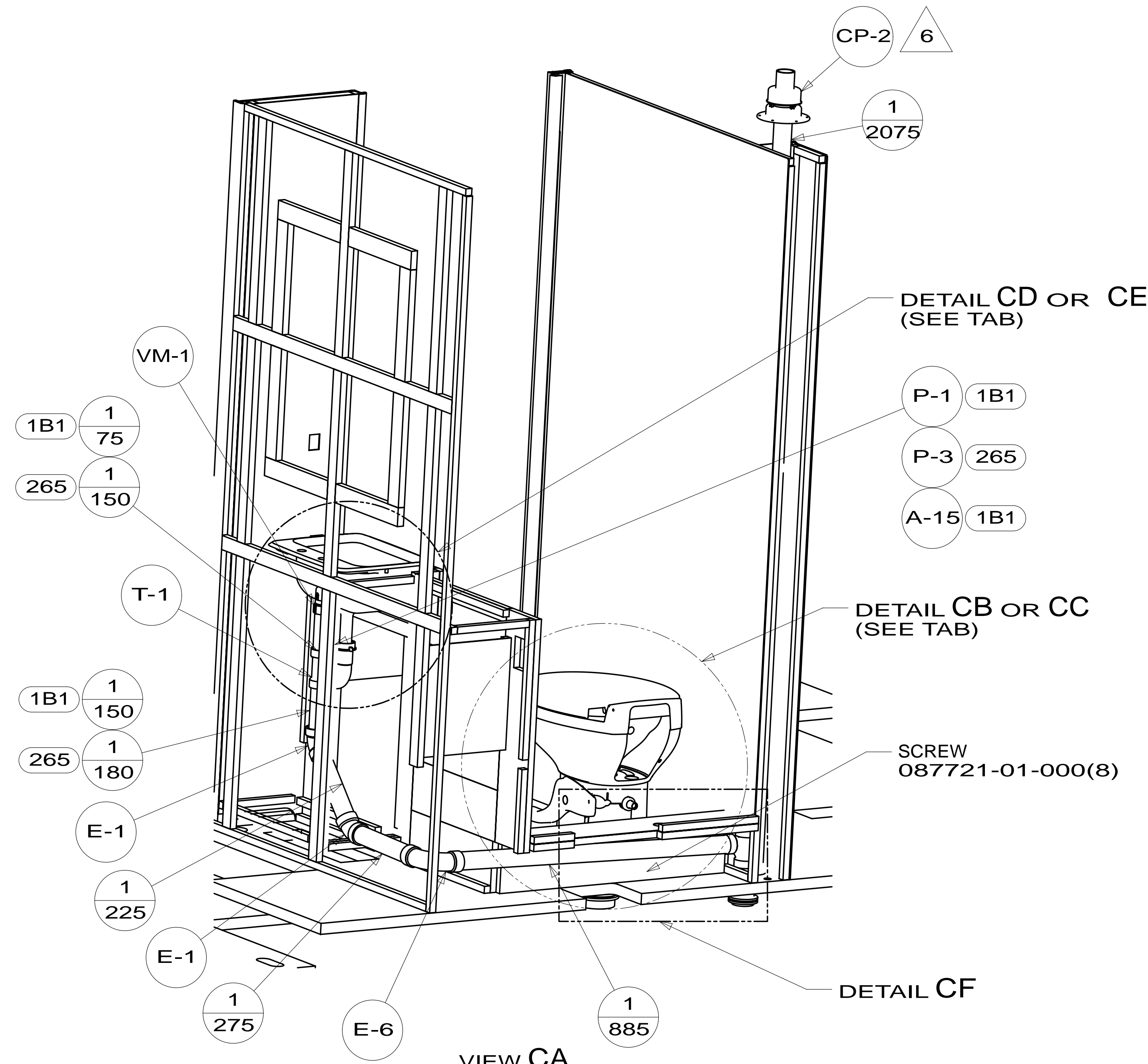
SHOWER INSTL-ENCLOSURE
147936-05-000

DETAIL BB

VIEW BA

FIRST USED	14 331K	
TITLE:	DO NOT SCALE DRAWING	
TITLE:	DRAINAGE SYSTEM INSTL	
SHEET 2	PART NO 183460	REV
		24-Apr-2014

* 183460 * A



FIRST USED	14 331K	
DO NOT SCALE DRAWING		
TITLE: DRAINAGE SYSTEM INSTL		
SHEET 3	PART NO 183460	REV
1 24-Apr-2014		

* 183460 * A

FRONT AXLE

VEHICLE

1222

1498

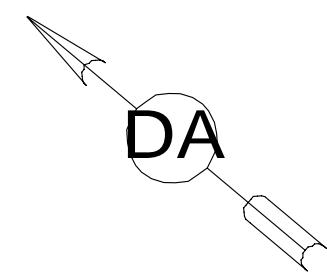
DATUM

5417

4705

815

63



HANGER-STRAP
140220-22-CHT
BOLT
000C18-05-40U
NUT
000D39-05-00U
HOLDER-RING
141443-03-CHT
BOLT
000C26-05-16U
NUT
000D39-05-00U

TANK-HOLDING
(SEE TAB)

STRAP-HLDG TANK MTG
153148-12-CHT
NUT
000D39-05-00U (2)

STRAP-HLDG TANK MTG
153148-13-CHT
NUT
000D39-05-00U (2)

STRAP-HLDG TANK MTG
153148-13-CHT
NUT
000D39-05-00U (2)

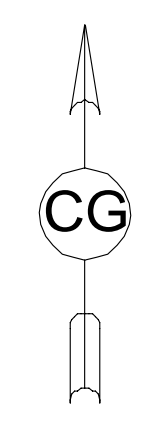
VIEW DA

TANK-HOLDING
183786-02-000

STRAP-HLDG TANK MTG
153148-12-CHT
NUT
000D39-05-00U (2)

N-3
C-2
2
125

A-9
E-2
1
195
1
55
E-6
1
385
C-4
E-3
1
60

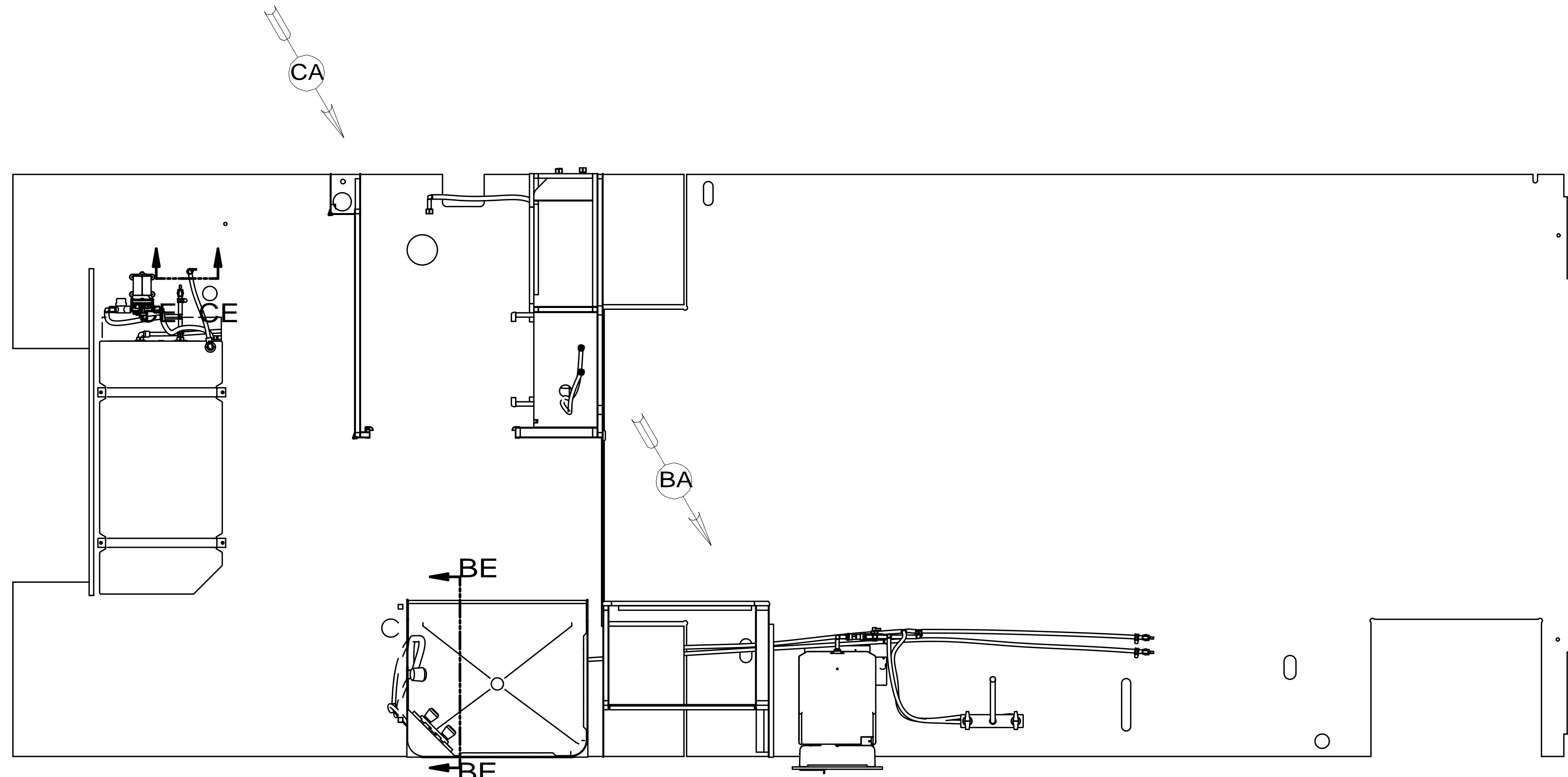


FIRST USED	14 331K	
TITLE:	DO NOT SCALE DRAWING	
TITLE:	DRAINAGE SYSTEM INSTL	
SHEET 4	PART NO 183460	REV
		1 24-Apr-2014

* 183460 * A

DWG NO	MODEL	BF OR BG	CG OR CH	DETAIL CF
183461-01	331K	BF	CG	NO
183461-02	331KP	BG	CH	YES

RELEASE	REV DATE	DWG NO	183461
REV ZONE	REVISION RECORD	DATE	DFT-ORIG



9 FASTEN PLATFORM TO FLOOR AFTER SIDEWALL IS SET AND HEATER IS ATTACHED TO WALL.

8. ALL CRIMP FITTINGS TO 1/2" PEX TUBING REQUIRE 1/2" CLAMP 140171-03-000.

7. ALL CRIMP FITTINGS TO 5/8" PEX TUBING REQUIRE 5/8" CLAMP 140171-04-000.

6 LABEL HOT AND COLD SUPPLY TUBES AND TAPE FITTING TO TUBE BEFORE CABINET SET TO PREVENT MOVEMENT.

5 ADD PIPE WRAP (LADDER SCRAP 110157-02-000) INSULATION.

4 ADD TEFLON TAPE 010405-02-000.

3. ALL TUBING TO BE SECURED AT 1200 INTERVALS MAXIMUM WITH CLAMP 010495-01-000 AND SCREW 000G67-10-12U OR EQUIVALENT.

2. TUBING TO BE INSTALLED WITH SUFFICIENT SLOPE TO PROVIDE DRAINAGE TO NEAREST VALVE.

1. PLASTIC FITTINGS TO BE SEALED WITH SEALANT 084456-01-000.

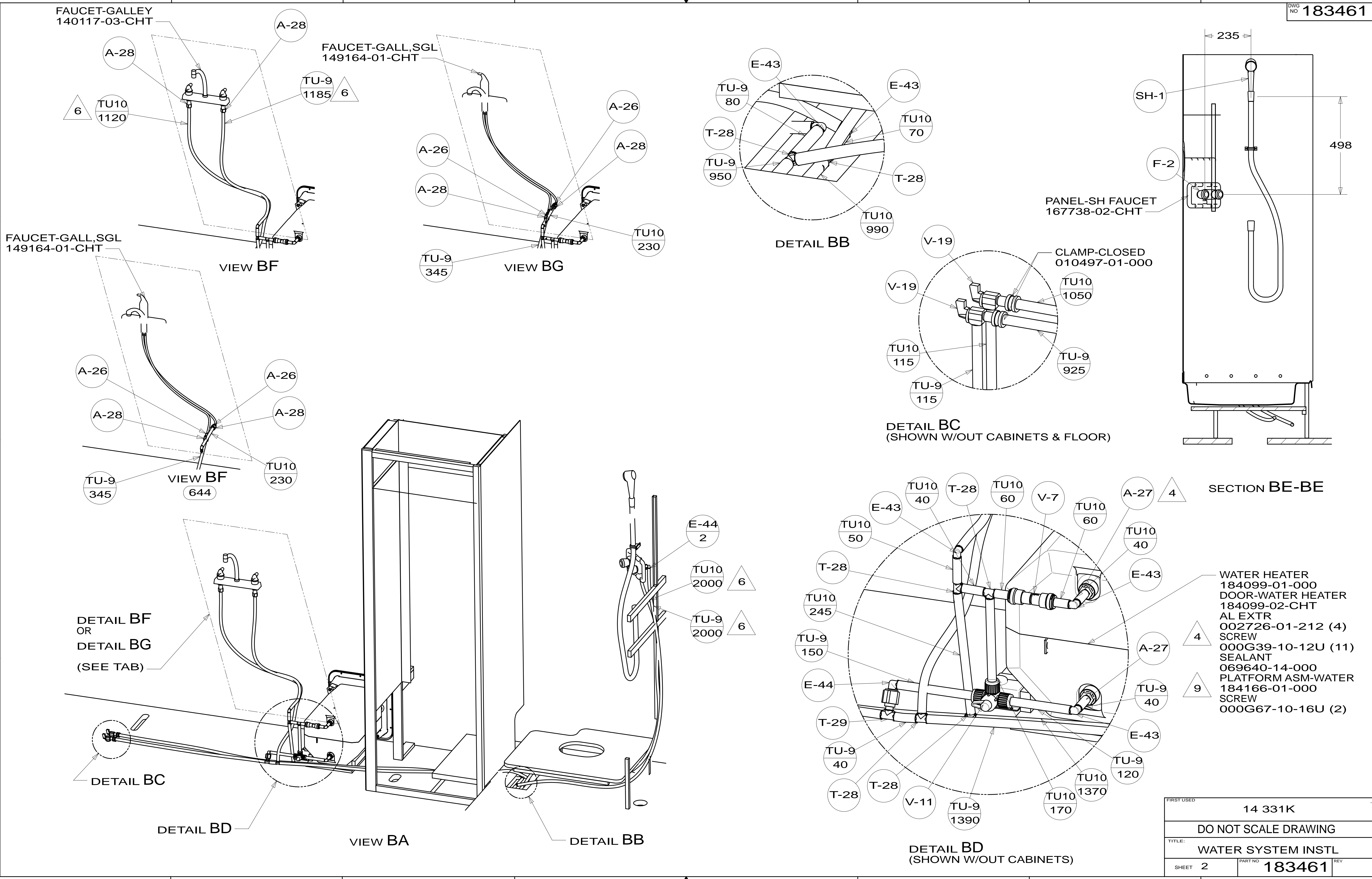
NOTES:

644 GREAT ALASKAN RENTAL PACKAGE

		COPYRIGHT 2014 WINNEBAGO INDUSTRIES, INC.	
DFT-ORIG	ORIG. DATE	ALL DIMENSIONS ARE IN MILLIMETERS	
CHKR			
P.E.			
M.E.	FIRST USED		
DSNR		14 331K	
UNSPECIFIED TOLERANCES ARE:		MATERIAL:	
WHOLE DIM (X)	: 3		
ONE-PLACE (X.X)	: 1.5		
TWO-PLACE (X.XX)	: 0.50		
ANGLE	: 1°		
THIRD ANGLE PROJECTION			
DO NOT SCALE DRAWING		REFER TO ES0018 FOR FASTENER TIGHTENING GUIDELINES	
TITLE: WATER SYSTEM INSTL			
SHEET 1 OF 3	PART NO	183461	REV
REF:	1	02-Apr-2014	

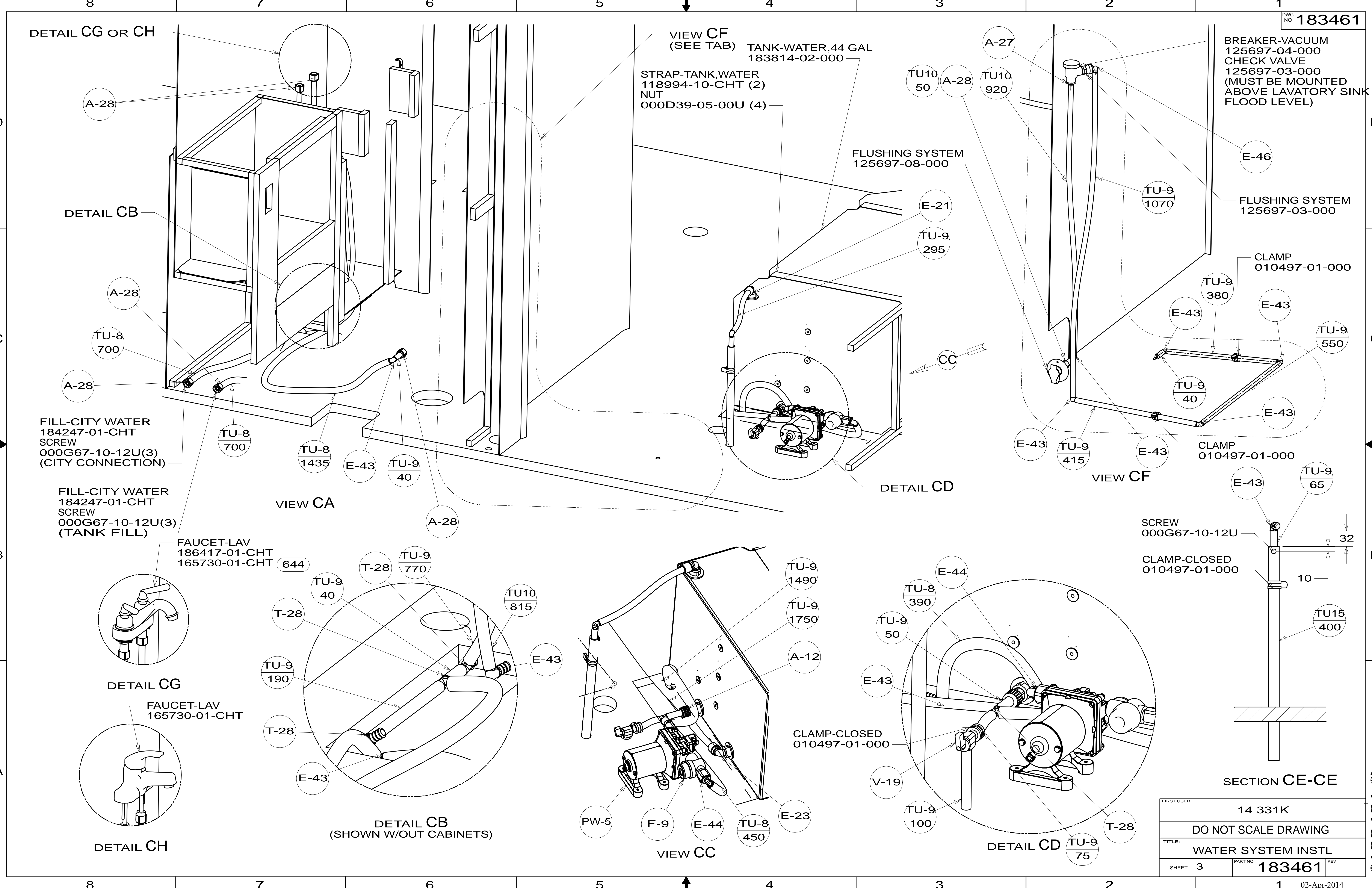
X-X
FOR WATER CALLOUTS SEE DWG NO 116230-01-000

* 183461 * A



FIRST USED	14 331K	
TITLE:	DO NOT SCALE DRAWING	
SHEET	2	PART NO 183461
REV		REV
02-Apr-2014		

*183461 *A



VIEW CF
(SEE TAB) TANK-WATER, 44 GAL
183814-02-000

STRAP-TANK, WATER
118994-10-CHT (2)
NUT
000D39-05-00U (4)

FLUSHING SYSTEM
125697-08-000

BREAKER-VACUUM
125697-04-000
CHECK VALVE
125697-03-000
(MUST BE MOUNTED
ABOVE LAVATORY SINK
FLOOD LEVEL)

FILL-CITY WATER
184247-01-CHT
SCREW
000G67-10-12U(3)
(CITY CONNECTION)

FILL-CITY WATER
184247-01-CHT
SCREW
000G67-10-12U(3)
(TANK FILL)

FAUCET-LAV
186417-01-CHT
165730-01-CHT

DETAIL CG

FAUCET-LAV
165730-01-CHT

DETAIL CH

VIEW CA

DETAIL CD

VIEW CF

SECTION CE-CE

VIEW CC

DETAIL CD

FIRST USED	14 331K	
TITLE:	DO NOT SCALE DRAWING	
SHEET 3	PART NO	183461
	REV	