

- 12. CUT PART TO 90MM.
- 11. PREP THE SURFACE PER MANUFACTURERS INSTRUCTIONS BEFORE APPLYING THE HEATING PAD.
- 10. SEE WIRING INSTL-BODY FOR ELECTRICAL CONNECTION.
- 9. SEE DRAWING 061607 FOR INSTALLATION OF GROMMETS.
- 8. SECURE DRAINAGE PIPES TO CABINET USING WIRE TIE 108046-02-000, AND SCREW 000G67-10-12U AT INTERVALS OF NOT OF NOT MORE THAN 4 FEET APART.
- 7. SECURE VENT PIPE TO FLOOR WITH CLAMP 062401-02-000 (2), SCREW 000G67-10-12U (2), BRACKET 136878-01-CHT (2).
- 6. VENT PIPE MUST PROJECT 51 MIN AND 64 MAX ABOVE ROOF FOR PROPER FIT AND FUNCTION. ADD S-1 (116666-01-CHT SEAL-VENT PIPE) AROUND PIPE ON ROOF BEFORE VENT CAP IS INSTALLED.
- 5. SEAL AROUND SHOWER WITH SILICONE.
- 4. USE SMOOTH PLUMBERS PUTTY 167459-01-000 TO SEAL STRAINER (0.2 PER STRAINER).
- 3. ALL PIPE AND FITTINGS TO BE ASSEMBLED WITH SOLVENT 004020-01-000 (USA), 004020-02-000 (CAN)
- 2. SLOPE OF TRAP ARM MUST BE 6 PER 305 mm.
- 1. SLOPE OF HORIZONTAL PIPING TO BE MINIMUM OF 3 PER 305 mm.

- 644 GREAT ALASKAN RENTAL PACKAGE
- 265 CODES/STANDARDS-CSA/CMVSS
- 23T DRAINAGE SYSTEM-HEATED
- 1B1 CODES/STANDARDS USA

		COPYRIGHT 2014 WINNEBAGO INDUSTRIES, INC.	
DFTR	ORIG. DATE	ALL DIMENSIONS ARE IN MILLIMETERS	
CHKR			
P.E.			
M.E.	FIRST USED		
DSNR		14 322R	
UNSPECIFIED TOLERANCES ARE:		MATERIAL:	
WHOLE DIM (X)	: 3		
ONE-PLACE (X.X)	: 1.5		
TWO-PLACE (X.XX)	: 0.50		
ANGLE	: 1°		
THIRD ANGLE PROJECTION			
DO NOT SCALE DRAWING		REFER TO ES0018 FOR FASTENER TIGHTENING GUIDELINES	
TITLE: DRAINAGE SYSTEM INSTL			
SHEET 1 OF 3	PART NO	185534	REV
REF:	1	28-Mar-2014	

FOR DRAINAGE CALLOUTS SEE DWG NO 116229-01-000

NOTES:

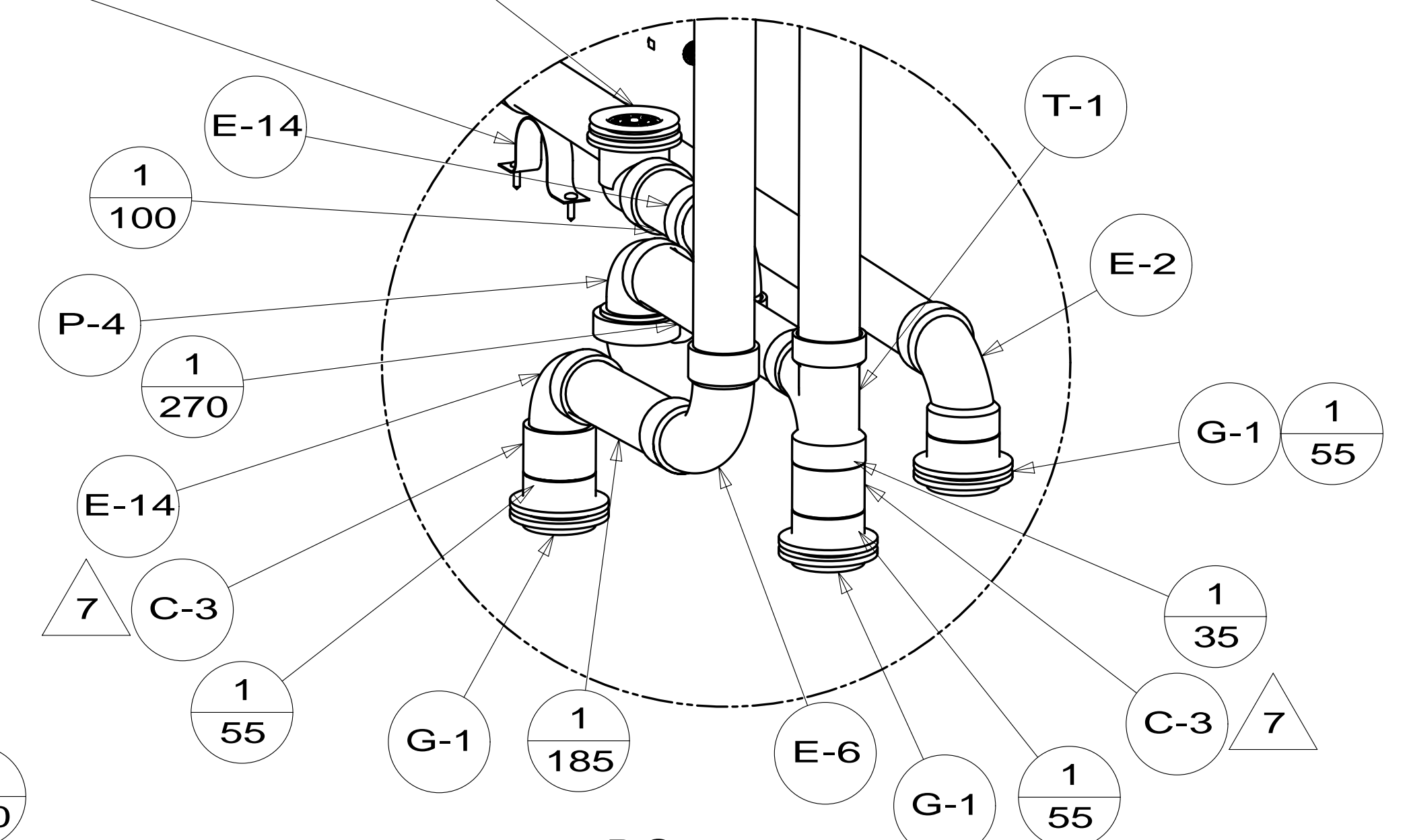
\* 185534 \* A

STRAP-CONDUIT  
008406-01-000  
SCREW  
000G67-10-12U (2)

STRAINER  
066440-01-000  
SEALER  
069640-01-000  
ELBOW-DRAIN  
131486-01-000  
WASHER-RUBBER  
127440-02-CHT

BRACKET-DRAIN  
156189-01-CHT  
LUMBER  
052372-F0-090  
SCREW  
000G67-10-12U (5)

SHOWER INSTL-ENCLOSURE  
147883-04-000



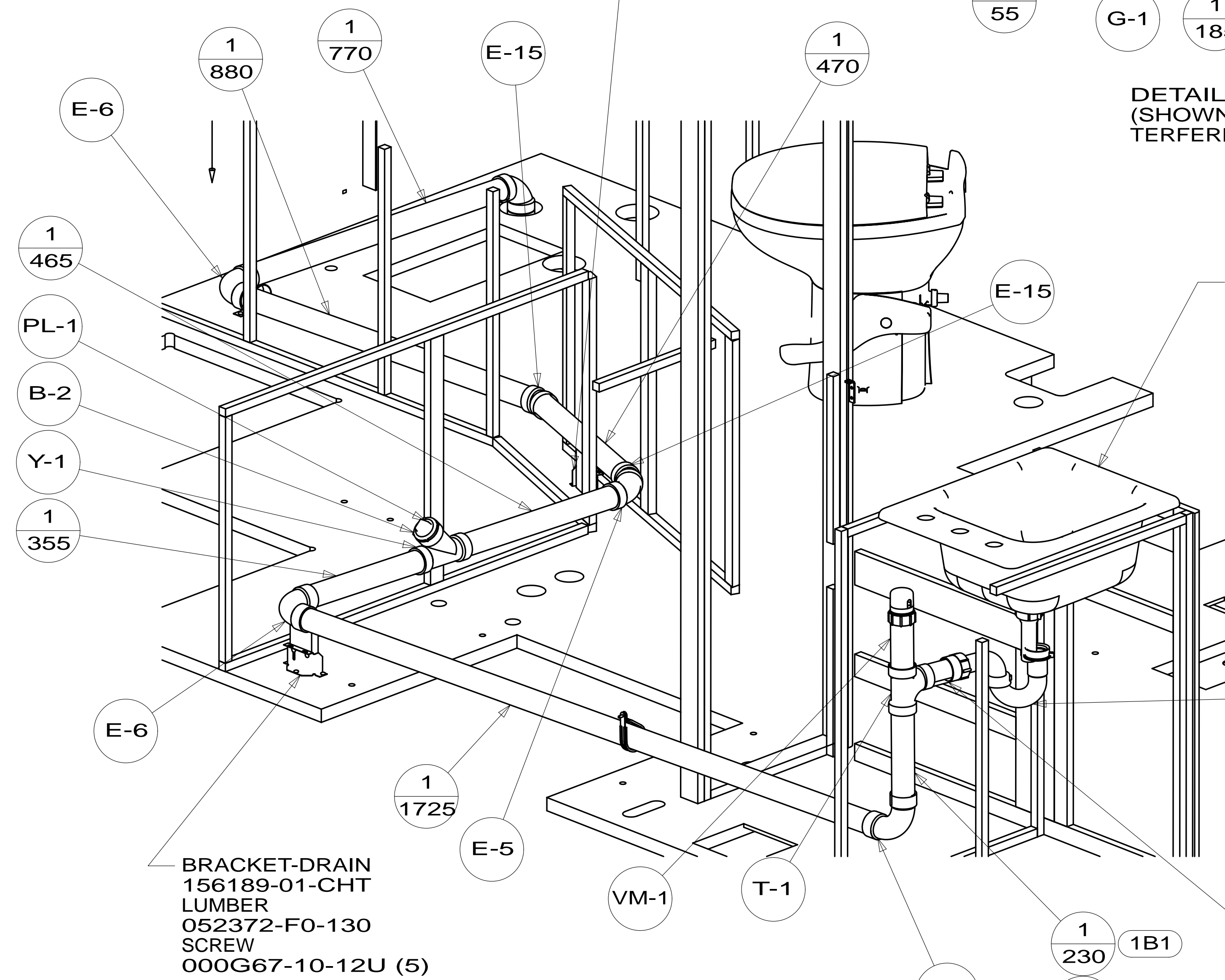
DETAIL BC  
(SHOWN WITHOUT INTERFERING GEOMETRY)

SINK-LAVATORY  
096927-01-CHT  
SEAL  
091255-02-000 (A/R)

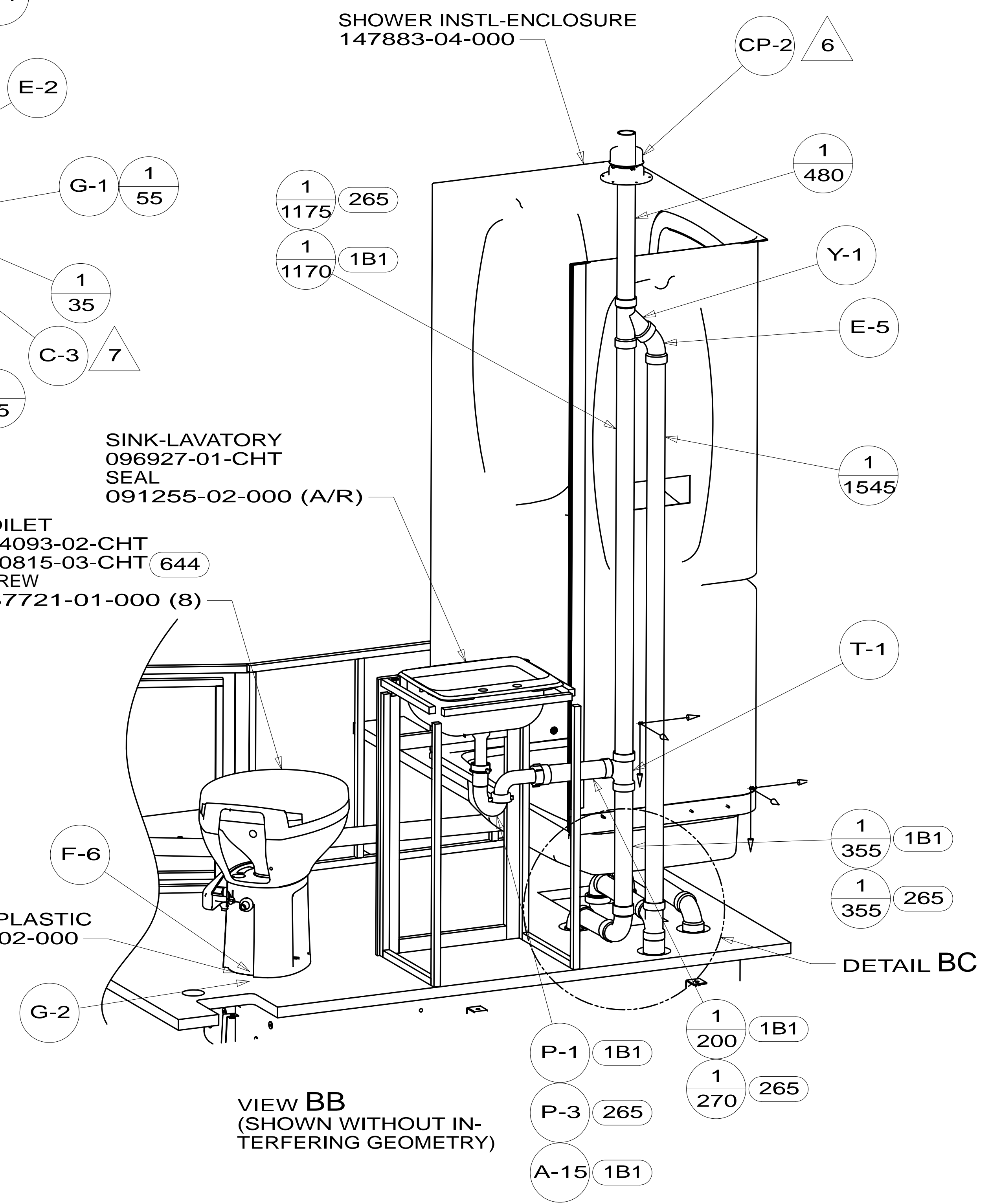
TOILET  
184093-02-CHT  
160815-03-CHT (644)  
SCREW  
087721-01-000 (8)

SINK-GALLEY  
186604-01-CHT  
STRAINER-SINK  
092303-01-000  
WASHER-RUBBER  
127440-02-CHT  
TAIL PIECE  
011069-02-000  
NUT-SLIP  
130403-01-000

NIPPLE-PLASTIC  
010129-02-000



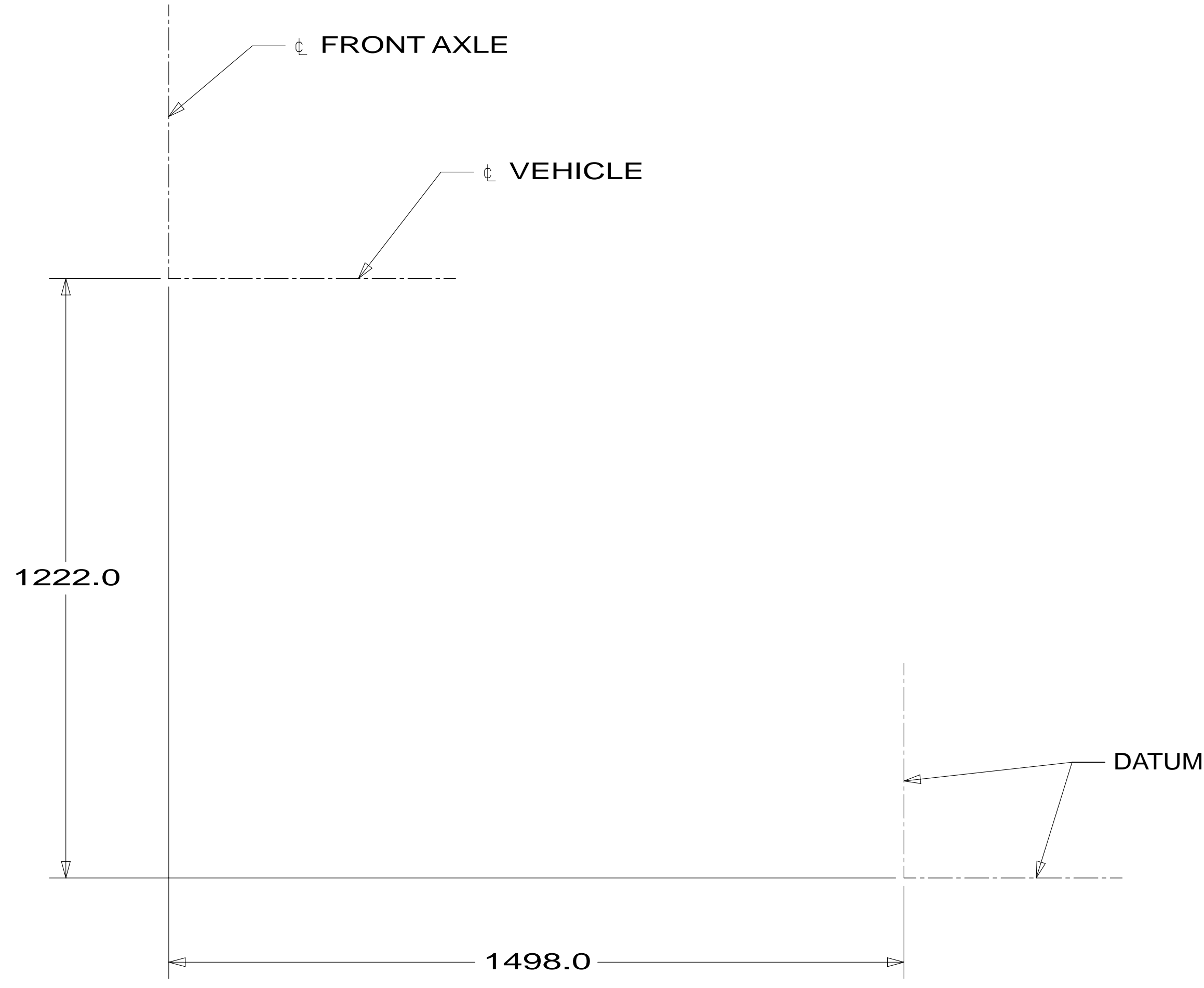
VIEW BA  
(SHOWN WITHOUT INTERFERING GEOMETRY)



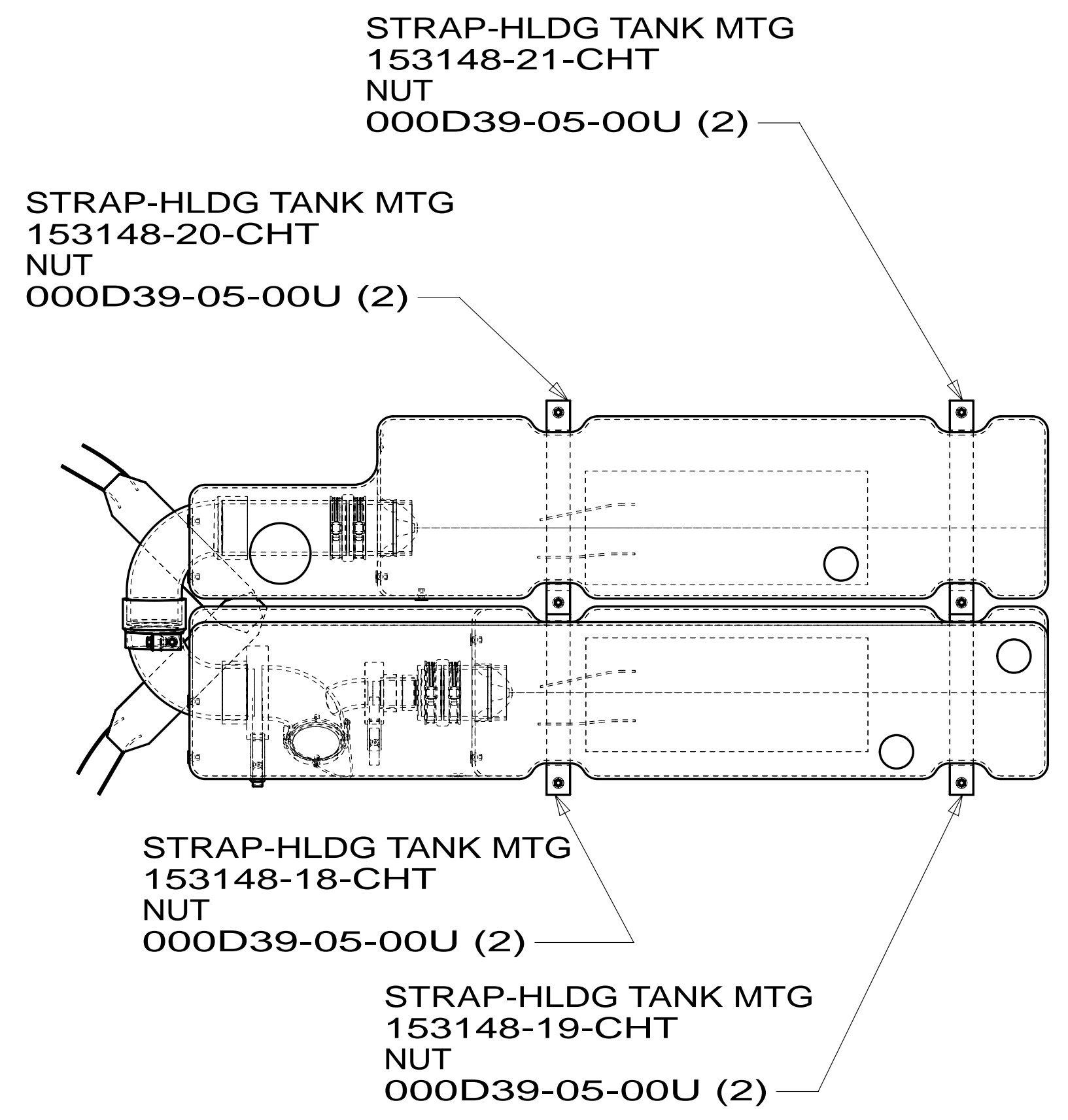
VIEW BB  
(SHOWN WITHOUT INTERFERING GEOMETRY)

FIRST USED	14 322R
DO NOT SCALE DRAWING	
TITLE: DRAINAGE SYSTEM INSTL	
SHEET 2	PART NO 185534 REV
28-Mar-2014	

\* 185534 \* A



VIEW CC

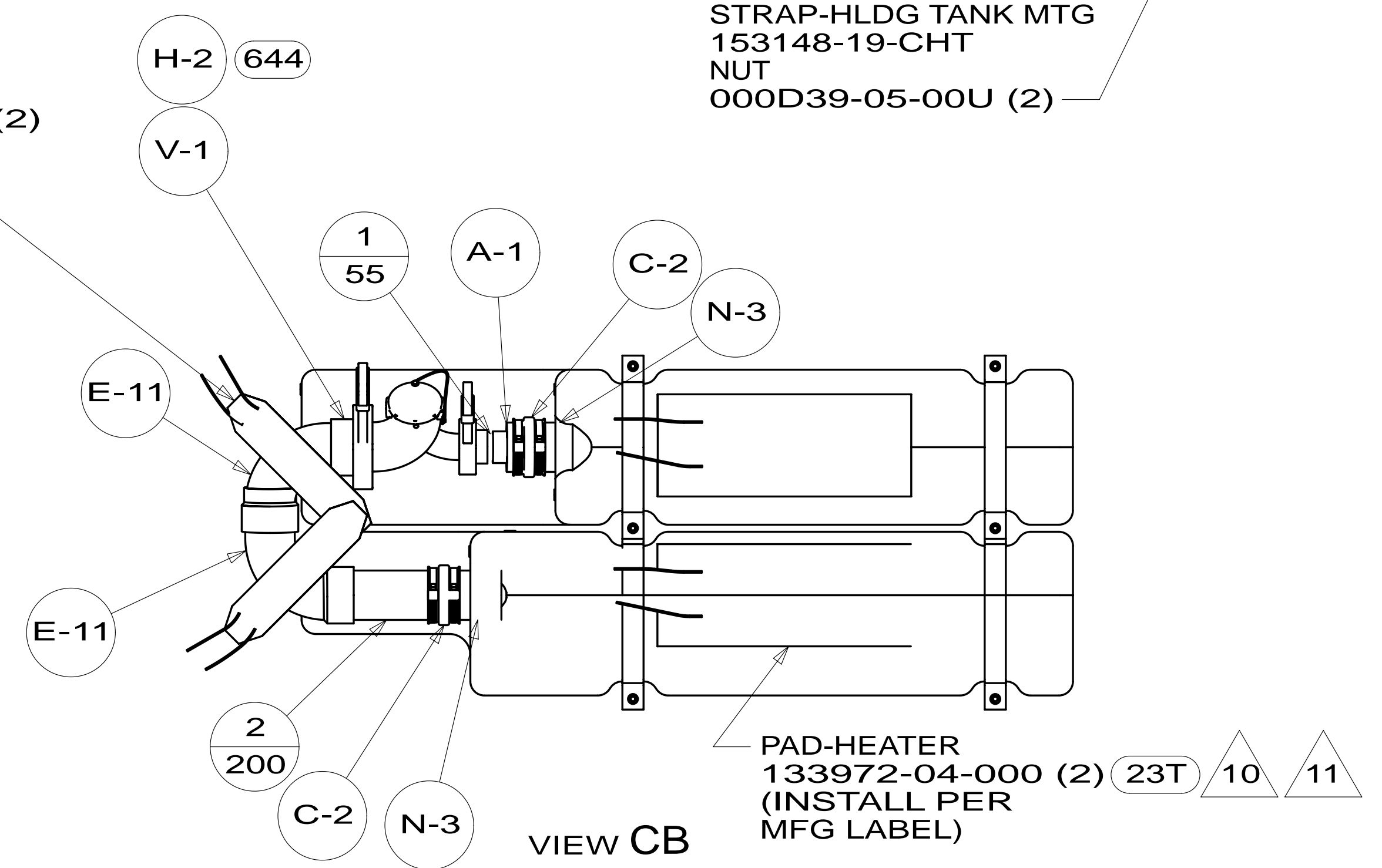


- HANGER-STRAP 140220-06-CHT
- NUT 000D39-05-00U
- HOLDER-RING 141443-05-CHT
- BOLT 000C26-05-16U
- NUT 000D39-05-00U

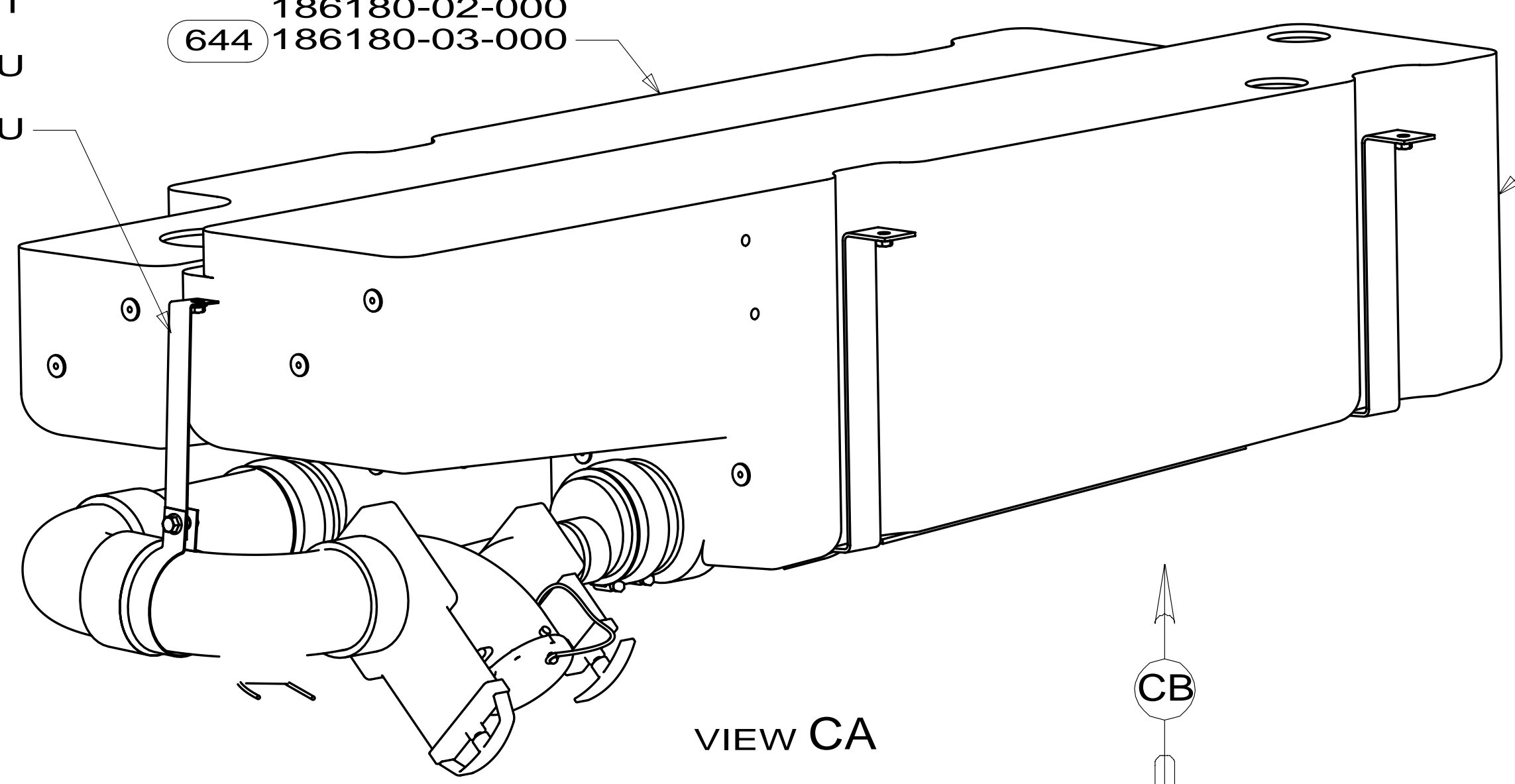
- TANK ASM 186180-02-000
- 644 186180-03-000

- 11 10 23T PAD-HEATER 133972-05-000 (2) (INSTALL PER MFG LABEL)

- TANK ASM 186179-02-000
- 186179-03-000 644



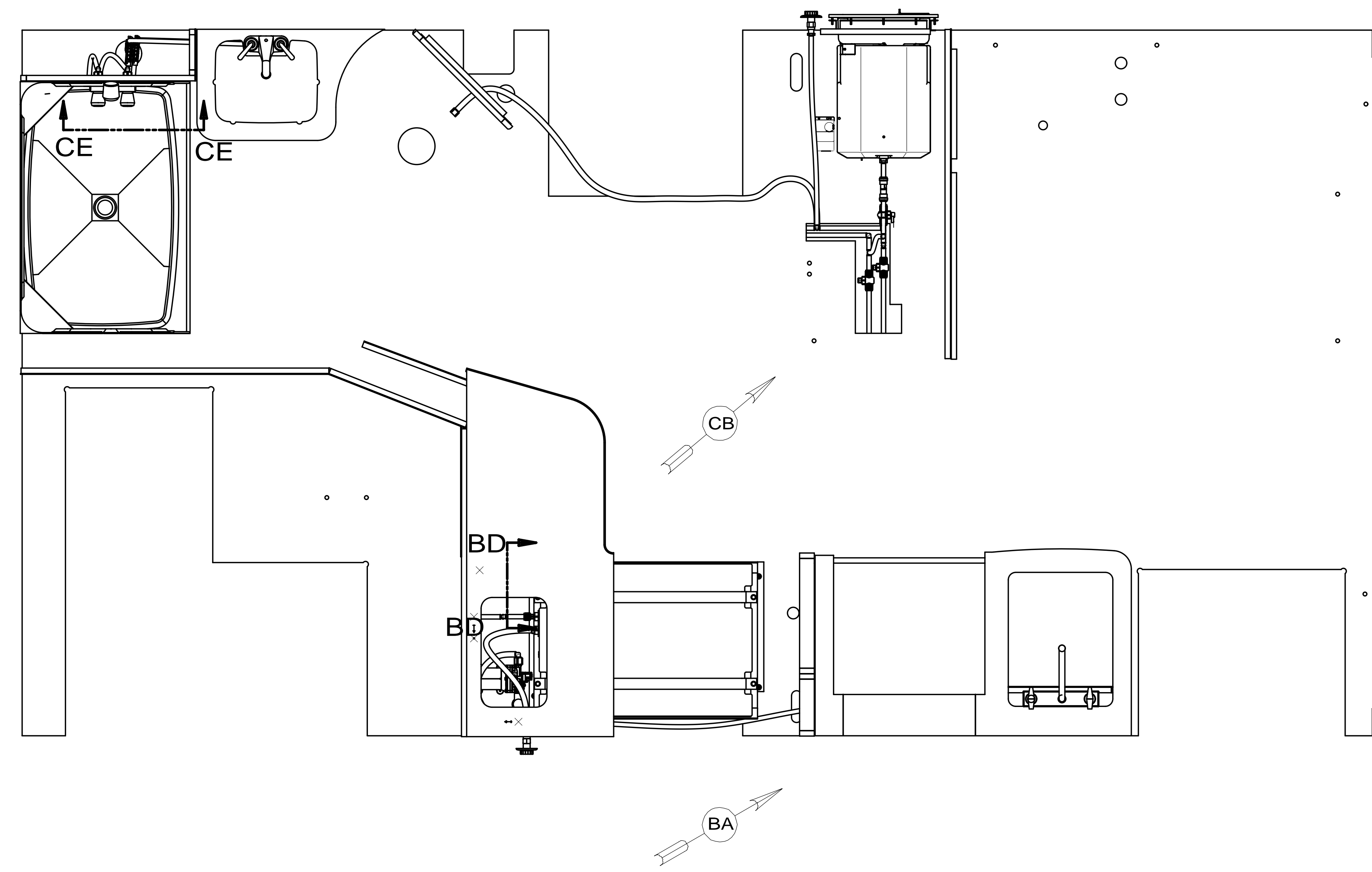
VIEW CB



VIEW CA

FIRST USED	14 322R	
TITLE:	DO NOT SCALE DRAWING	
	DRAINAGE SYSTEM INSTL	
SHEET 3	PART NO 185534	REV
		28-Mar-2014

\*185534 \*A



- 10. NOT USED W/ (644)
- 9. ALL CRIMP FITTINGS TO 3/4" PEX TUBING REQUIRE 3/4" CLAMP 140171-05-000.
- 8. ALL CRIMP FITTINGS TO 1/2" PEX TUBING REQUIRE 1/2" CLAMP 140171-03-000.
- 7. ALL CRIMP FITTINGS TO 5/8" FLEX TUBING REQUIRE 5/8" CLAMP 140171-04-000.
- 6. LABEL HOT AND COLD SUPPLY TUBES AND TAPE FITTING TO TUBE BEFORE CABINET SET TO PREVENT MOVEMENT.
- 5. ADD PIPE WRAP (LADDER SCRAP 110157-02-000) INSULATION.
- 4. ADD TEFLON TAPE 010405-01-000.
- 3. ALL TUBING TO BE SECURED AT 1200 INTERVALS MAXIMUM WITH CLAMP 010495-01-000 AND SCREW 000G67-10-12U OR EQUIVALENT.
- 2. TUBING TO BE INSTALLED WITH SUFFICIENT SLOPE TO PROVIDE DRAINAGE TO NEAREST VALVE.
- 1. PLASTIC FITTINGS TO BE SEALED WITH SEALANT 084456-01-000.

644 GREAT ALASKAN RENTAL PACKAGE

		COPYRIGHT 2014 WINNEBAGO INDUSTRIES, INC.	
DFT-ORIG	ORIG. DATE	ALL DIMENSIONS ARE IN MILLIMETERS	
CHKR			
P.E.			
M.E.	FIRST USED		
DSNR		14 322R	
UNSPECIFIED TOLERANCES ARE:		MATERIAL:	
WHOLE DIM (X)	: 3		
ONE-PLACE (X.X)	:		
TWO-PLACE (X.XX)	:		
ANGLE	:		
THIRD ANGLE PROJECTION			
DO NOT SCALE DRAWING		REFER TO ES0018 FOR FASTENER TIGHTENING GUIDELINES	
TITLE: WATER SYSTEM INSTL			
SHEET 1 OF 3	PART NO	185537	REV
REF:	1	24-Apr-2014	

FOR WATER CALLOUTS SEE DWG NO 116230-01-000

\* 185537 \* A



STRAP-TANK,WATER  
118994-24-CHT (2)  
NUT  
000D39-05-00U (4)  
BOLT  
000C26-05-40U (4)

SUPPORT ASM-TANK,WATER  
184672-01-CHT  
STRAP ASM-WATER TANK  
156675-02-CHT (2)  
NUT  
000D39-05-00U (4)

FAUCET-GALLEY  
140117-03-CHT

FILL-CITY WATER  
167984-01-CHT  
SCREW  
000G67-10-12U(3)  
(TANK FILL)

TANK-WATER,40 GAL  
184648-02-000  
184648-03-000

SCREW  
000G60-08-12U

FAUCET-GALLEY  
149164-01-CHT

DETAIL BG  
OPTION 644

DETAIL BC  
(SHOWN W/OUT CABINETS)

SECTION BD-BD  
(ROTATED)

DETAIL BF  
644

DETAIL BB

VIEW BA

PLYWOOD-CUTSIZE  
000852-51-A09

DETAIL BB OR  
644 DETAIL BG

FIRST USED	14 322R
TITLE:	DO NOT SCALE DRAWING
	WATER SYSTEM INSTL
SHEET 2	PART NO 185537 REV
	24-Apr-2014

\*185537 \*A

WATER HEATER INSTL  
186899-04-000  
PLATFORM ASM  
184166-01-000

10 FAUCET-LAV  
186417-01-CHT  
644 165730-01-CHT

PANEL-SHOWER FAUCET  
167738-02-CHT  
SCREW  
000G11-08-12U (4)  
COVER  
166569-01-CHT (4)  
NUT-SPEED  
040921-05-000 (2)

FILL-CITY WATER  
167984-01-CHT  
SCREW  
000G67-10-12U(3)  
(CITY CONNECTION)

SECTION CE-CE

VIEW CA

VIEW CB

DETAIL CD  
(SHOWN W/OUT CABINETS)

DETAIL CC  
(SHOWN W/OUT CABINETS)

FIRST USED	14 322R
DO NOT SCALE DRAWING	
TITLE: WATER SYSTEM INSTL	
SHEET 3	PART NO 185537 REV

\* 185537 \* A