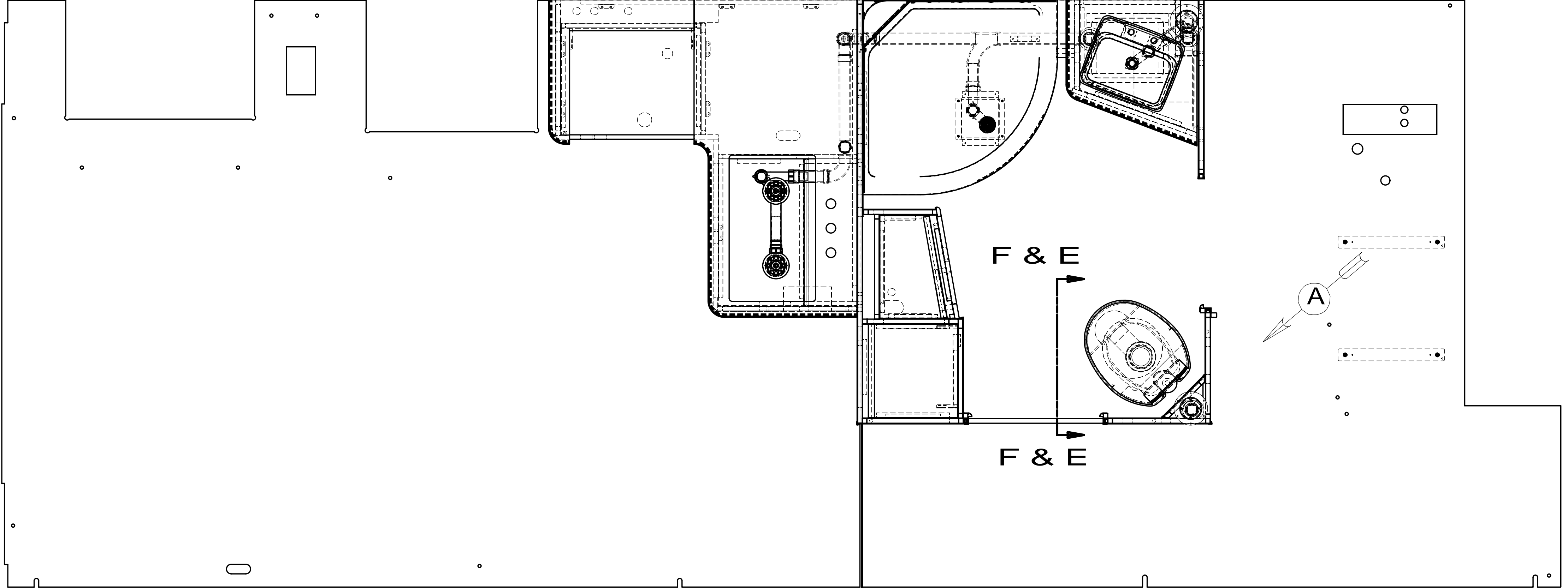


DWG NO	MODEL	SECTION	SINK	STRAINER
181383-01	231R	E-E	179864-01-CHT	092303-01-000
181383-02	231RP	F-F	179864-02-CHT	163569-01-000

RELEASE	REV DATE	DWG NO	181383
REV ZONE	REVISION RECORD	DATE	DFT-ORIG

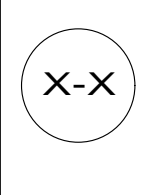


- 10. USE SMOOTH PLUMBERS PUTTY 167459-01-000 TO SEAL STRAINER (0.2 PER STRAINER).
- 9. PREP THE SURFACE PER MANUFACTURERS INSTRUCTIONS, THEN APPLY ADHESIVE 067788-04-000 (0.10) ON PREPARED AREA BEFORE APPLYING THE HEATING PAD PER MANUFACTURERS INSTRUCTIONS.
- 8. SECURE PIPES TO CABINET USING WIRE TIE 108046-02-000 AND SCREW 000G67-10-12B.
- 7. SECURE VENT TUBES TO FLOOR WITH CLAMP 062401-02-000 (2), SCREW 000G67-10-12B (2), AND BRACKET 136878-01-CHT (2).
- 6. VENT PIPE MUST PROJECT 51 MIN AND 64 MAX ABOVE ROOF FOR PROPER FIT AND FUNCTION.
- 5. SEAL AROUND SHOWER WITH SILICONE.
- 4. SEE WIRING INSTL-BODY, 12V FOR ELECTRICAL CONNECTION.
- 3. ALL PIPE AND FITTINGS TO BE ASSEMBLED WITH SOLVENT 004020-01-000 (USA), 004020-02-000 (CAN)
- 2. SLOPE OF TRAP ARM MUST BE 6 PER 305 mm.
- 1. SLOPE OF HORIZONTAL PIPING TO BE MIN 3 PER 305 mm.

- 1B1 CODES/STANDARDS-USA
- 265 CODES/STANDARDS-CSA/CMVSS
- 23T DRAINAGE SYSTEM-HEATED

		COPYRIGHT 2013 WINNEBAGO INDUSTRIES, INC.	
DFT-ORIG	ORIG. DATE	ALL DIMENSIONS ARE IN MILLIMETERS	
CHKR			
P.E.			
M.E.	FIRST USED	13 231R	
DSNR			
UNSPECIFIED TOLERANCES ARE:		MATERIAL:	
WHOLE DIM (X)	: 3		
ONE-PLACE (X.X)	: 1.5		
TWO-PLACE (X.XX)	: 0.50		
ANGLE	: 1°		
THIRD ANGLE PROJECTION			
DO NOT SCALE DRAWING		REFER TO ES0018 FOR FASTENER TIGHTENING GUIDELINES	
TITLE: DRAINAGE SYSTEM INSTL			
SHEET 1 OF 3	PART NO	181383	REV
REF:	1	06-Jun-2013	

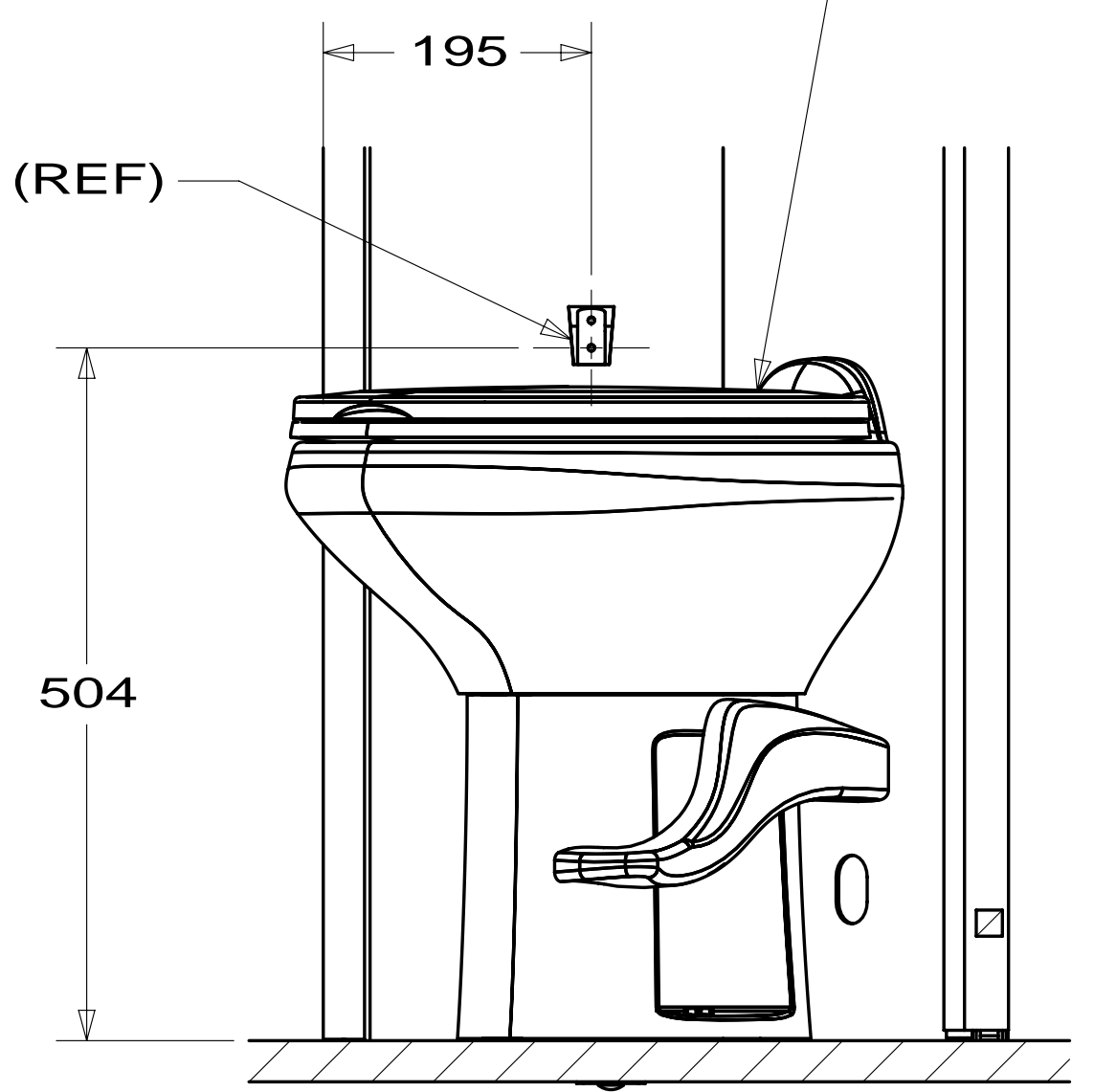
FOR DRAINAGE CALLOUTS SEE DWG NO 116229-01-000



NOTES:

* 181383 *

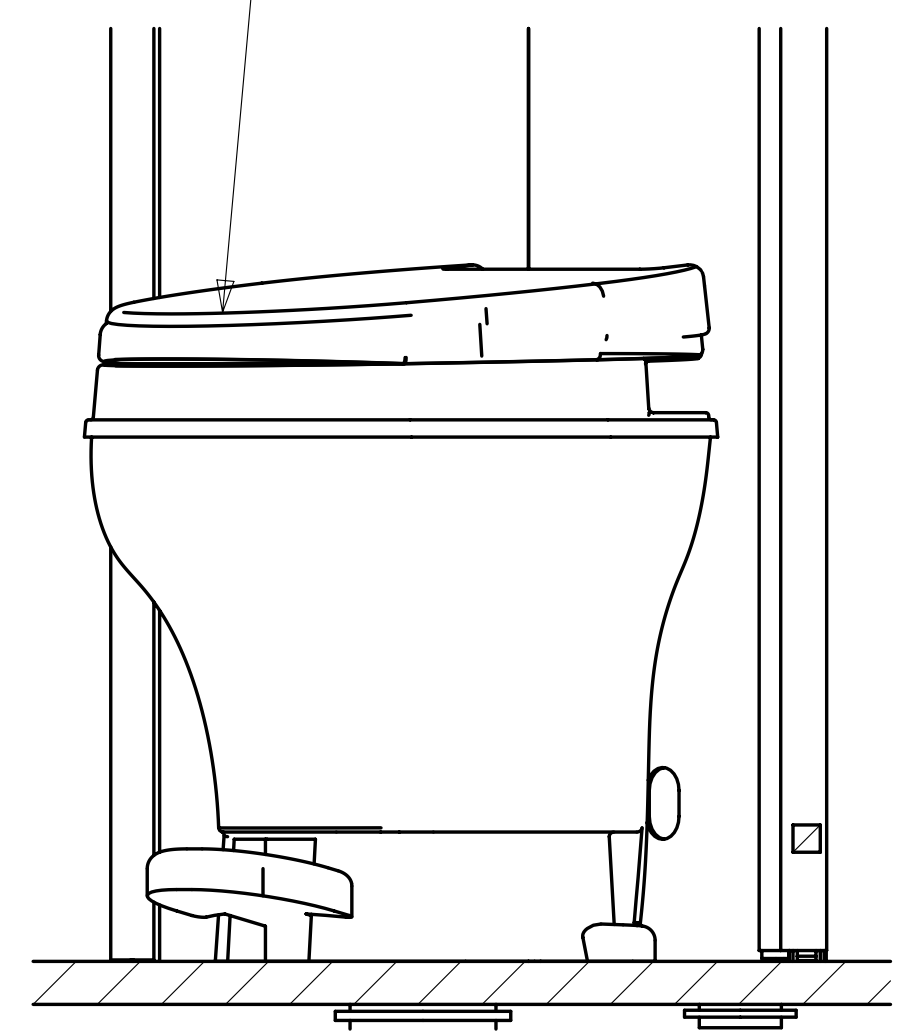
TOILET
160815-01-CHT
SCREW
087721-01-000 (8)



SECTION F-F

SINK
(SEE TAB)
STRAINER
(SEE TAB) (2) 10
SEAL
091255-03-000
(2130)

TOILET
147421-04-CHT
SCREW
087721-01-000 (6)



SECTION E-E

SINK
096927-01-CHT
SEAL
091255-02-000(A/R)

1B1 A-15

265 P-3

1B1 P-1

265 1 130

1B1 1 80

T-1

N-3

G-2

E-5

E-5

1 440

P-1 1B1

P-3 265

A-15 1B1

7 G-1

COVER-P-TRAP
15526-03-CHT
SCREW
000G67-10-12U(8)
SEALANT
072889-18-000

SHOWER-ASM
168115-07-000
STAINER
066440-01-000
TAIL PIECE
011069-06-000
SEALER
069640-01-000
NUT
130403-01-000
WASHER-RUBBER
127440-02-CHT

VIEW A

VIEW B

DETAIL C

STRAP-CONDUIT, 2"
008406-01-000

VM-1

T-1

E-3

W-2

P-1 1B1

P-3 265

A-15 1B1

1 145 1B1

1 170 265

1 105 E-1

1 110 E-1

E-6

1 355

E-1

1 55

1 340

1 410

C-3

1 55

G-1 7

P-1 1B1

P-3 265

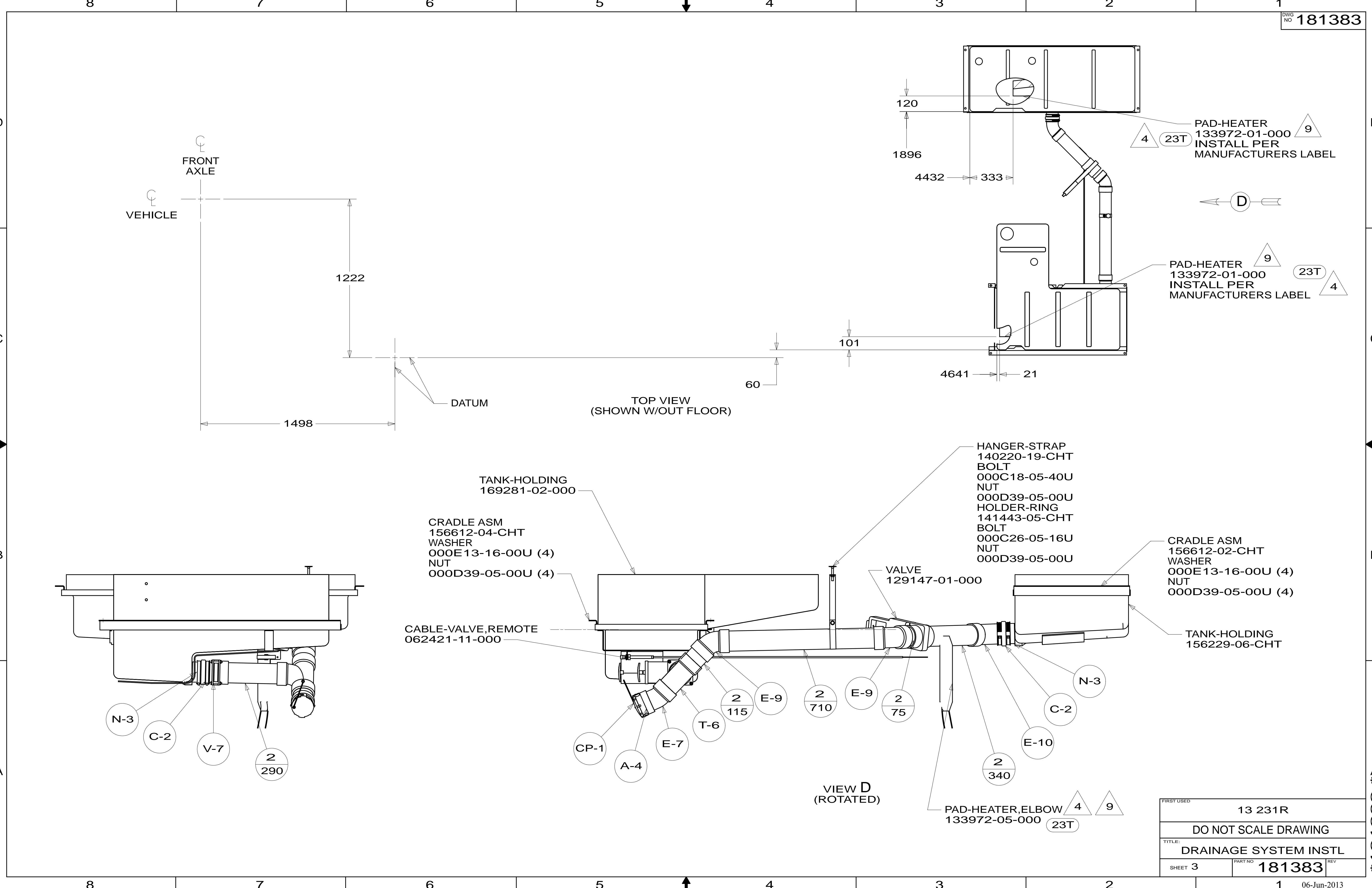
A-15 1B1

7 G-1

DETAIL C

FIRST USED	13 231R
DO NOT SCALE DRAWING	
TITLE: DRAINAGE SYSTEM INSTL	
SHEET 2	PART NO 181383 REV
06-Jun-2013	

* 181383 * A

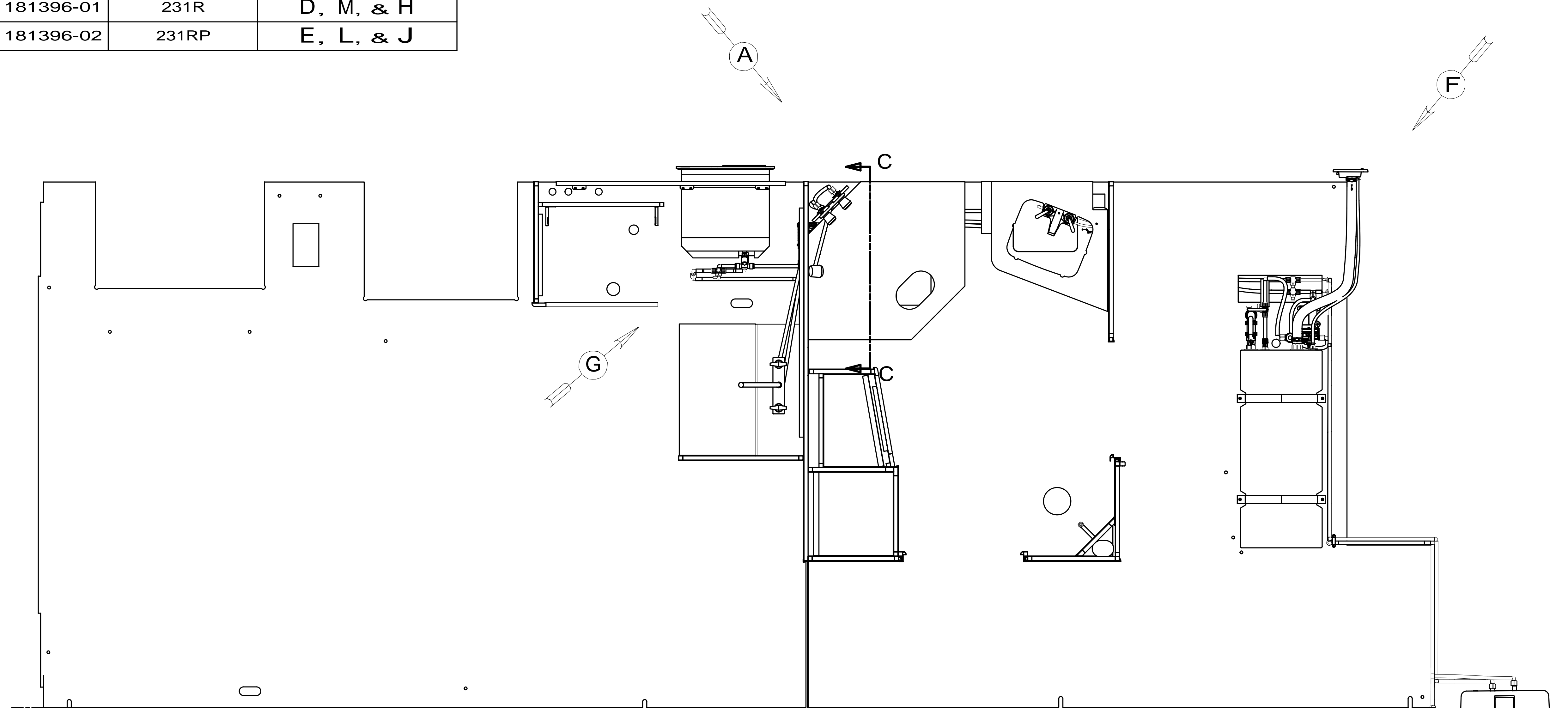


FIRST USED	13 231R	
TITLE:	DO NOT SCALE DRAWING	
SHEET 3	PART NO	181383
	REV	
06-Jun-2013		

* 181383 * A

DWG NO	MODEL	VIEWS OR DETAILS
181396-01	231R	D, M, & H
181396-02	231RP	E, L, & J

RELEASE	REV DATE	DWG NO	181396
REV ZONE	REVISION RECORD	DATE	DFTR-ORIG



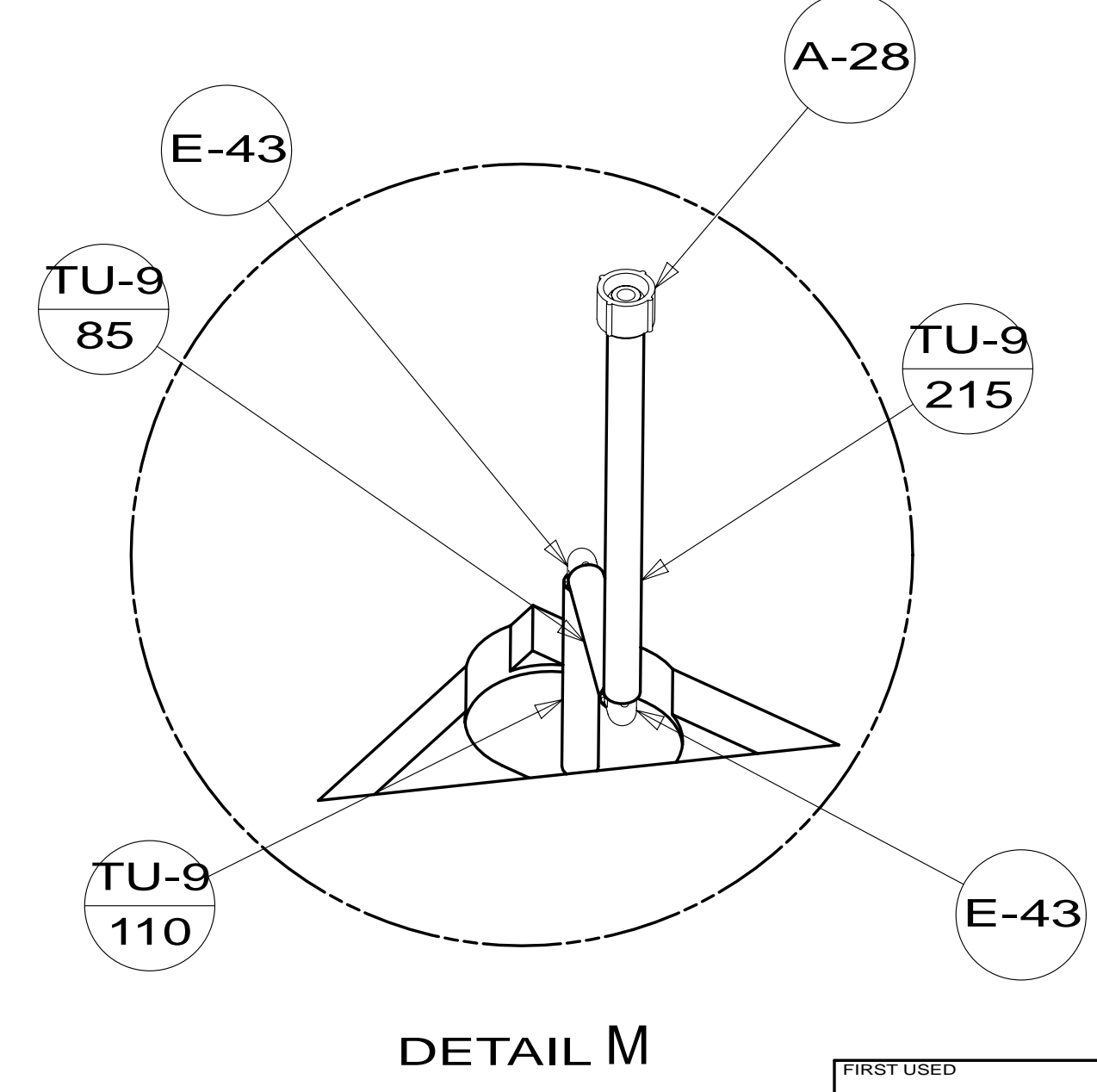
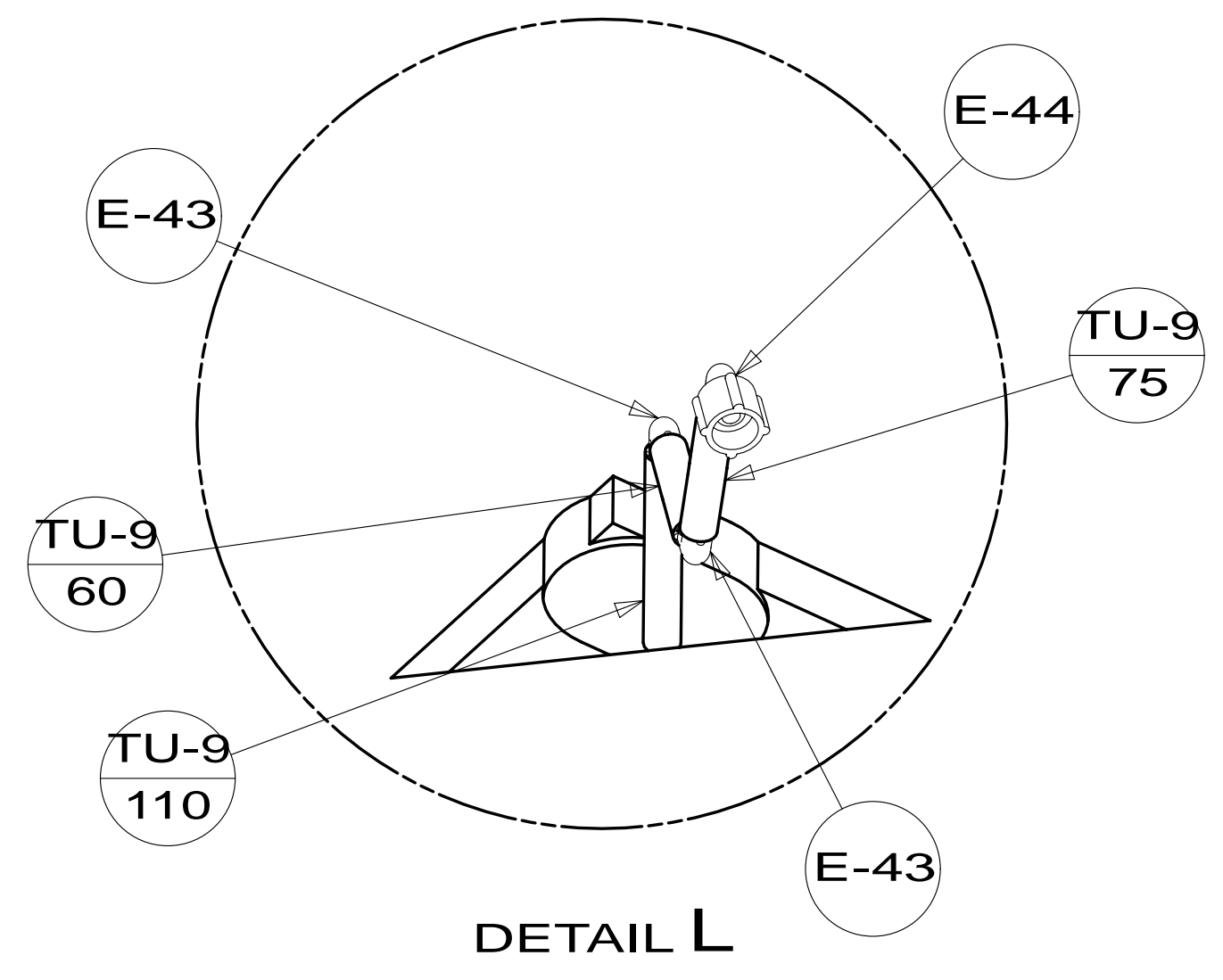
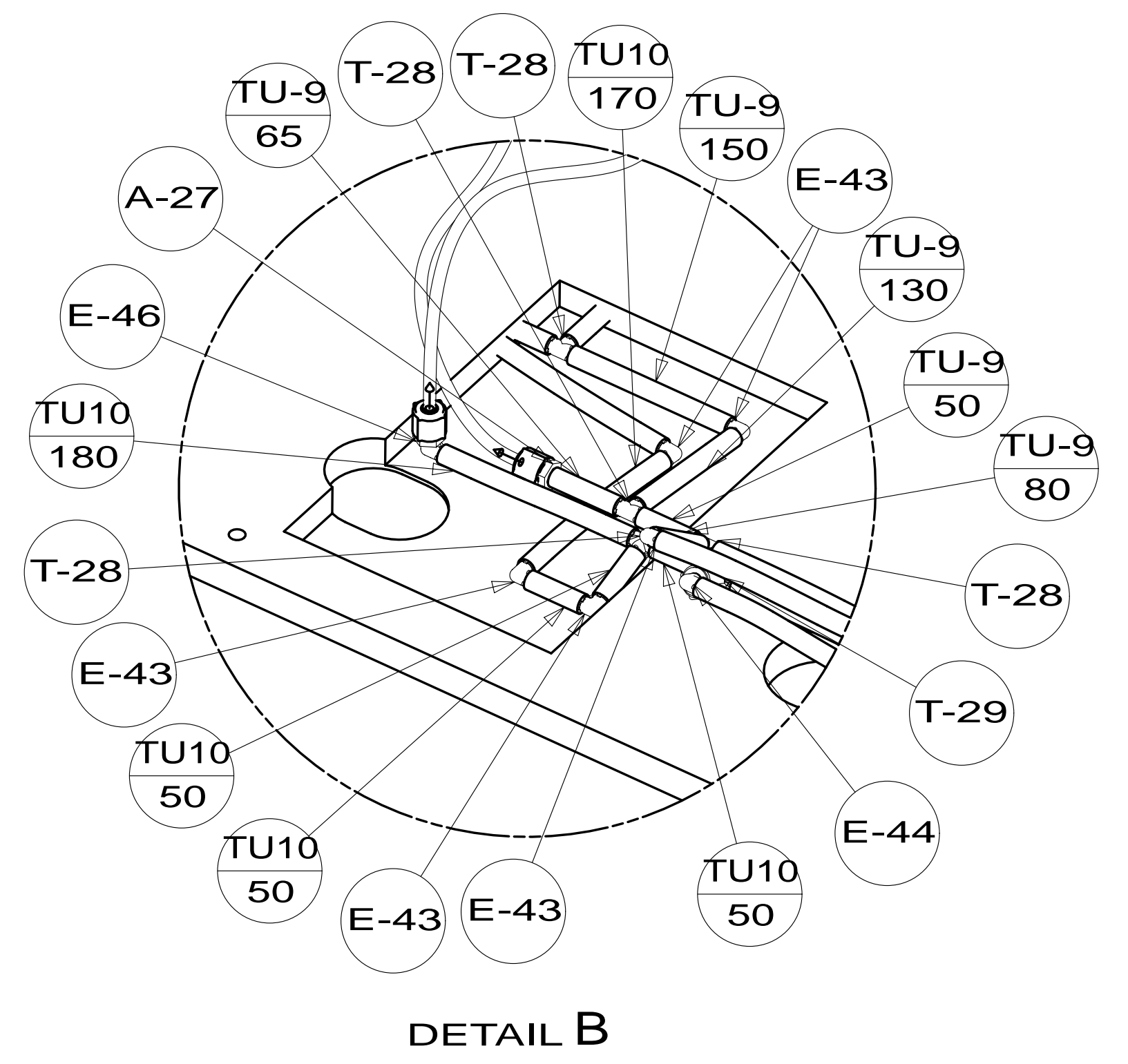
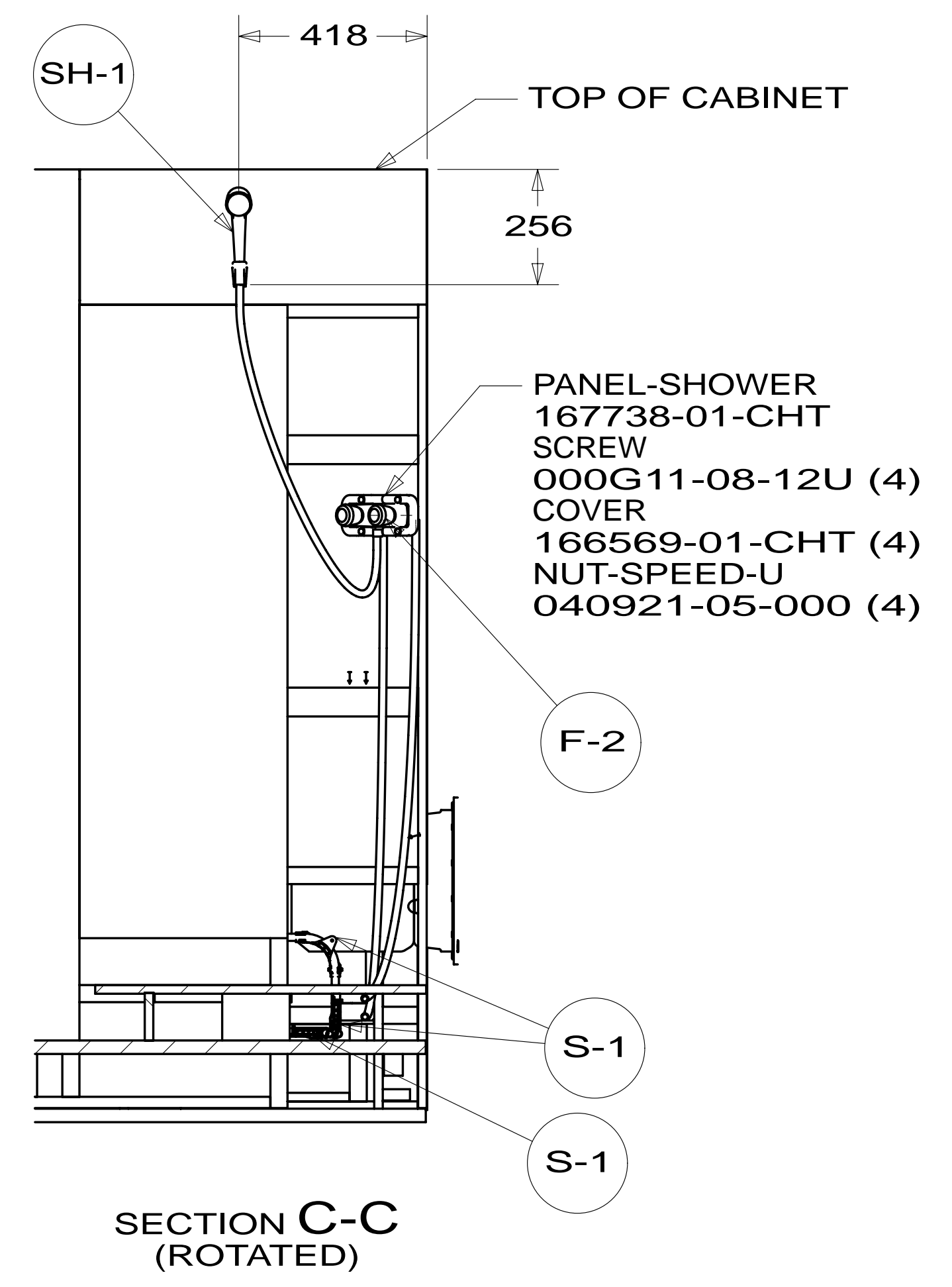
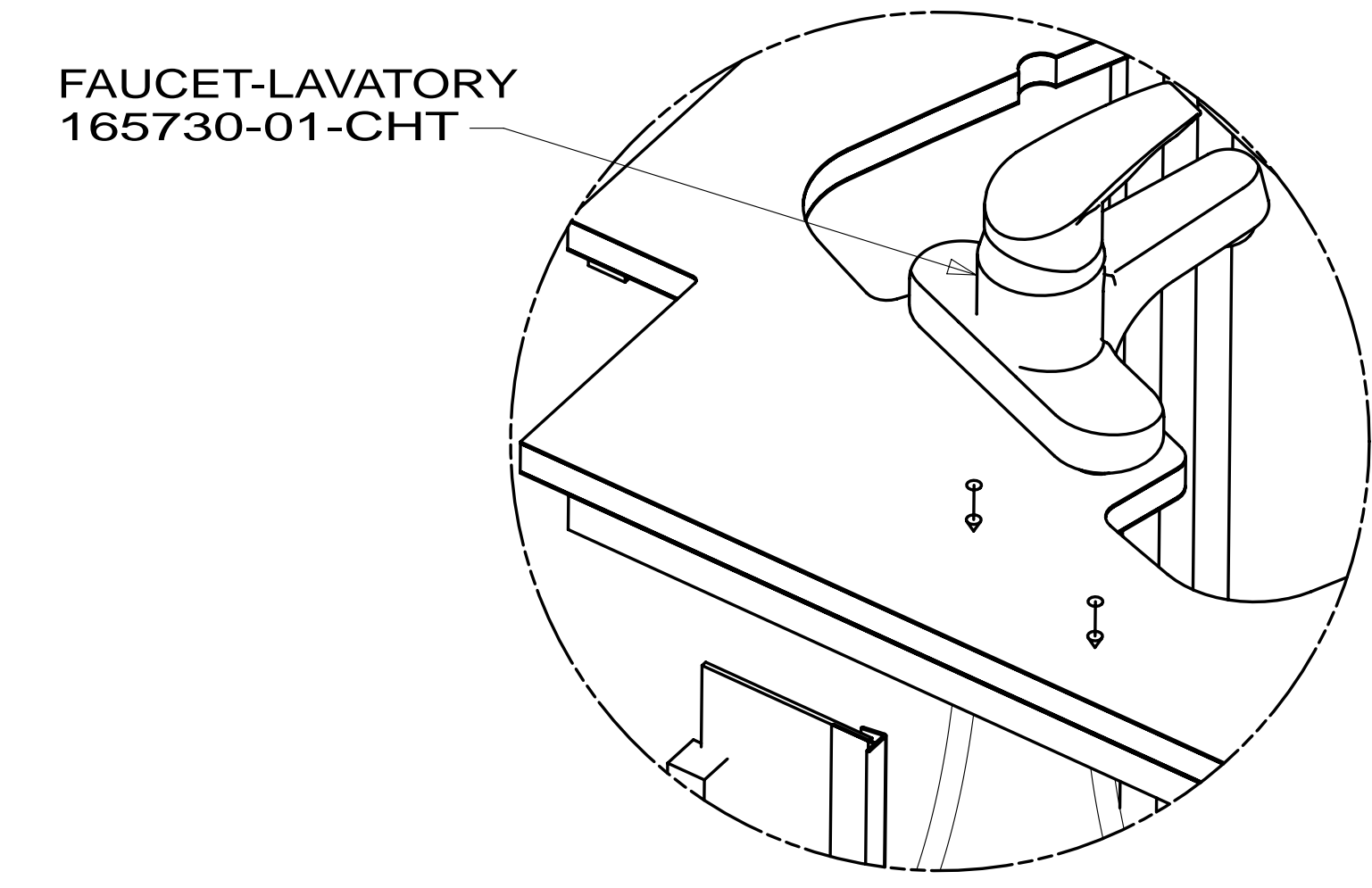
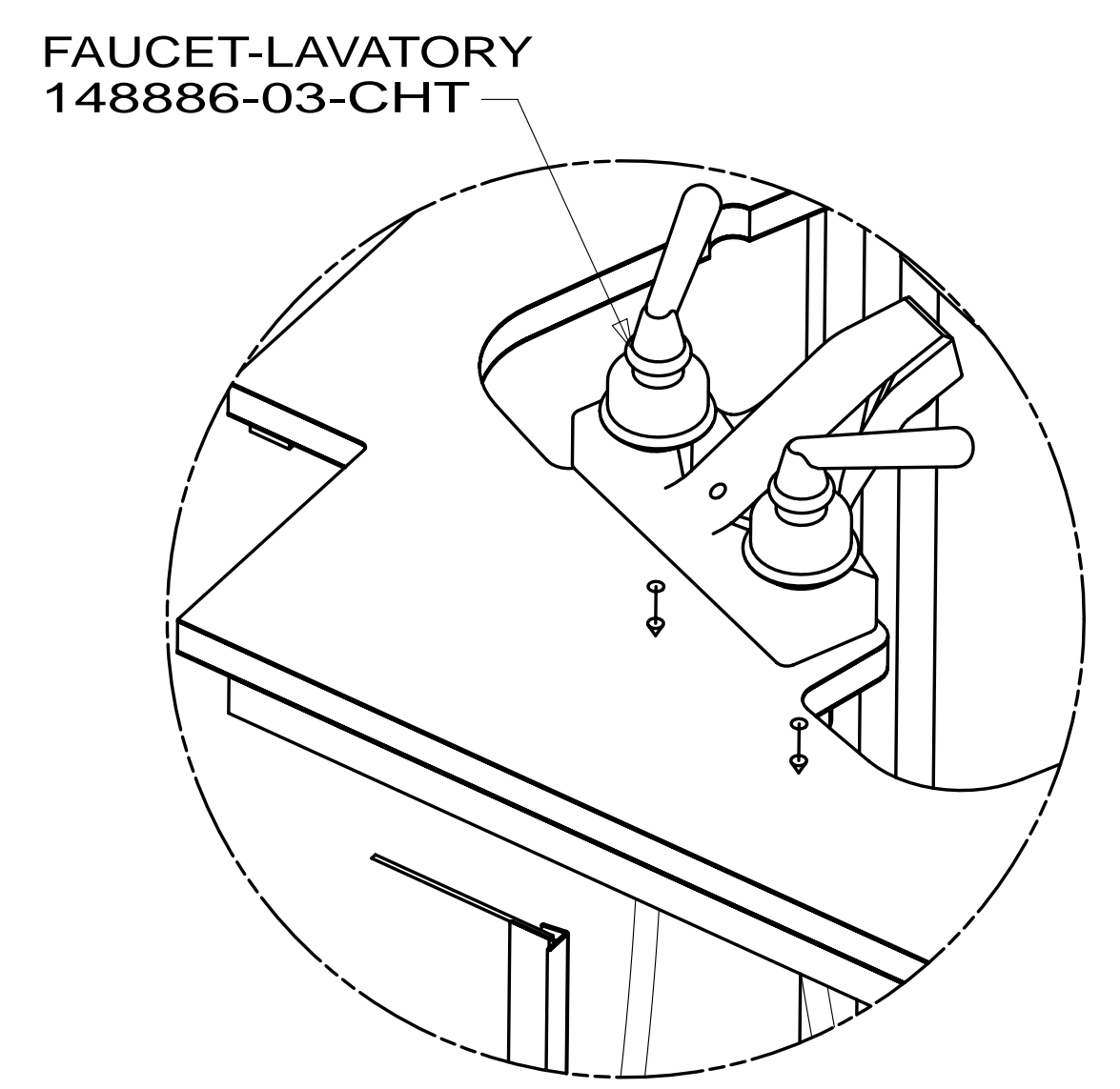
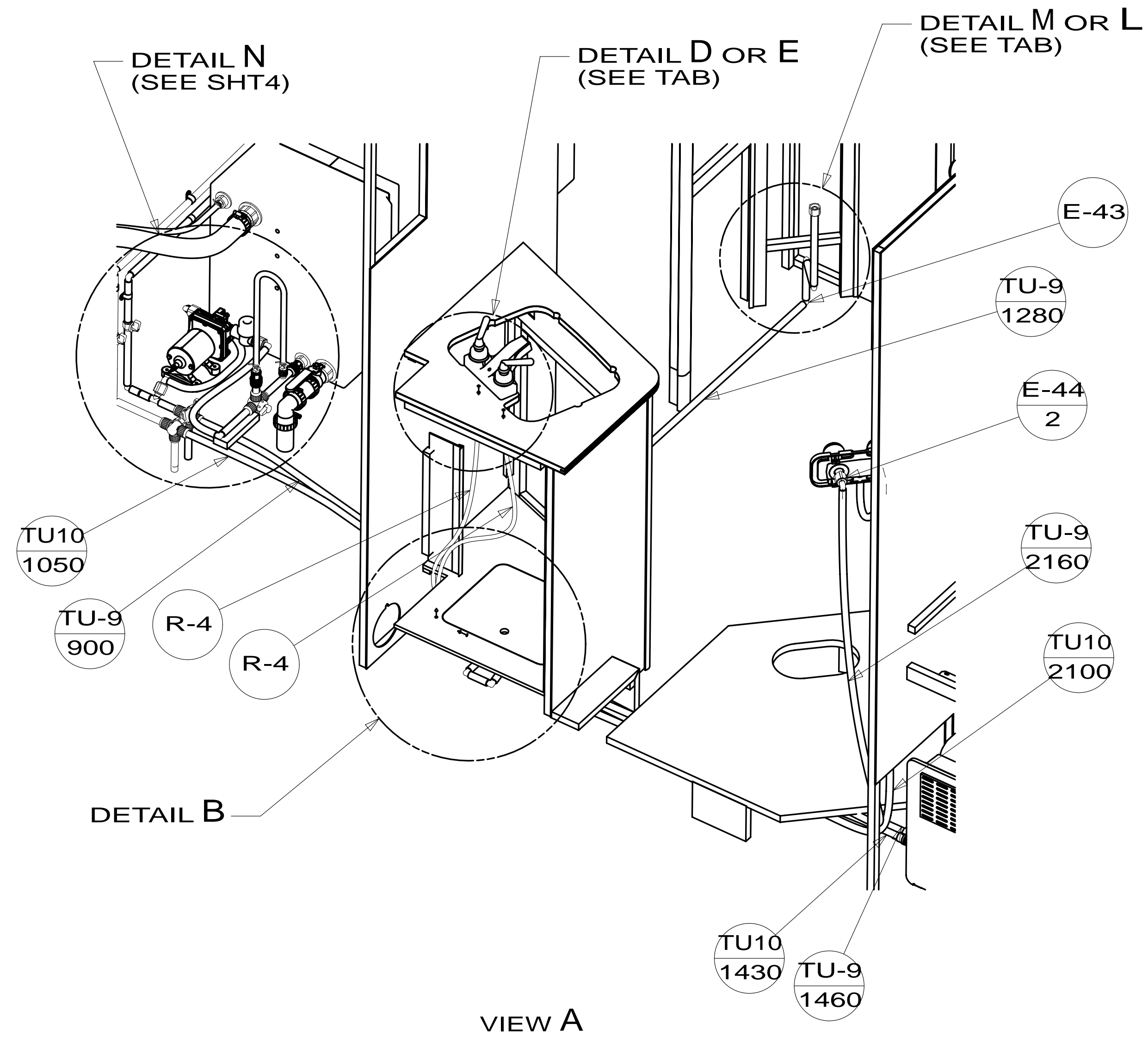
- 1J4 EXT WASH STATION - WITHOUT
- 64R EXTERIOR WASH STATION
- 53Z WATER HTR-6,GAS/120/IGN,REM
- 53F WATER HEATER-ELEC. IGNITION
- 53E WATER SYS WINTERIZATION PKG

- NOTES:
8. ALL CRIMP FITTINGS TO 1/2" PEX TUBING REQUIRE 1/2" CLAMP 140171-03-000.
 7. ALL CRIMP FITTINGS TO 5/8" PEX TUBING REQUIRE 5/8" CLAMP 140171-04-000.
 - 6 LABEL HOT AND COLD SUPPLY TUBES AND TAPE FITTING TO TUBE BEFORE CABINET SET TO PREVENT MOVEMENT.
 - 5 ADD PIPE WRAP (LADDER SCRAP 110157-02-000) INSULATION.
 - 4 ADD TEFLON TAPE 010405-02-000.
 3. ALL TUBING TO BE SECURED AT 1200 INTERVALS MAXIMUM WITH CLAMP 010495-01-000 AND SCREW 000G67-10-12U OR EQUIVALENT.
 2. TUBING TO BE INSTALLED WITH SUFFICIENT SLOPE TO PROVIDE DRAINAGE TO NEAREST VALVE.
 1. PLASTIC FITTINGS TO BE SEALED WITH SEALANT 084456-01-000.

WINNEBAGO		COPYRIGHT 2014 WINNEBAGO INDUSTRIES, INC.	
DFTR	ORIG. DATE	ALL DIMENSIONS ARE IN MILLIMETERS	
CHKR			
P.E.			
M.E.	FIRST USED		
DSNR		13 231R	
UNSPECIFIED TOLERANCES ARE:		MATERIAL:	
WHOLE DIM (X)	: 3		
ONE-PLACE (X.X)	: 1.5		
TWO-PLACE (X.XX)	: 0.50		
ANGLE	: 1°		
THIRD ANGLE PROJECTION			
DO NOT SCALE DRAWING		REFER TO ES0018 FOR FASTENER TIGHTENING GUIDELINES	
TITLE: WATER SYSTEM INSTL			
SHEET 1 OF 4	PART NO	181396	REV
REF:	1	03-Jan-2014	

FOR WATER CALLOUTS SEE DWG NO 116230-01-000

* 181396 * A



FIRST USED	13 231R	
TITLE:	DO NOT SCALE DRAWING	
	WATER SYSTEM INSTL	
SHEET 2	PART NO	181396
	REV	
		03-Jan-2014

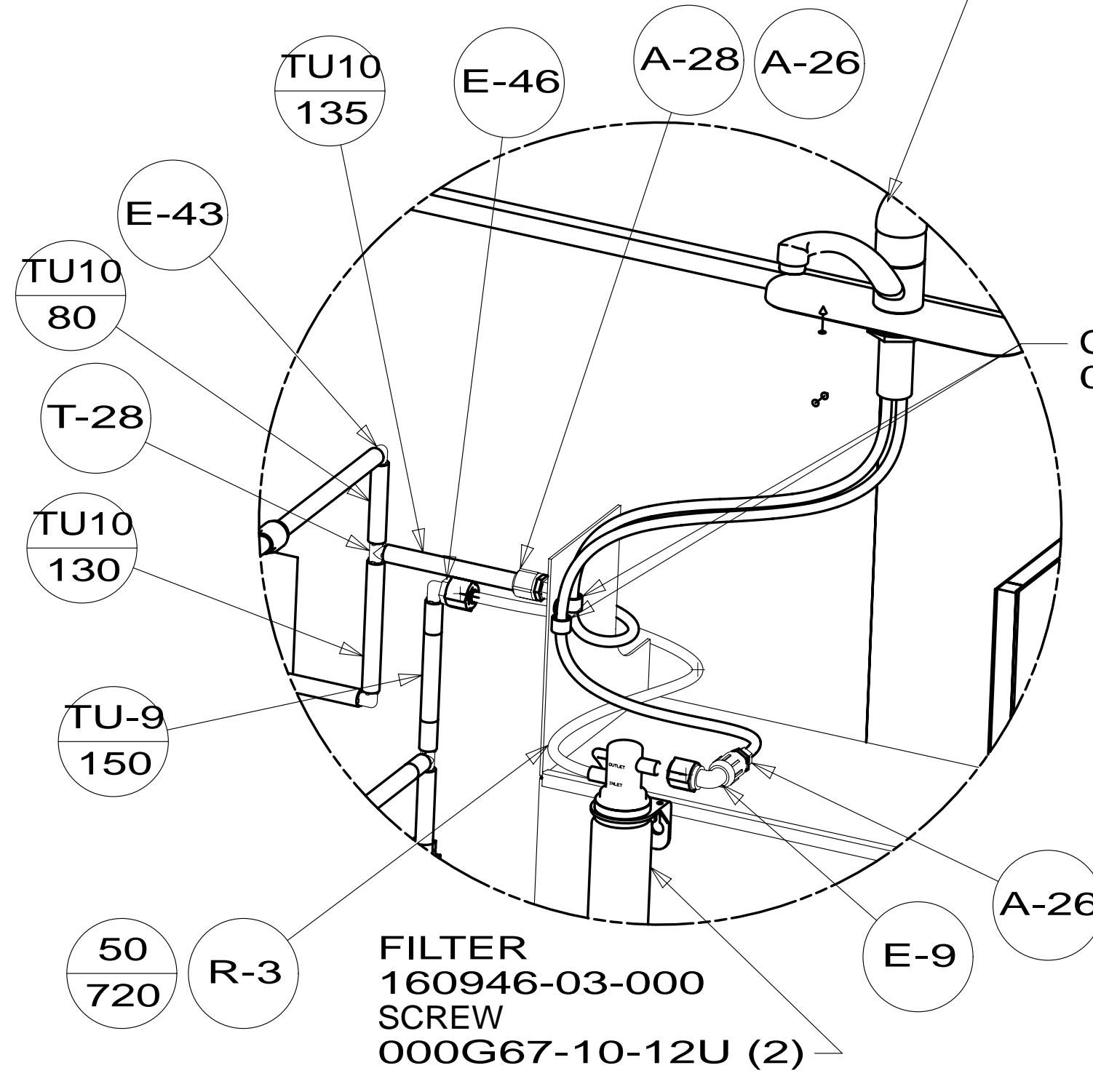
* 181396 * A

FAUCET-GALLEY
149164-01-CHT

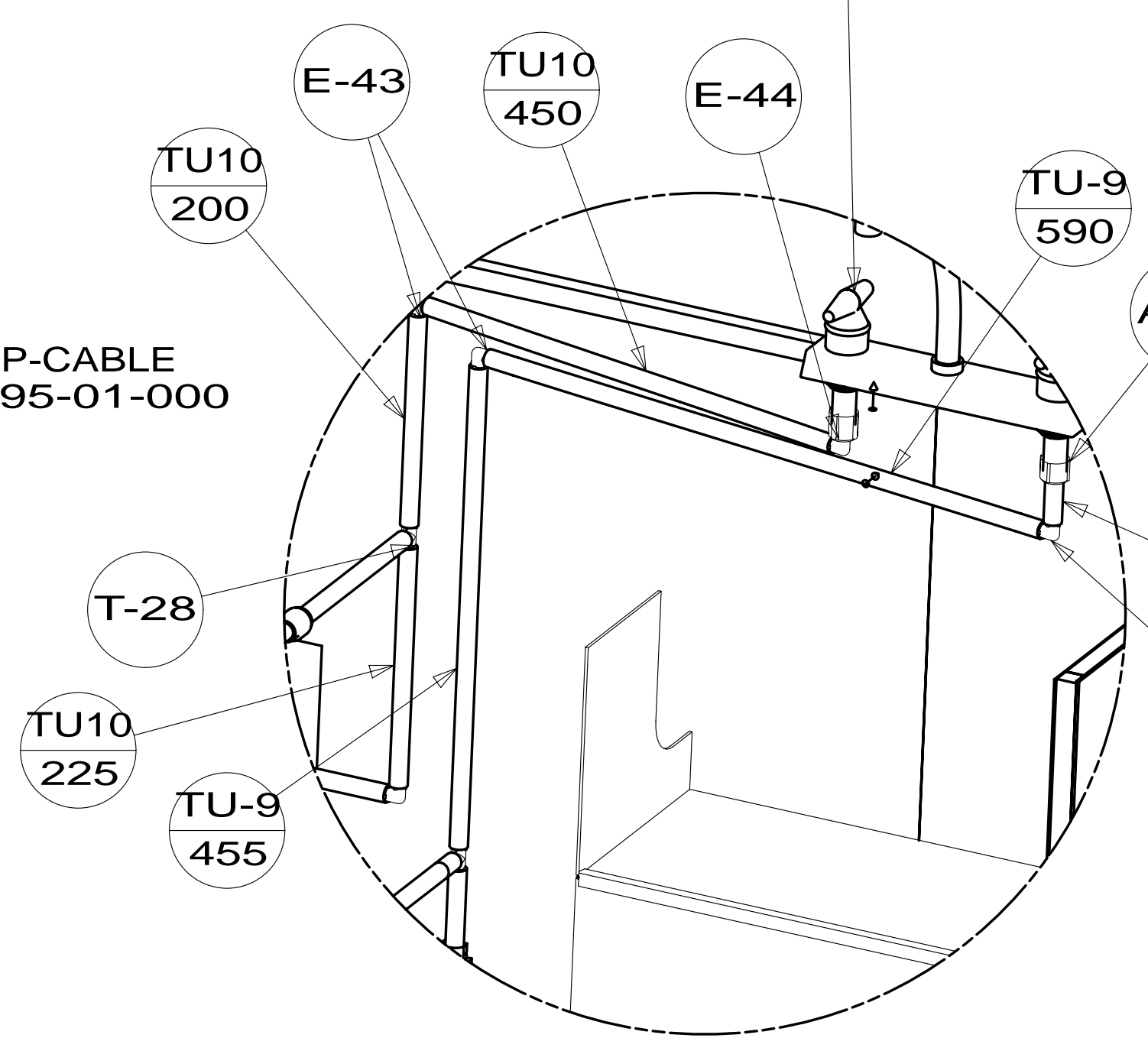
FAUCET-GALLEY
140117-03-CHT

- 53F WATER HEATER 051391-03-000
- 53Z 145541-02-000
- DOOR 125420-06-CHT
- AL EXTR 002726-51-017 (2)
- 002726-51-018 (2)
- SCREW 000G39-10-16U (20)
- CABLE 076767-03-000
- SCREW 000G11-06-08U (2)

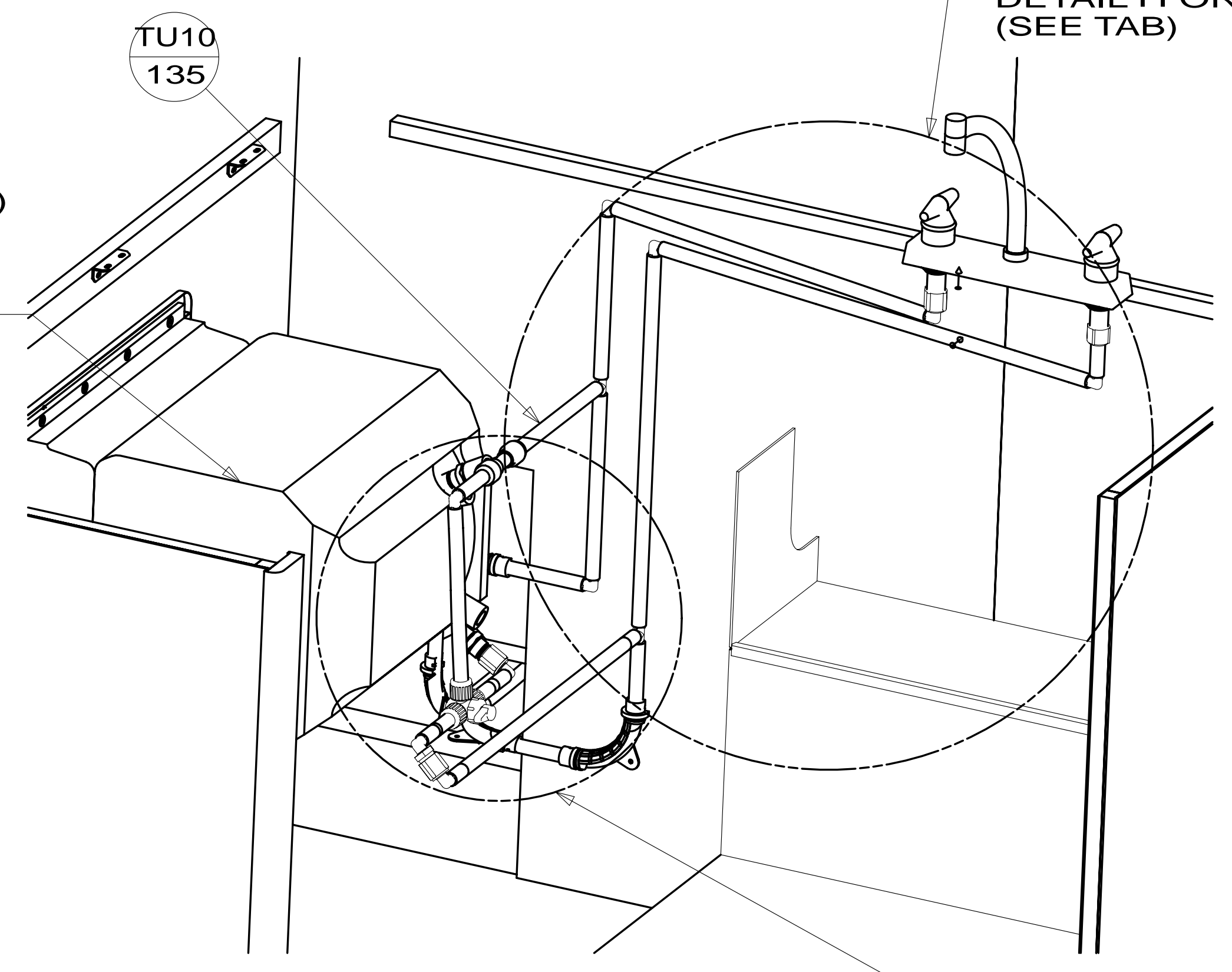
DETAIL H OR J
(SEE TAB)



DETAIL J

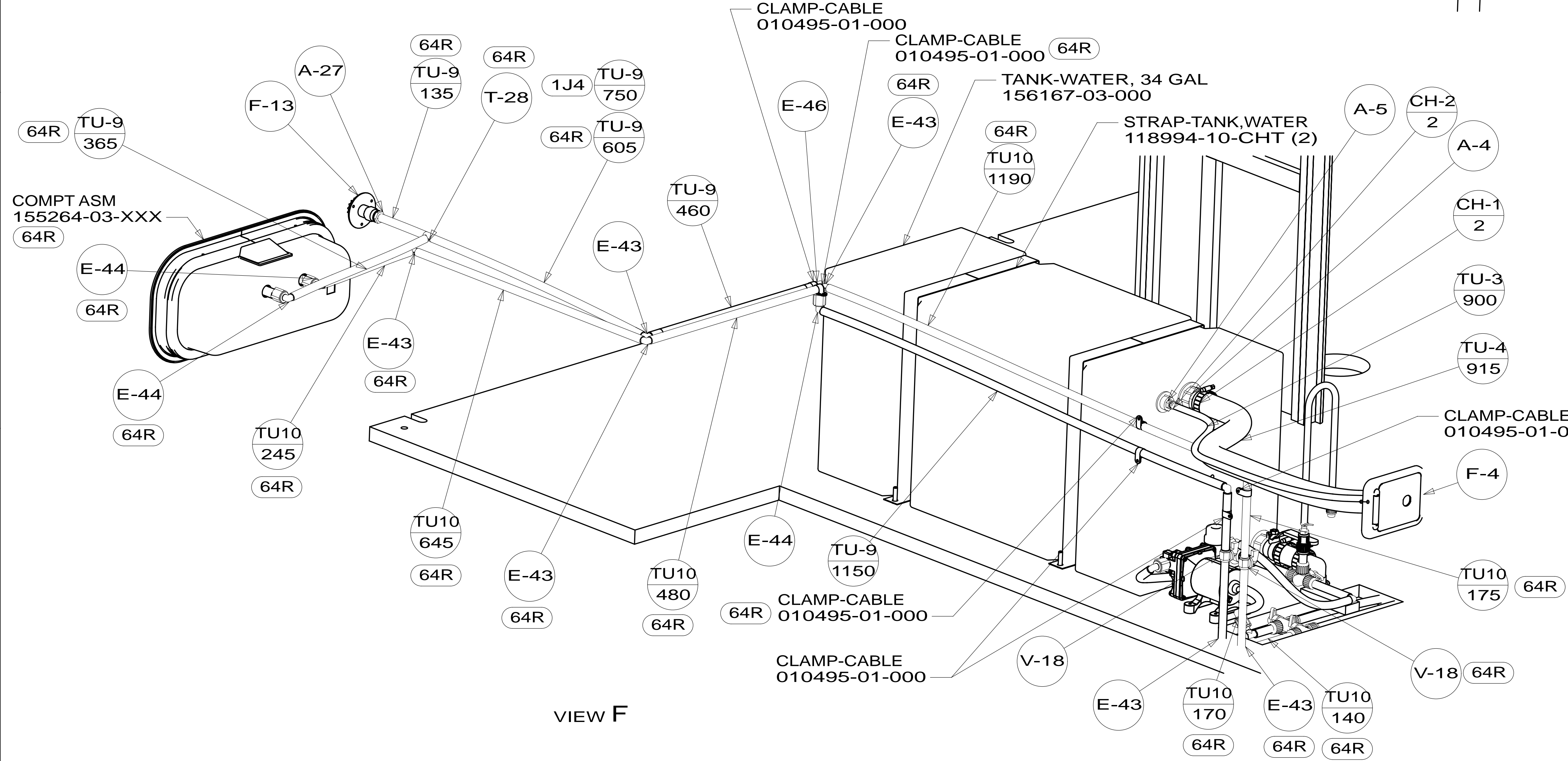


DETAIL H

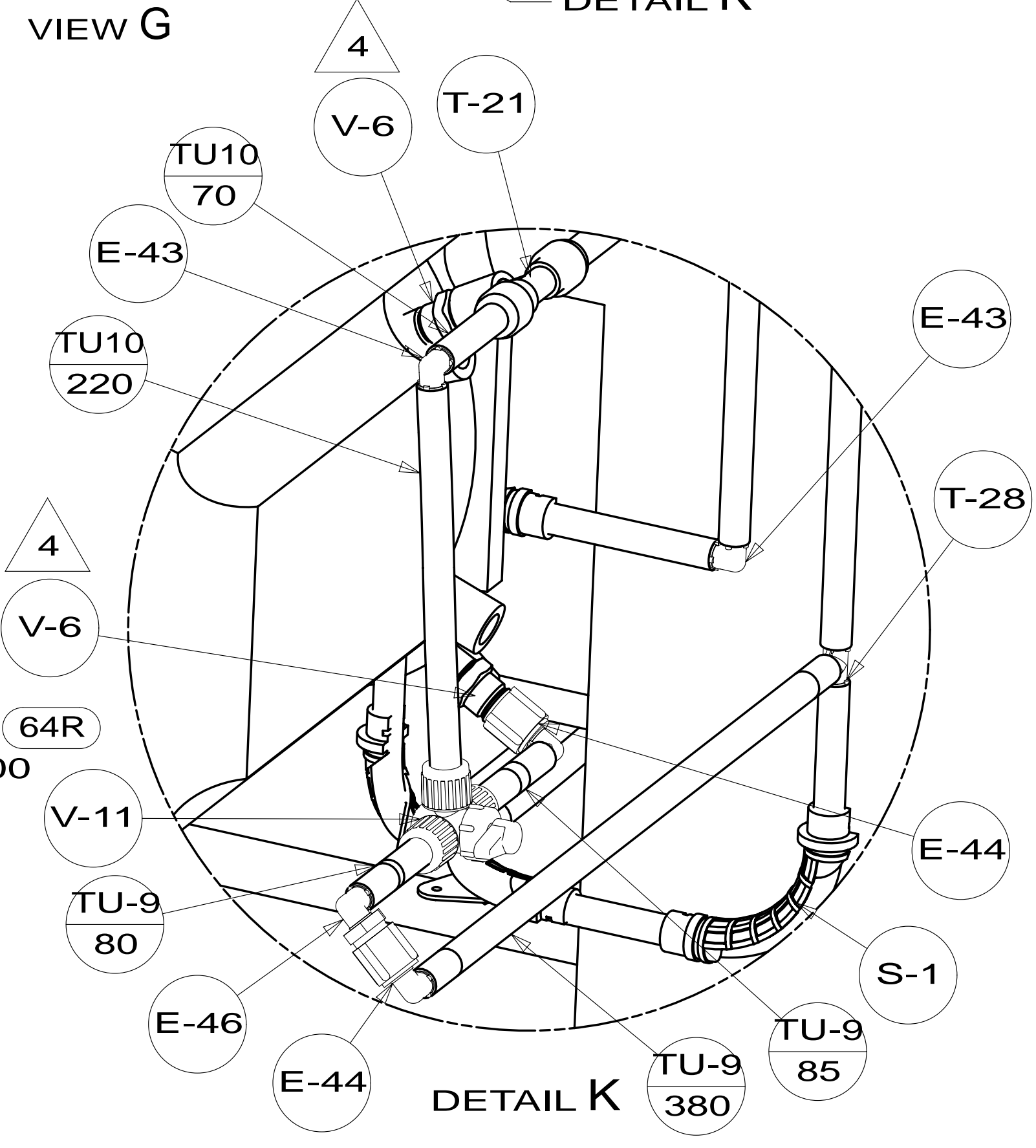


VIEW G

DETAIL K



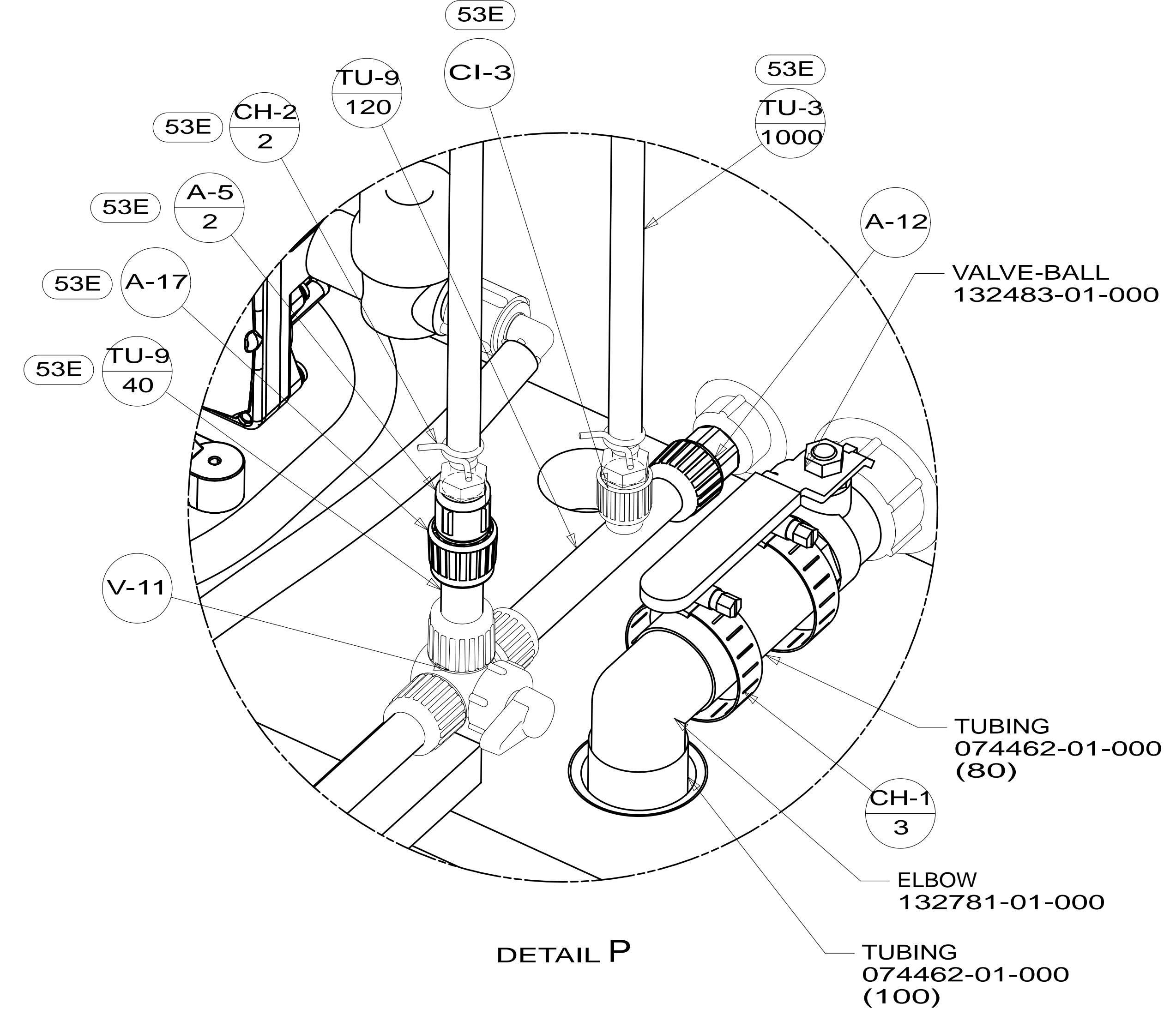
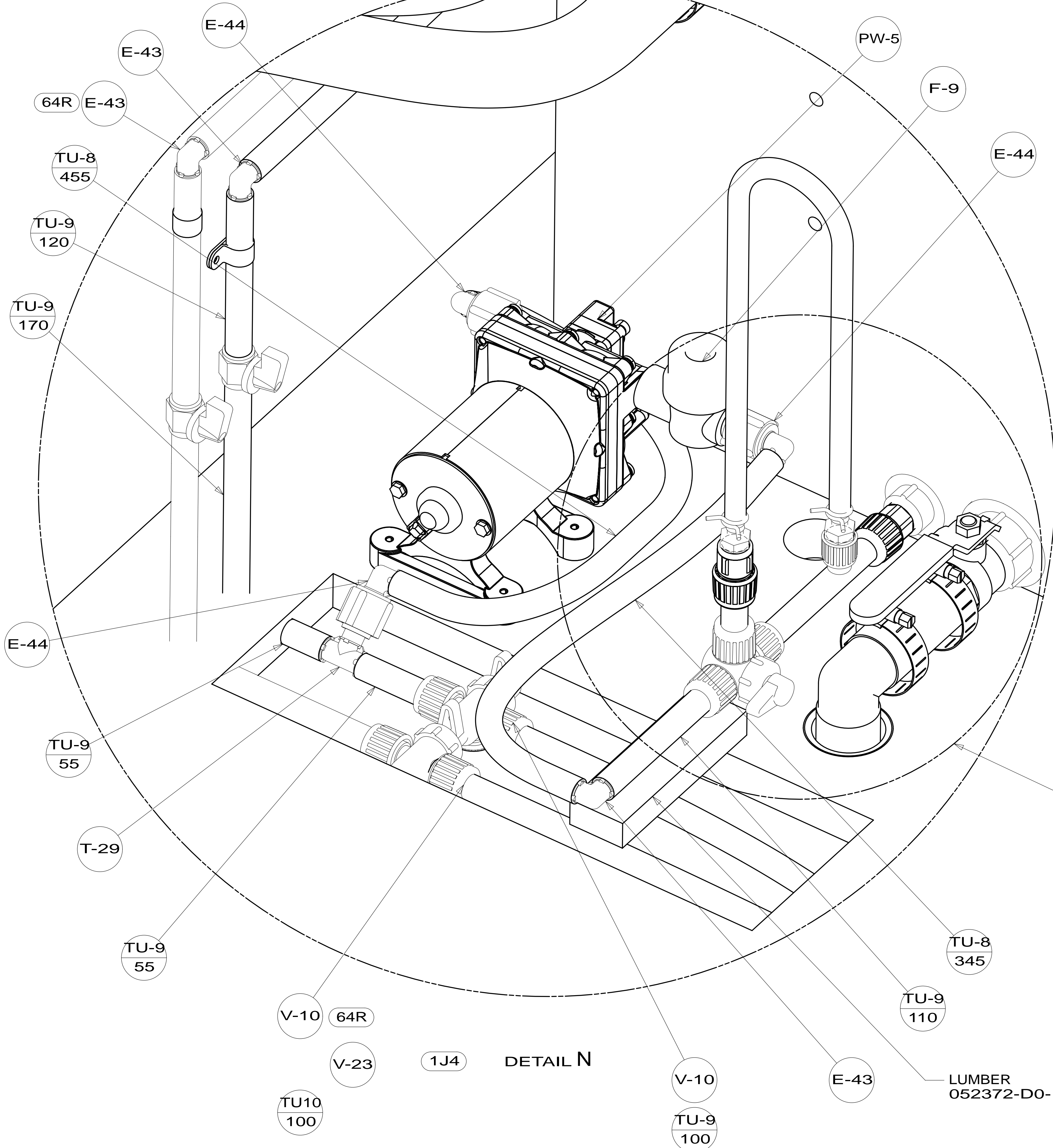
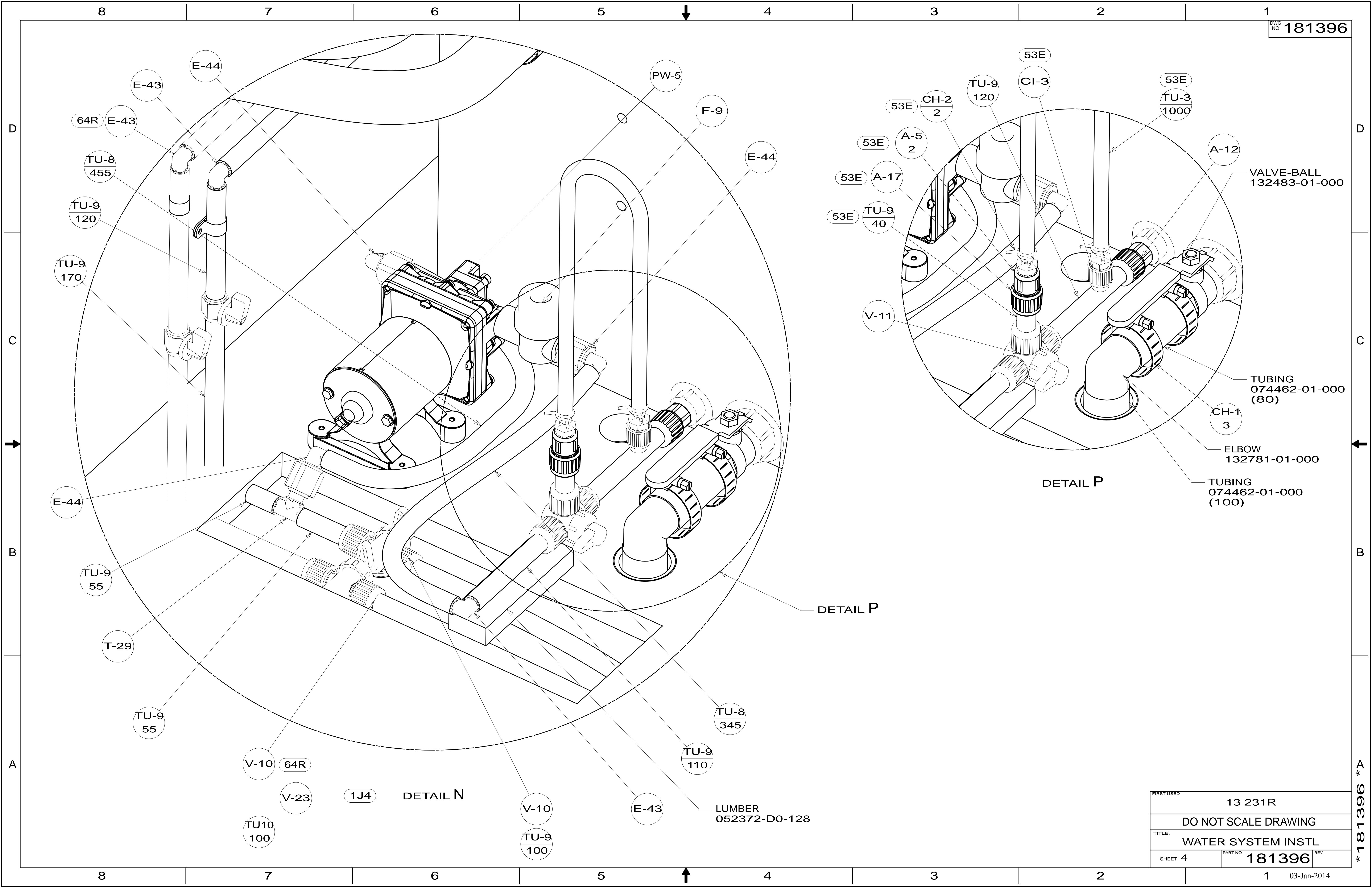
VIEW F



DETAIL K

FIRST USED	13 231R
DO NOT SCALE DRAWING	
TITLE: WATER SYSTEM INSTL	
SHEET 3	PART NO 181396 REV
03-Jan-2014	

* 181396



FIRST USED	13 231R	
TITLE:	DO NOT SCALE DRAWING	
SHEET 4	PART NO	181396
	REV	1
		03-Jan-2014

* 181396 * A