

- 10. USE SUPPLIED HANDLE FROM VALVE.
- 9. USE SMOOTH PLUMBERS PUTTY 167459-01-000 TO SEAL STRAINER (0.2 PER STRAINER).
- 8. USE LOCTITE 062917-06-000 ON ALL THREADS WHEN INSTALLING BRACKET
- 7. TRIM TO FIT.
- 6. VENT PIPE MUST PROJECT 51 MIN AND 64 MAX ABOVE ROOF FOR PROPER FIT AND FUNCTION.
- 5. SEAL AROUND SHOWER WITH SILICONE.
- 4. SECURE DRAINAGE PIPES TO CABINET USING WIRE TIE 108046-02-000, AND SCREW 000G67-10-12B AT INTERVALS OF NOT MORE THAN 4 FEET APART.
- 3. ALL PIPE AND FITTINGS TO BE ASSEMBLED WITH SOLVENT 004020-01-000 (USA), 004020-02-000 (CAN)
- 2. SLOPE OF TRAP ARM MUST BE 6 PER 305 mm.
- 1. SLOPE OF HORIZONTAL PIPING TO BE MINIMUM OF 3 PER 305 mm.

NOTES:

FOR DRAINAGE CALLOUTS SEE DWG NO 116229-01-000

		COPYRIGHT 2013 WINNEBAGO INDUSTRIES, INC.	
DFT-ORIG	ORIG. DATE		
CHKR	ALL DIMENSIONS ARE IN MILLIMETERS		
P.E.			
M.E.	FIRST USED		
DSNR	13 170X		
UNSPECIFIED TOLERANCES ARE:		MATERIAL:	
WHOLE DIM (X)	: 3		
ONE-PLACE (X.X)	: 1.5		
TWO-PLACE (X.XX)	: 0.50		
ANGLE	: 1°		
THIRD ANGLE PROJECTION			
DO NOT SCALE DRAWING		REFER TO ES0018 FOR FASTENER TIGHTENING GUIDELINES	
TITLE: DRAINAGE SYSTEM INSTL			
SHEET 1 OF 5	PART NO	180136	REV
REF:	1	09-Apr-2013	

* 180136 * A

SINK-GALLEY
165378-01-CHT
SEAL
091255-03-000(1280)
STRAINER
163659-01-000

ADAPTER-ANGLE
165406-02-000

TRAP
165406-01-000

PANEL-SUPPORT,SINK
166297-01-000

GASKET
167219-03-CHT
(UNDER WOOD FLOOR)

ADAPTER
165406-02-000

TRAP
165406-01-000

SINK-LAV
151679-01-CHT
SEAL
091255-03-000(940)
STRAINER
163569-01-000

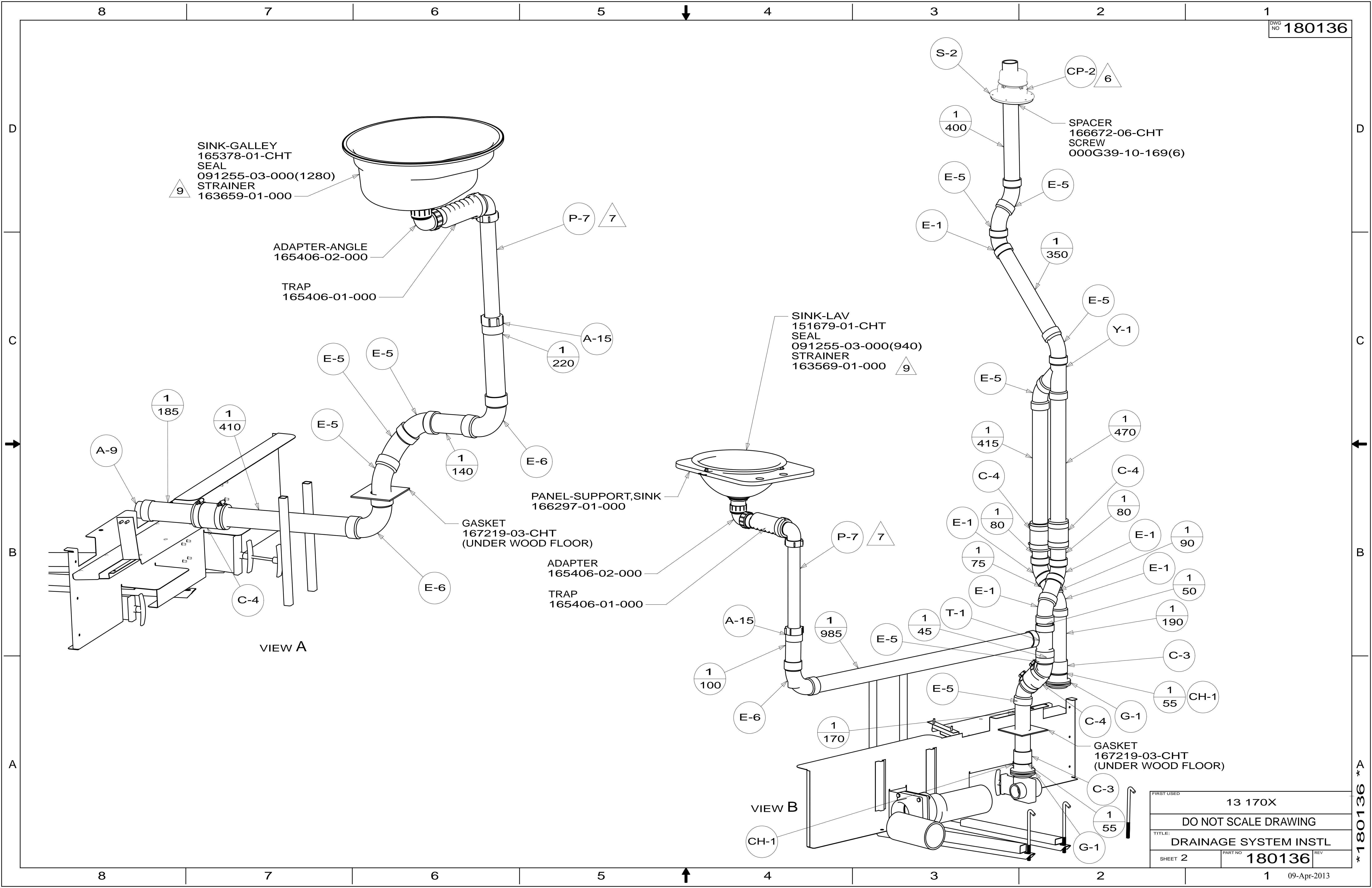
SPACER
166672-06-CHT
SCREW
000G39-10-169(6)

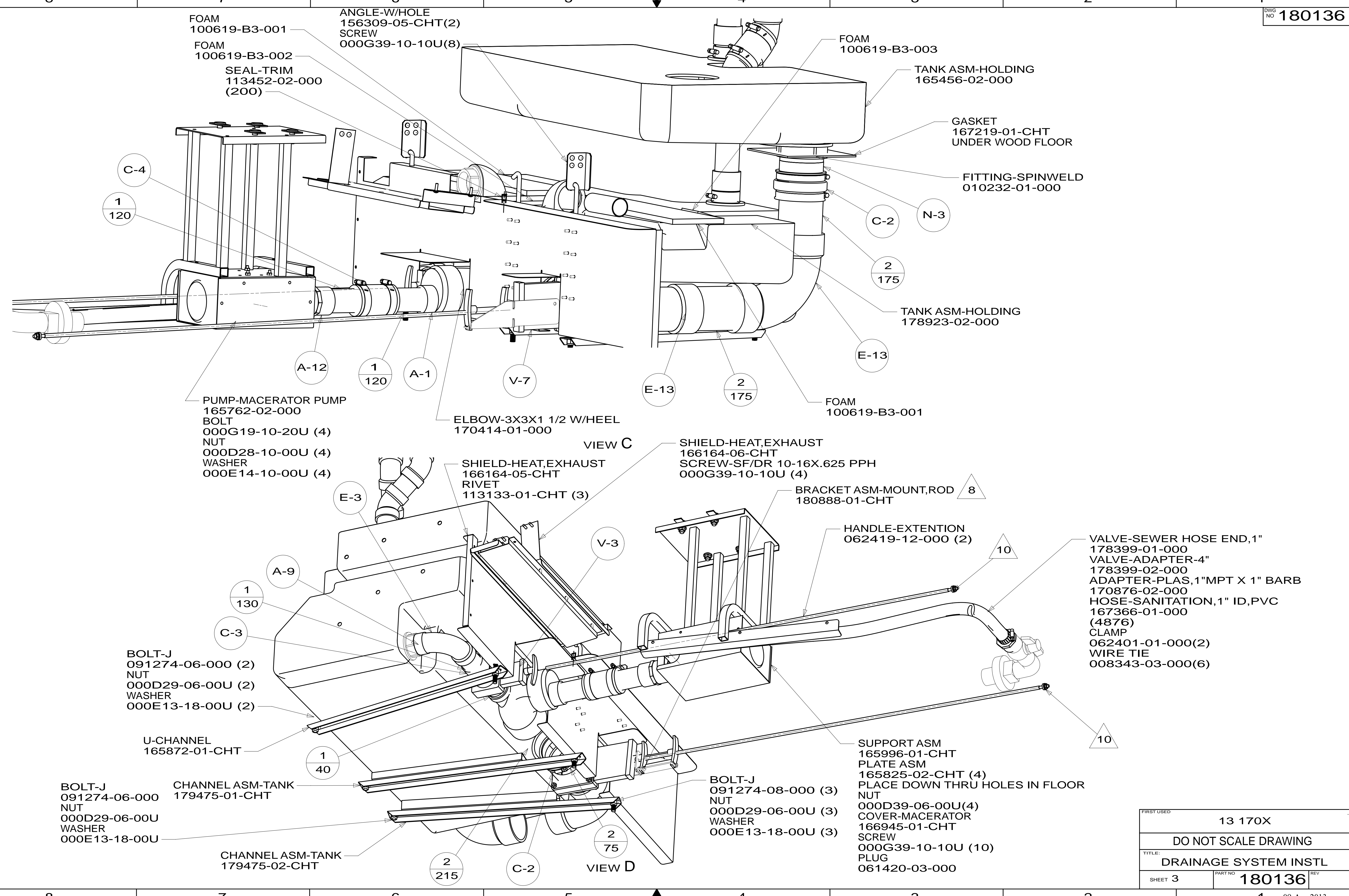
GASKET
167219-03-CHT
(UNDER WOOD FLOOR)

VIEW A

VIEW B

FIRST USED	13 170X	
TITLE:	DO NOT SCALE DRAWING	
TITLE:	DRAINAGE SYSTEM INSTL	
SHEET 2	PART NO	180136
	REV	
09-Apr-2013		





FOAM 100619-B3-001
FOAM 100619-B3-002
SEAL-TRIM 113452-02-000 (200)

ANGLE-W/HOLE 156309-05-CHT(2)
SCREW 000G39-10-10U(8)

FOAM 100619-B3-003

TANK ASM-HOLDING 165456-02-000

GASKET 167219-01-CHT UNDER WOOD FLOOR

FITTING-SPINWELD 010232-01-000

C-4
1
120

C-2

N-3

2
175

TANK ASM-HOLDING 178923-02-000

E-13

A-12

1
120

A-1

V-7

E-13

2
175

FOAM 100619-B3-001

PUMP-MACERATOR PUMP 165762-02-000
BOLT 000G19-10-20U (4)
NUT 000D28-10-00U (4)
WASHER 000E14-10-00U (4)

ELBOW-3X3X1 1/2 W/HEEL 170414-01-000

VIEW C

SHIELD-HEAT,EXHAUST 166164-06-CHT
SCREW-SF/DR 10-16X.625 PPH 000G39-10-10U (4)

SHIELD-HEAT,EXHAUST 166164-05-CHT
RIVET 113133-01-CHT (3)

BRACKET ASM-MOUNT,ROD 180888-01-CHT

HANDLE-EXTENTION 062419-12-000 (2)

VALVE-SEWER HOSE END,1" 178399-01-000
VALVE-ADAPTER-4" 178399-02-000
ADAPTER-PLAS,1"MPT X 1" BARB 170876-02-000
HOSE-SANITATION,1" ID,PVC 167366-01-000 (4876)
CLAMP 062401-01-000(2)
WIRE TIE 008343-03-000(6)

E-3

V-3

A-9

1
130

C-3

BOLT-J 091274-06-000 (2)
NUT 000D29-06-00U (2)
WASHER 000E13-18-00U (2)

U-CHANNEL 165872-01-CHT

1
40

BOLT-J 091274-06-000
NUT 000D29-06-00U
WASHER 000E13-18-00U

CHANNEL ASM-TANK 179475-01-CHT

CHANNEL ASM-TANK 179475-02-CHT

2
215

C-2

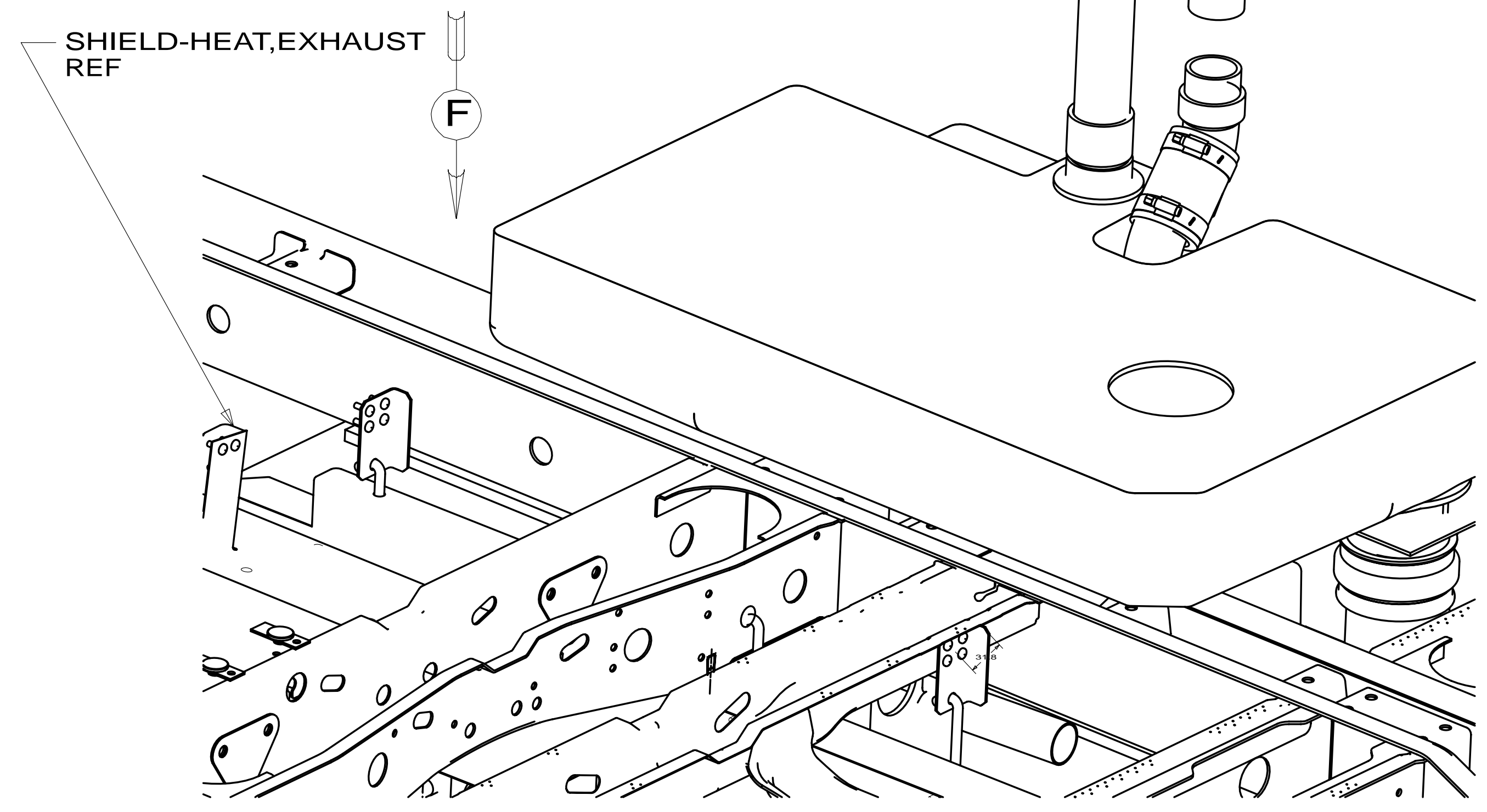
VIEW D

BOLT-J 091274-08-000 (3)
NUT 000D29-06-00U (3)
WASHER 000E13-18-00U (3)

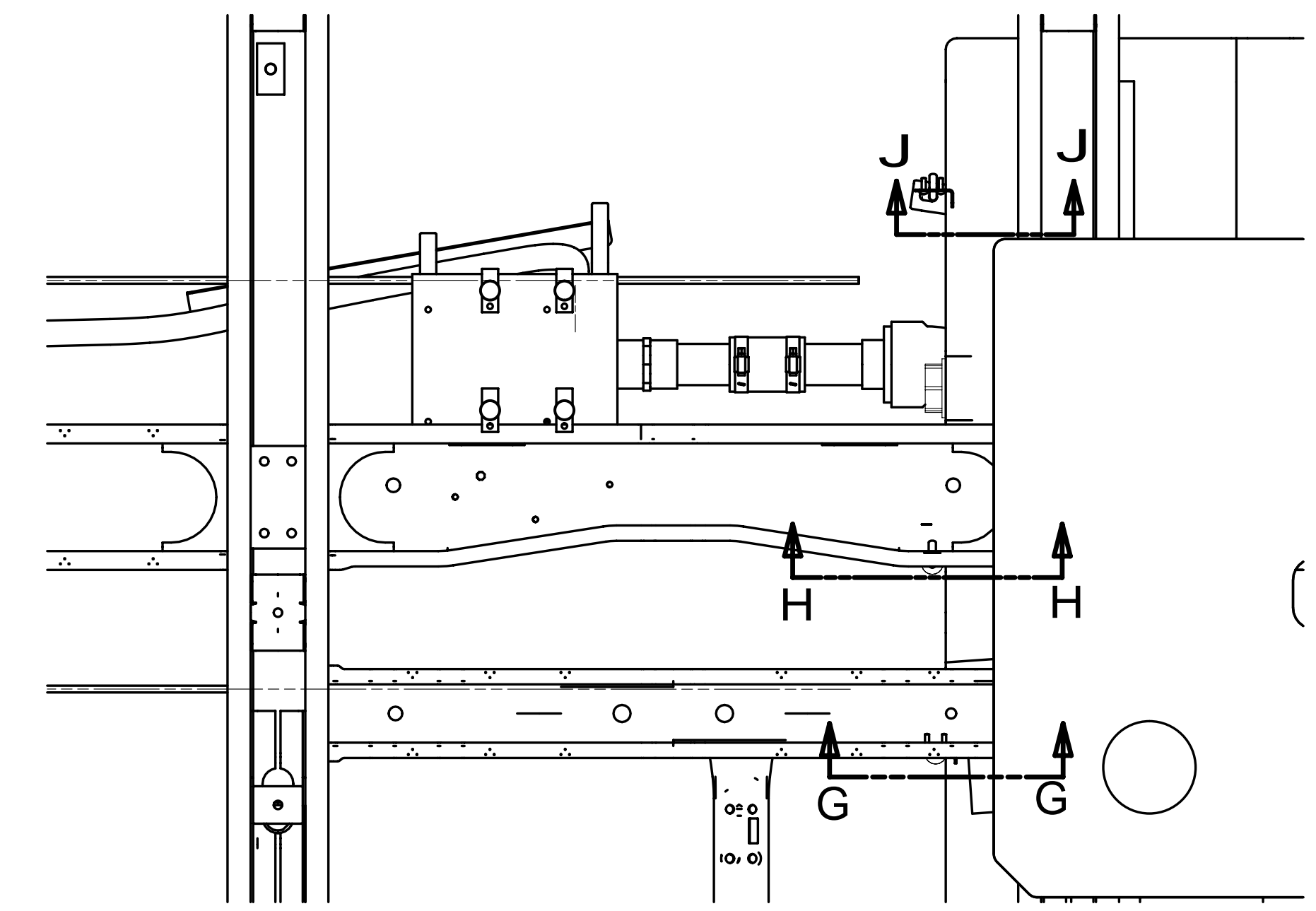
SUPPORT ASM 165996-01-CHT
PLATE ASM 165825-02-CHT (4)
PLACE DOWN THRU HOLES IN FLOOR
NUT 000D39-06-00U(4)
COVER-MACERATOR 166945-01-CHT
SCREW 000G39-10-10U (10)
PLUG 061420-03-000

FIRST USED	13 170X
DO NOT SCALE DRAWING	
TITLE: DRAINAGE SYSTEM INSTL	
SHEET 3	PART NO 180136
REV 09-Apr-2013	

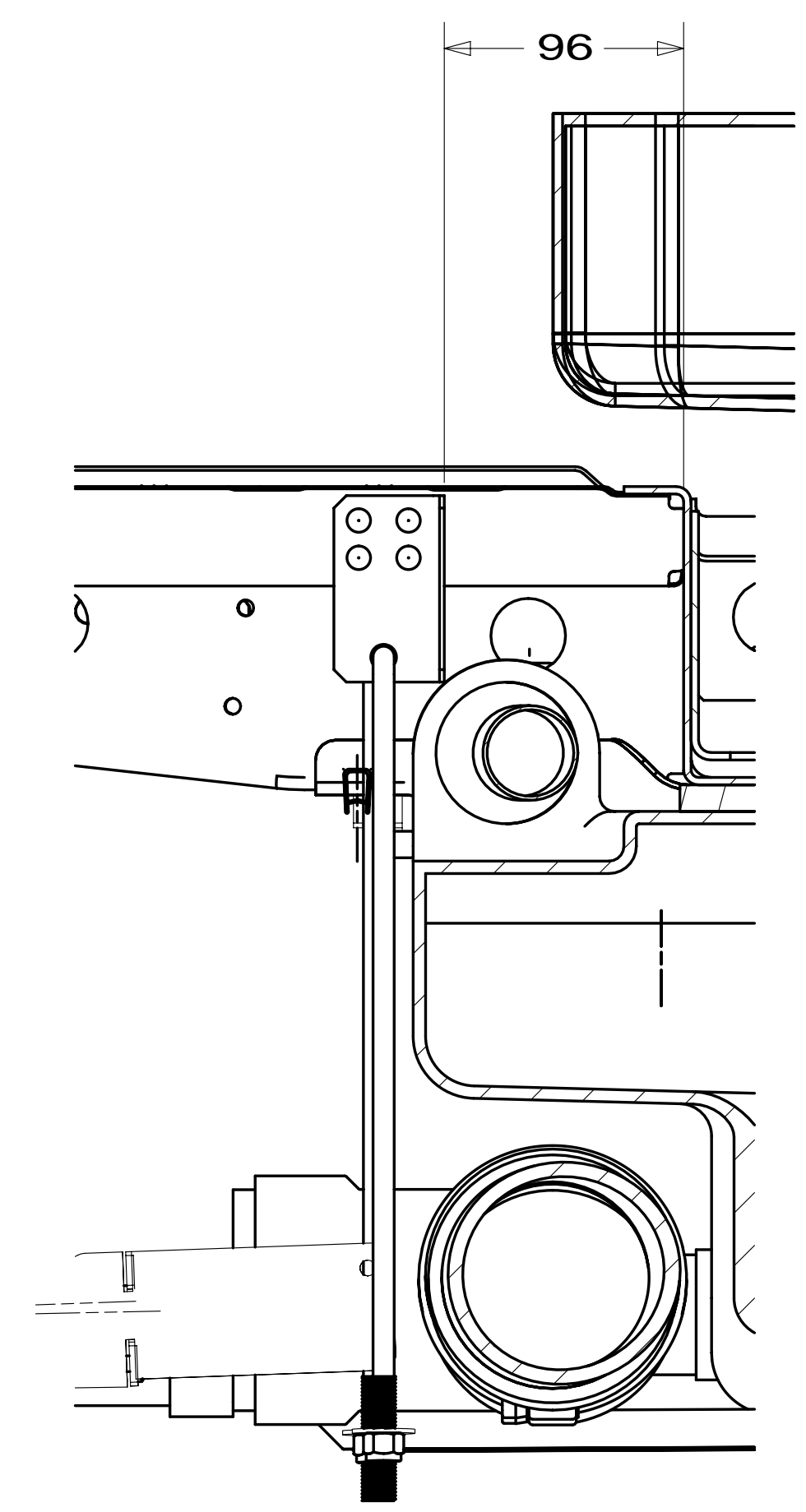
A * 180136



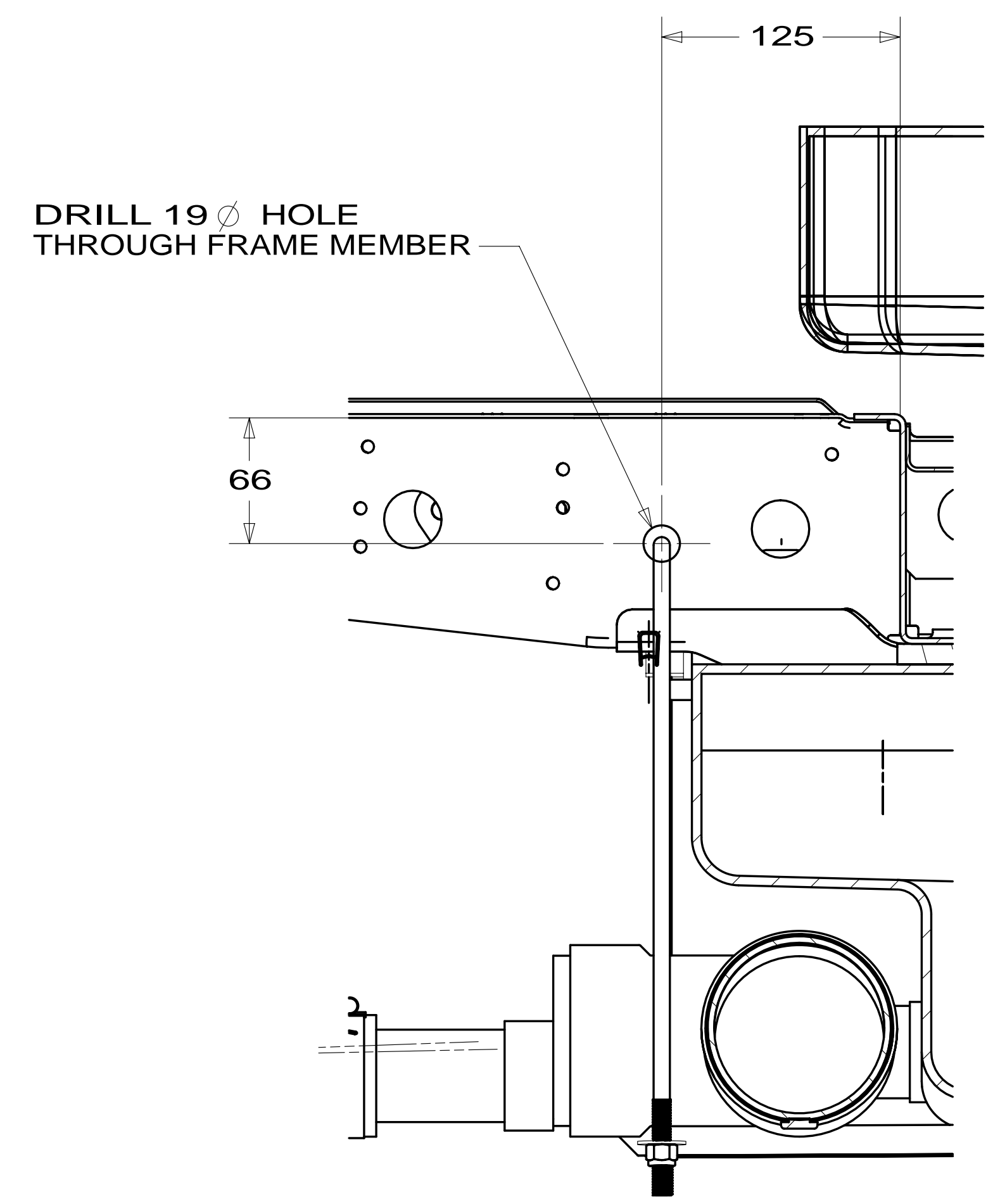
VIEW E



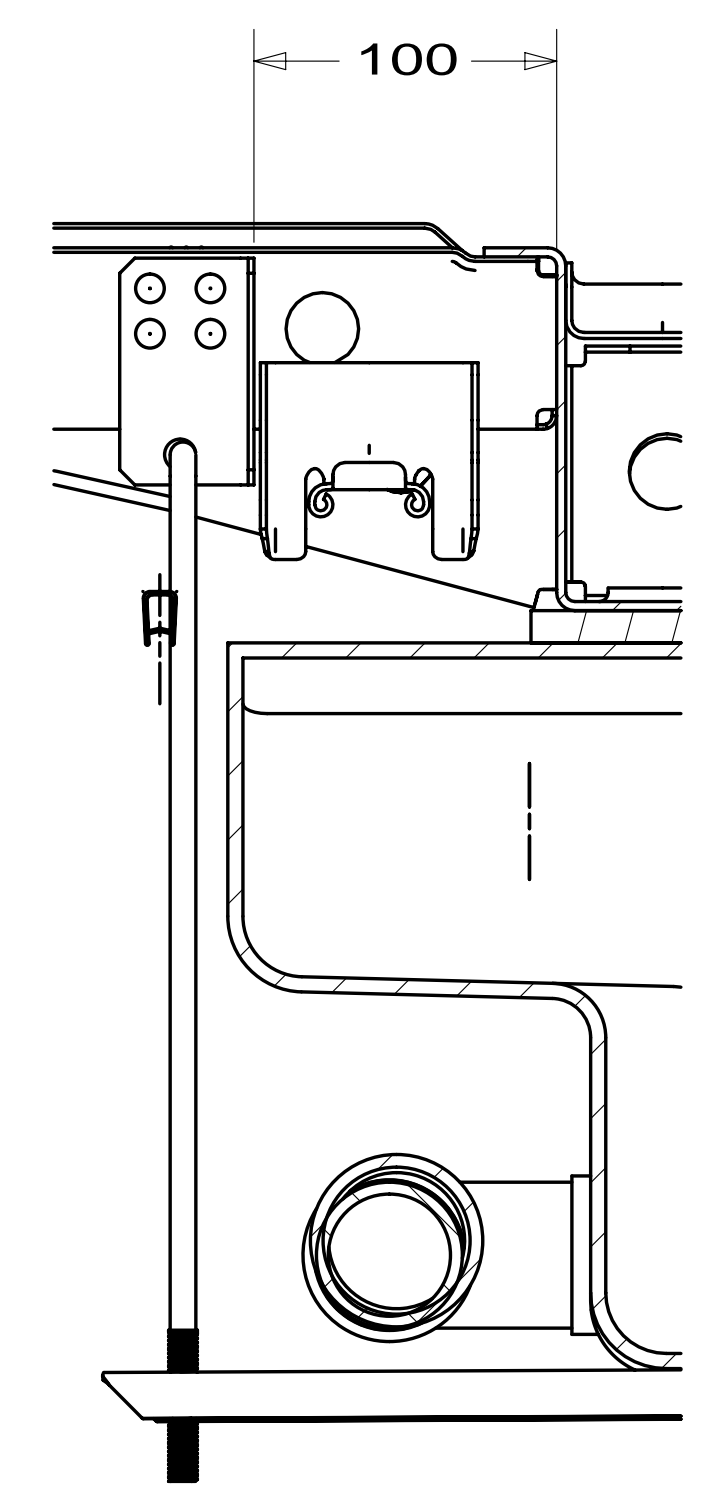
VIEW F



SECTION G-G



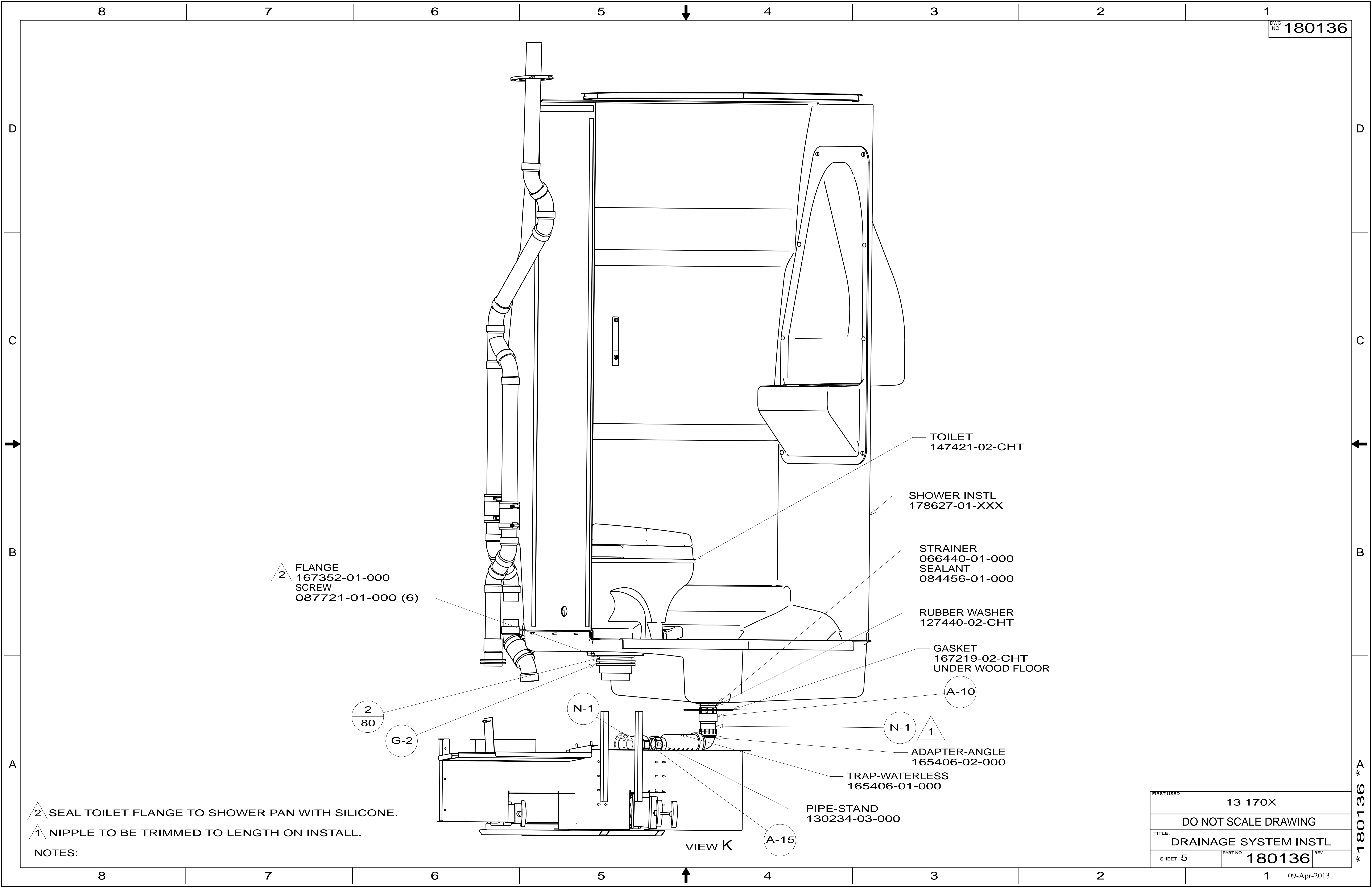
SECTION H-H



SECTION J-J

FIRST USED	13 170X	
TITLE:	DO NOT SCALE DRAWING	
SHEET 4	PART NO 180136	REV
		1 09-Apr-2013

* 180136 * A



2 FLANGE
167352-01-000
SCREW
087721-01-000 (6)

TOILET
147421-02-CHT

SHOWER INSTL
178627-01-XXX

STRAINER
066440-01-000
SEALANT
084456-01-000

RUBBER WASHER
127440-02-CHT

GASKET
167219-02-CHT
UNDER WOOD FLOOR

A-10

ADAPTER-ANGLE
165406-02-000

TRAP-WATERLESS
165406-01-000

PIPE-STAND
130234-03-000

A-15

2
80

G-2

N-1

N-1

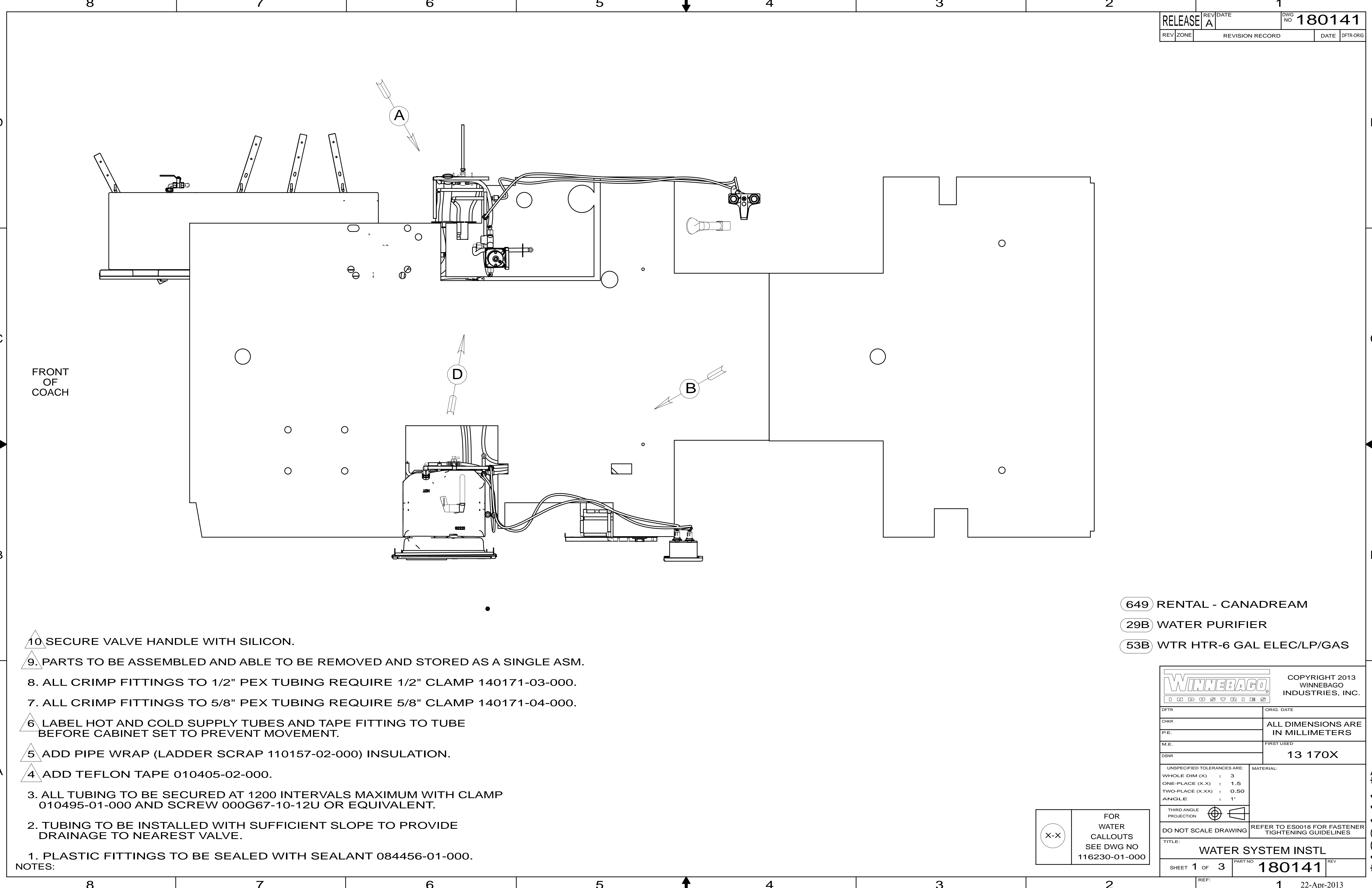
1

VIEW K

2 SEAL TOILET FLANGE TO SHOWER PAN WITH SILICONE.
1 NIPPLE TO BE TRIMMED TO LENGTH ON INSTALL.
NOTES:

FIRST USED	13 170X		
DO NOT SCALE DRAWING			
TITLE: DRAINAGE SYSTEM INSTL			
SHEET 5	PART NO	180136	REV
		1	09-Apr-2013

* 180136 * A



- 10. SECURE VALVE HANDLE WITH SILICON.
 - 9. PARTS TO BE ASSEMBLED AND ABLE TO BE REMOVED AND STORED AS A SINGLE ASM.
 - 8. ALL CRIMP FITTINGS TO 1/2" PEX TUBING REQUIRE 1/2" CLAMP 140171-03-000.
 - 7. ALL CRIMP FITTINGS TO 5/8" PEX TUBING REQUIRE 5/8" CLAMP 140171-04-000.
 - 6. LABEL HOT AND COLD SUPPLY TUBES AND TAPE FITTING TO TUBE BEFORE CABINET SET TO PREVENT MOVEMENT.
 - 5. ADD PIPE WRAP (LADDER SCRAP 110157-02-000) INSULATION.
 - 4. ADD TEFLON TAPE 010405-02-000.
 - 3. ALL TUBING TO BE SECURED AT 1200 INTERVALS MAXIMUM WITH CLAMP 010495-01-000 AND SCREW 000G67-10-12U OR EQUIVALENT.
 - 2. TUBING TO BE INSTALLED WITH SUFFICIENT SLOPE TO PROVIDE DRAINAGE TO NEAREST VALVE.
 - 1. PLASTIC FITTINGS TO BE SEALED WITH SEALANT 084456-01-000.
- NOTES:

- 649 RENTAL - CANADREAM
- 29B WATER PURIFIER
- 53B WTR HTR-6 GAL ELEC/LP/GAS

		COPYRIGHT 2013 WINNEBAGO INDUSTRIES, INC.
DFT-ORIG	ORIG. DATE	
CHKR	ALL DIMENSIONS ARE IN MILLIMETERS	
P.E.		
M.E.	FIRST USED	
DSNR	13 170X	
UNSPECIFIED TOLERANCES ARE:		MATERIAL:
WHOLE DIM (X)	: 3	
ONE-PLACE (X.X)	: 1.5	
TWO-PLACE (X.XX)	: 0.50	
ANGLE	: 1°	
THIRD ANGLE PROJECTION		
DO NOT SCALE DRAWING		REFER TO ES0018 FOR FASTENER TIGHTENING GUIDELINES
TITLE: WATER SYSTEM INSTL		
SHEET 1 OF 3	PART NO 180141	REV
REF:	1	22-Apr-2013

FOR WATER CALLOUTS SEE DWG NO 116230-01-000

* 180141 * A

SHOWER HEAD-W/HOSE & BRACKET
176668-01-CHT

SHOWER-EXTERIOR
166291-01-CHT
HOSE ASM-W/SPRAYER
166291-02-000

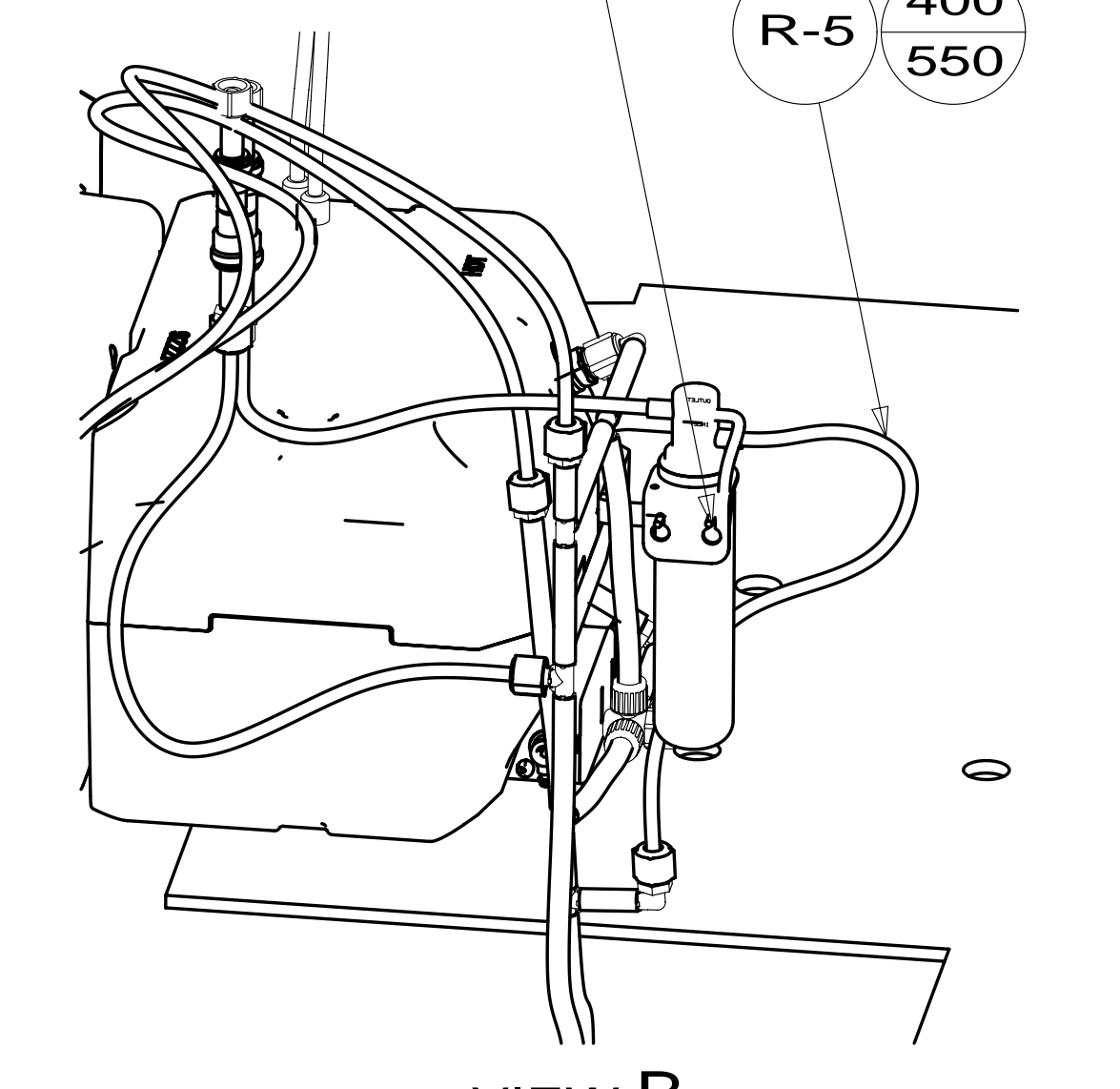
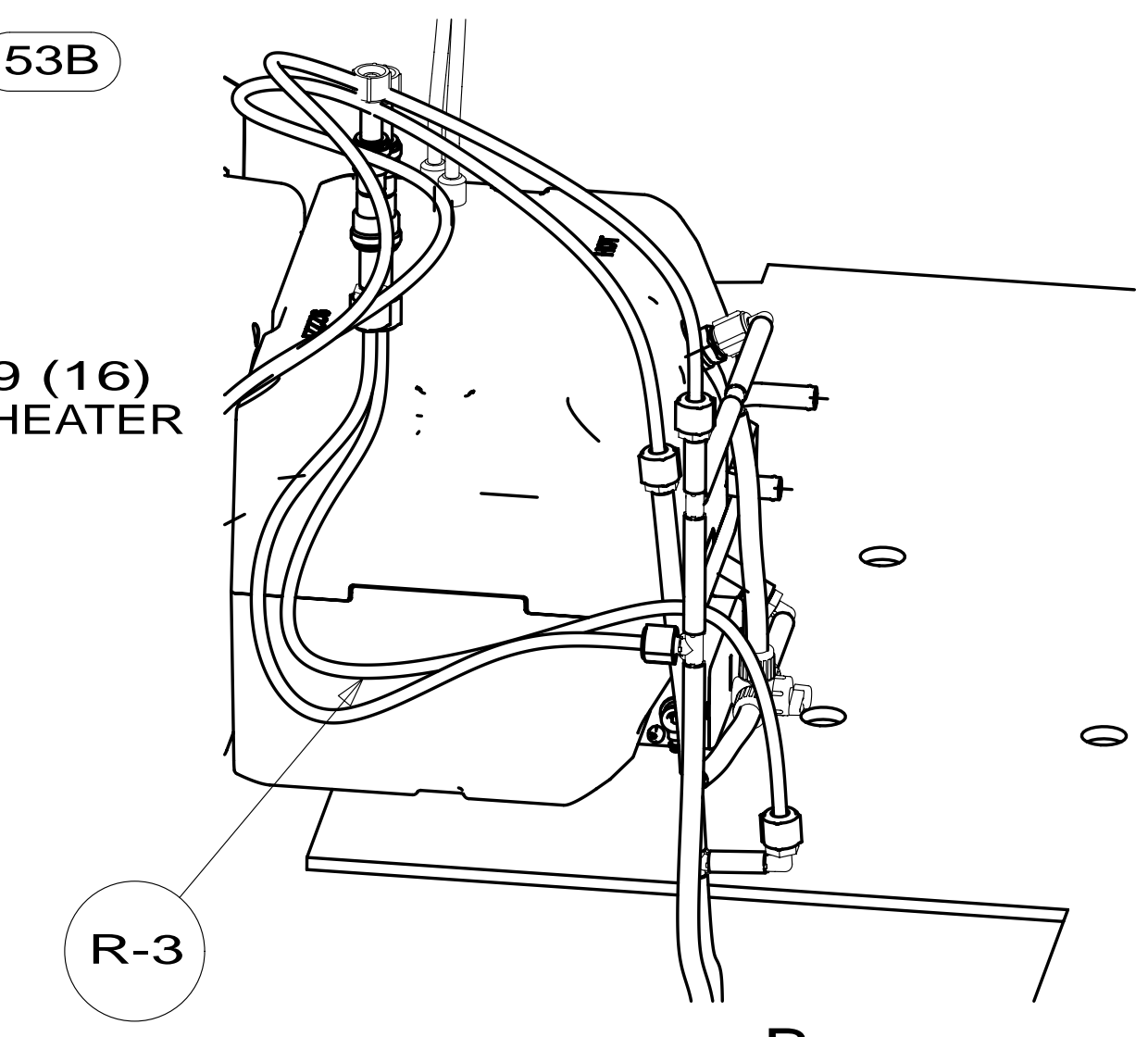
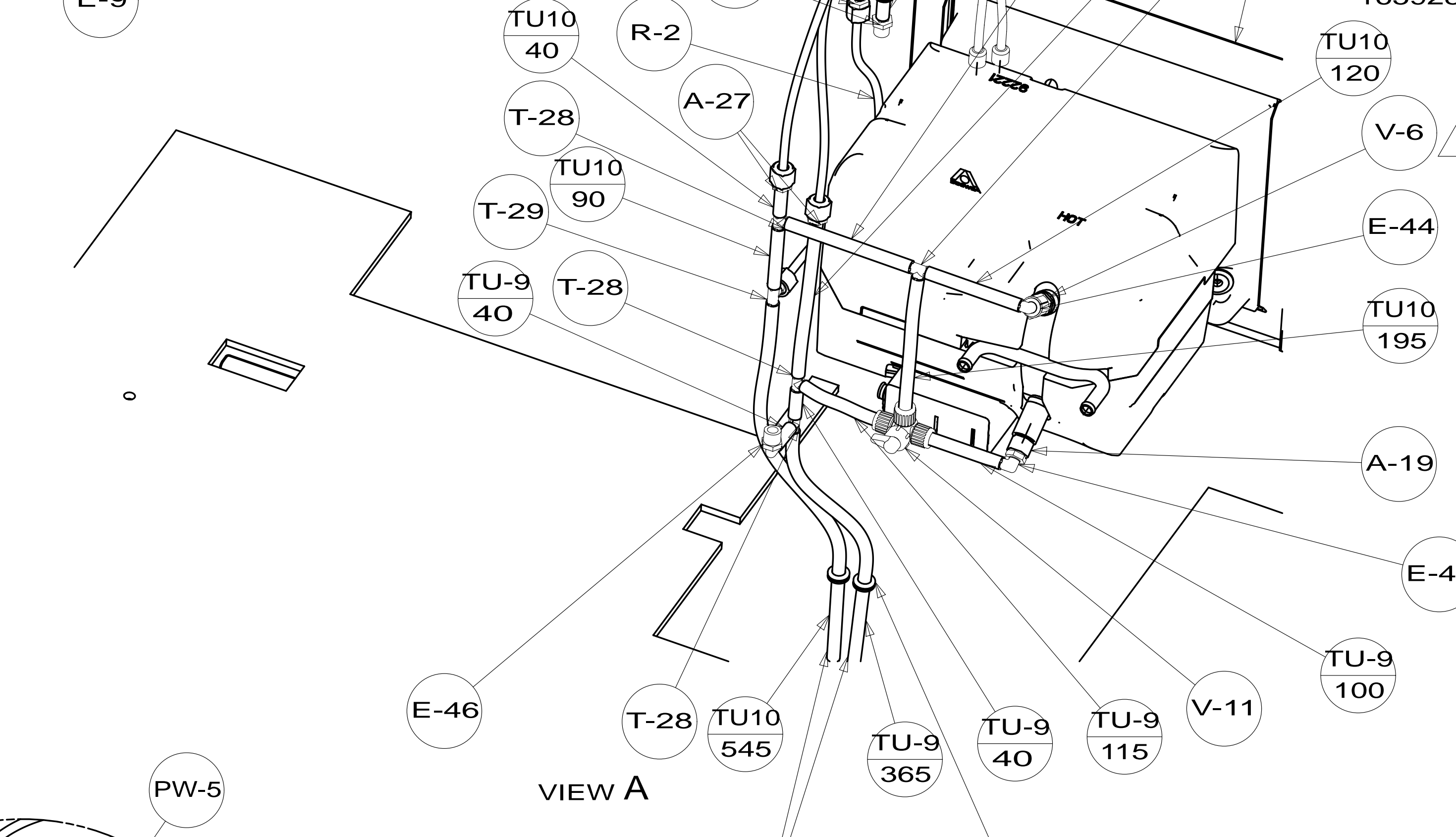
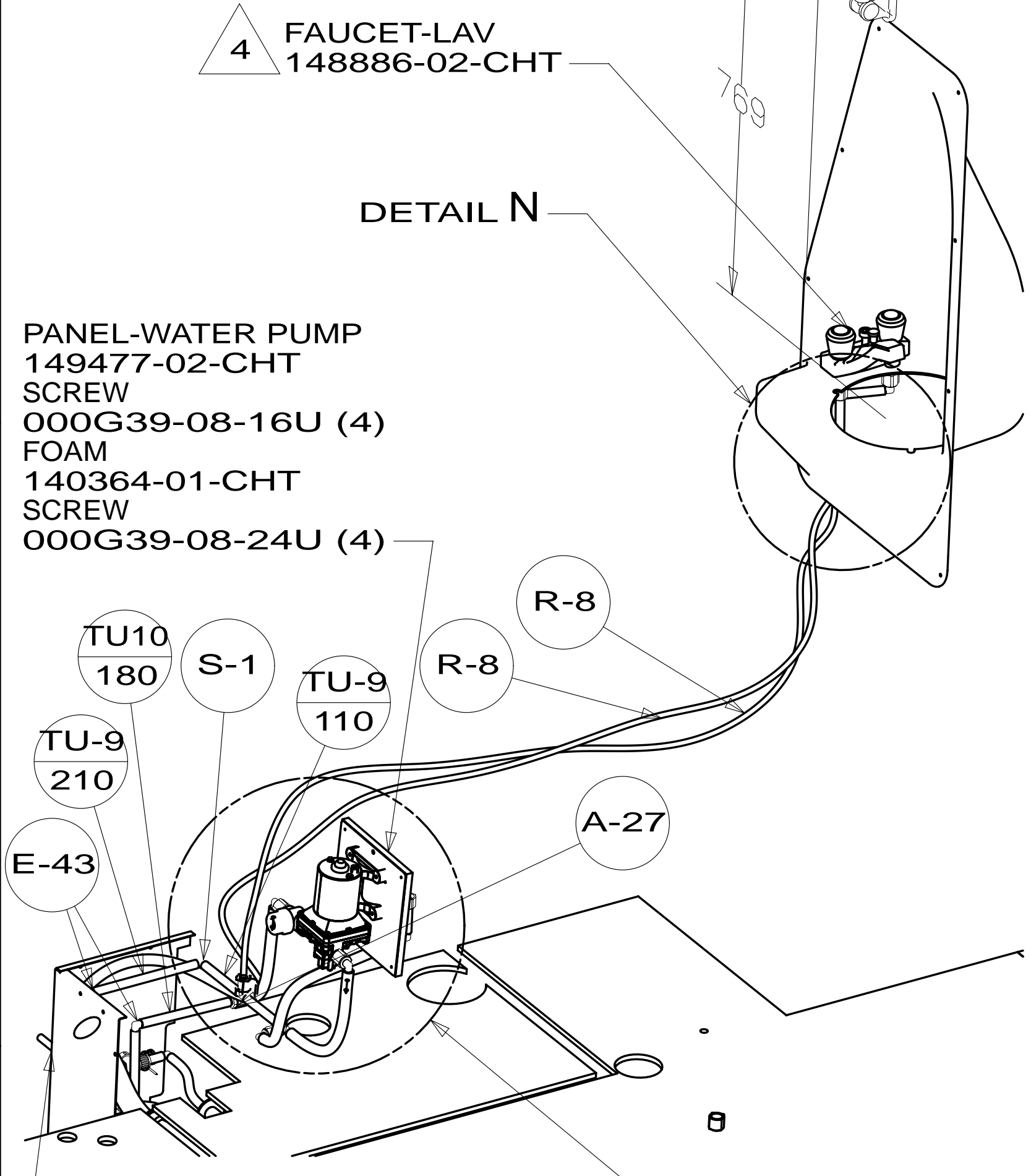
FAUCET
165378-02-CHT

WATER HEATER 53B
145541-02-000
DOOR
125420-06-CHT
CABLE
076767-03-000
SCREW
000G39-10-169 (16)
FLANGE-WATER HEATER
166386-01-CHT
ADAPTER-BRASS
136333-01-000
CLOSEOUT ASM
165928-01-CHT

FILTER KIT KIT
160946-03-000
SCREW
000G67-10-12U (2)

PANEL-WATER PUMP
149477-02-CHT
SCREW
000G39-08-16U (4)
FOAM
140364-01-CHT
SCREW
000G39-08-24U (4)

PANEL
166584-03-CHT
SCREW
000G67-10-10U(6)
PANEL
166584-02-CHT
SCREW
000G67-10-10U(4)



DETAIL N

DETAIL G

VIEW A

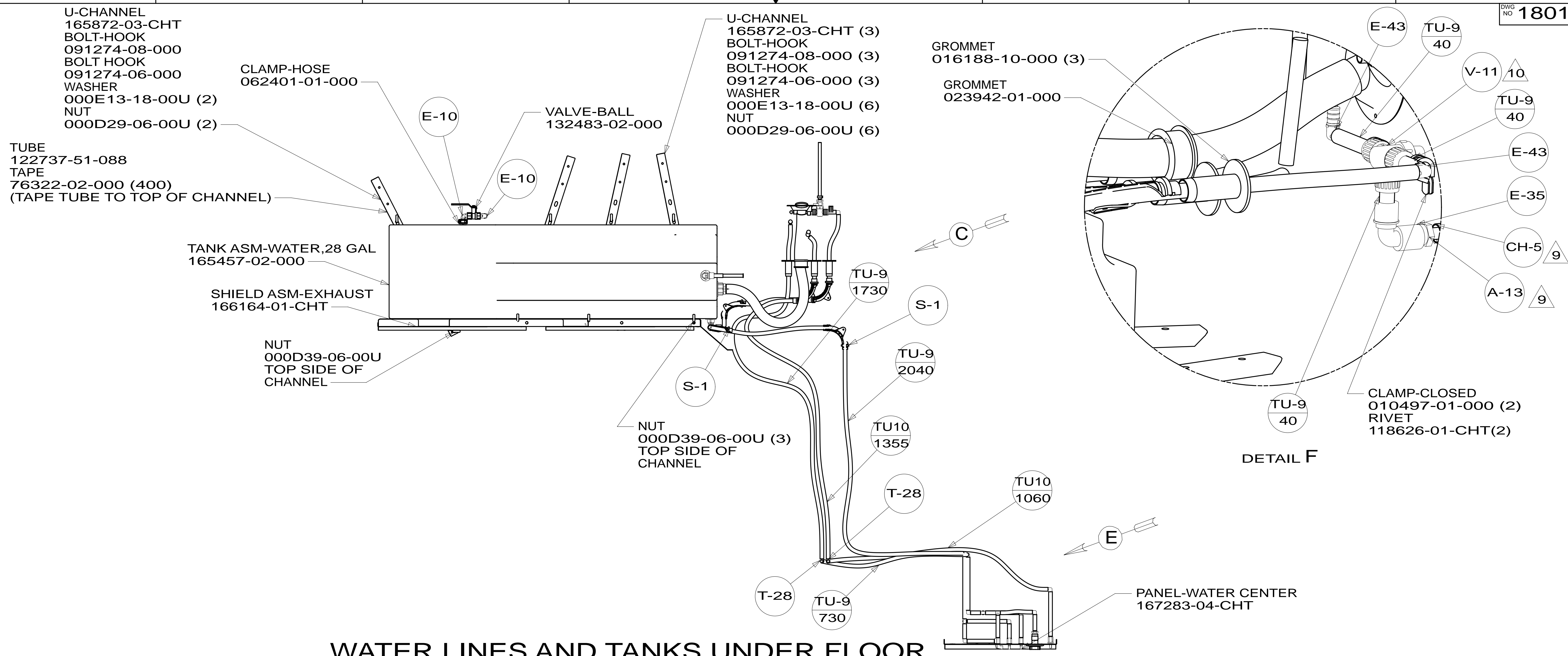
VIEW D

DETAIL G
(SHOWN W/OUT PANEL-WATER PUMP)

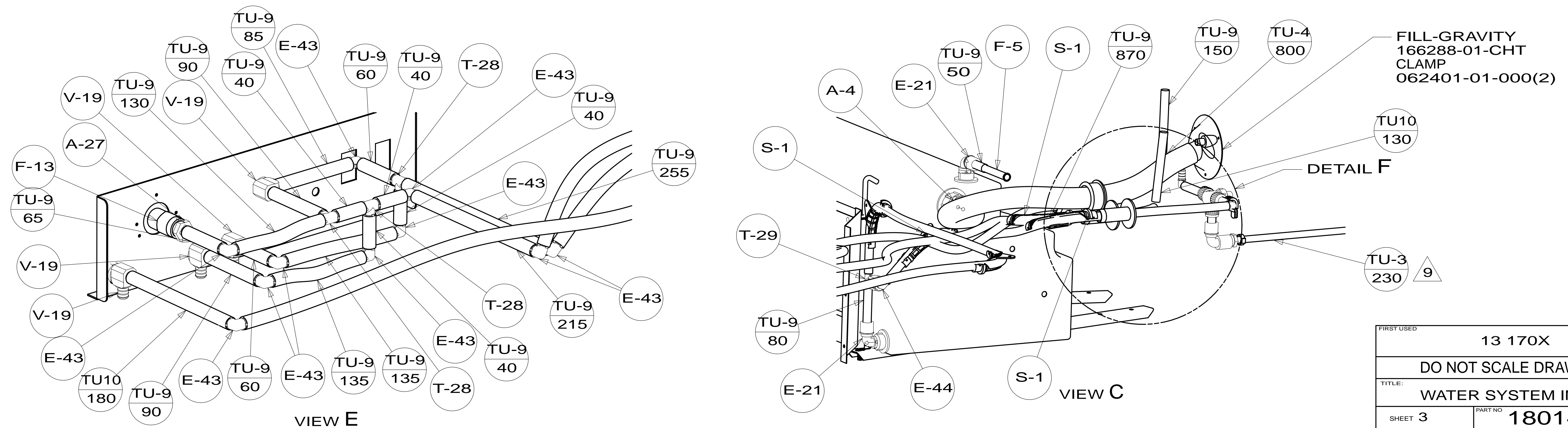
DETAIL N
(SHOWN W/OUT SHOWER)

FIRST USED	13 170X	
TITLE:	DO NOT SCALE DRAWING	
TITLE:	WATER SYSTEM INSTL	
SHEET 2	PART NO	180141
	REV	
		22-Apr-2013

* 180141 * A



WATER LINES AND TANKS UNDER FLOOR



FIRST USED	13 170X	
TITLE:	DO NOT SCALE DRAWING	
SHEET 3	PART NO	180141
	REV	1
22-Apr-2013		

* 180141 * A