



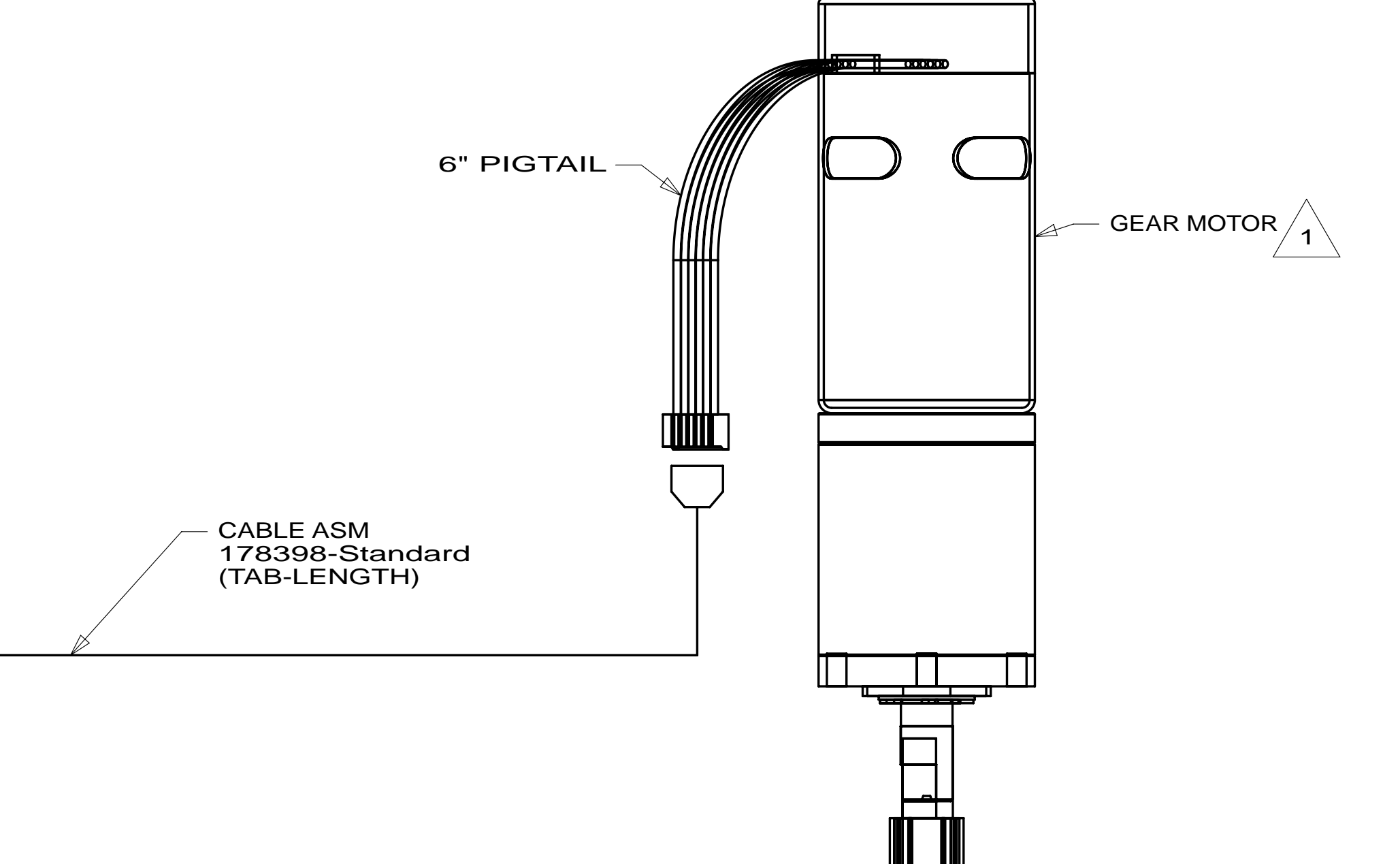
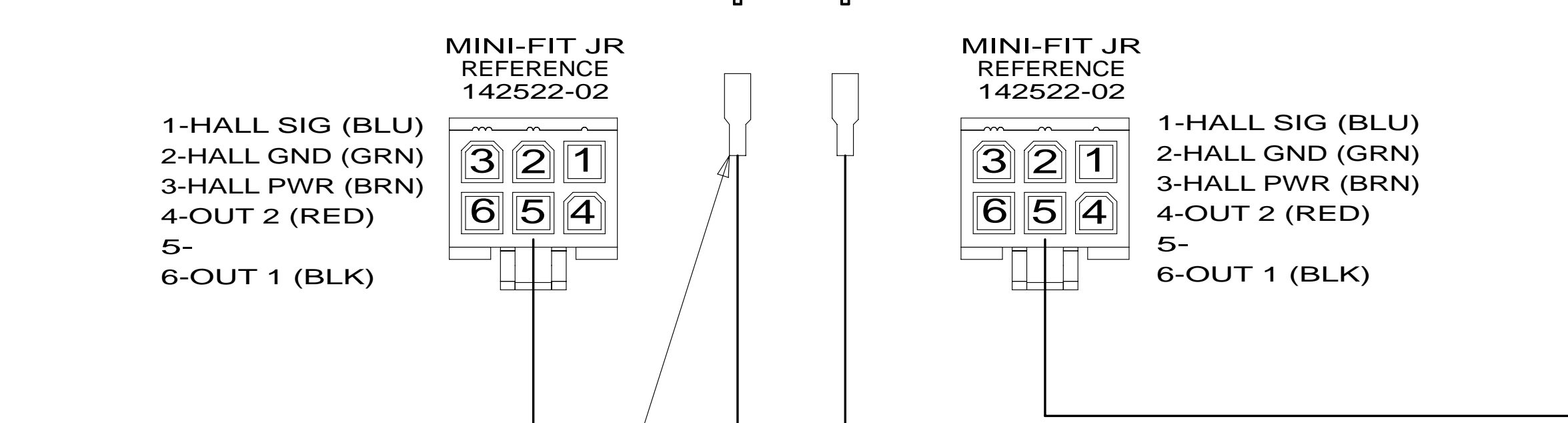
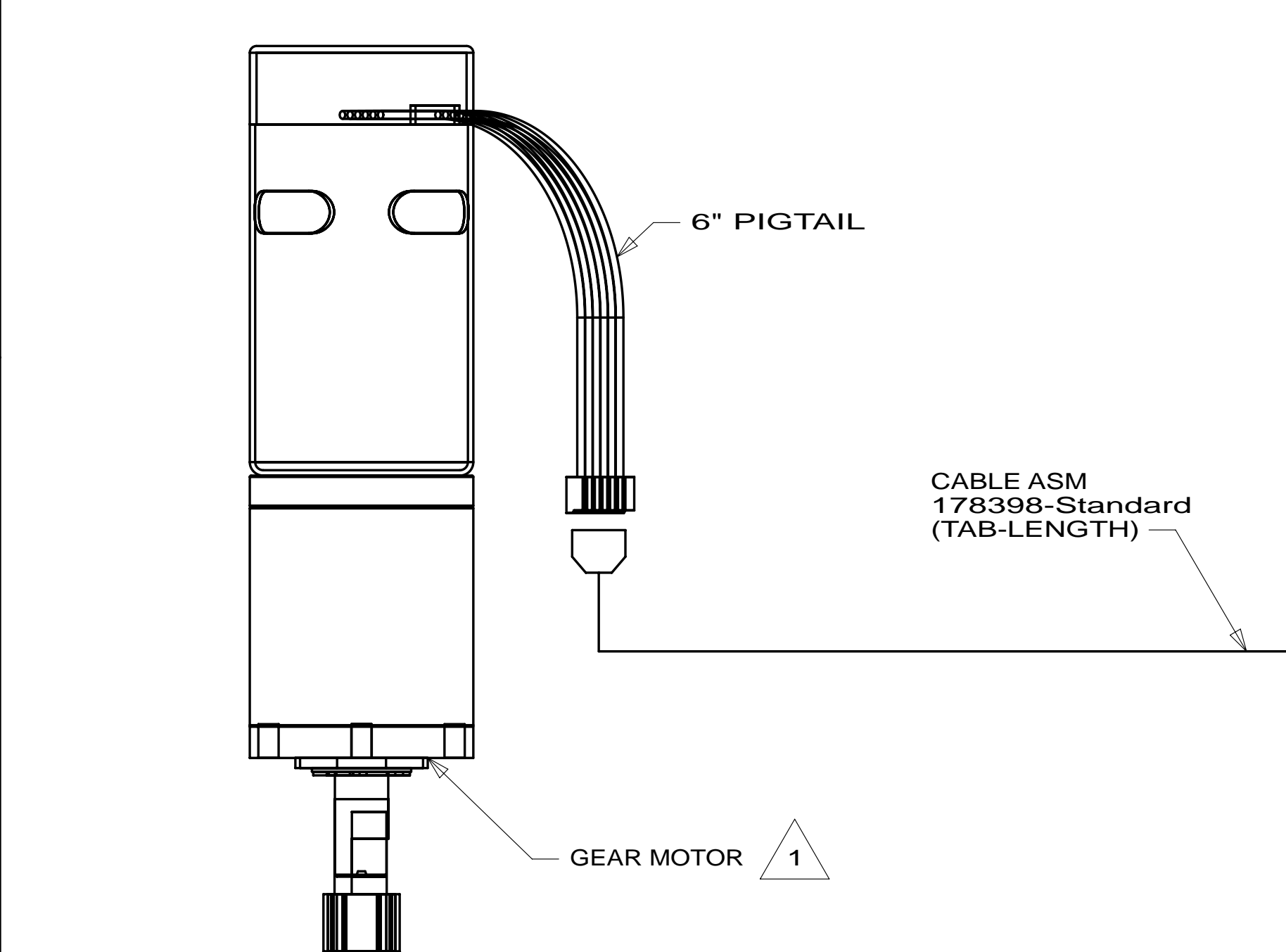
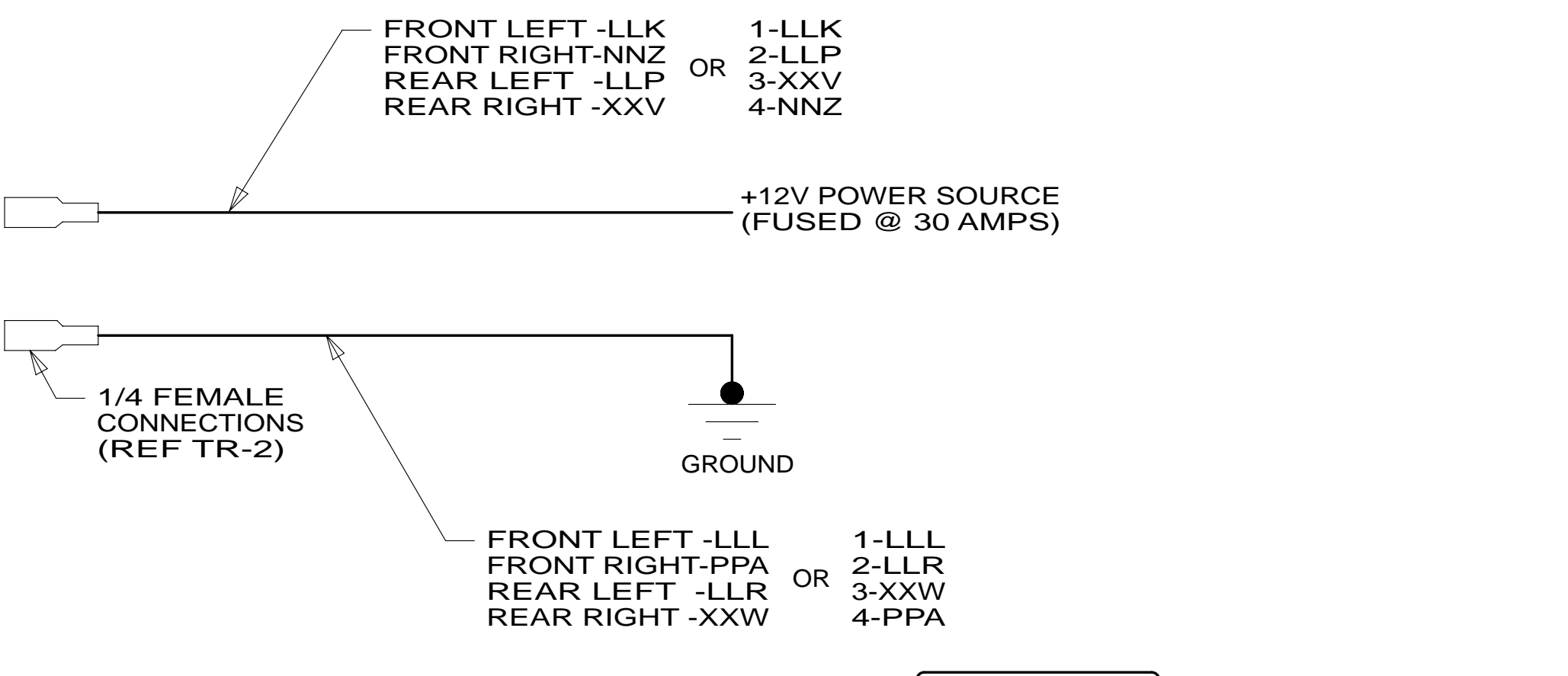
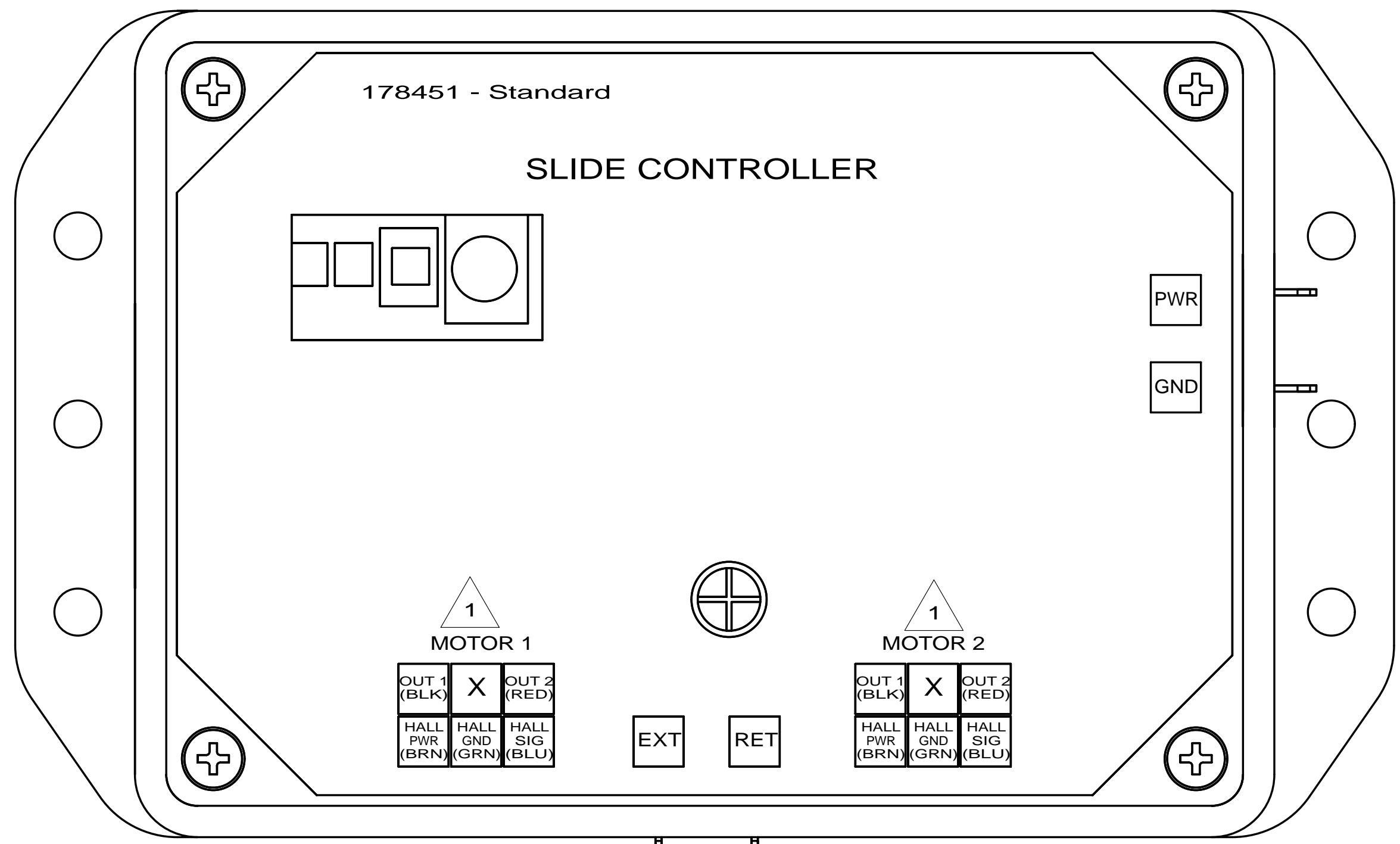
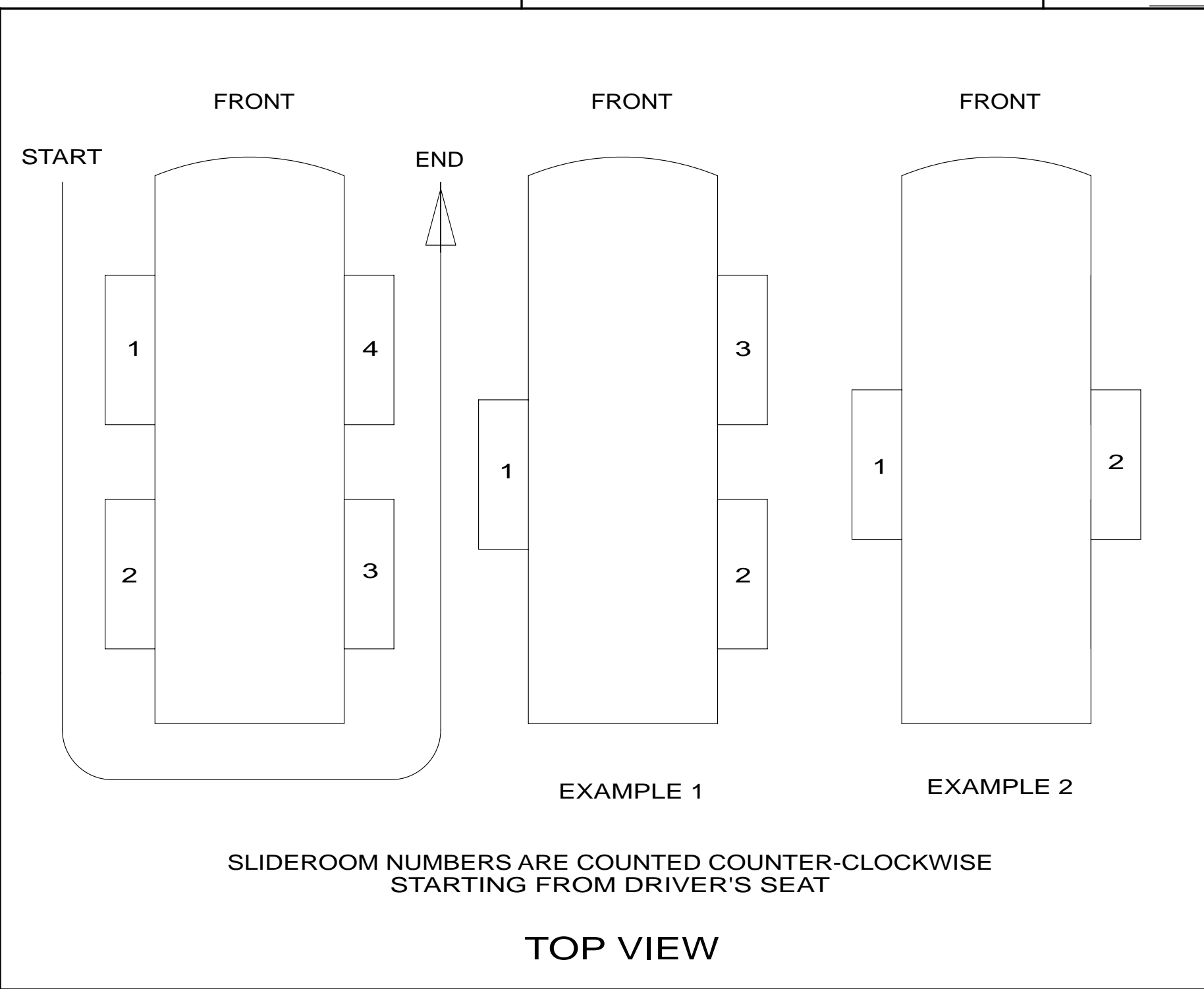
DANGER

Danger of electrical shock, burns or death. Always remove all power sources before attempting any repair, service or diagnostic work. Power can be present from shore power, generator, inverter or battery. All power sources must be disabled and secured before performing any service.



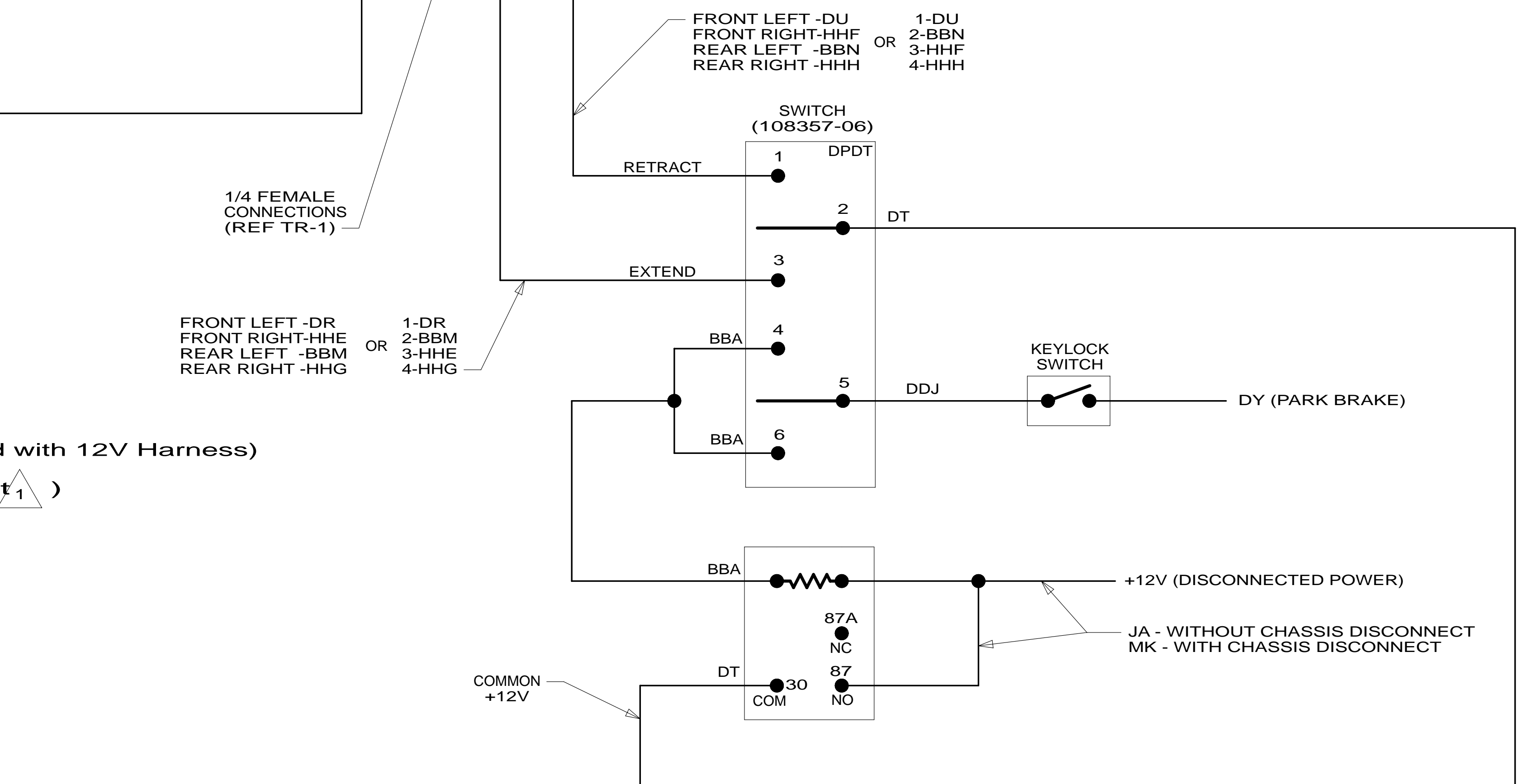
CAUTION

If you lack the skills, tools or equipment to perform diagnostic or repair work leave such work to an authorized Winnebago Industries dealer or other qualified shop.



Shwintek Slideout Motor Harness Tape Color (Incorporated with 12V Harness)

Slideout Position	Motor 2 (right)	Motor 1 (left)
Front Left	Yellow	Green
Rear Left	Blue	Purple
Front Right	Red	Orange
Rear Right	Brown	Lt Yellow



1 WHEN LOOKING AT THE SLIDEOUT ROOM FROM INSIDE THE COACH MOTOR 1 IS THE LEFT MOTOR AND MOTOR 2 IS THE RIGHT MOTOR.

NOTES:

		COPYRIGHT 2013 WINNEBAGO INDUSTRIES, INC.
DTR	ORIG. DATE	
CHKR		ALL DIMENSIONS ARE IN MILLIMETERS
P.E.		
M.E.	FIRST USED	
DSNR		
UNSPECIFIED TOLERANCES ARE:		MATERIAL:
WHOLE DIM (X)	: 3	
ONE-PLACE (X.X)	: 1.5	
TWO-PLACE (X.XX)	: 0.50	
ANGLE	: 1°	
THIRD ANGLE PROJECTION		
DO NOT SCALE DRAWING		REFER TO ES0018 FOR FASTENER TIGHTENING GUIDELINES
TITLE: SYSTEM DIAGRAM-SLIDEROOMS		
SHEET 1 OF 1	PART NO 183594	REV
REF:	1	05-Sep-2013