



DANGER

Danger of electrical shock, burns or death. Always remove all power sources before attempting any repair, service or diagnostic work. Power can be present from shore power, generator, inverter or battery. All power sources must be disabled and secured before performing any service.

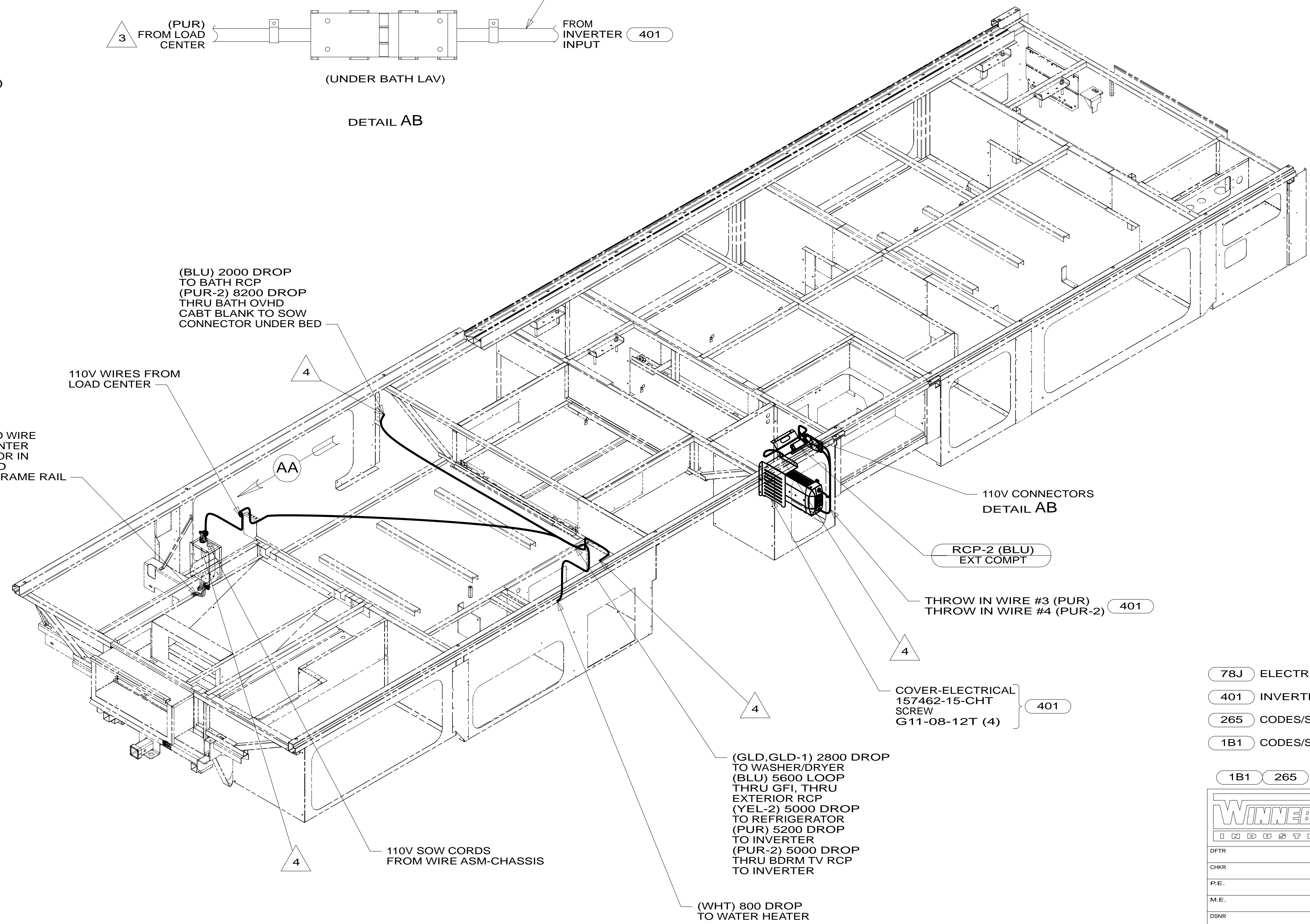
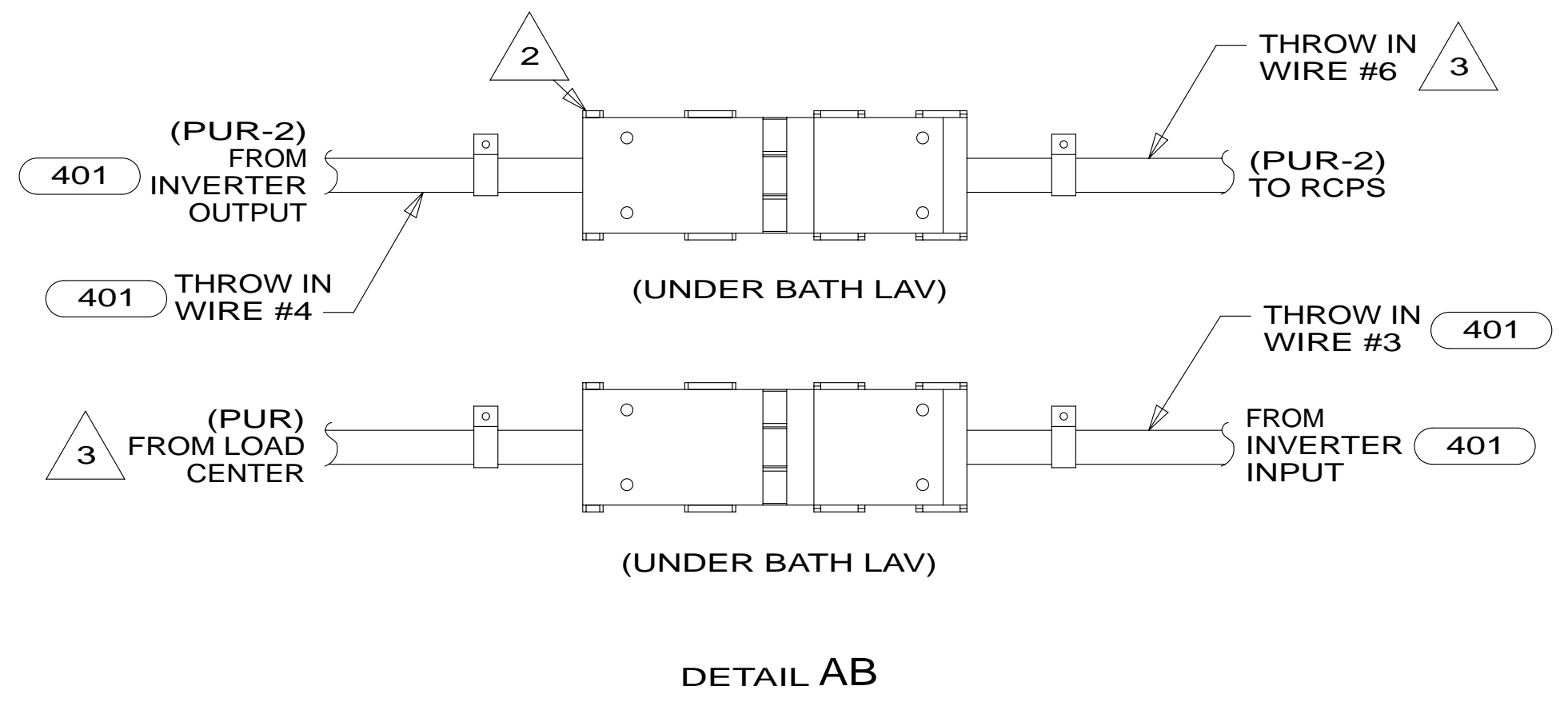
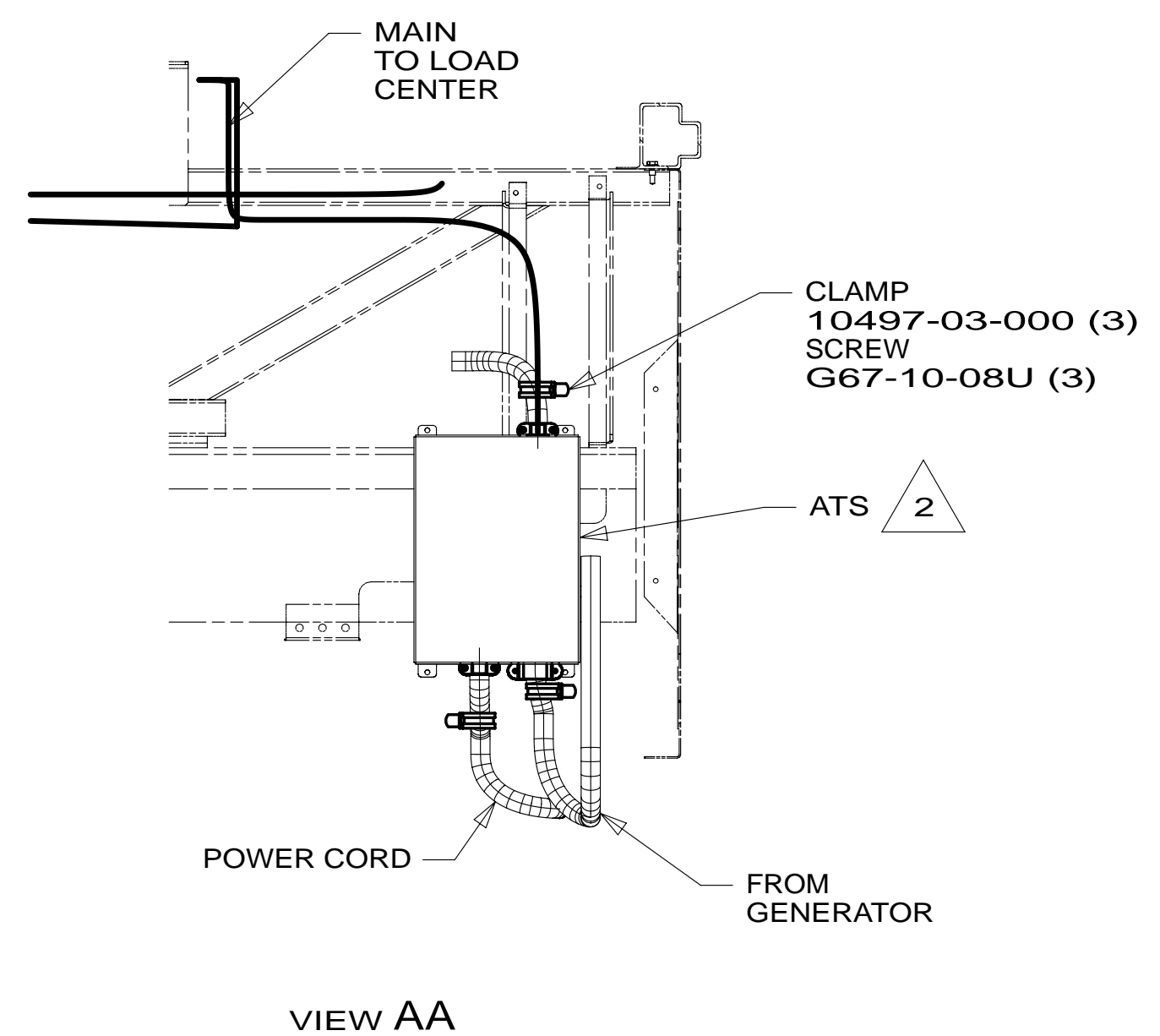


CAUTION

If you lack the skills, tools or equipment to perform diagnostic or repair work leave such work to an authorized Winnebago Industries dealer or other qualified shop.

DRAWING NO.	FEATURE
183541-12	1B1 78J
183541-16	265 78J

RELEASE	REV/DATE	DWG NO	183541
REV ZONE	REVISION RECORD	DATE	DFT-ORIG



5. ALL WIRES TO BE SECURED WITH CLAMP 10495 OR 10497 OR WIRE TIE 8343 OR 108046 EVERY 600MM, USE SCREW G67-XX-XXX OR G56-XX-XXX AS APPROPRIATE FOR INSTALLATION.
- 4 WIRE ROUTED THROUGH FLOOR IN THIS AREA.
- 3 WITHOUT INVERTER THROW IN #2 (PUR-2) CONNECTS TO (PUR) FROM LOAD CENTER.
- 2 SEE LOAD CENTER/ATS ASM FOR ADDITIONAL INFORMATION.
1. WIRES ROUTED UNDER FLOOR.

- 78J ELECTRICAL SYSTEM-50 AMP
- 401 INVERTER-DC/AC, 1000 WATT
- 265 CODES/STANDARDS-CSA/CMVSS
- 1B1 CODES/STANDARDS USA

WINNEBAGO

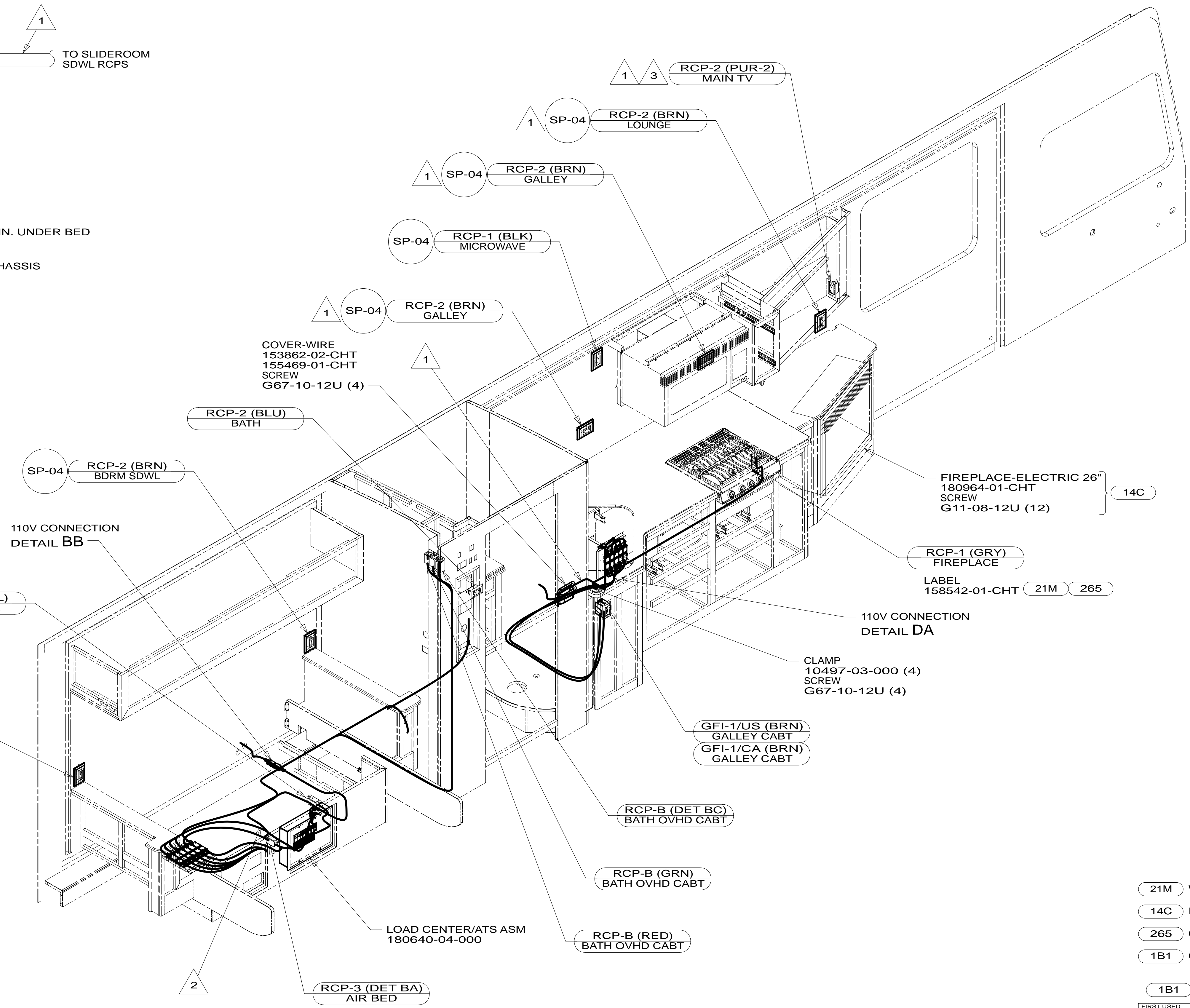
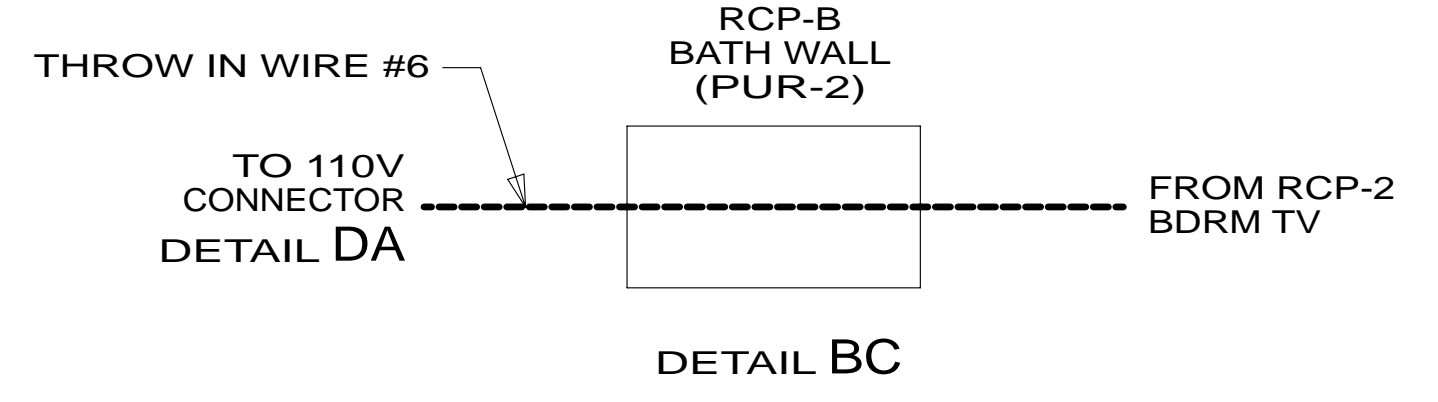
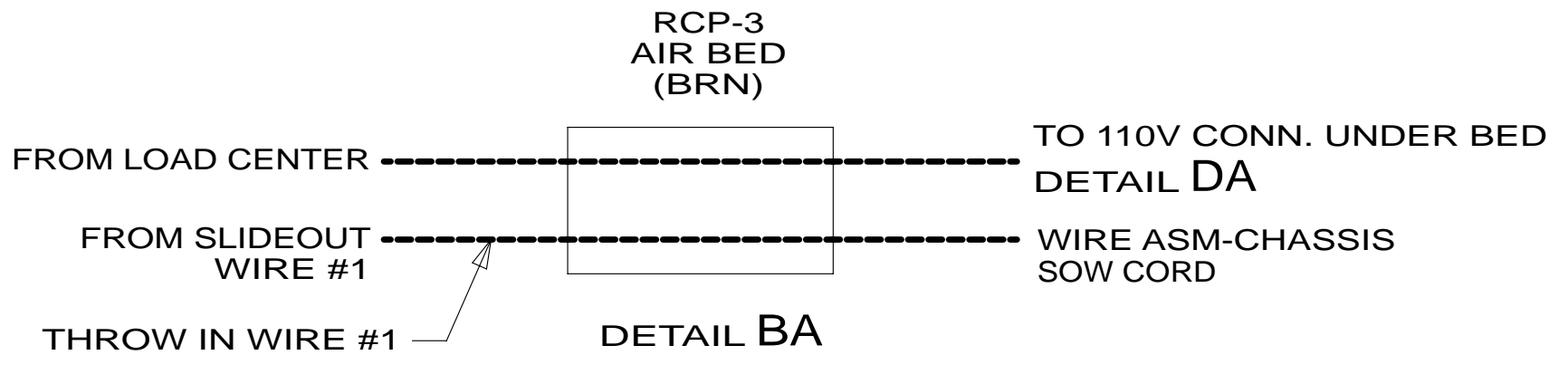
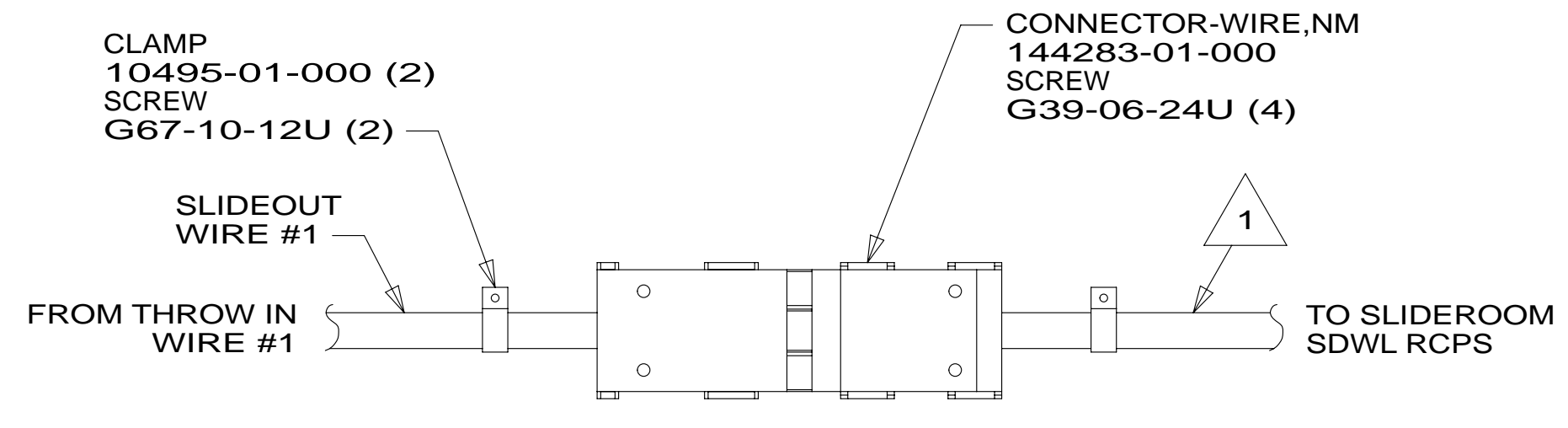
COPYRIGHT 2013 WINNEBAGO INDUSTRIES, INC.

DFT-ORIG	ORIG. DATE
CHKR	ALL DIMENSIONS ARE IN MILLIMETERS
P.E.	FIRST USED
M.E.	13 D35G
DSNR	MATERIAL:
UNSPECIFIED TOLERANCES ARE:	
WHOLE DIM (X)	: 3
ONE-PLACE (X.X)	: 1.5
TWO-PLACE (X.XX)	: 0.50
ANGLE	: 1°
THIRD ANGLE PROJECTION	
DO NOT SCALE DRAWING	REFER TO ES0018 FOR FASTENER TIGHTENING GUIDELINES
TITLE: WIRING INSTL-BODY, 110V	
SHEET 1 OF 5	PART NO 183541 REV
REF: 1	25-Mar-2013

FOR ELECTRICAL TORQUE SPECIFICATIONS SEE DWG NO. 128783-01-000

X-X FOR ELECTRICAL CALLOUTS SEE DWG NO. 121339-01-000

* 183541 * A



4. ALL WIRES TO BE SECURED WITH CLAMP 10495 OR 10497 OR WIRE TIE 8343 OR 108046 EVERY 600MM, USE SCREW G67-XX-XXX OR G56-XX-XXX AS APPROPRIATE FOR INSTALLATION.

3 SEE WIRING INSTALLATION TV/DVD FOR ADDITIONAL INFORMATION.

2 WIRE ROUTES THRU FLOOR IN THIS AREA.

1 WIRE ROUTED IN SIDEWALL

NOTES:

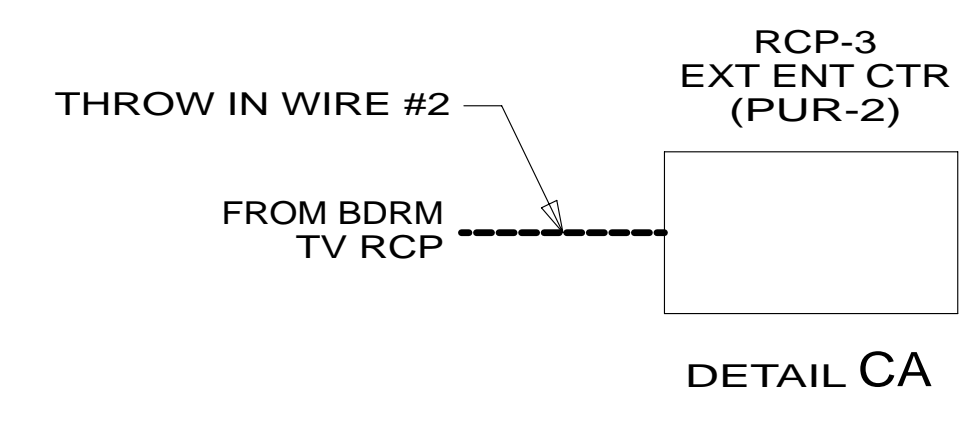
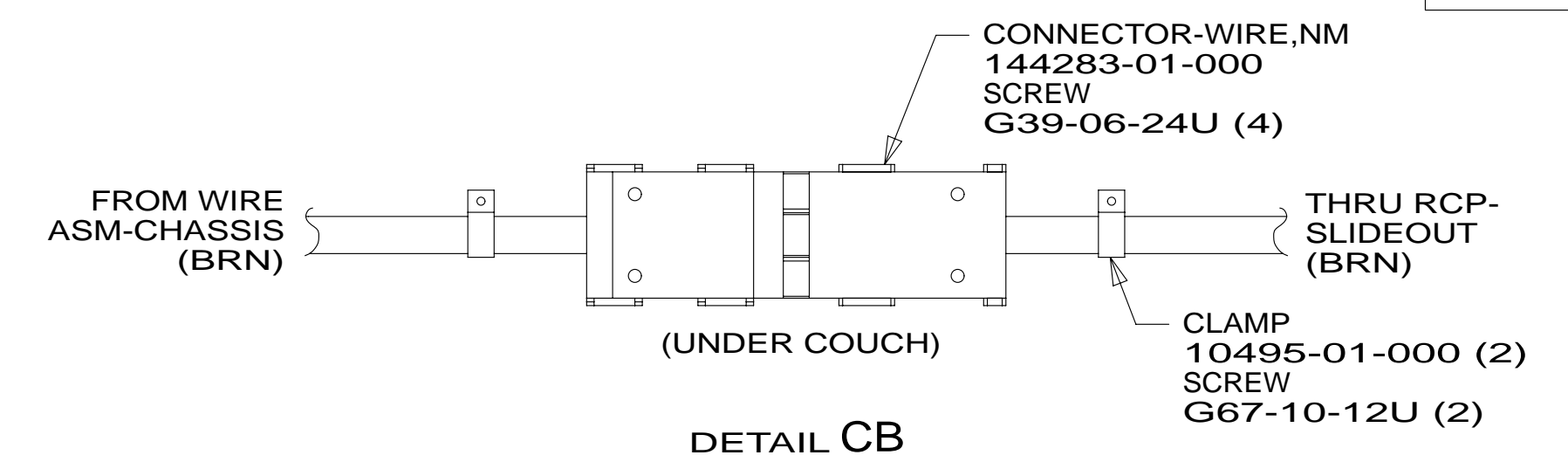
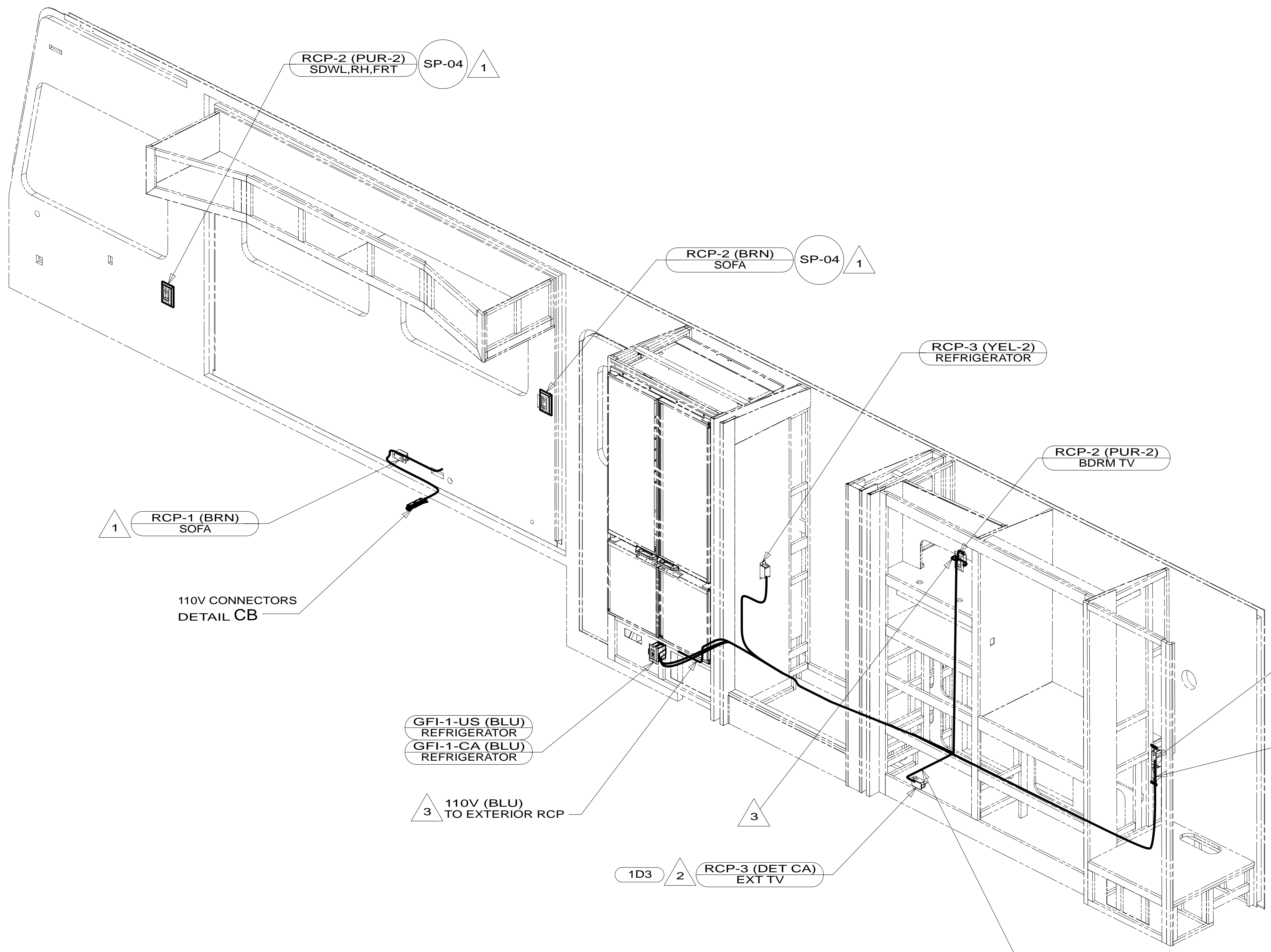
- 21M WASHER/DRYER PREP
- 14C FIREPLACE-ELECTRIC
- 265 CODES/STANDARDS-CSA/CMVSS
- 1B1 CODES/STANDARDS USA

FIRST USED	13 D35G	
DO NOT SCALE DRAWING		
TITLE: WIRING INSTL-BODY, 110V		
SHEET 2	PART NO 183541	REV
25-Mar-2013		

FOR ELECTRICAL TORQUE SPECIFICATIONS SEE DWG NO. 128783-01-000

FOR ELECTRICAL CALLOUTS SEE DWG NO. 121339-01-000

* 183541 * A



4. ALL WIRES TO BE SECURED WITH CLAMP 10495 OR 10497 OR WIRE TIE 8343 OR 108046 EVERY 600MM, USE SCREW G67-XX-XXX OR G56-XX-XXX AS APPROPRIATE FOR INSTALLATION.

3 WIRES ROUTE THRU FLOOR IN THIS AREA.

2 SEE LOAD CENTER/ATS INSTALLATION FOR ADDITIONAL INFORMATION.

1 WIRE ROUTED IN SIDEWALL.

NOTES:

- 21M WASHER/DRYER PREP
- 1D3 ENTERTAIN CENTR/EXT TV-DVD
- 265 CODES/STANDARDS-CSA/CMVSS
- 1B1 CODES/STANDARDS USA

1B1 265

FIRST USED
13 D35G

DO NOT SCALE DRAWING

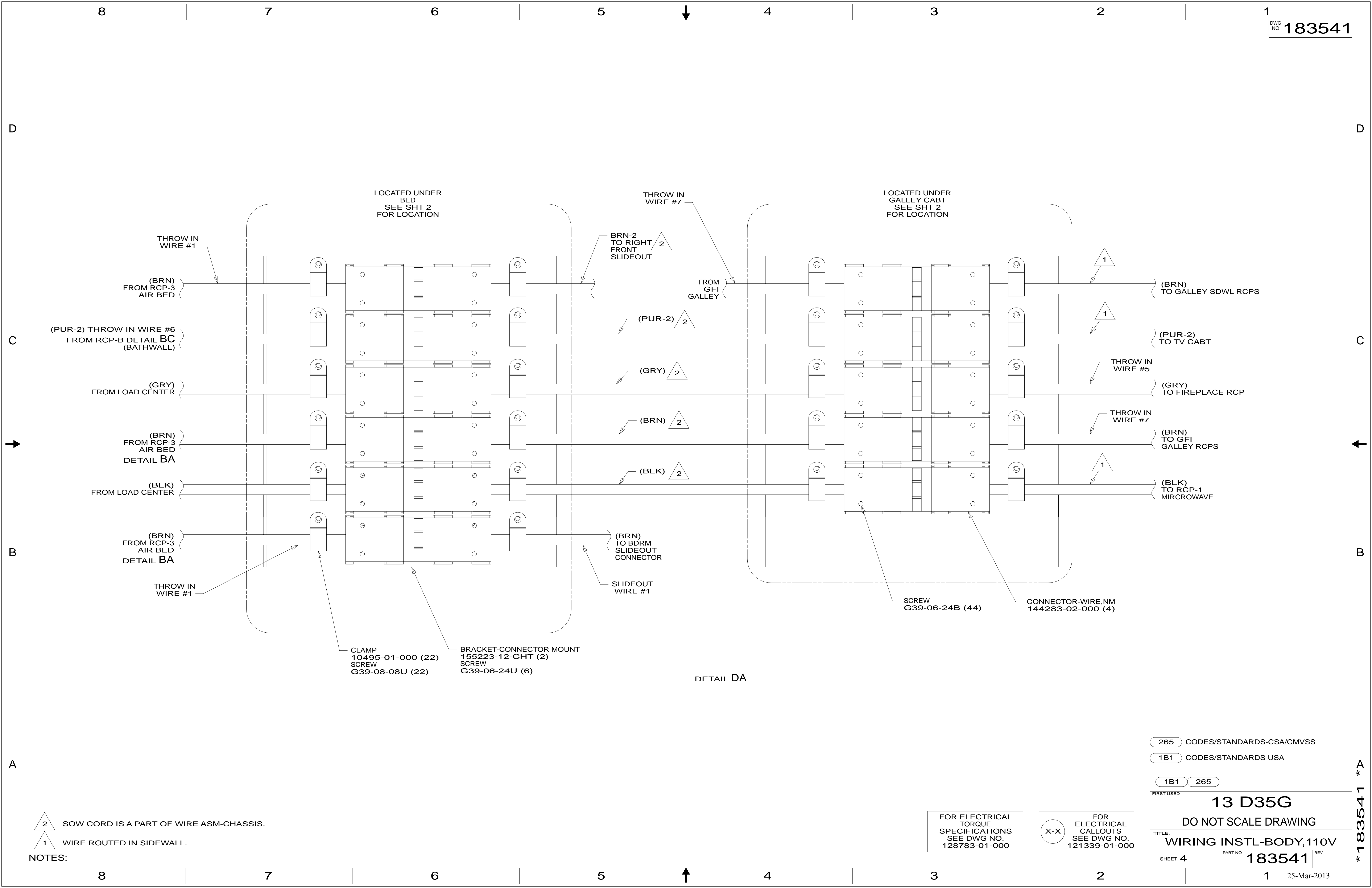
TITLE:
WIRING INSTL-BODY,110V

SHEET 3 PART NO **183541** REV

FOR ELECTRICAL
TORQUE
SPECIFICATIONS
SEE DWG NO.
128783-01-000

FOR
ELECTRICAL
CALLOUTS
SEE DWG NO.
121339-01-000

* 183541 * A



LOCATED UNDER BED
SEE SHT 2
FOR LOCATION

LOCATED UNDER
GALLEY CABT
SEE SHT 2
FOR LOCATION

THROW IN
WIRE #1

THROW IN
WIRE #7

BRN-2
TO RIGHT
FRONT
SLIDEOUT

FROM
GFI
GALLEY

(BRN)
TO GALLEY SDWL RCPS

(PUR-2) THROW IN WIRE #6
FROM RCP-B DETAIL BC
(BATHWALL)

(PUR-2)

(PUR-2)
TO TV CABT

(GRY)
FROM LOAD CENTER

(GRY)

THROW IN
WIRE #5

(GRY)
TO FIREPLACE RCP

(BRN)
FROM RCP-3
AIR BED
DETAIL BA

(BRN)

THROW IN
WIRE #7

(BRN)
TO GFI
GALLEY RCPS

(BLK)
FROM LOAD CENTER

(BLK)

THROW IN
WIRE #7

(BLK)
TO RCP-1
MIRCROWAVE

(BRN)
FROM RCP-3
AIR BED
DETAIL BA

(BRN)
TO BDRM
SLIDEOUT
CONNECTOR

THROW IN
WIRE #1

SLIDEOUT
WIRE #1

SCREW
G39-06-24B (44)

CONNECTOR-WIRE,NM
144283-02-000 (4)

CLAMP
10495-01-000 (22)
SCREW
G39-08-08U (22)

BRACKET-CONNECTOR MOUNT
155223-12-CHT (2)
SCREW
G39-06-24U (6)

DETAIL DA

265 CODES/STANDARDS-CSA/CMVSS

1B1 CODES/STANDARDS USA

1B1 265

FIRST USED
13 D35G

DO NOT SCALE DRAWING

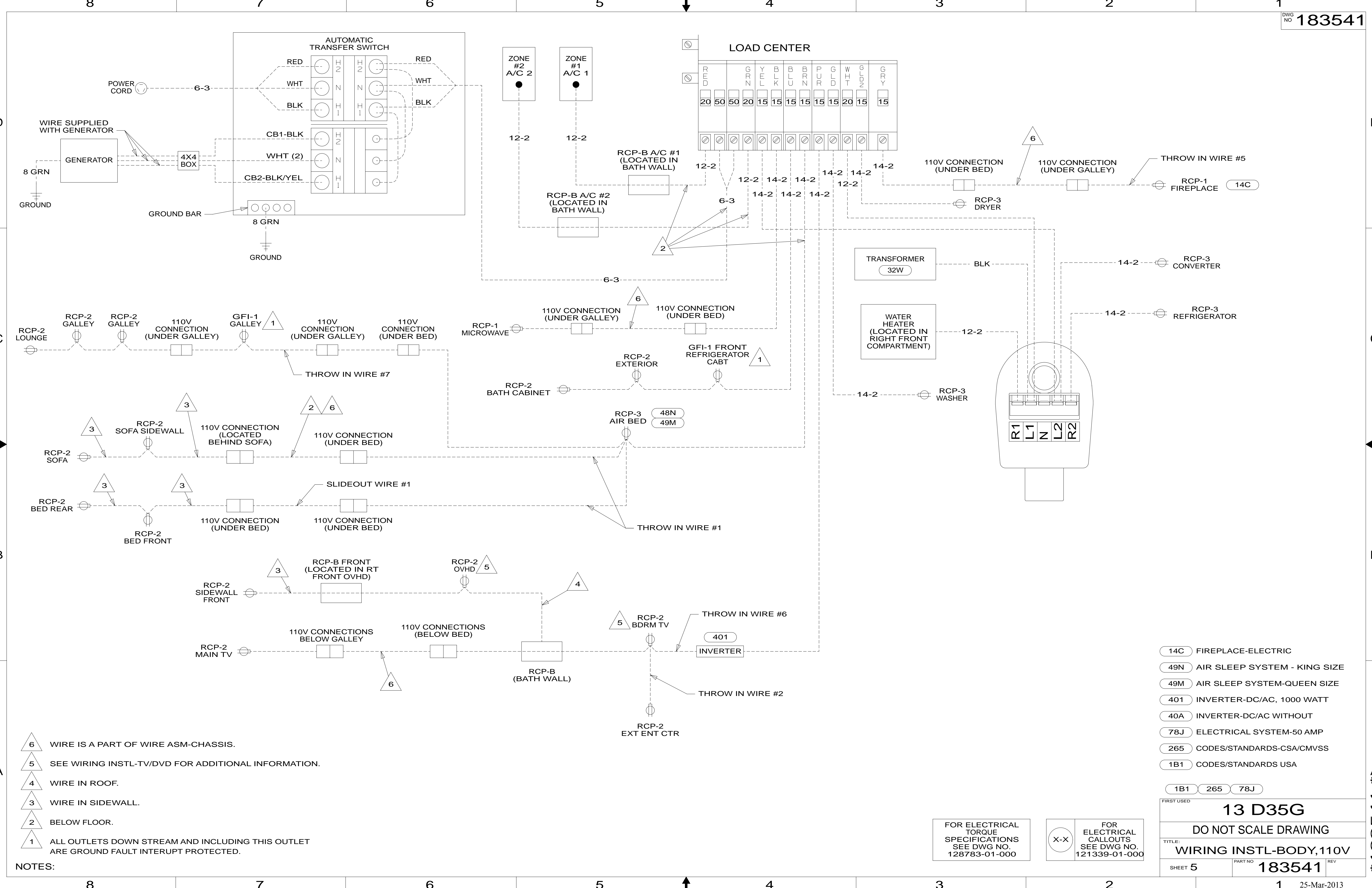
TITLE:
WIRING INSTL-BODY, 110V

SHEET 4 PART NO **183541** REV

2 SOW CORD IS A PART OF WIRE ASM-CHASSIS.
1 WIRE ROUTED IN SIDEWALL.

FOR ELECTRICAL
TORQUE
SPECIFICATIONS
SEE DWG NO.
128783-01-000

X-X
FOR
ELECTRICAL
CALLOUTS
SEE DWG NO.
121339-01-000



- NOTES:
- 6 WIRE IS A PART OF WIRE ASM-CHASSIS.
 - 5 SEE WIRING INSTL-TV/DVD FOR ADDITIONAL INFORMATION.
 - 4 WIRE IN ROOF.
 - 3 WIRE IN SIDEWALL.
 - 2 BELOW FLOOR.
 - 1 ALL OUTLETS DOWN STREAM AND INCLUDING THIS OUTLET ARE GROUND FAULT INTERUPT PROTECTED.

- 14C FIREPLACE-ELECTRIC
- 49N AIR SLEEP SYSTEM - KING SIZE
- 49M AIR SLEEP SYSTEM-QUEEN SIZE
- 401 INVERTER-DC/AC, 1000 WATT
- 40A INVERTER-DC/AC WITHOUT
- 78J ELECTRICAL SYSTEM-50 AMP
- 265 CODES/STANDARDS-CSA/CMVSS
- 1B1 CODES/STANDARDS USA

1B1	265	78J
FIRST USED		
13 D35G		
DO NOT SCALE DRAWING		
TITLE: WIRING INSTL-BODY, 110V		
SHEET 5	PART NO 183541	REV
25-Mar-2013		

FOR ELECTRICAL TORQUE SPECIFICATIONS SEE DWG NO. 128783-01-000

FOR ELECTRICAL CALLOUTS SEE DWG NO. 121339-01-000

* 183541 * A