



DANGER

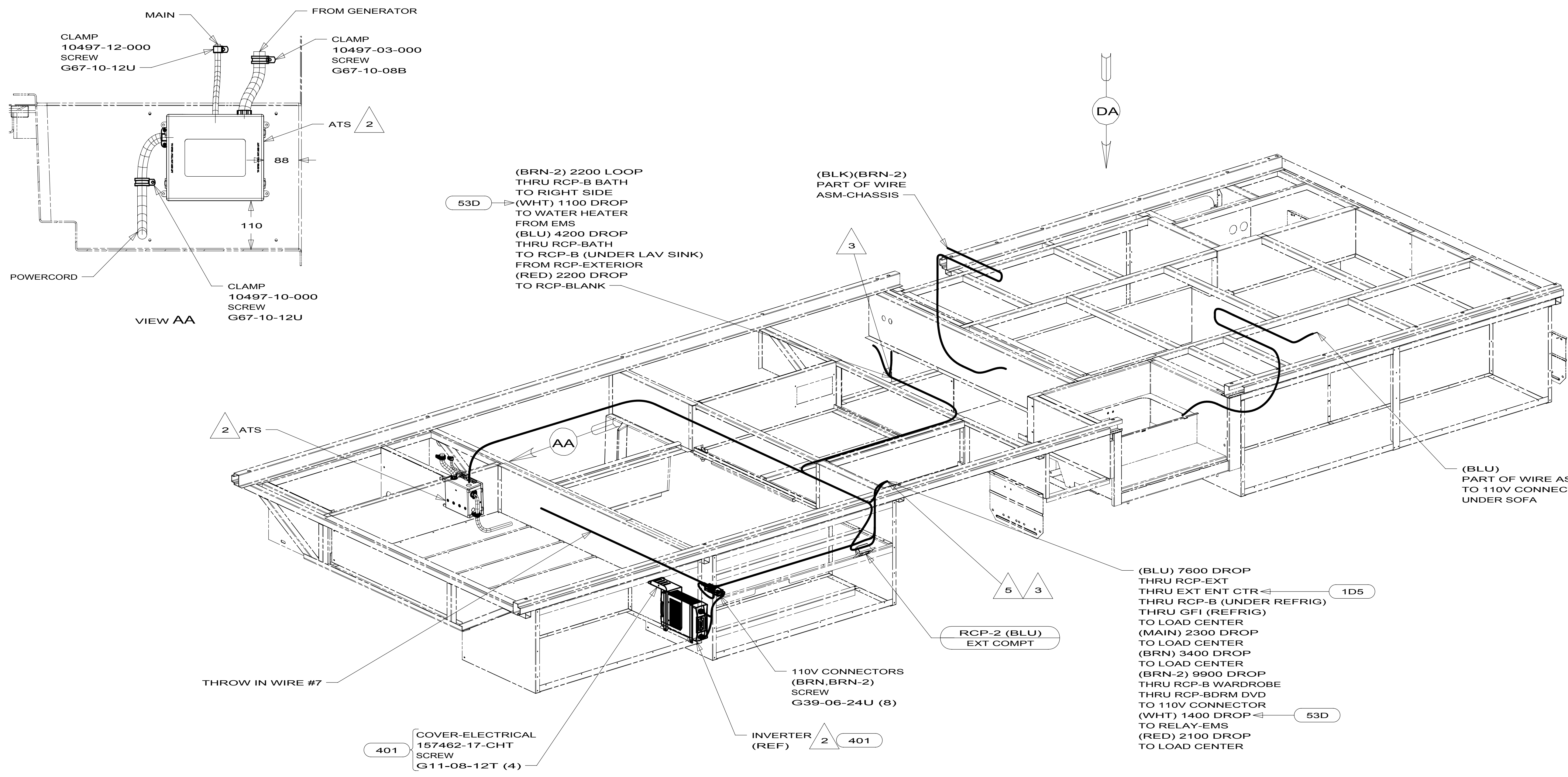
Danger of electrical shock, burns or death. Always remove all power sources before attempting any repair, service or diagnostic work. Power can be present from shore power, generator, inverter or battery. All power sources must be disabled and secured before performing any service.



CAUTION

If you lack the skills, tools or equipment to perform diagnostic or repair work leave such work to an authorized Winnebago Industries dealer or other qualified shop.

DRAWING NO.	FEATURE
182810-01	-----
182810-11	1B1 12D
182810-15	265 12D



- 5** ROUTE GROUND WIRE FROM LOAD CENTER AND MODULE-ALS THROUGH FLOOR IN THIS AREA AND CONNECT TO GROUND STUD OF FRAME ASM..
- 4.** ALL WIRES TO BE SECURED WITH CLAMP 10495 OR 10497 OR WIRE TIE 8343 OR 108046 EVERY 600MM, USE SCREW G67-XX-XXX OR G56-XX-XXX AS APPROPRIATE FOR INSTALLATION.
- 3** WIRE ROUTED THROUGH FLOOR IN THIS AREA.
- 2** SEE LOAD CENTER/ATS FOR ADDITIONAL INFORMATION.
- 1.** WIRES ROUTED UNDER FLOOR.

- 401** INVERTER-DC/AC, 1000 WATT
- 53D** WTR HTR-6GAL/ELE/LP/MOTORAID
- 1D5** ENTERTAINMENT CENTR/EXT W/CD
- 12D** ELECTRICAL SYSTEM 30 AMP
- 265** CODES/STANDARDS-CSA/CMVSS
- 1B1** CODES/STANDARDS USA

1B1 265 12D

WINNEBAGO INDUSTRIES

COPYRIGHT 2011 WINNEBAGO INDUSTRIES, INC.

DTR	ORIG. DATE
CHKR	ALL DIMENSIONS ARE IN MILLIMETERS
P.E.	
M.E.	FIRST USED
DSNR	13 E30T

UNSPECIFIED TOLERANCES ARE:

WHOLE DIM (X)	: 3
ONE-PLACE (X.X)	: 1.5
TWO-PLACE (X.XX)	: 0.50
ANGLE	: 1°

THIRD ANGLE PROJECTION

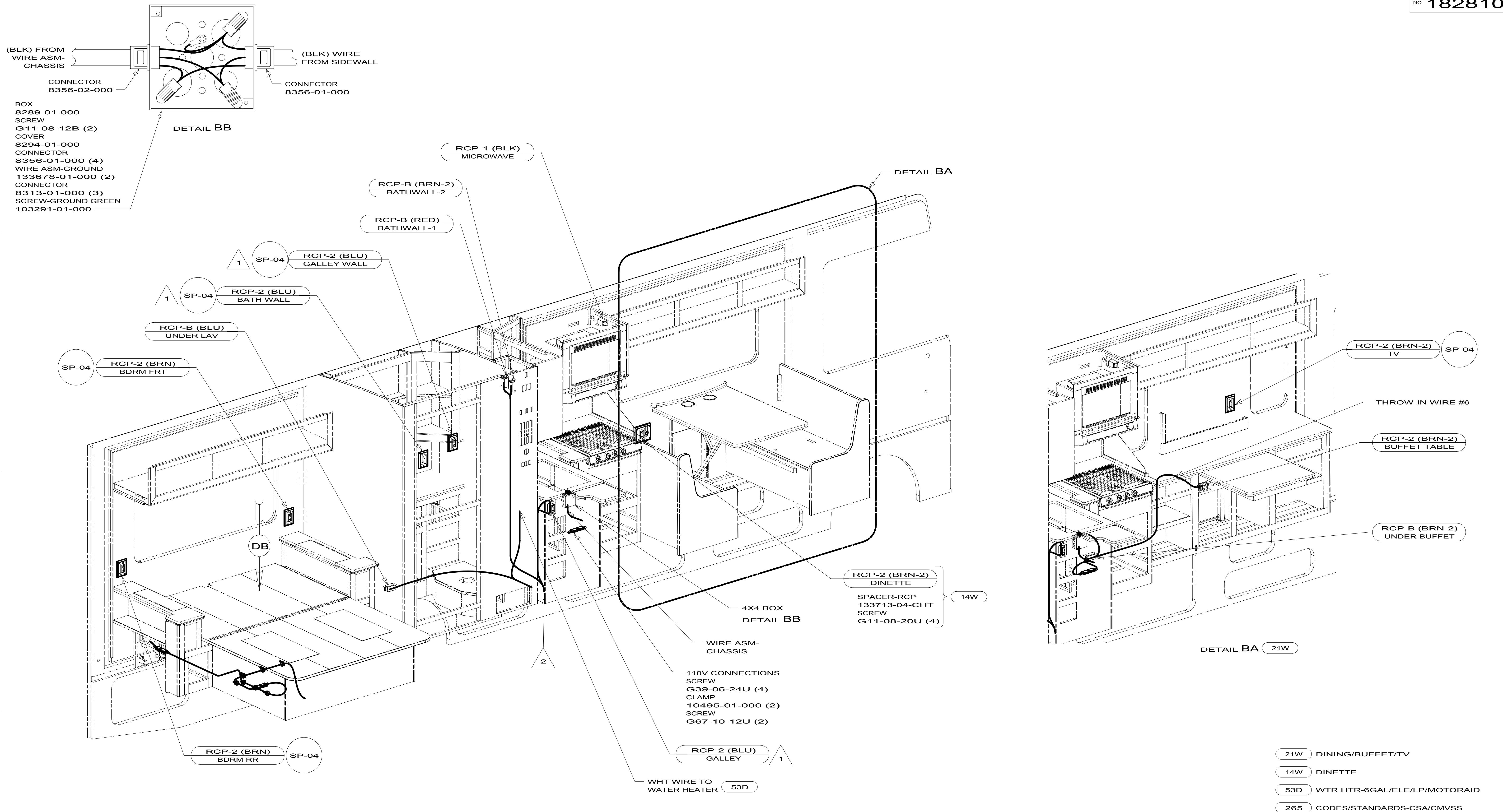
DO NOT SCALE DRAWING REFER TO ES0018 FOR FASTENER TIGHTENING GUIDELINES

TITLE: **WIRING INSTL-BODY, 110V**

SHEET **1** OF **5** PART NO **182810** REV

FOR ELECTRICAL TORQUE SPECIFICATIONS SEE DWG NO. 128783-01-000

FOR ELECTRICAL CALLOUTS SEE DWG NO. 121339-01-000



- BOX
8289-01-000
SCREW
G11-08-12B (2)
COVER
8294-01-000
CONNECTOR
8356-01-000 (4)
WIRE ASM-GROUND
133678-01-000 (2)
CONNECTOR
8313-01-000 (3)
SCREW-GROUND GREEN
103291-01-000

- NOTES:
- 4 WIRE ROUTED IN ROOF.
 - 3. ALL WIRES TO BE SECURED WITH CLAMP 10495 OR 10497 OR WIRE TIE 8343 OR 108046 EVERY 600MM, USE SCREW G67-XX-XXX OR G56-XX-XXX AS APPROPRIATE FOR INSTALLATION.
 - 2 WIRE ROUTED THRU FLOOR IN THIS AREA.
 - 1 WIRE ROUTED IN SIDEWALL.

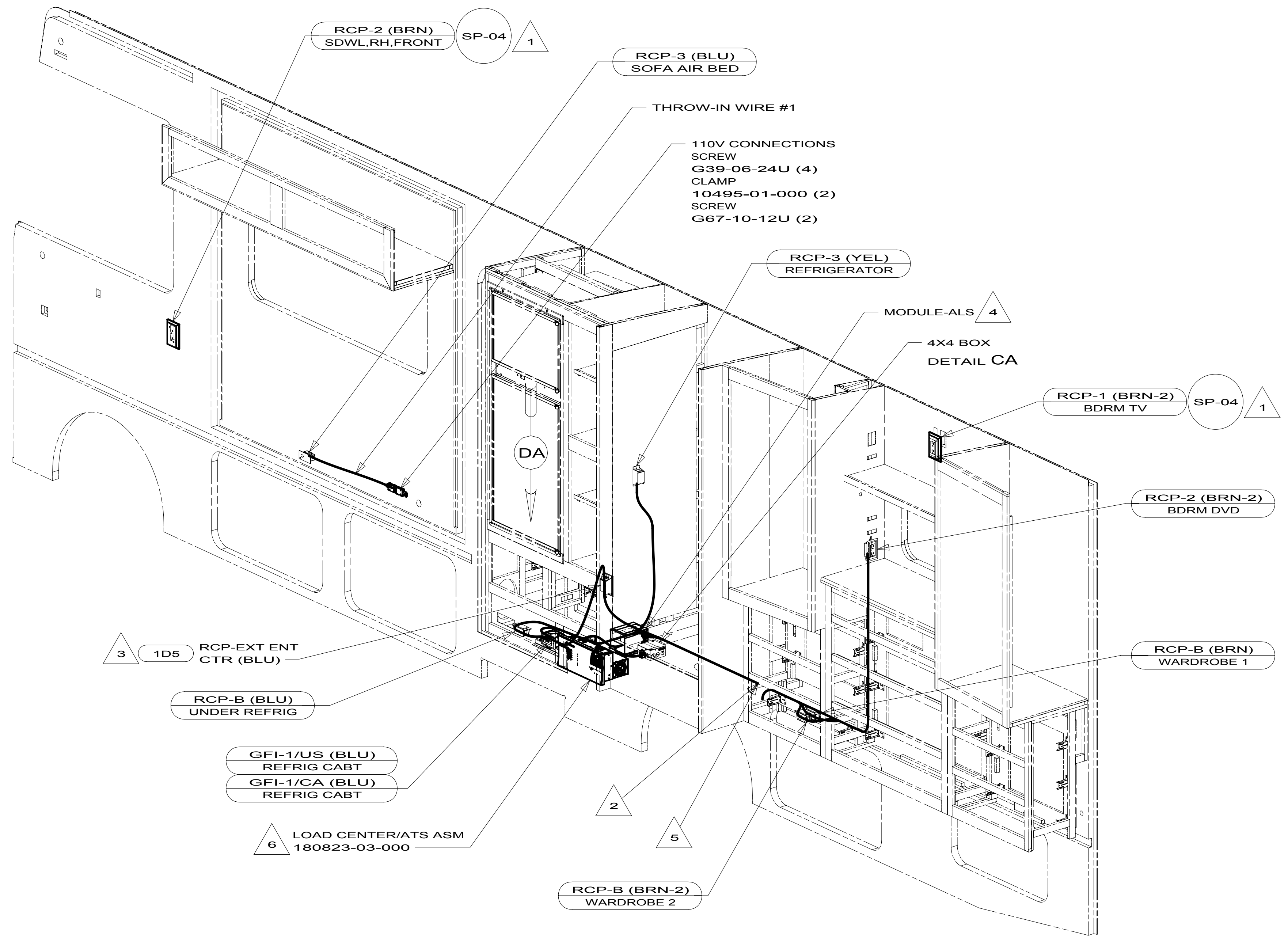
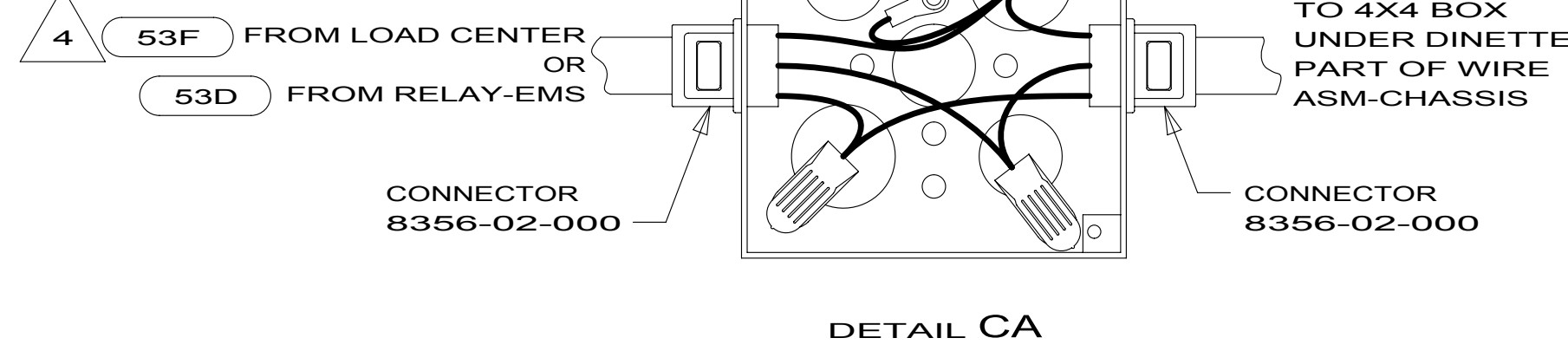
- 21W DINING/BUFFET/TV
- 14W DINETTE
- 53D WTR HTR-6GAL/ELE/LP/MOTORAID
- 265 CODES/STANDARDS-CSA/CMVSS
- 1B1 CODES/STANDARDS USA

FOR ELECTRICAL TORQUE SPECIFICATIONS SEE DWG NO. 128783-01-000

FOR ELECTRICAL CALLOUTS SEE DWG NO. 121339-01-000

FIRST USED		13 E30T	
DO NOT SCALE DRAWING			
TITLE: WIRING INSTL-BODY, 110V			
SHEET 2	PART NO.	182810	REV

- BOX 8289-01-000
- SCREW G11-08-12B (2)
- COVER 8294-01-000
- CONNECTOR 8356-01-000 (4)
- WIRE ASM-GROUND 133678-01-000 (2)
- CONNECTOR 8313-01-000 (3)
- SCREW-GROUND GREEN 103291-01-000



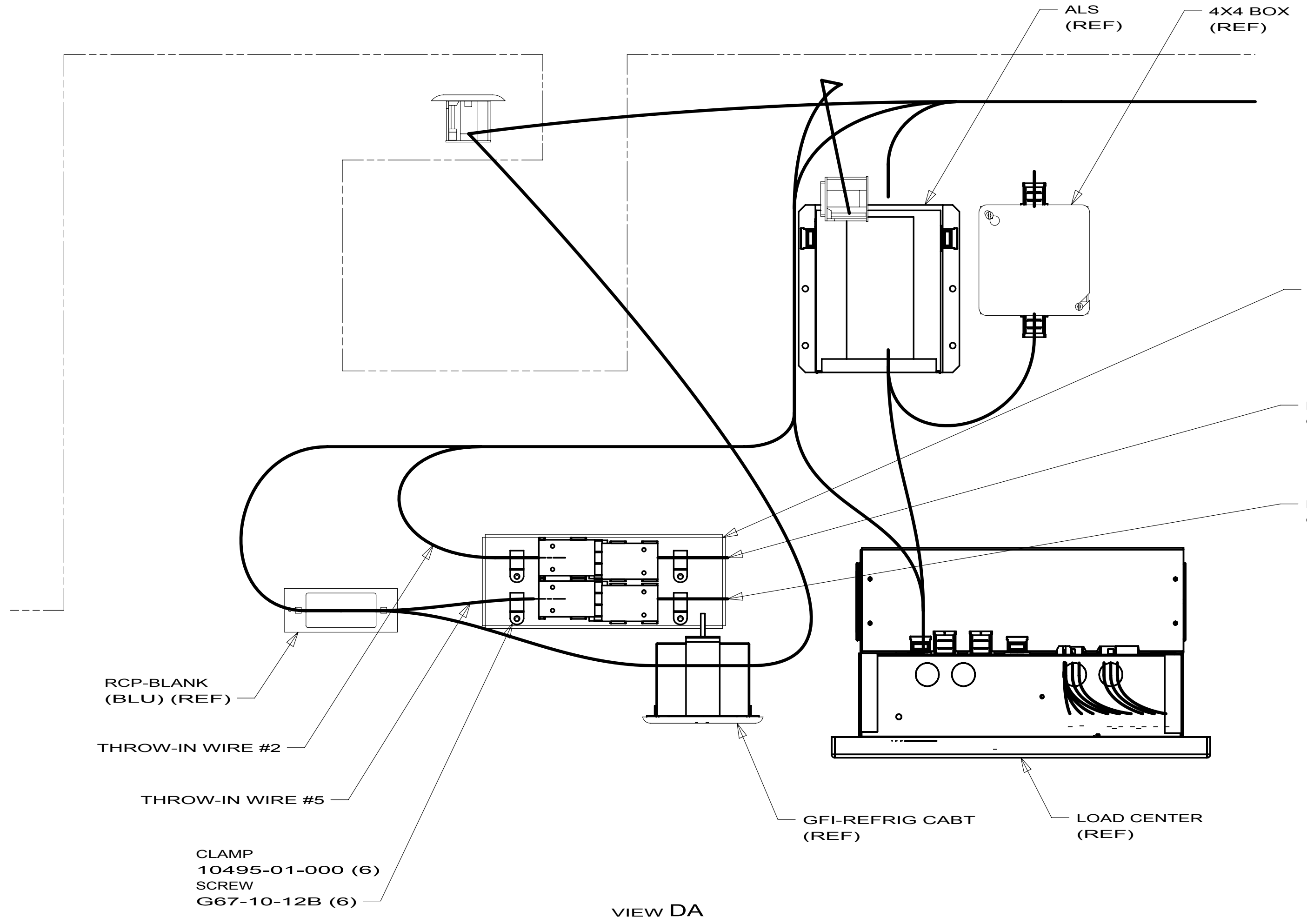
7. ALL WIRES TO BE SECURED WITH CLAMP 10495 OR 10497 OR WIRE TIE 8343 OR 108046 EVERY 600MM, USE SCREW G67-XX-XXX OR G56-XX-XXX AS APPROPRIATE FOR INSTALLATION.
- 6 LOAD CENTER GROUND WIRES MUST BE ATTACHED DIRECTLY TO CHASSIS GROUND.
- 5 WIRES ROUTED THROUGH FLOOR IN THIS AREA.
- 4 SEE LOAD CENTER/ATS ASM FOR ADDITIONAL INFORMATION.
- 3 SEE ENTERTAINMENT CENTER COMPL FOR ADDITIONAL INFORMATION.
- 2 ROUTE GROUND WIRE (8 GA GRN) FROM LOAD CENTER THROUGH FLOOR TO GROUND BOLT ON CHASSIS FRAME RAIL.
- 1 WIRE ROUTED IN SIDEWALL.

- 53D WTR HTR-6GAL/ELE/LP/MOTORAID
- 53F WATER HEATER-ELEC. IGNITION
- 1D5 ENTERTAINMENT CENTR/EXT W/CD
- 265 CODES/STANDARDS-CSA/CMVSS
- 1B1 CODES/STANDARDS USA

FIRST USED	
13 E30T	
DO NOT SCALE DRAWING	
TITLE: WIRING INSTL-BODY, 110V	
SHEET 3	PART NO 182810 REV

FOR ELECTRICAL TORQUE SPECIFICATIONS SEE DWG NO. 128783-01-000

FOR ELECTRICAL CALLOUTS SEE DWG NO. 121339-01-000



VIEW DA

BRACKET-110V CONNECTOR
156223-05-CHT
SCREW
G39-08-12B (2)

FROM WIRE ASM-
CHASSIS (BRN-2)

FROM WIRE ASM-
CHASSIS (BLU)

RCP-BLANK
(BLU) (REF)

THROW-IN WIRE #2

THROW-IN WIRE #5

CLAMP
10495-01-000 (6)
SCREW
G67-10-12B (6)

GFI-REFRIG CABT
(REF)

LOAD CENTER
(REF)

CONNECTOR-WIRE,NM, CLEAR
144283-02-000
SCREW
G39-06-24B (4)

THRU RCP-2 BDRM,REAR
TO RCP-2 BDRM,FRONT $\triangle 6$

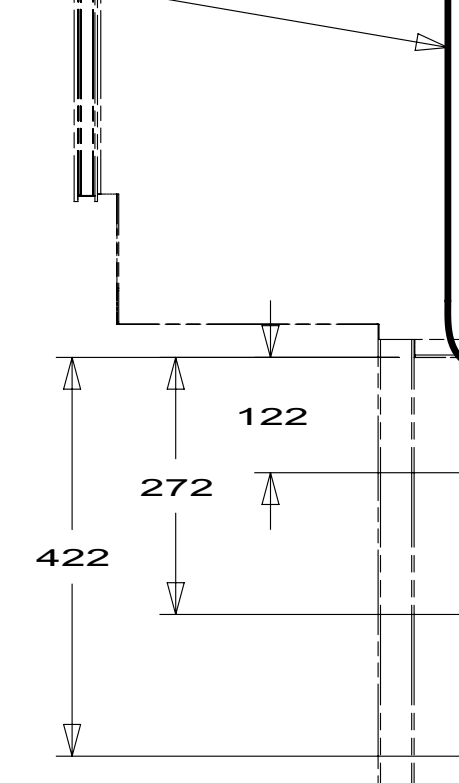
CLAMP
10495-01-000 (4)
SCREW
G67-10-12B (4)

SLIDEOUT WIRE #1
(BRN)

CLAMP
10497-03-000 (7)
SCREW
G39-06-12U (7) $\triangle 4$ $\triangle 5$

CUTOUT IN FLOOR

SCREW
G39-06-24B (4)



- NOTES:
- $\triangle 6$ WIRE ROUTED IN SIDEWALL.
 - $\triangle 5$ RUN 12V WIRE ALONG WITH SLIDEOUT WIRE #2.
 - $\triangle 4$ WIRE MUST BE ROUTED THROUGH CLAMPS AS SHOWN.
 - $\triangle 3$ CONVOLUTE TUBING STOPS HERE AND BRAIDED SLEEVING STARTS.
 - $\triangle 2$ WITH SLIDEOUT ROOM IN, ALLOW 400 MM OF WIRE BETWEEN U-CHANNEL, WIRE SUPPORT AND SUPPORT ASM. WIRE FOR PROPER OPERATION.
 - $\triangle 1$ USE WIRE TIE 8343-02-000 AND SECURE WIRE HARNESS TO WIRE TRAYS.

DETAIL DB

265 CODES/STANDARDS-CSA/CMVSS

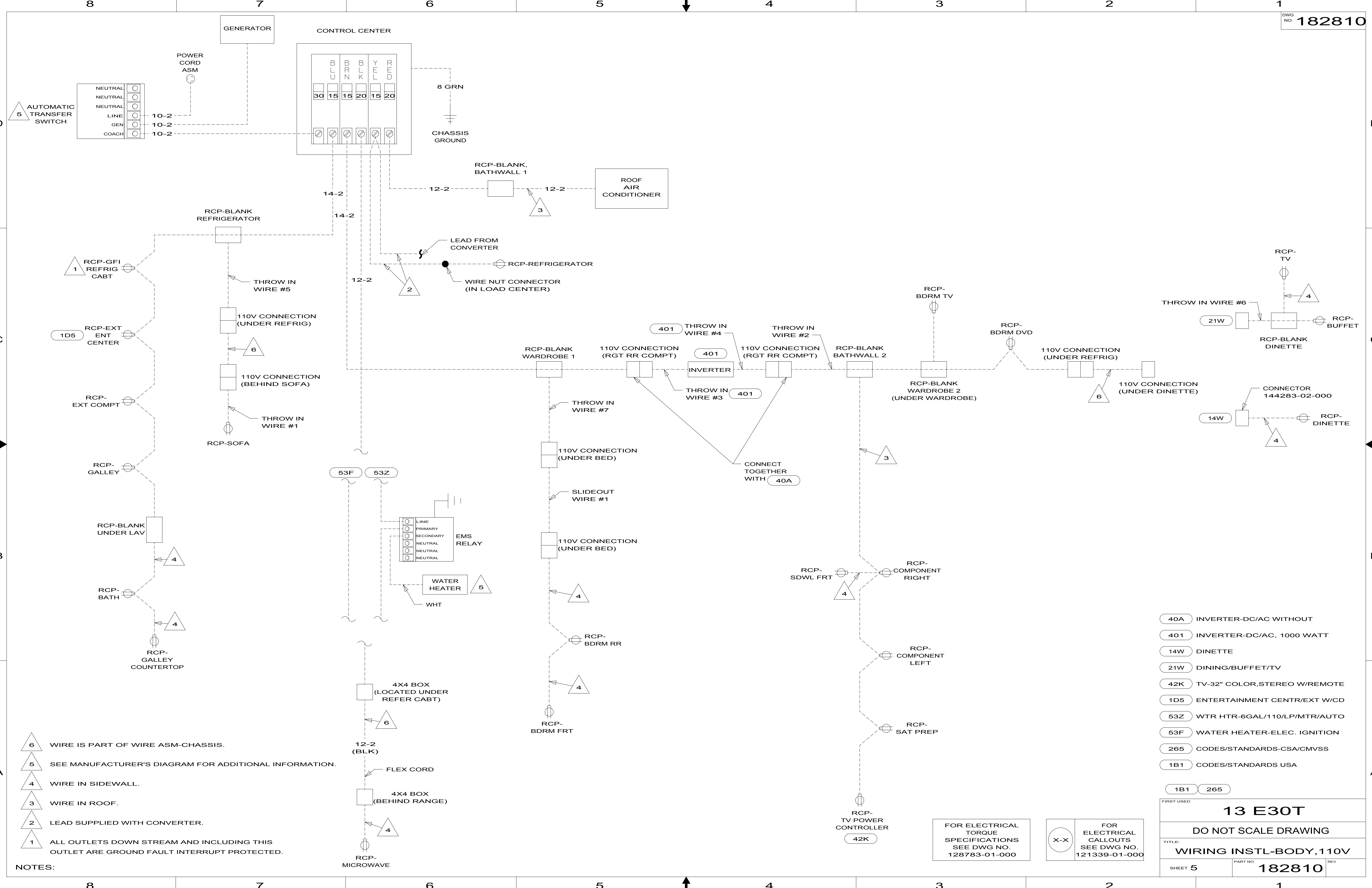
1B1 CODES/STANDARDS USA

1B1 265

FOR ELECTRICAL
TORQUE
SPECIFICATIONS
SEE DWG NO.
128783-01-000

FOR ELECTRICAL
CALLOUTS
SEE DWG NO.
121339-01-000

FIRST USED		13 E30T	
DO NOT SCALE DRAWING			
TITLE: WIRING INSTL-BODY, 110V			
SHEET 4	PART NO	182810	REV



- NOTES:**
- 6 WIRE IS PART OF WIRE ASM-CHASSIS.
 - 5 SEE MANUFACTURER'S DIAGRAM FOR ADDITIONAL INFORMATION.
 - 4 WIRE IN SIDEWALL.
 - 3 WIRE IN ROOF.
 - 2 LEAD SUPPLIED WITH CONVERTER.
 - 1 ALL OUTLETS DOWN STREAM AND INCLUDING THIS OUTLET ARE GROUND FAULT INTERRUPT PROTECTED.

- 40A INVERTER-DC/AC WITHOUT
- 401 INVERTER-DC/AC, 1000 WATT
- 14W DINETTE
- 21W DINING/BUFFET/TV
- 42K TV-32" COLOR, STEREO W/REMOTE
- 1D5 ENTERTAINMENT CENTR/EXT W/CD
- 53Z WTR HTR-6GAL/110/LP/MTR/AUTO
- 53F WATER HEATER-ELEC. IGNITION
- 265 CODES/STANDARDS-CSA/CMVSS
- 1B1 CODES/STANDARDS USA

FOR ELECTRICAL TORQUE SPECIFICATIONS SEE DWG NO. 128783-01-000

FOR ELECTRICAL CALLOUTS SEE DWG NO. 121339-01-000

FIRST USED		13 E30T	
DO NOT SCALE DRAWING			
TITLE: WIRING INSTL-BODY, 110V			
SHEET 5	PART NO.	182810	REV