



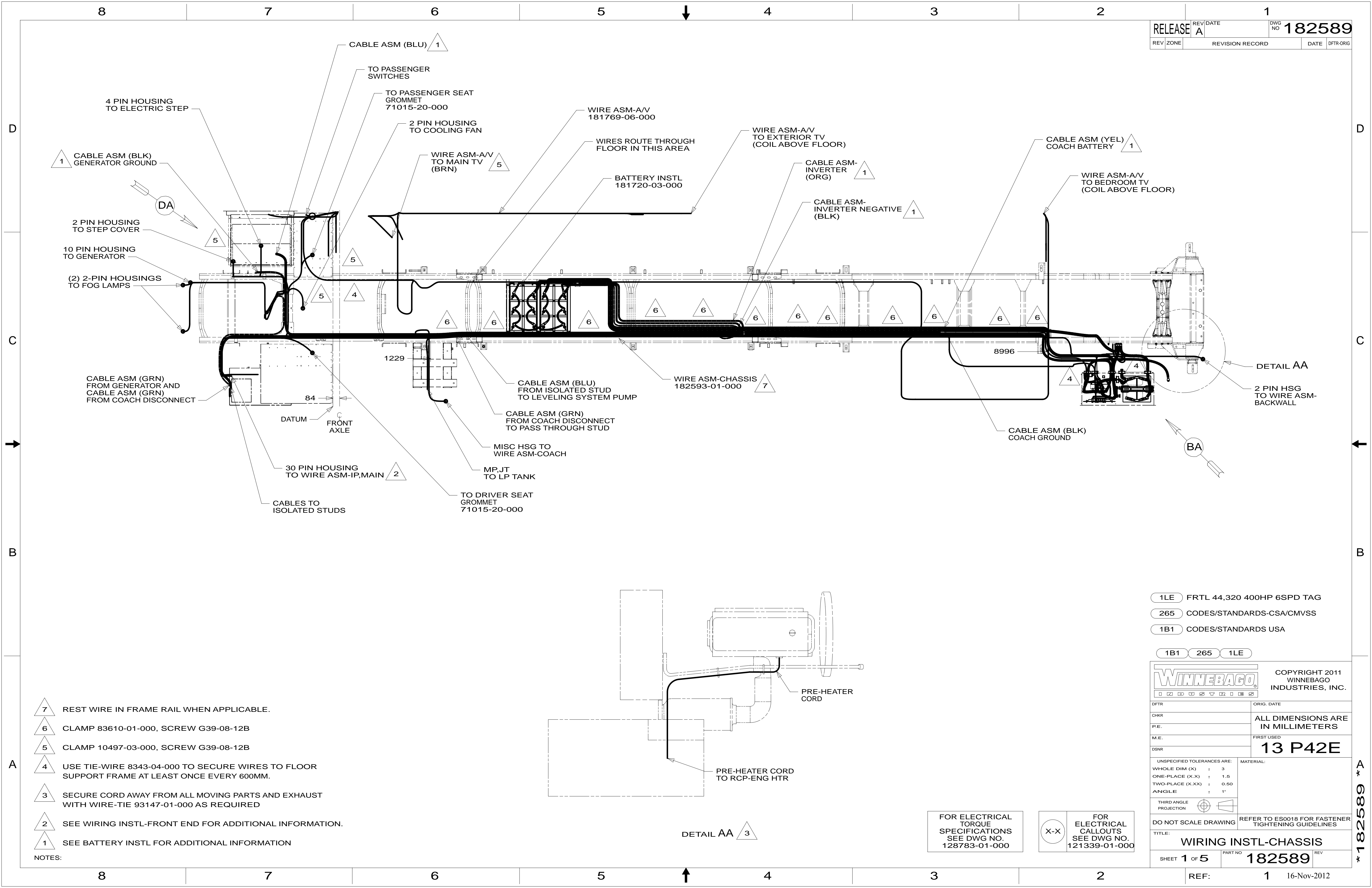
**DANGER**

**Danger of electrical shock, burns or death.** Always remove all power sources before attempting any repair, service or diagnostic work. Power can be present from shore power, generator, inverter or battery. All power sources must be disabled and secured before performing any service.



**CAUTION**

If you lack the skills, tools or equipment to perform diagnostic or repair work leave such work to an authorized Winnebago Industries dealer or other qualified shop.



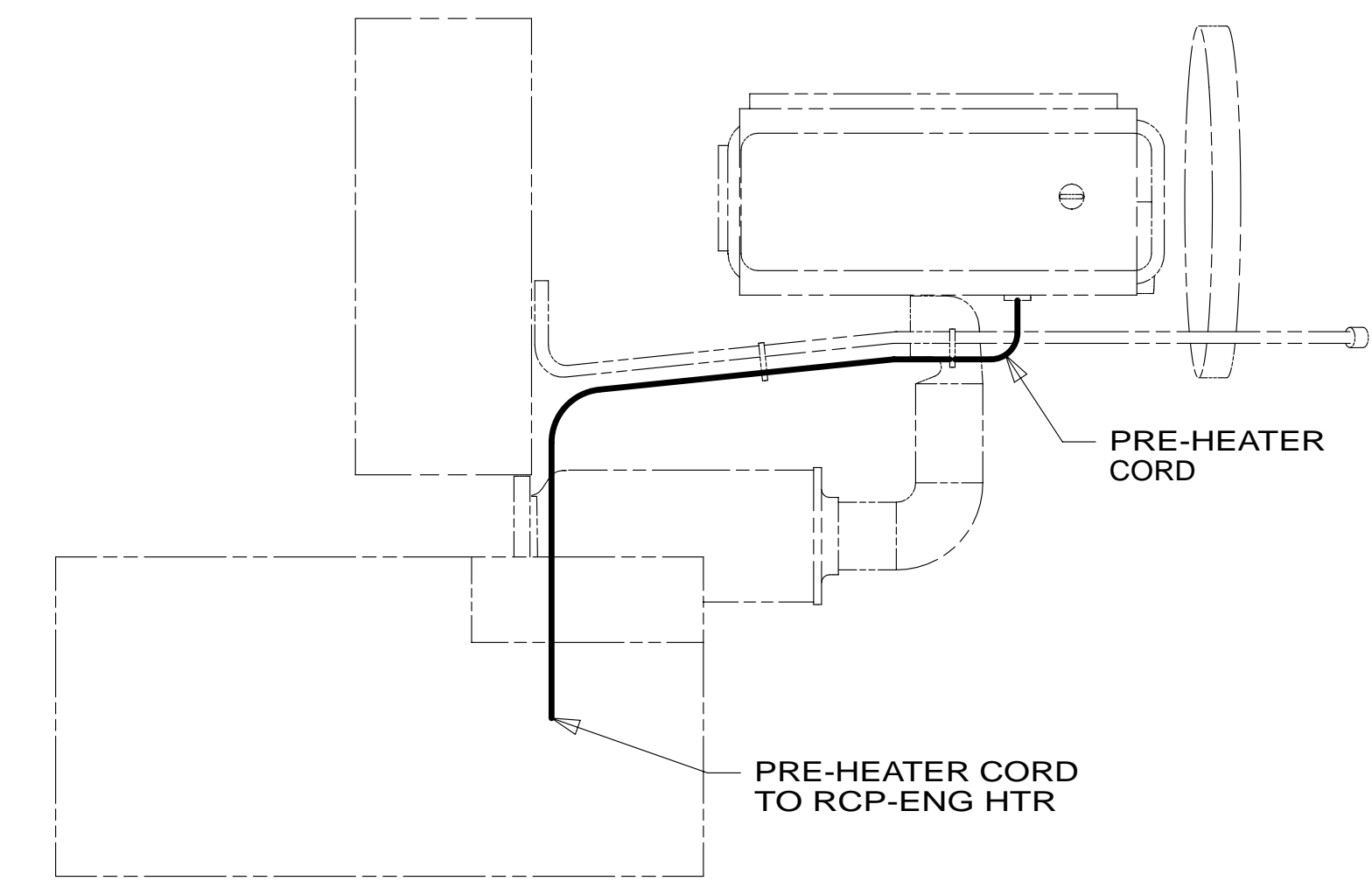
- NOTES:
- 7 REST WIRE IN FRAME RAIL WHEN APPLICABLE.
  - 6 CLAMP 83610-01-000, SCREW G39-08-12B
  - 5 CLAMP 10497-03-000, SCREW G39-08-12B
  - 4 USE TIE-WIRE 8343-04-000 TO SECURE WIRES TO FLOOR SUPPORT FRAME AT LEAST ONCE EVERY 600MM.
  - 3 SECURE CORD AWAY FROM ALL MOVING PARTS AND EXHAUST WITH WIRE-TIE 93147-01-000 AS REQUIRED
  - 2 SEE WIRING INSTL-FRONT END FOR ADDITIONAL INFORMATION.
  - 1 SEE BATTERY INSTL FOR ADDITIONAL INFORMATION

- 1LE FRTL 44,320 400HP 6SPD TAG
- 265 CODES/STANDARDS-CSA/CMVSS
- 1B1 CODES/STANDARDS USA

		COPYRIGHT 2011 WINNEBAGO INDUSTRIES, INC.
DFT-ORIG	ORIG. DATE	
CHKR	ALL DIMENSIONS ARE IN MILLIMETERS	
P.E.		
M.E.	FIRST USED	
DSNR	13 P42E	
UNSPECIFIED TOLERANCES ARE:		MATERIAL:
WHOLE DIM (X)	: 3	
ONE-PLACE (X.X)	: 1.5	
TWO-PLACE (X.XX)	: 0.50	
ANGLE	: 1°	
THIRD ANGLE PROJECTION		
DO NOT SCALE DRAWING	REFER TO ES0018 FOR FASTENER TIGHTENING GUIDELINES	
TITLE: WIRING INSTL-CHASSIS		
SHEET 1 OF 5	PART NO 182589	REV
REF:	1	16-Nov-2012

FOR ELECTRICAL TORQUE SPECIFICATIONS SEE DWG NO. 128783-01-000

FOR ELECTRICAL CALLOUTS SEE DWG NO. 121339-01-000



DETAIL AA 3

\* 182589

1 ISOLATED STUD (REF)

LABEL 98379-08-000

PANEL-CLOSEOUT, ELECTRICAL 175347-05-CHT

CIRCUIT BREAKERS DETAIL CA

LABEL 98379-04-000

COVER-ELECTRICAL BOX 141273-09-CHT LATCH 98196-01-000 (2) RIVET H15-04-02R (4)

LABEL 98379-09-000

FREIGHTLINER STARTER CABLE

CHASSIS BATTERIES (REF)

VIEW BA

1 SEE BATTERY INSTL FOR ADDITIONAL INFORMATION

NOTES:

FOR ELECTRICAL TORQUE SPECIFICATIONS SEE DWG NO. 128783-01-000

FOR ELECTRICAL CALLOUTS SEE DWG NO. 121339-01-000

- 1LE FRTL 44,320 400HP 6SPD TAG
- 265 CODES/STANDARDS-CSA/CMVSS
- 1B1 CODES/STANDARDS USA

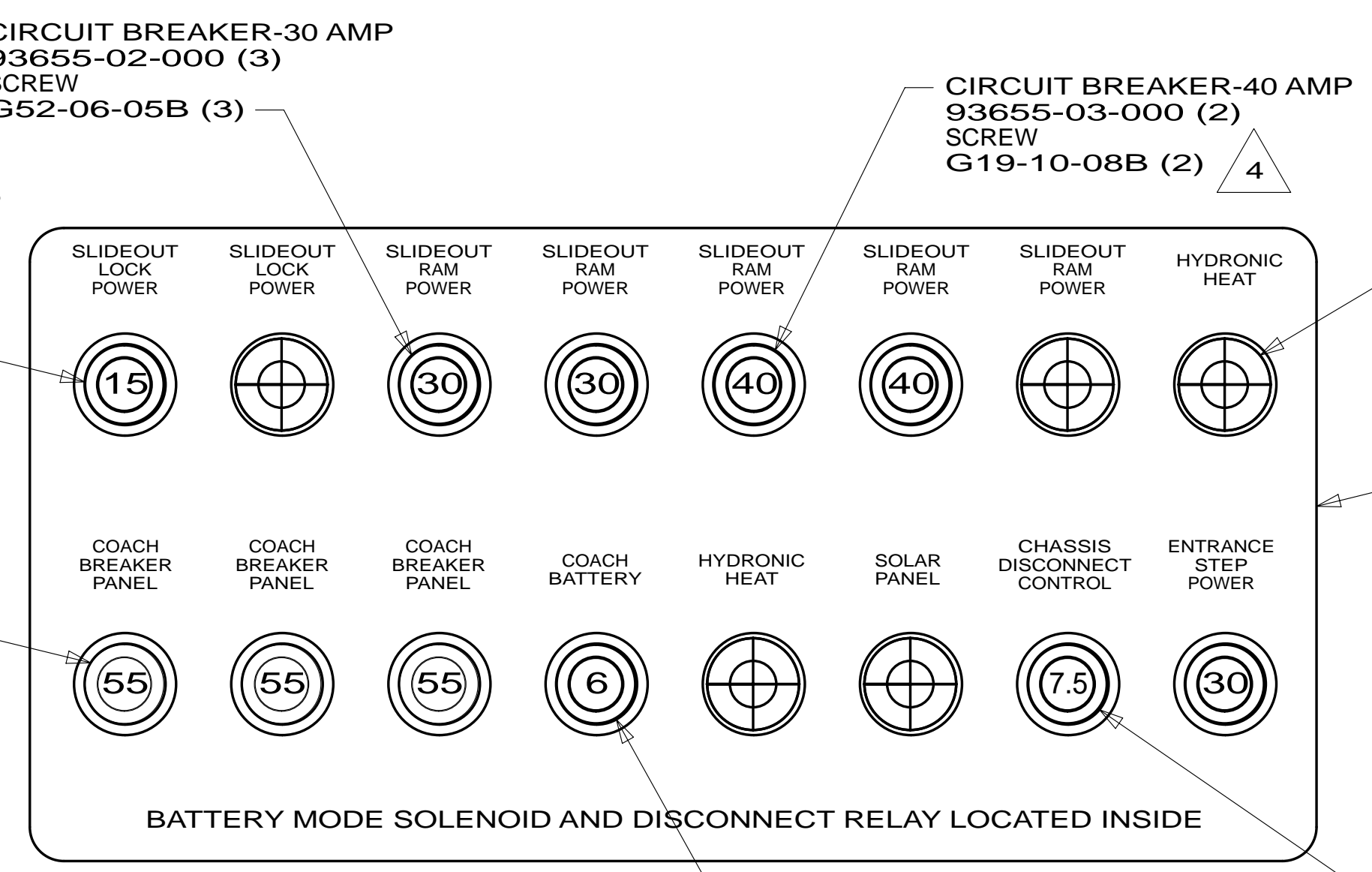
1B1 265 1LE

FIRST USED 13 P42E

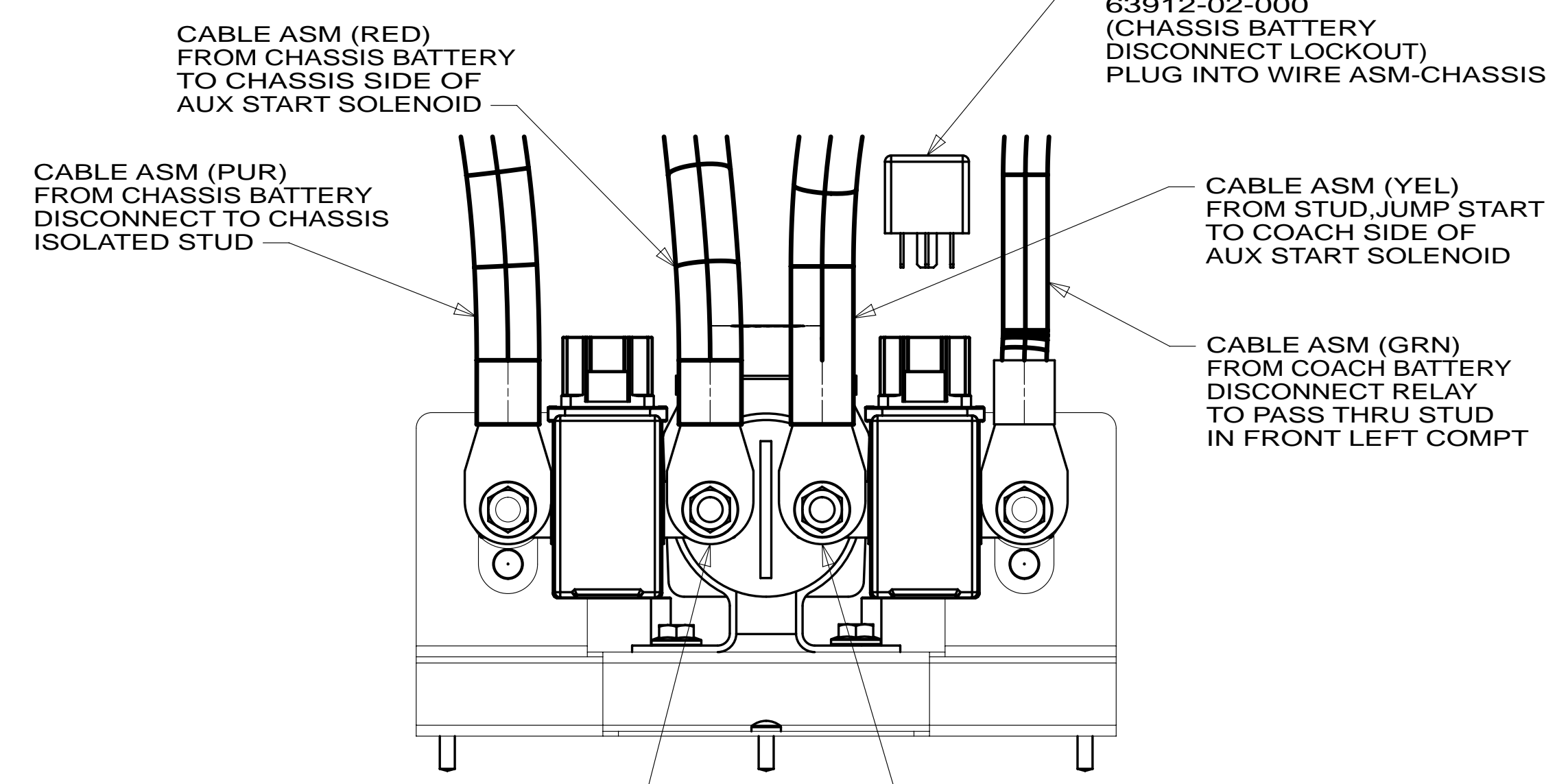
DO NOT SCALE DRAWING

TITLE: WIRING INSTL-CHASSIS

SHEET 2 PART NO 182589 REV

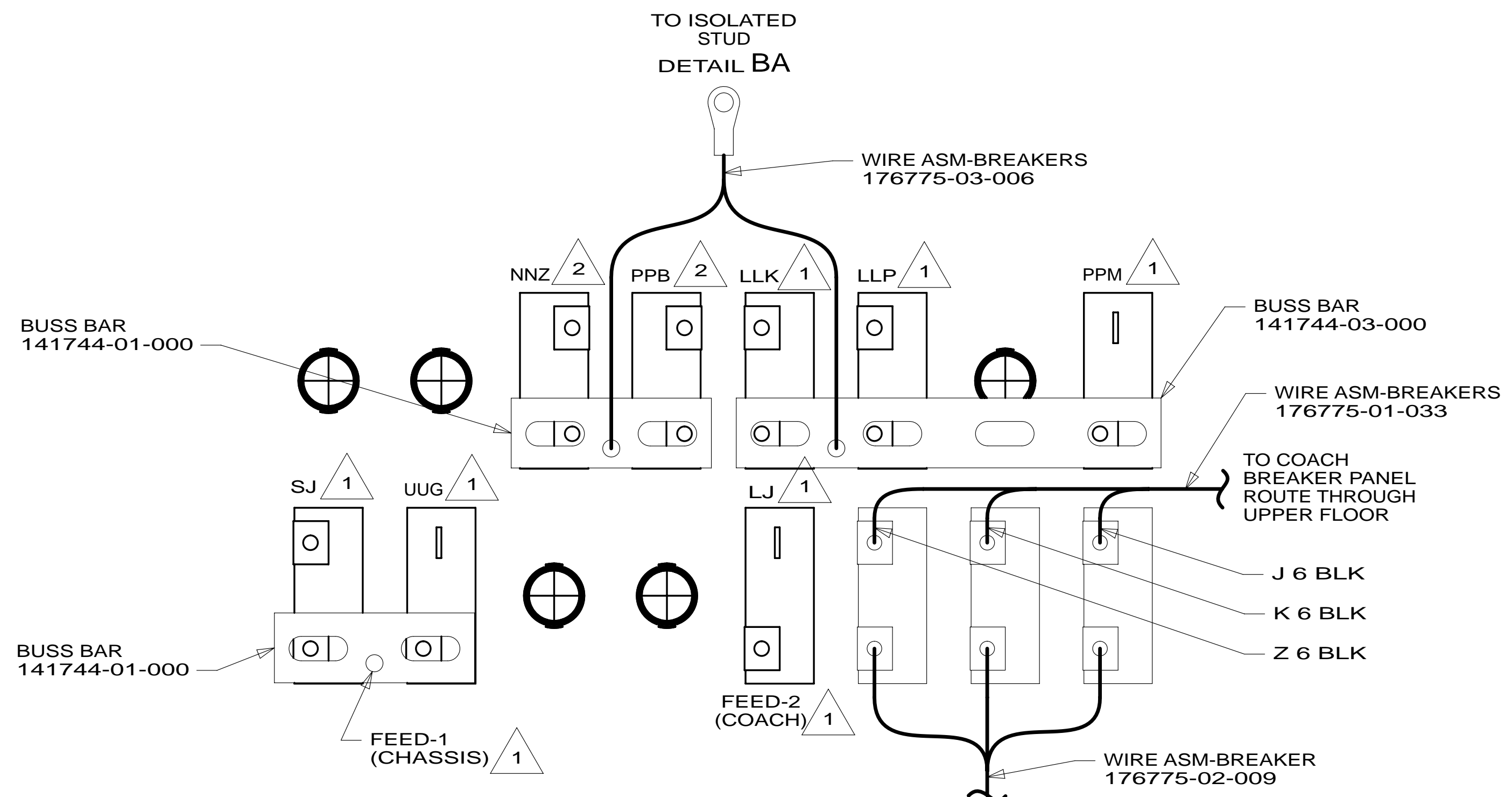


DETAIL CA

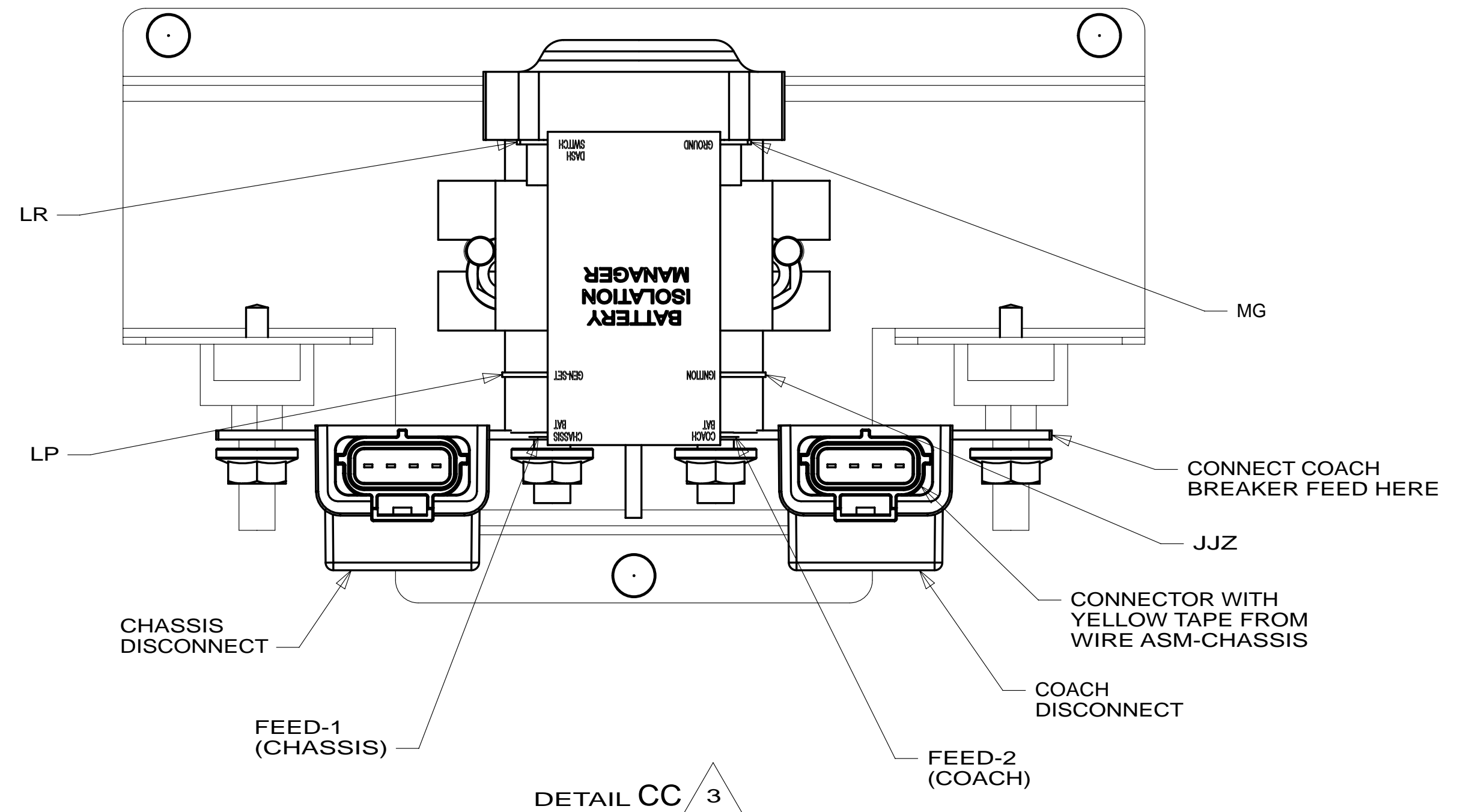


VIEW CB

DETAIL BA



DETAIL CA (BACK VIEW-COMPONENTS)



DETAIL CC 3

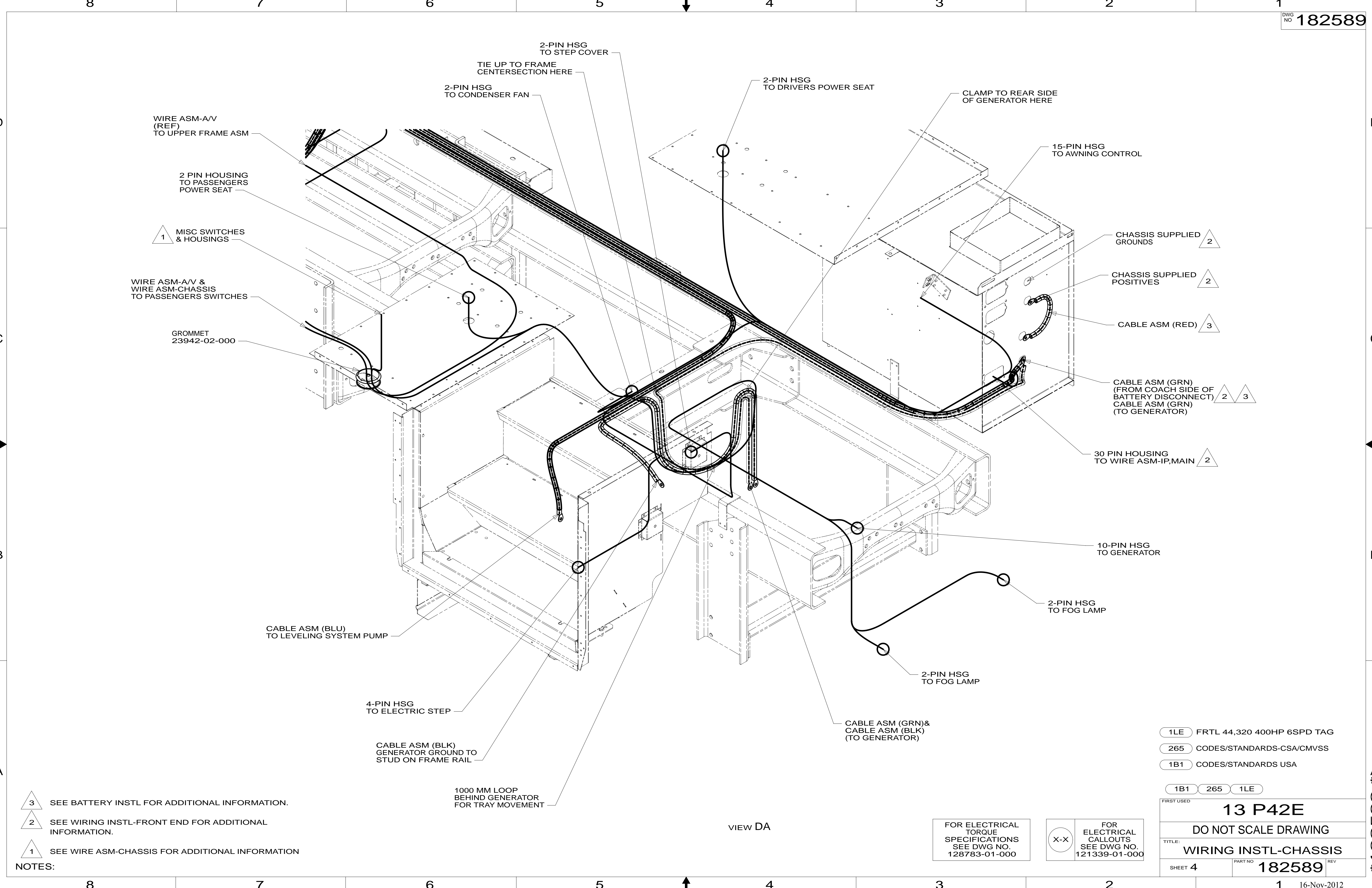
- NOTES:
- 4 REPLACE EXISTING SCREW TO PROPERLY ATTACH BREAKER TO BUSS BAR.
  - 3 SEE BATTERY INSTL FOR ADDITIONAL INFORMATION.
  - 2 FROM WIRE ASM-SLIDEOUT POWER.
  - 1 CIRCUITS BRANCH FROM WIRE ASM-CHASSIS.

- 1LE FRTL 44,320 400HP 6SPD TAG
- 265 CODES/STANDARDS-CSA/CMVSS
- 1B1 CODES/STANDARDS USA

1B1	265	1LE
FIRST USED		
<b>13 P42E</b>		
DO NOT SCALE DRAWING		
TITLE: <b>WIRING INSTL-CHASSIS</b>		
SHEET 3	PART NO <b>182589</b>	REV

FOR ELECTRICAL TORQUE SPECIFICATIONS SEE DWG NO. 128783-01-000

FOR ELECTRICAL CALLOUTS SEE DWG NO. 121339-01-000



- NOTES:
- 3 SEE BATTERY INSTL FOR ADDITIONAL INFORMATION.
  - 2 SEE WIRING INSTL-FRONT END FOR ADDITIONAL INFORMATION.
  - 1 SEE WIRE ASM-CHASSIS FOR ADDITIONAL INFORMATION

VIEW DA

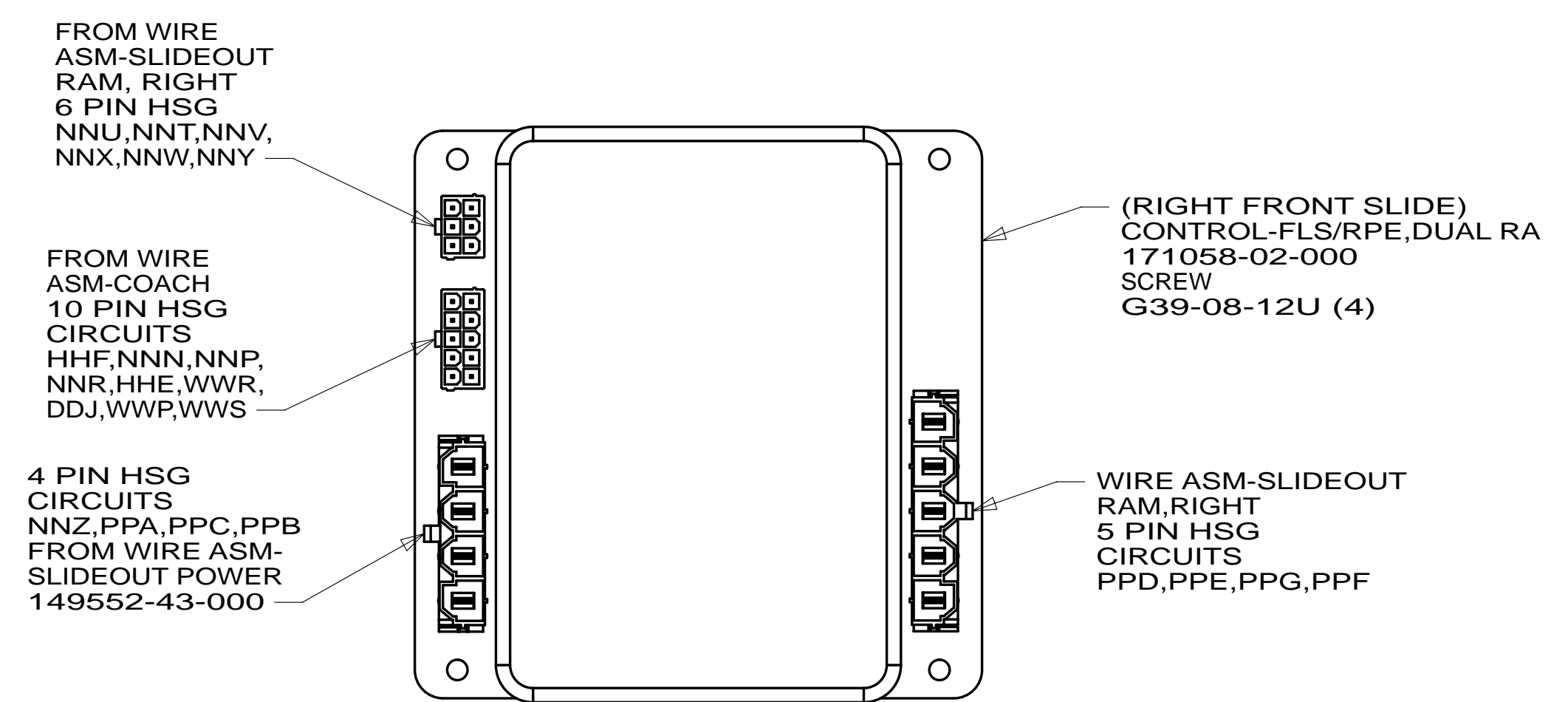
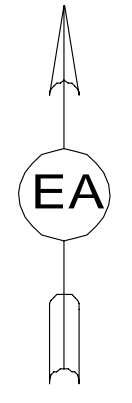
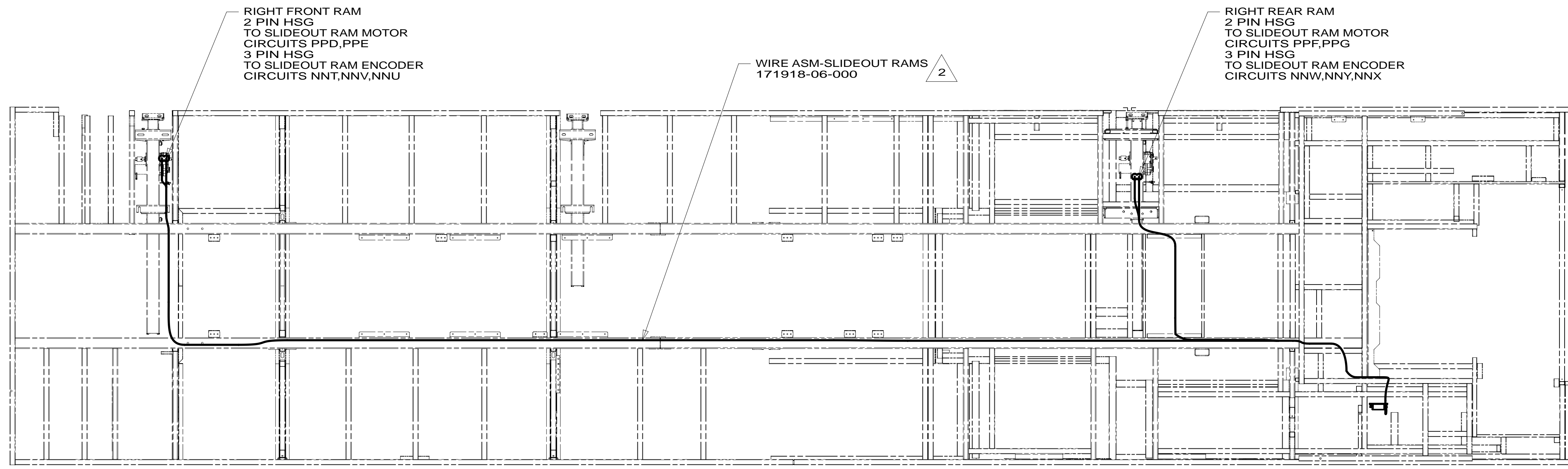
FOR ELECTRICAL TORQUE SPECIFICATIONS SEE DWG NO. 128783-01-000

FOR ELECTRICAL CALLOUTS SEE DWG NO. 121339-01-000

- 1LE FRTL 44,320 400HP 6SPD TAG
- 265 CODES/STANDARDS-CSA/CMVSS
- 1B1 CODES/STANDARDS USA

1B1	265	1LE
FIRST USED		
<b>13 P42E</b>		
DO NOT SCALE DRAWING		
TITLE: <b>WIRING INSTL-CHASSIS</b>		
SHEET 4	PART NO <b>182589</b>	REV

\* 182589 \*



VIEW EA

- 2 WIRES ROUTED ALONG FRAME RAIL.
1. ALL WIRES TO BE CLAMPED WITH 10495-01-000 OR WIRE TIE 8343-02-000 EVERY 600MM, UNLESS OTHERWISE SPECIFIED.

- 1LE FRTL 44,320 400HP 6SPD TAG
- 265 CODES/STANDARDS-CSA/CMVSS
- 1B1 CODES/STANDARDS USA

FIRST USED	
<b>13 P42E</b>	
DO NOT SCALE DRAWING	
TITLE: <b>WIRING INSTL-CHASSIS</b>	
SHEET 5	PART NO <b>182589</b> REV

FOR ELECTRICAL TORQUE SPECIFICATIONS SEE DWG NO. 128783-01-000

FOR ELECTRICAL CALLOUTS SEE DWG NO. 121339-01-000

\* 182589 \*