



DANGER

Danger of electrical shock, burns or death. Always remove all power sources before attempting any repair, service or diagnostic work. Power can be present from shore power, generator, inverter or battery. All power sources must be disabled and secured before performing any service.

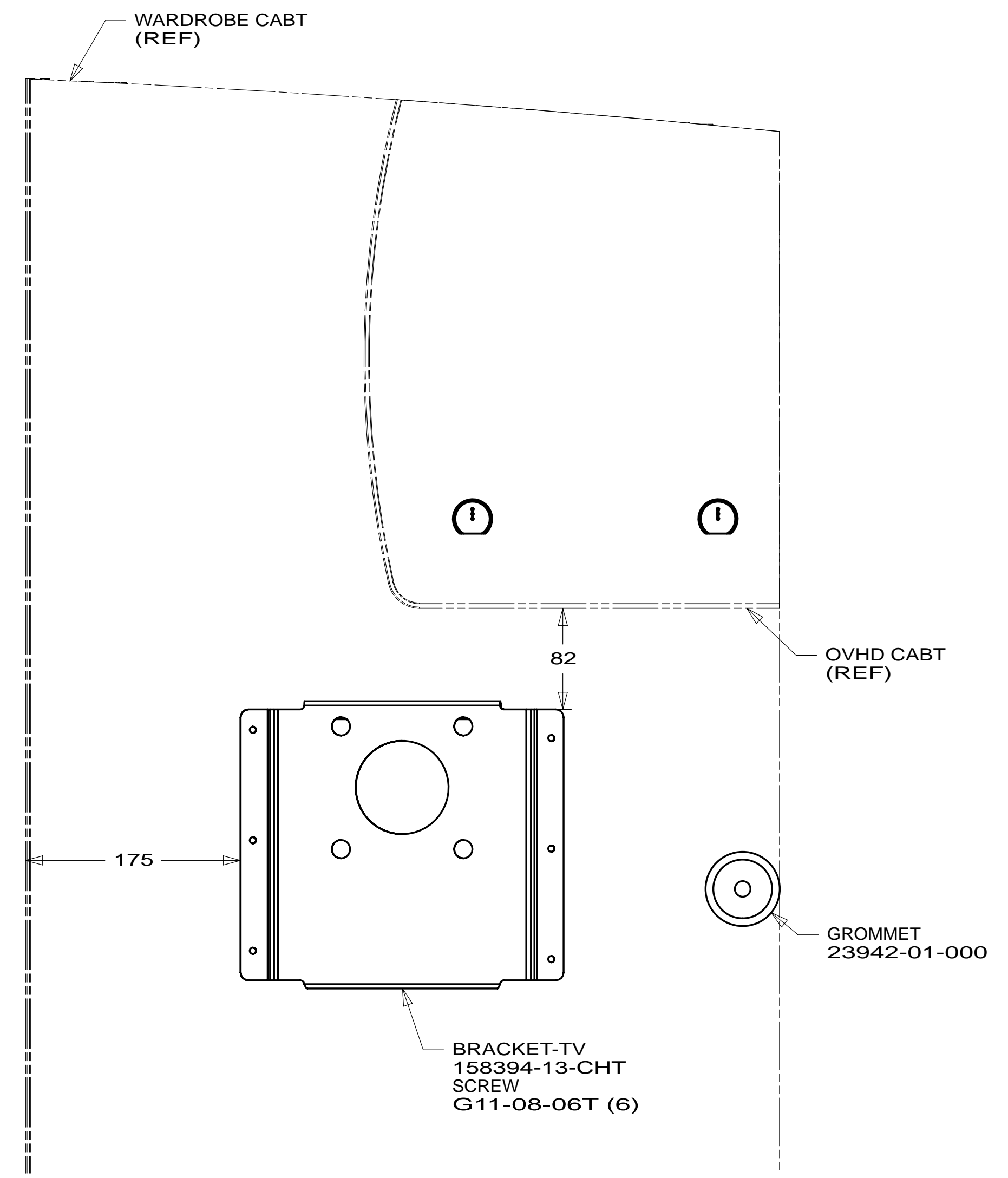
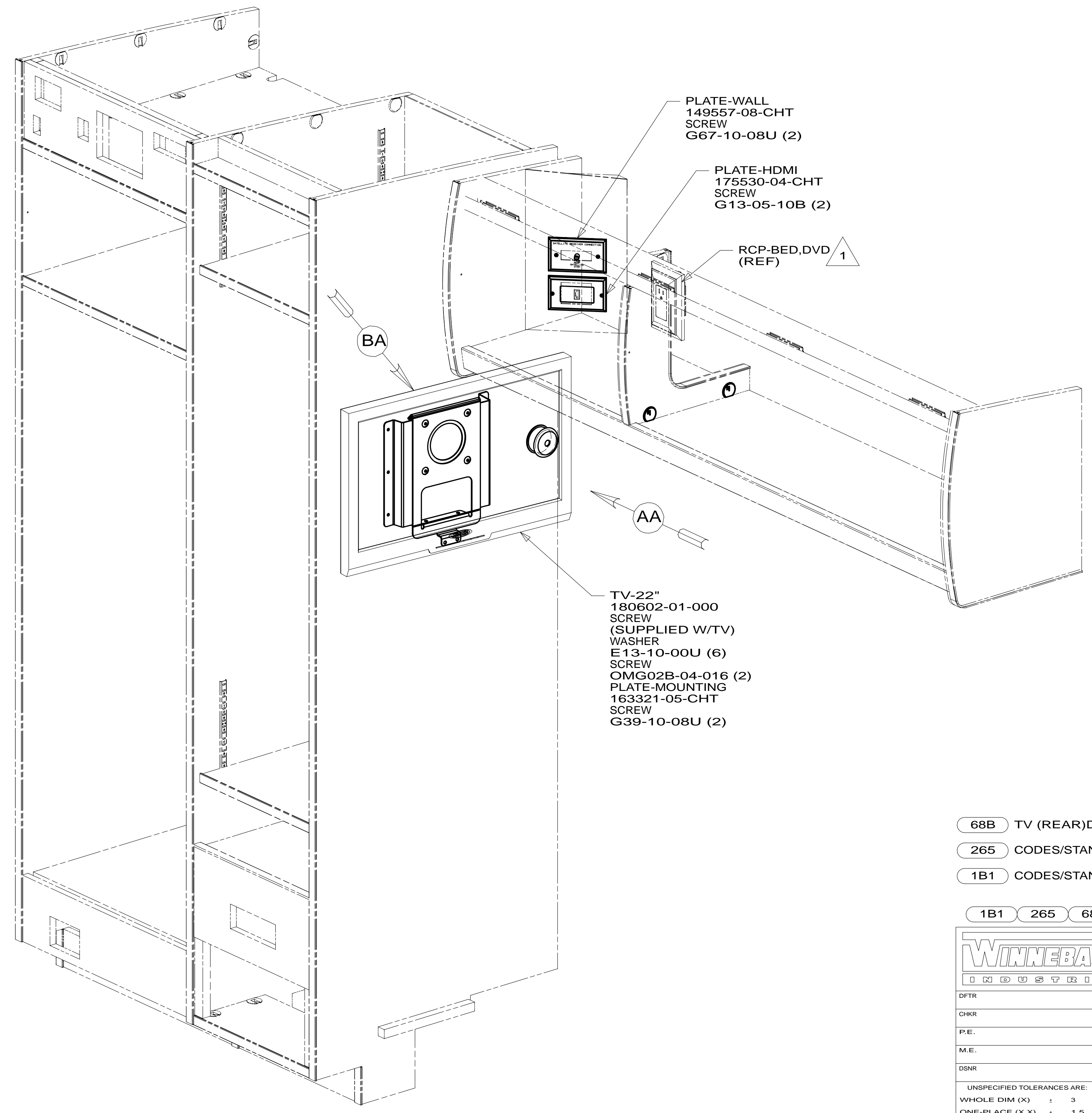


CAUTION

If you lack the skills, tools or equipment to perform diagnostic or repair work leave such work to an authorized Winnebago Industries dealer or other qualified shop.

DRAWING NO.	UNIT	SHEETS
182139-01	H25T	1,2,3,4
182139-02	H25R	5,6
182139-03	H25Q	7,8,9,10

RELEASE	REV/DATE	DWG NO	182139
REV ZONE	REVISION RECORD	DATE	DTR-ORIG



VIEW AA

- 68B TV (REAR)DC 22" LCD W/REMOTE
- 265 CODES/STANDARDS-CSA/CMVSS
- 1B1 CODES/STANDARDS USA

- 1B1 265 68B



DTR	ORIG. DATE
CHKR	ALL DIMENSIONS ARE IN MILLIMETERS
P.E.	
M.E.	FIRST USED
DSNR	13 H-SERIES
UNSPECIFIED TOLERANCES ARE:	
WHOLE DIM (X)	: 3 X
ONE-PLACE (X.X)	: 1.5 X
TWO-PLACE (X.XX)	: 0.50 X
ANGLE	: 1° X
THIRD ANGLE PROJECTION	X

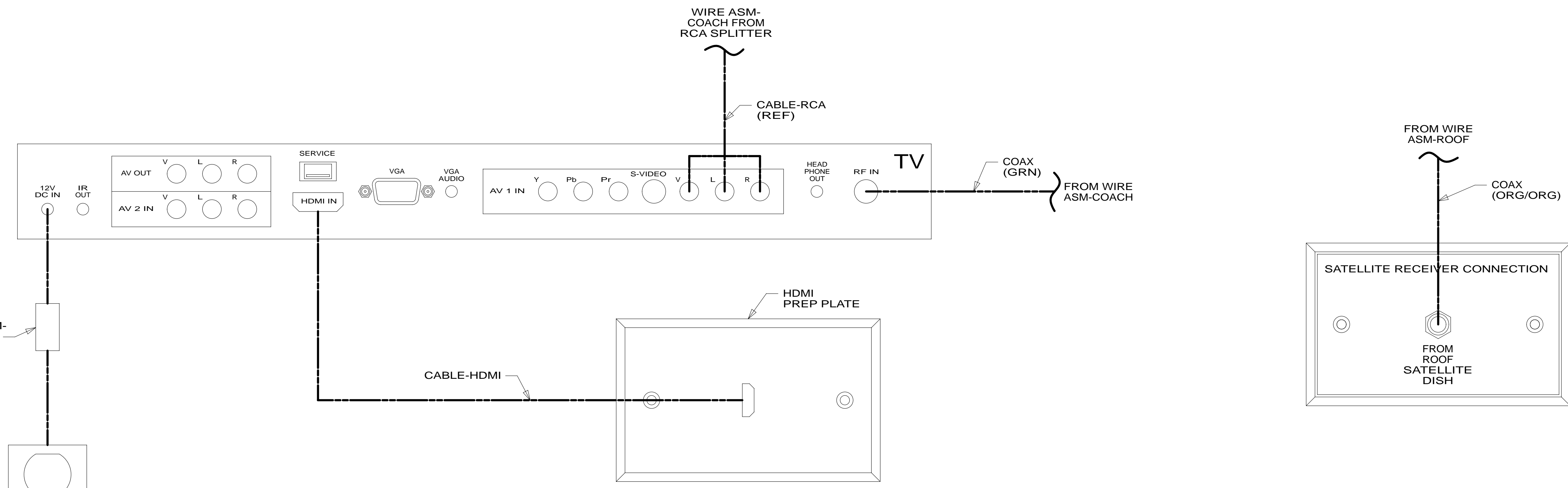
FOR ELECTRICAL TORQUE SPECIFICATIONS SEE DWG NO. 128783-01-000

FOR ELECTRICAL SPECIFICATIONS SEE DWG NO. 121339-01-000

NOTES:
 1 SEE WIRING INSTL-BODY,110V FOR ADDITIONAL INFORMATION.

DO NOT SCALE DRAWING		REFER TO ES0018 FOR FASTENER TIGHTENING GUIDELINES	
TITLE: WIRING INSTL-TV/DVD			
SHEET 1 OF 10	PART NO	182139	REV
REF:	1	19-Feb-2013	

* 182139 *



DETAIL BA

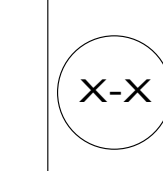
- 68B TV (REAR)DC 22" LCD W/REMOTE
- 265 CODES/STANDARDS-CSA/CMVSS
- 1B1 CODES/STANDARDS USA

1B1 265 68B

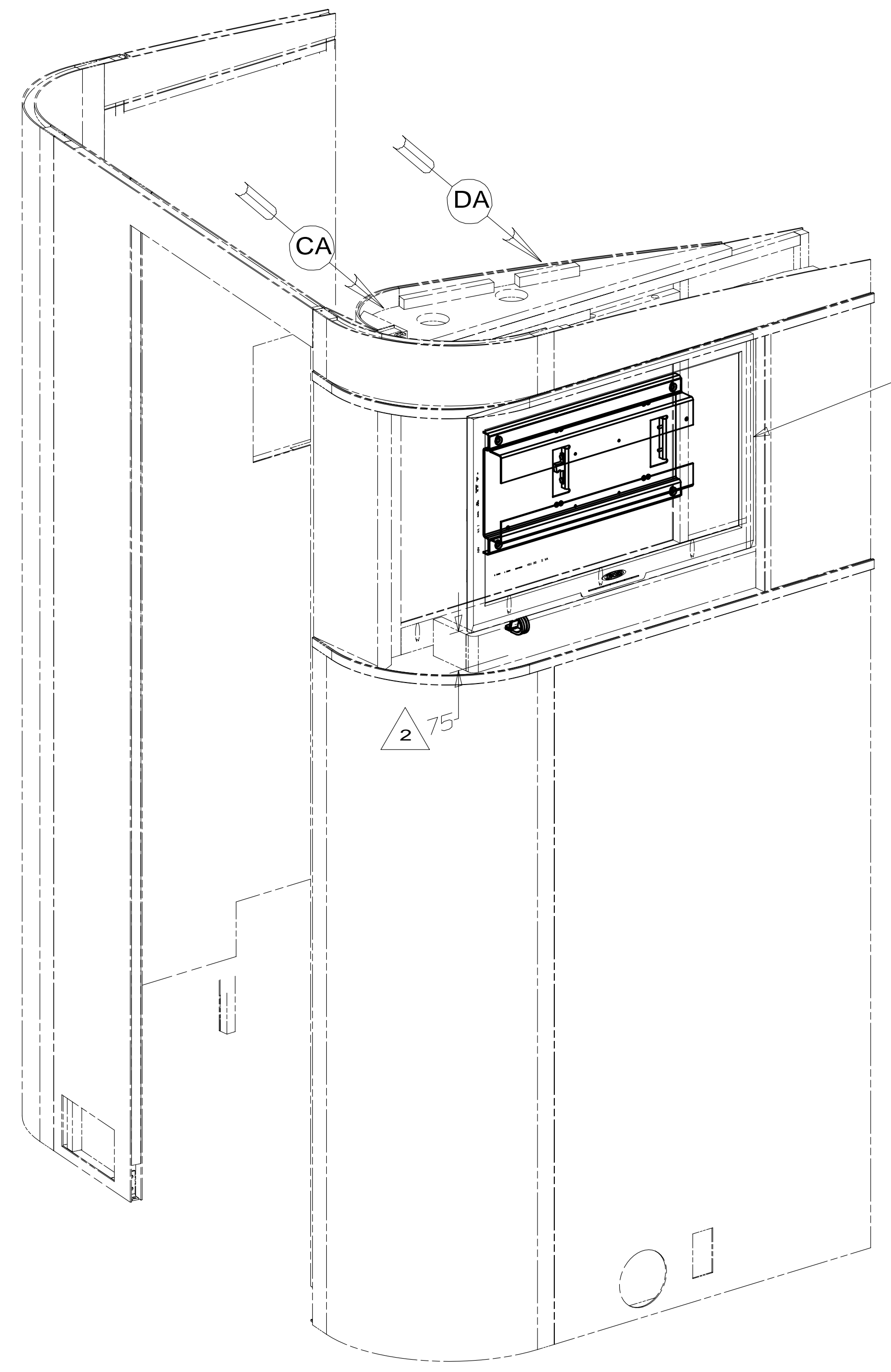
FIRST USED	
13 H-SERIES	
DO NOT SCALE DRAWING	
TITLE: WIRING INSTL-TV/DVD	
SHEET 2	PART NO 182139 REV

FOR ELECTRICAL TORQUE SPECIFICATIONS SEE DWG NO. 128783-01-000

FOR ELECTRICAL CALLOUTS SEE DWG NO. 121339-01-000



* 182139 * A



TV-26",FLAT PANEL LED, HDTV
 179870-01-000
 BRACKET ASM-TV
 177831-01-XXX
 BRACKET-TV
 179661-04-CHT
 (LOWER)
 179661-05-CHT
 (UPPER)
 SCREW
 OMG02B-04-012 (4)
 NUT
 D39-04-00B (4)
 WIRE ASM-POWER,12V
 170909-02-000

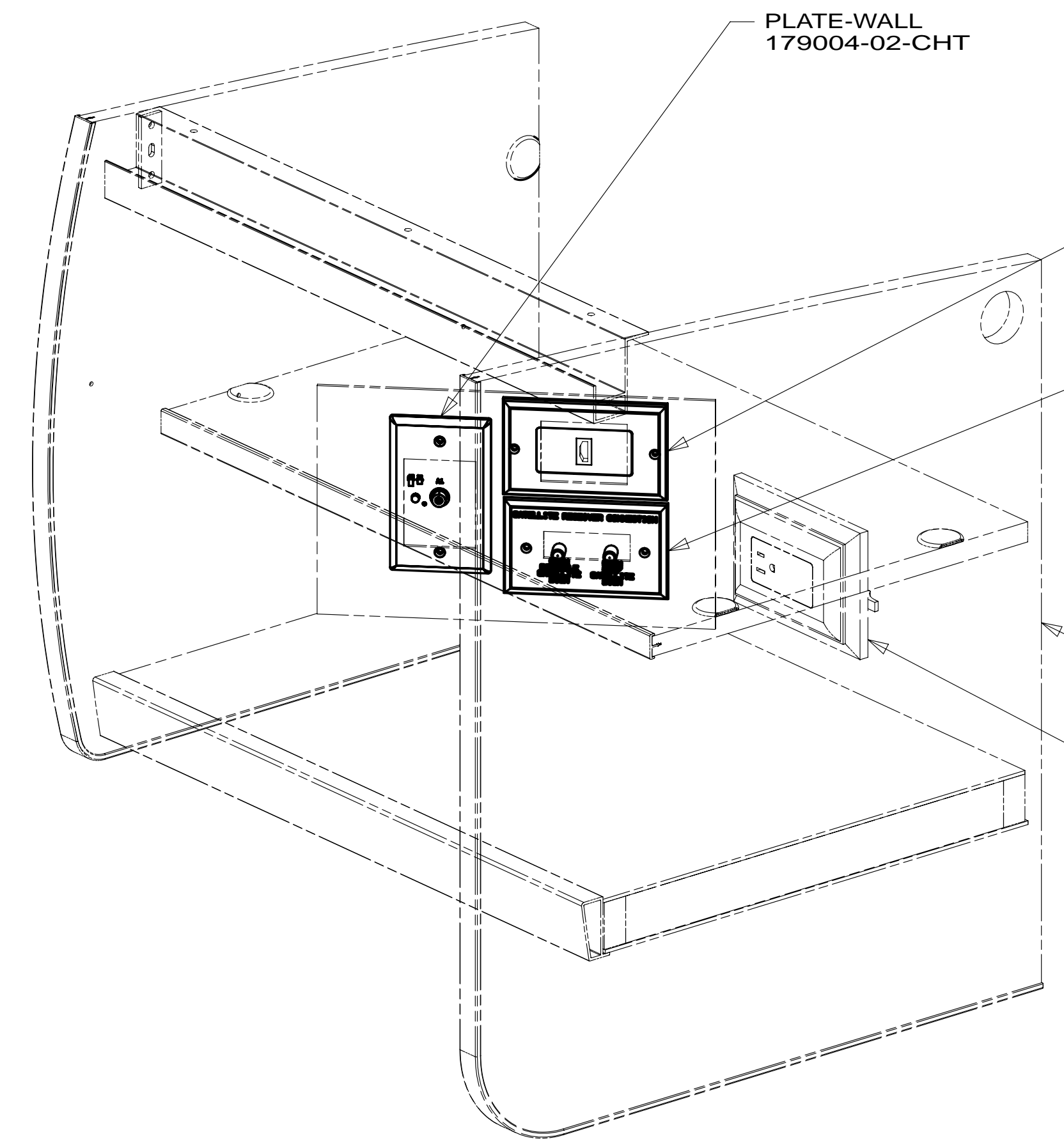


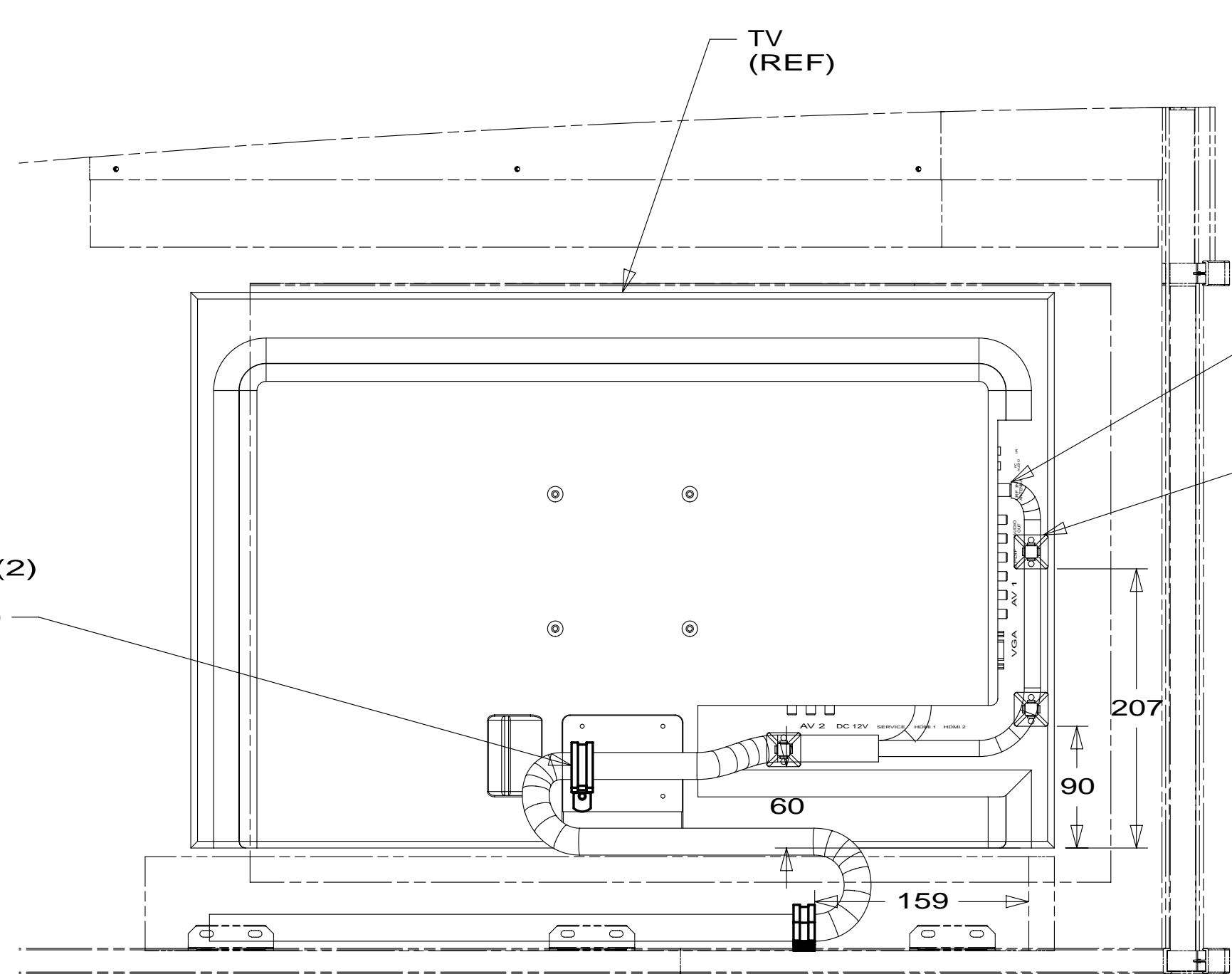
PLATE-WALL
 179004-02-CHT

PLATE-HDMI
 175530-04-CHT
 SCREW
 G13-05-10B (2)

PLATE-WALL
 149557-09-CHT
 SCREW
 G67-10-08U (2)

GALLEY OVHD CABT
 (REF)

RCP-SAT PREP
 (REF) 1



CLAMP
 10497-03-000 (2)
 SCREW
 G11-08-12U (2)

CONNECTOR-COAX 90 DEGREE
 176986-01-000

TIE-WIRE MOUNT ADHESIVE 1"
 15366-01-000 (3)
 TIE-WIRE
 8343-02-000 (3)

VIEW CA

- 61A TV-26" COLOR,STEREO W/REMOTE
- 265 CODES/STANDARDS-CSA/CMVSS
- 1B1 CODES/STANDARDS USA

1B1 265 61A

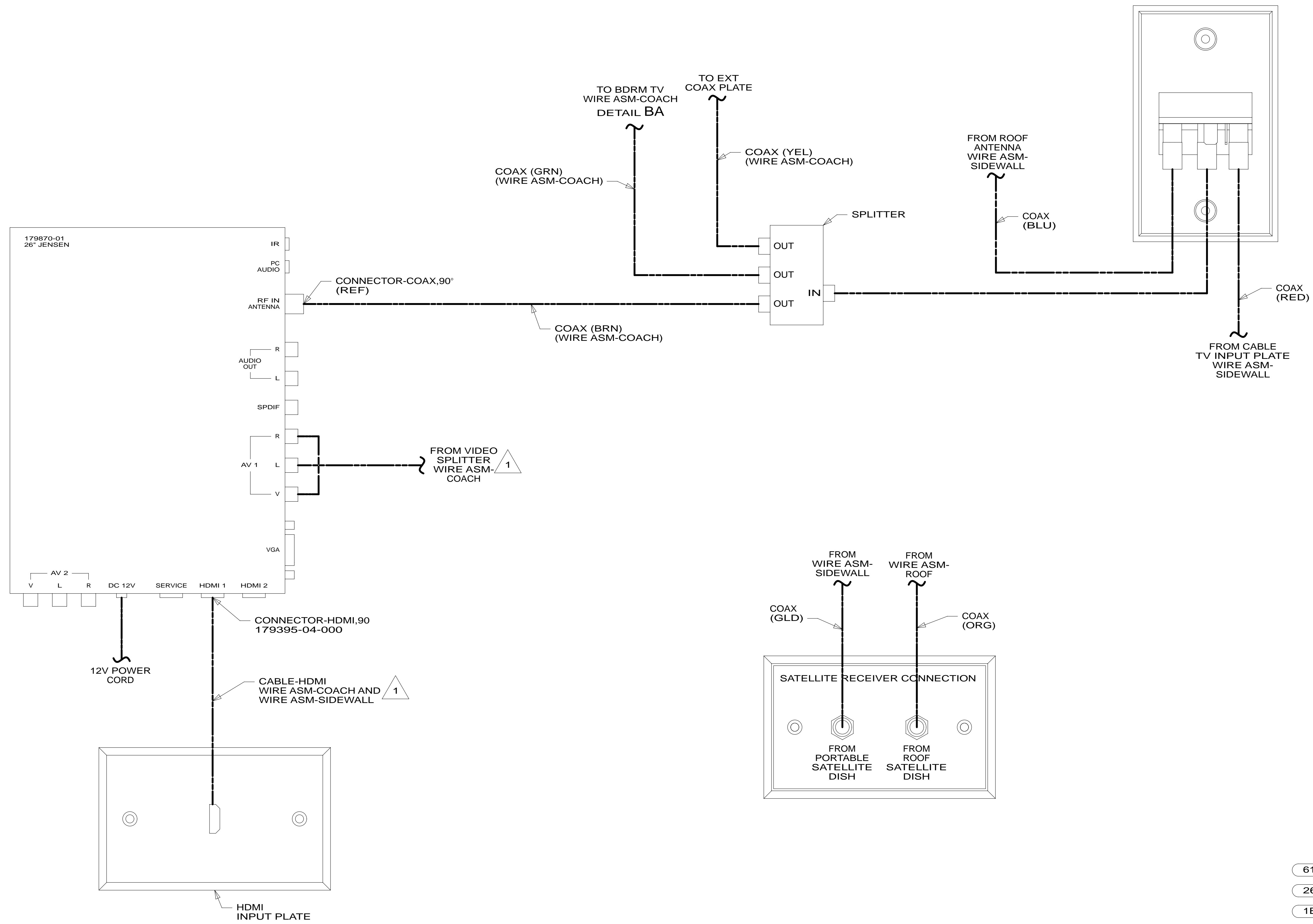
FIRST USED	
13 H-SERIES	
DO NOT SCALE DRAWING	
TITLE: WIRING INSTL-TV/DVD	
SHEET 3	PART NO 182139 REV

FOR ELECTRICAL
 TORQUE
 SPECIFICATIONS
 SEE DWG NO.
 128783-01-000

FOR ELECTRICAL
 CALLOUTS
 SEE DWG NO.
 121339-01-000

- NOTES:
- 3 MOUNT TO THE END OF THE TV.
 - 2 DIMENSION BETWEEN THE SHELF AND THE BOTTOM OF THE TV.
 - 1 SEE WIRING INSTL-BODY,110V FOR ADDITIONAL INFORMATION.

* 182139 * A



1 SEE WIRING INSTL-BODY, 12V FOR ADDITIONAL INFORMATION.

DETAIL DA

FOR ELECTRICAL TORQUE SPECIFICATIONS SEE DWG NO. 128783-01-000

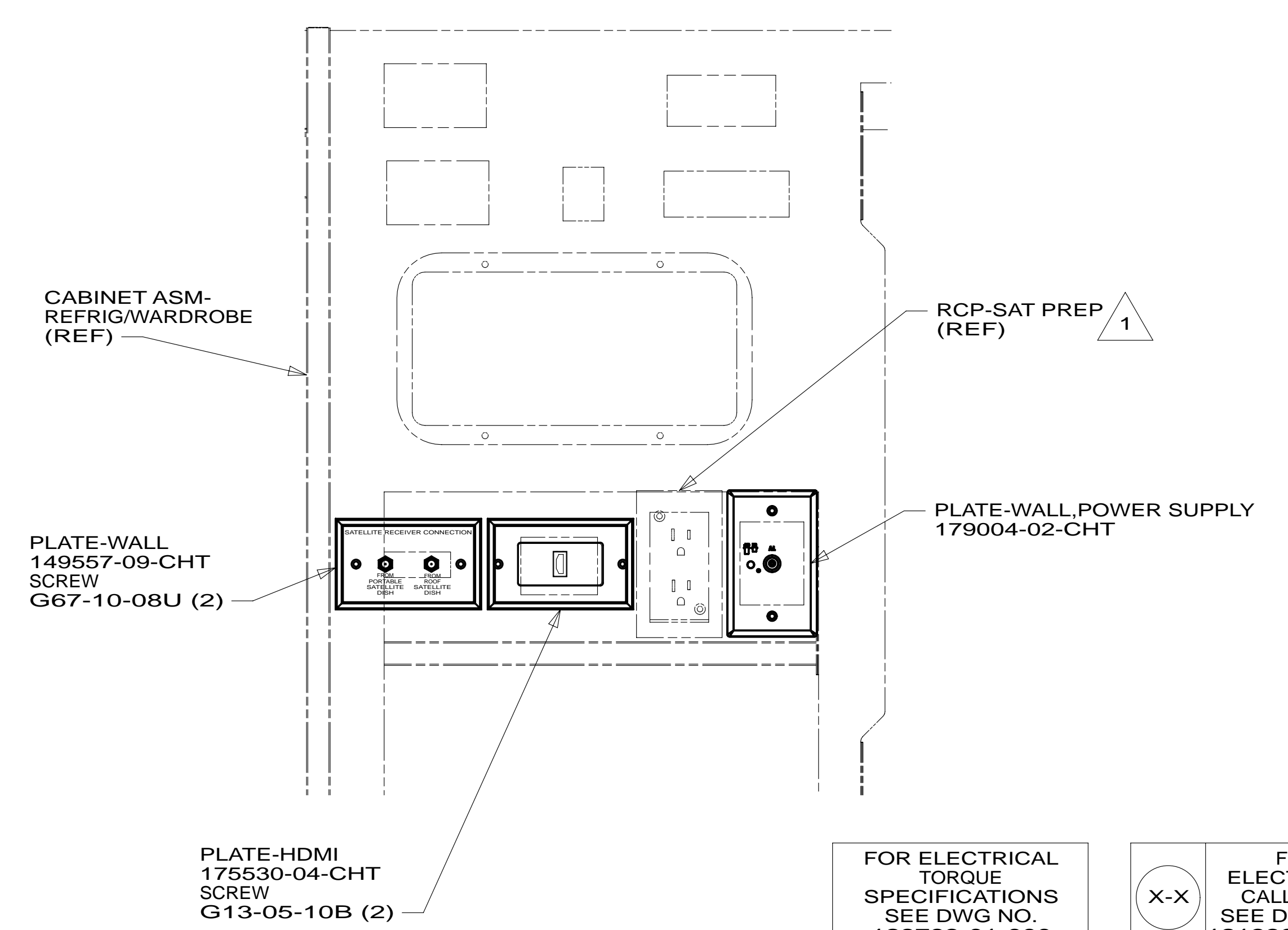
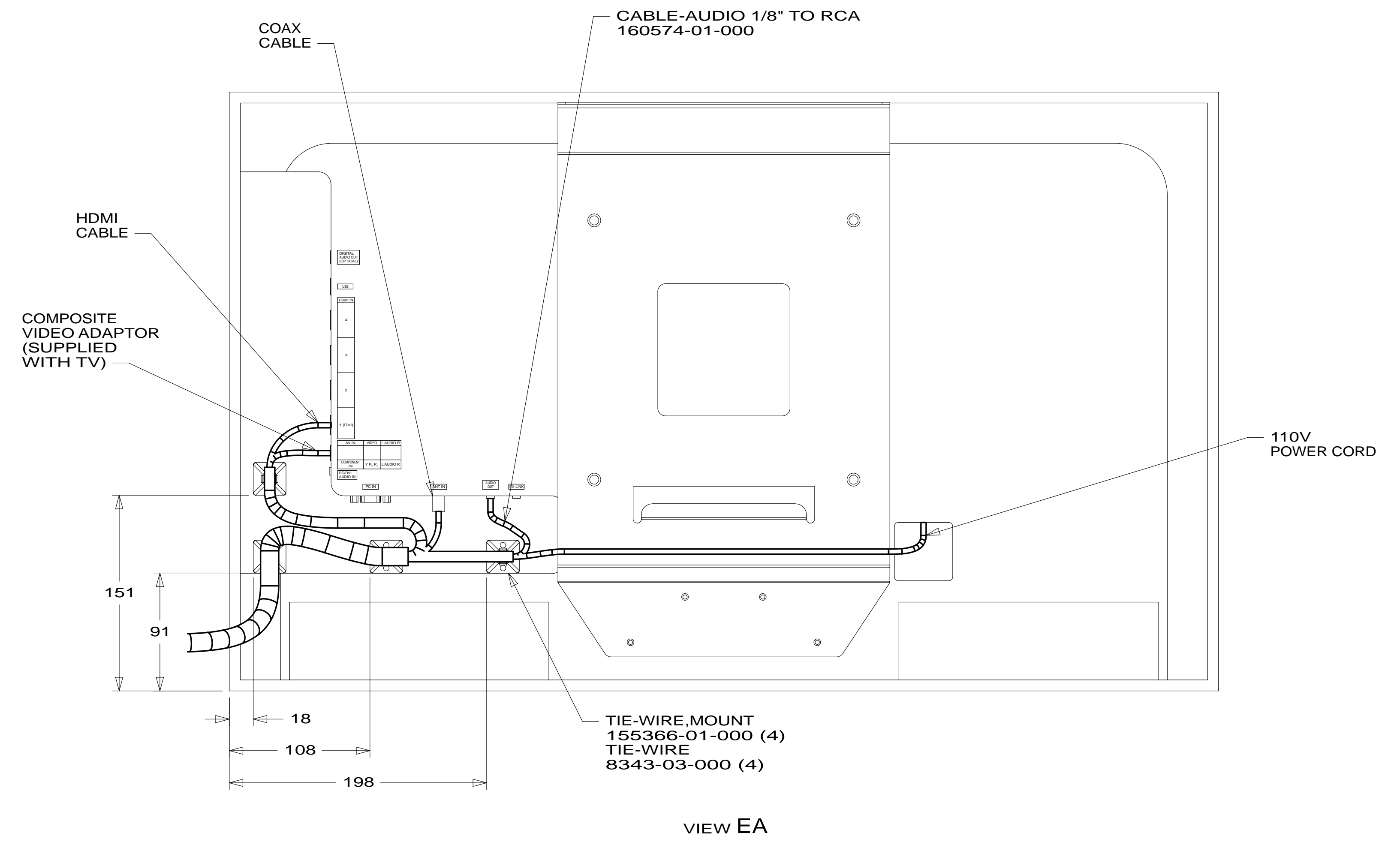
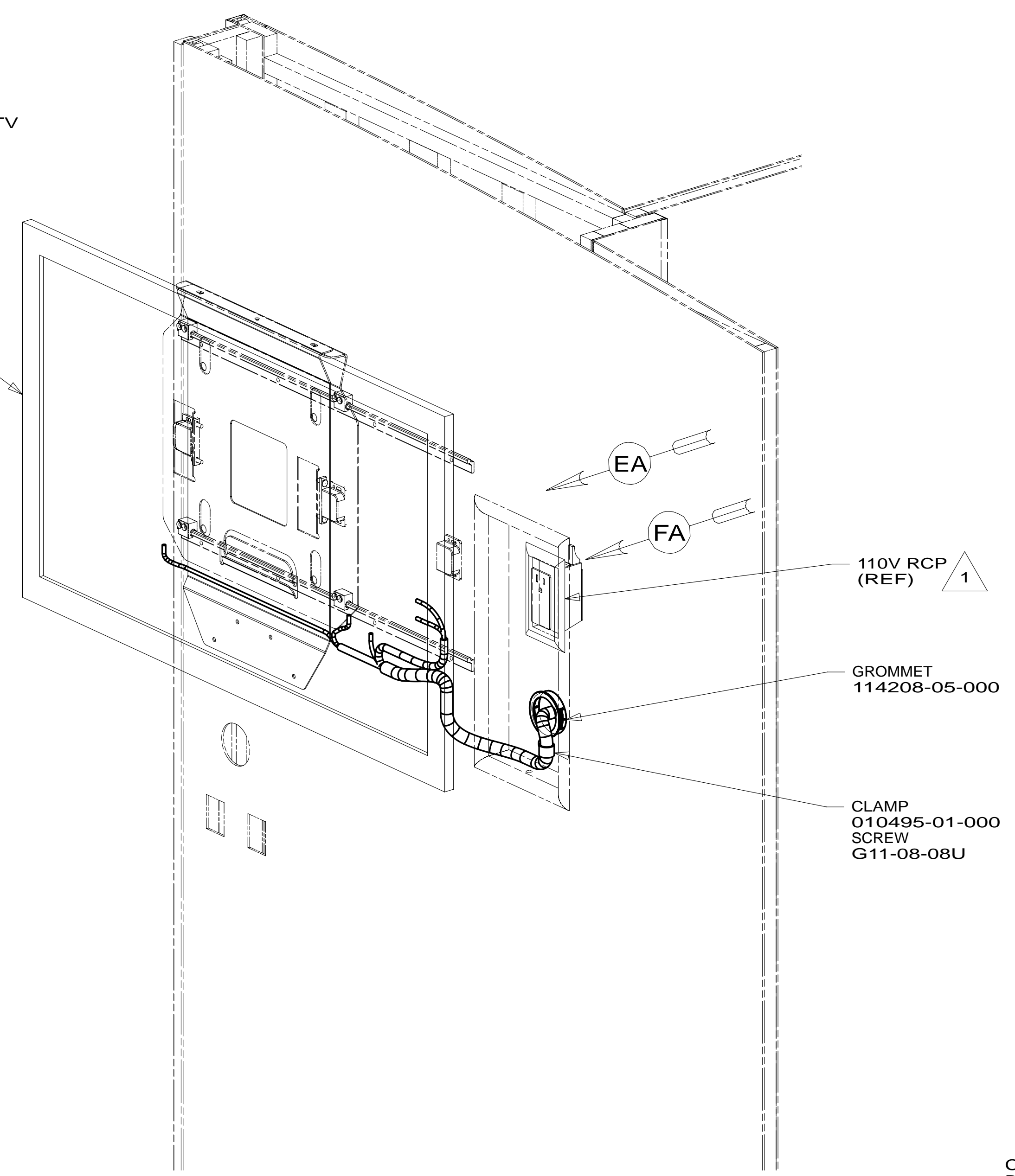
FOR ELECTRICAL CALLOUTS SEE DWG NO. 121339-01-000

- 61A TV-26" COLOR, STEREO W/REMOTE
- 265 CODES/STANDARDS-CSA/CMVSS
- 1B1 CODES/STANDARDS USA

1B1	265	61A
FIRST USED		
13 H-SERIES		
DO NOT SCALE DRAWING		
TITLE: WIRING INSTL-TV/DVD		
SHEET 4	PART NO 182139	REV
19-Feb-2013		

* 182139 *

TV-32", FLAT PANEL LCD, HDTV
 179655-01-000
 BRACKET-MOUNT,TV
 181076-01-CHT
 SPACERS (4)
 (SUPPLIED WITH TV)
 SCREW
 OMC31K-08-020 (4)
 SCREW (4)
 (SUPPLIED WITH TV)
 SCREW
 G11-10-10U (3)



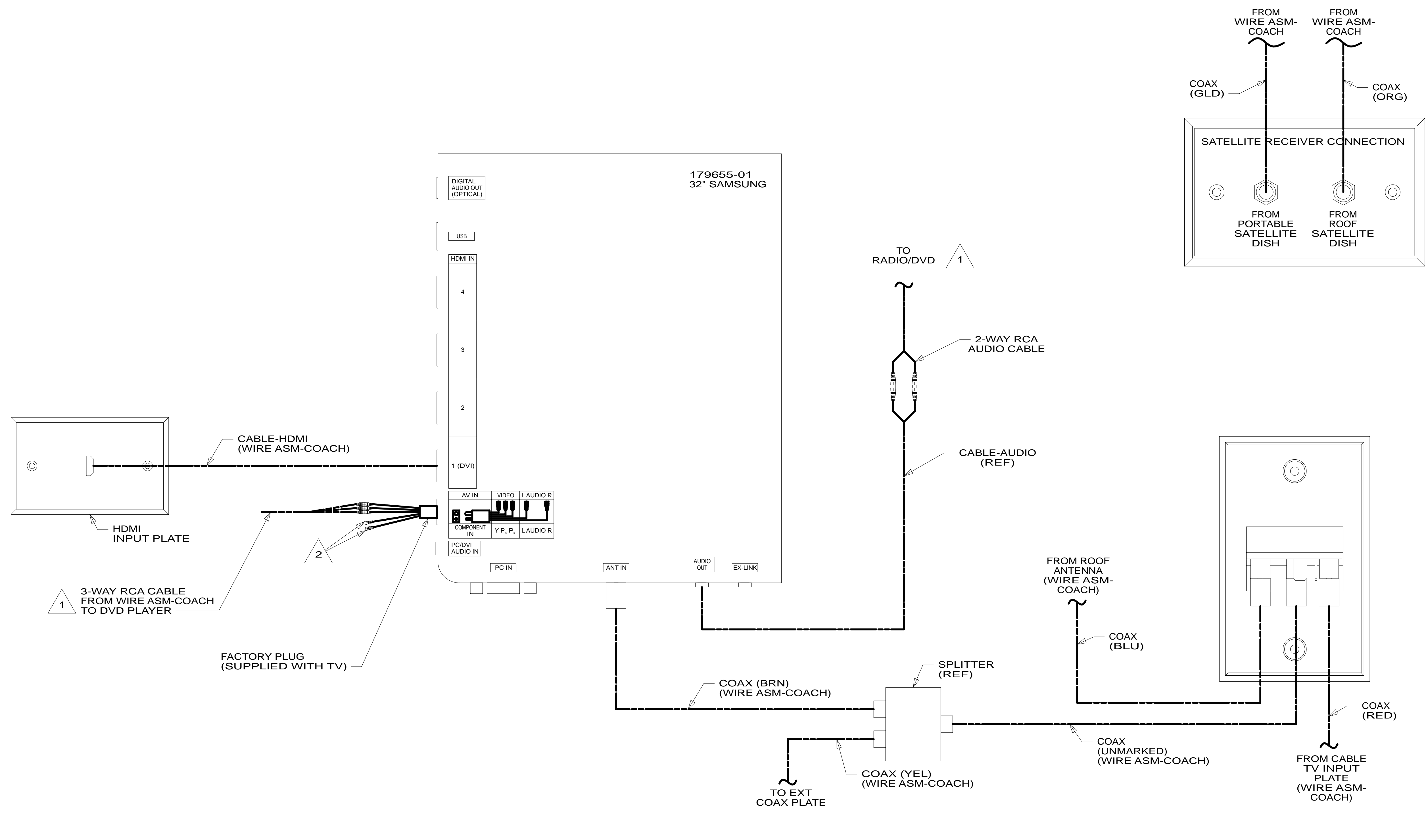
1 SEE WIRING INSTL-BODY,110V FOR ADDITIONAL INFORMATION.

FOR ELECTRICAL
TORQUE
SPECIFICATIONS
SEE DWG NO.
128783-01-000

X-X
FOR
ELECTRICAL
CALLOUTS
SEE DWG NO.
121339-01-000

265 CODES/STANDARDS-CSA/CMVSS
 1B1 CODES/STANDARDS USA
 1B1 265

FIRST USED	
13 H-SERIES	
DO NOT SCALE DRAWING	
TITLE: WIRING INSTL-TV/DVD	
SHEET 5	PART NO 182139 REV



DETAIL FA

- NOTES:
- 2 TAPE UNUSED YELLOW CIRCUIT BACK TO CABLE ASM.
 - 1 SEE WIRING INSTL-BODY, 12V FOR ADDITIONAL INFORMATION.

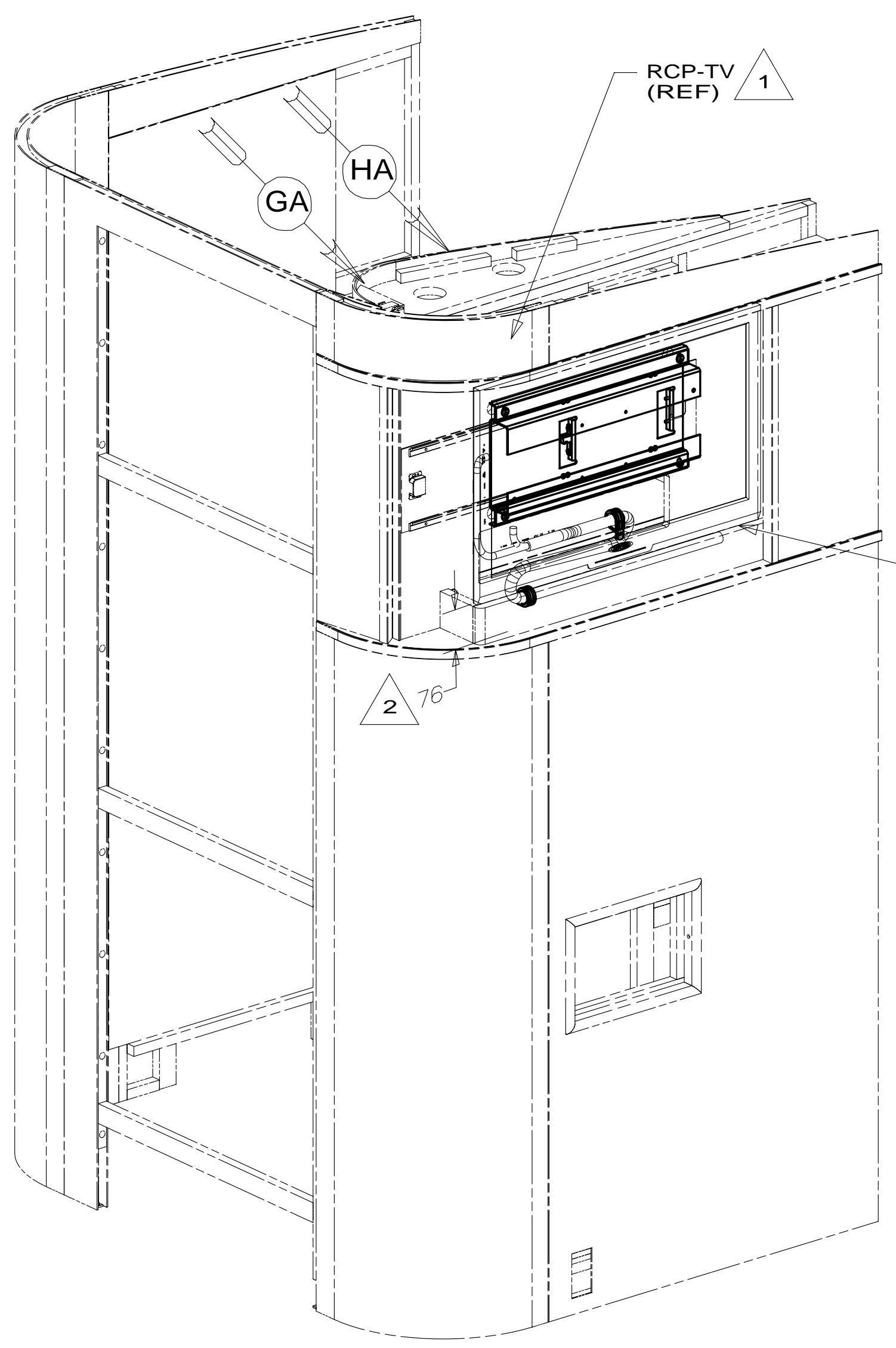
FOR ELECTRICAL TORQUE SPECIFICATIONS SEE DWG NO. 128783-01-000

FOR ELECTRICAL CALLOUTS SEE DWG NO. 121339-01-000

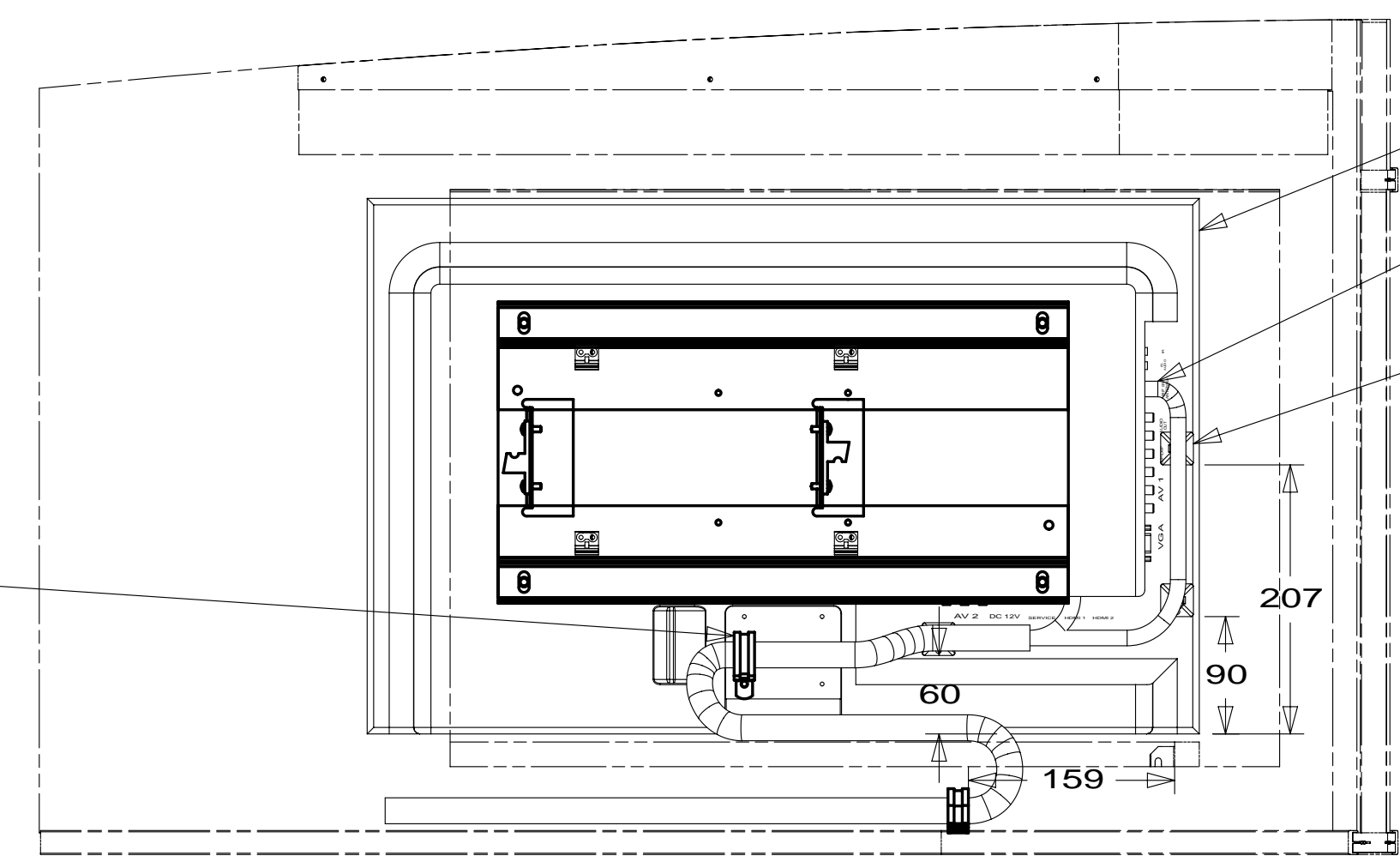
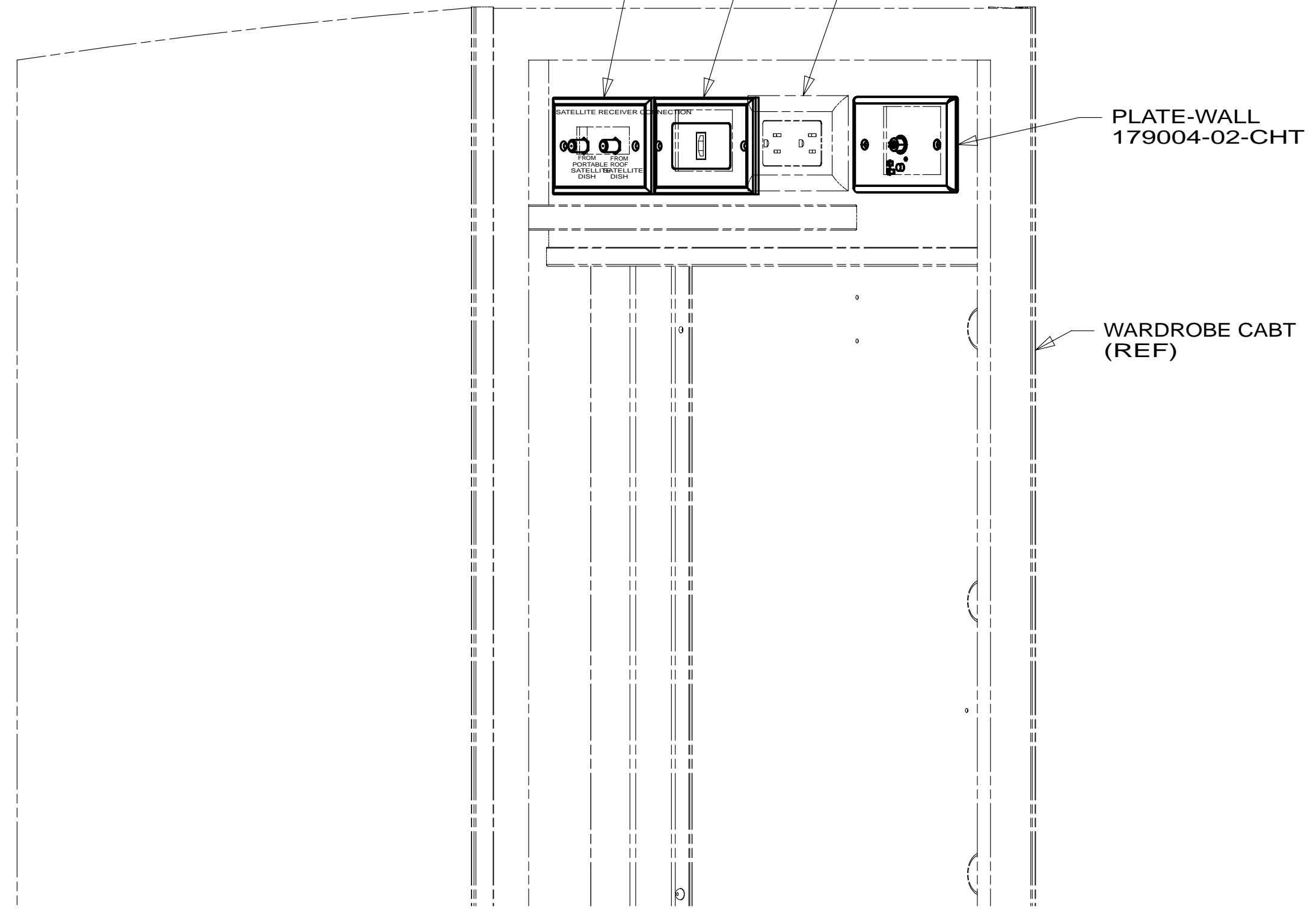
- 265 CODES/STANDARDS-CSA/CMVSS
- 1B1 CODES/STANDARDS USA

1B1	265
FIRST USED	
13 H-SERIES	
DO NOT SCALE DRAWING	
TITLE: WIRING INSTL-TV/DVD	
SHEET 6	PART NO 182139 REV

* 182139 *



TV-26",FLAT PANEL LED, HDTV
 179870-01-000
 BRACKET ASM-TV
 177831-01-XXX
 BRACKET-TV
 179661-04-CHT
 (LOWER)
 179661-05-CHT
 (UPPER)
 SCREW
 0MG02B-04-012 (4)
 NUT
 D39-04-00B (4)
 WIRE ASM-POWER,12V
 170909-02-000



VIEW GA

- NOTES:
- 3 MOUNT TO THE END OF THE TV.
 - 2 DIMENSION BETWEEN THE SHELF AND THE BOTTOM OF THE TV.
 - 1 SEE WIRING INSTL-BODY,110V FOR ADDITIONAL INFORMATION.

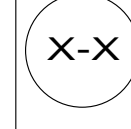
- 61A TV-26" COLOR,STEREO W/REMOTE
- 265 CODES/STANDARDS-CSA/CMVSS
- 1B1 CODES/STANDARDS USA

1B1 265 61A

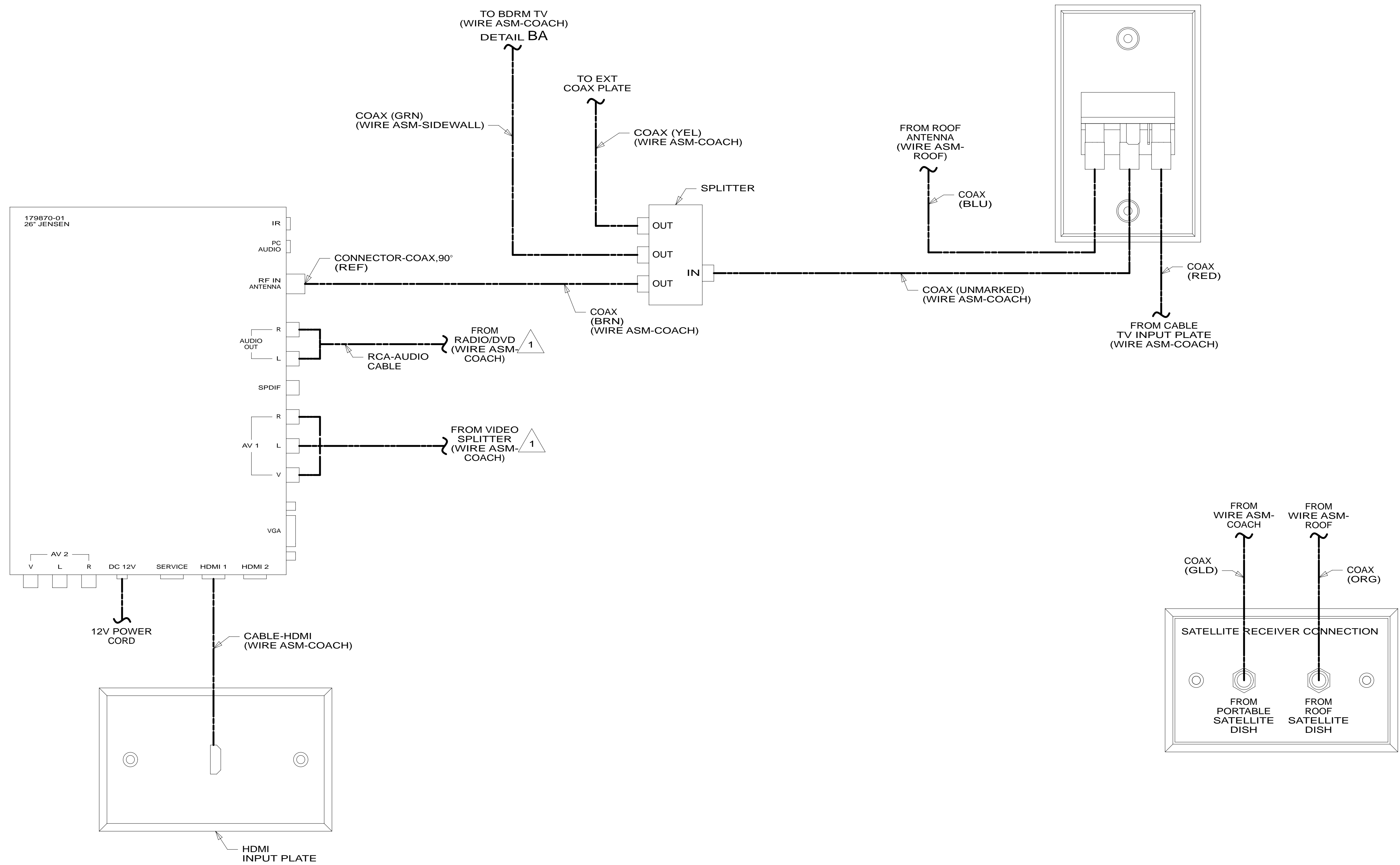
FIRST USED	
13 H-SERIES	
DO NOT SCALE DRAWING	
TITLE: WIRING INSTL-TV/DVD	
SHEET 7	PART NO 182139 REV

FOR ELECTRICAL TORQUE SPECIFICATIONS SEE DWG NO. 128783-01-000

FOR ELECTRICAL CALLOUTS SEE DWG NO. 121339-01-000



* 182139 * A



DETAIL HA

NOTES:
 1 SEE WIRING INSTL-BODY, 12V FOR ADDITIONAL INFORMATION.

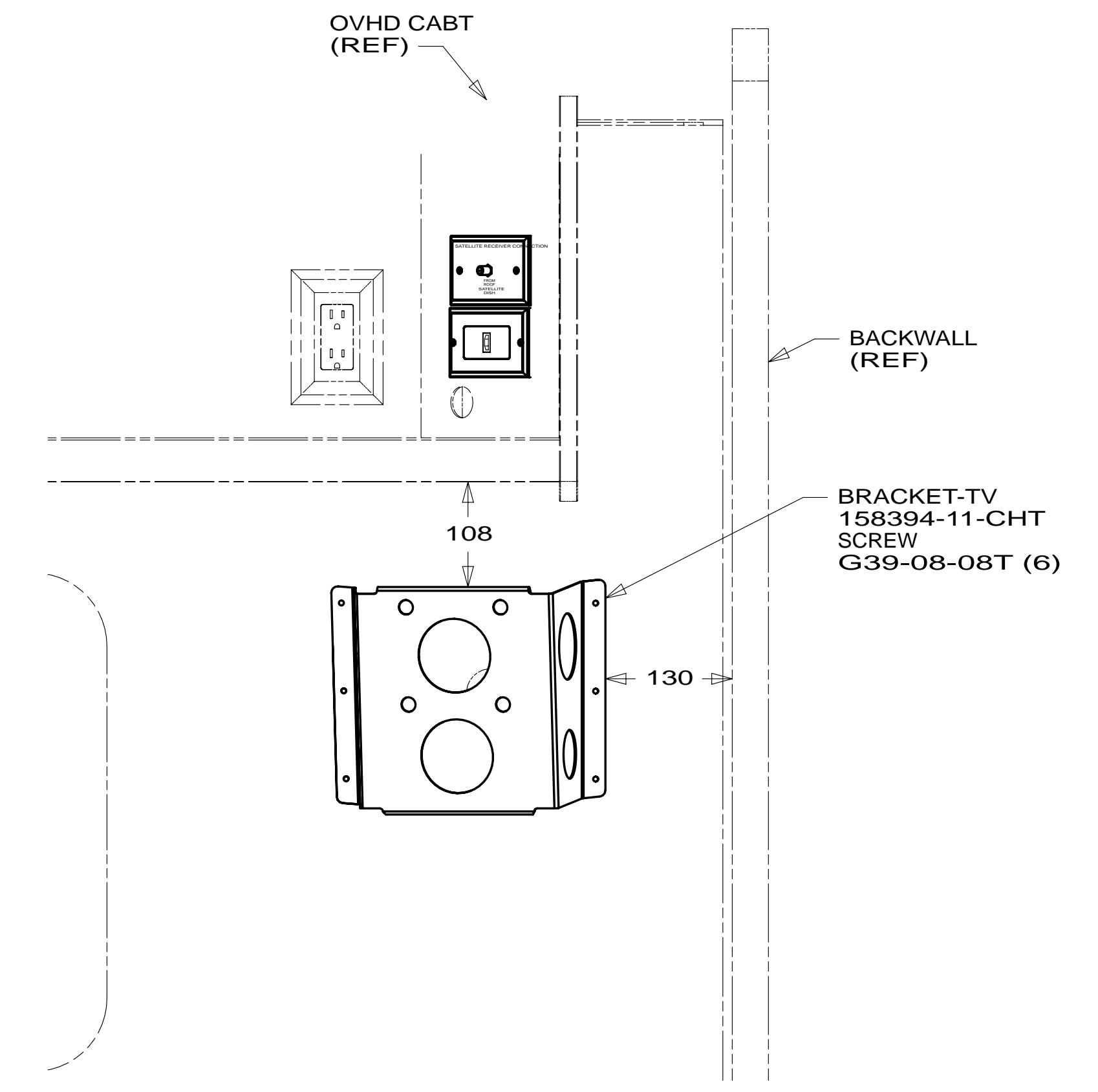
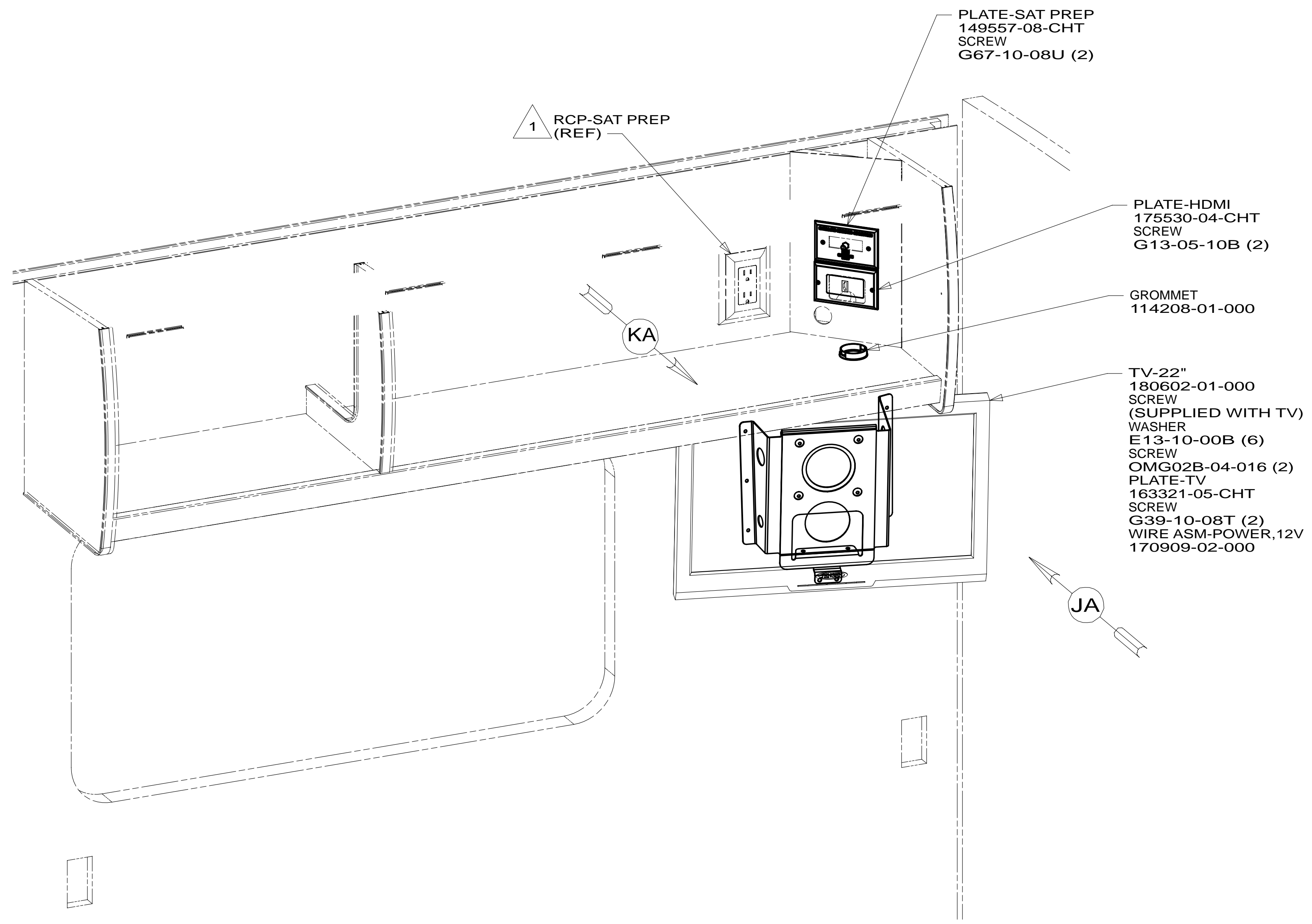
FOR ELECTRICAL TORQUE SPECIFICATIONS SEE DWG NO. 128783-01-000

FOR ELECTRICAL CALLOUTS SEE DWG NO. 121339-01-000

- 61A TV-26" COLOR, STEREO W/REMOTE
- 265 CODES/STANDARDS-CSA/CMVSS
- 1B1 CODES/STANDARDS USA

1B1	265	61A
FIRST USED		
13 H-SERIES		
DO NOT SCALE DRAWING		
TITLE: WIRING INSTL-TV/DVD		
SHEET 8	PART NO 182139	REV
19-Feb-2013		

* 182139 *



VIEW JA
(TV NOT SHOWN)

- PLATE-SAT PREP
149557-08-CHT
SCREW
G67-10-08U (2)
- RCP-SAT PREP
(REF)
- PLATE-HDMI
175530-04-CHT
SCREW
G13-05-10B (2)
- GROMMET
114208-01-000
- TV-22"
180602-01-000
SCREW
(SUPPLIED WITH TV)
WASHER
E13-10-00B (6)
SCREW
OMG02B-04-016 (2)
PLATE-TV
163321-05-CHT
SCREW
G39-10-08T (2)
WIRE ASM-POWER,12V
170909-02-000

- 68B TV (REAR)DC 22" LCD W/REMOTE
- 265 CODES/STANDARDS-CSA/CMVSS
- 1B1 CODES/STANDARDS USA

1B1 265 68B

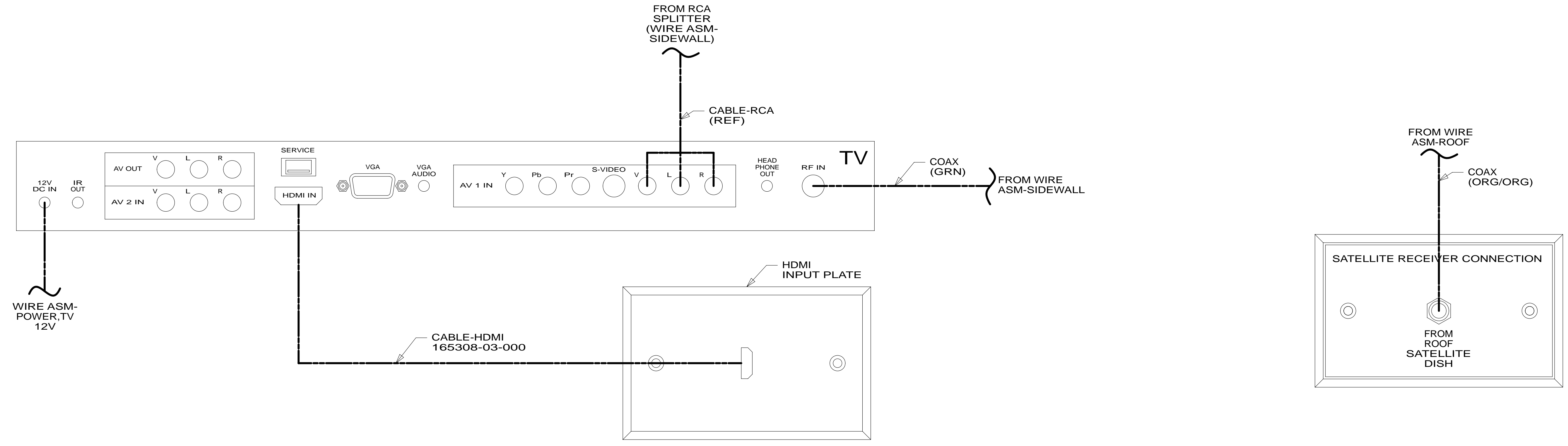
FIRST USED	
13 H-SERIES	
DO NOT SCALE DRAWING	
TITLE: WIRING INSTL-TV/DVD	
SHEET 9	PART NO 182139 REV

FOR ELECTRICAL
TORQUE
SPECIFICATIONS
SEE DWG NO.
128783-01-000

FOR
ELECTRICAL
CALLOUTS
SEE DWG NO.
121339-01-000

1 SEE WIRING INSTL-BODY,110V FOR ADDITIONAL INFORMATION.
NOTES:

* 182139 * A



DETAIL KA

- 68B TV (REAR)DC 22" LCD W/REMOTE
- 265 CODES/STANDARDS-CSA/CMVSS
- 1B1 CODES/STANDARDS USA

1B1 265 68B

FIRST USED **13 H-SERIES**

DO NOT SCALE DRAWING

TITLE: **WIRING INSTL-TV/DVD**

SHEET 10 PART NO **182139** REV

FOR ELECTRICAL TORQUE SPECIFICATIONS SEE DWG NO. 128783-01-000

FOR ELECTRICAL CALLOUTS SEE DWG NO. 121339-01-000

* 182139 * A