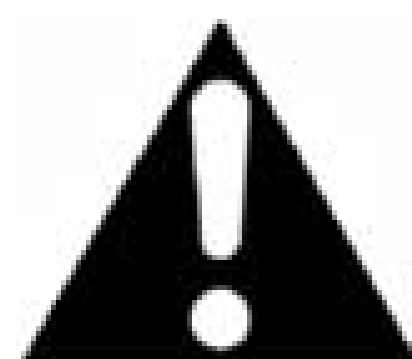




**DANGER**

**Danger of electrical shock, burns or death.** Always remove all power sources before attempting any repair, service or diagnostic work. Power can be present from shore power, generator, inverter or battery. All power sources must be disabled and secured before performing any service.

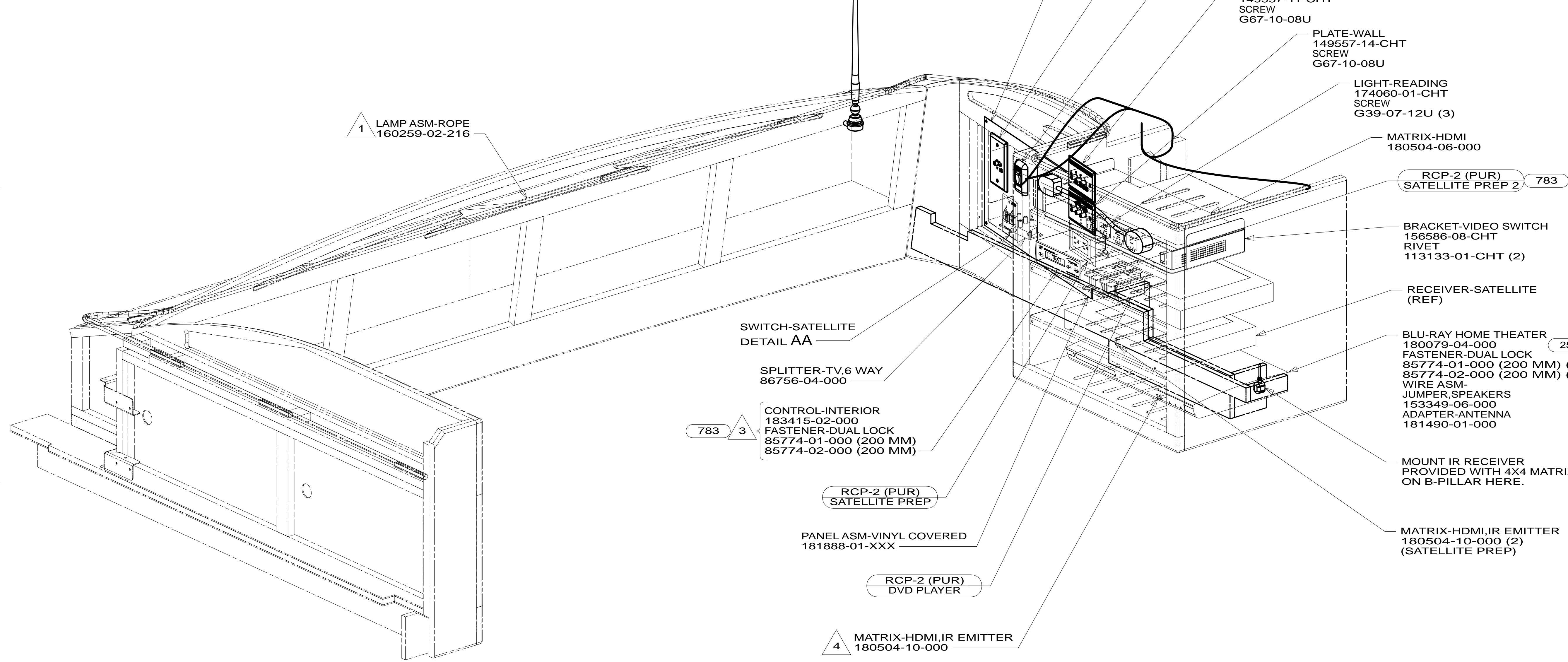


**CAUTION**

If you lack the skills, tools or equipment to perform diagnostic or repair work leave such work to an authorized Winnebago Industries dealer or other qualified shop.

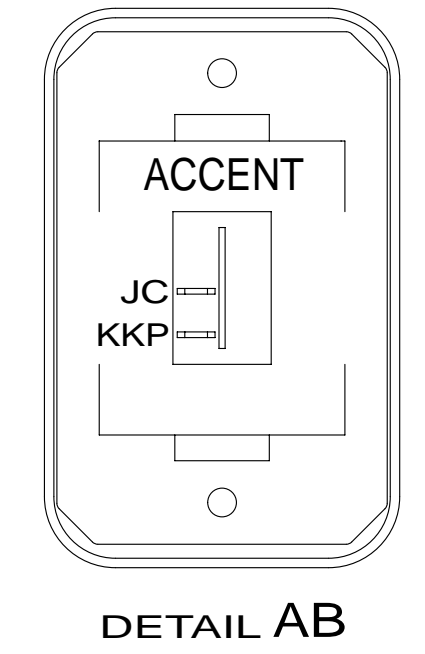
DRAWING NO.	SHEETS	MODEL
181887-01	1,2,3,7	R42QD
181887-02	4,5,6,7	R42GD
181887-03	N/A	N/A

RELEASE	REV DATE	DWG NO	181887
REV ZONE	REVISION RECORD	DATE	DFT-ORIG

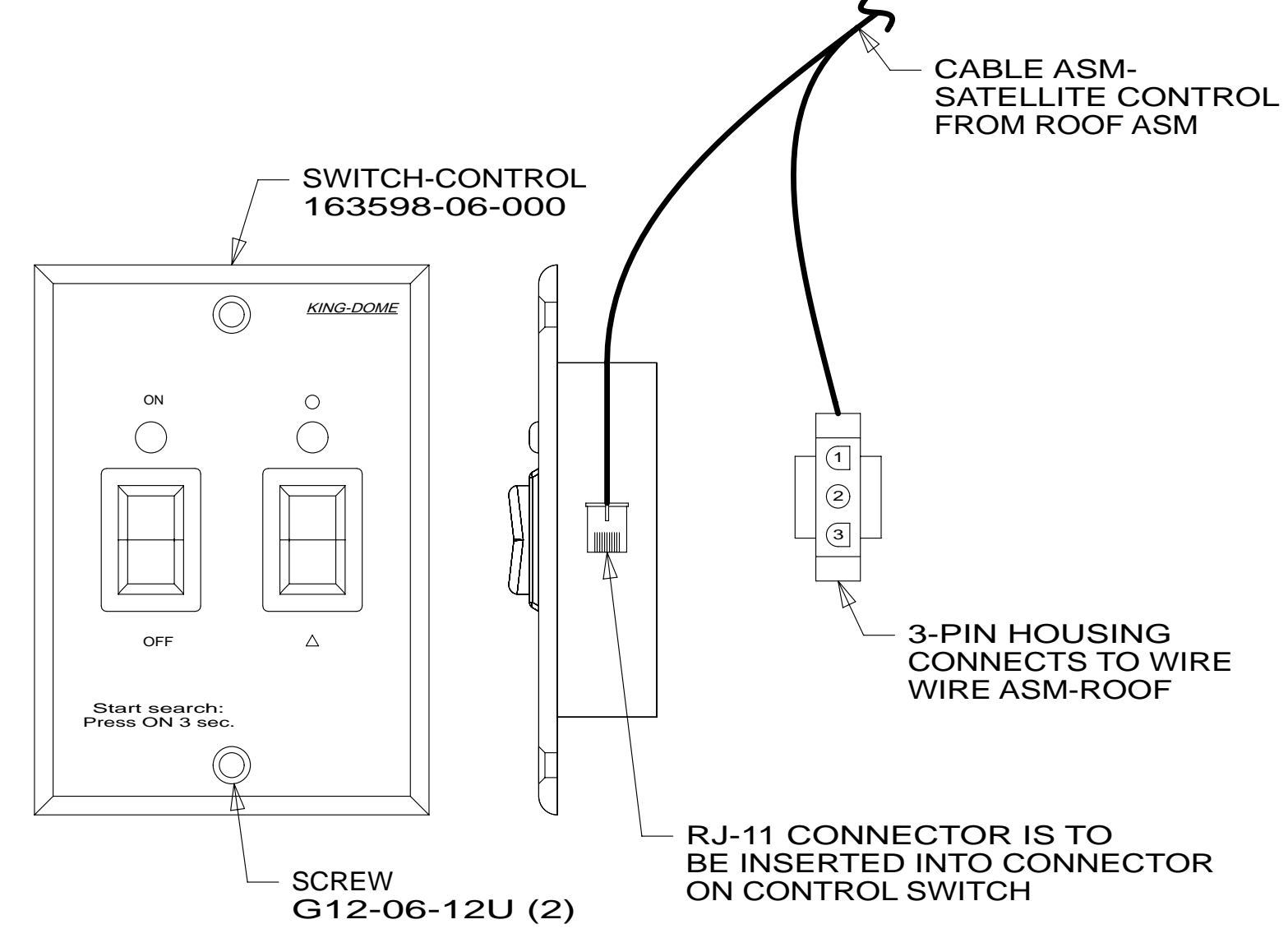


- 783 SATELLITE HD TV SYSTEM AUTOC
- 68D TV-40" COLOR,STEREO W/REMOTE
- 25M HOME THEATER SYSTEM, BLU-RAY
- 78K SATELLITE TV SYSTEM AUTO
- 78C SATELLITE SYSTEM READY
- 48P SAT TV SYSTEM IN-MOTION
- 265 CODES/STANDARDS-CSA/CMVSS
- 1B1 CODES/STANDARDS USA

- NOTES:
- 5 SET BLU-RAY PLAYER TO A MAX VIDEO OUTPUT OF 1080i.
  - 4 PLACE I.R.E. IN FRONT OF BLU-RAY PLAYER AS SHOWN. (100 MM FROM RIGHT SIDE)
  - 3 INTERIOR CONTROL CONNECTS TO SATELLITE DATA CABLE. SEE ROOF ASM FOR ADDITIONAL INFORMATION.
  - 2 MOUNT ANTENNA 300 MM AWAY FROM RADIO ANTENNA, TOWARD PASSENGER'S SIDE.
  - 1 SNAP ROPE LIGHT IN CHANNELS ON OVHD CABINETS.



SWITCH-ROCKER  
135740-01-CHT  
SWITCH-BASE  
135741-01-CHT  
SWITCH-BEZEL  
135742-50-CHT  
SCREW  
G11-08-08U (2)



DETAIL AA 78K OR 48P

FOR ELECTRICAL TORQUE SPECIFICATIONS SEE DWG NO. 128783-01-000

FOR ELECTRICAL CALLOUTS SEE DWG NO. 121339-01-000

1B1 265

**WINNEBAGO** COPYRIGHT 2013 WINNEBAGO INDUSTRIES, INC.

DFT-ORIG	ORIG. DATE
CHKR	ALL DIMENSIONS ARE IN MILLIMETERS
P.E.	
M.E.	FIRST USED
DSNR	<b>13 R-SERIES</b>

UNSPECIFIED TOLERANCES ARE:

WHOLE DIM (X)	: 3
ONE-PLACE (X.X)	: 1.5
TWO-PLACE (X.XX)	: 0.50
ANGLE	: 1°

THIRD ANGLE PROJECTION

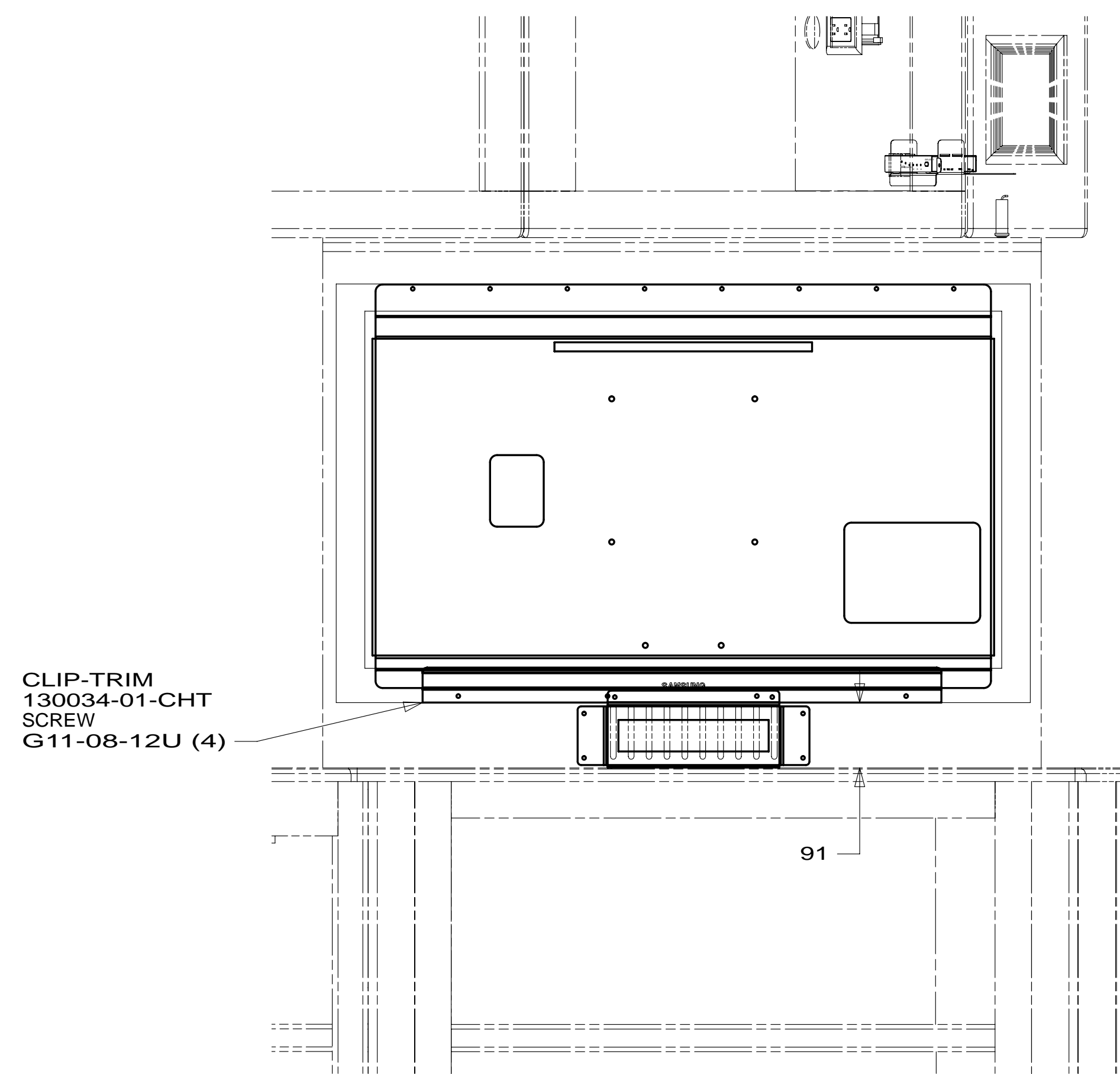
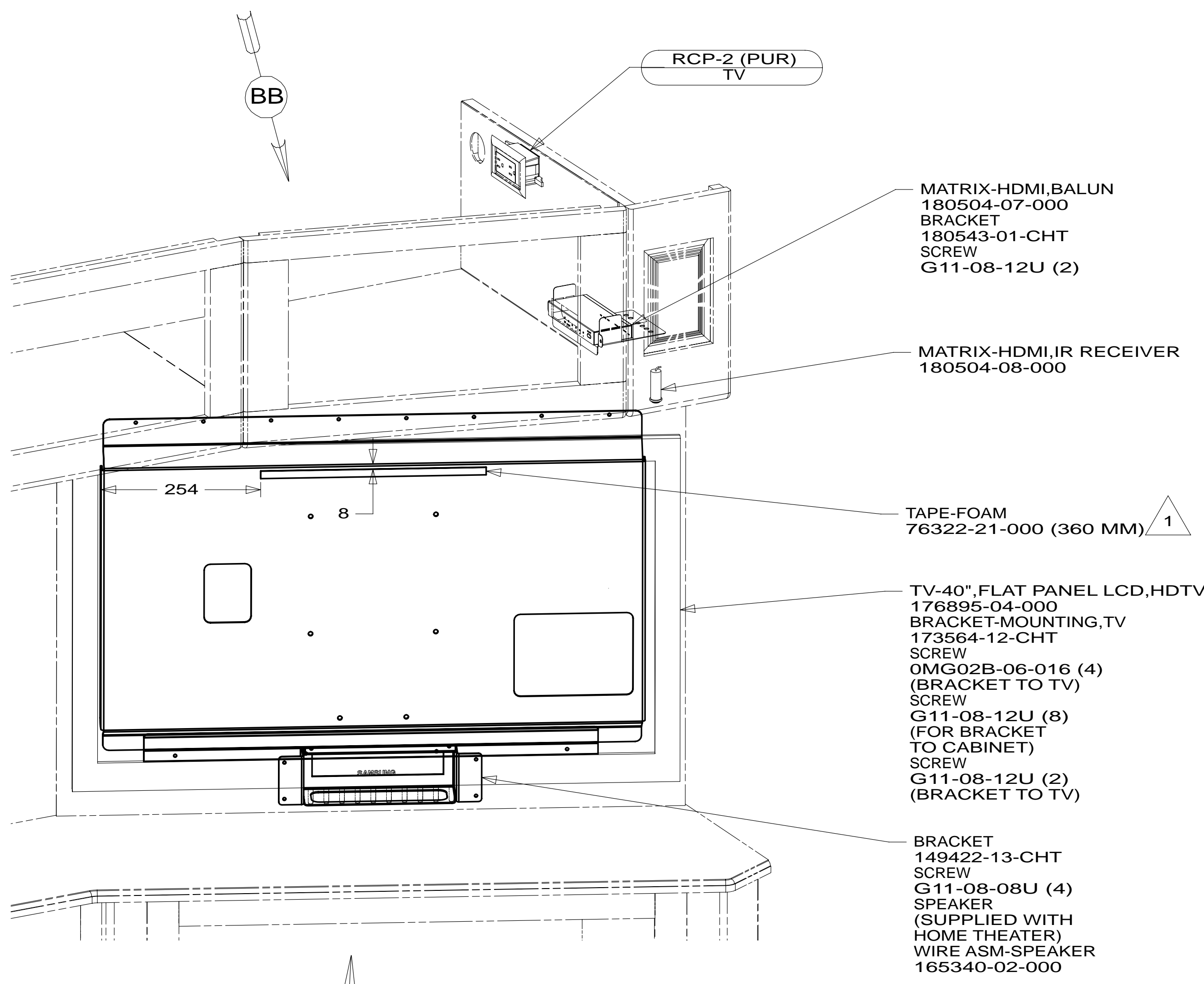
DO NOT SCALE DRAWING REFER TO ES0018 FOR FASTENER TIGHTENING GUIDELINES

TITLE: **WIRING INSTL-TV/DVD**

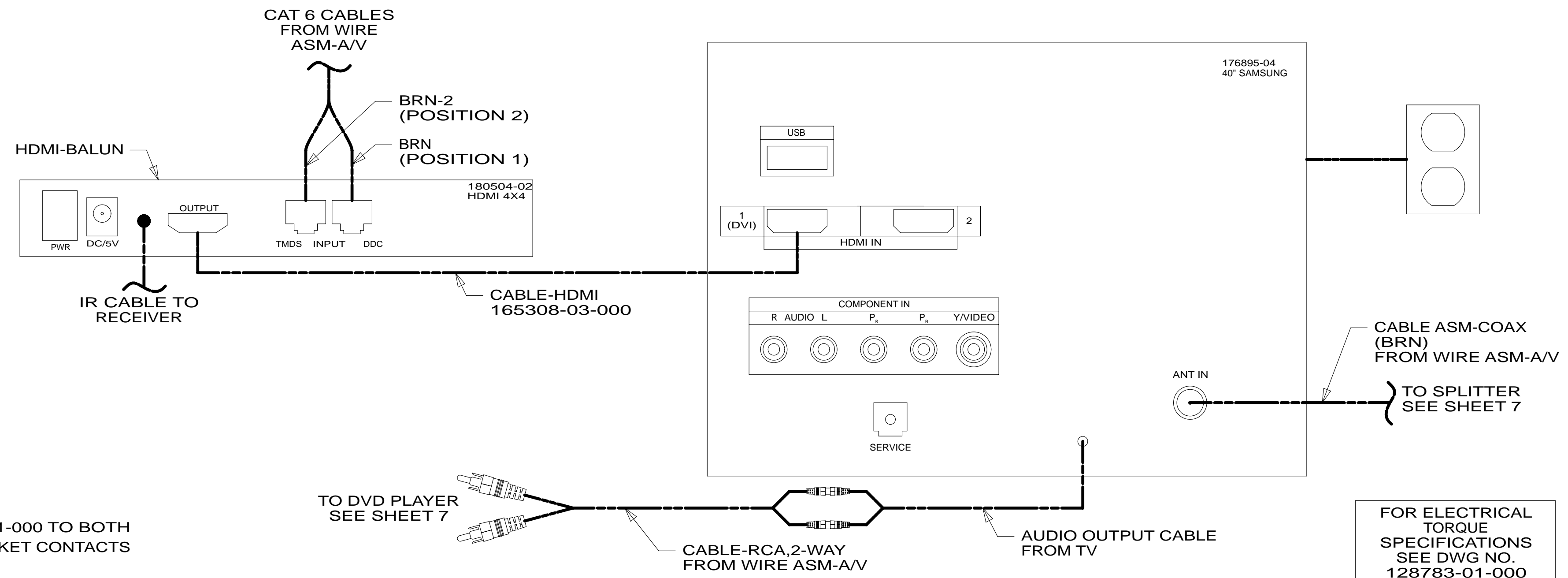
SHEET 1 OF 7 PART NO. **181887** REV

REF: 1 28-Mar-2013

\* 181887 \*



VIEW BA (TV NOT SHOWN)



VIEW BB

1 CLEAN AND APPLY ADHESIVE PROMOTER 87211-01-000 TO BOTH SURFACES AND BOND WHERE TOP FLANGE OF BRACKET CONTACTS PLASTIC TV BEZEL.

NOTES:

FOR ELECTRICAL TORQUE SPECIFICATIONS SEE DWG NO. 128783-01-000

FOR ELECTRICAL CALLOUTS SEE DWG NO. 121339-01-000

- 265 CODES/STANDARDS-CSA/CMVSS
- 1B1 CODES/STANDARDS USA

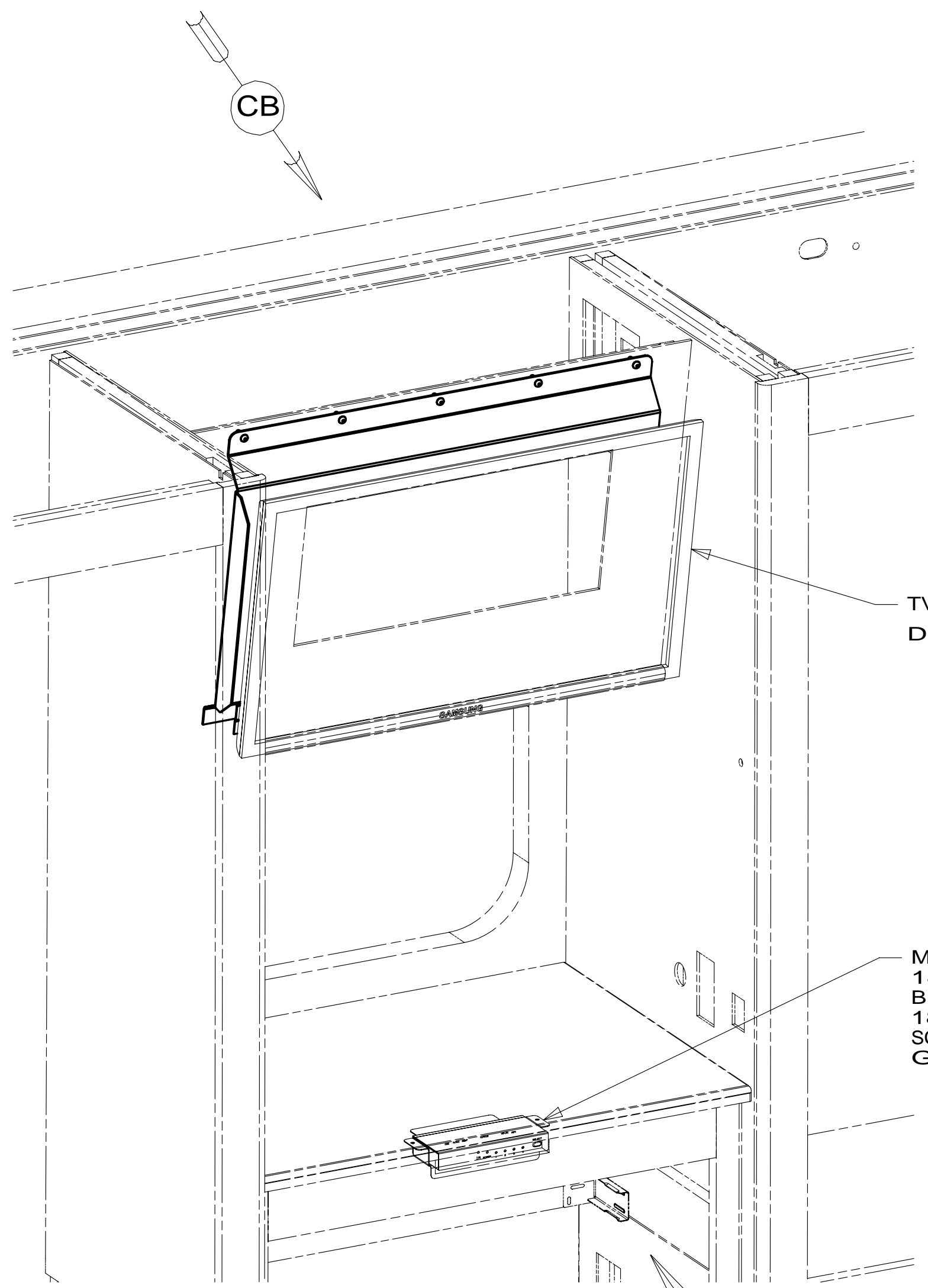
1B1 265

**13 R-SERIES**

DO NOT SCALE DRAWING

TITLE: **WIRING INSTL-TV/DVD**

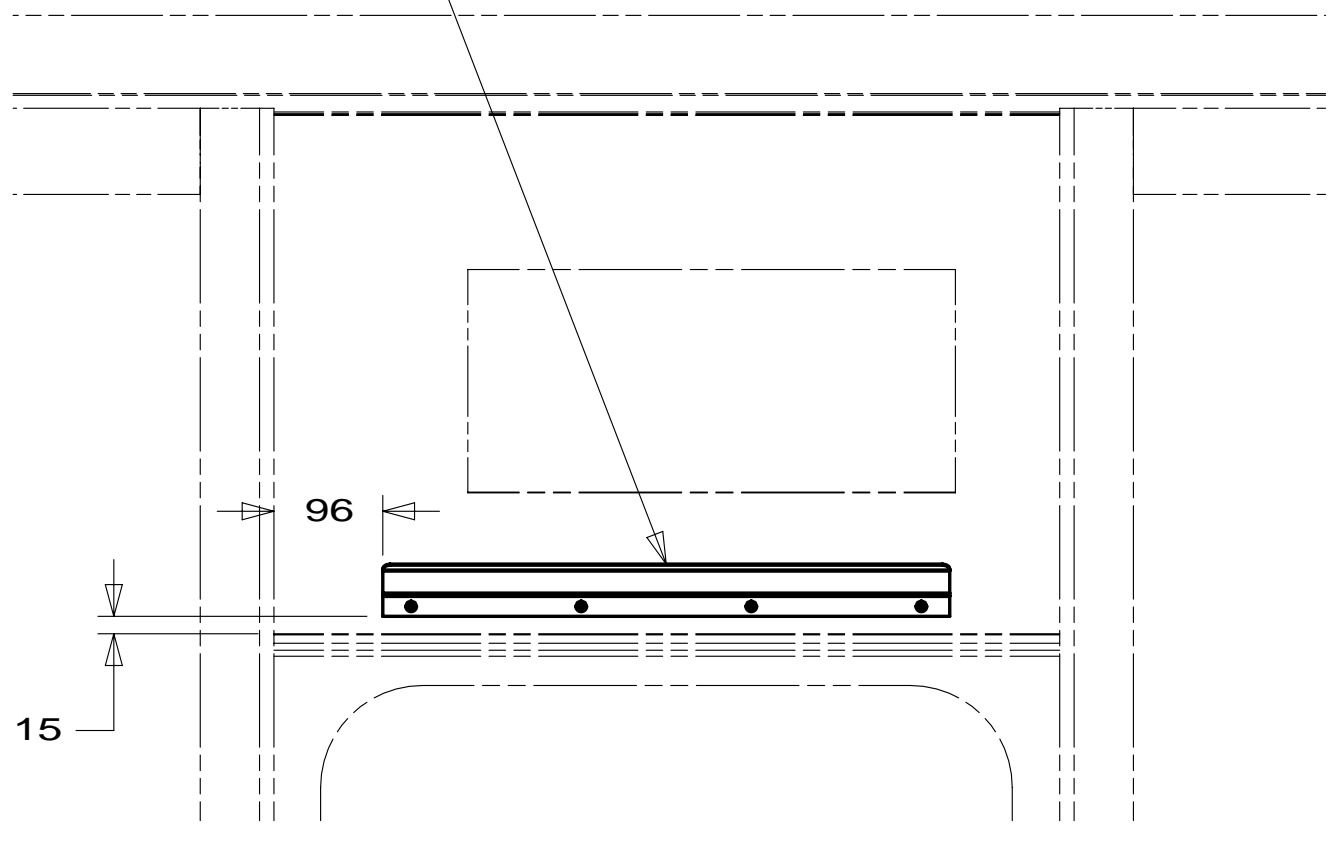
SHEET 2 PART NO **181887** REV



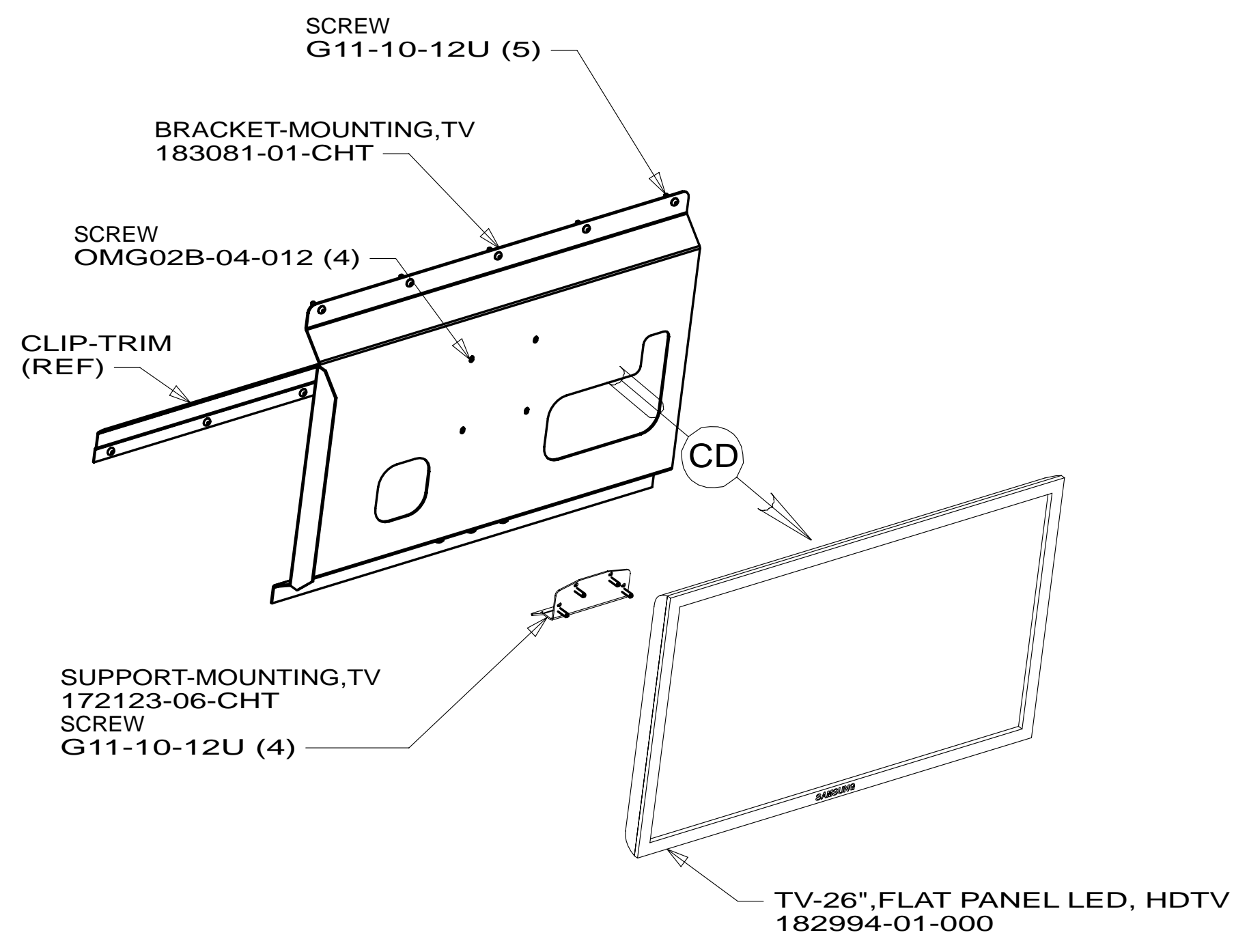
TV  
DETAIL CC

MATRIX-HDMI,BALUN  
180504-07-000  
BRACKET-MOUNTING,RECEIVER  
180543-02-CHT  
SCREW  
G11-08-12U (2)

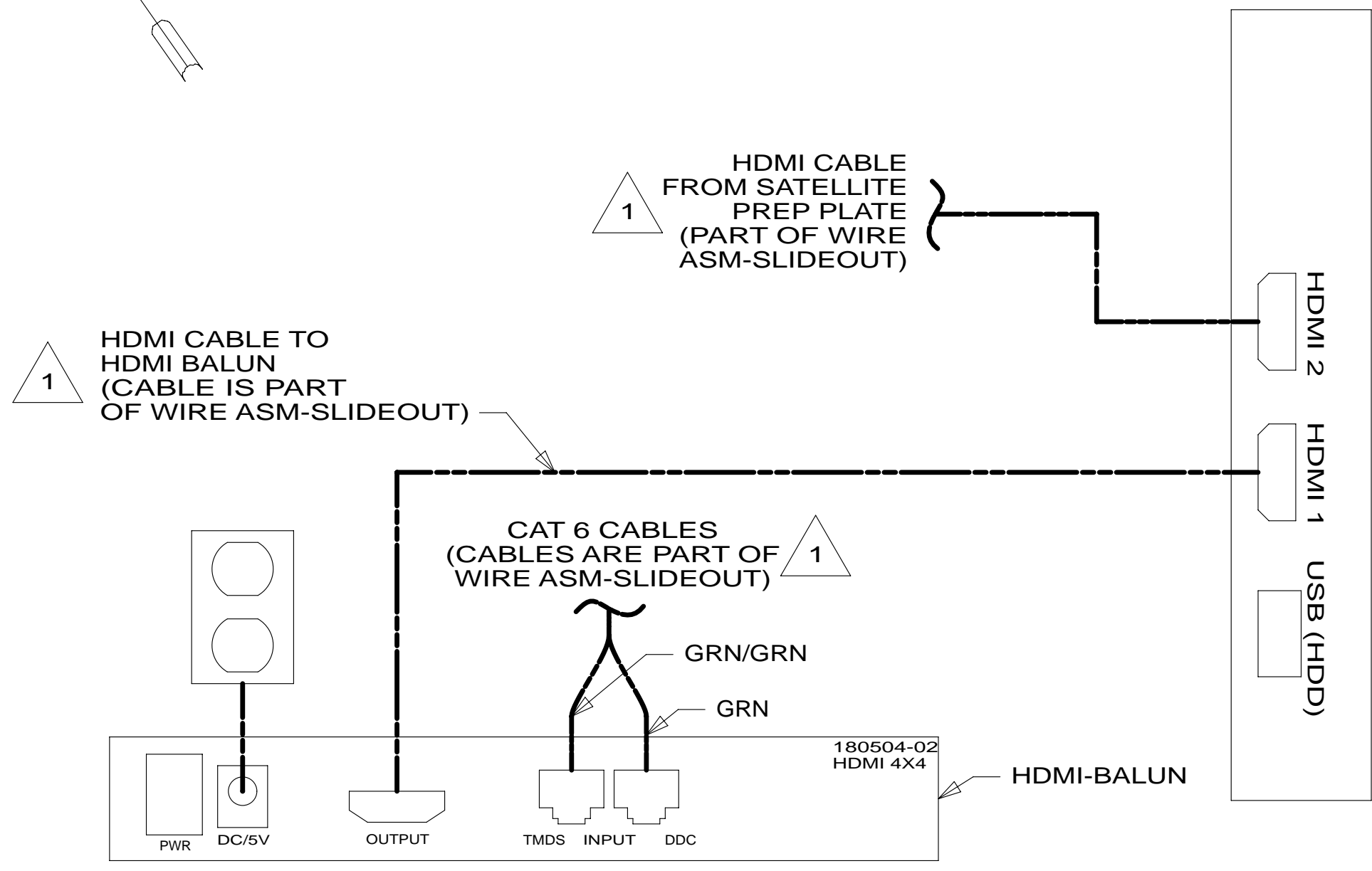
CLIP-TRIM  
130034-04-CHT  
SCREW  
G11-10-12U (4)



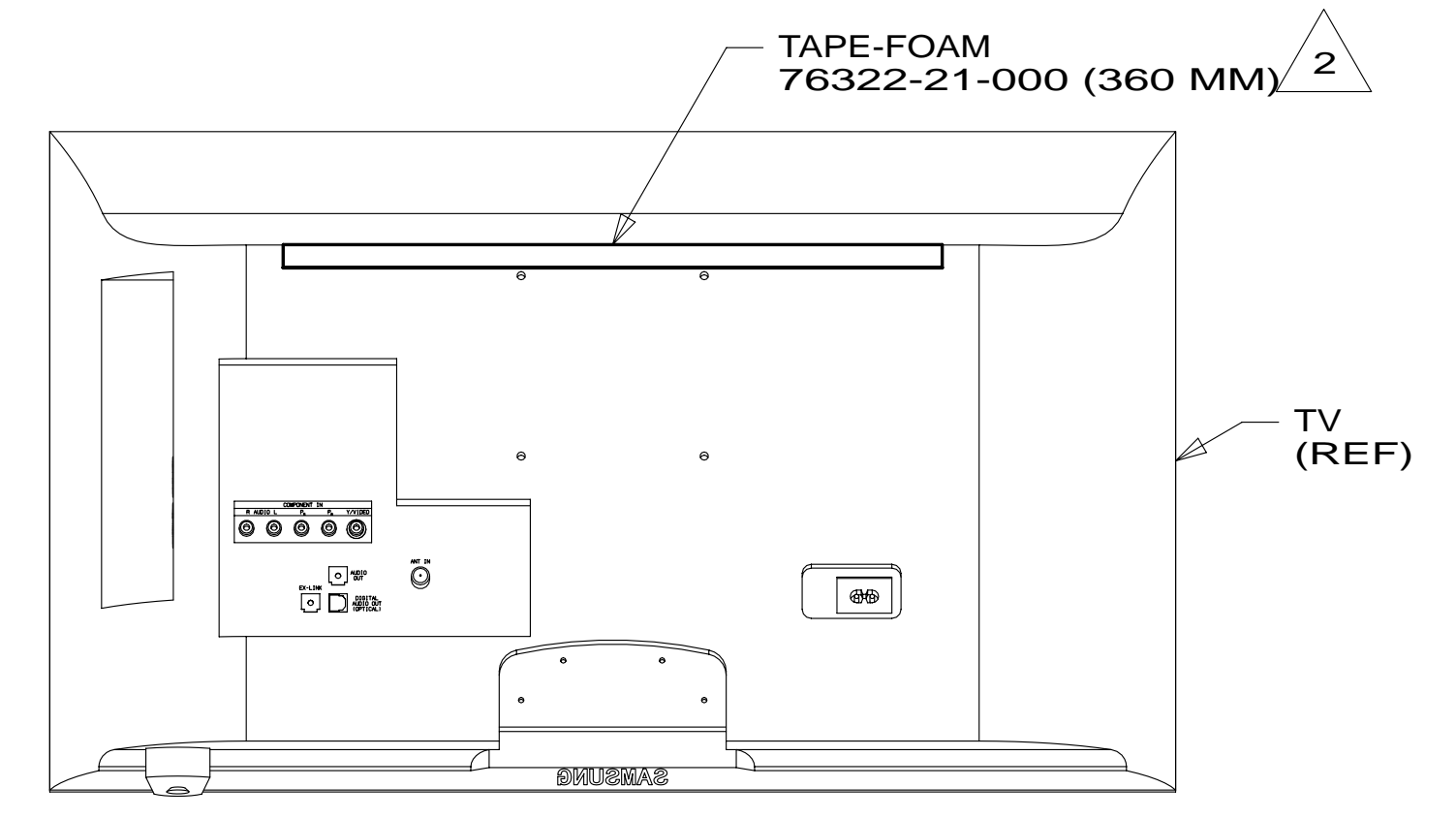
VIEW CA  
(TV NOT SHOWN)



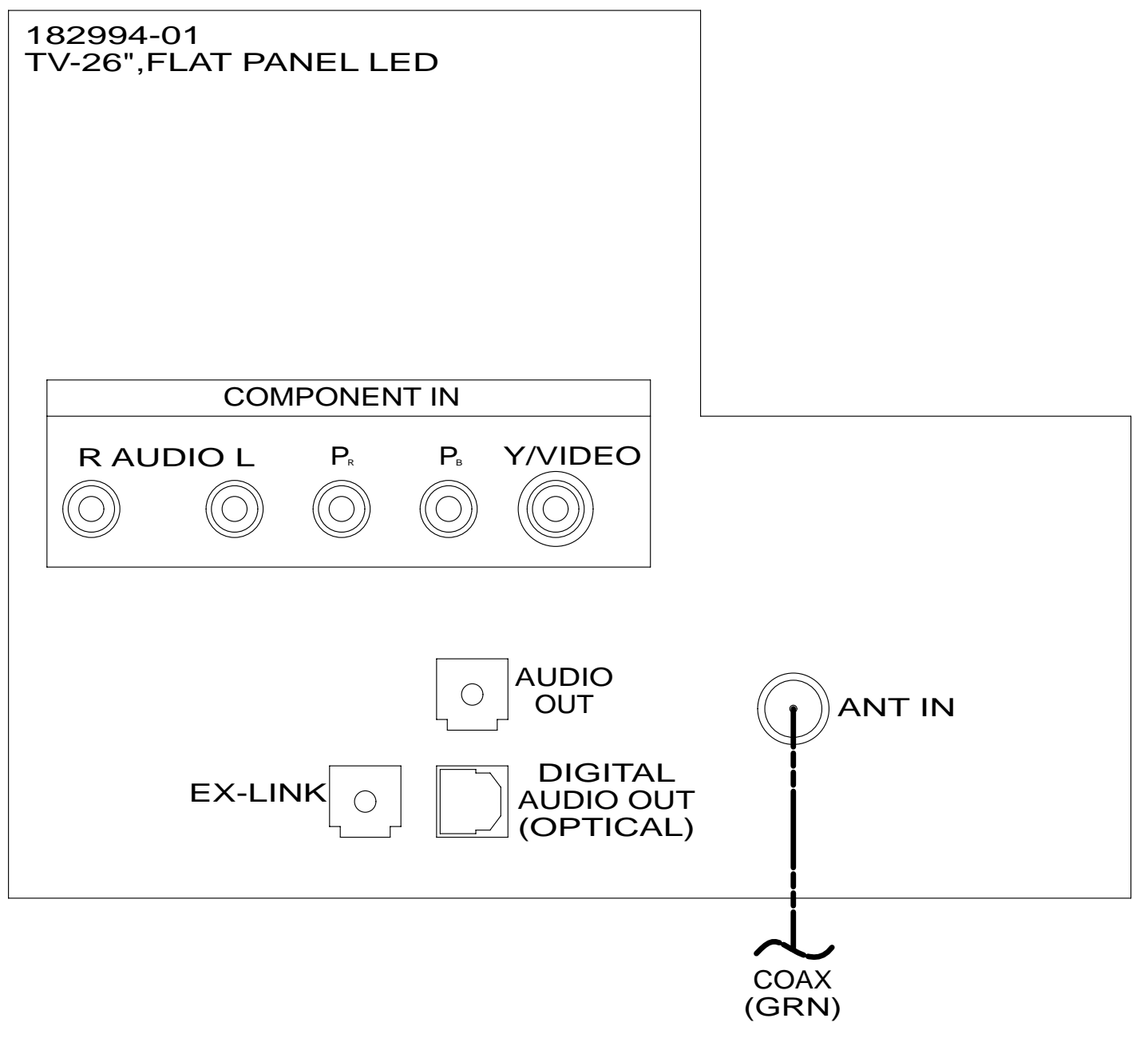
VIEW CC



VIEW CB



DETAIL CD



2 CLEAN AND APPLY ADHESIVE PROMOTER 87211-01-000 TO BOTH SURFACES AND BOND WHERE TOP FLANGE OF BRACKET CONTACTS PLASTIC TV BEZEL.

1 SEE WIRING INSTL-BODY,12V FOR ADDITIONAL INFORMATION.

NOTES:

FOR ELECTRICAL TORQUE SPECIFICATIONS SEE DWG NO. 128783-01-000

FOR ELECTRICAL CALLOUTS SEE DWG NO. 121339-01-000

265 CODES/STANDARDS-CSA/CMVSS

1B1 CODES/STANDARDS USA

1B1 265

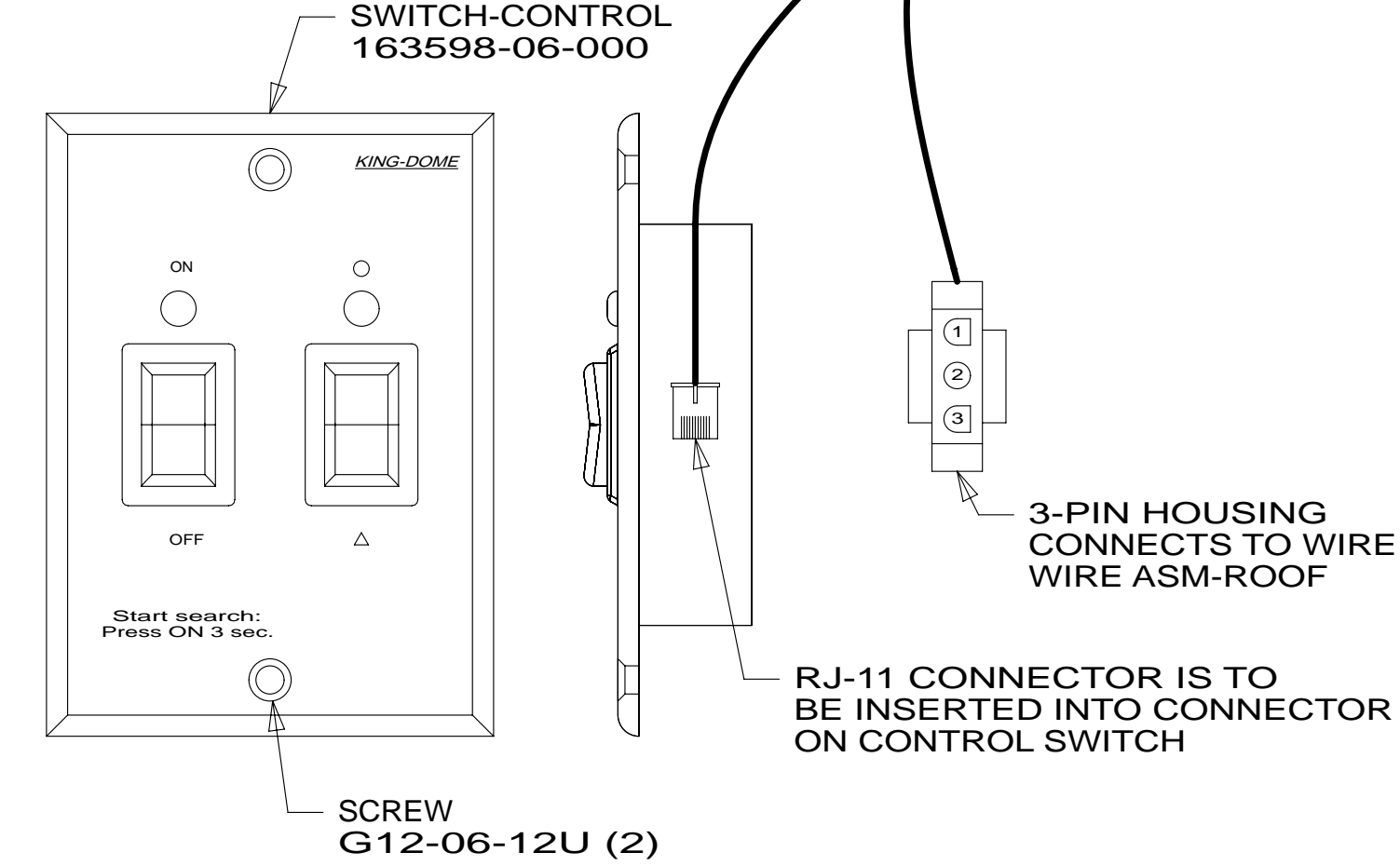
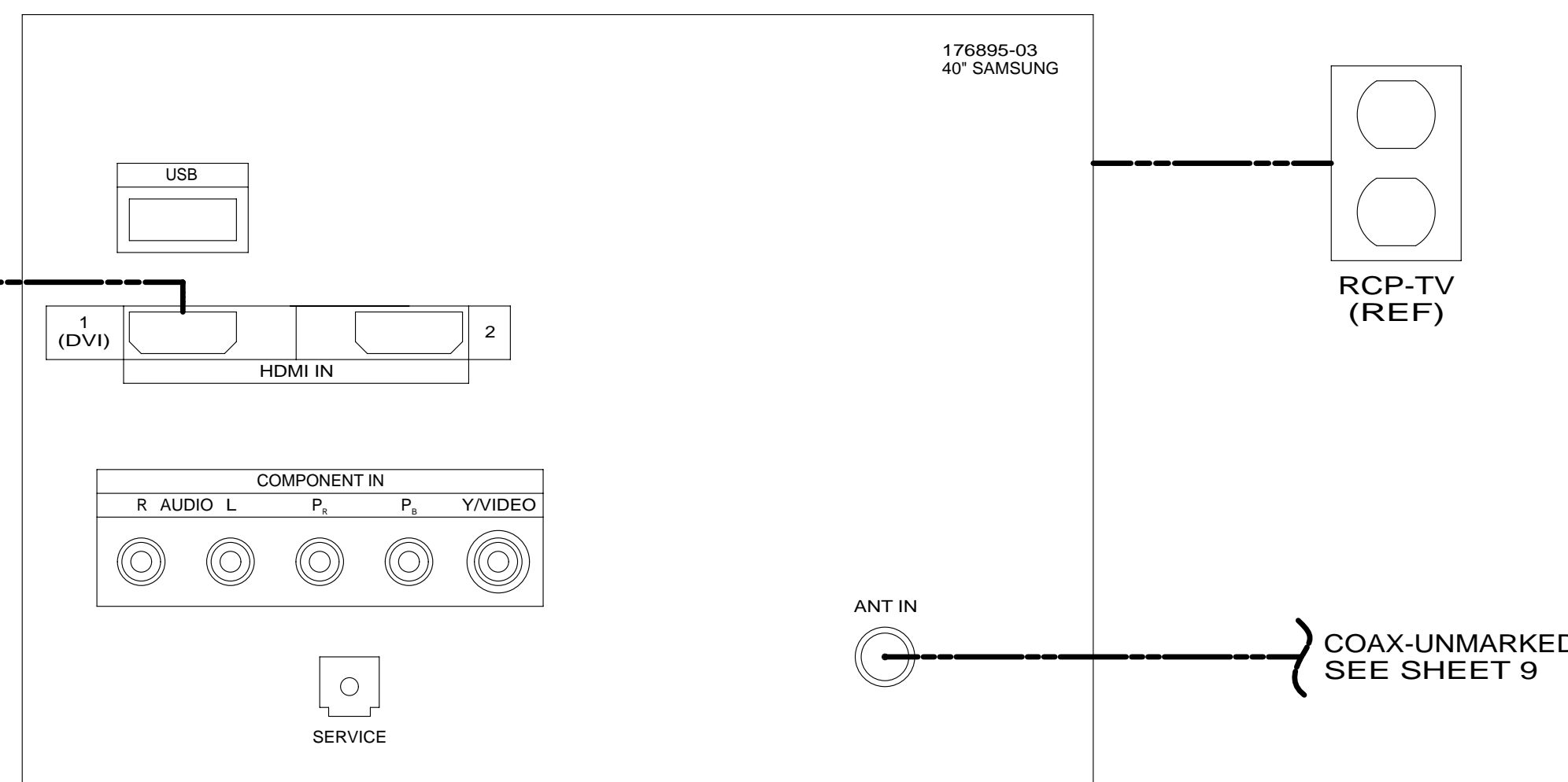
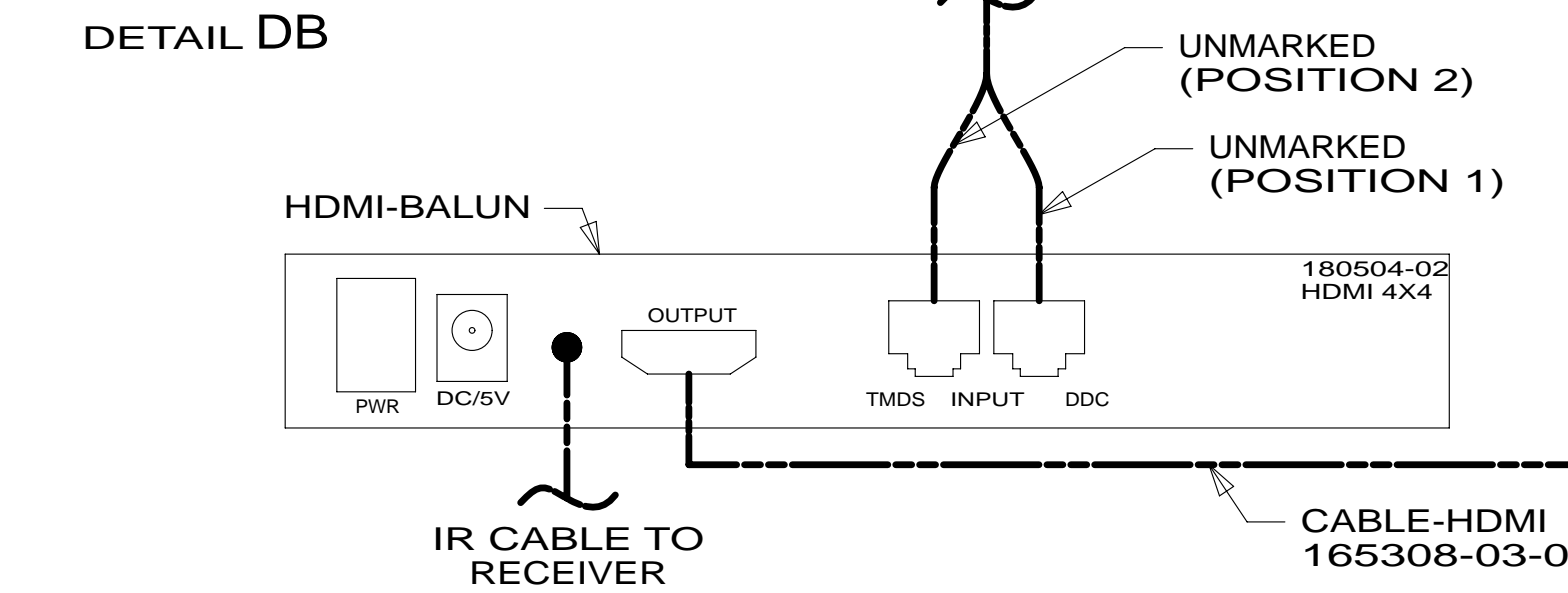
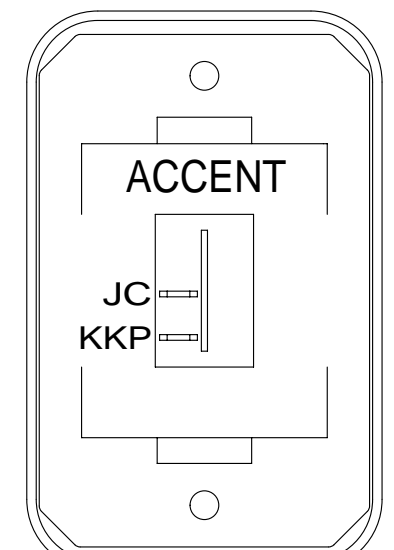
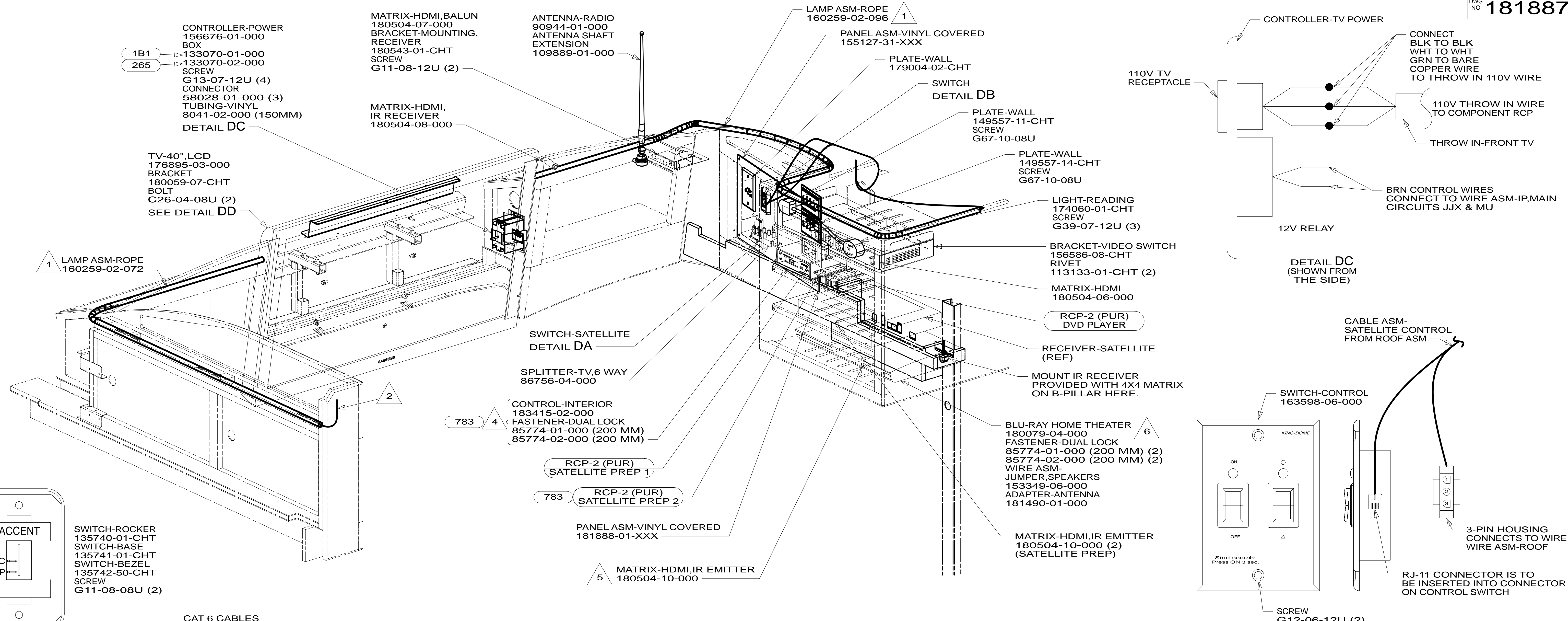
FIRST USED **13 R-SERIES**

DO NOT SCALE DRAWING

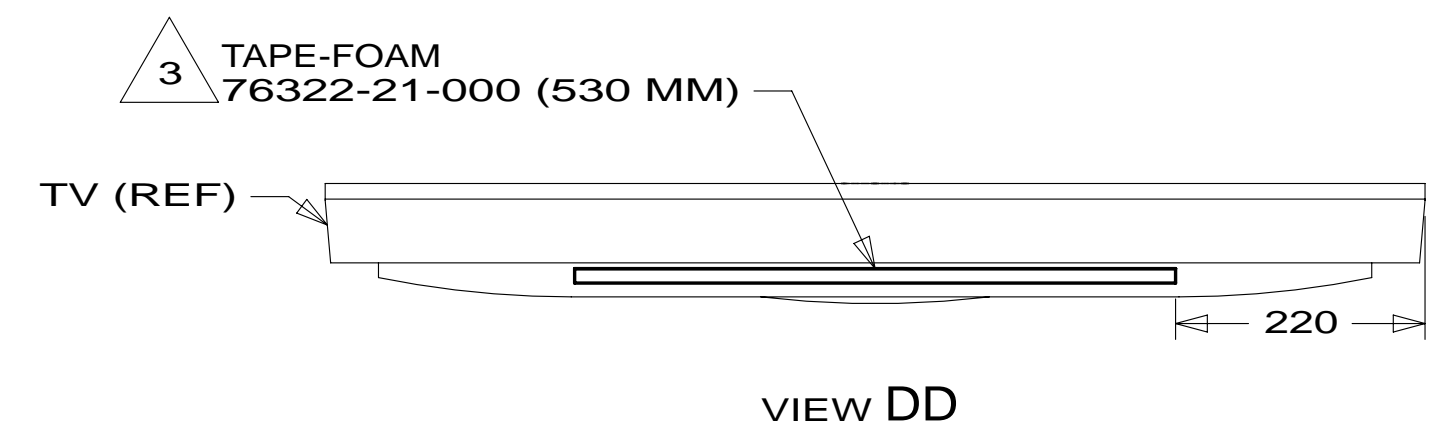
TITLE: **WIRING INSTL-TV/DVD**

SHEET 3 PART NO **181887** REV





- NOTES:**
- 6 SET BLU-RAY PLAYER TO A MAX VIDEO OUTPUT OF 1080i.
  - 5 PLACE I.R.E. IN FRONT OF BLU-RAY PLAYER AS SHOWN. (100 MM FROM RIGHT SIDE)
  - 4 INTERIOR CONTROL CONNECTS TO SATELLITE DATA CABLE. SEE ROOF ASM FOR ADDITIONAL INFORMATION.
  - 3 CLEAN AND APPLY ADHESIVE PROMOTER 87211-01-000 TO BOTH SURFACES AND BOND WHERE TOP FLANGE OF BRACKET CONTACTS PLASTIC TV BEZEL.
  - 2 PLACE CONNECTOR HERE TO MAKE CONNECTION TO MATING WIRE ASM CIRCUITS KKP & NC.
  - 1 SNAP ROPE LIGHT IN CHANNELS ON OVHD CABINETS.



- 783 SATELLITE HD TV SYSTEM AUTOC
- 68D TV-40" COLOR, STEREO W/REMOTE
- 25M HOME THEATER SYSTEM, BLU-RAY
- 1JM HOME THEATER SOUND SYSTEM
- 78K SATELLITE TV SYSTEM AUTO
- 78C SATELLITE SYSTEM READY
- 48P SAT TV SYSTEM IN-MOTION
- 265 CODES/STANDARDS-CSA/CMVSS
- 1B1 CODES/STANDARDS USA

FOR ELECTRICAL TORQUE SPECIFICATIONS SEE DWG NO. 128783-01-000

FOR ELECTRICAL CALLOUTS SEE DWG NO. 121339-01-000

FIRST USED

## 13 R-SERIES

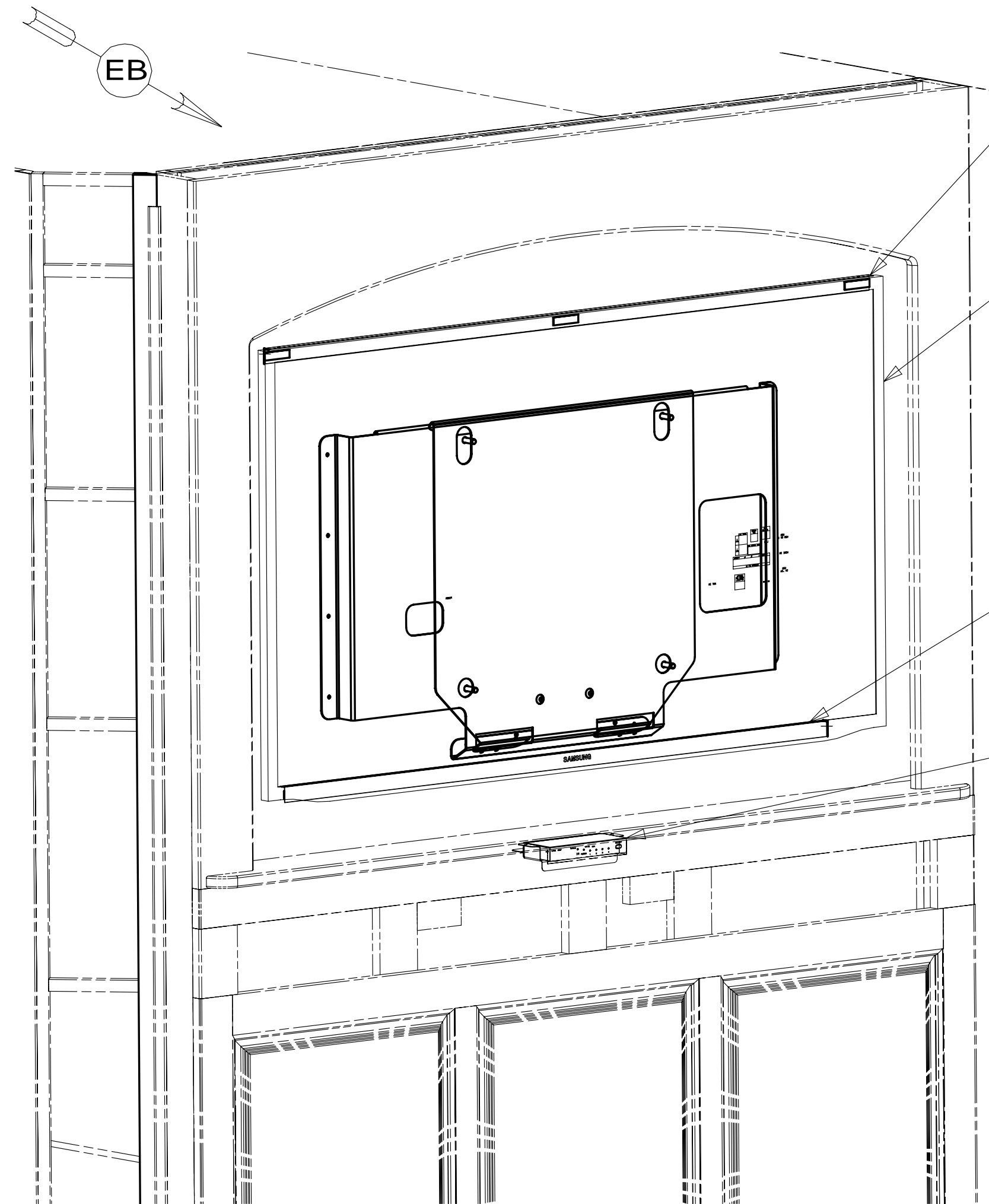
DO NOT SCALE DRAWING

TITLE: **WIRING INSTL-TV/DVD**

SHEET 4 PART NO. **181887** REV

28-Mar-2013

\* 181887

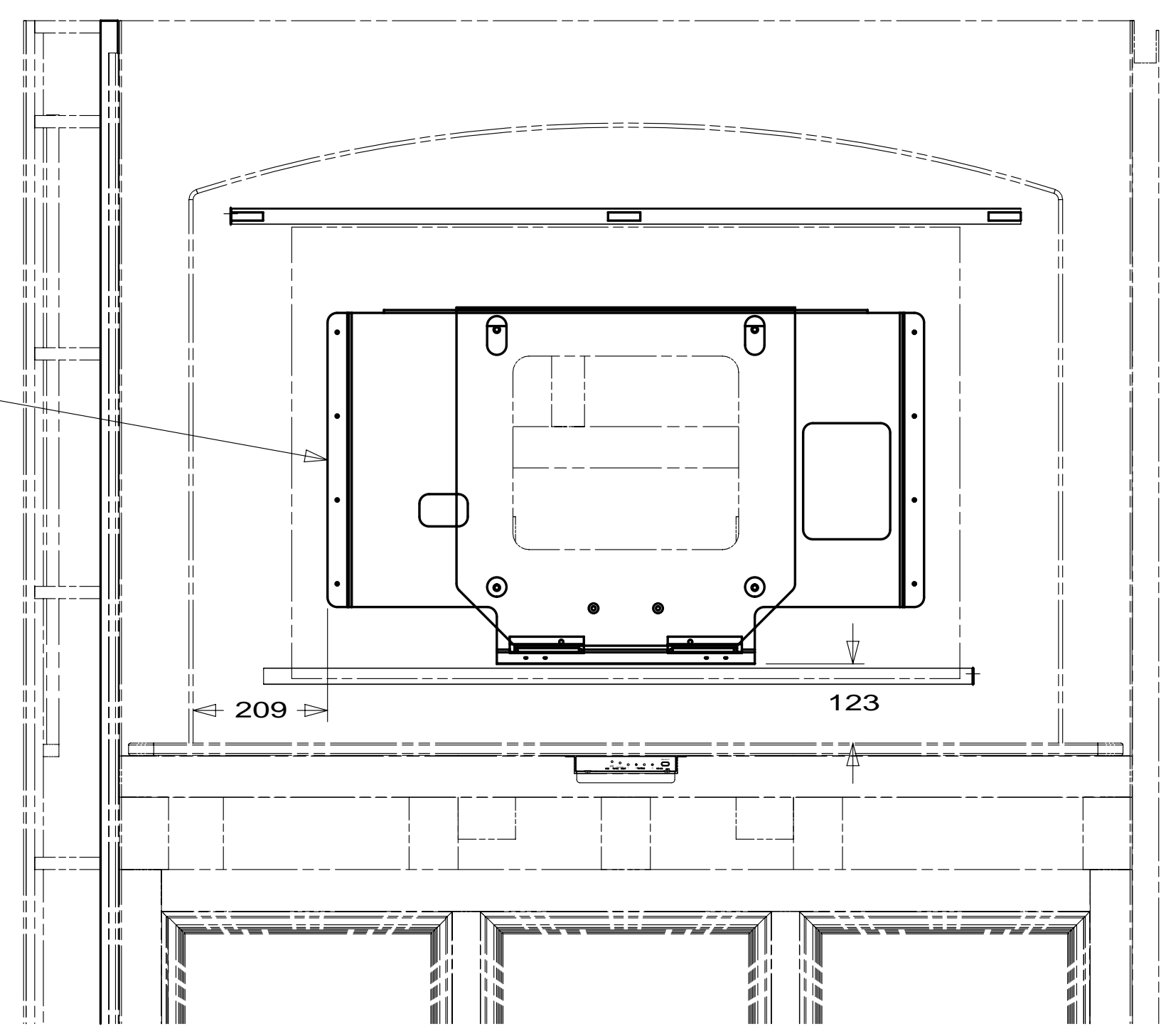


ANGLE-TRIM,AL  
184864-02-CHT  
TAPE-FOAM,DBL COATED  
076322-21-000 (50MM) (3)

TV-55",FLAT  
PANEL LED, HDTV  
183165-01-000  
BRACKET-MOUNTING,TV  
169584-07-CHT  
SCREW  
OMC31U-08-025 (4)  
(BRACKET TO TV)  
SCREW  
G39-08-12U (2)  
(BRACKET TO BRACKET)

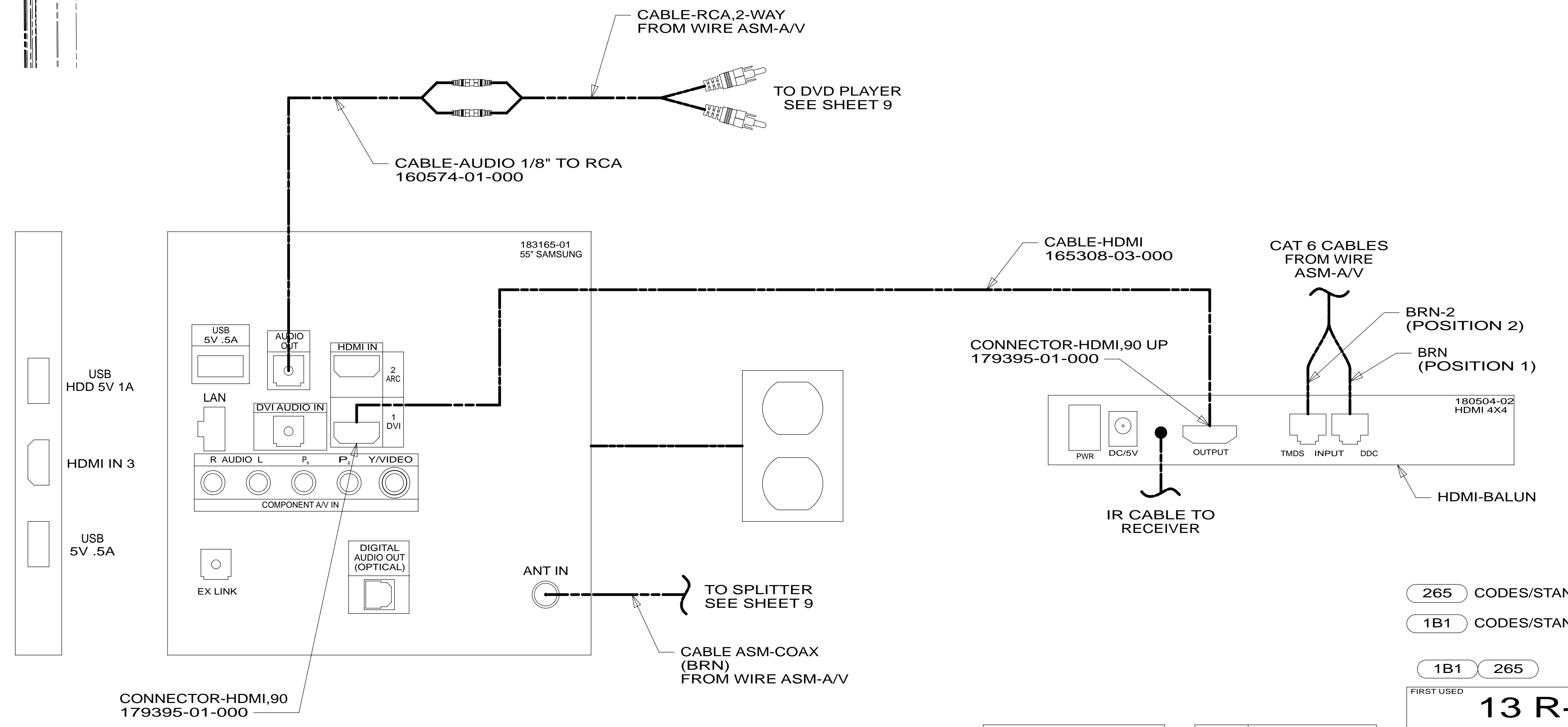
ANGLE-TRIM,AL  
184864-01-CHT  
TAPE-FOAM,DBL COATED  
076322-21-000 (50MM) (3)

MATRIX-HDMI,BALUN  
180504-07-000  
BRACKET  
180543-02-CHT  
SCREW  
G11-08-12U (2)



BRACKET-TV  
182334-01-CHT  
SCREW  
G11-08-12U (12)

VIEW EA  
(TV NOT SHOWN)



VIEW EB

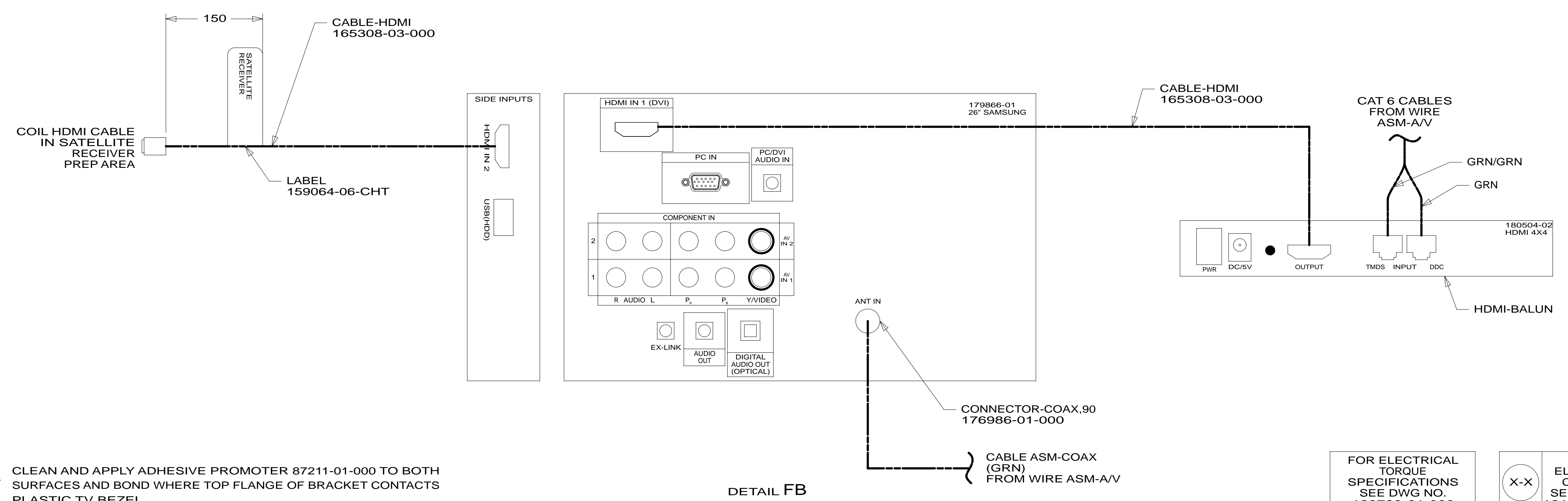
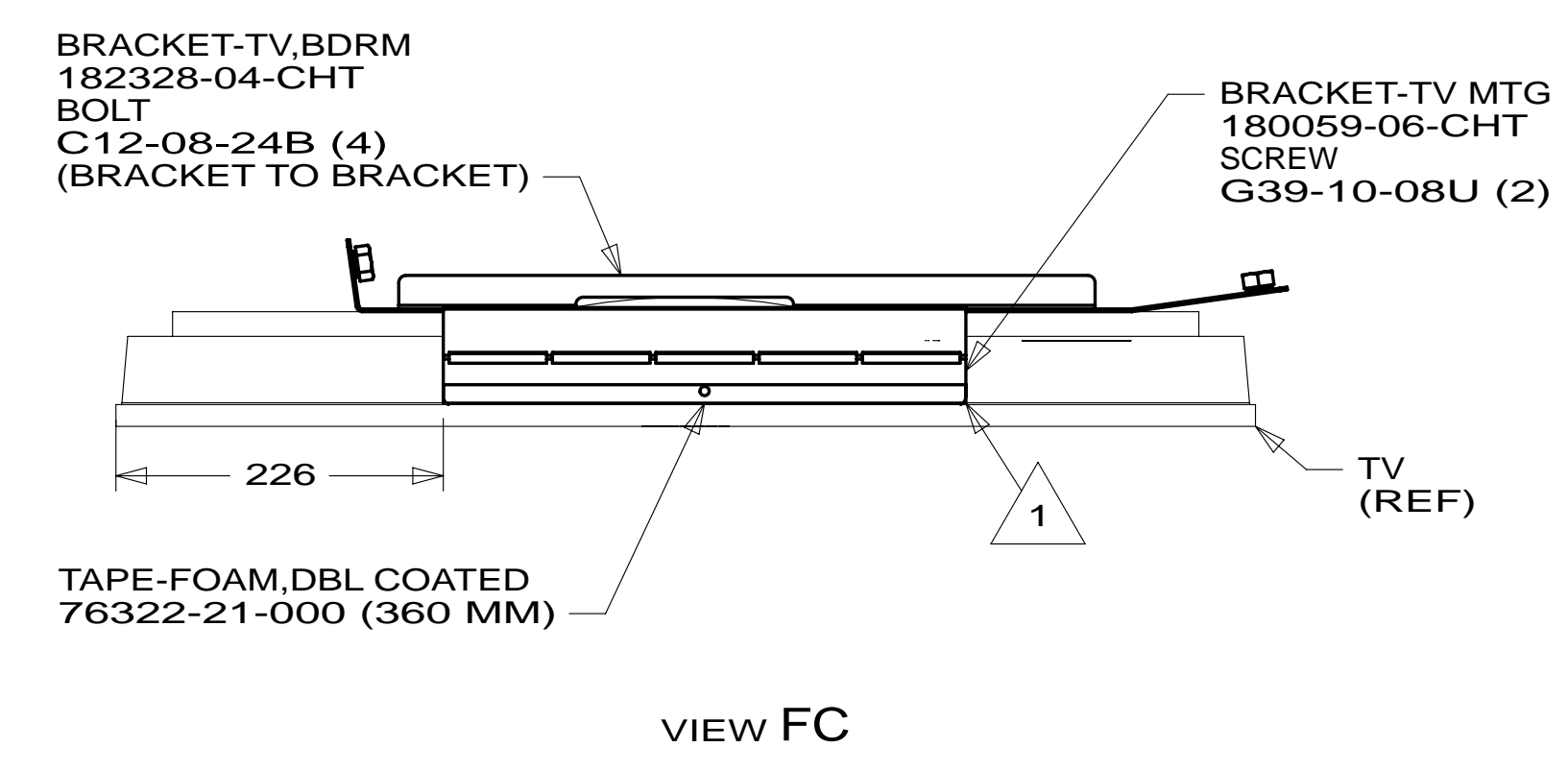
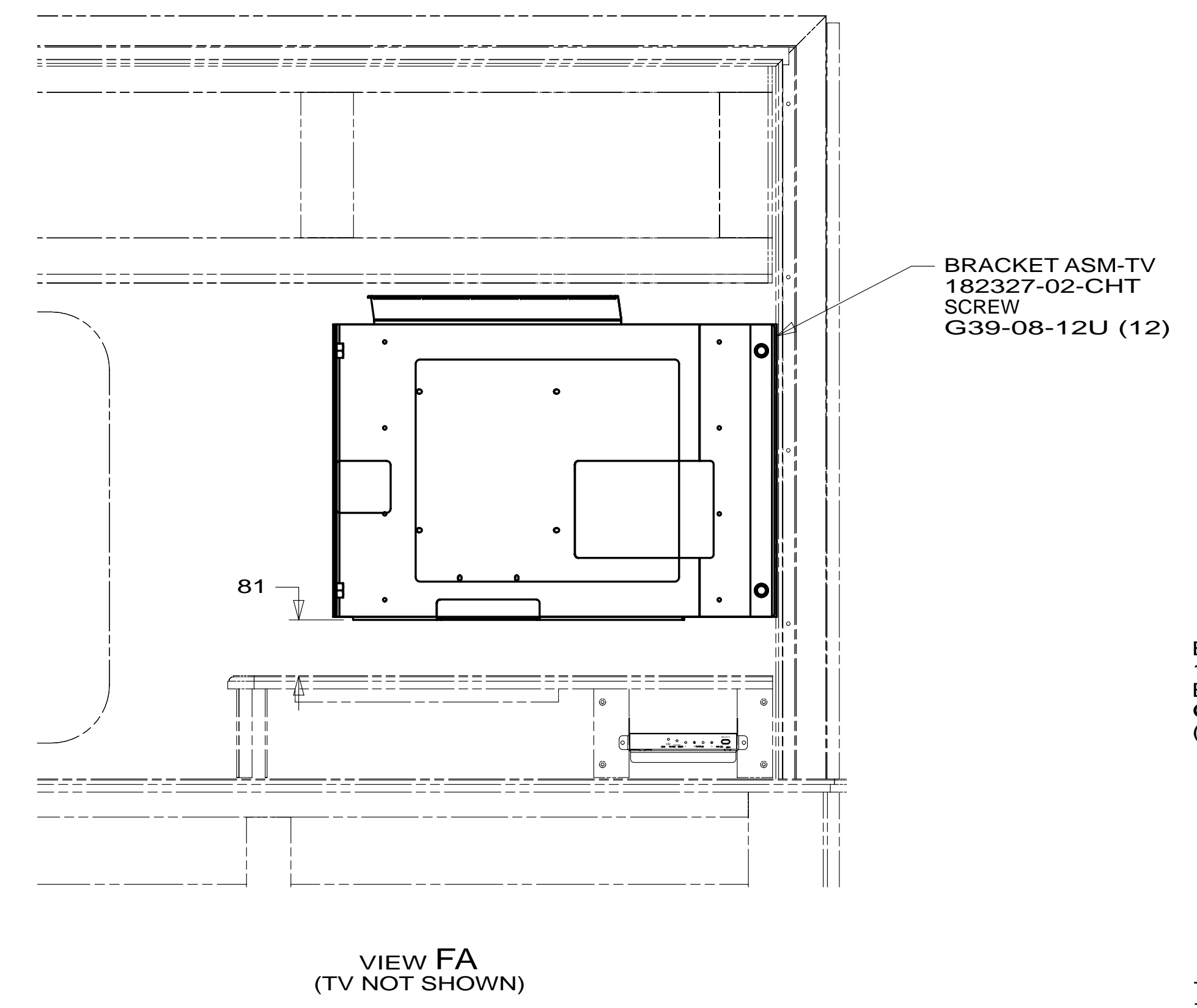
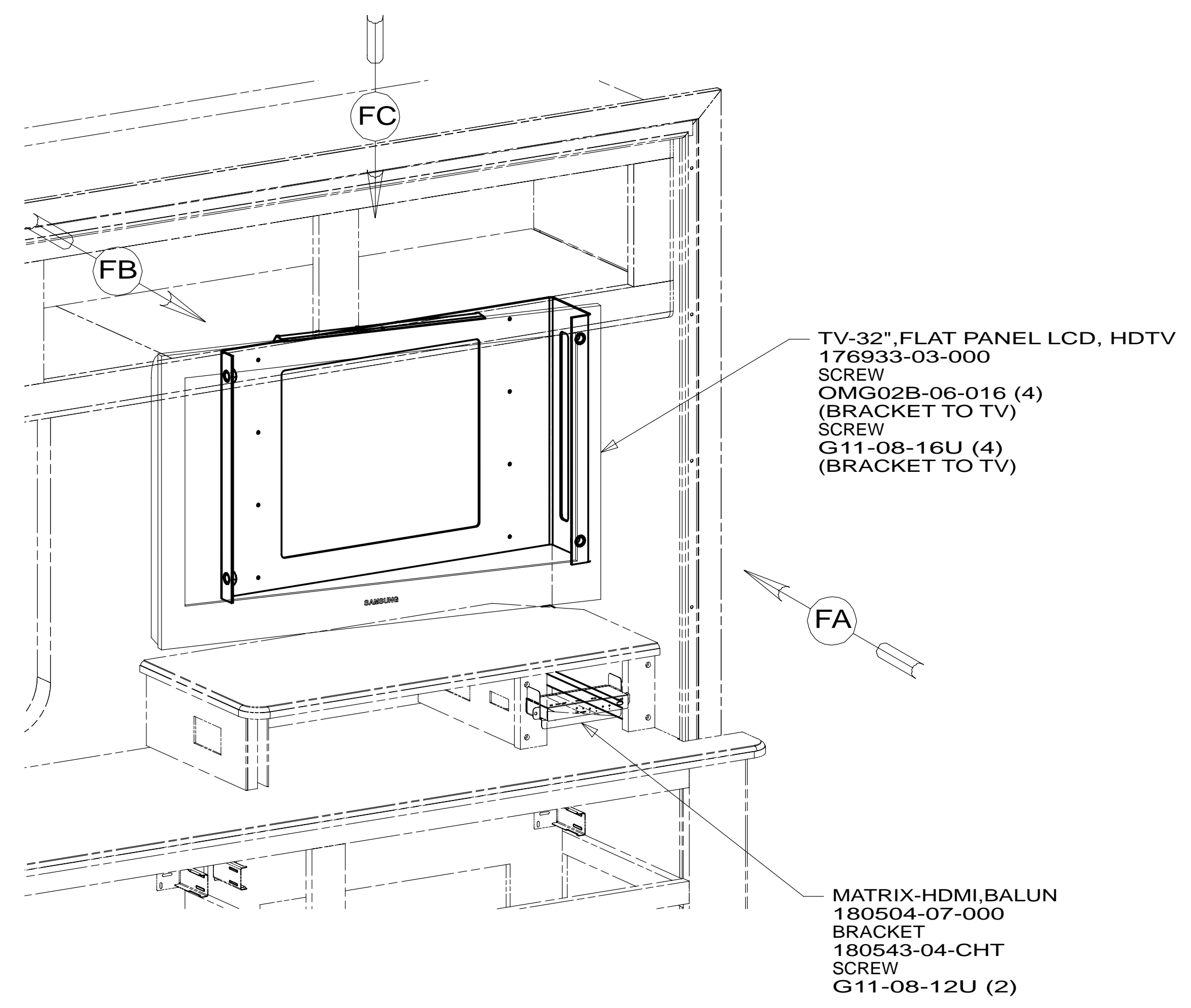
1 CLEAN AND APPLY ADHESIVE PROMOTER 87211-01-000 TO BOTH SURFACES.  
TOP ANGLE IS APPLIED TO REAR SIDE OF TOP TV BEZEL AND LOWER ANGLE IS  
APPLIED TO LOWER F-MOLDING SUPPORTING LED ACCENT LIGHTS.

FOR ELECTRICAL  
TORQUE  
SPECIFICATIONS  
SEE DWG NO.  
128783-01-000

FOR  
ELECTRICAL  
CALLOUTS  
SEE DWG NO.  
121339-01-000

- 265 CODES/STANDARDS-CSA/CMVSS
- 1B1 CODES/STANDARDS USA
- 1B1 265

FIRST USED	
<b>13 R-SERIES</b>	
DO NOT SCALE DRAWING	
TITLE: <b>WIRING INSTL-TV/DVD</b>	
SHEET 5	PART NO <b>181887</b> REV



1 CLEAN AND APPLY ADHESIVE PROMOTER 87211-01-000 TO BOTH SURFACES AND BOND WHERE TOP FLANGE OF BRACKET CONTACTS PLASTIC TV BEZEL.

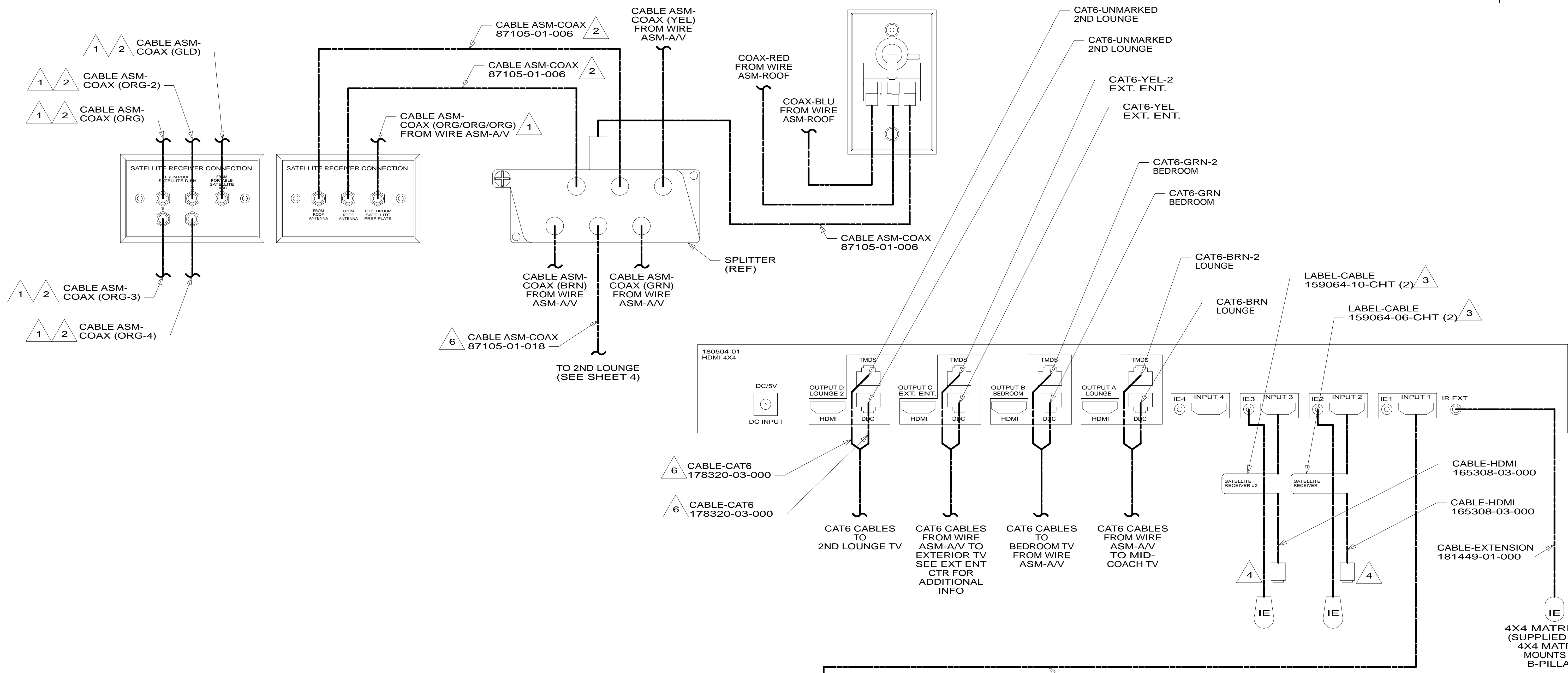
FOR ELECTRICAL TORQUE SPECIFICATIONS SEE DWG NO. 128783-01-000

FOR ELECTRICAL CALLOUTS SEE DWG NO. 121339-01-000

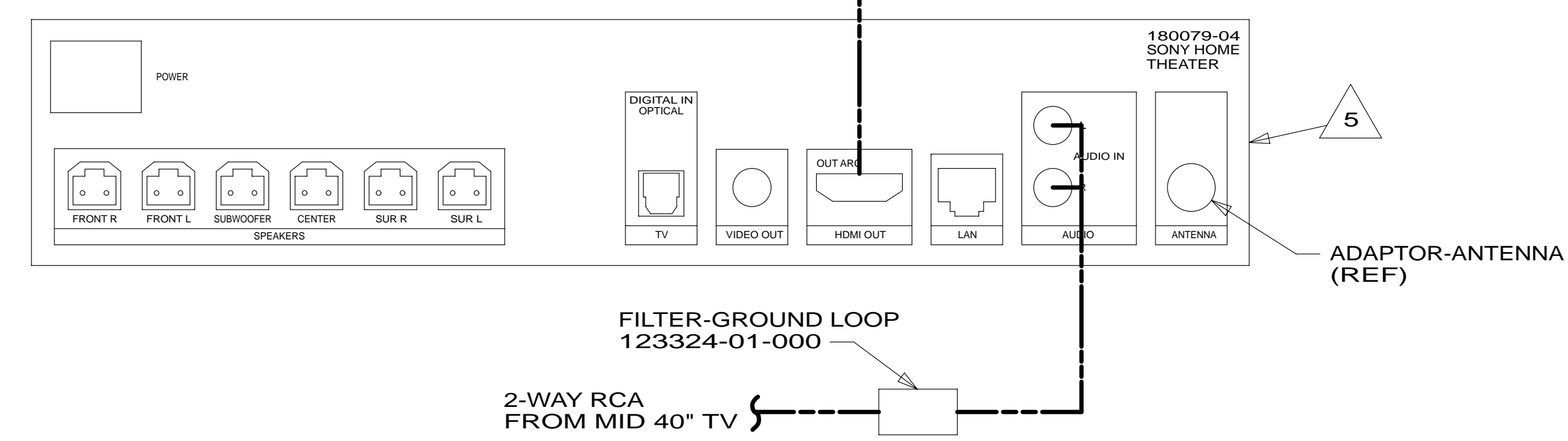
- 265 CODES/STANDARDS-CSA/CMVSS
- 1B1 CODES/STANDARDS USA
- 1B1 265

FIRST USED	
<b>13 R-SERIES</b>	
DO NOT SCALE DRAWING	
TITLE: <b>WIRING INSTL-TV/DVD</b>	
SHEET 6	PART NO <b>181887</b> REV

\* 181887



- NOTES:**
- 6 ONLY R42GD WITH 68D
  - 5 SET DVD/BLU-RAY PLAYER TO AUDIO ON HDMI AND MAX VIDEO OUTPUT RESOLUTION TO 1080i.
  - 4 COIL CABLE IN SATELLITE PREP AREA FOR FUTURE USE.
  - 3 ATTACH LABEL 100 MM FROM EACH END OF CABLE AND 400 MM FROM THE END OF THE IR EMMITTER CABLE.
  - 2 CABLE CONNECTS TO REAR SIDE OF PLATE.
  - 1 CABLE ROUTED IN ROOF.



- 68D TV-40" COLOR, STEREO W/REMOTE
- 265 CODES/STANDARDS-CSA/CMVSS
- 1B1 CODES/STANDARDS USA

1B1	265	21R	1H5
<b>13 R-SERIES</b>			
DO NOT SCALE DRAWING			
TITLE: <b>WIRING INSTL-TV/DVD</b>			
SHEET 7	PART NO	<b>181887</b>	REV

FOR ELECTRICAL TORQUE SPECIFICATIONS SEE DWG NO. 128783-01-000

FOR ELECTRICAL CALLOUTS SEE DWG NO. 121339-01-000

VIEW DA

\* 181887