



**DANGER**

**Danger of electrical shock, burns or death.** Always remove all power sources before attempting any repair, service or diagnostic work. Power can be present from shore power, generator, inverter or battery. All power sources must be disabled and secured before performing any service.

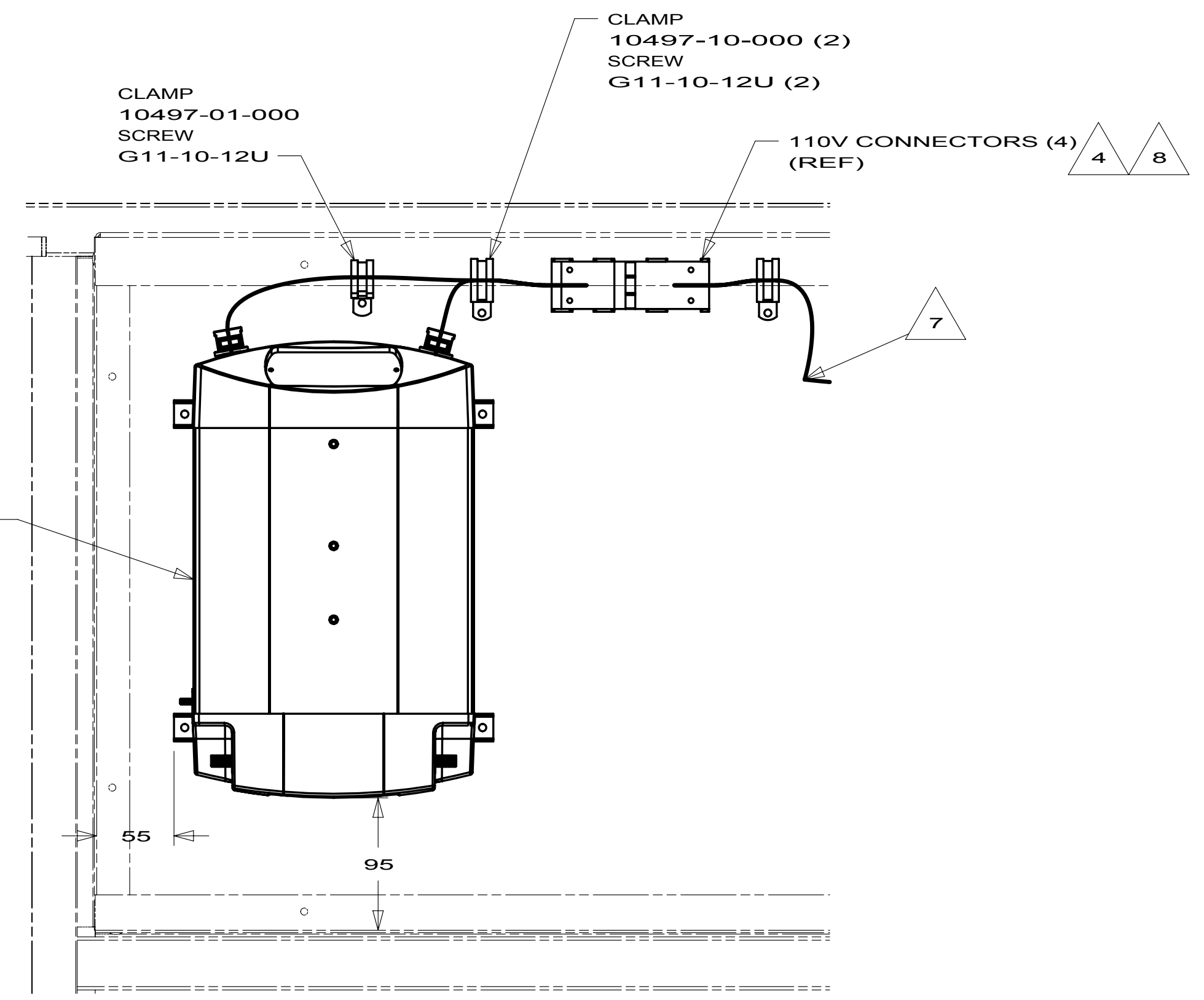


**CAUTION**

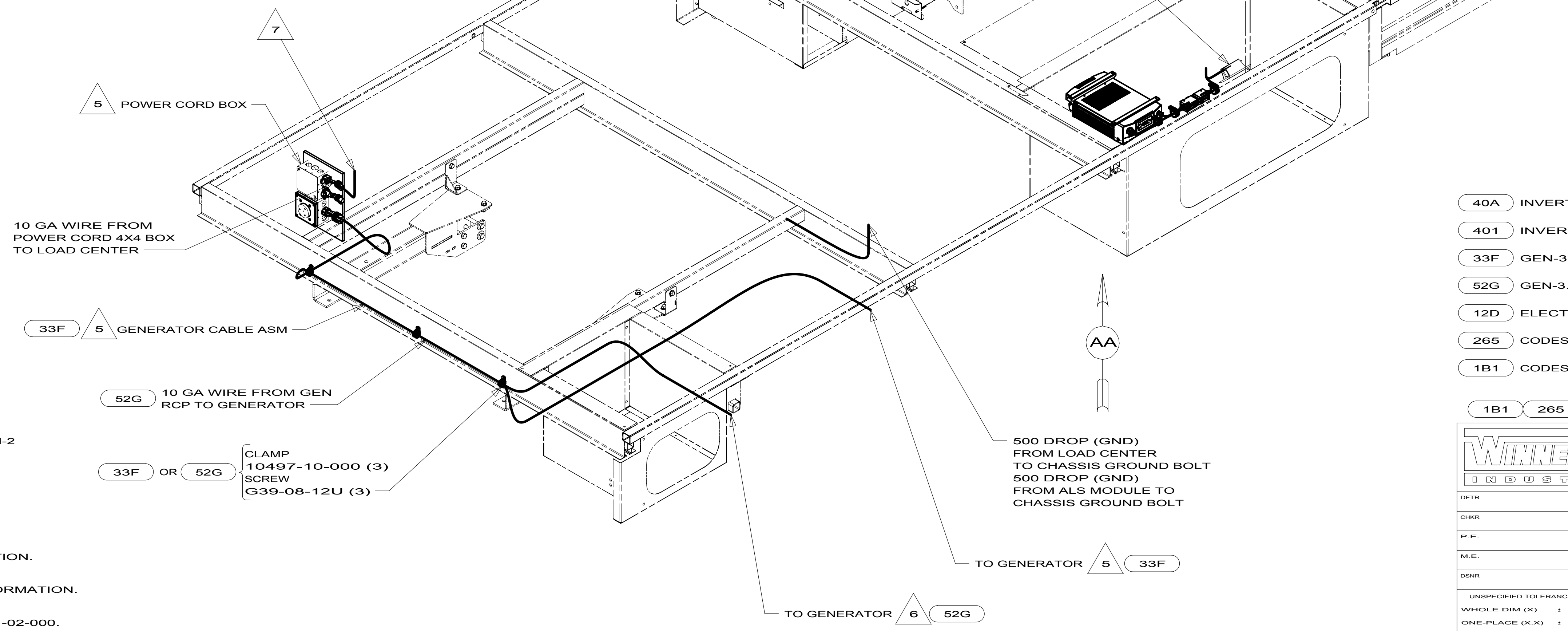
If you lack the skills, tools or equipment to perform diagnostic or repair work leave such work to an authorized Winnebago Industries dealer or other qualified shop.

DRAWING NO.	FEATURE
181759-01	-----
181759-11	1B1 12D
181759-15	265 12D

RELEASE	REV DATE	DWG NO	181759
REV ZONE	REVISION RECORD	DATE	DTR-ORIG



VIEW AA 401



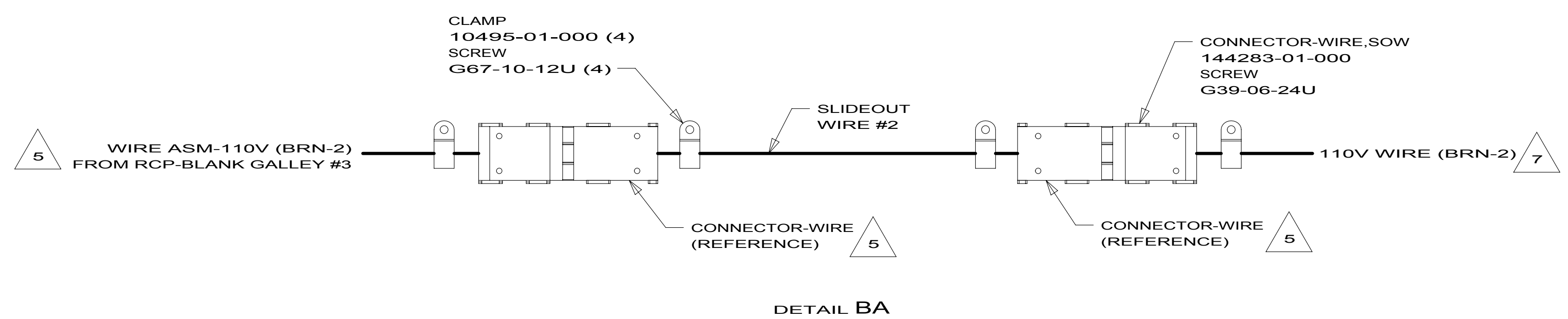
- NOTES:
- 8 LEAVE WIRES ABOVE FLOOR AND CONNECT BRN AND BRN-2 110V CONNECTORS TOGETHER WITH OPTION 40A
  - 7 WIRE ROUTED THROUGH FLOOR AT THIS POINT.
  - 6 SEE GENERATOR INSTL FOR ADDITIONAL INFORMATION.
  - 5 SEE LOAD CENTER/ATS ASM FOR ADDITIONAL INFORMATION.
  4. SEE WIRING DIAGRAM-BODY,110V FOR ADDITIONAL INFORMATION.
  3. ALL GROUND WIRE TO BE COVERED WITH TUBING 8041-02-000.
  2. ALL 110V WIRE TO BE CLAMPED WITH CLAMP 10497-05-000 WITHIN 200MM OF OUTLET BOXES, USE SCREW G67-10-12U.
  1. ALL WIRES TO BE SECURED WITH CLAMP 10495-01-000 OR CLIP 80734-01-000 EVERY 600MM. USE SCREW G67-10-12U UNLESS OTHERWISE SPECIFIED.

- 40A INVERTER-DC/AC WITHOUT
- 401 INVERTER-DC/AC, 1000 WATT
- 33F GEN-3.5 KW ONAN DIESEL
- 52G GEN-3.6KW ONAN LP MICROQUIET
- 12D ELECTRICAL SYSTEM 30 AMP
- 265 CODES/STANDARDS-CSA/CMVSS
- 1B1 CODES/STANDARDS USA

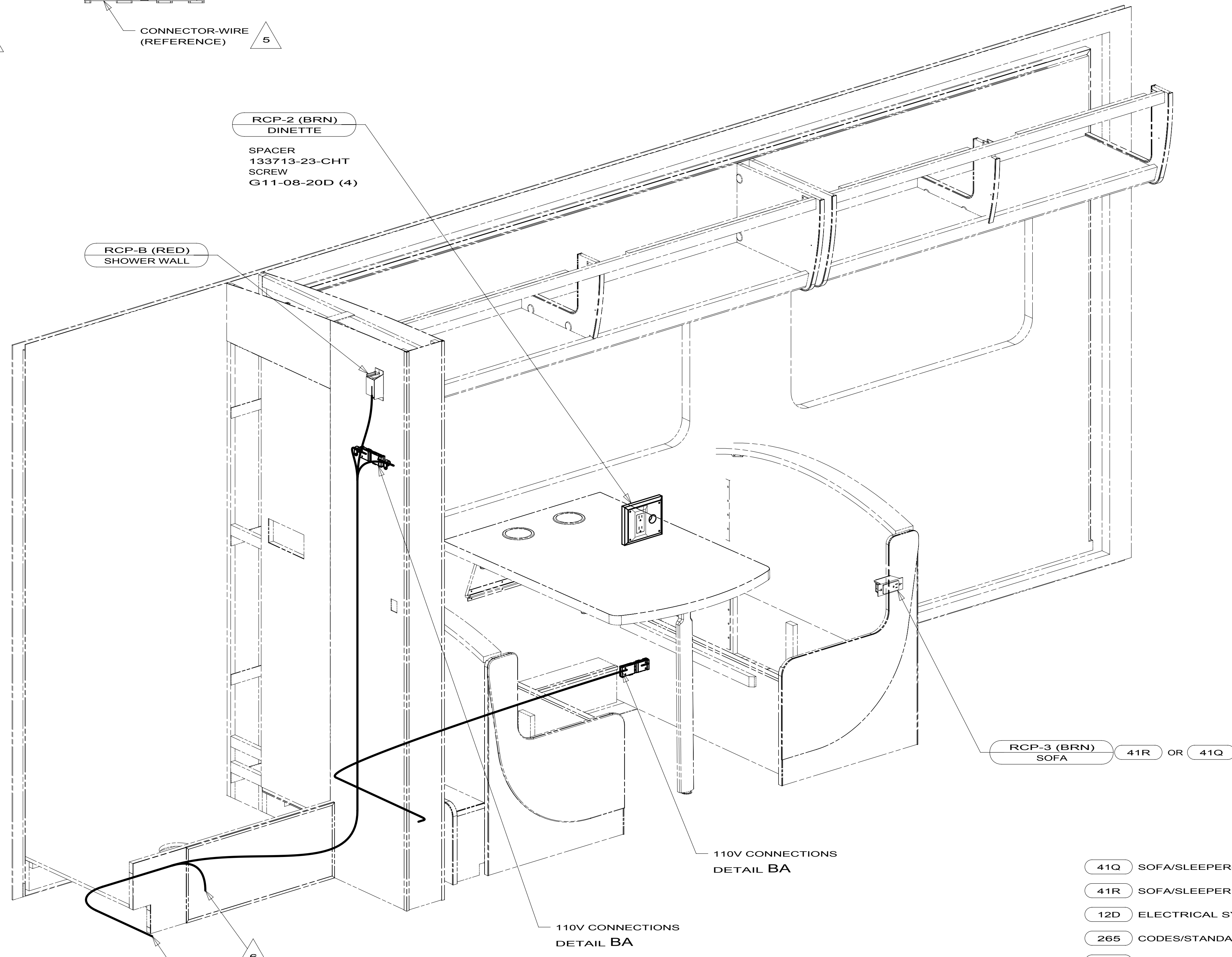
<b>WINNEBAGO</b> INDUSTRIES		COPYRIGHT 2011 WINNEBAGO INDUSTRIES, INC.	
DTR	ORIG. DATE	<b>13 524M</b>	
CHKR	ALL DIMENSIONS ARE IN MILLIMETERS		
P.E.	FIRST USED		
M.E.			
DSNR			
UNSPECIFIED TOLERANCES ARE:		MATERIAL:	
WHOLE DIM (X)	: 3		
ONE-PLACE (X.X)	: 1.5		
TWO-PLACE (X.XX)	: 0.50		
ANGLE	: 1°		
THIRD ANGLE PROJECTION			
DO NOT SCALE DRAWING		REFER TO ES0018 FOR FASTENER TIGHTENING GUIDELINES	
TITLE: <b>WIRING INSTL-BODY,110V</b>			
SHEET 1 OF 3	PART NO	181759	
REF:	1	2/23/2012	

FOR ELECTRICAL TORQUE SPECIFICATIONS SEE DWG NO. 128783-01-000

FOR ELECTRICAL CALLOUTS SEE DWG NO. 121339-01-000



DETAIL BA



- 7 WIRE IN SIDEWALL.
- 6 WIRE ROUTED THROUGH FLOOR AT THIS POINT.
- 5 SEE LOAD CENTER/ATS ASM FOR ADDITIONAL INFORMATION.
- 4. SEE WIRING DIAGRAM-BODY,110V FOR ADDITIONAL INFORMATION.
- 3. ALL GROUND WIRE TO BE COVERED WITH TUBING 8041-02-000.
- 2. ALL 110V WIRE TO BE CLAMPED WITH CLAMP 10497-05-000 WITHIN 200MM OF OUTLET BOXES, USE SCREW G67-10-12U.
- 1. ALL WIRES TO BE SECURED WITH CLAMP 10495-01-000 OR CLIP 80734-01-000 EVERY 600MM. USE SCREW G67-10-12U UNLESS OTHERWISE SPECIFIED.

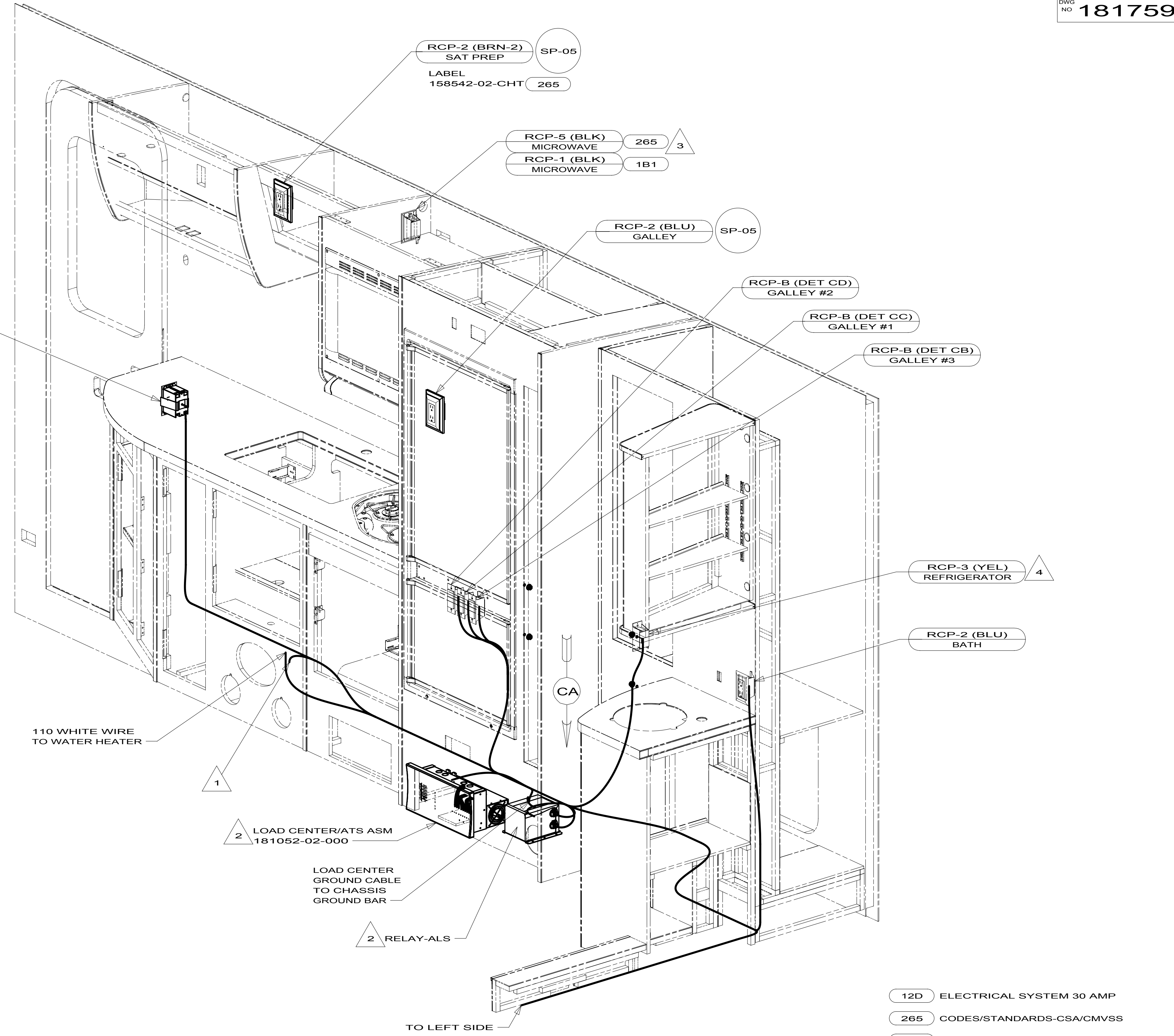
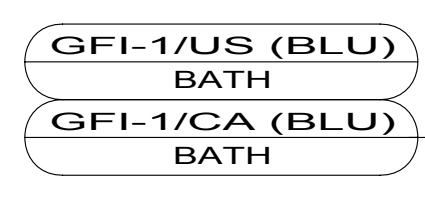
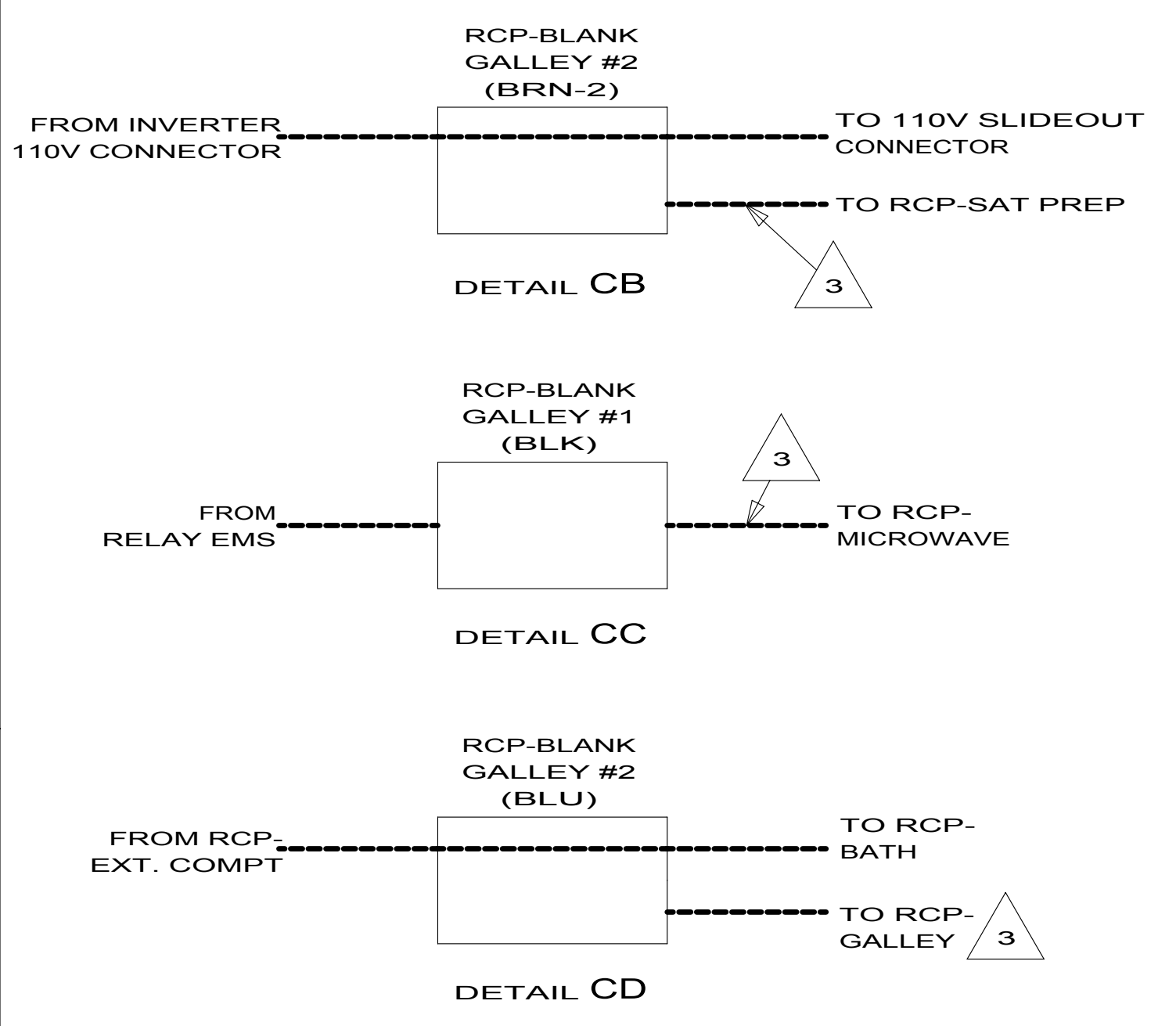
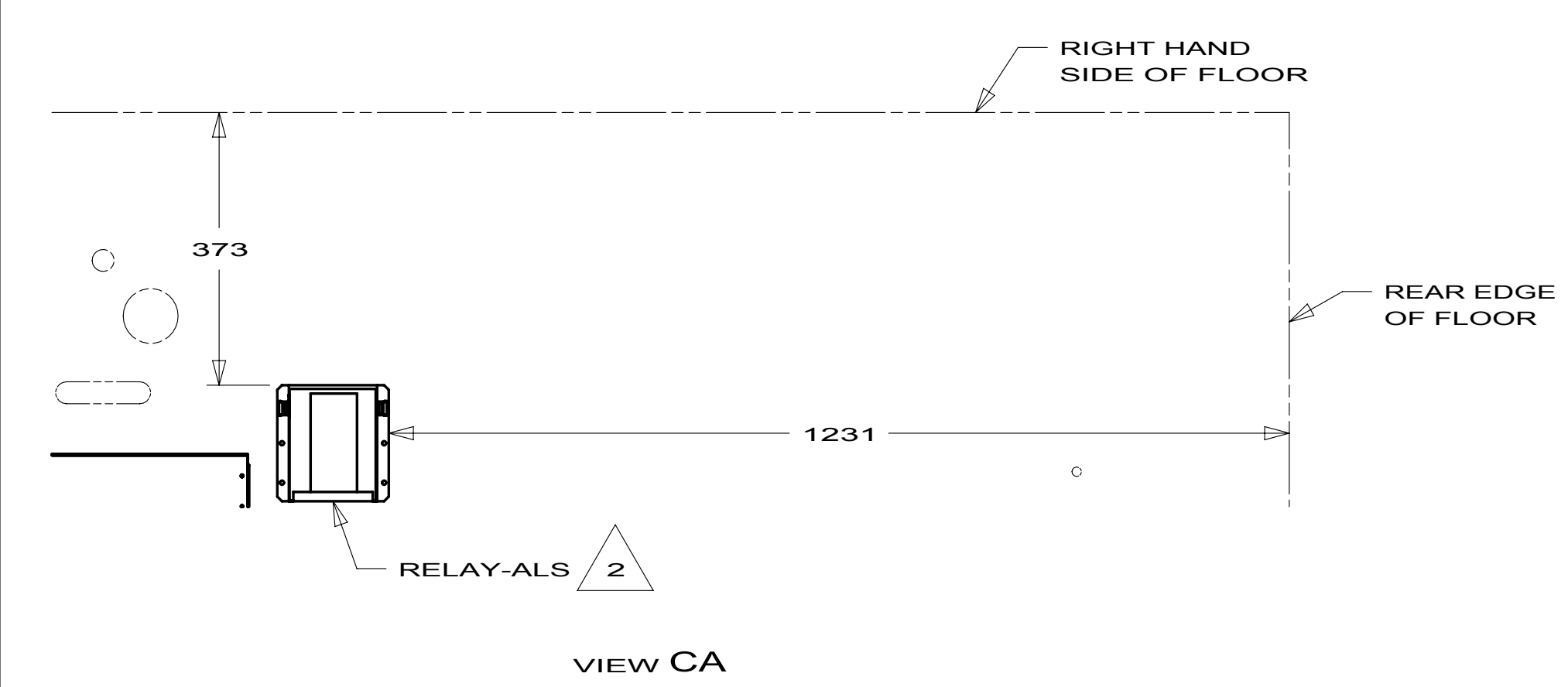
NOTES:

FOR ELECTRICAL TORQUE SPECIFICATIONS SEE DWG NO. 128783-01-000

FOR ELECTRICAL CALLOUTS SEE DWG NO. 121339-01-000

- 41Q SOFA/SLEEPER-ULTRALEATHER
- 41R SOFA/SLEEPER
- 12D ELECTRICAL SYSTEM 30 AMP
- 265 CODES/STANDARDS-CSA/CMVSS
- 1B1 CODES/STANDARDS USA

FIRST USED		<b>13 524M</b>	
DO NOT SCALE DRAWING			
TITLE: <b>WIRING INSTL-BODY, 110V</b>			
SHEET 2	PART NO	<b>181759</b>	REV



- 6. ALL 110V WIRE TO BE CLAMPED WITH CLAMP 10497-05-000 WITHIN 200MM OF OUTLET BOXES, USE SCREW G67-10-12U.
- 5. ALL WIRES TO BE SECURED WITH CLAMP 10495 OR 10497 OR WIRE TIE 8343 OR 108046 EVERY 600MM, USE SCREW G67-XX-XXX OR G56-XX-XXX AS APPROPRIATE FOR INSTALLATION.

- 4 LOCATE REFRIGERATOR RCP SO THAT RCP IS ACCESSIBLE FROM REFRIGERATOR VENT AND AWAY FROM REFRIGERATOR COILS. SECURE REFRIGERATOR POWER CORD AWAY FROM COILS USING WIRE TIE.
- 3 WIRE ROUTED IN SIDEWALL.
- 2 LOAD CENTER GROUND WIRES MUST BE ATTACHED DIRECTLY TO CHASSIS GROUND.
- 1 WIRE ROUTED THROUGH FLOOR IN THIS AREA.

- 12D ELECTRICAL SYSTEM 30 AMP
- 265 CODES/STANDARDS-CSA/CMVSS
- 1B1 CODES/STANDARDS USA

FIRST USED	
<b>13 524M</b>	
DO NOT SCALE DRAWING	
TITLE: <b>WIRING INSTL-BODY, 110V</b>	
SHEET 3	PART NO. <b>181759</b> REV

FOR ELECTRICAL TORQUE SPECIFICATIONS SEE DWG NO. 128783-01-000

FOR ELECTRICAL CALLOUTS SEE DWG NO. 121339-01-000