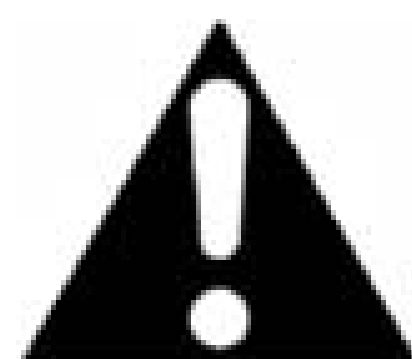




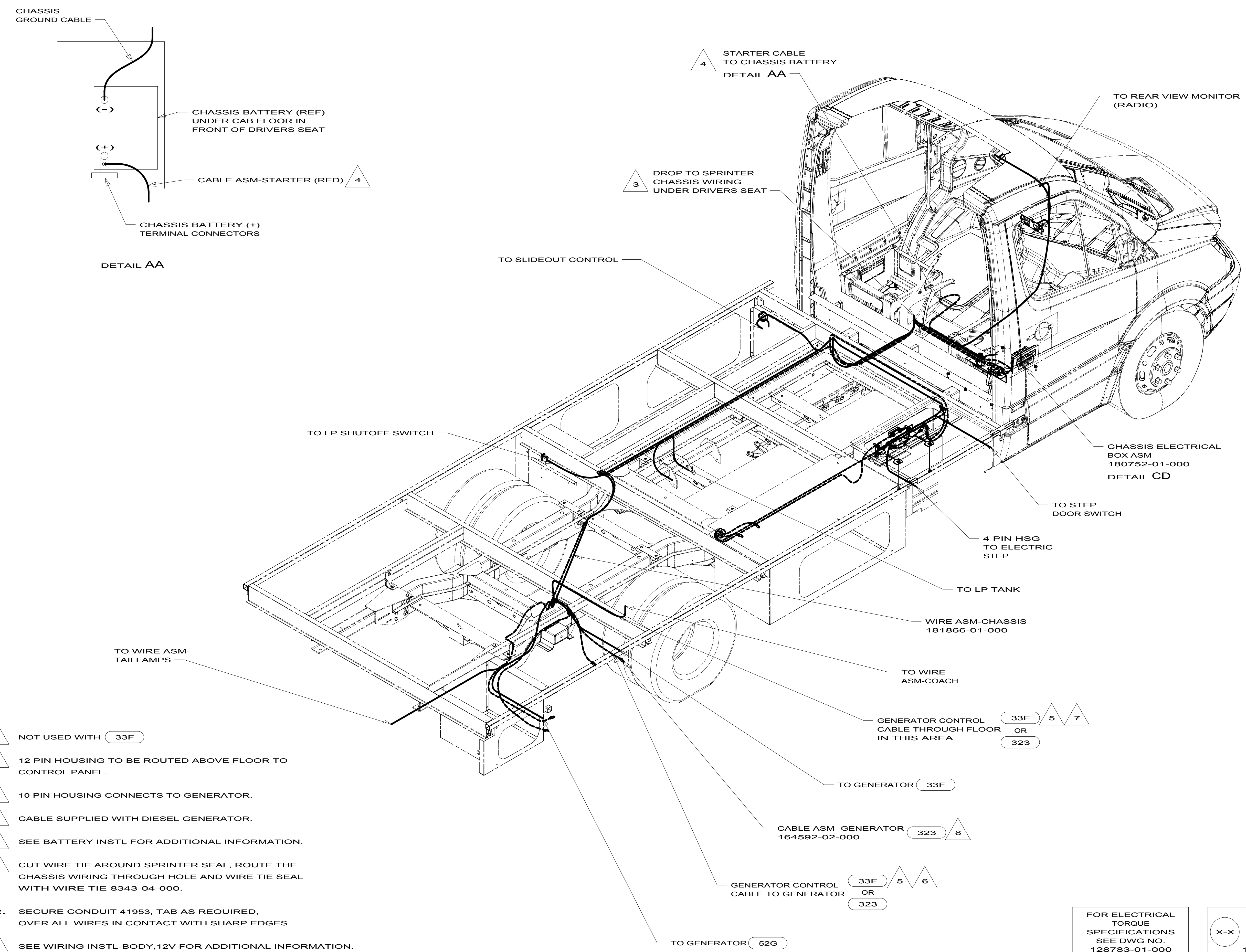
DANGER

Danger of electrical shock, burns or death. Always remove all power sources before attempting any repair, service or diagnostic work. Power can be present from shore power, generator, inverter or battery. All power sources must be disabled and secured before performing any service.



CAUTION

If you lack the skills, tools or equipment to perform diagnostic or repair work leave such work to an authorized Winnebago Industries dealer or other qualified shop.



- 8 NOT USED WITH 33F
- 7 12 PIN HOUSING TO BE ROUTED ABOVE FLOOR TO CONTROL PANEL.
- 6 10 PIN HOUSING CONNECTS TO GENERATOR.
- 5 CABLE SUPPLIED WITH DIESEL GENERATOR.
- 4 SEE BATTERY INSTL FOR ADDITIONAL INFORMATION.
- 3 CUT WIRE TIE AROUND SPRINTER SEAL, ROUTE THE CHASSIS WIRING THROUGH HOLE AND WIRE TIE SEAL WITH WIRE TIE 8343-04-000.
2. SECURE CONDUIT 41953, TAB AS REQUIRED, OVER ALL WIRES IN CONTACT WITH SHARP EDGES.
- 1 SEE WIRING INSTL-BODY, 12V FOR ADDITIONAL INFORMATION.

- 323 GENERATOR PREP KIT - DIESEL
- 33F GEN-3.5 KW ONAN DIESEL
- 52G GEN-3.6KW ONAN LP MICROQUIET
- 1MD MERCEDES-11,030# GVWR,DIESEL
- 265 CODES/STANDARDS-CSA/CMVSS
- 1B1 CODES/STANDARDS USA

1B1 265 1MD

WINNEBAGO INDUSTRIES

COPYRIGHT 2011 WINNEBAGO INDUSTRIES, INC.

DFTR	ORIG. DATE
CHKR	ALL DIMENSIONS ARE IN MILLIMETERS
P.E.	
M.E.	FIRST USED
DSNR	13 524M

UNSPECIFIED TOLERANCES ARE:

WHOLE DIM (X)	: 3
ONE-PLACE (X.X)	: 1.5
TWO-PLACE (X.XX)	: 0.50
ANGLE	: 1°

THIRD ANGLE PROJECTION

DO NOT SCALE DRAWING REFER TO ES0018 FOR FASTENER TIGHTENING GUIDELINES

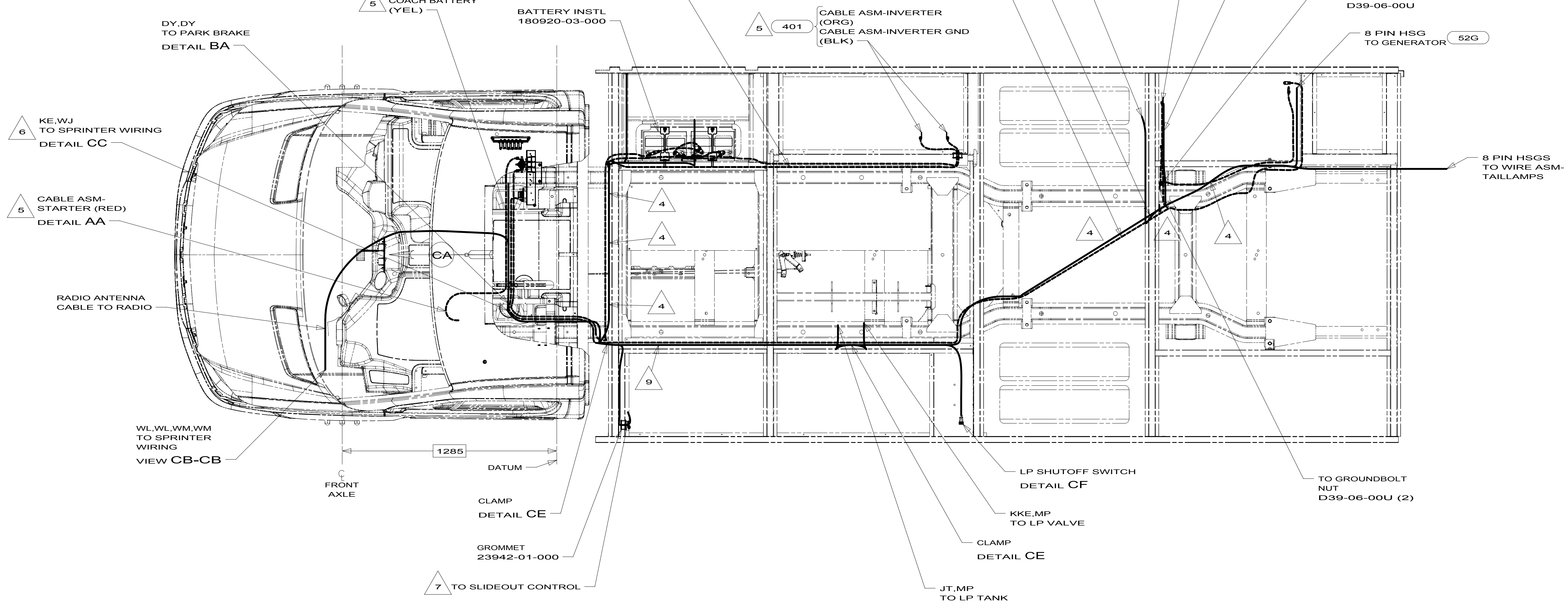
TITLE: **WIRING INSTL-CHASSIS**

SHEET 1 OF 3 PART NO 181757 REV

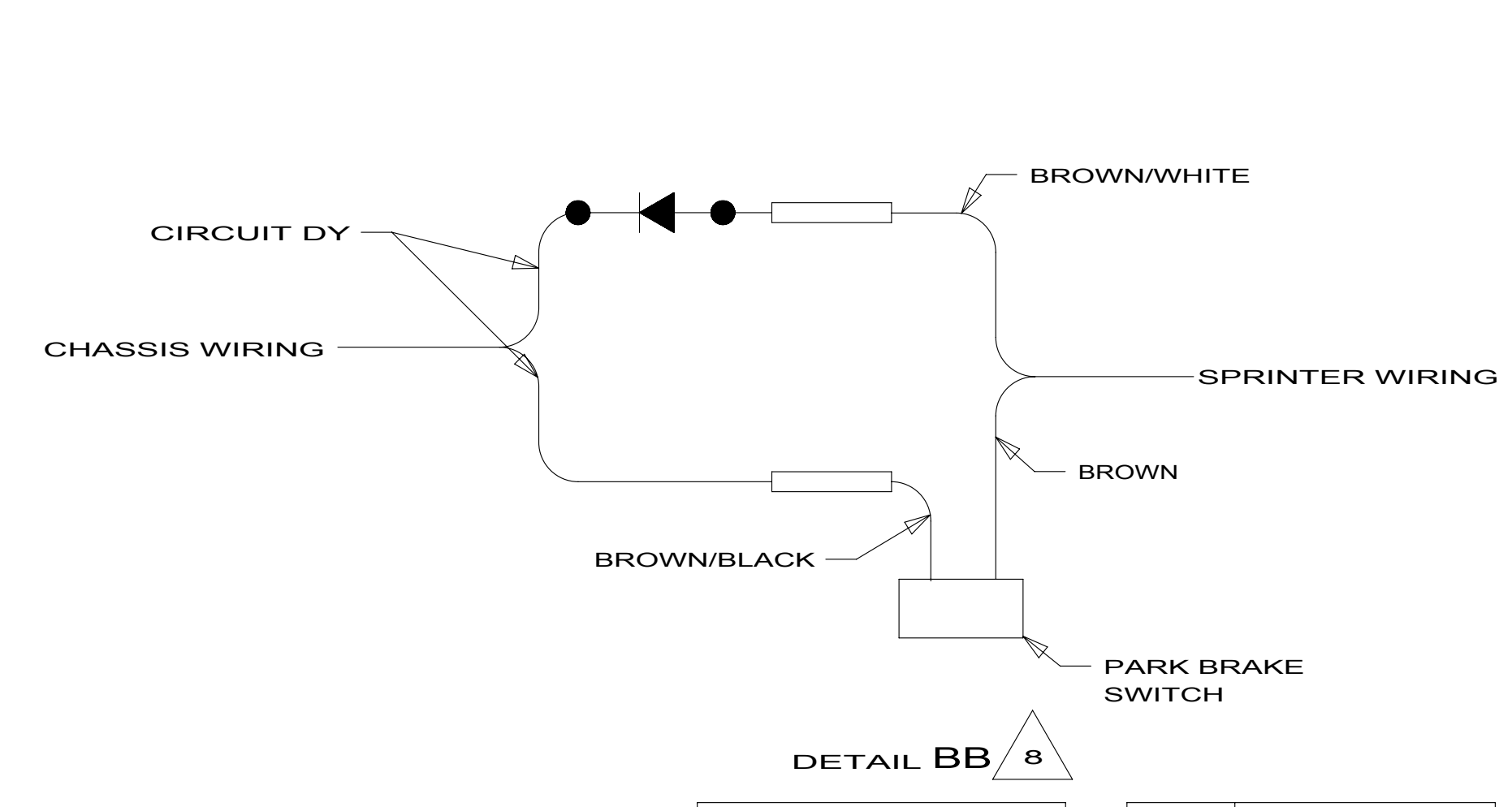
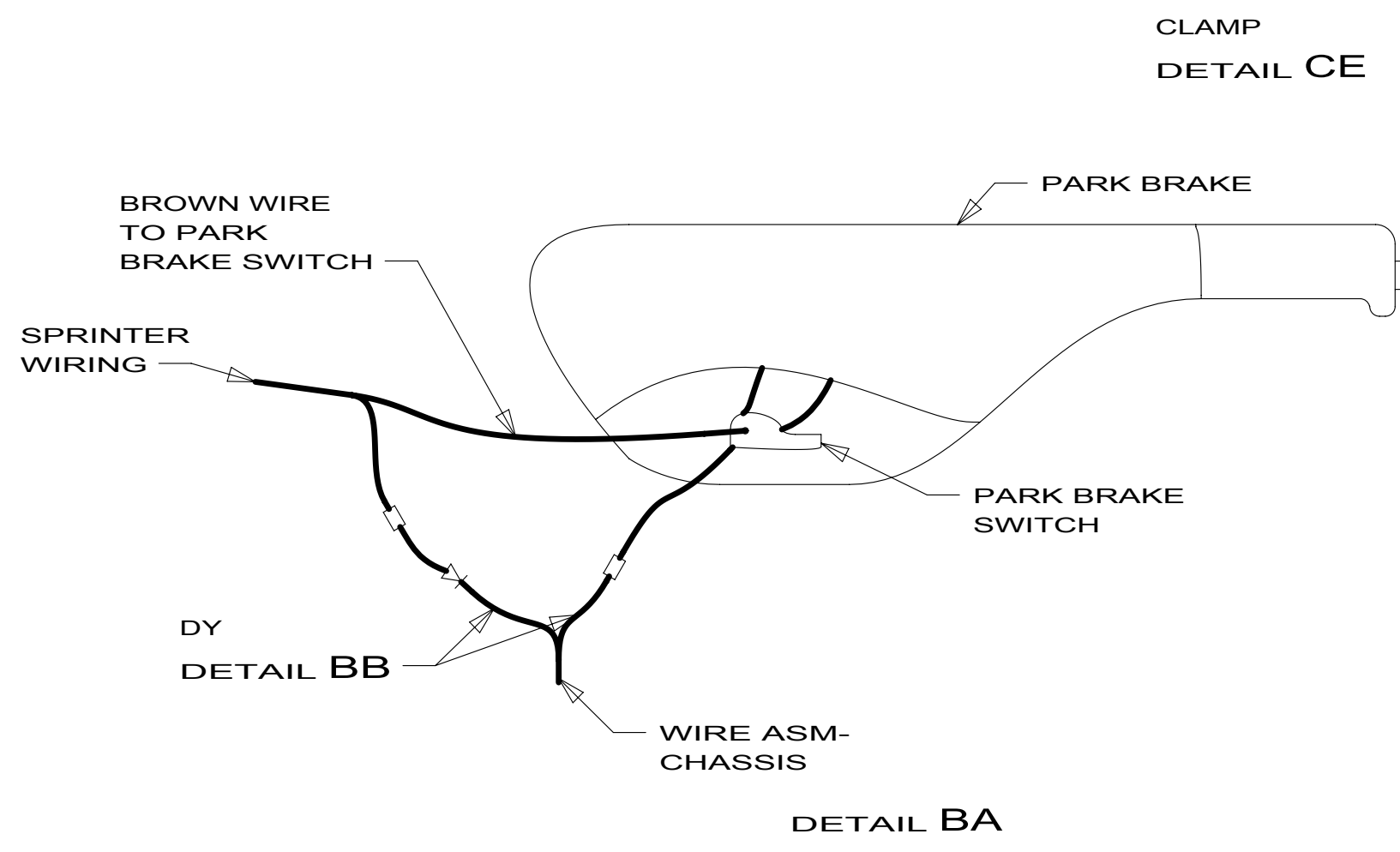
FOR ELECTRICAL TORQUE SPECIFICATIONS SEE DWG NO. 128783-01-000

FOR ELECTRICAL CALLOUTS SEE DWG NO. 121339-01-000

8 7 6 5 4 3 2 1



- 10** TIE-WIRE MOUNT 8343-04-000. USE HOLES IN BODY MOUNTS.
 - 9** TIE-WIRE MOUNT 8343-04-000. USE HOLES IN SLIDEOUT MOUNTING TRAY.
 - 8** CUT BROWN/BLACK WIRE FROM PARK BRAKE SWITCH AND RECONNECT TO CIRCUIT DY OF WIRE ASM-CHASSIS AS SHOWN.
 - 7** SEE WIRING INSTL-BODY,12V FOR ADDITIONAL INFORMATION.
 - 6** ROUTE WIRES THROUGH CAB FLOOR UNDER DRIVERS SEAT PEDESTAL.
 - 5** SEE BATTERY INSTL FOR ADDITIONAL INFORMATION.
 - 4** CLAMP 83610-02-000, SCREW G39-08-12B. DO NOT DRILL OR SCREW INTO SPRINTER FRAME. USE ALUMINUM RISERS.
 - 3** TIE WIRE MOUNT WIRE TIE TO CHASSIS CROSS MEMBER.
- 2.** SECURE CONDUIT 41953, TAB AS REQUIRED, OVER ALL WIRES IN CONTACT WITH SHARP EDGES.
- 1** CABLE SUPPLIED WITH DIESEL GENERATOR WITH **33F**



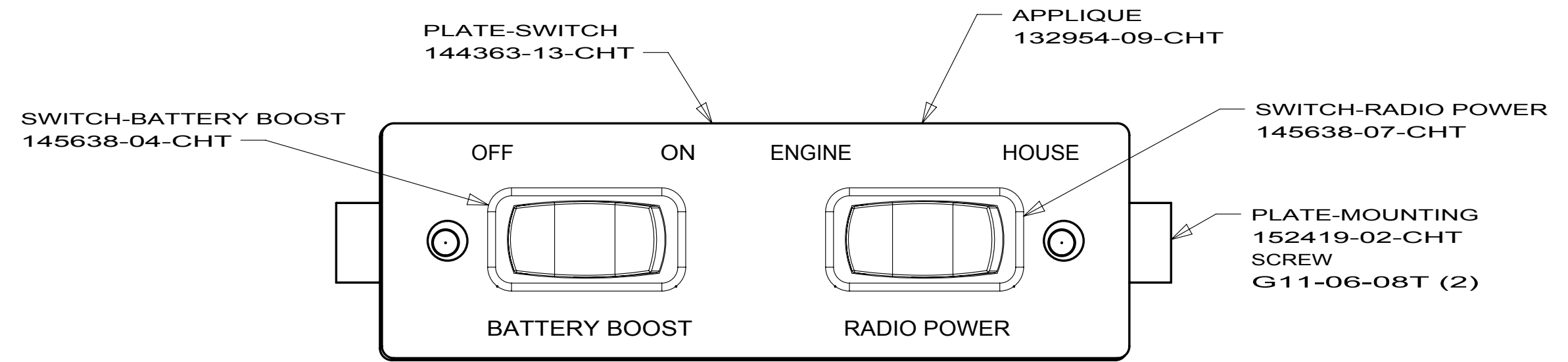
- 401** INVERTER-DC/AC, 1000 WATT
- 323** GENERATOR PREP KIT - DIESEL
- 33F** GEN-3.5 KW ONAN DIESEL
- 52G** GEN-3.6KW ONAN LP MICROQUIET
- 1MD** MERCEDES-11,030# GVWR,DIESEL
- 265** CODES/STANDARDS-CSA/CMVSS
- 1B1** CODES/STANDARDS USA

FIRST USED		
13 524M		
DO NOT SCALE DRAWING		
TITLE: WIRING INSTL-CHASSIS		
SHEET 2	PART NO. 181757	REV

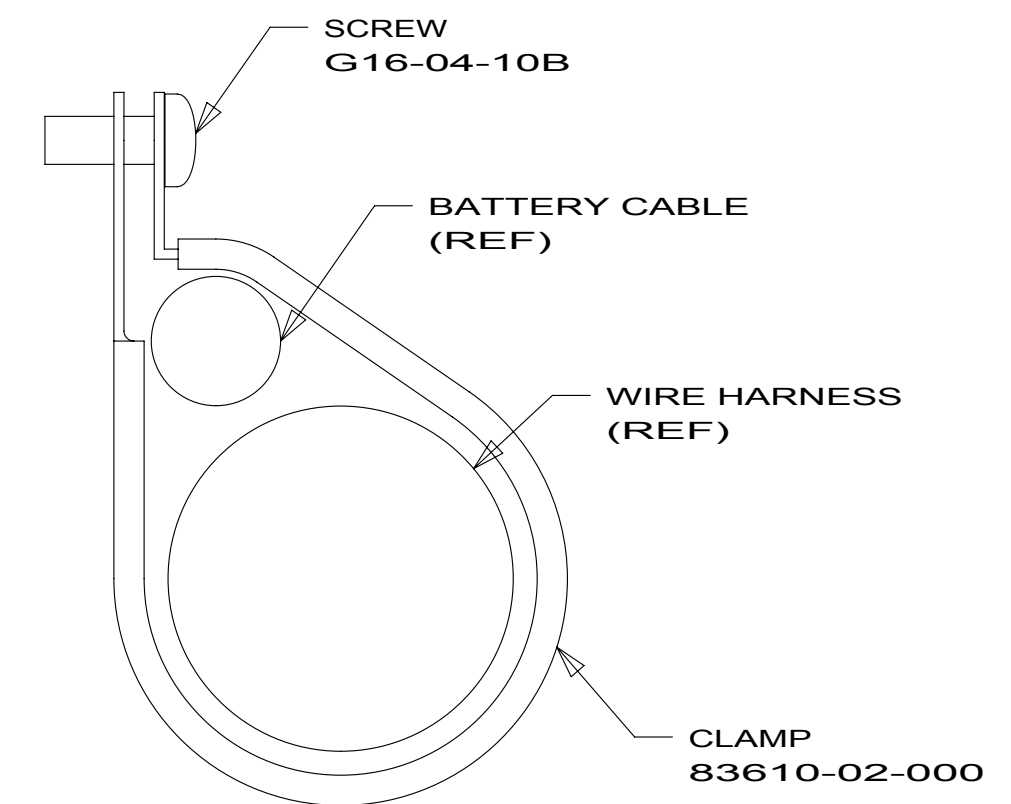
FOR ELECTRICAL TORQUE SPECIFICATIONS SEE DWG NO. 128783-01-000

FOR ELECTRICAL CALLOUTS SEE DWG NO. 121339-01-000

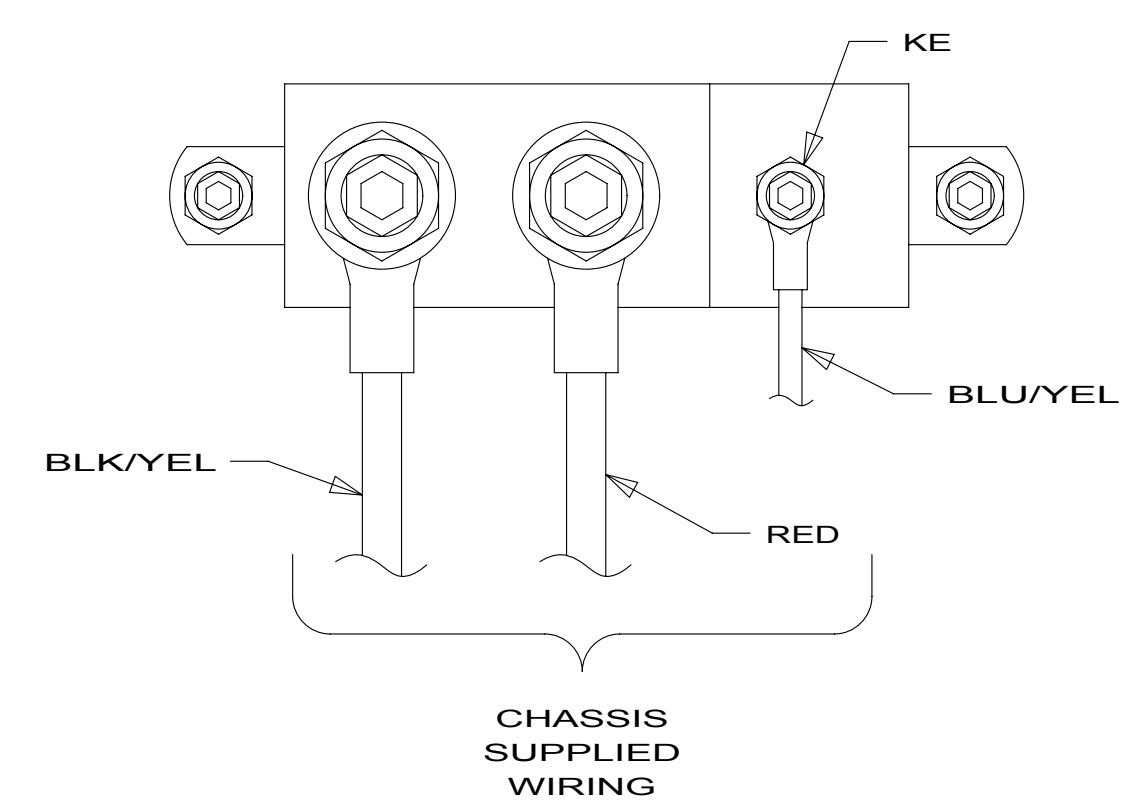
8 7 6 5 4 3 2 1



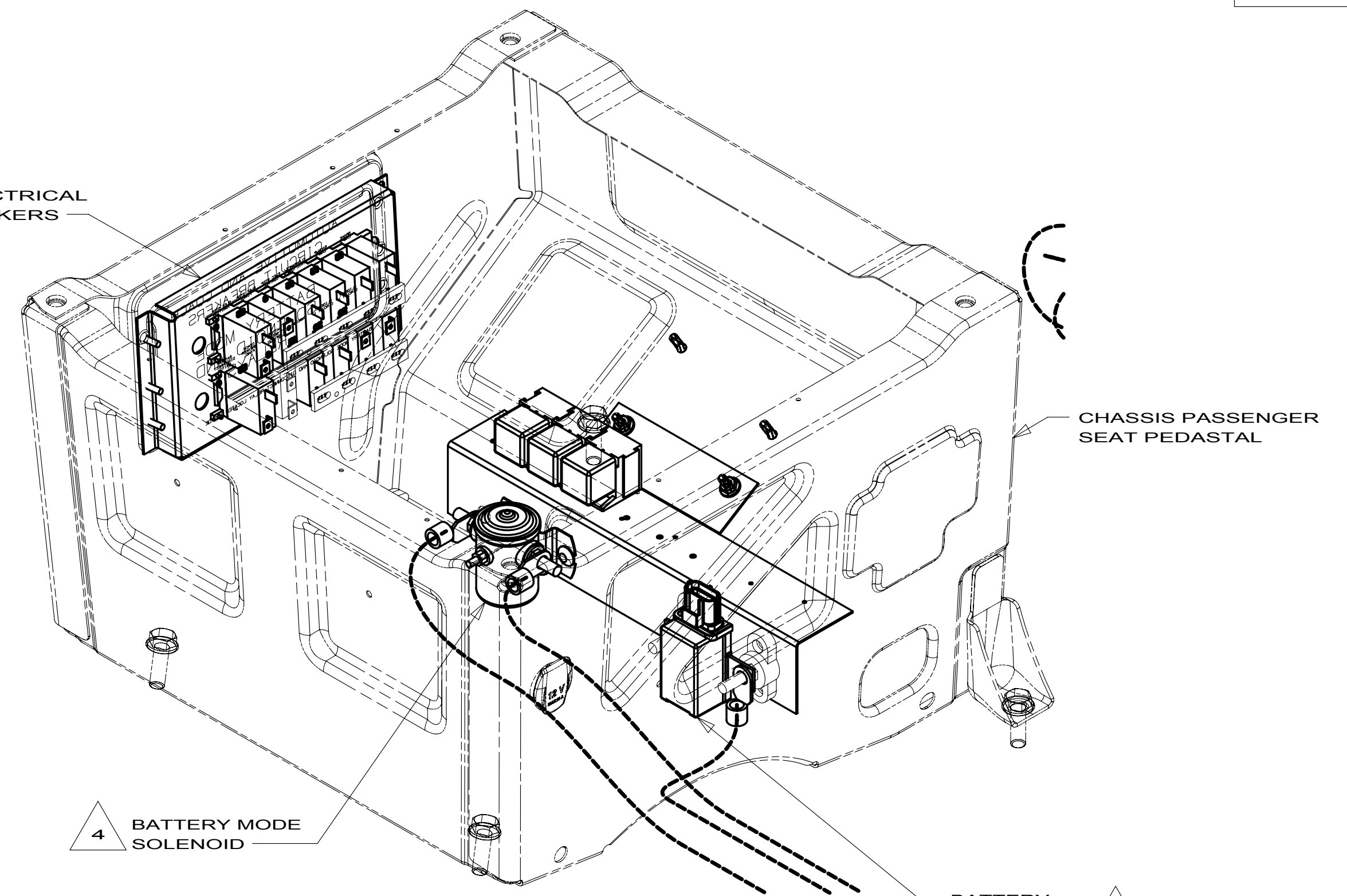
DETAIL CA



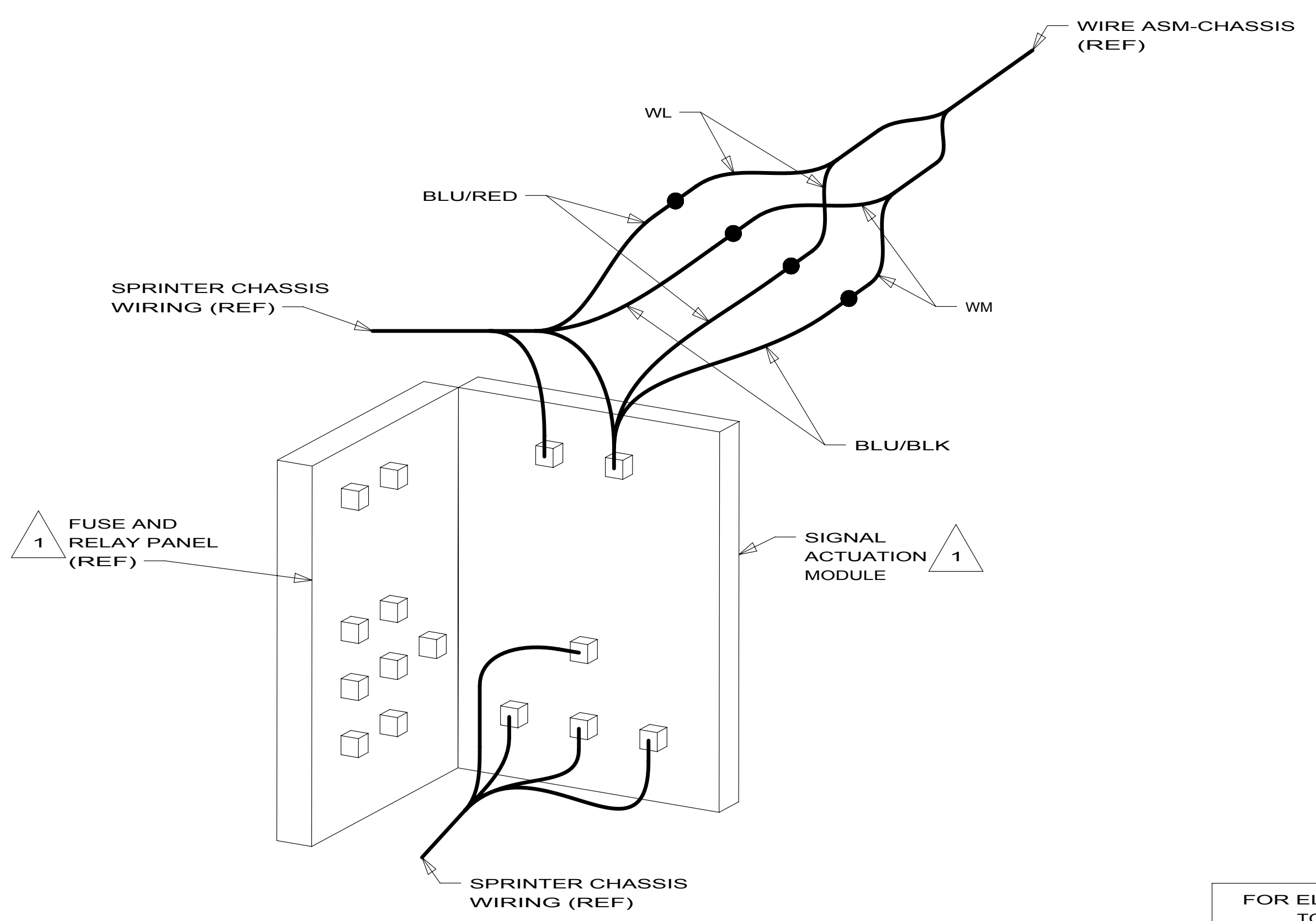
DETAIL CE (6 PLACES)



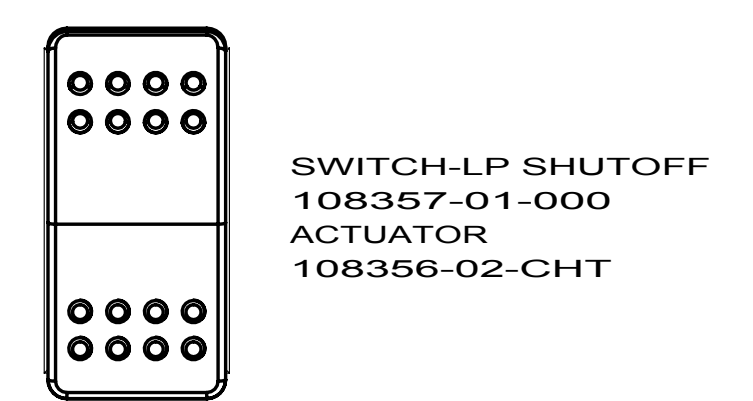
DETAIL CC 3



DETAIL CD



VIEW CB-CB



DETAIL CF

- NOTES:
- 4 SEE CHASSIS ELECTRICAL BOX ASM FOR ADDITIONAL INFORMATION.
 - 3 CONNECTION POINT IS LOCATED UNDER DRIVERS SEAT.
 - 2. SECURE CONDUIT 41953, TAB AS REQUIRED, OVER ALL WIRES IN CONTACT WITH SHARP EDGES.
 - 1 LOCATED IN DRIVERS SIDE KICKER PANEL.

FOR ELECTRICAL TORQUE SPECIFICATIONS SEE DWG NO. 128783-01-000

FOR ELECTRICAL CALLOUTS SEE DWG NO. 121339-01-000

- 1MD MERCEDES-11.030# GVWR,DIESEL
- 265 CODES/STANDARDS-CSA/CMVSS
- 1B1 CODES/STANDARDS USA

FIRST USED	
13 524M	
DO NOT SCALE DRAWING	
TITLE: WIRING INSTL-CHASSIS	
SHEET 3	PART NO. 181757 REV