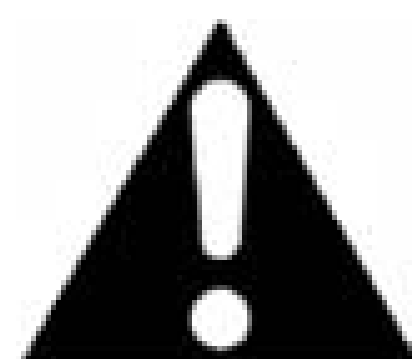




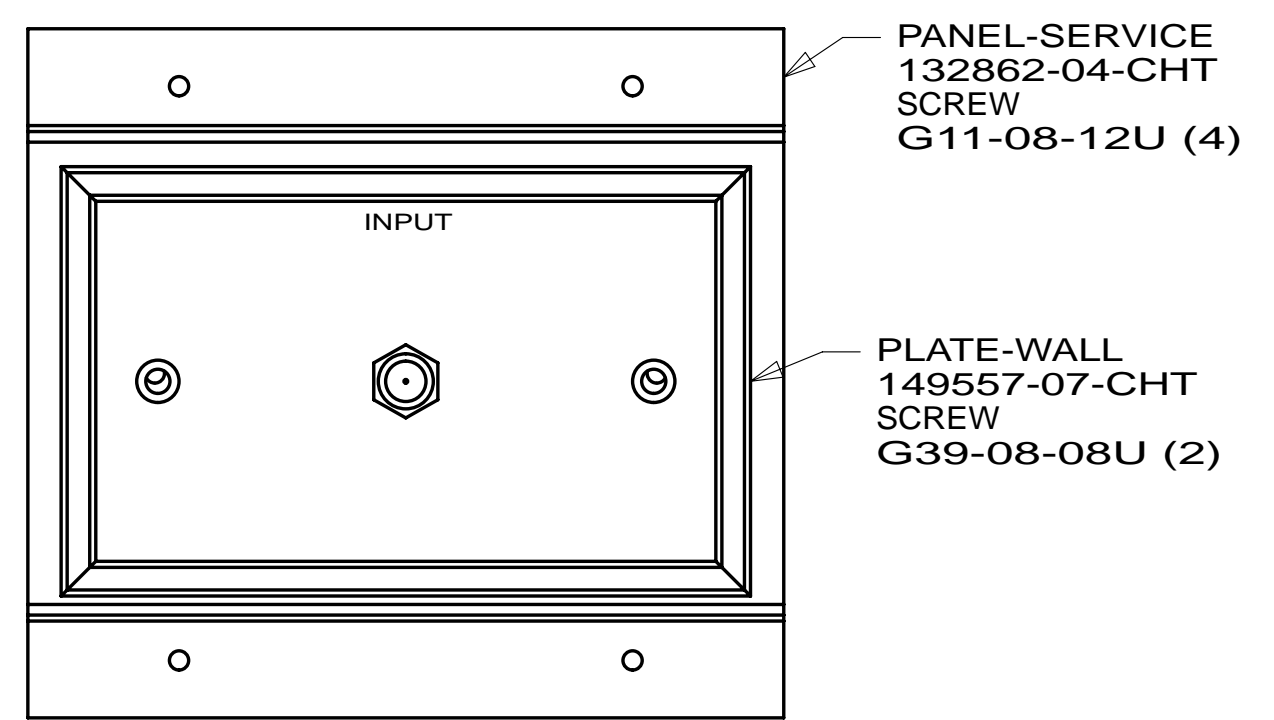
DANGER

Danger of electrical shock, burns or death. Always remove all power sources before attempting any repair, service or diagnostic work. Power can be present from shore power, generator, inverter or battery. All power sources must be disabled and secured before performing any service.

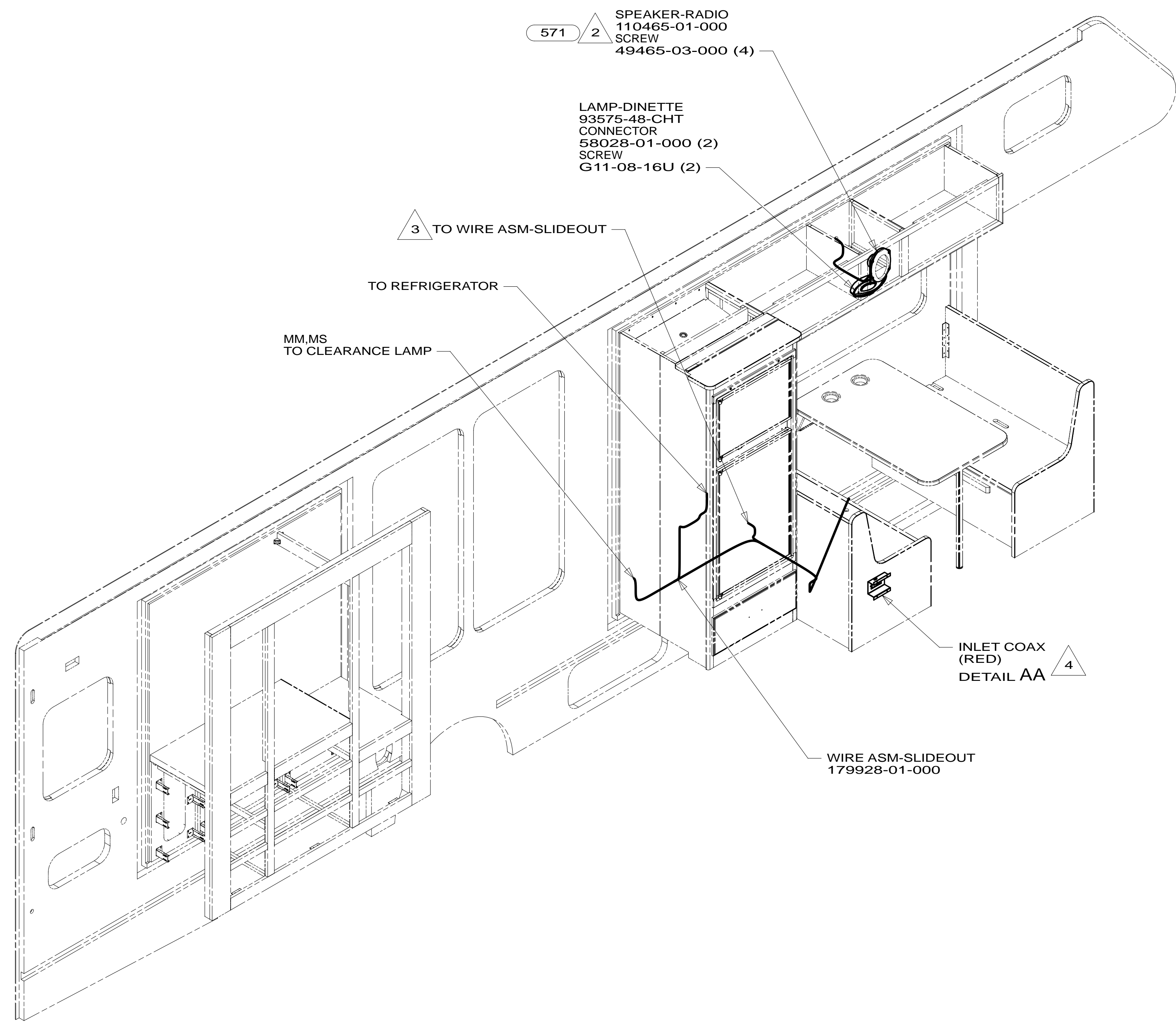


CAUTION

If you lack the skills, tools or equipment to perform diagnostic or repair work leave such work to an authorized Winnebago Industries dealer or other qualified shop.



DETAIL AA



- 571 RADIO SPEAKERS
- 265 CODES/STANDARDS-CSA/CMVSS
- 1B1 CODES/STANDARDS USA

1B1 265

WINNEBAGO INDUSTRIES, INC. COPYRIGHT 2011

DFT-ORIG	ORIG. DATE
CHKR	ALL DIMENSIONS ARE IN MILLIMETERS
P.E.	
M.E.	FIRST USED
DSNR	13 231R/P

UNSPECIFIED TOLERANCES ARE:

WHOLE DIM (X)	: 3
ONE-PLACE (X.X)	: 1.5
TWO-PLACE (X.XX)	: 0.50
ANGLE	: 1°

THIRD ANGLE PROJECTION

DO NOT SCALE DRAWING REFER TO ES0018 FOR FASTENER TIGHTENING GUIDELINES

TITLE: **WIRING INSTL-BODY, 12V**

SHEET 1 OF 4 PART NO **181565** REV

REF: 1 14-Jun-2012

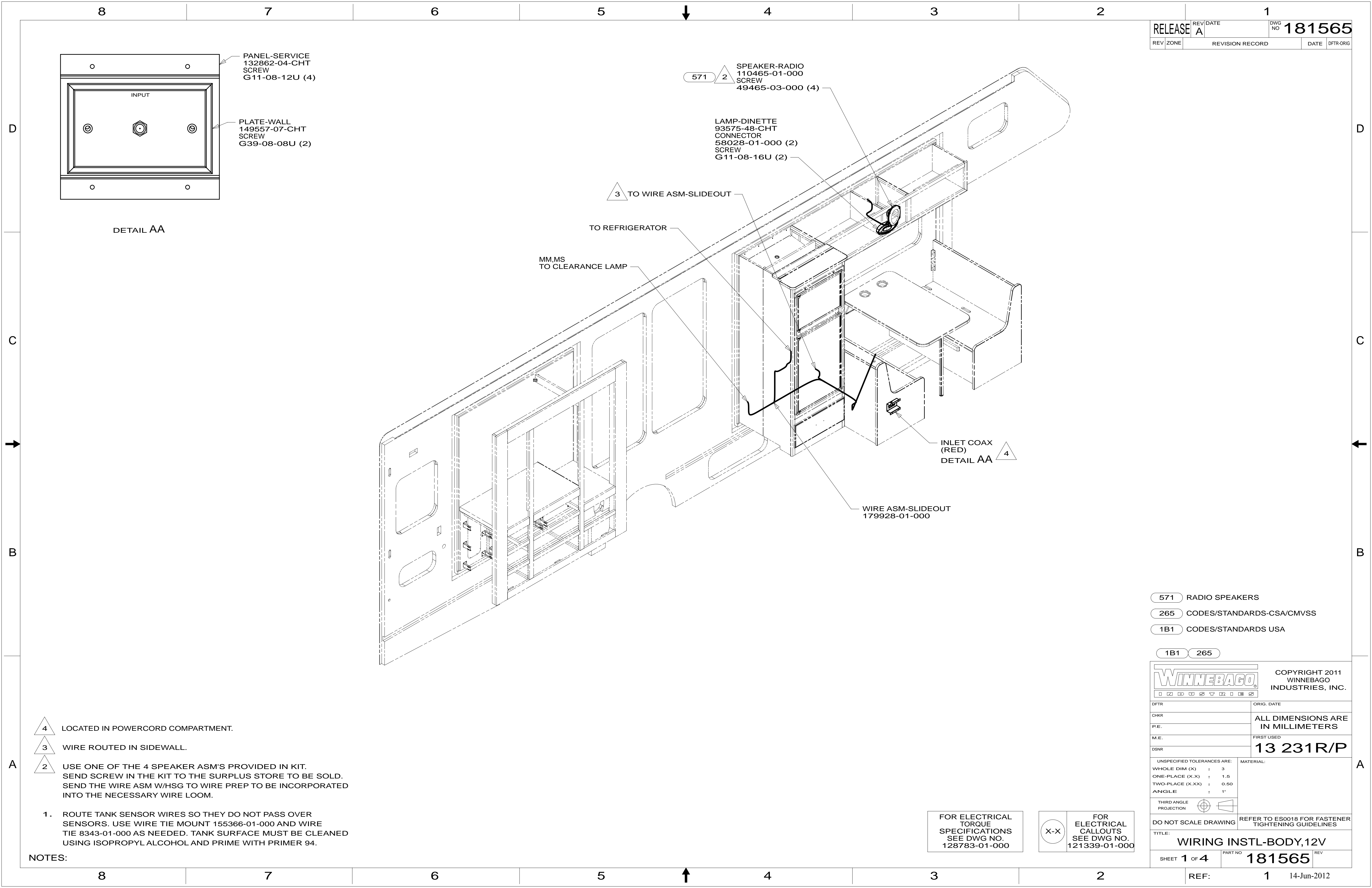
- 4 LOCATED IN POWERCORD COMPARTMENT.
- 3 WIRE ROUTED IN SIDEWALL.
- 2 USE ONE OF THE 4 SPEAKER ASM'S PROVIDED IN KIT. SEND SCREW IN THE KIT TO THE SURPLUS STORE TO BE SOLD. SEND THE WIRE ASM W/HSG TO WIRE PREP TO BE INCORPORATED INTO THE NECESSARY WIRE LOOM.

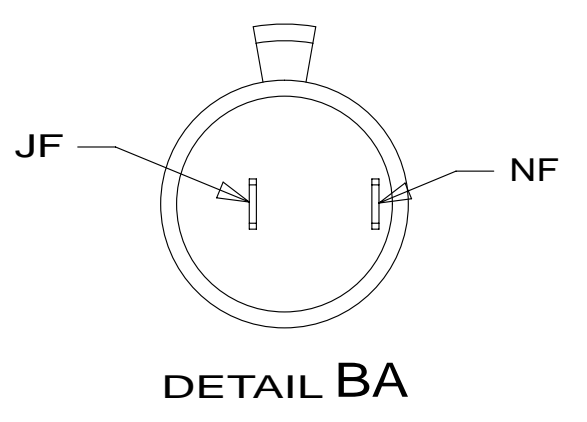
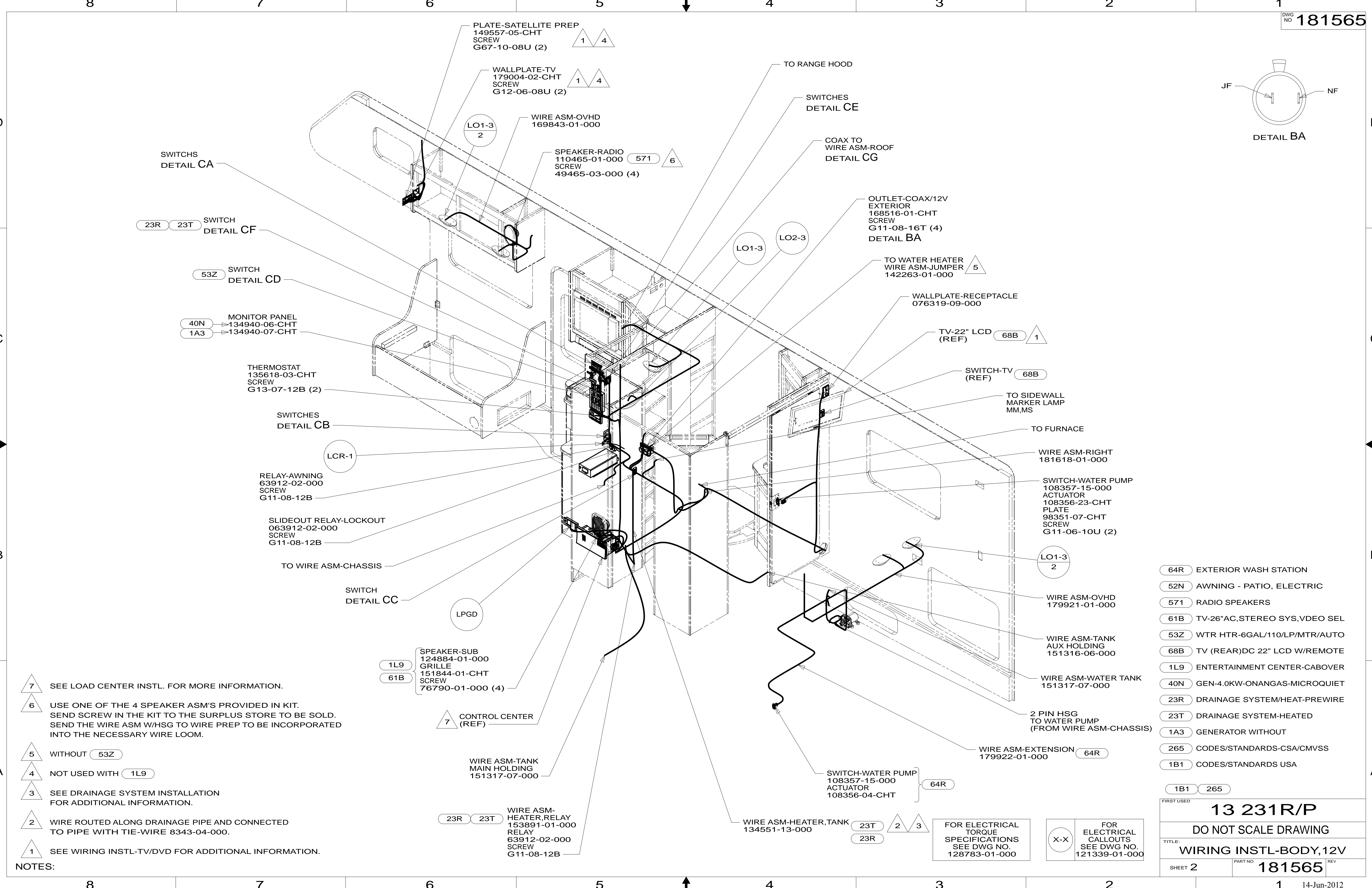
1. ROUTE TANK SENSOR WIRES SO THEY DO NOT PASS OVER SENSORS. USE WIRE TIE MOUNT 155366-01-000 AND WIRE TIE 8343-01-000 AS NEEDED. TANK SURFACE MUST BE CLEANED USING ISOPROPYL ALCOHOL AND PRIME WITH PRIMER 94.

NOTES:

FOR ELECTRICAL TORQUE SPECIFICATIONS SEE DWG NO. 128783-01-000

FOR ELECTRICAL CALLOUTS SEE DWG NO. 121339-01-000





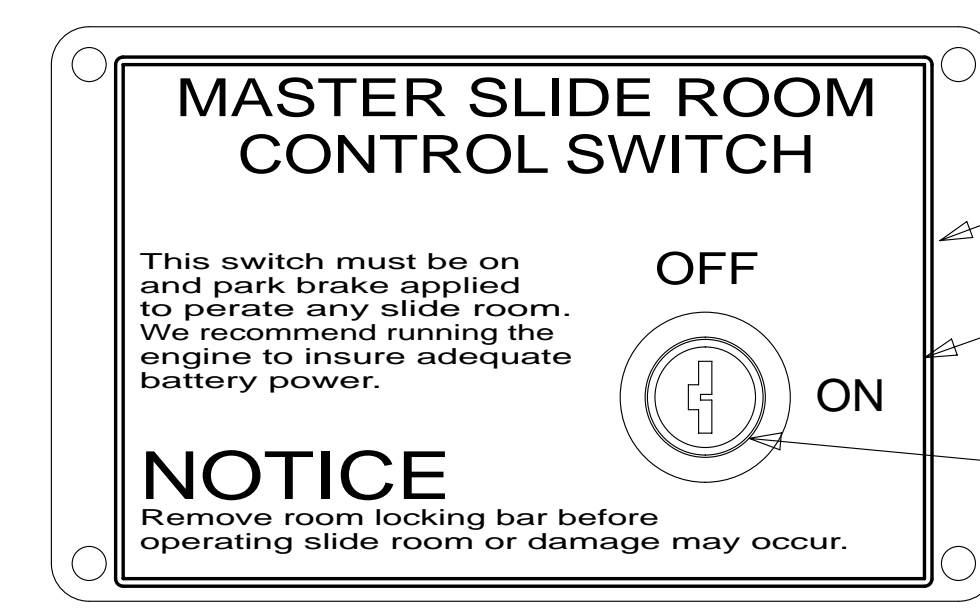
- NOTES:**
- 7 SEE LOAD CENTER INSTL. FOR MORE INFORMATION.
 - 6 USE ONE OF THE 4 SPEAKER ASM'S PROVIDED IN KIT. SEND SCREW IN THE KIT TO THE SURPLUS STORE TO BE SOLD. SEND THE WIRE ASM W/HSG TO WIRE PREP TO BE INCORPORATED INTO THE NECESSARY WIRE LOOM.
 - 5 WITHOUT 53Z
 - 4 NOT USED WITH 1L9
 - 3 SEE DRAINAGE SYSTEM INSTALLATION FOR ADDITIONAL INFORMATION.
 - 2 WIRE ROUTED ALONG DRAINAGE PIPE AND CONNECTED TO PIPE WITH TIE-WIRE 8343-04-000.
 - 1 SEE WIRING INSTL-TV/DVD FOR ADDITIONAL INFORMATION.

- 64R EXTERIOR WASH STATION
- 52N AWNING - PATIO, ELECTRIC
- 571 RADIO SPEAKERS
- 61B TV-26"AC,STEREO SYS,VDEO SEL
- 53Z WTR HTR-6GAL/110/LP/MTR/AUTO
- 68B TV (REAR)DC 22" LCD W/REMOTE
- 1L9 ENTERTAINMENT CENTER-CABOVER
- 40N GEN-4.0KW-ONANGAS-MICROQUIET
- 23R DRAINAGE SYSTEM/HEAT-PREWIRE
- 23T DRAINAGE SYSTEM-HEATED
- 1A3 GENERATOR WITHOUT
- 265 CODES/STANDARDS-CSA/CMVSS
- 1B1 CODES/STANDARDS USA

FIRST USED		13 231R/P	
DO NOT SCALE DRAWING			
TITLE: WIRING INSTL-BODY,12V			
SHEET 2	PART NO	181565	REV
			14-Jun-2012

FOR ELECTRICAL TORQUE SPECIFICATIONS SEE DWG NO. 128783-01-000

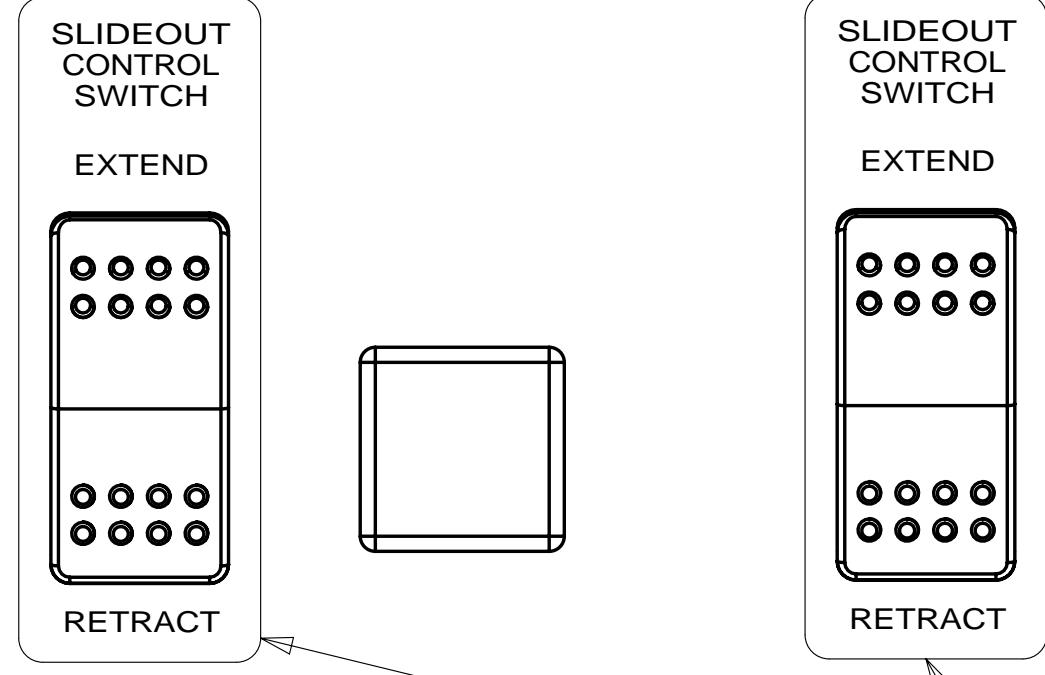
FOR ELECTRICAL CALLOUTS SEE DWG NO. 121339-01-000



- PLATE-KEY, SLIDE ROOM 163987-01-CHT SCREW 76790-05-000 (4)
- LABEL-SLIDROOM CONTROL, MAN 163988-01-CHT
- SWITCH,SLIDEOUT 165169-03-000 SCREW 76790-05-000 (2)
- SWITCH-KEY,SPST-ILLINOIS LCK 163097-01-000 (CONNECTS TO CIRCUITS DY & DDJ)

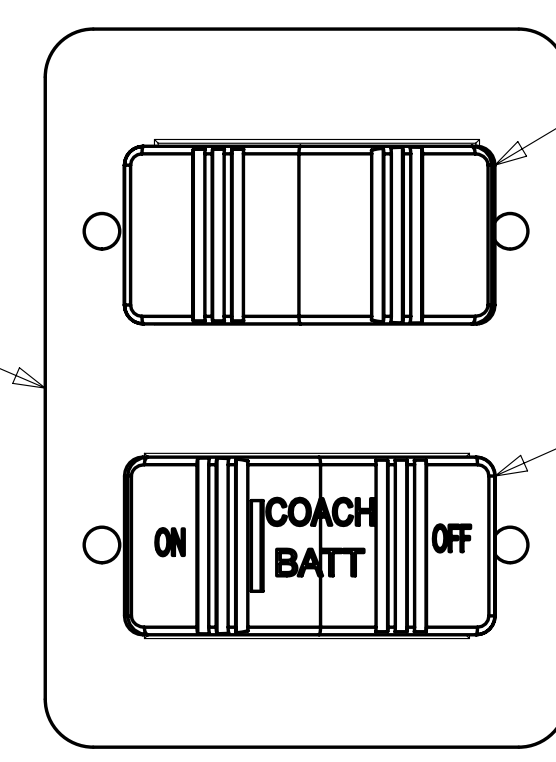
WARNING CRUSH HAZARD. Keep people and objects clear of the inside and the outside of the slideout room when operating. Failure to comply could result in death or serious injury.

- LABEL-WARNING, SLIDEOUT 116549-01-000

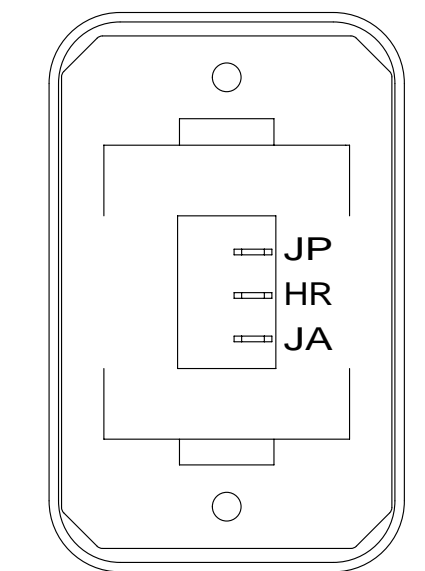
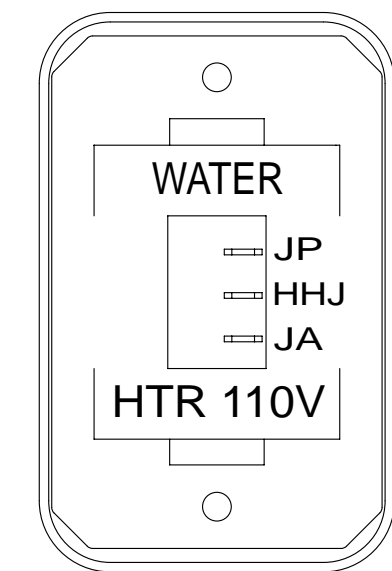
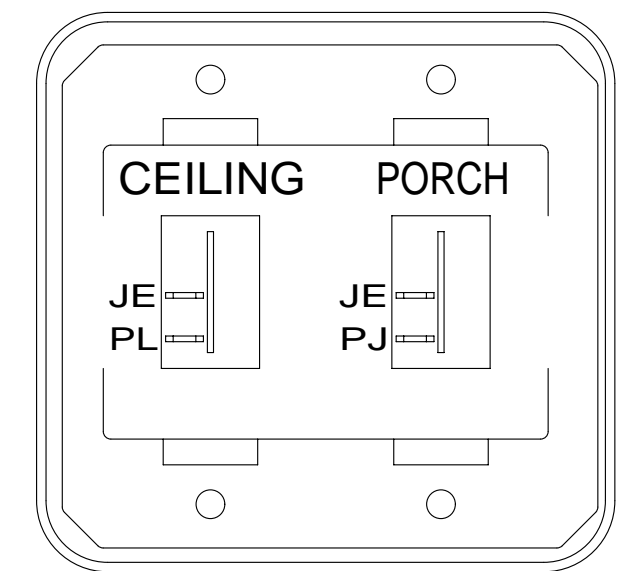
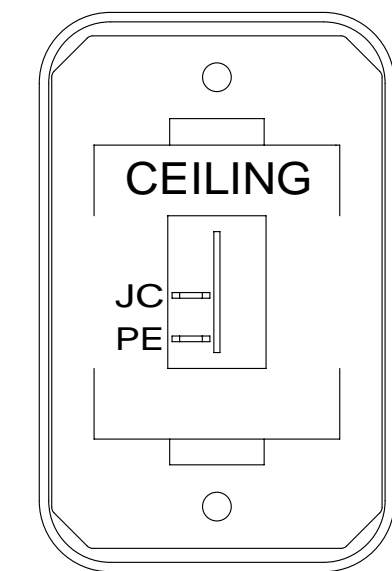


- LABEL-SLIDEOUT, DRIVER,FRONT 163992-01-CHT
- LABEL-SLIDEOUT, DRIVER,REAR 163992-02-CHT

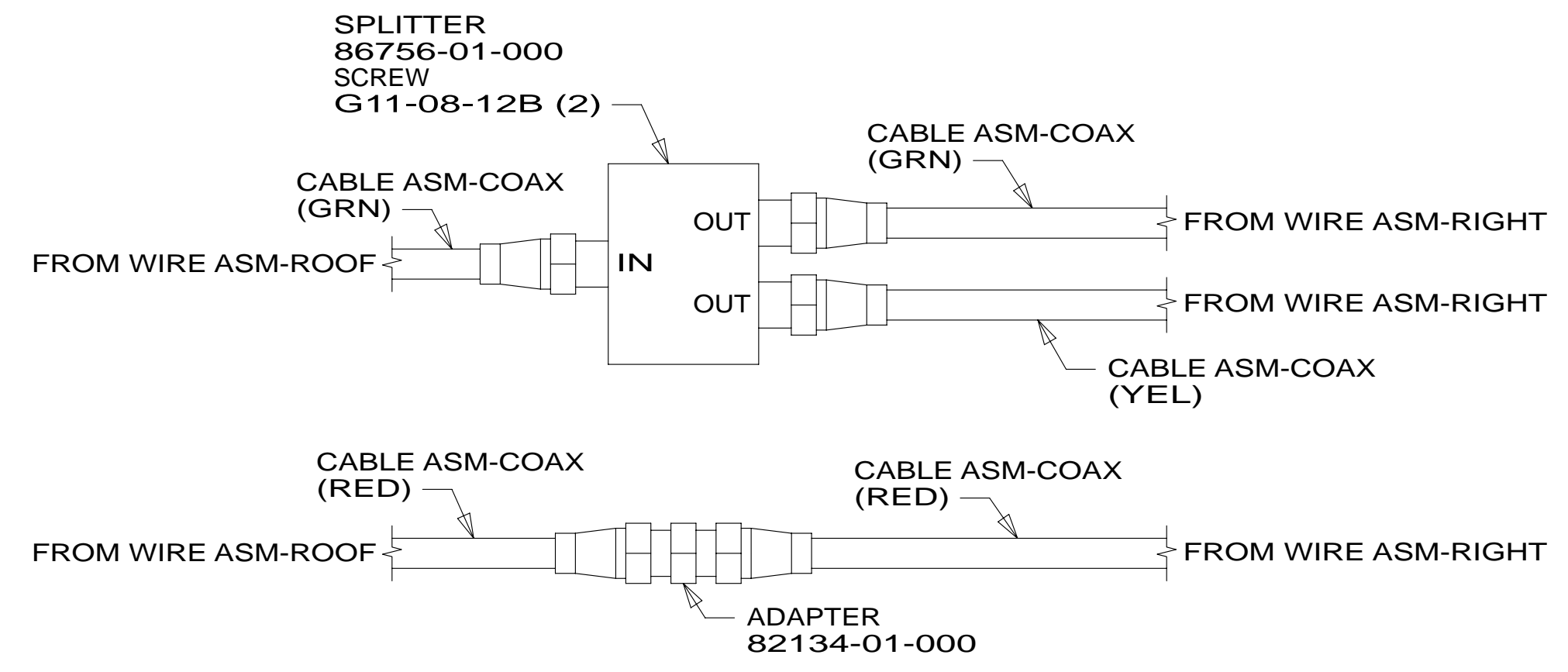
- PLATE-SWITCH 144363-10-CHT (2)
- SWITCH 108357-06-000 (2)
- ACTUATOR 108356-02-CHT (2)
- NUT D65-08-00B (4)
- LABEL 116220-01-000 (2)



- PLATE 98351-22-CHT SCREW G11-06-10U (4)



HOLDING TANK HEATER
TURN OFF When Not In Use
SEE OPERATORS MANUAL



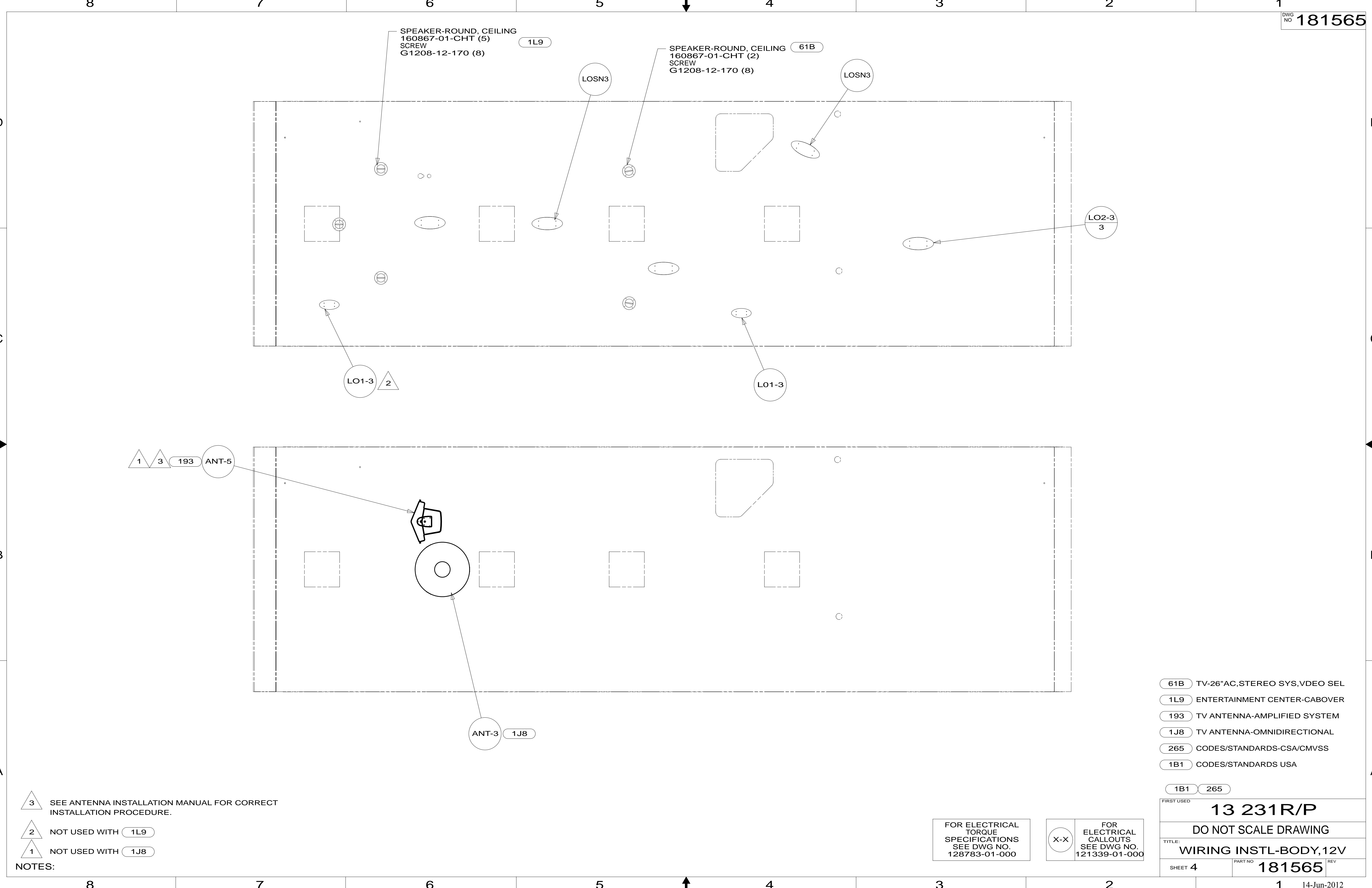
- 52N AWNING-PATIO, ELECTRIC
- 53Z WTR HTR-6GAL/110/LP/MTR/AUTO
- 23R DRAINAGE SYSTEM/HEAT-PREWIRE
- 23T DRAINAGE SYSTEM-HEATED
- 265 CODES/STANDARDS-CSA/CMVSS
- 1B1 CODES/STANDARDS USA

1B1 265

FIRST USED	13 231R/P	
DO NOT SCALE DRAWING		
TITLE: WIRING INSTL-BODY,12V		
SHEET 3	PART NO 181565	REV

FOR ELECTRICAL TORQUE SPECIFICATIONS SEE DWG NO. 128783-01-000

FOR ELECTRICAL CALLOUTS SEE DWG NO. 121339-01-000



SPEAKER-ROUND, CEILING
160867-01-CHT (5)
SCREW
G1208-12-170 (8)

1L9

SPEAKER-ROUND, CEILING
160867-01-CHT (2)
SCREW
G1208-12-170 (8)

61B

LO1-3 2

LO1-3

LO2-3
3

1 3 193 ANT-5

ANT-3 1J8

3 SEE ANTENNA INSTALLATION MANUAL FOR CORRECT
INSTALLATION PROCEDURE.

2 NOT USED WITH 1L9

1 NOT USED WITH 1J8

NOTES:

- 61B TV-26"AC,STEREO SYS,VDEO SEL
- 1L9 ENTERTAINMENT CENTER-CABOVER
- 193 TV ANTENNA-AMPLIFIED SYSTEM
- 1J8 TV ANTENNA-OMNIDIRECTIONAL
- 265 CODES/STANDARDS-CSA/CMVSS
- 1B1 CODES/STANDARDS USA

1B1 265

FIRST USED 13 231R/P

DO NOT SCALE DRAWING

TITLE: WIRING INSTL-BODY,12V

SHEET 4 PART NO 181565 REV

FOR ELECTRICAL
TORQUE
SPECIFICATIONS
SEE DWG NO.
128783-01-000

FOR
ELECTRICAL
CALLOUTS
SEE DWG NO.
121339-01-000