



DANGER

Danger of electrical shock, burns or death. Always remove all power sources before attempting any repair, service or diagnostic work. Power can be present from shore power, generator, inverter or battery. All power sources must be disabled and secured before performing any service.

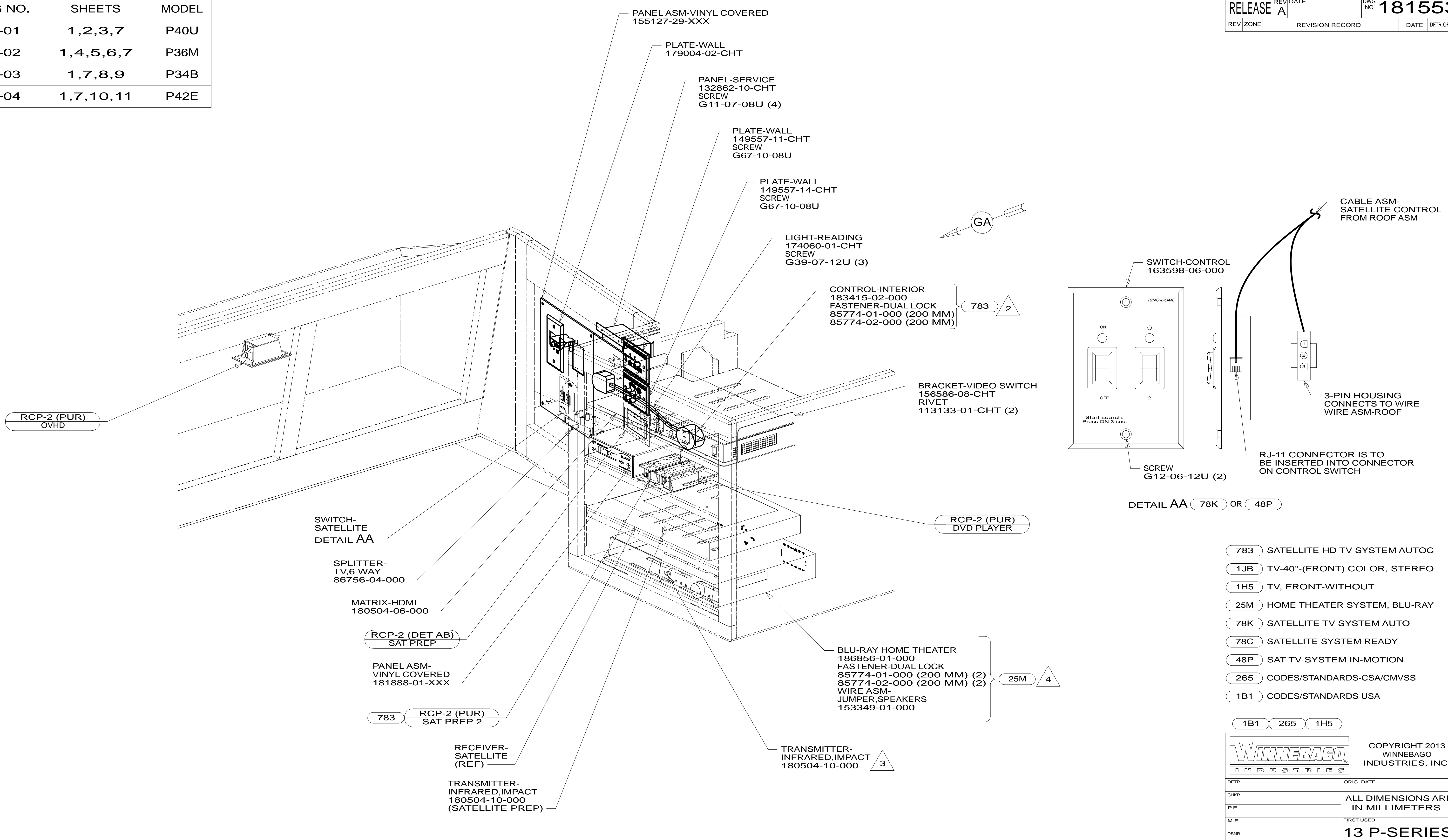


CAUTION

If you lack the skills, tools or equipment to perform diagnostic or repair work leave such work to an authorized Winnebago Industries dealer or other qualified shop.

DRAWING NO.	SHEETS	MODEL
181553-01	1,2,3,7	P40U
181553-02	1,4,5,6,7	P36M
181553-03	1,7,8,9	P34B
181553-04	1,7,10,11	P42E

RELEASE	REV DATE	DWG NO	181553
REV ZONE	REVISION RECORD	DATE	DTR-ORIG



- 783 SATELLITE HD TV SYSTEM AUTOC
- 1JB TV-40"-(FRONT) COLOR, STEREO
- 1H5 TV, FRONT-WITHOUT
- 25M HOME THEATER SYSTEM, BLU-RAY
- 78K SATELLITE TV SYSTEM AUTO
- 78C SATELLITE SYSTEM READY
- 48P SAT TV SYSTEM IN-MOTION
- 265 CODES/STANDARDS-CSA/CMVSS
- 1B1 CODES/STANDARDS USA

WINNEBAGO COPYRIGHT 2013 WINNEBAGO INDUSTRIES, INC.

DTR	ORIG. DATE
CHKR	ALL DIMENSIONS ARE IN MILLIMETERS
P.E.	
M.E.	FIRST USED
DSNR	13 P-SERIES

UNSPECIFIED TOLERANCES ARE:

WHOLE DIM (X)	: 3
ONE-PLACE (X.X)	: 1.5
TWO-PLACE (X.XX)	: 0.50
ANGLE	: 1°

THIRD ANGLE PROJECTION

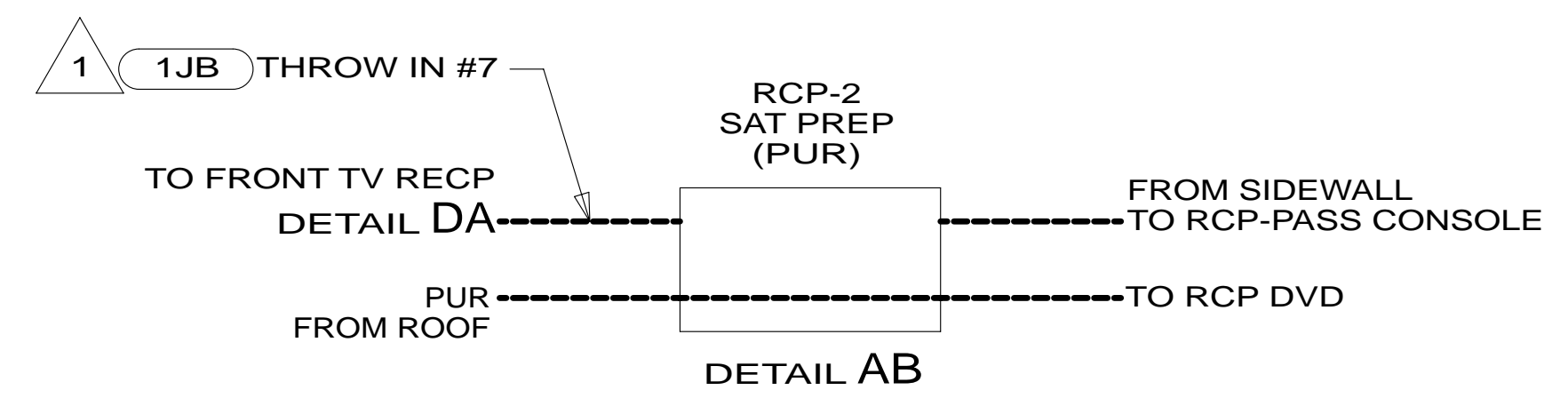
DO NOT SCALE DRAWING REFER TO ES0018 FOR FASTENER TIGHTENING GUIDELINES

TITLE: **WIRING INSTL-TV/DVD**

SHEET 1 OF 11 PART NO **181553** REV

REF: 1 17-May-2013

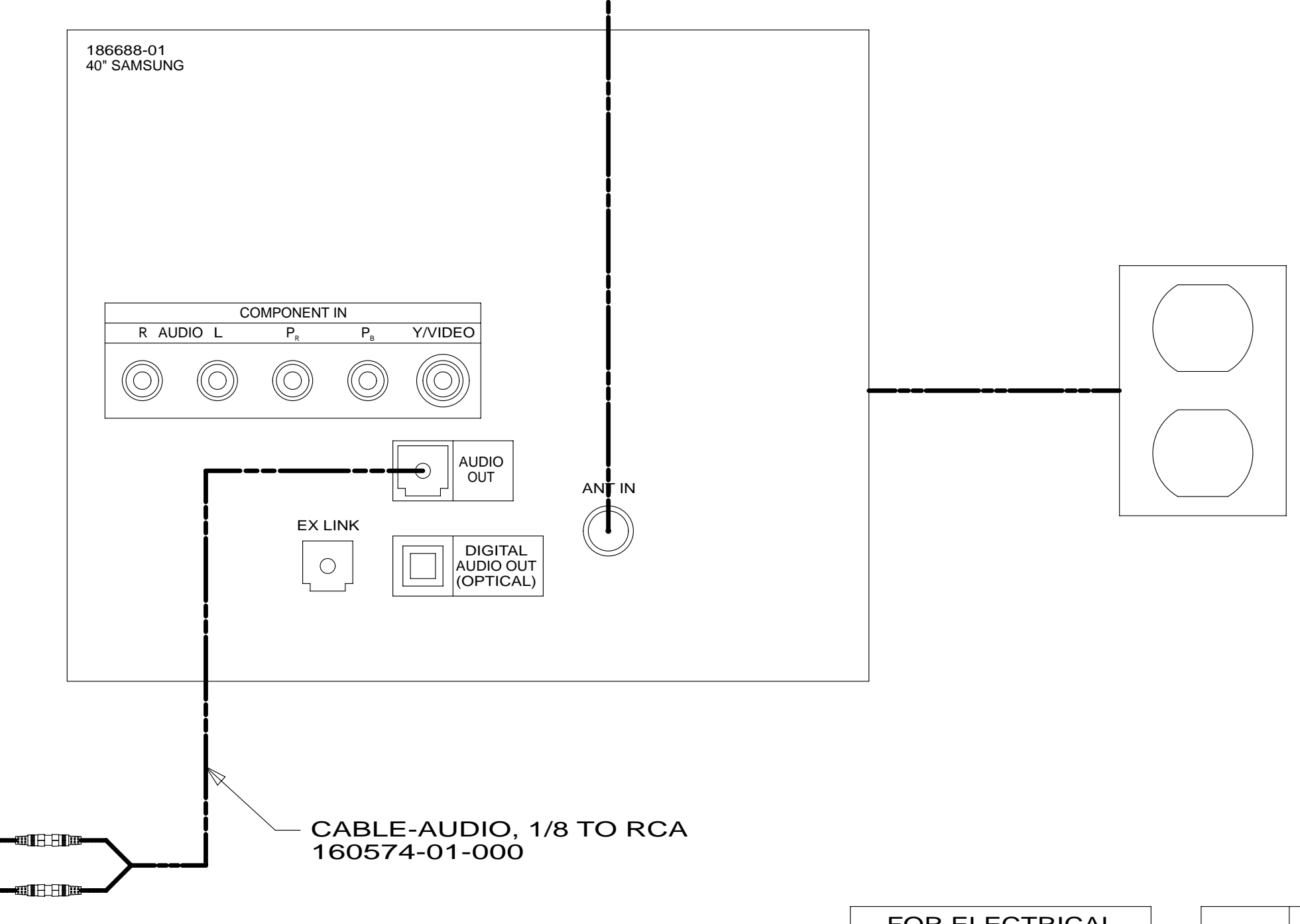
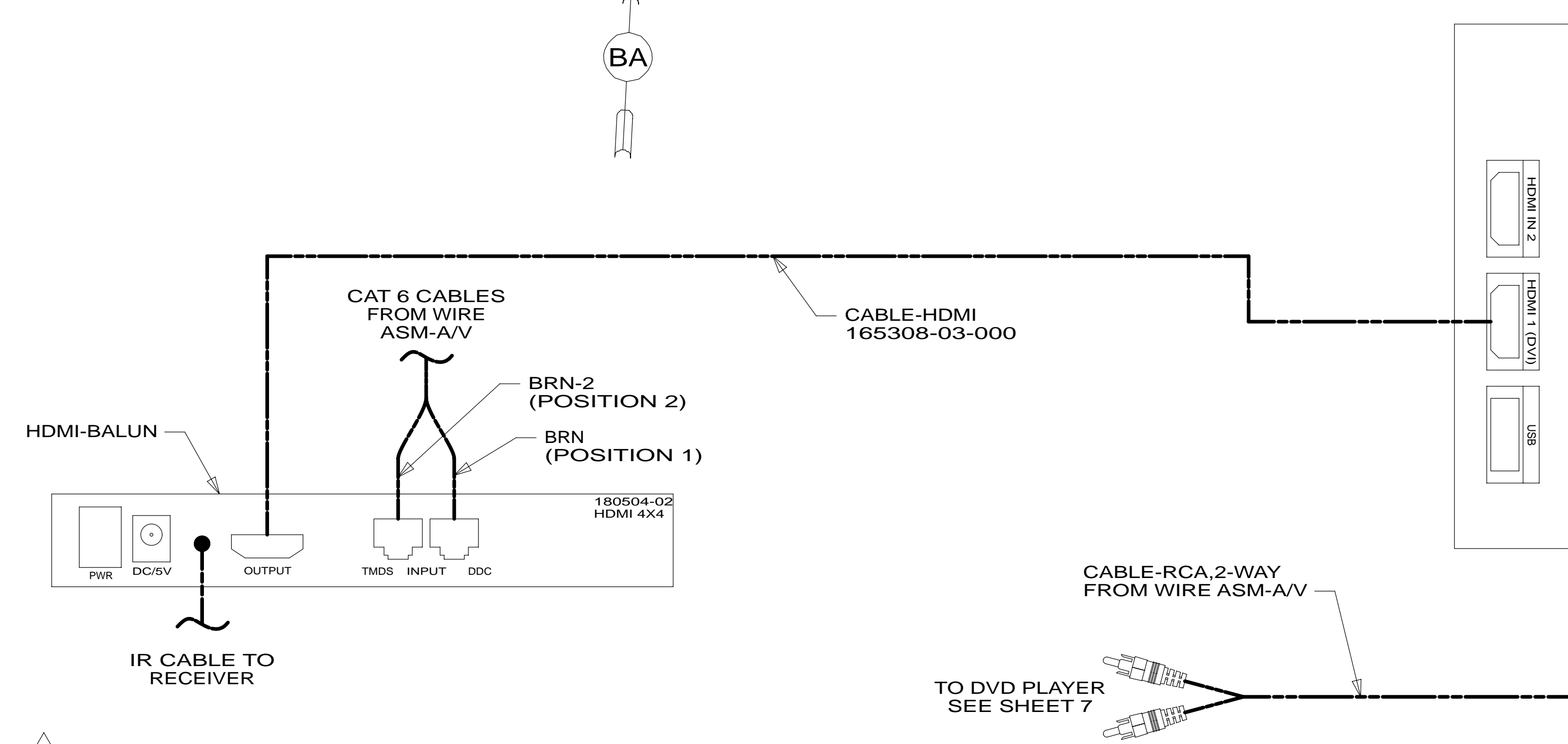
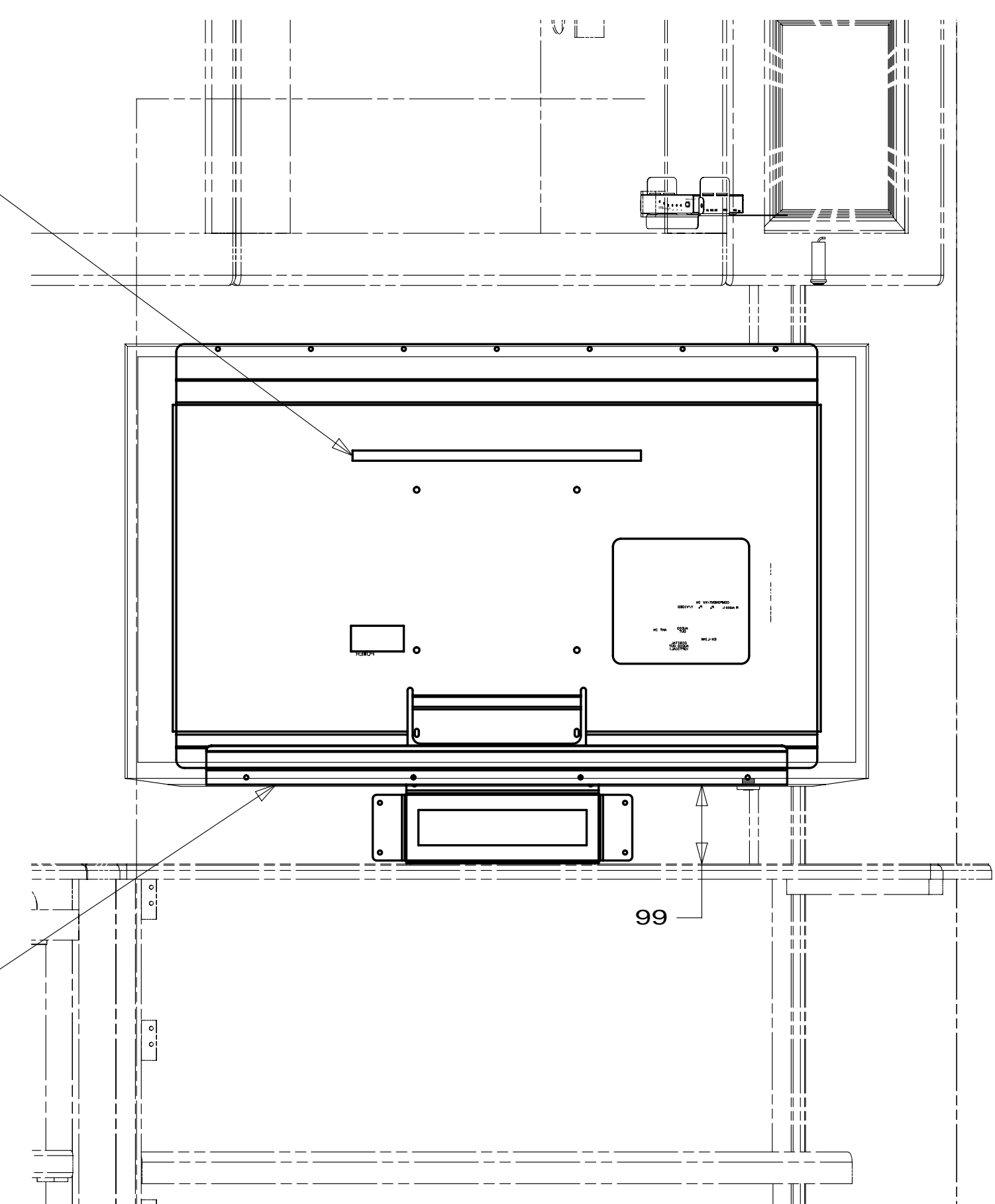
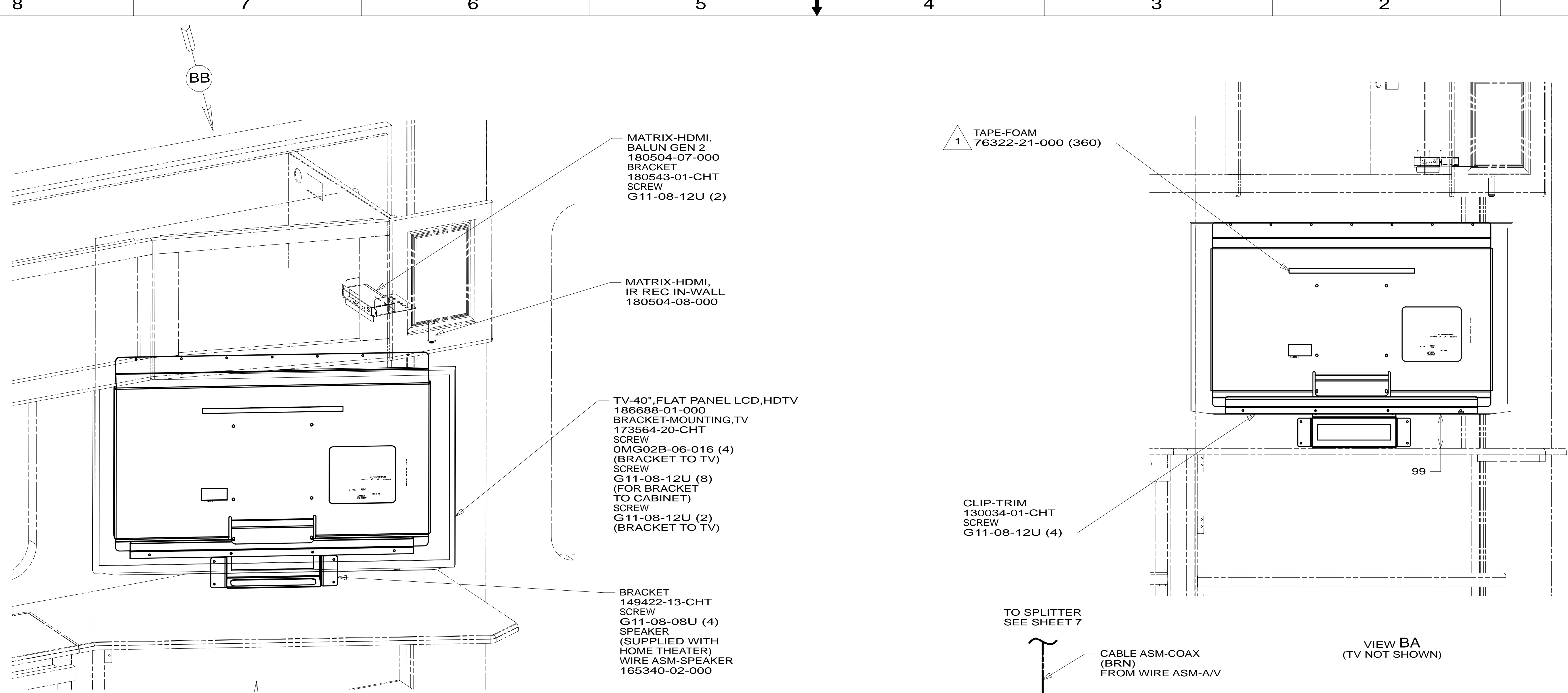
- NOTES:
- 4 SET BLU-RAY PLAYER TO A MAX VIDEO OUTPUT OF 1080i.
 - 3 STICK I.E. FOR HOME THEATER ON FRONT OF HOME THEATER AS SHOWN. (150 MM FROM RIGHT SIDE).
 - 2 INTERIOR CONTROL CONNECTS TO SATELLITE DATA CABLE. SEE ROOF ASM FOR ADDITIONAL INFORMATION.
 - 1 SEE LOAD CENTER/ATS FOR ADDITIONAL INFORMATION.



FOR ELECTRICAL TORQUE SPECIFICATIONS SEE DWG NO. 128783-01-000

FOR ELECTRICAL CALLOUTS SEE DWG NO. 121339-01-000

* 181553 *



NOTES:
 1 CLEAN AND APPLY ADHESIVE PROMOTER 87211-01-000 TO BOTH SURFACES AND BOND WHERE TOP FLANGE OF BRACKET CONTACTS PLASTIC TV BEZEL.

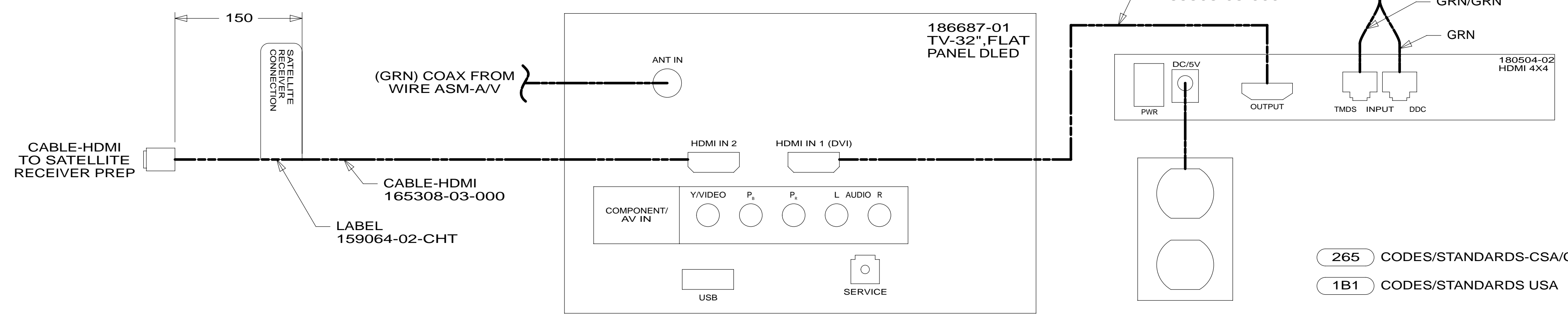
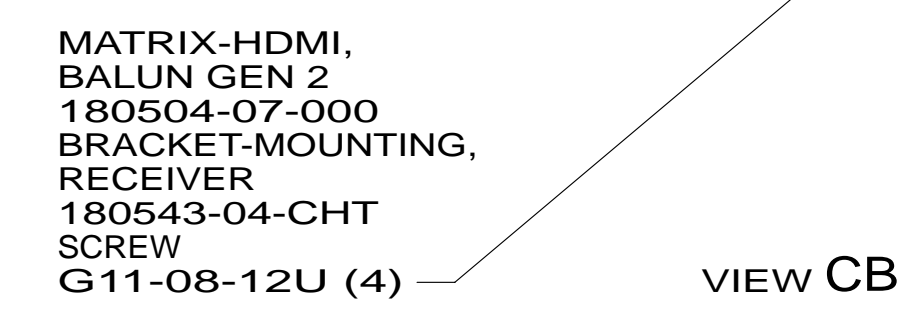
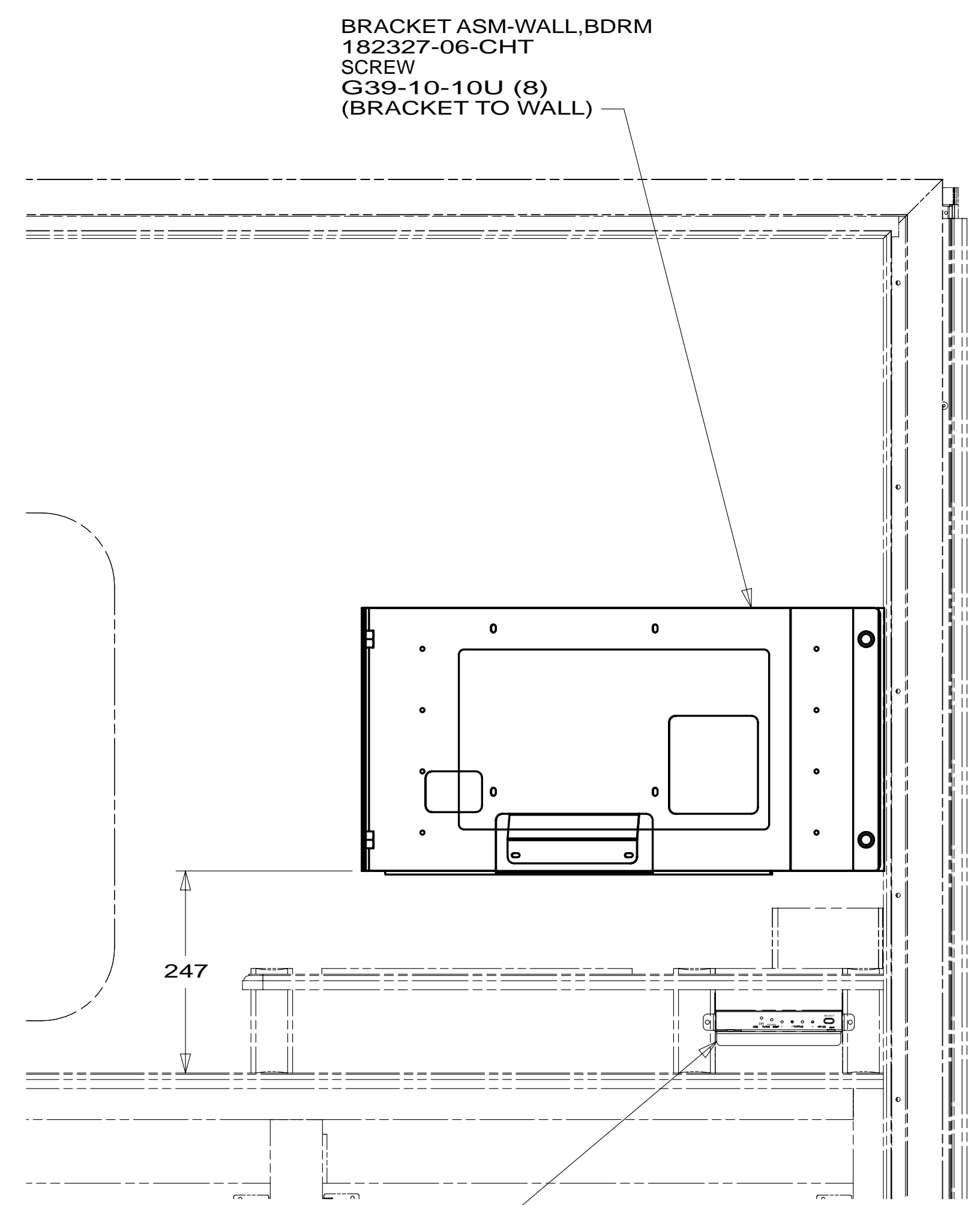
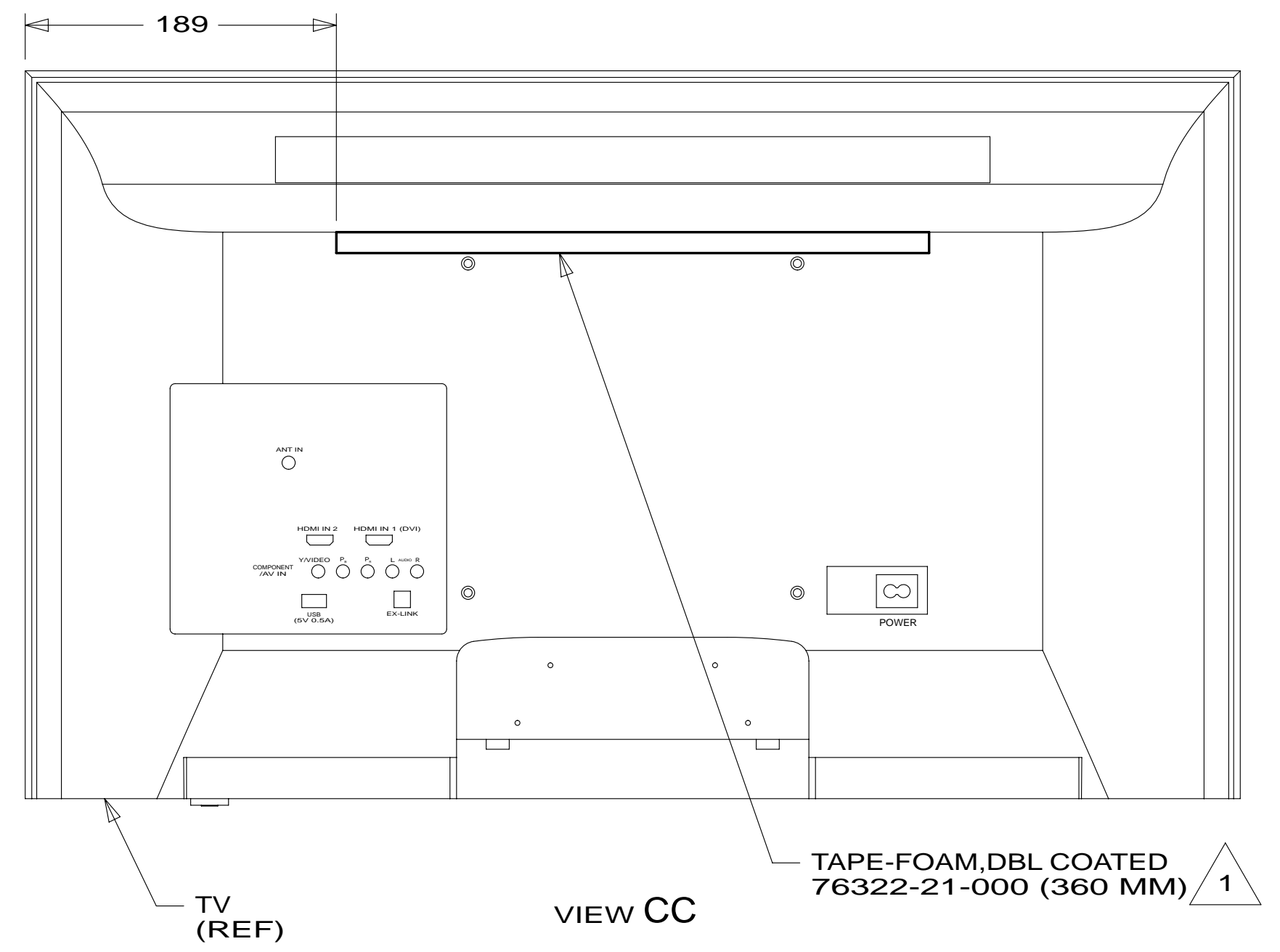
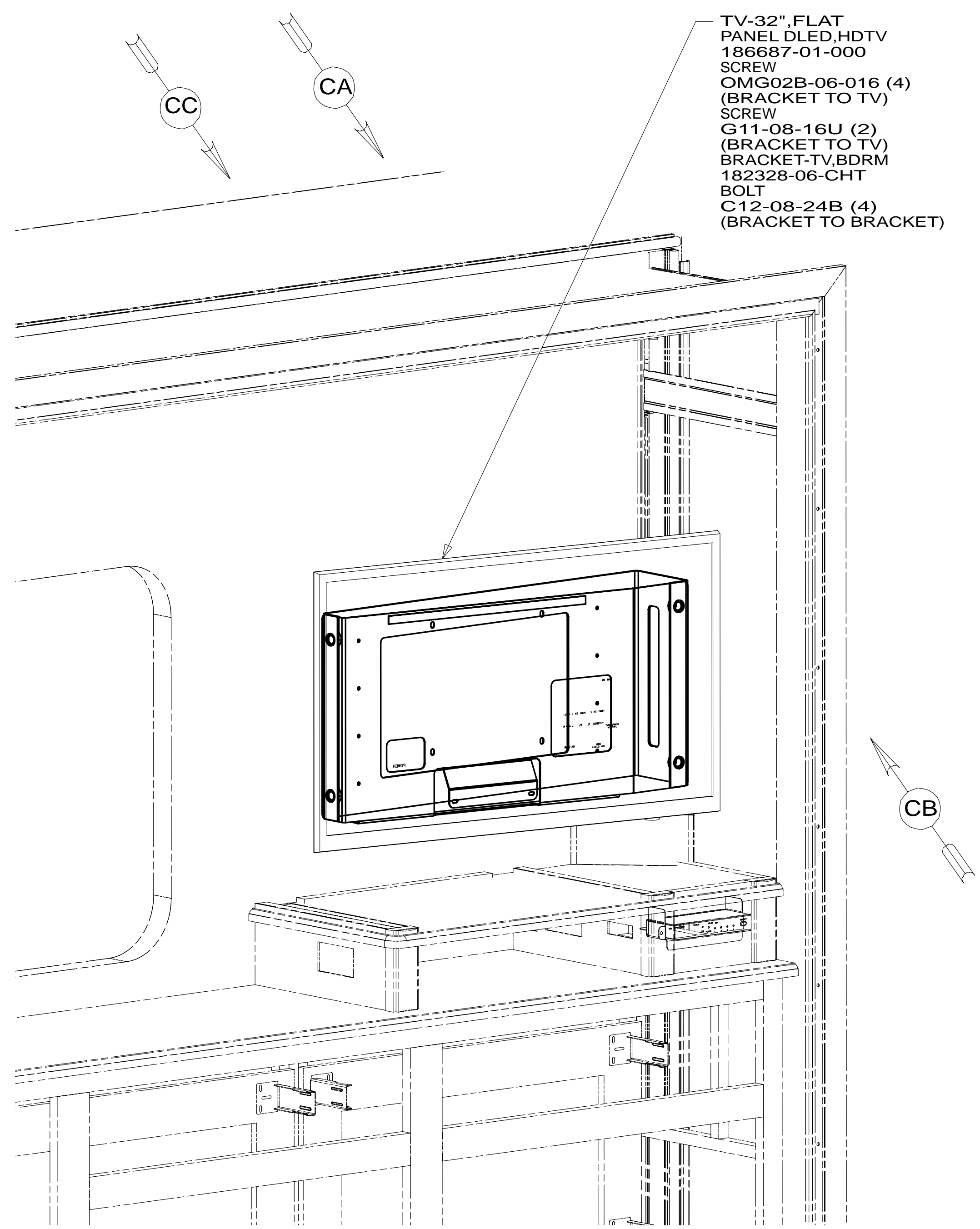
FOR ELECTRICAL TORQUE SPECIFICATIONS SEE DWG NO. 128783-01-000

FOR ELECTRICAL CALLOUTS SEE DWG NO. 121339-01-000

265 CODES/STANDARDS-CSA/CMVSS
 1B1 CODES/STANDARDS USA

1B1	265
FIRST USED	
13 P-SERIES	
DO NOT SCALE DRAWING	
TITLE: WIRING INSTL-TV/DVD	
SHEET 2	PART NO 181553 REV

* 181553 *



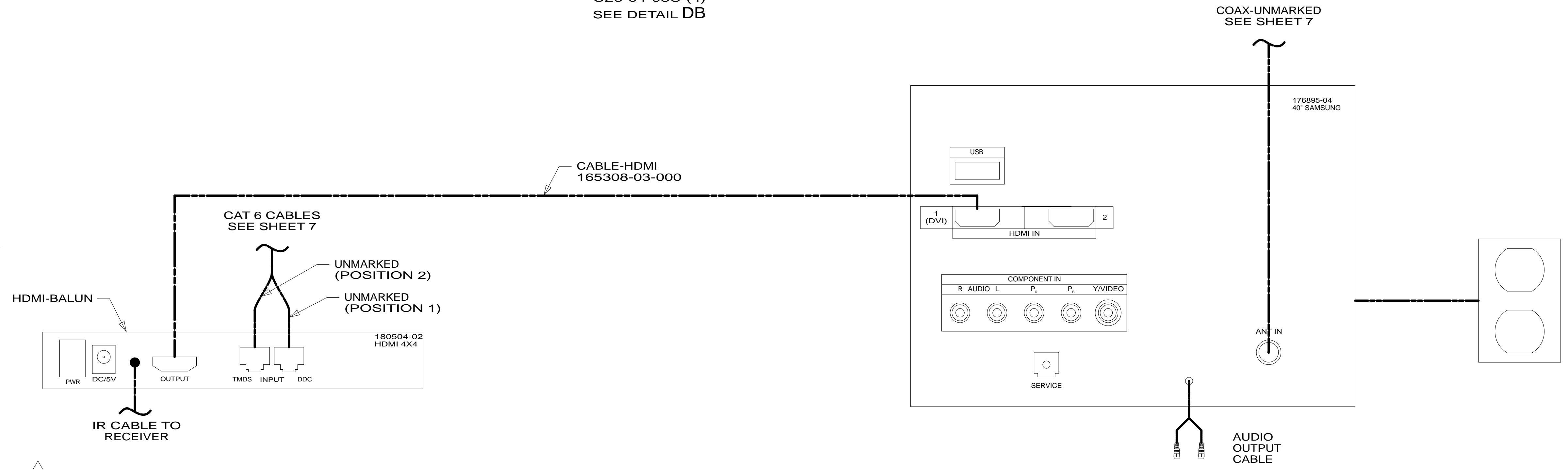
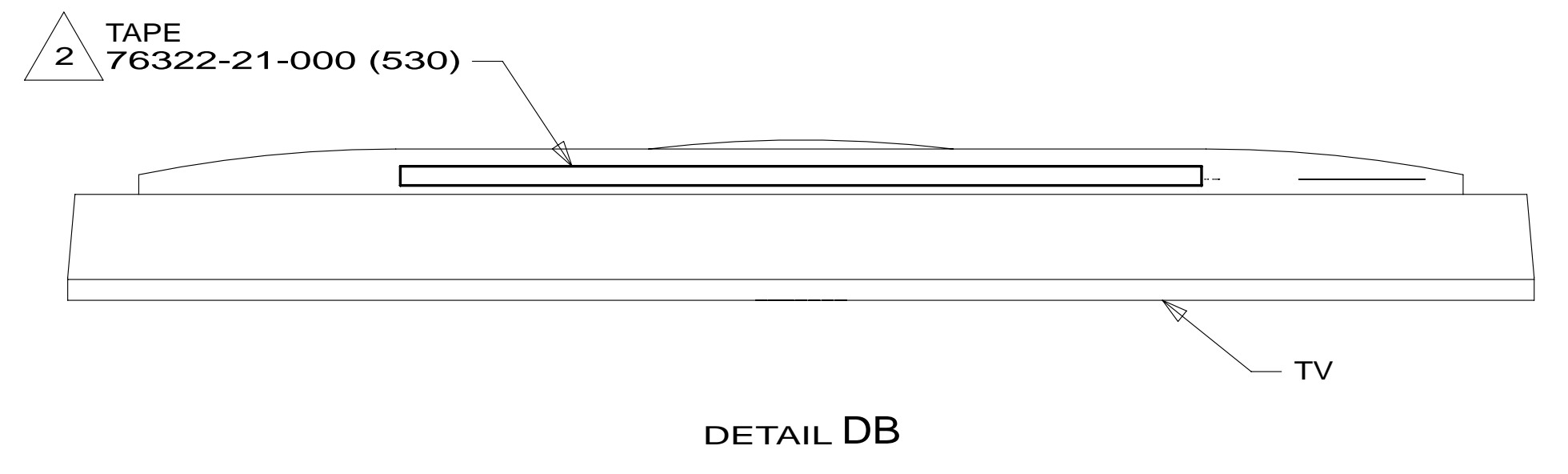
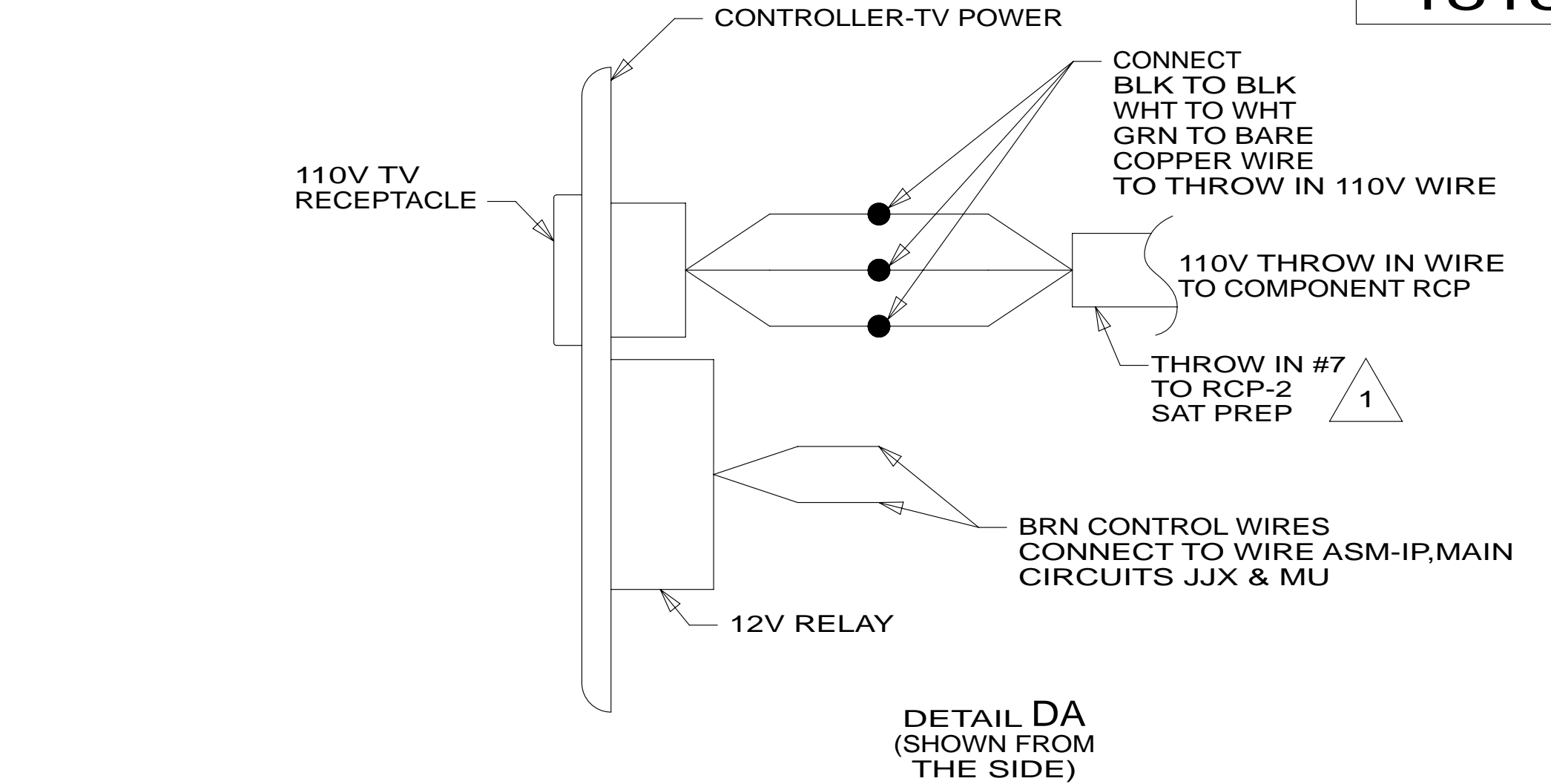
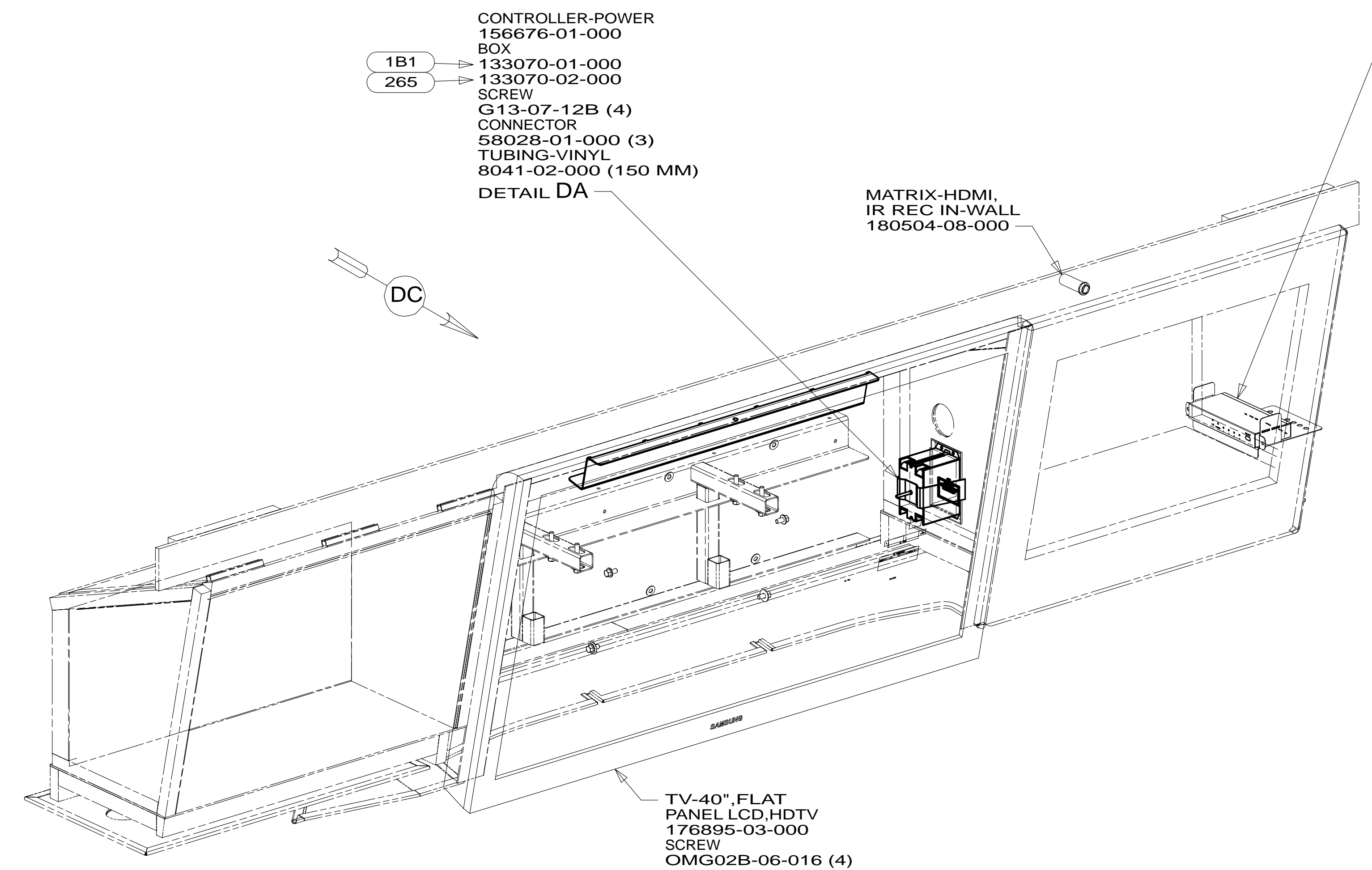
1 CLEAN AND APPLY ADHESIVE PROMOTER 87211-01-000 TO BOTH SURFACES.

FOR ELECTRICAL TORQUE SPECIFICATIONS SEE DWG NO. 128783-01-000

X-X FOR ELECTRICAL CALLOUTS SEE DWG NO. 121339-01-000

265 CODES/STANDARDS-CSA/CMVSS
1B1 CODES/STANDARDS USA

1B1	265
FIRST USED	
13 P-SERIES	
DO NOT SCALE DRAWING	
TITLE: WIRING INSTL-TV/DVD	
SHEET 3	PART NO 181553 REV



- 25M HOME THEATER SYSTEM, BLU-RAY
- 1JM HOME THEATER SOUND SYSTEM
- 1JB TV-40"-(FRONT) COLOR, STEREO
- 265 CODES/STANDARDS-CSA/CMVSS
- 1B1 CODES/STANDARDS USA

1B1	265	1JB
FIRST USED		
13 P-SERIES		
DO NOT SCALE DRAWING		
TITLE: WIRING INSTL-TV/DVD		
SHEET 4	PART NO. 181553	REV

NOTES:

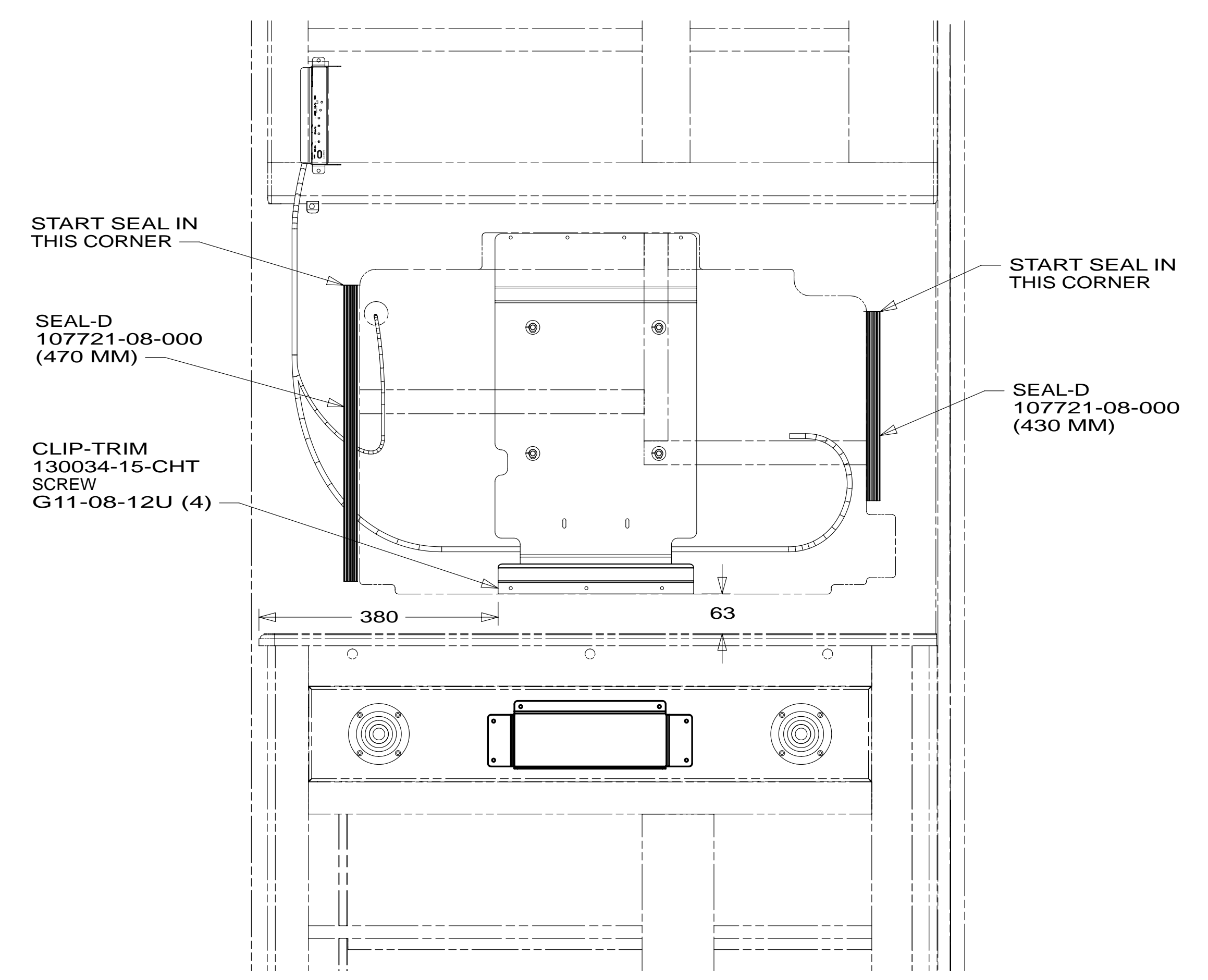
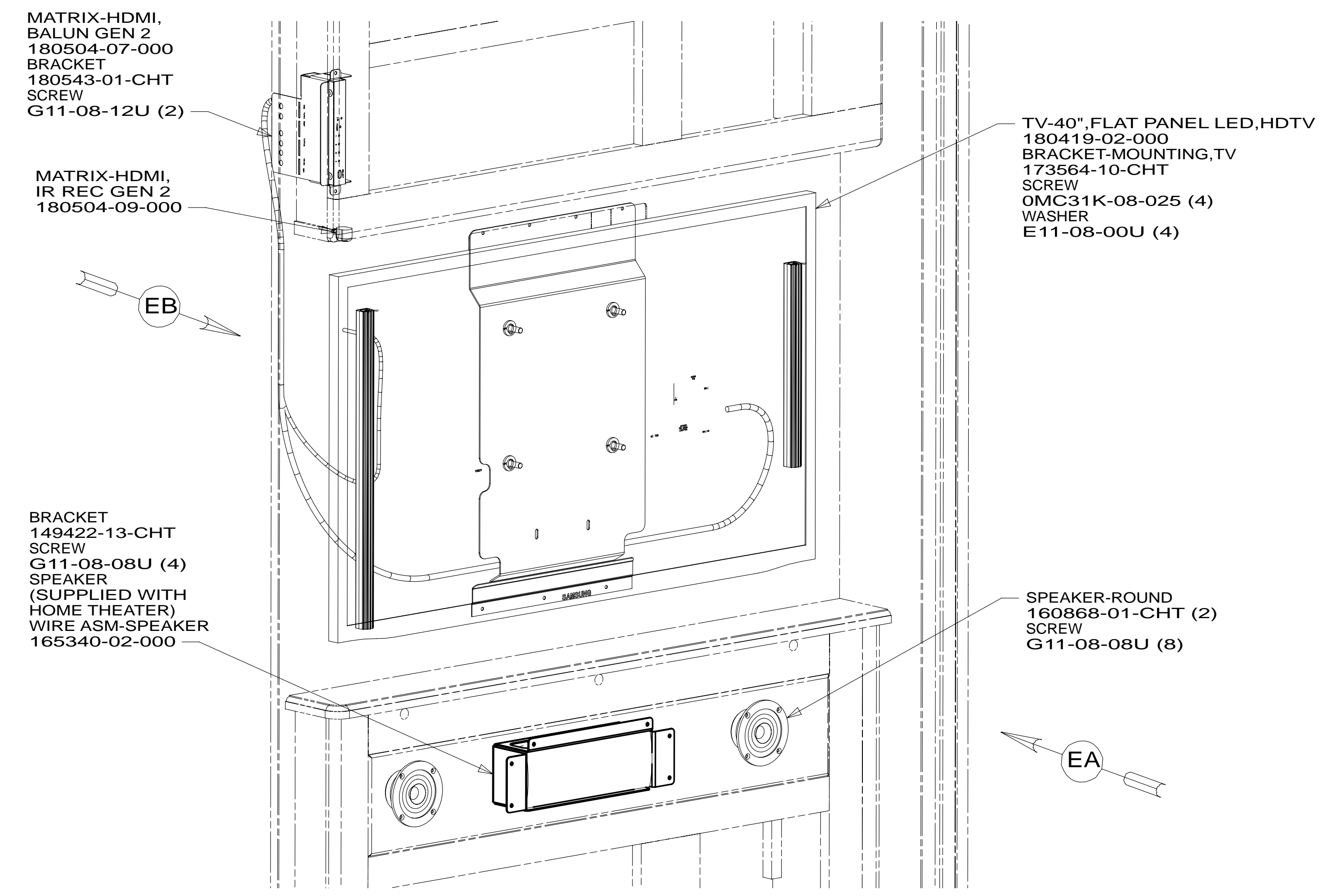
2 CLEAN AND APPLY ADHESIVE PROMOTER 87211-01-000 TO BOTH SURFACES AND BOND WHERE TOP FLANGE OF BRACKET CONTACTS PLASTIC TV BEZEL.

1 SEE LOAD CENTER/ATS FOR ADDITIONAL INFORMATION.

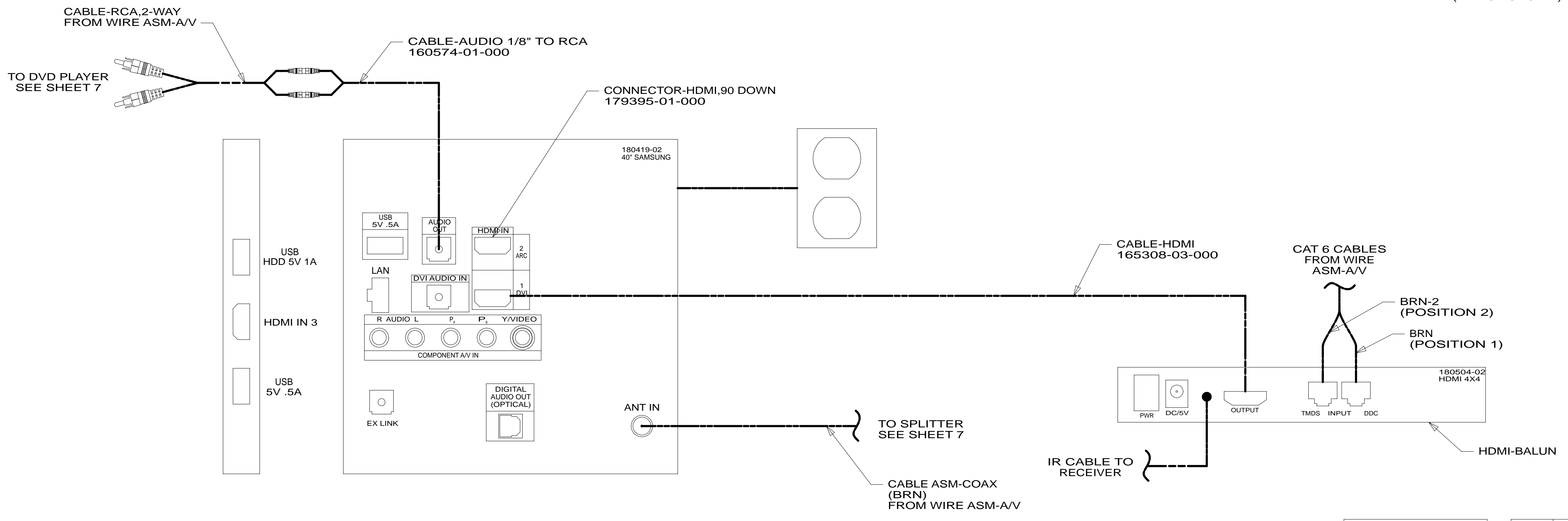
FOR ELECTRICAL TORQUE SPECIFICATIONS SEE DWG NO. 128783-01-000

FOR ELECTRICAL CALLOUTS SEE DWG NO. 121339-01-000

* 181553 * A



VIEW EA
(TV NOT SHOWN)



VIEW EB

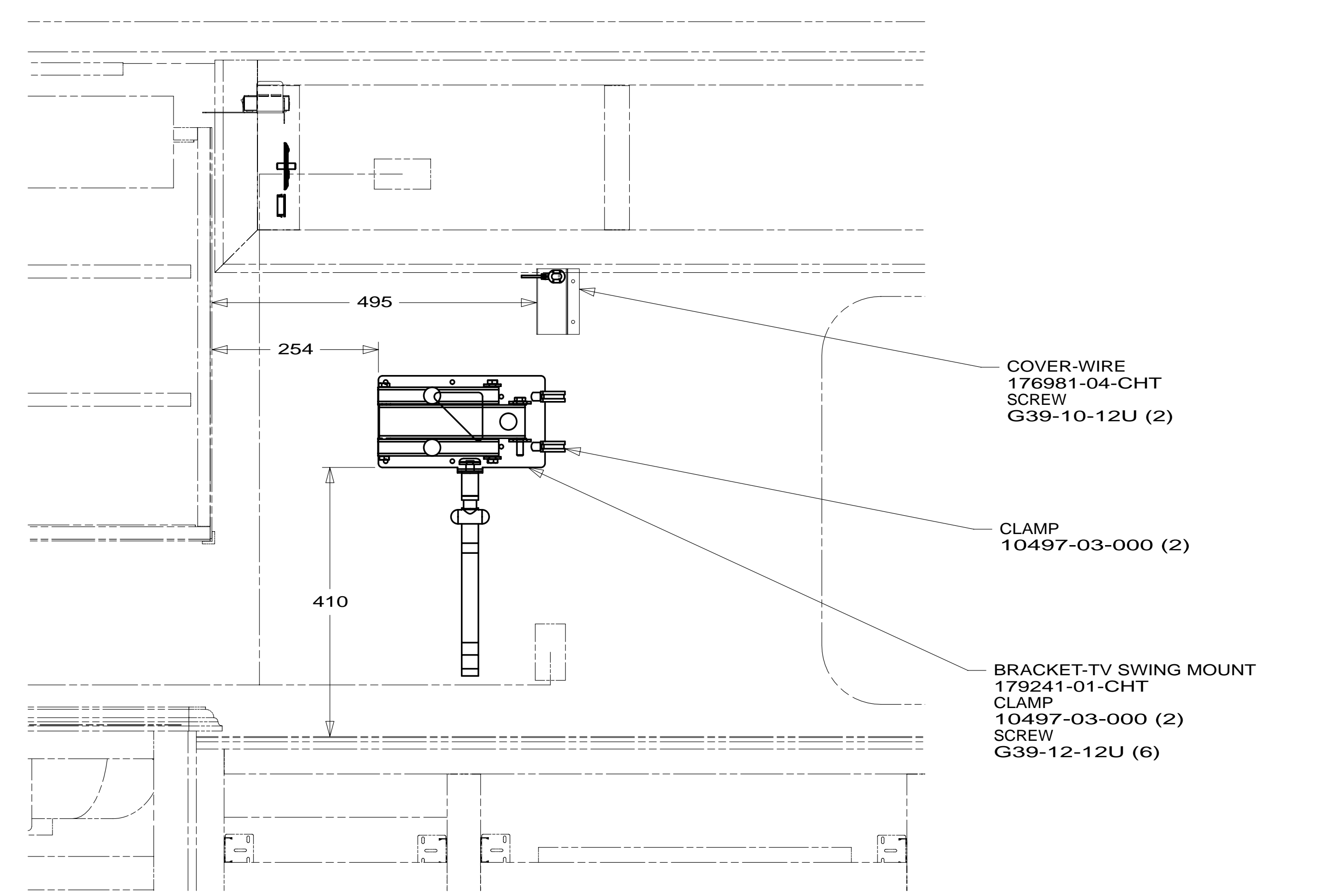
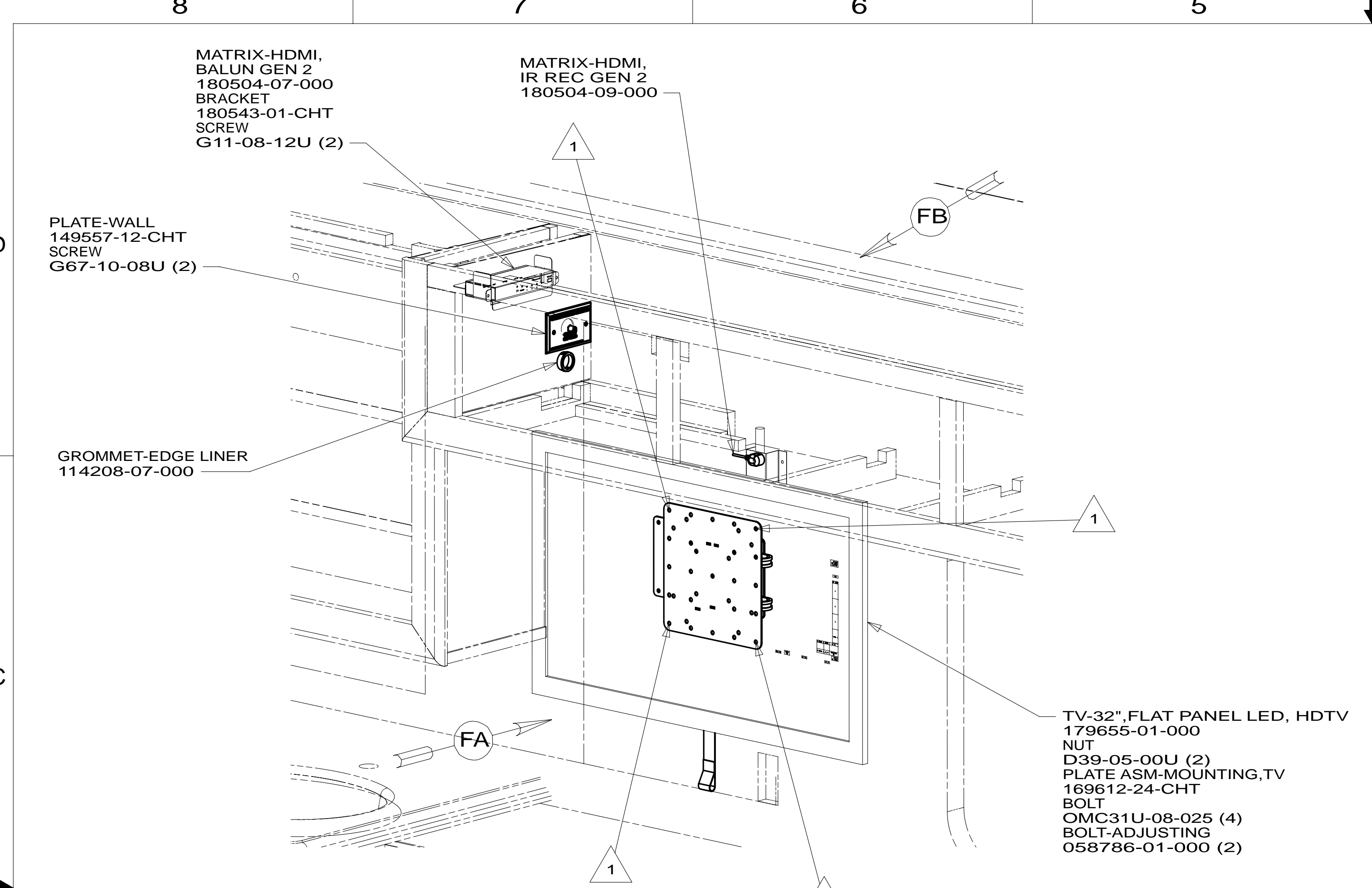
FOR ELECTRICAL TORQUE SPECIFICATIONS SEE DWG NO. 128783-01-000

FOR ELECTRICAL CALLOUTS SEE DWG NO. 121339-01-000

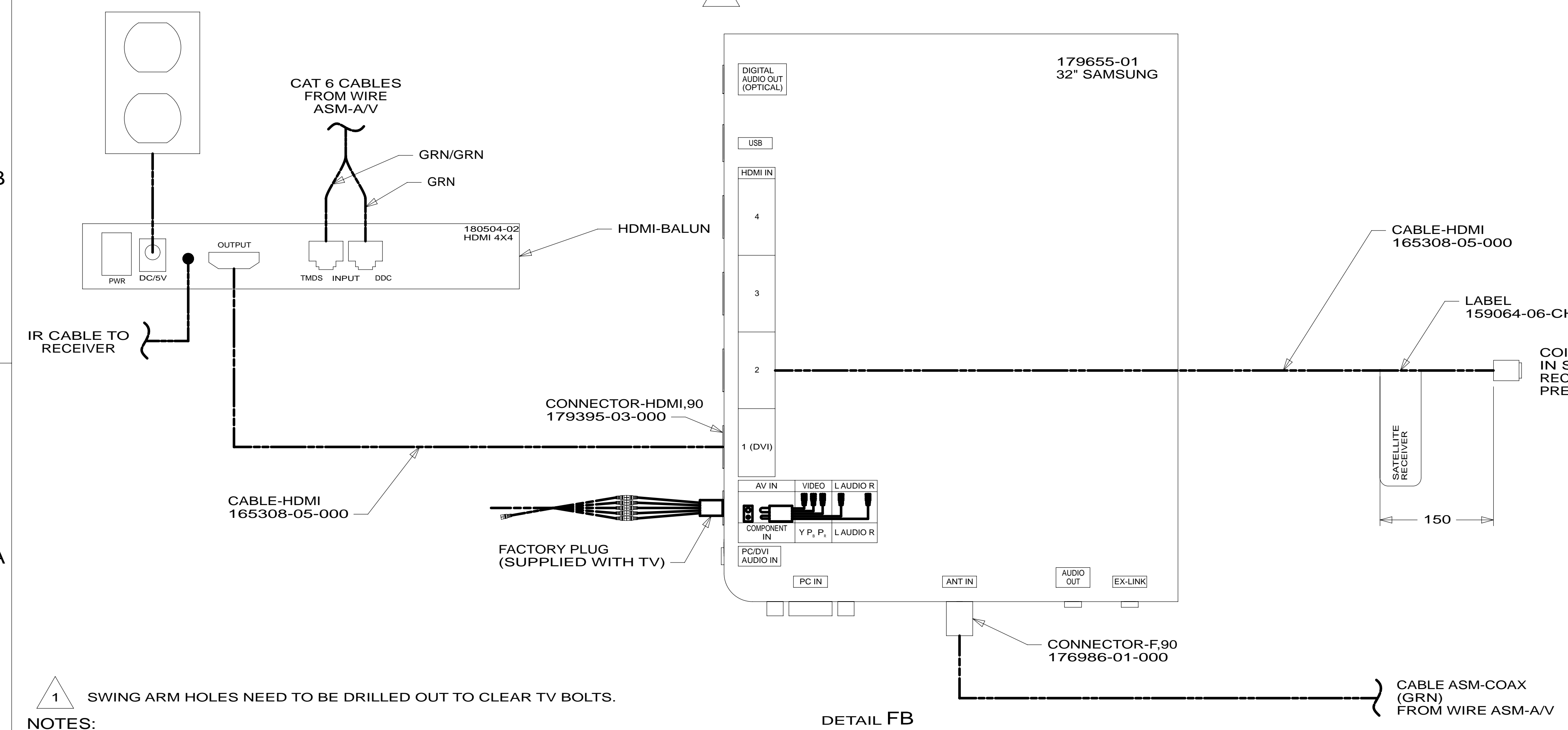
- 265 CODES/STANDARDS-CSA/CMVSS
- 1B1 CODES/STANDARDS USA

1B1	265
FIRST USED	
13 P-SERIES	
DO NOT SCALE DRAWING	
TITLE: WIRING INSTL-TV/DVD	
SHEET 5	PART NO 181553 REV

* 181553 *



VIEW FA
(TV NOT SHOWN)



DETAIL FB

NOTES:
1 SWING ARM HOLES NEED TO BE DRILLED OUT TO CLEAR TV BOLTS.

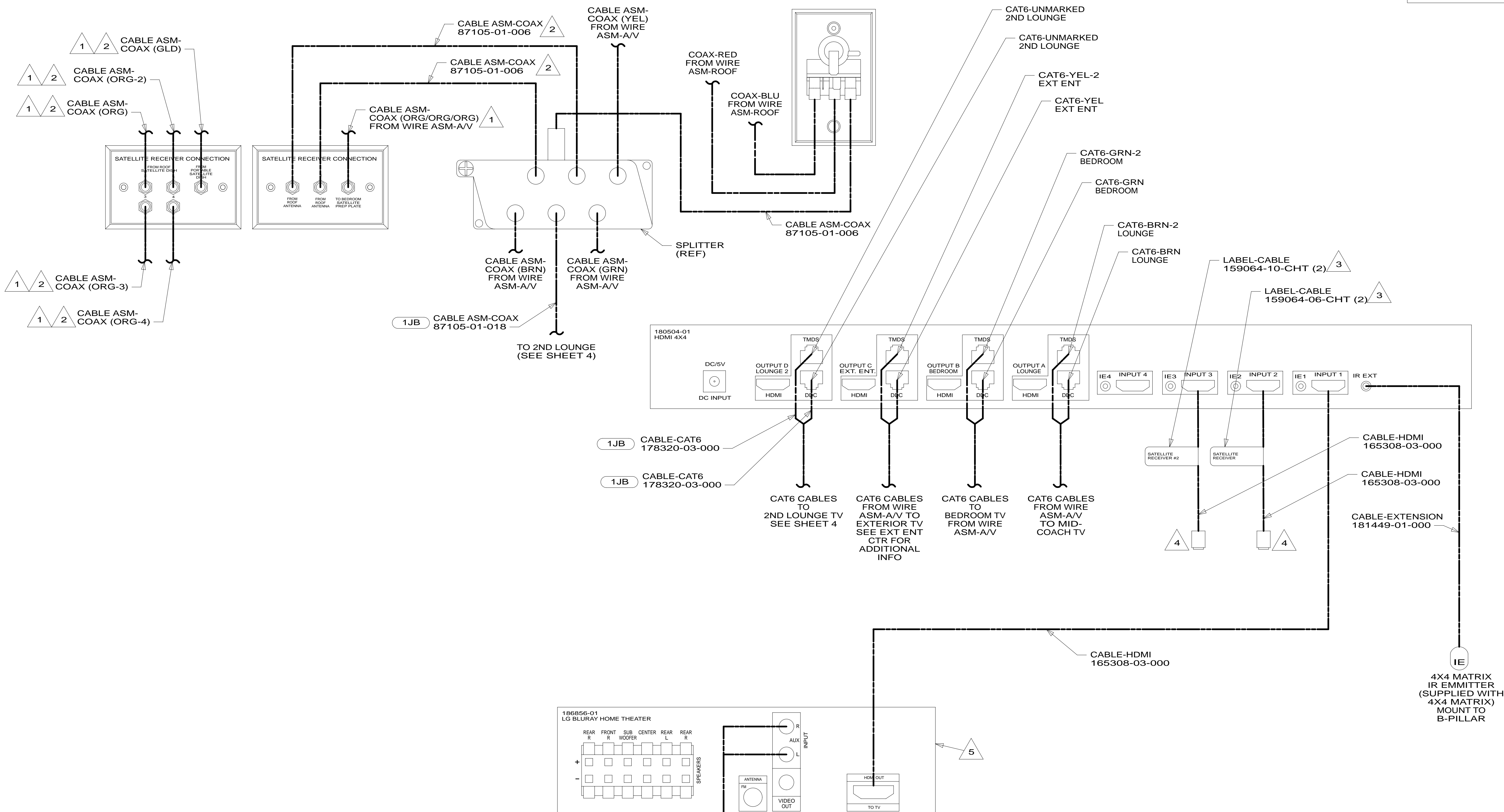
FOR ELECTRICAL TORQUE SPECIFICATIONS SEE DWG NO. 128783-01-000

FOR ELECTRICAL CALLOUTS SEE DWG NO. 121339-01-000

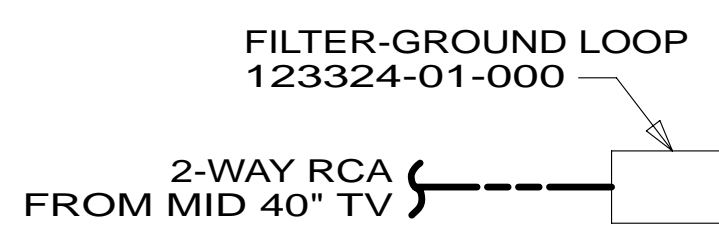
- 195 TV(REAR)-32" COLOR STEREO
- 265 CODES/STANDARDS-CSA/CMVSS
- 1B1 CODES/STANDARDS USA

1B1	265	195
FIRST USED		
13 P-SERIES		
DO NOT SCALE DRAWING		
TITLE: WIRING INSTL-TV/DVD		
SHEET 6	PART NO 181553	REV

* 181553 *



- NOTES:
- 5 SET DVD/BLU-RAY PLAYER FOR AUDIO ON HDMI AND MAX VIDEO OUTPUT TO 1080i.
 - 4 COIL CABLE IN SATELLITE PREPARED FOR FUTURE USE.
 - 3 ATTACH LABEL 100 MM FROM EACH END OF CABLE AND 400 MM FROM THE END OF THE IR EMITTER CABLE.
 - 2 CABLE CONNECTS TO REAR SIDE OF PLATE.
 - 1 CABLE ROUTED IN ROOF.



FOR ELECTRICAL TORQUE SPECIFICATIONS SEE DWG NO. 128783-01-000

FOR ELECTRICAL CALLOUTS SEE DWG NO. 121339-01-000

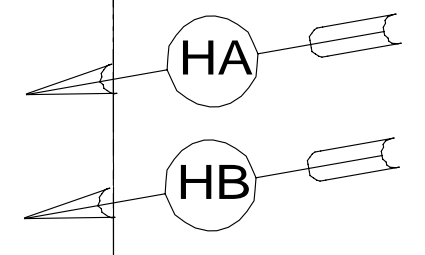
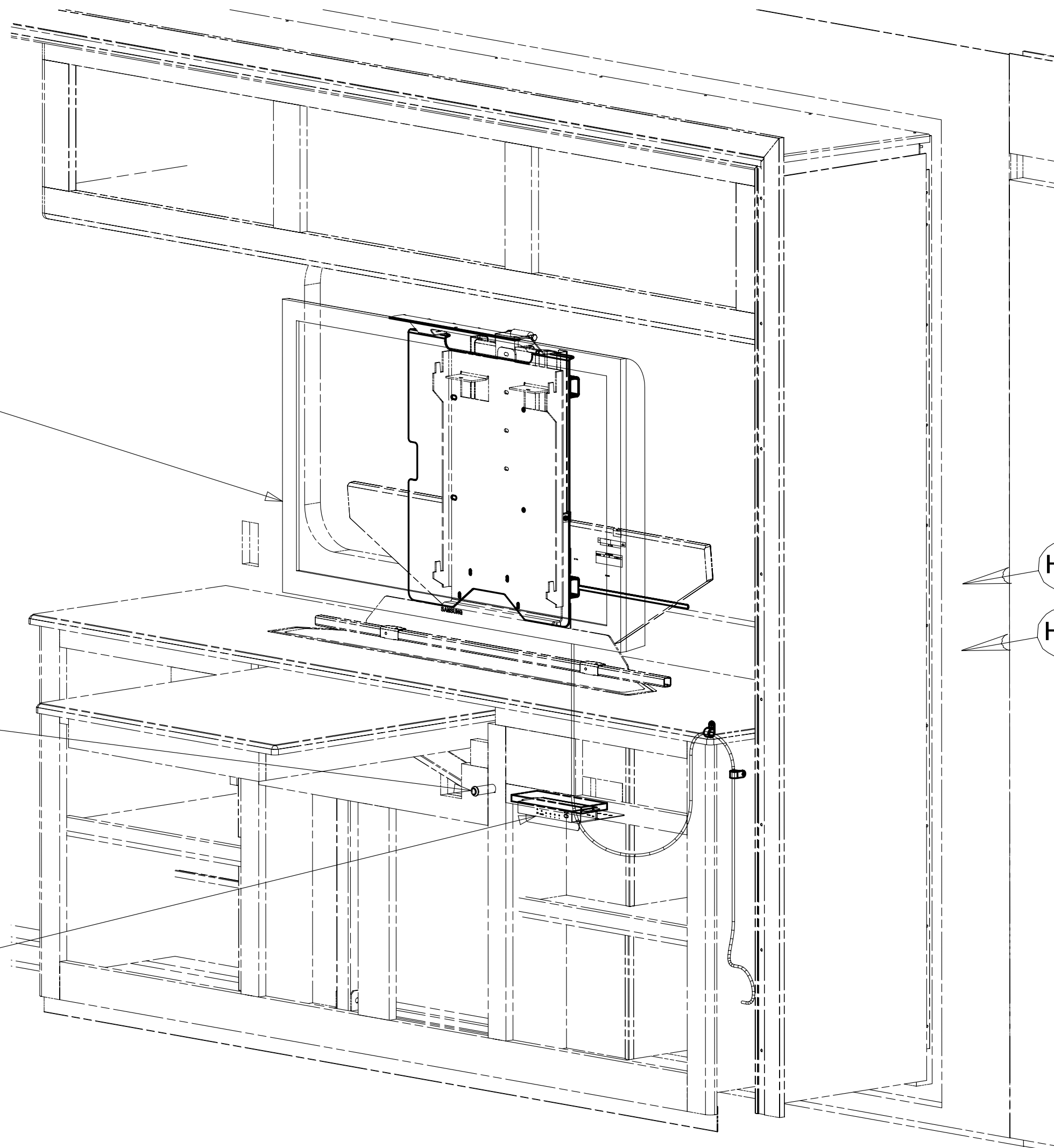
265	CODES/STANDARDS-CSA/CMVSS
1B1	CODES/STANDARDS USA
1B1	265
FIRST USED	
13 P-SERIES	
DO NOT SCALE DRAWING	
TITLE: WIRING INSTL-TV/DVD	
SHEET 7	PART NO 181553 REV
17-May-2013	

* 181553 * A

TV-40",FLAT
 PANEL LCD,HDTV
 176895-04-000
 SCREW
 OMG02B-06-016 (4)
 WASHER
 142195-02-CHT (4)
 (TV TO BRACKET)
 BRACKET ASM-
 MOUNTING,TV
 173816-09-CHT
 SCREW
 G39-10-12U (2)
 (TOP TUBE TO
 TV BRACKET)
 PLATE
 173660-22-CHT
 SCREW
 G11-08-12U (2)
 SEE DETAIL HC

MATRIX-HDMI,
 IR REC IN-WALL
 180504-08-000

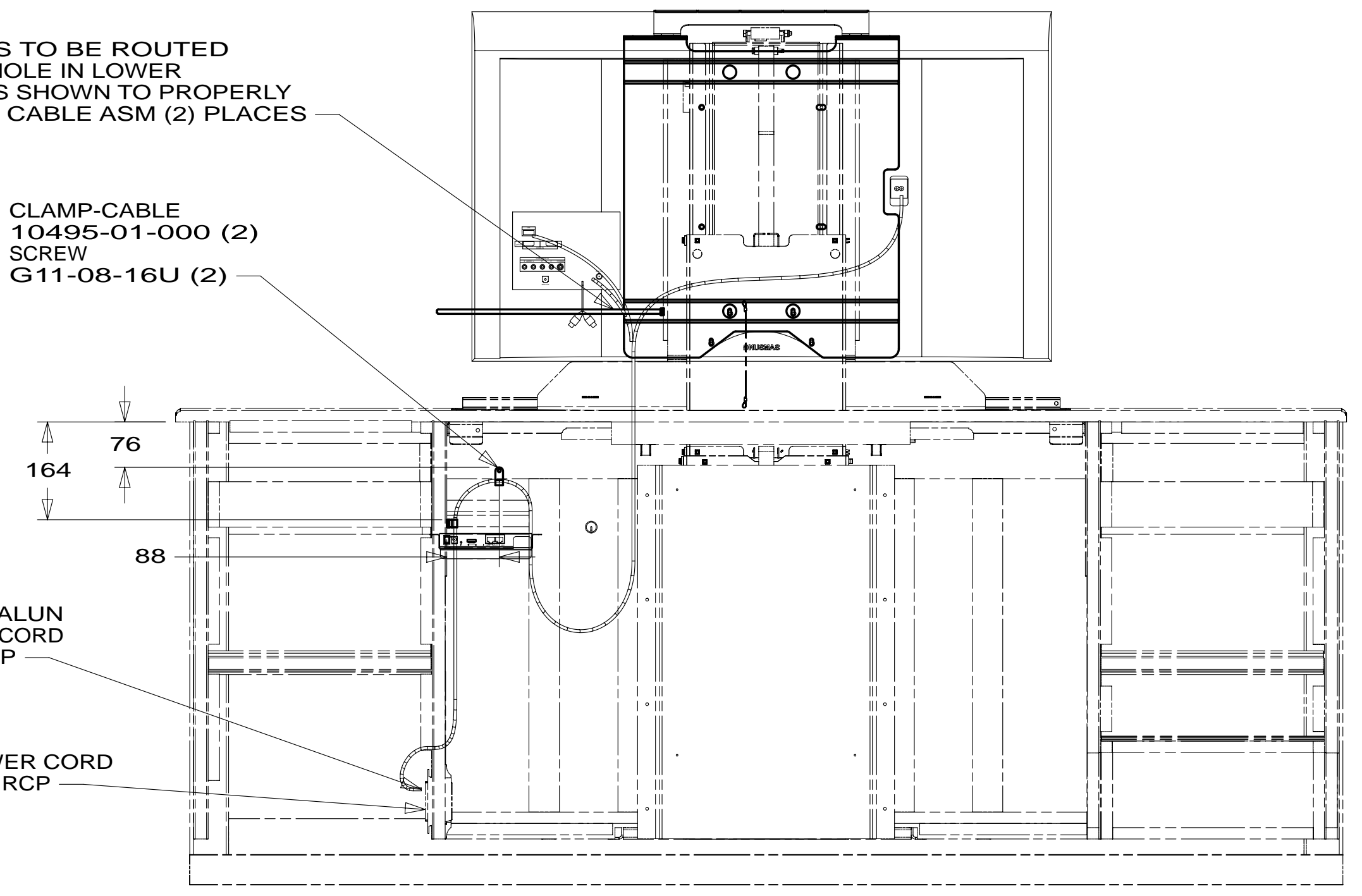
MATRIX-HDMI,
 BALUN GEN 2
 180504-07-000
 BRACKET-MOUNTING,
 RECEIVER
 180543-02-CHT
 SCREW
 G39-10-08U (2)
 TIE-WIRE
 8343-03-000 (3)



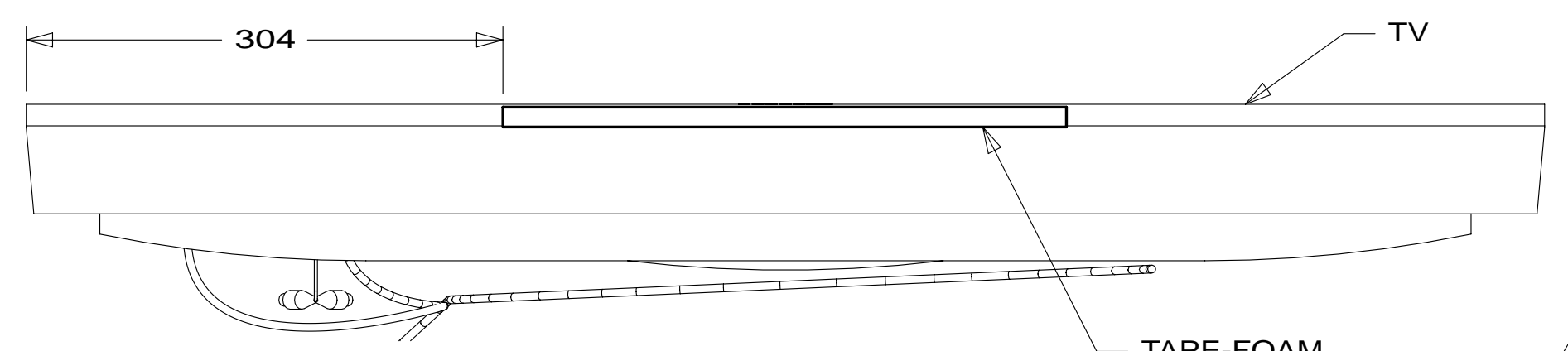
WIRE TIE IS TO BE ROUTED
 THROUGH HOLE IN LOWER
 BRACKET AS SHOWN TO PROPERLY
 SUPPORT CABLE ASM (2) PLACES

CLAMP-CABLE
 10495-01-000 (2)
 SCREW
 G11-08-16U (2)

HDMI BALUN
 POWER CORD
 TOP RCP
 TV POWER CORD
 LOWER RCP

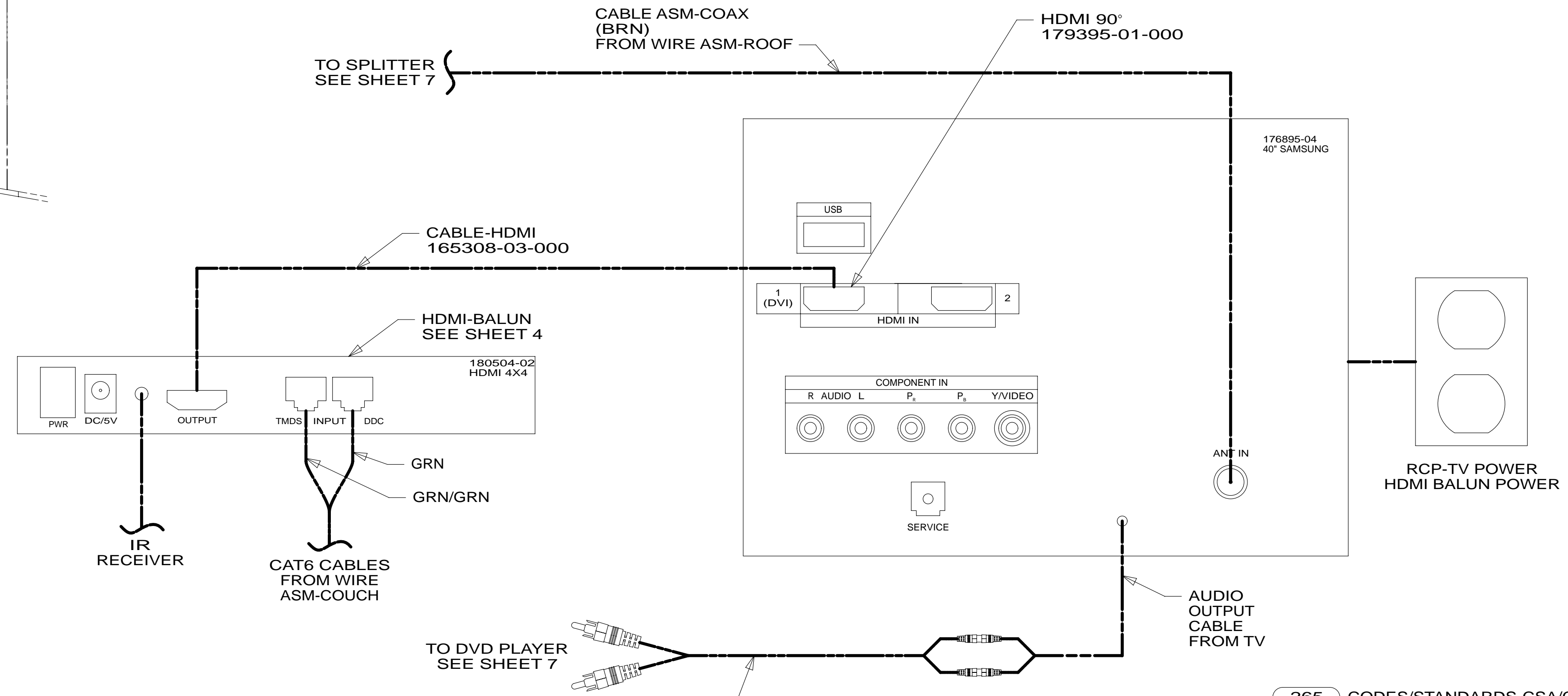


VIEW HB



DETAIL HC

TAPE-FOAM
 076322-21-000 (360) 4



TO SPLITTER
 SEE SHEET 7

CABLE-HDMI
 165308-03-000

HDMI-BALUN
 SEE SHEET 4

180504-02
 HDMI 4X4

GRN
 GRN/GRN

CAT6 CABLES
 FROM WIRE
 ASM-COUCH

IR
 RECEIVER

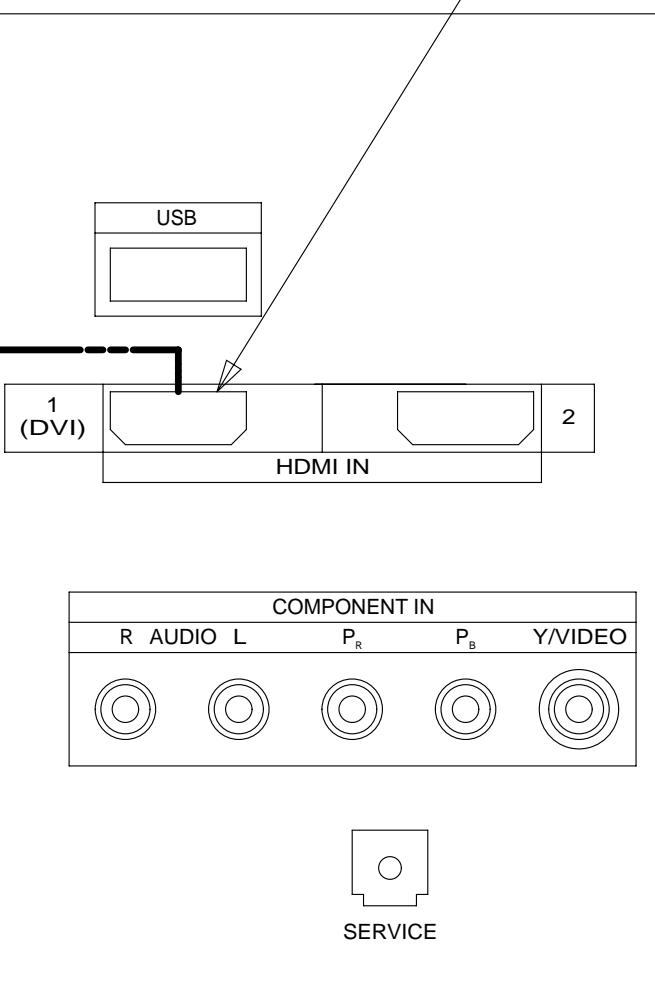
TO DVD PLAYER
 SEE SHEET 7

CABLE-RCA,2-WAY
 FROM WIRE ASM-AV

CABLE ASM-COAX
 (BRN)
 FROM WIRE ASM-ROOF

HDMI 90°
 179395-01-000

176895-04
 40" SAMSUNG



RCP-TV POWER
 HDMI BALUN POWER

AUDIO
 OUTPUT
 CABLE
 FROM TV

4 CLEAN AND APPLY ADHESIVE PROMOTER 87211-01-000 TO BOTH SURFACES AND BOND WHERE TOP FLANGE OF BRACKET CONTACTS PLASTIC TV BEZEL.

3. WHERE WIRES PASS THROUGH HOLES IN STEEL AND NOT OTHERWISE PROTECTED, USE GROMMET 92908-02-000.

2. ALL WIRES TO BE SECURED WITH CLAMP 10495-01-000 OR CLIP 80734-01-000 EVERY 600MM. USE SCREW G67-10-12U UNLESS OTHERWISE SPECIFIED.

1. 110V WIRE TO BE CLAMPED WITH CLAMP 10497-05-000 WITHIN 200MM OF OUTLET BOXES, USE SCREW G67-10-12U.

NOTES:

265 CODES/STANDARDS-CSA/CMVSS

1B1 CODES/STANDARDS USA

1B1 265

FIRST USED
13 P-SERIES

DO NOT SCALE DRAWING

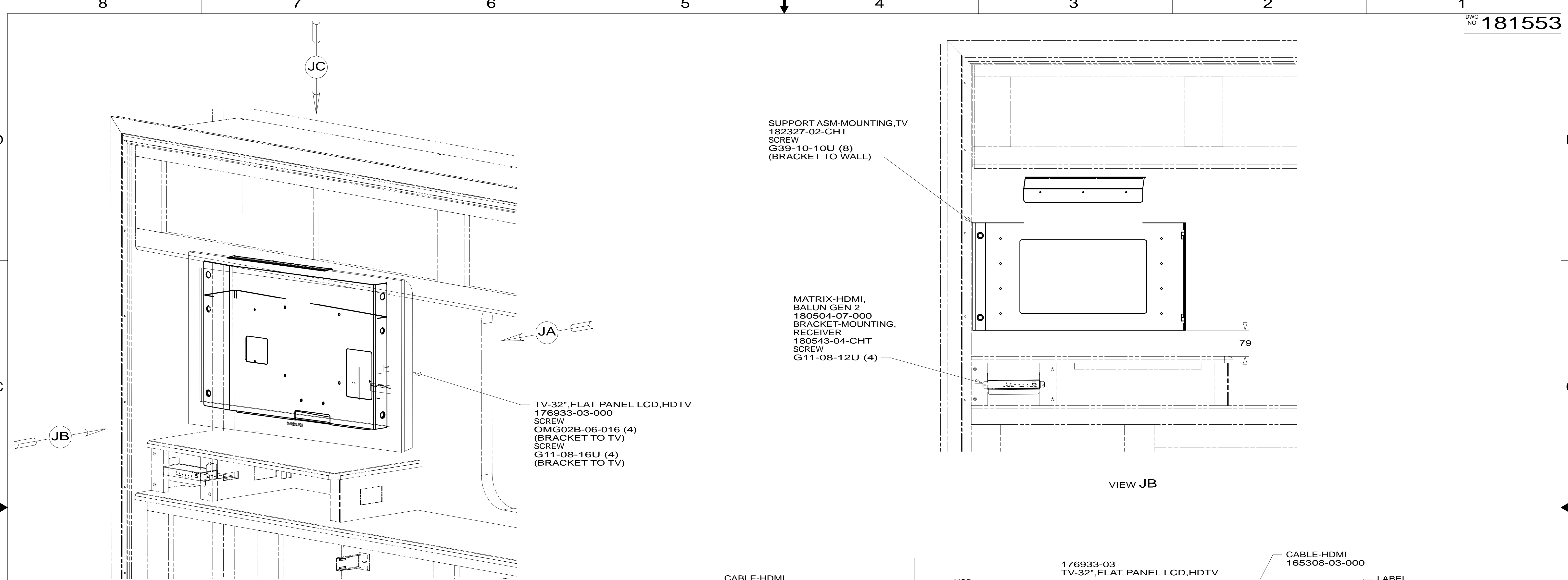
TITLE:
WIRING INSTL-TV/DVD

SHEET 8 PART NO **181553** REV

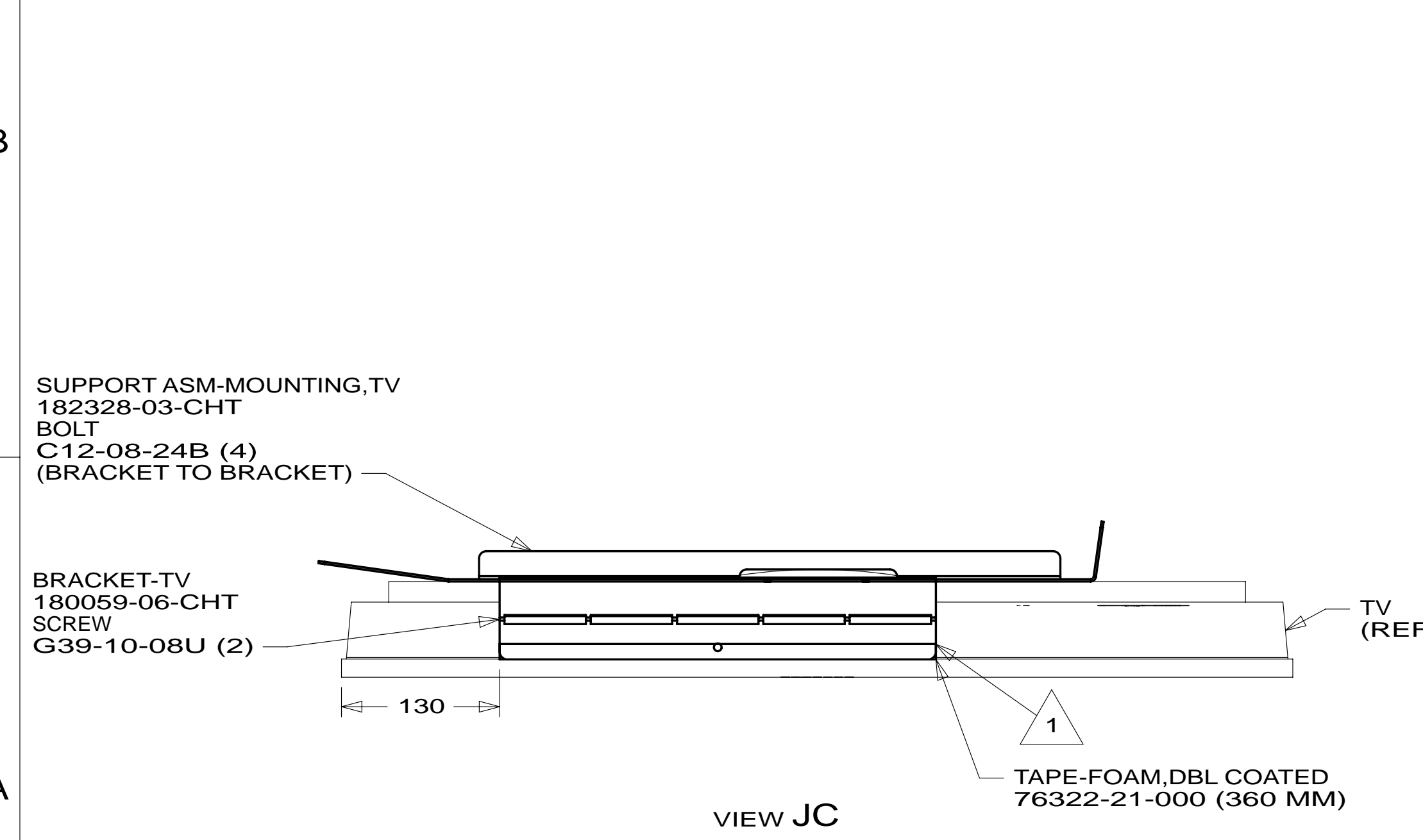
FOR ELECTRICAL
 TORQUE
 SPECIFICATIONS
 SEE DWG NO.
 128783-01-000

FOR ELECTRICAL
 CALLOUTS
 SEE DWG NO.
 121339-01-000

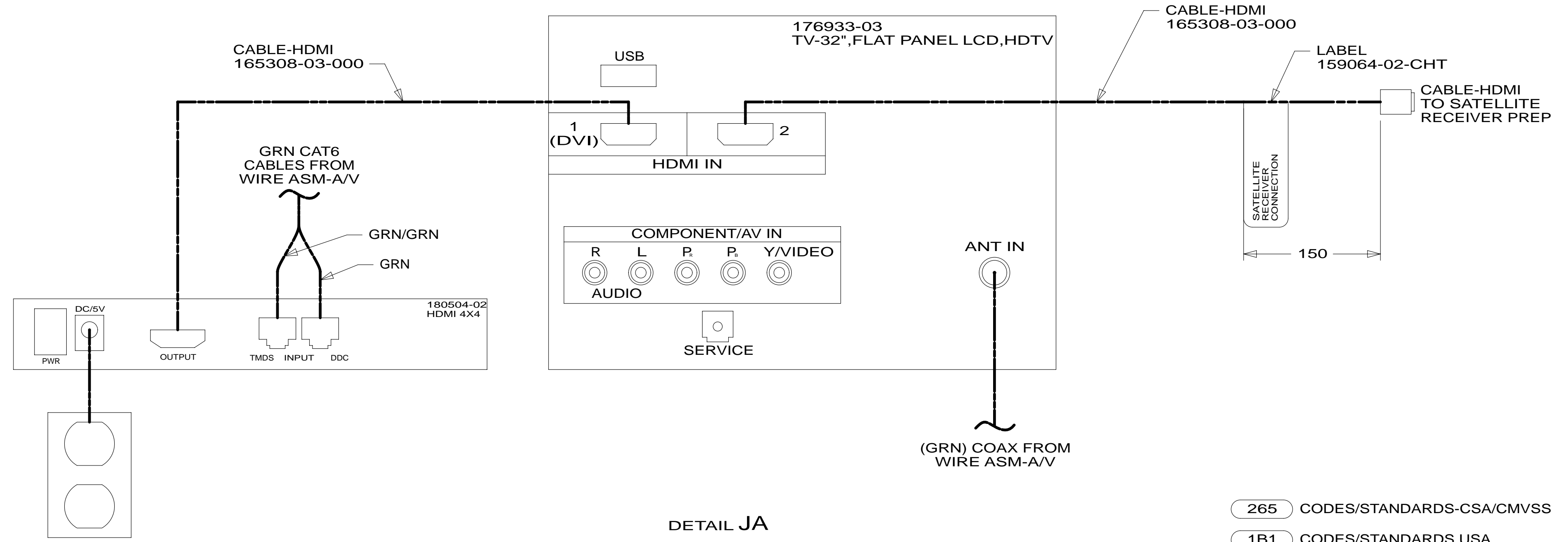
* 181553 *



VIEW JB



VIEW JC



DETAIL JA

1 CLEAN AND APPLY ADHESIVE PROMOTER 87211-01-000 TO BOTH SURFACES AND BOND WHERE TOP FLANGE OF BRACKET CONTACTS PLASTIC TV BEZEL.

NOTES:

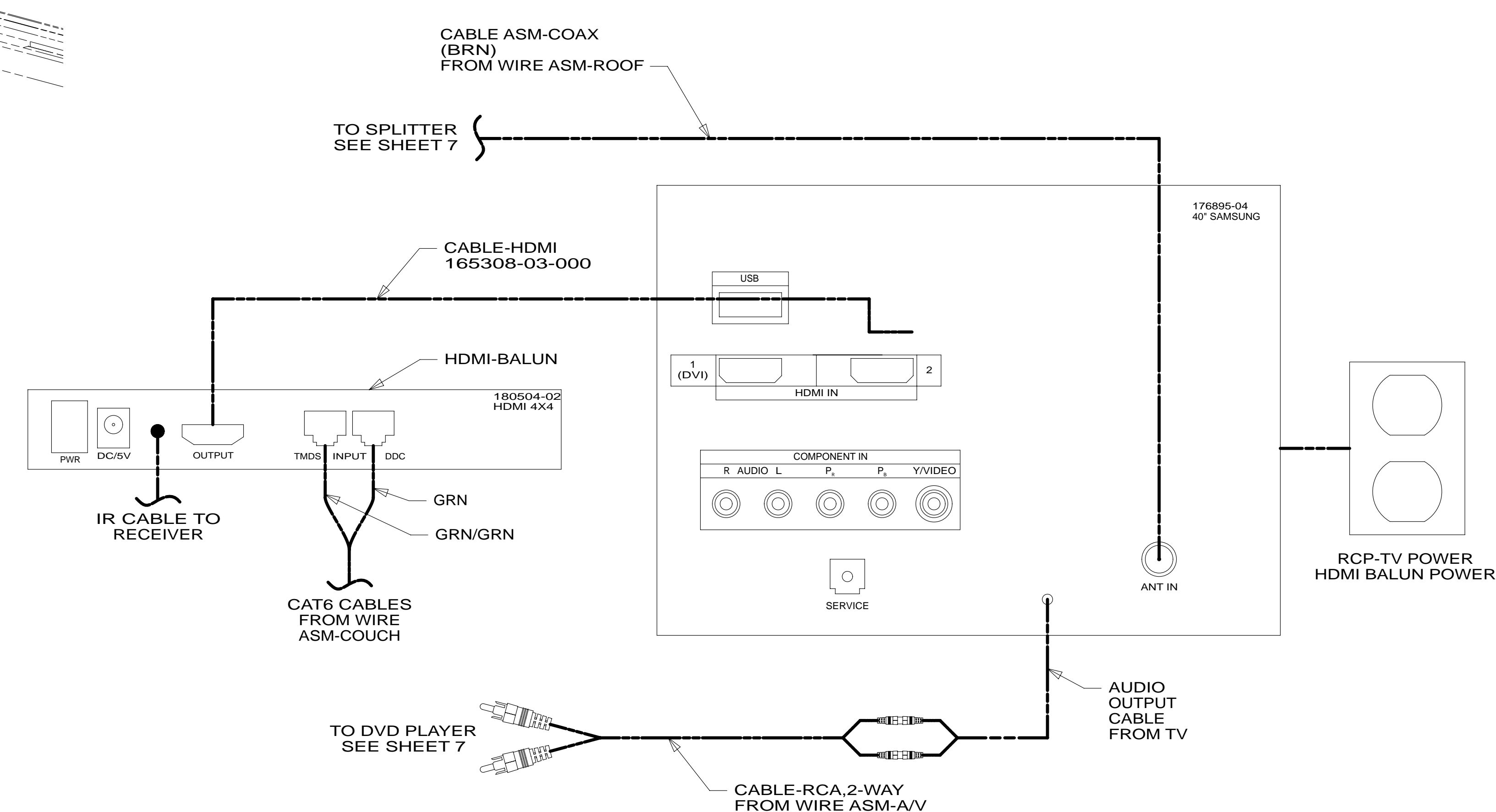
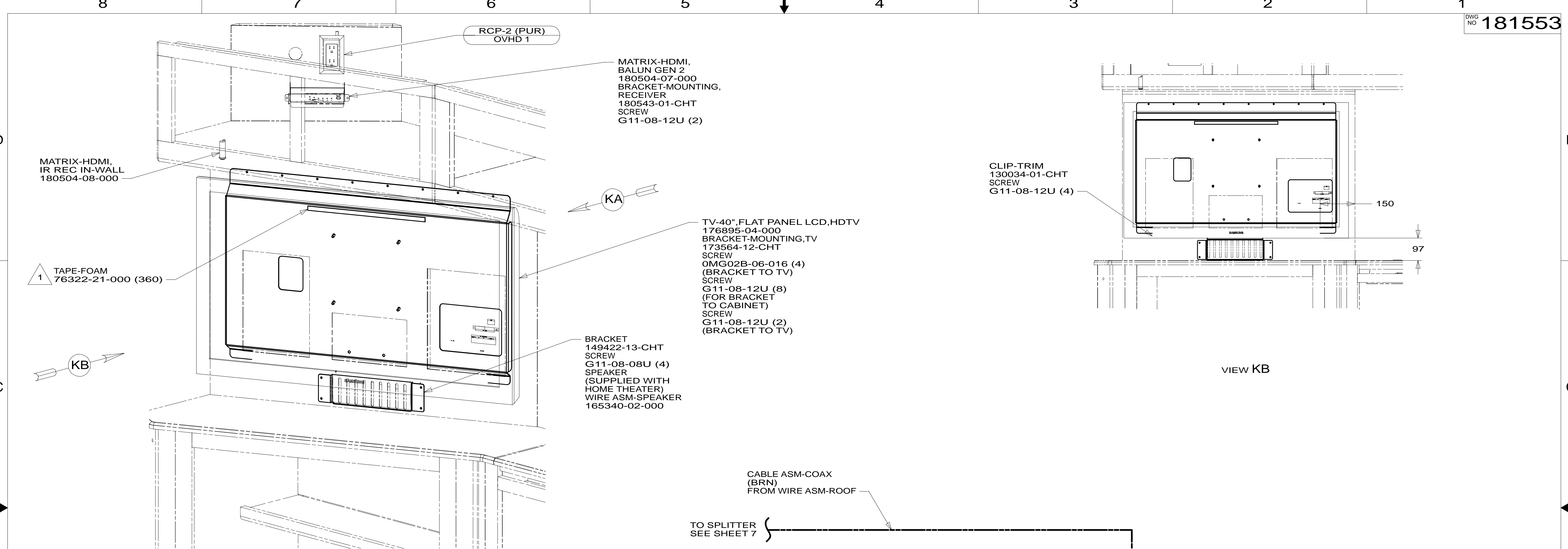
FOR ELECTRICAL TORQUE SPECIFICATIONS SEE DWG NO. 128783-01-000

FOR ELECTRICAL CALLOUTS SEE DWG NO. 121339-01-000

- 265 CODES/STANDARDS-CSA/CMVSS
- 1B1 CODES/STANDARDS USA

1B1	265
FIRST USED	
13 P-SERIES	
DO NOT SCALE DRAWING	
TITLE: WIRING INSTL-TV/DVD	
SHEET 9	PART NO 181553 REV

* 181553 *



1 CLEAN AND APPLY ADHESIVE PROMOTER 87211-01-000 TO BOTH SURFACES AND BOND WHERE TOP FLANGE OF BRACKET CONTACTS PLASTIC TV BEZEL.

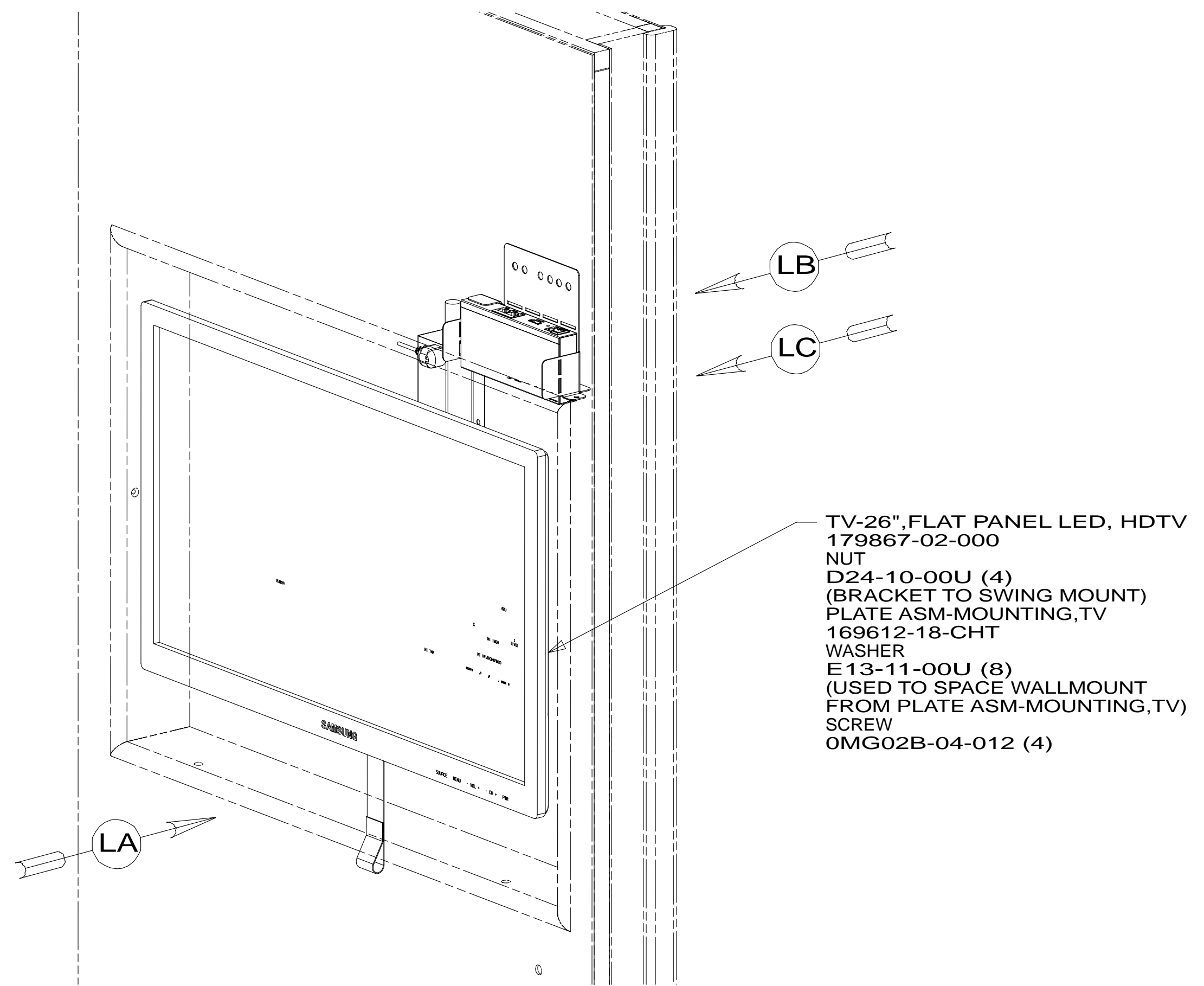
FOR ELECTRICAL TORQUE SPECIFICATIONS SEE DWG NO. 128783-01-000

FOR ELECTRICAL CALLOUTS SEE DWG NO. 121339-01-000

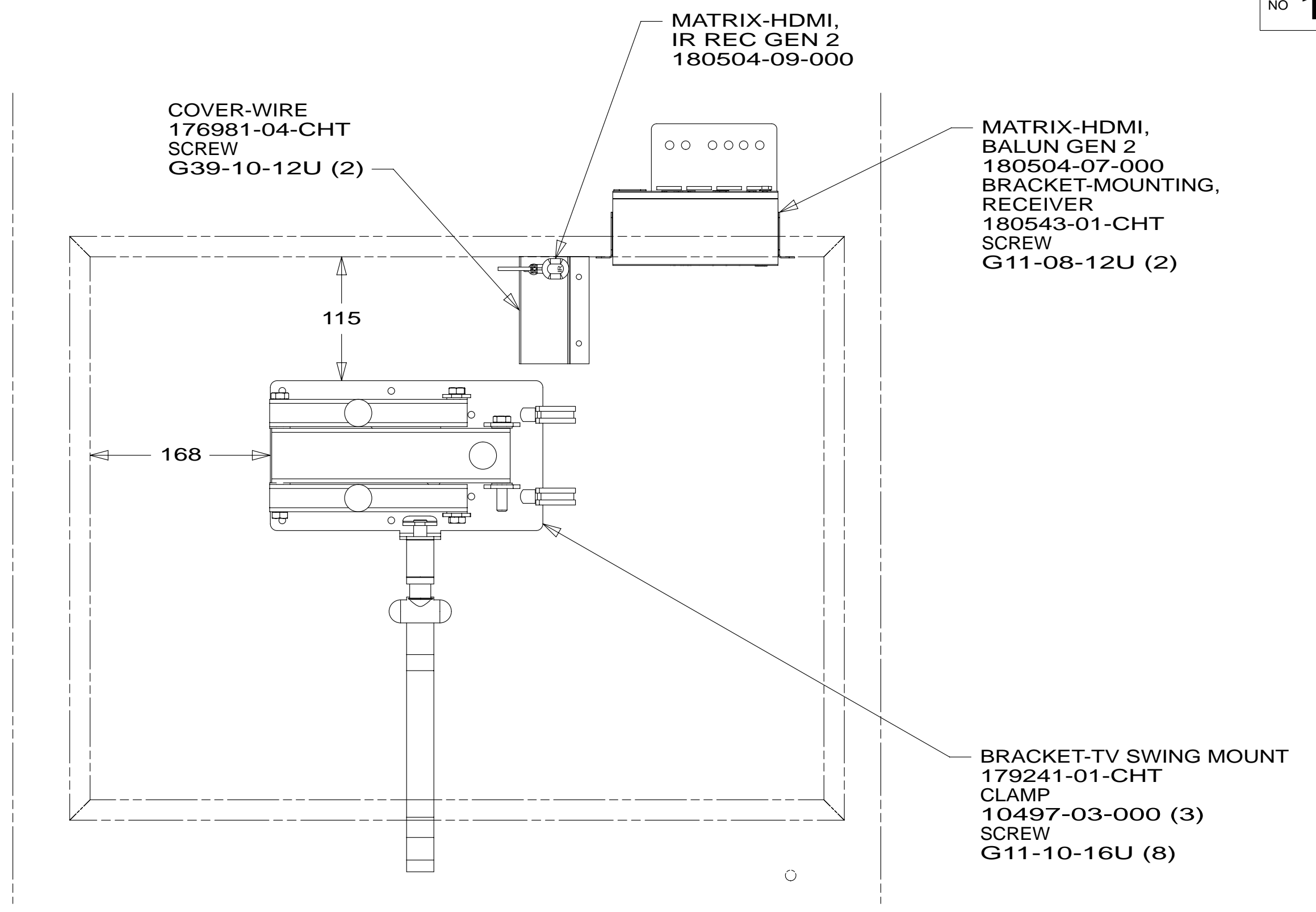
265 CODES/STANDARDS-CSA/CMVSS
1B1 CODES/STANDARDS USA

1B1	265
FIRST USED	
13 P-SERIES	
DO NOT SCALE DRAWING	
TITLE: WIRING INSTL-TV/DVD	
SHEET 10	PART NO 181553 REV

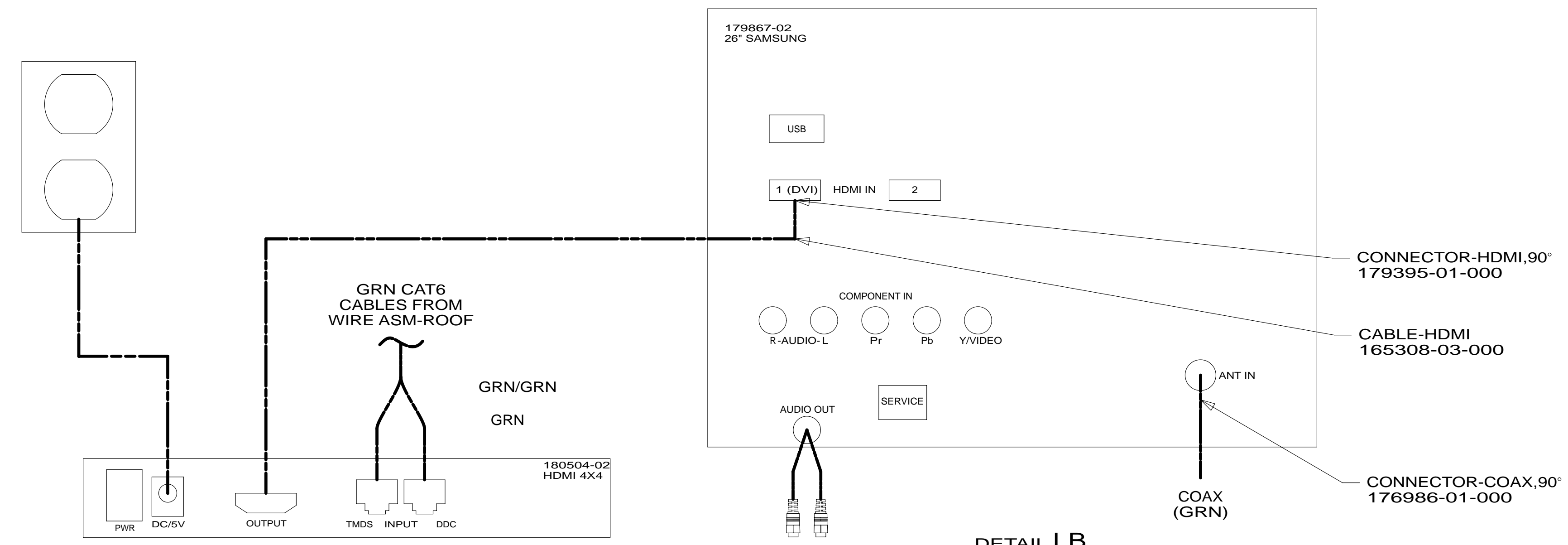
* 181553 * A



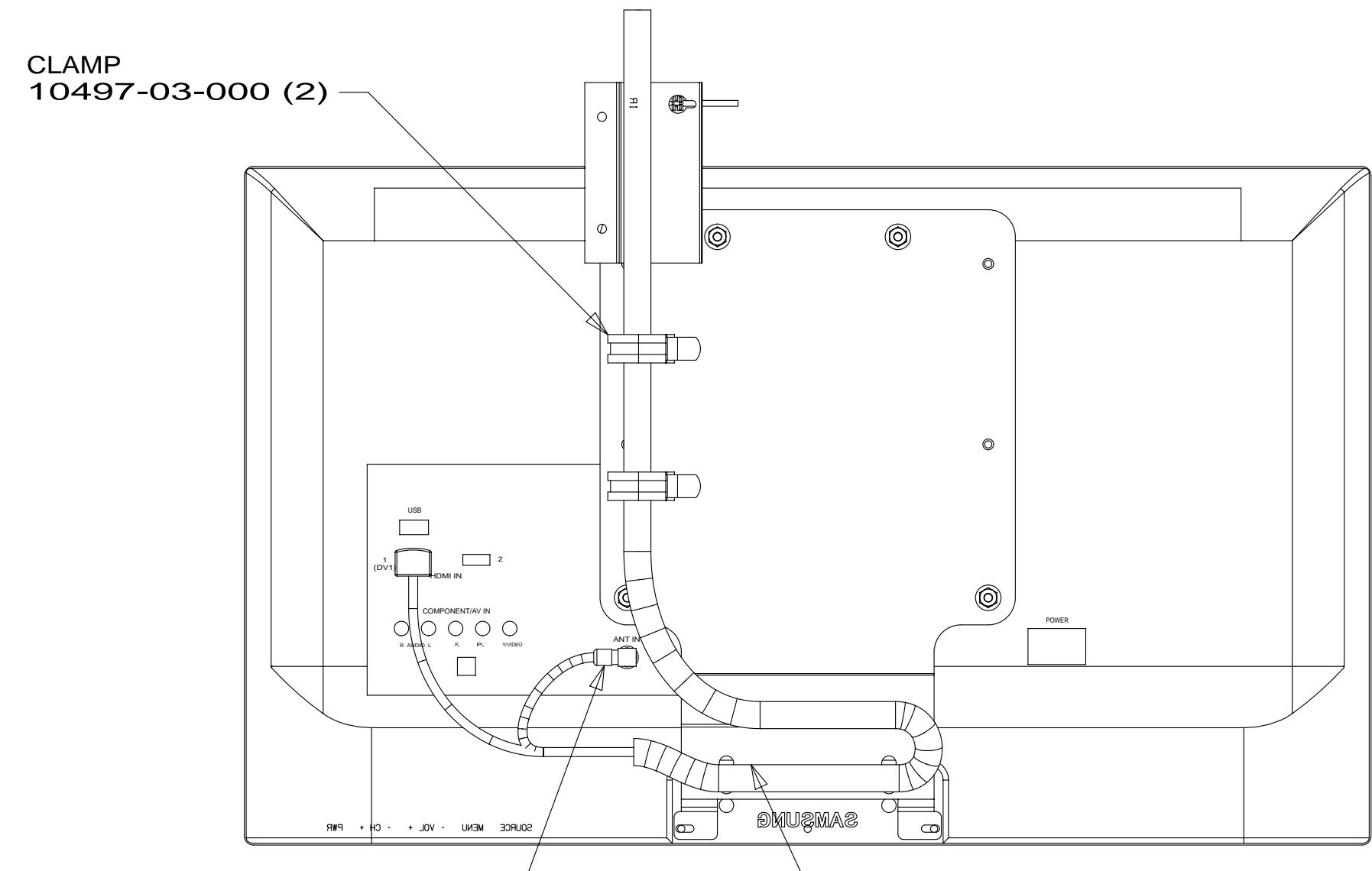
TV-26", FLAT PANEL LED, HDTV
179867-02-000
NUT
D24-10-00U (4)
(BRACKET TO SWING MOUNT)
PLATE ASM-MOUNTING, TV
169612-18-CHT
WASHER
E13-11-00U (8)
(USED TO SPACE WALLMOUNT
FROM PLATE ASM-MOUNTING, TV)
SCREW
0MG02B-04-012 (4)



VIEW LA



DETAIL LB



VIEW LC

1 USE HOLES ON PLATE-MOUNTING, TV TO ATTACH WIRE ASM TO PLATE-MOUNTING, TV WITH WIRE TIES

NOTES:

FOR ELECTRICAL TORQUE SPECIFICATIONS SEE DWG NO. 128783-01-000

FOR ELECTRICAL CALLOUTS SEE DWG NO. 121339-01-000

265 CODES/STANDARDS-CSA/CMVSS
1B1 CODES/STANDARDS USA

1B1 265

FIRST USED
13 P-SERIES

DO NOT SCALE DRAWING

TITLE:
WIRING INSTL-TV/DVD

SHEET 11 PART NO **181553** REV