



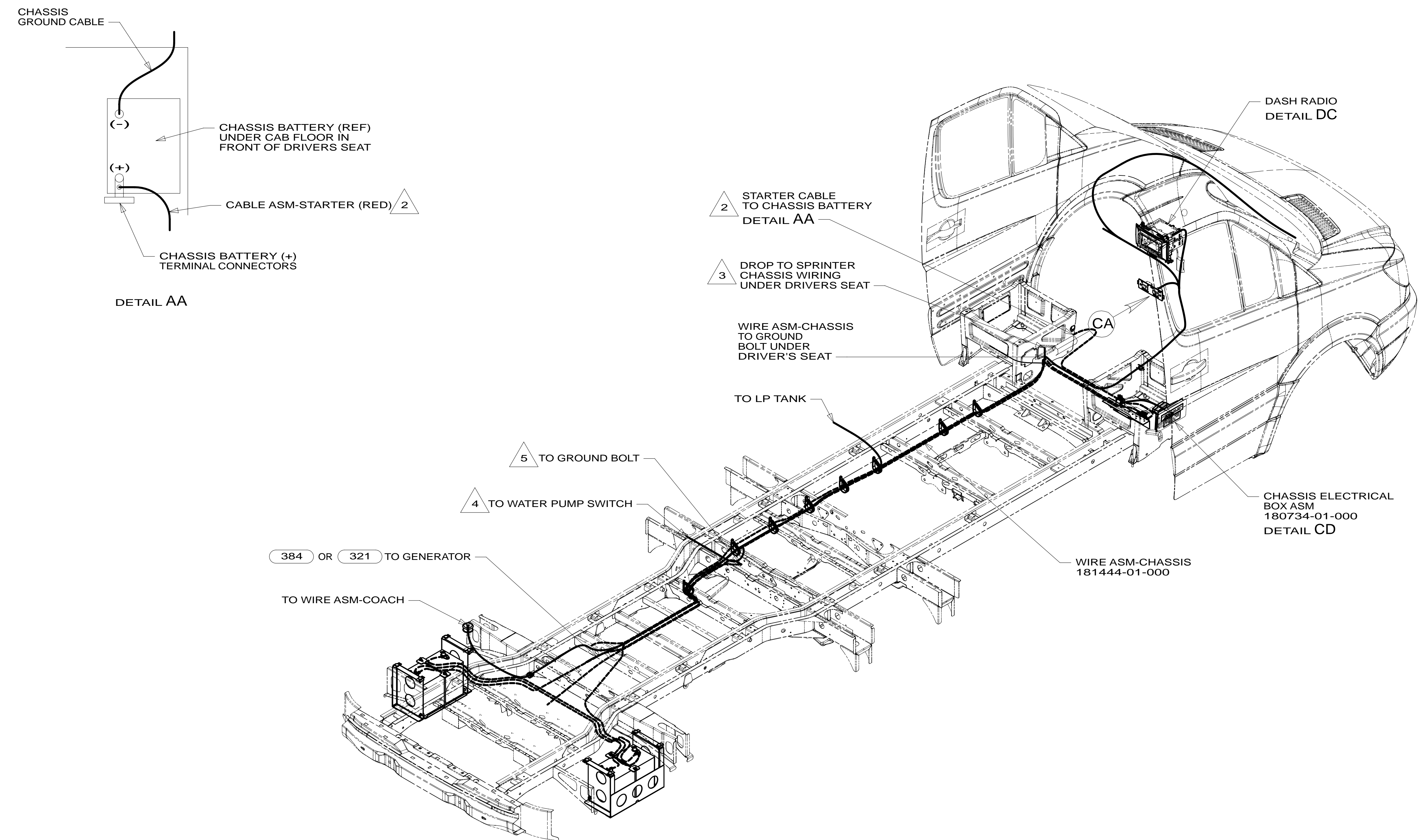
DANGER

Danger of electrical shock, burns or death. Always remove all power sources before attempting any repair, service or diagnostic work. Power can be present from shore power, generator, inverter or battery. All power sources must be disabled and secured before performing any service.



CAUTION

If you lack the skills, tools or equipment to perform diagnostic or repair work leave such work to an authorized Winnebago Industries dealer or other qualified shop.



- 5 REMOVE PAINT AND UNDER COATING FROM GROUND BOLT AND NUT TO INSURE PROPER CONTACT.
- 4 SEE WIRING INSTL-BODY,12V FOR ADDITIONAL INFORMATION.
- 3 CUT WIRE TIE AROUND SPRINTER SEAL, ROUTE THE CHASSIS WIRING THROUGH HOLE AND WIRE TIE SEAL WITH WIRE TIE 8343-04-000.
- 2 SEE BATTERY INSTL. FOR ADDITIONAL INFORMATION.
1. SECURE CONDUIT 41953, TAB AS REQUIRED, OVER ALL WIRES IN CONTACT WITH SHARP EDGES.

NOTES:

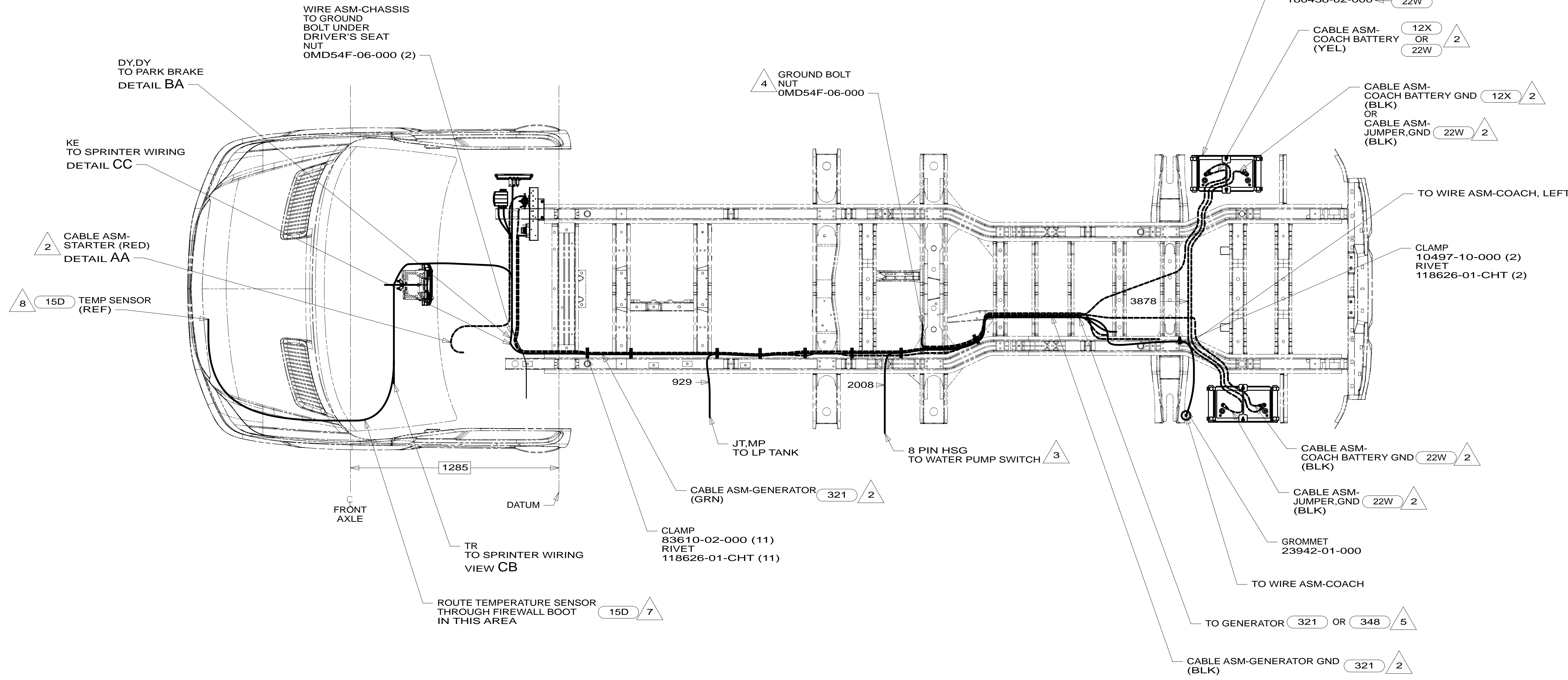
- 384 GEN 2.5KW ONAN-MICROLITE
- 321 GENERATOR PREP KIT
- 1KD DODGE-8,550# GVWR, DIESEL
- 265 CODES/STANDARDS-CSA/CMVSS
- 1B1 CODES/STANDARDS USA

		COPYRIGHT 2013 WINNEBAGO INDUSTRIES, INC.
DFT-ORIG	ORIG. DATE	
CHKR		ALL DIMENSIONS ARE IN MILLIMETERS
P.E.		
M.E.	FIRST USED	13 170A
DSNR		
UNSPECIFIED TOLERANCES ARE:		MATERIAL:
WHOLE DIM (X)	: 3	
ONE-PLACE (X.X)	: 1.5	
TWO-PLACE (X.XX)	: 0.50	
ANGLE	: 1°	
THIRD ANGLE PROJECTION		
DO NOT SCALE DRAWING	REFER TO ES0018 FOR FASTENER TIGHTENING GUIDELINES	
TITLE: WIRING INSTL-CHASSIS		
SHEET 1 OF 5	PART NO 181252	REV
REF:	1	25-Feb-2013

FOR ELECTRICAL TORQUE SPECIFICATIONS SEE DWG NO. 128783-01-000

X-X FOR ELECTRICAL CALLOUTS SEE DWG NO. 121339-01-000

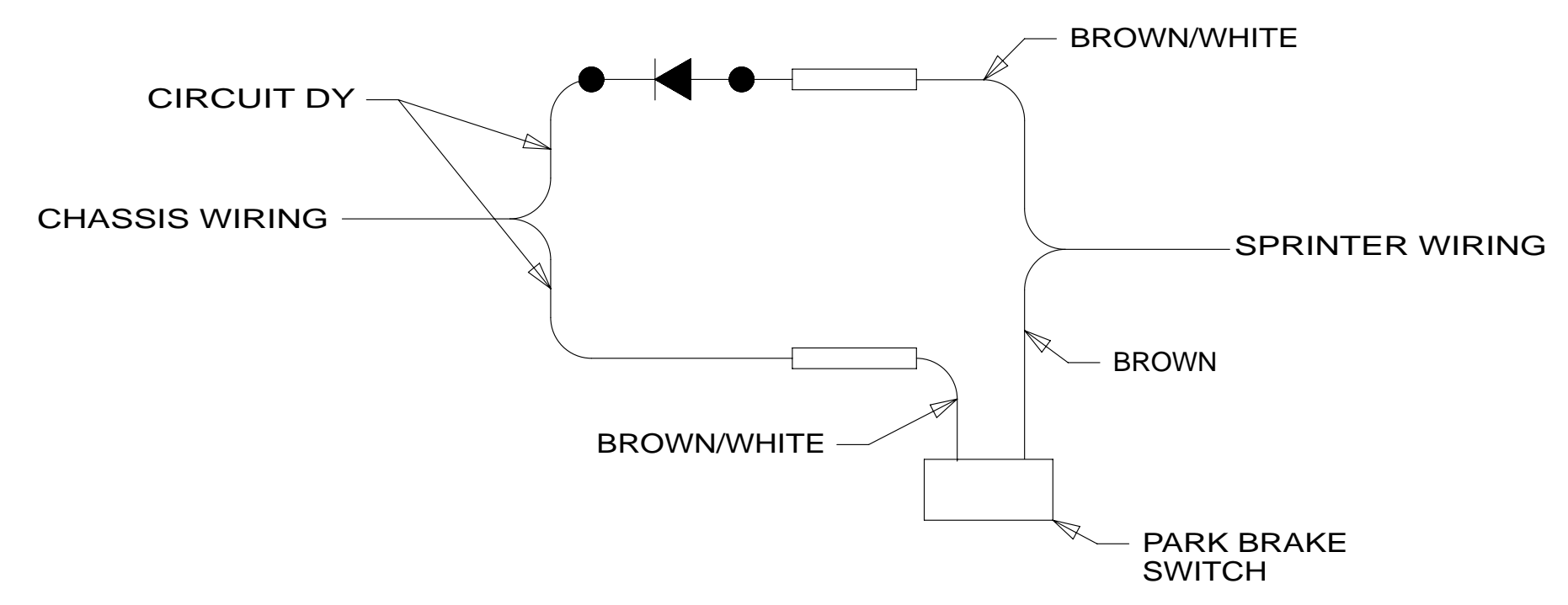
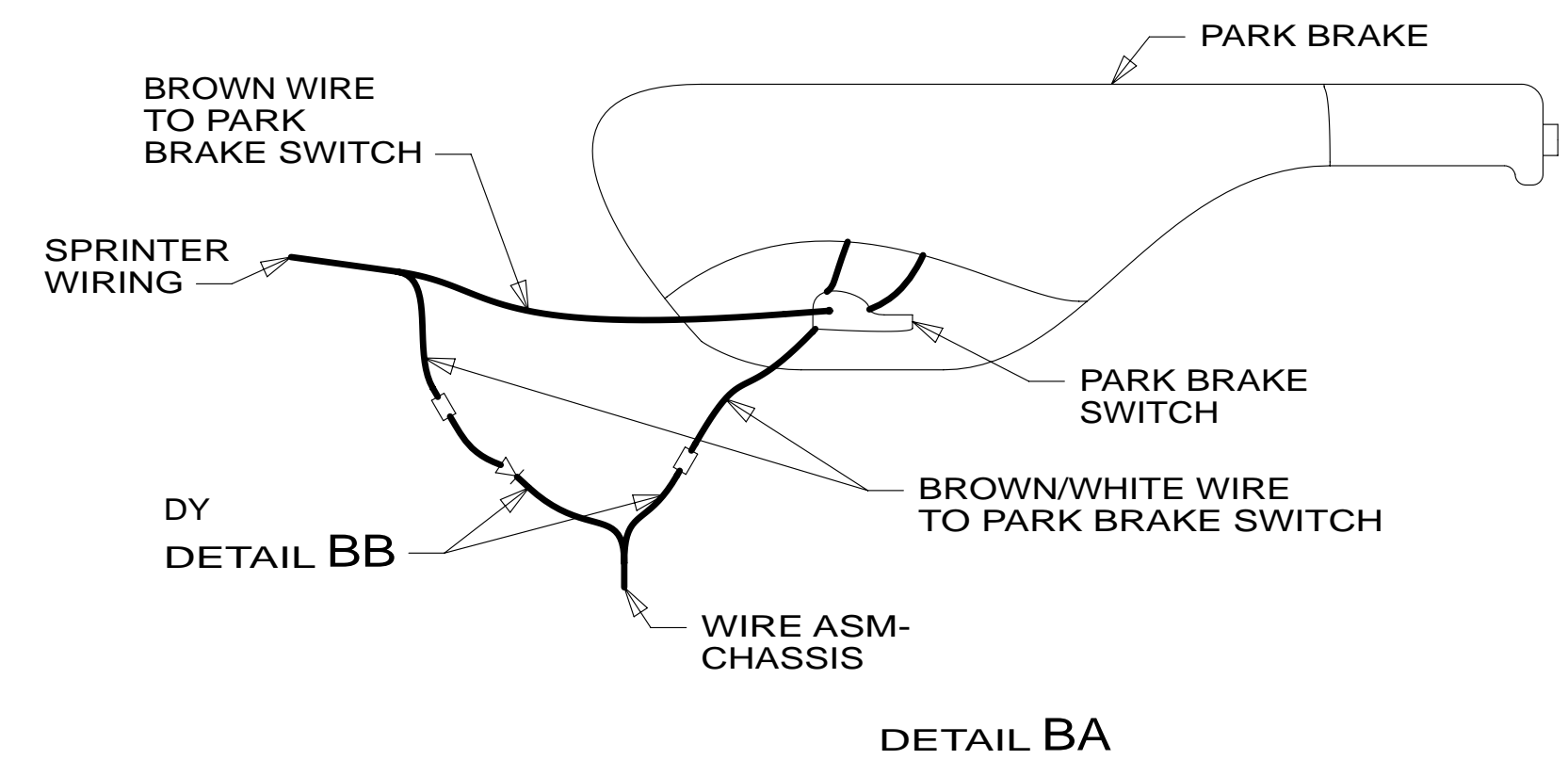
* 181252 * * A



- 8 DRILL 16MM HOLE THRU BUMPER COVER BEHIND LICENSE PLATE BRACKET AND INSTALL SENSOR.
- 7 SEE SHT 4 FOR ADDITIONAL INFORMATION.
- 6 CUT BROWN/BLACK WIRE FROM PARK BRAKE SWITCH AND RECONNECT TO CIRCUIT DY OF WIRE ASM-CHASSIS AS SHOWN.
- 5 SEE GENERATOR INSTL FOR ADDITIONAL INFORMATION.
- 4 REMOVE PAINT AND UNDER COATING FROM GROUND BOLT AND NUT TO INSURE PROPER CONTACT.
- 3 SEE WIRING INSTL-BODY,12V FOR ADDITIONAL INFORMATION.
- 2 SEE BATTERY INSTL. FOR ADDITIONAL INFORMATION.

1. SECURE CONDUIT 41953, TAB AS REQUIRED, OVER ALL WIRES IN CONTACT WITH SHARP EDGES.

NOTES:



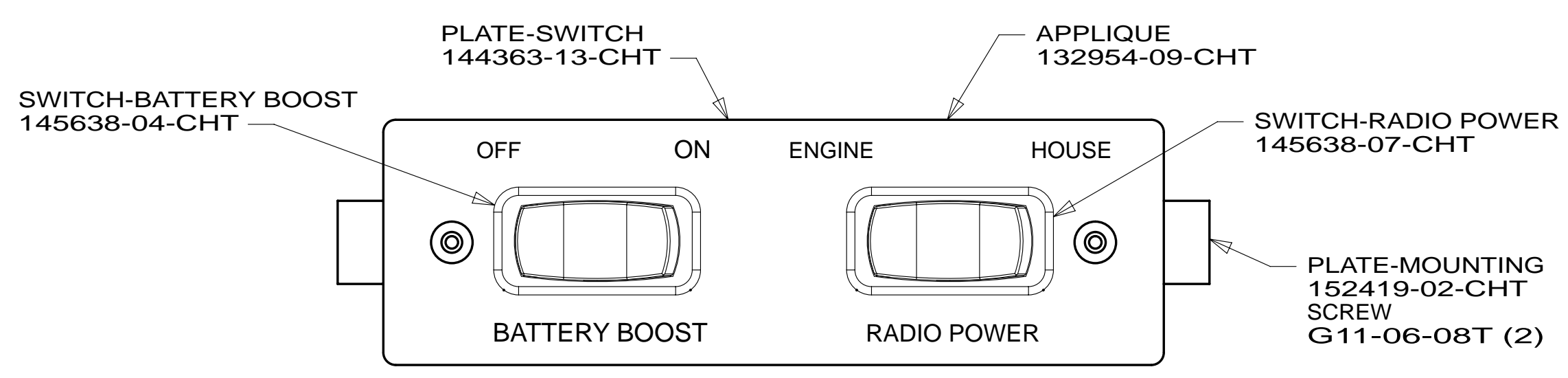
- 15D INFOTAINMENT CENTER/GPS
- 22W BATTERY-SECOND
- 1A3 GENERATOR WITHOUT
- 384 GEN 2.5KW ONAN-MICROLITE
- 321 GENERATOR PREP KIT
- 12X BATTERY-ONE
- 1KD DODGE-8,550# GVWR, DIESEL
- 265 CODES/STANDARDS-CSA/CMVSS
- 1B1 CODES/STANDARDS USA

1B1	265	1KD
FIRST USED		
13 170A		
DO NOT SCALE DRAWING		
TITLE: WIRING INSTL-CHASSIS		
SHEET 2	PART NO. 181252	REV

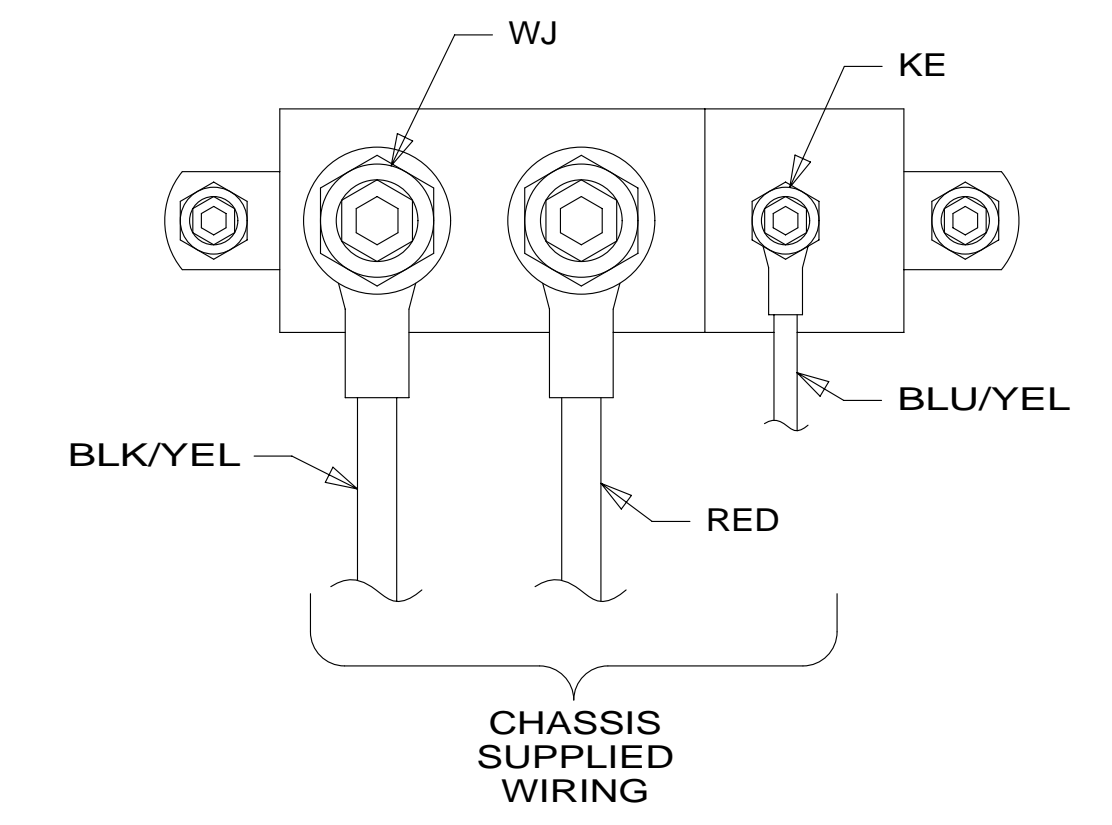
FOR ELECTRICAL TORQUE SPECIFICATIONS SEE DWG NO. 128783-01-000

FOR ELECTRICAL CALLOUTS SEE DWG NO. 121339-01-000

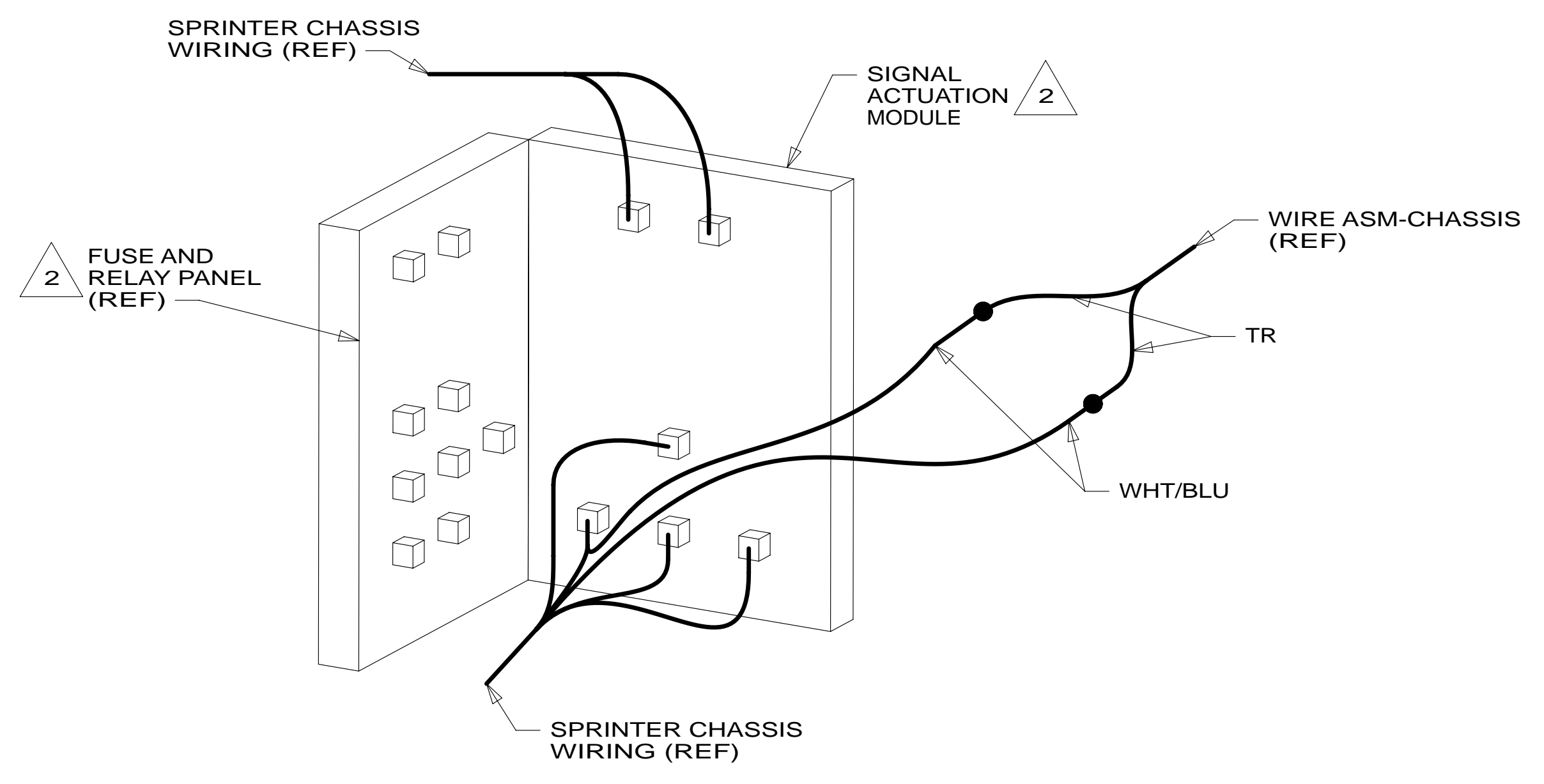
* 181252 *



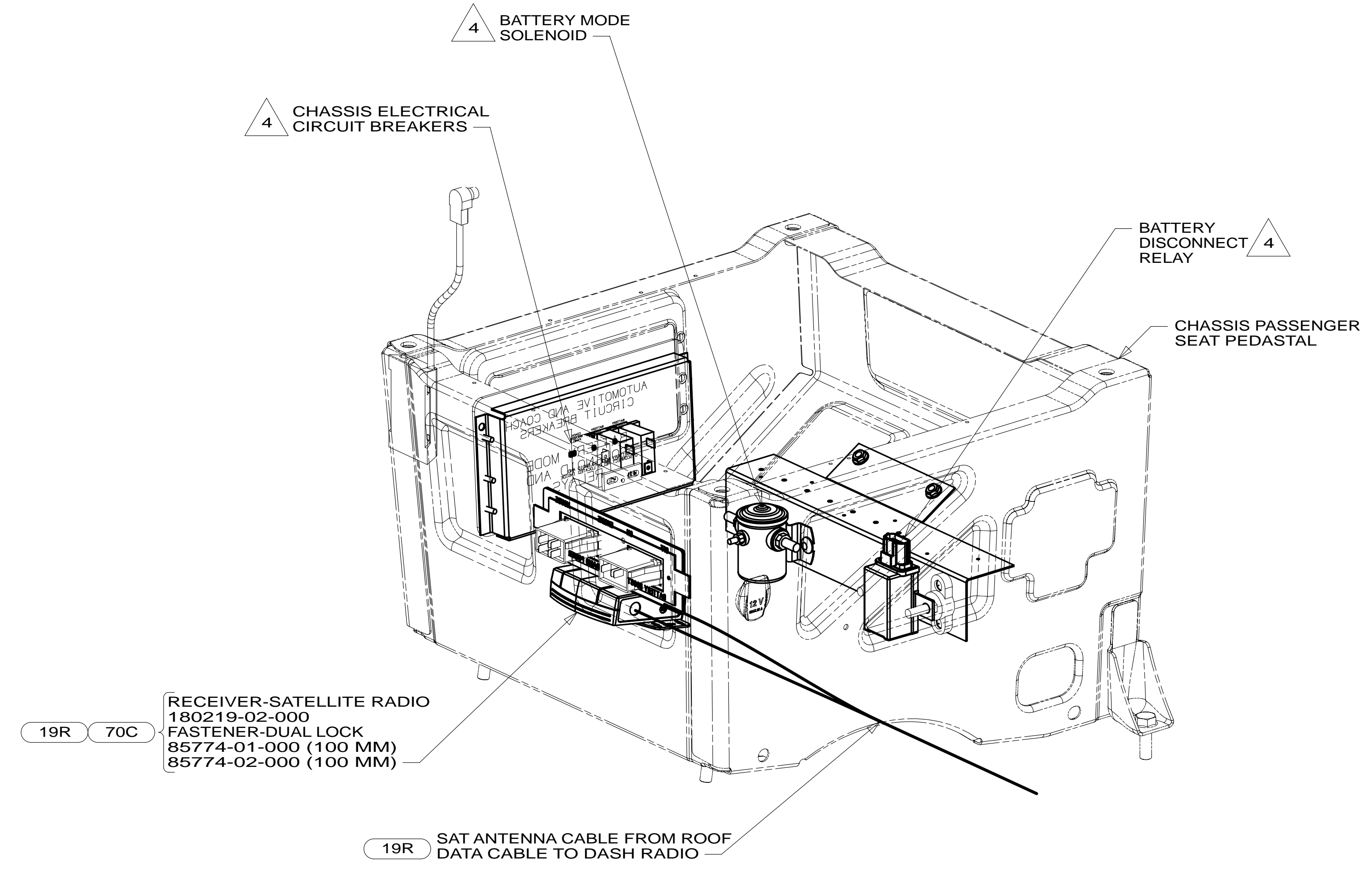
DETAIL CA



DETAIL CC 3



VIEW CB



DETAIL CD

- NOTES:
- 4 SEE CHASSIS ELECTRICAL BOX ASM FOR ADDITIONAL INFORMATION.
 - 3 CONNECTION POINT IS LOCATED UNDER DRIVERS SEAT.
 - 2 LOCATED IN DRIVERS SIDE KICKER PANEL.
 - 1. SECURE CONDUIT 41953, TAB AS REQUIRED, OVER ALL WIRES IN CONTACT WITH SHARP EDGES.

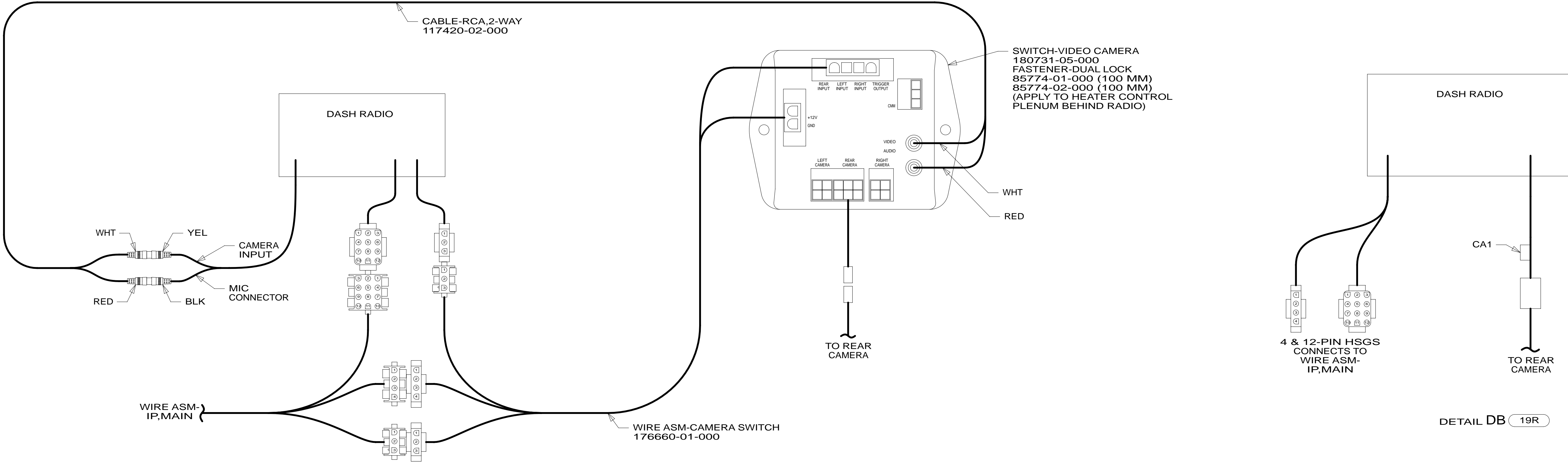
- 19R RADIO/REARVIEW MONITOR SYS
- 70C RADIO - SATELLITE
- 265 CODES/STANDARDS-CSA/CMVSS
- 1B1 CODES/STANDARDS USA

FIRST USED	
13 170A	
DO NOT SCALE DRAWING	
TITLE: WIRING INSTL-CHASSIS	
SHEET 3	PART NO 181252 REV

FOR ELECTRICAL TORQUE SPECIFICATIONS SEE DWG NO. 128783-01-000

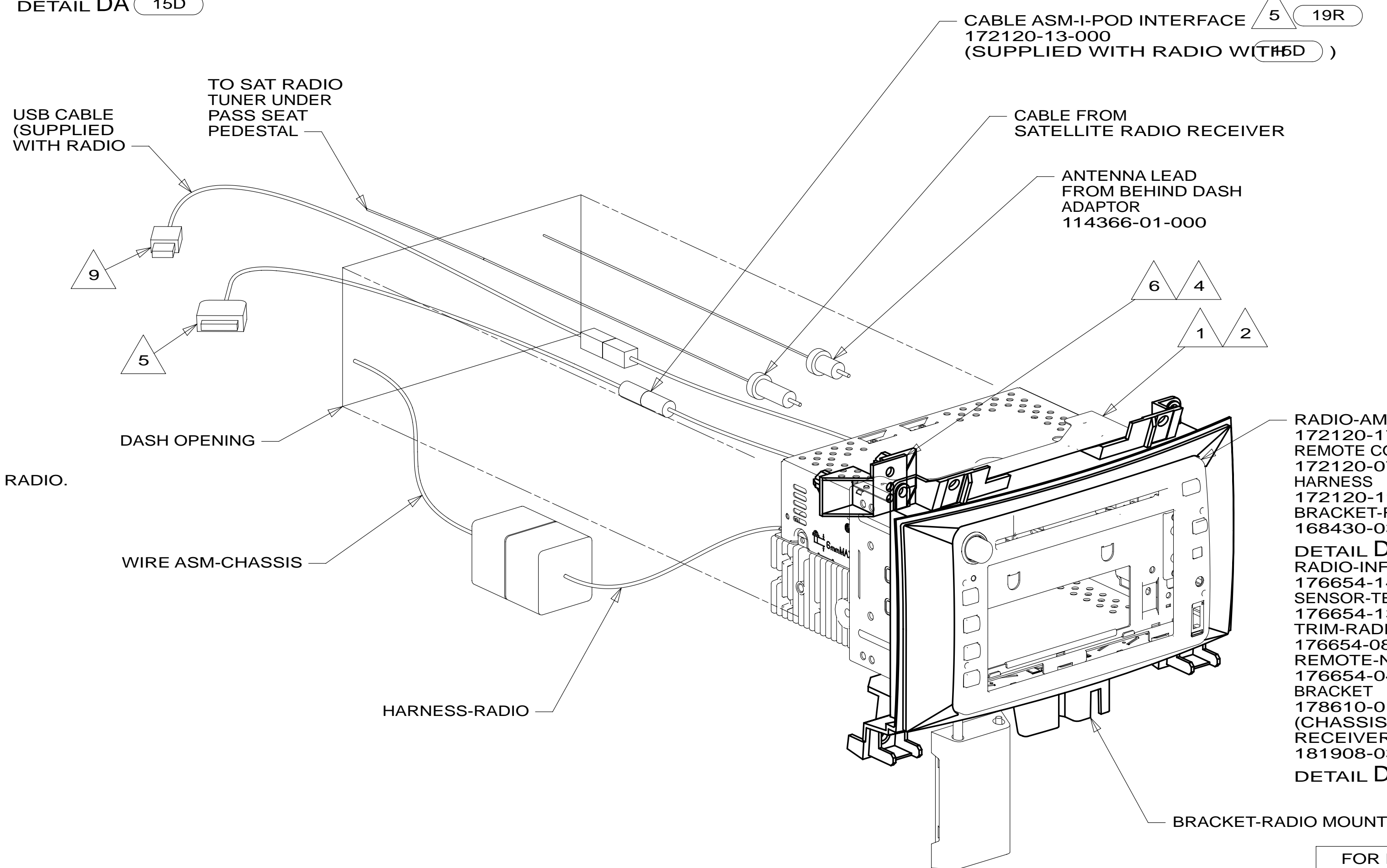
FOR ELECTRICAL CALLOUTS SEE DWG NO. 121339-01-000

* 181252 * A



DETAIL DA 15D

DETAIL DB 19R



DETAIL DC

- 172120-17-000 RADIO-AM/FM/CD
- 172120-07-000 REMOTE CONTROL
- 172120-11-000 HARNESS
- 172120-11-000 BRACKET-RADIO MOUNT
- 168430-03-000
- 176654-14-000 RADIO-INFOTAINMENT
- 176654-13-000 SENSOR-TEMPERATURE
- 176654-08-CHT TRIM-RADIO MOUNTING
- 176654-04-000 REMOTE-NAVIGATION/RADIO
- 178610-01-000 BRACKET
- 181908-03-000 RECEIVER-SATELLITE RADIO
- 176654-04-000
- 178610-01-000 (CHASSIS SUPPLIED)
- 181908-03-000

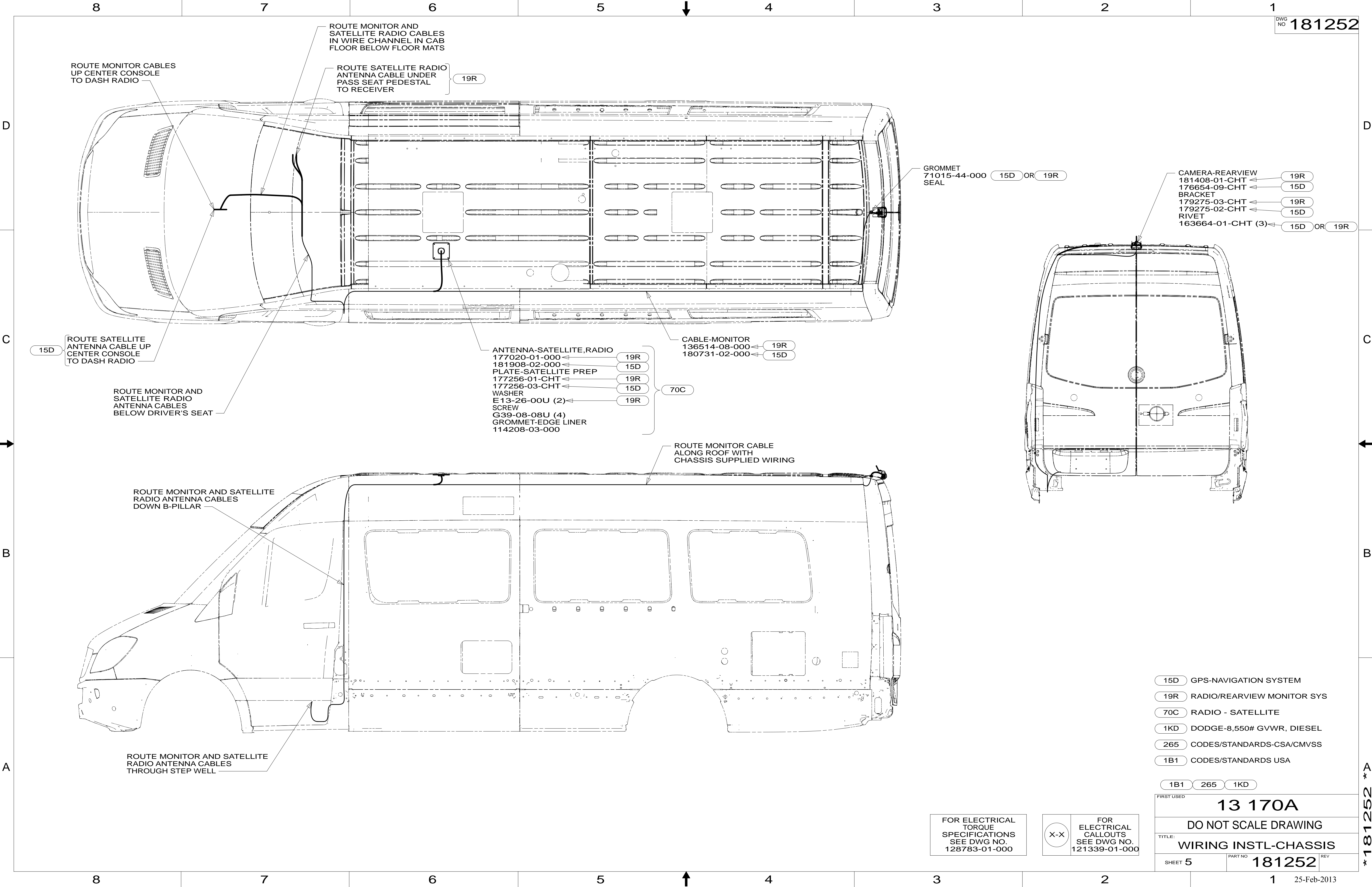
- NOTES:
- 10 WIRE TIE SAT TUNER TO DASH RADIO WIRING.
 - 9 ROUTE USB CABLE ALONG WITH IPOD CABLE TO TRAY ON TOP OF DASH ABOVE RADIO.
 - 8 MOUNT GPS ANTENNA ON TOP OF DEFROST PLENUM BEHIND RADIO.
 - 7 SEE SHT 2 FOR ADDITIONAL INFORMATION
 - 6 SUPPLIED WITH RADIO MOUNT BRACKET.
 - 5 PLUG I-POD CABLE INTO LEAD ON BACK OF RADIO MARKED I-POD. DRILL 16 MM DIAMETER HOLE IN THE TRAY ABOVE THE RADIO. THE HOLE IS TO BE LOCATED ON THE PASSENGER SIDE OF THE TRAY 50 MM FROM THE END NEAREST THE WINDSHIELD. ROUTE I-POD CABLE INTO THE TRAY AND LEAVE 200 MM OF WIRE IN THE TRAY.
 - 4 INSTALL REAR SUPPORT TO TOP EDGE OF RADIO.
 - 3 TO BE SUPPLIED LOOSE IN WINNEBAGO OWNERS CASE.
 - 2 BEND TABS ON ALL 4 SIDES TO SECURE MOUNTING BRACKET TO DASH OPENING.
 - 1 SUPPLIED WITH RADIO.

FOR ELECTRICAL TORQUE SPECIFICATIONS SEE DWG NO. 128783-01-000

FOR ELECTRICAL CALLOUTS SEE DWG NO. 121339-01-000

- 15D GPS-NAVIGATION SYSTEM
- 15C GPS-NAVIGATION SYSTEM W/O
- 19R RADIO/REARVIEW MONITOR SYS
- 70C RADIO - SATELLITE
- 265 CODES/STANDARDS-CSA/CMVSS
- 1B1 CODES/STANDARDS USA

FIRST USED	13 170A	
DO NOT SCALE DRAWING		
TITLE: WIRING INSTL-CHASSIS		
SHEET 4	PART NO 181252	REV



ROUTE MONITOR CABLES UP CENTER CONSOLE TO DASH RADIO

ROUTE MONITOR AND SATELLITE RADIO CABLES IN WIRE CHANNEL IN CAB FLOOR BELOW FLOOR MATS

ROUTE SATELLITE RADIO ANTENNA CABLE UNDER PASS SEAT PEDESTAL TO RECEIVER

19R

GROMMET 71015-44-000 SEAL 15D OR 19R

CAMERA-REARVIEW 181408-01-CHT 19R
 176654-09-CHT 15D
 BRACKET 179275-03-CHT 19R
 179275-02-CHT 15D
 RIVET 163664-01-CHT (3) 15D OR 19R

ROUTE SATELLITE ANTENNA CABLE UP CENTER CONSOLE TO DASH RADIO 15D

ROUTE MONITOR AND SATELLITE RADIO ANTENNA CABLES BELOW DRIVER'S SEAT

ANTENNA-SATELLITE,RADIO 19R
 177020-01-000 19R
 181908-02-000 15D
 PLATE-SATELLITE PREP 19R
 177256-01-CHT 19R
 177256-03-CHT 15D
 WASHER E13-26-00U (2) 19R
 SCREW G39-08-08U (4)
 GROMMET-EDGE LINER 114208-03-000

CABLE-MONITOR 136514-08-000 19R
 180731-02-000 15D

70C

ROUTE MONITOR CABLE ALONG ROOF WITH CHASSIS SUPPLIED WIRING

ROUTE MONITOR AND SATELLITE RADIO ANTENNA CABLES DOWN B-PILLAR

ROUTE MONITOR AND SATELLITE RADIO ANTENNA CABLES THROUGH STEP WELL

- 15D GPS-NAVIGATION SYSTEM
- 19R RADIO/REARVIEW MONITOR SYS
- 70C RADIO - SATELLITE
- 1KD DODGE-8,550# GVWR, DIESEL
- 265 CODES/STANDARDS-CSA/CMVSS
- 1B1 CODES/STANDARDS USA

1B1 265 1KD

FIRST USED 13 170A

DO NOT SCALE DRAWING

TITLE: WIRING INSTL-CHASSIS

SHEET 5 PART NO. 181252 REV

FOR ELECTRICAL TORQUE SPECIFICATIONS SEE DWG NO. 128783-01-000

FOR ELECTRICAL CALLOUTS SEE DWG NO. 121339-01-000

* 181252 * A