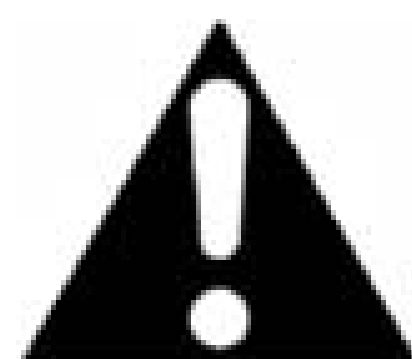




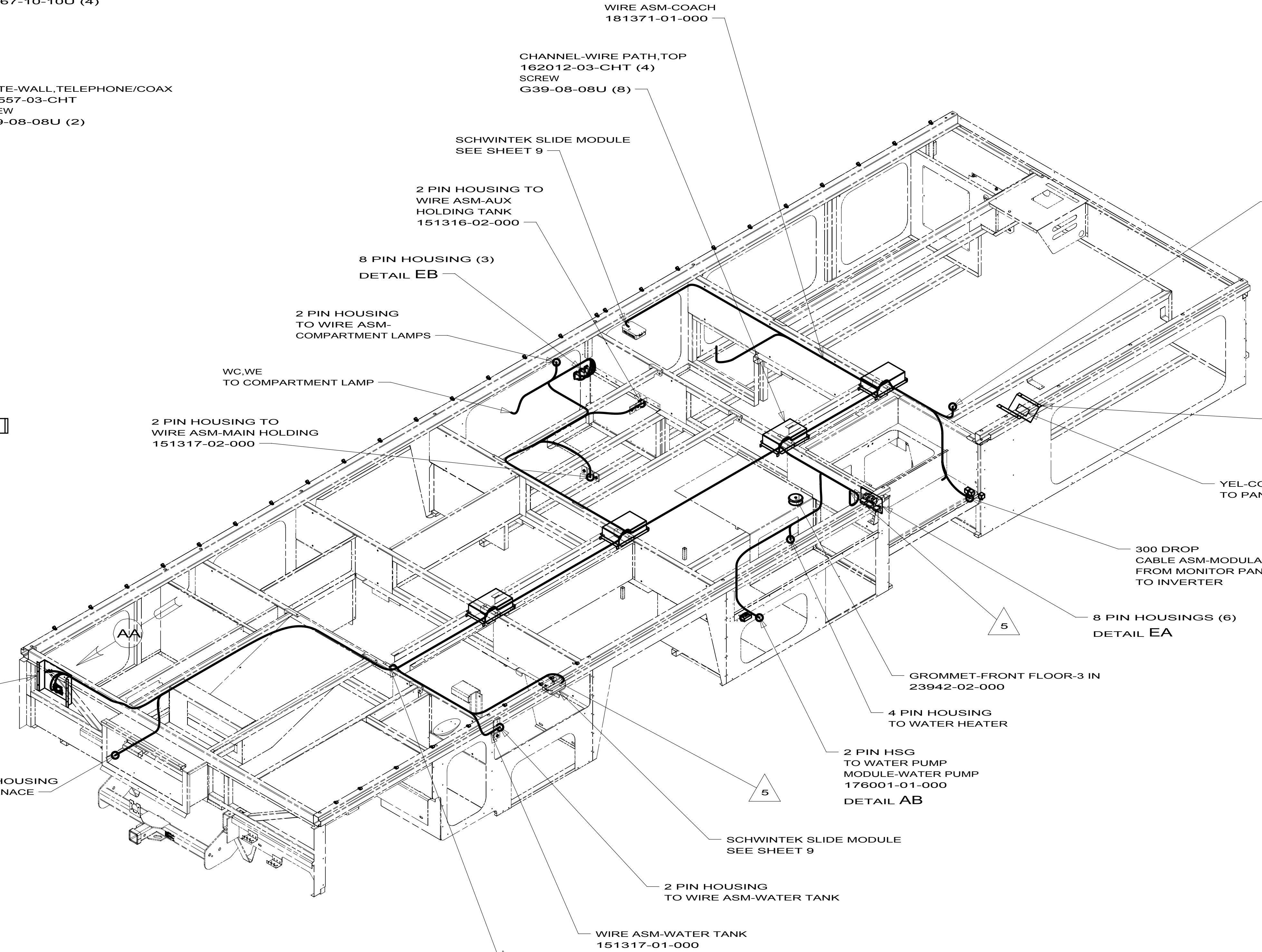
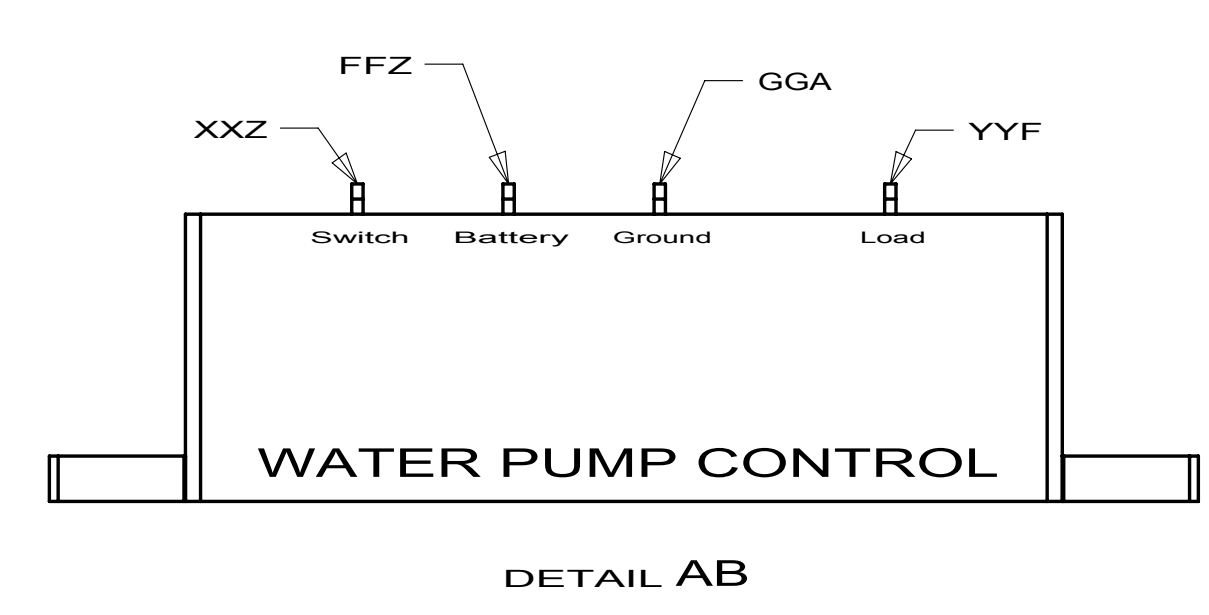
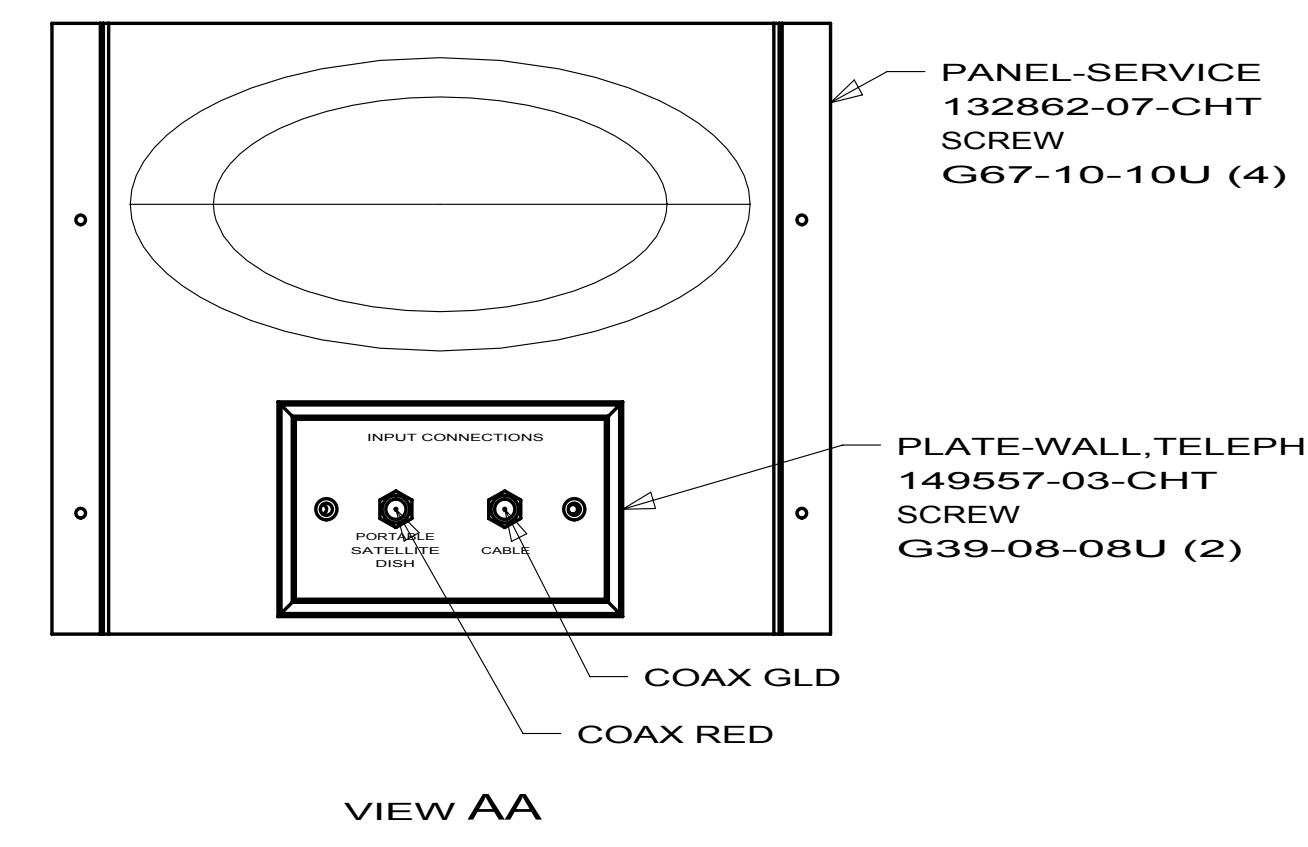
DANGER

Danger of electrical shock, burns or death. Always remove all power sources before attempting any repair, service or diagnostic work. Power can be present from shore power, generator, inverter or battery. All power sources must be disabled and secured before performing any service.



CAUTION

If you lack the skills, tools or equipment to perform diagnostic or repair work leave such work to an authorized Winnebago Industries dealer or other qualified shop.



5 WIRE PASSES THROUGH FLOOR AT THIS POINT.
 4 WITHOUT 1D3

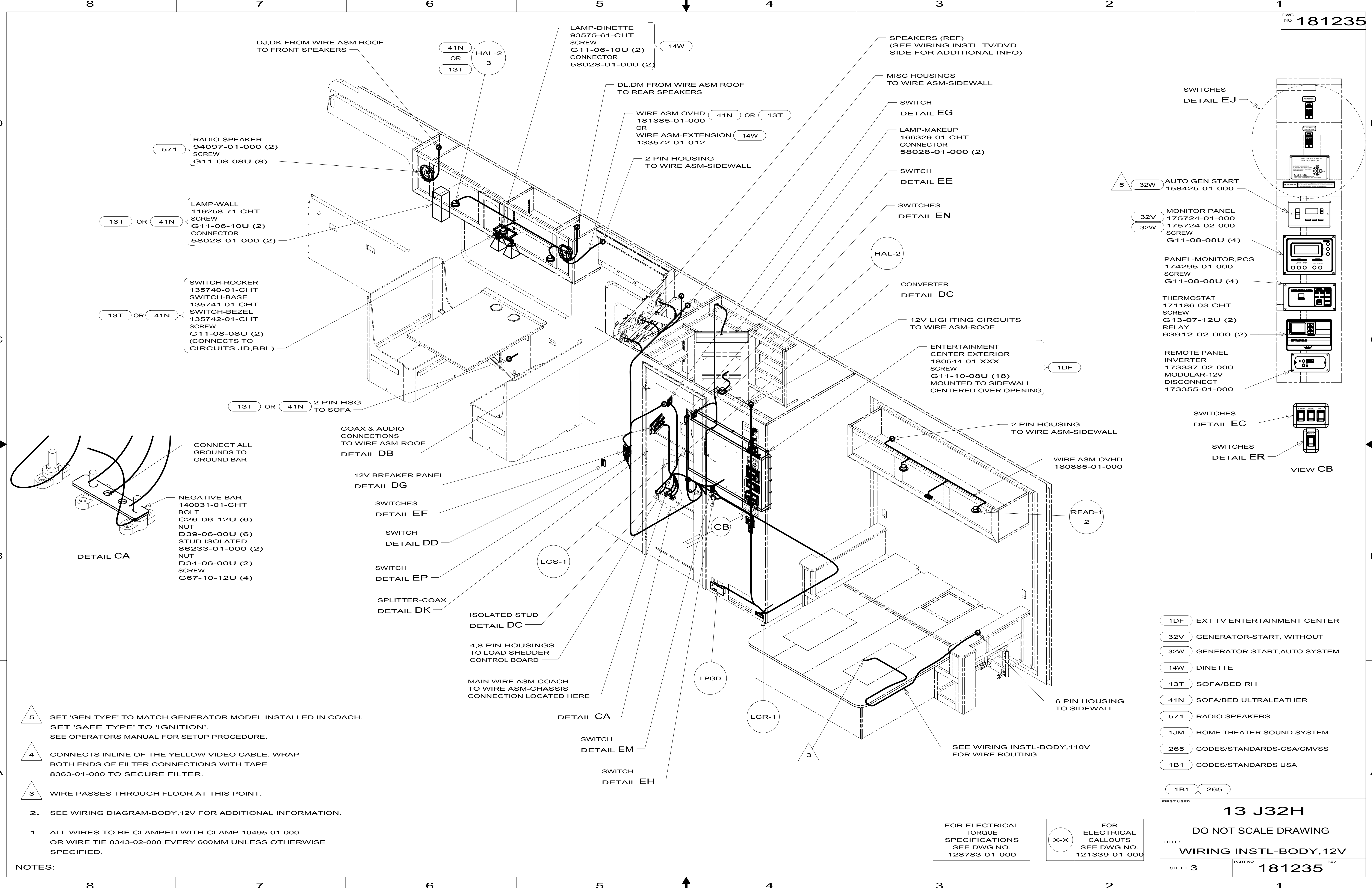
- NOTES:
1. ALL WIRES TO BE CLAMPED WITH CLAMP 10495-01-000 OR WIRE TIE 8343-02-000 EVERY 600MM UNLESS OTHERWISE SPECIFIED.
 2. SEE WIRING DIAGRAM-BODY, 12V FOR ADDITIONAL INFORMATION.
 3. ROUTE TANK SENSOR WIRES SO THEY DO NOT PASS OVER SENSORS. USE WIRE TIE MOUNT 155366-01-000 AND WIRE TIE 8343-01-000 AS NEEDED. TANK SURFACE MUST BE CLEANED USING ISOPROPYL ALCOHOL AND PRIME WITH PRIMER 94.

FOR ELECTRICAL TORQUE SPECIFICATIONS SEE DWG NO. 128783-01-000

FOR ELECTRICAL CALLOUTS SEE DWG NO. 121339-01-000

- 401 INVERTER-DC/AC, 1000 WATT
- 265 CODES/STANDARDS-CSA/CMVSS
- 1B1 CODES/STANDARDS USA

WINNEBAGO INDUSTRIES		COPYRIGHT 2011 WINNEBAGO INDUSTRIES, INC.	
DFT-ORIG	ORIG. DATE	ALL DIMENSIONS ARE IN MILLIMETERS	
CHKR		FIRST USED	
P.E.		13 J32H	
M.E.		UNSPECIFIED TOLERANCES ARE:	
DSNR		WHOLE DIM (X) : 3	
		ONE-PLACE (X.X) : 1.5	
		TWO-PLACE (X.XX) : 0.50	
		ANGLE : 1'	
THIRD ANGLE PROJECTION		MATERIAL:	
DO NOT SCALE DRAWING		REFER TO ES0018 FOR FASTENER TIGHTENING GUIDELINES	
TITLE: WIRING INSTL-BODY, 12V			
SHEET 1 OF 8	PART NO	181235	REV
REF:	1	11/8/2011	



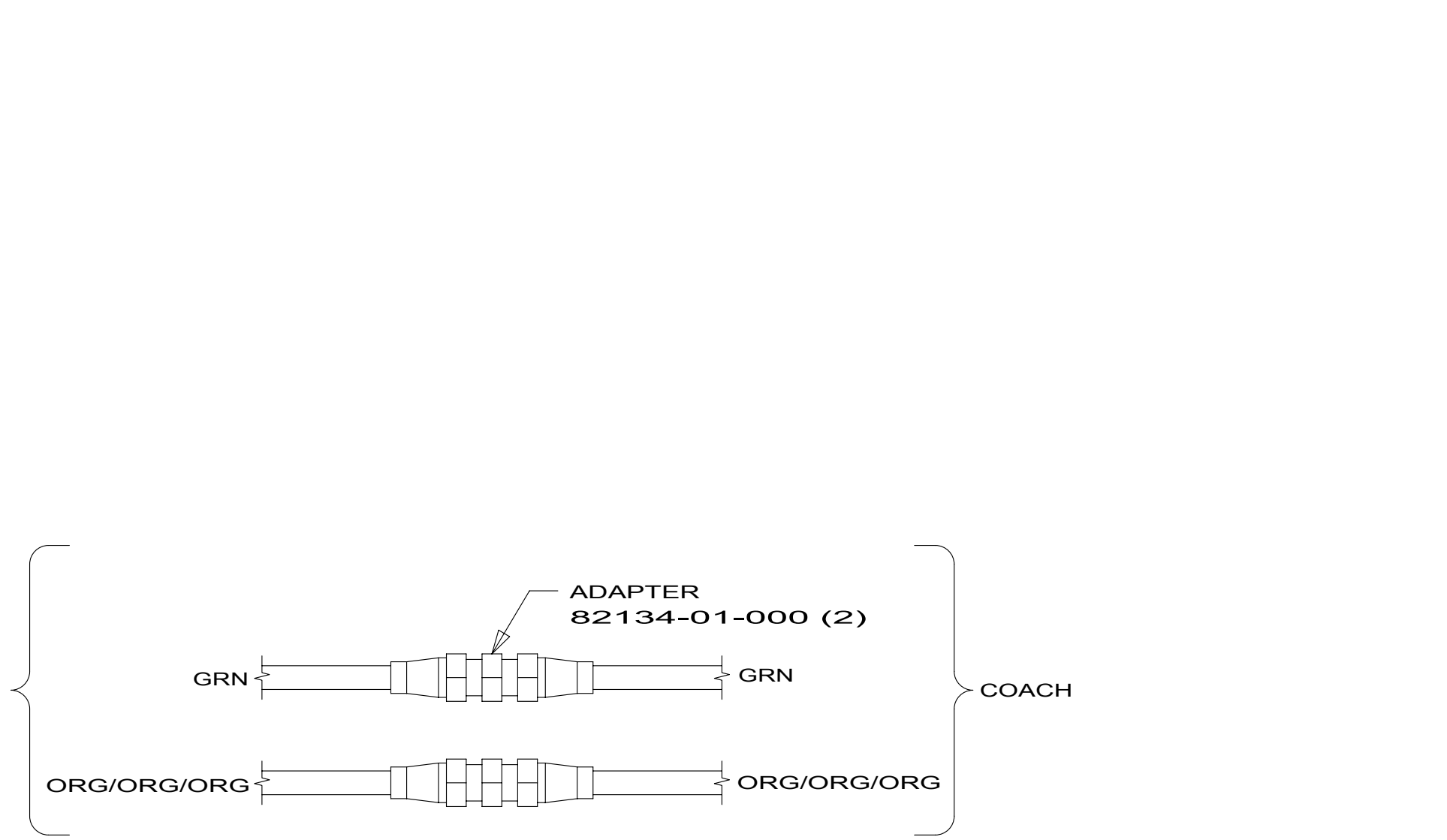
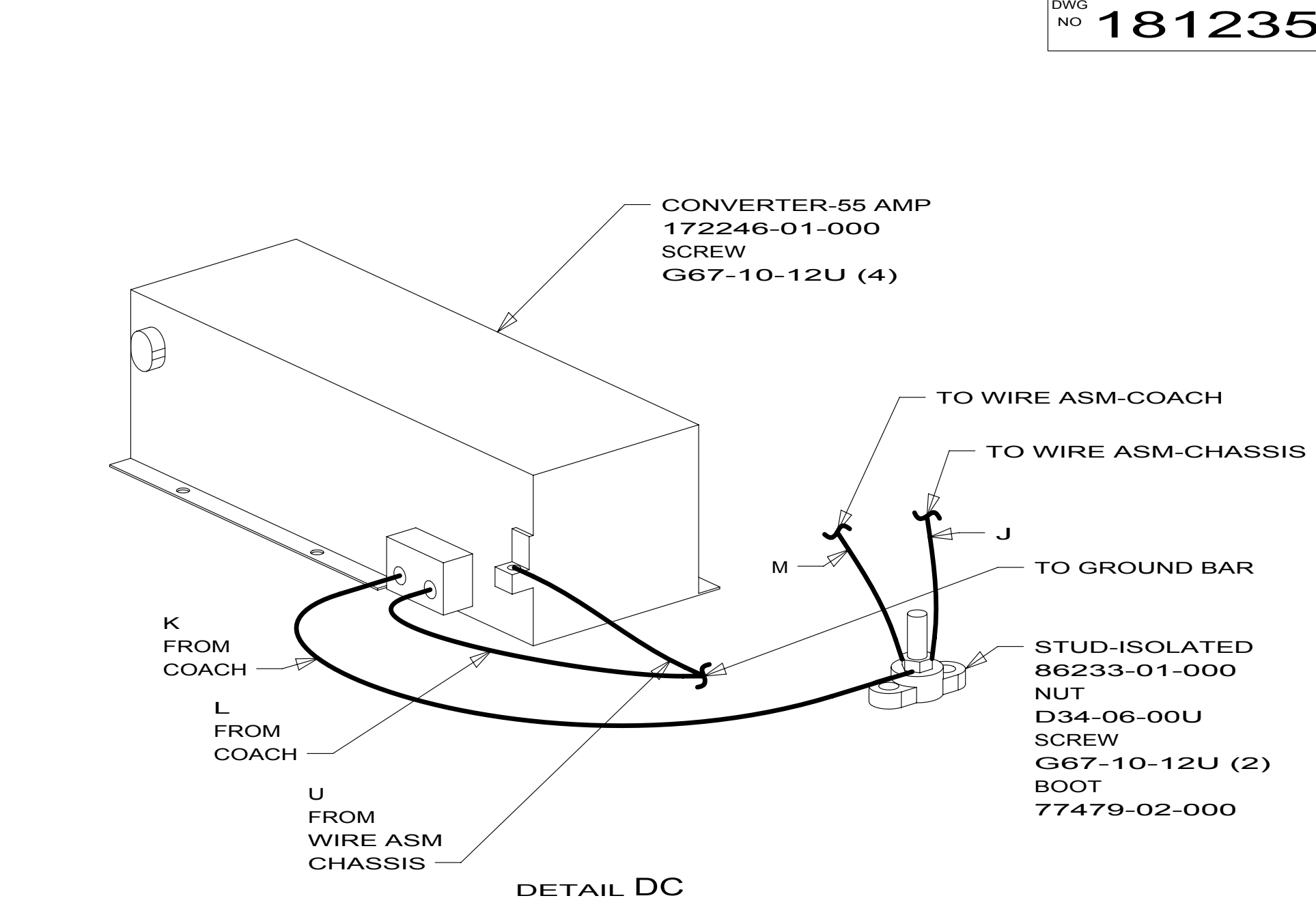
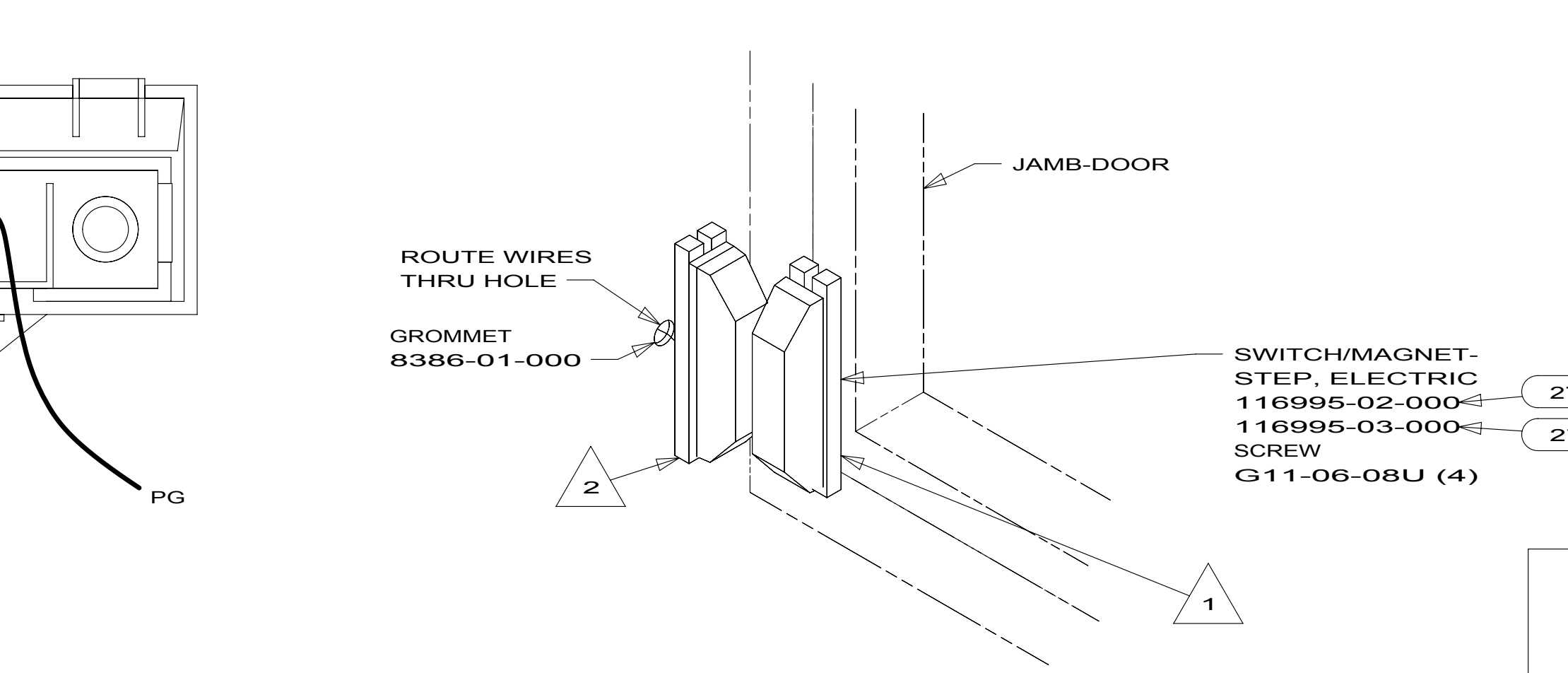
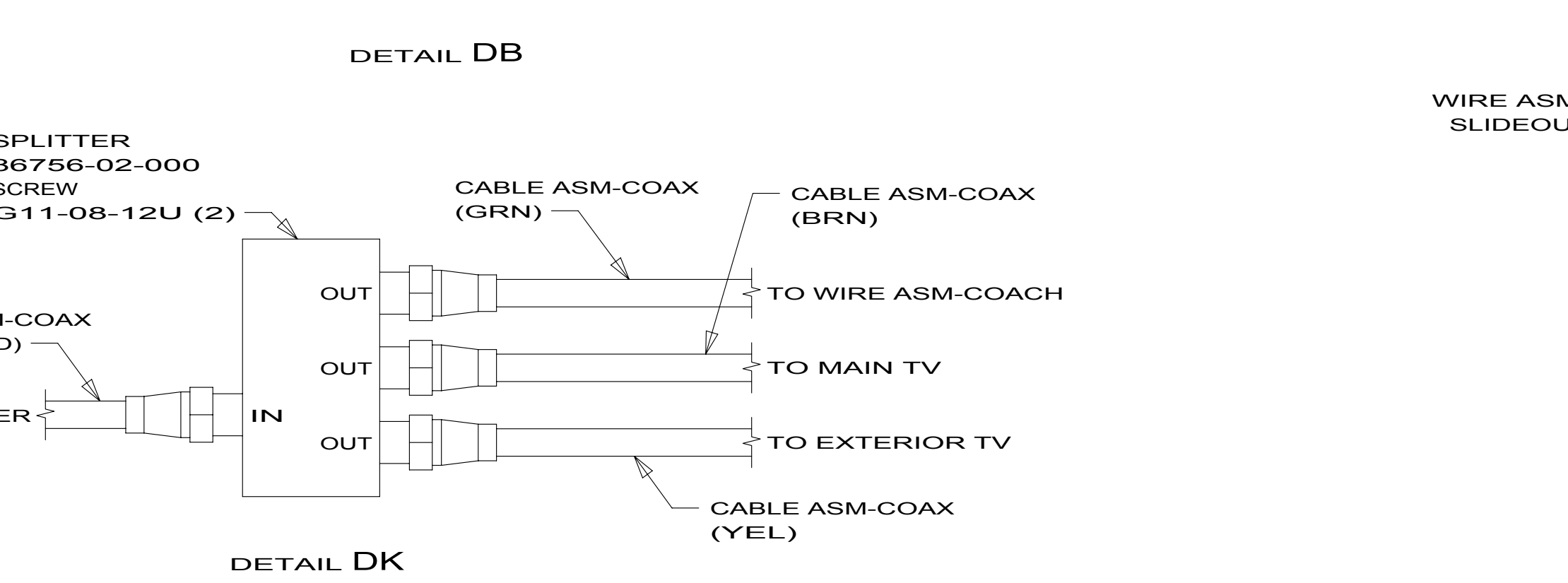
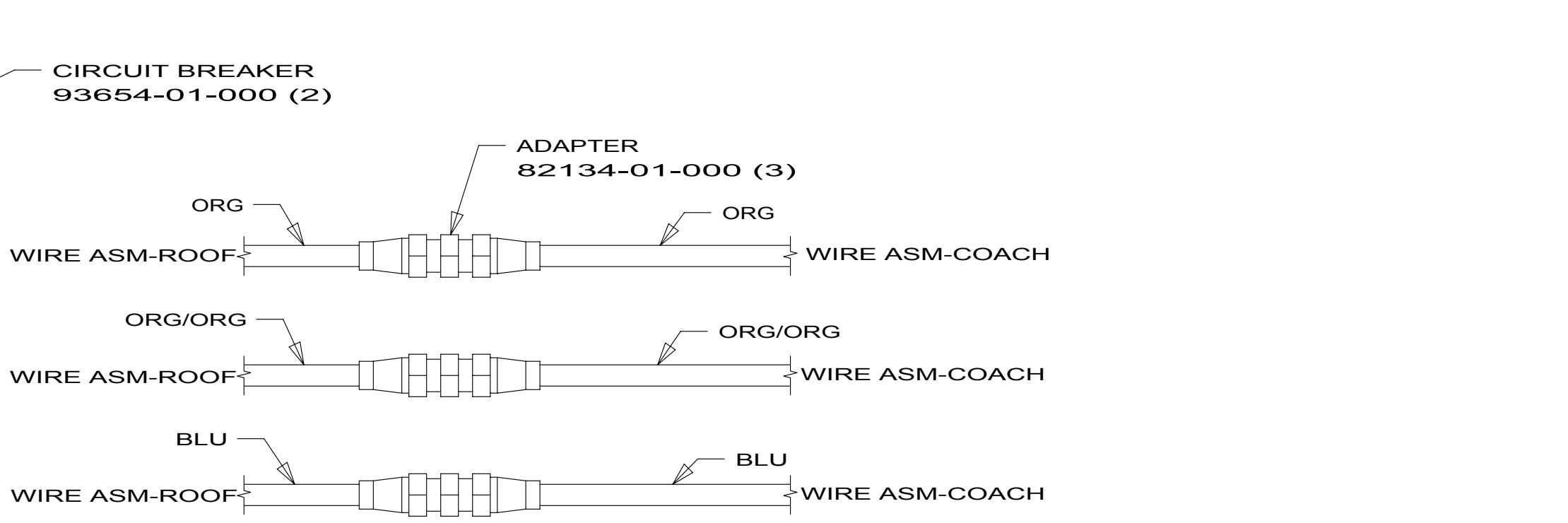
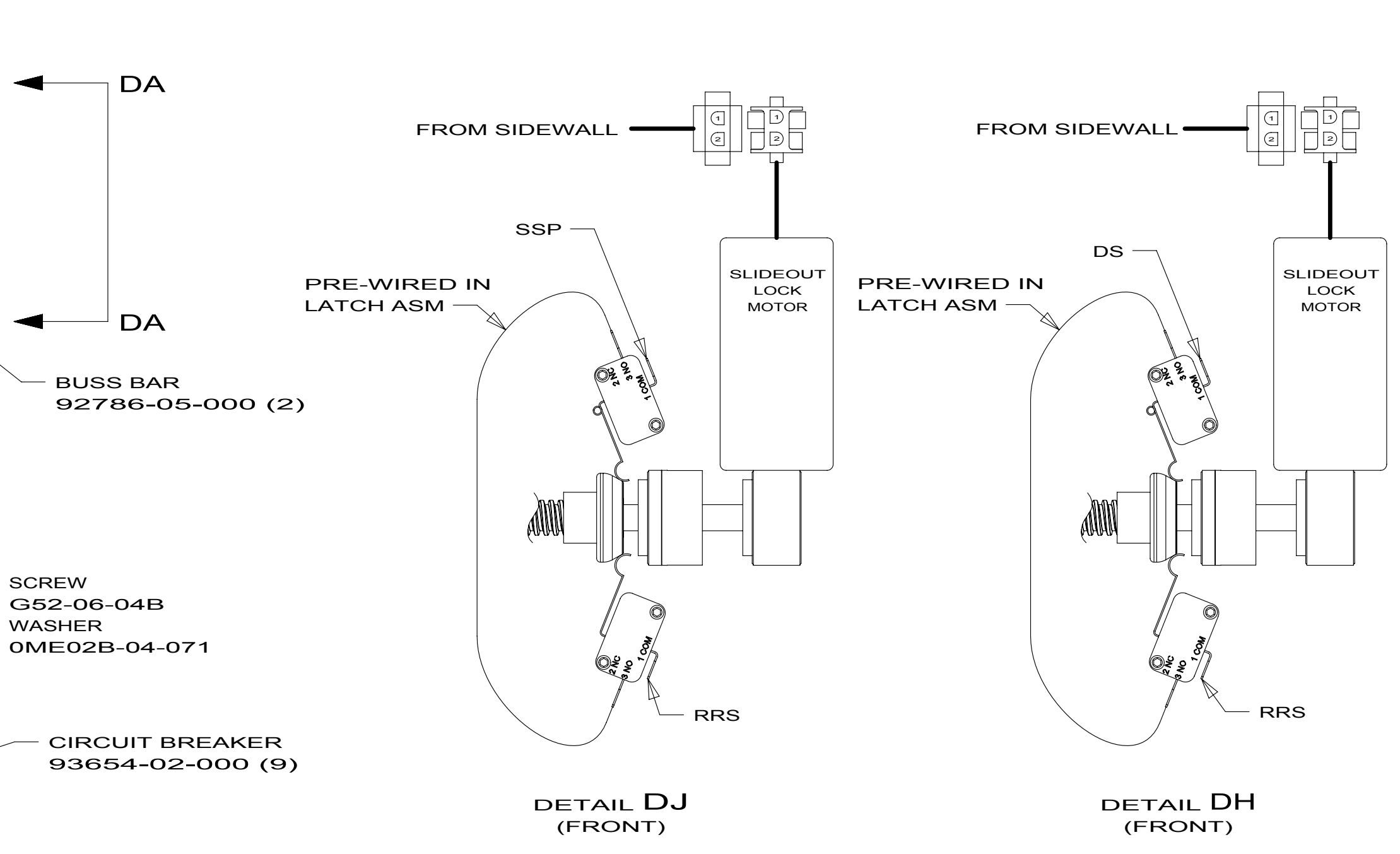
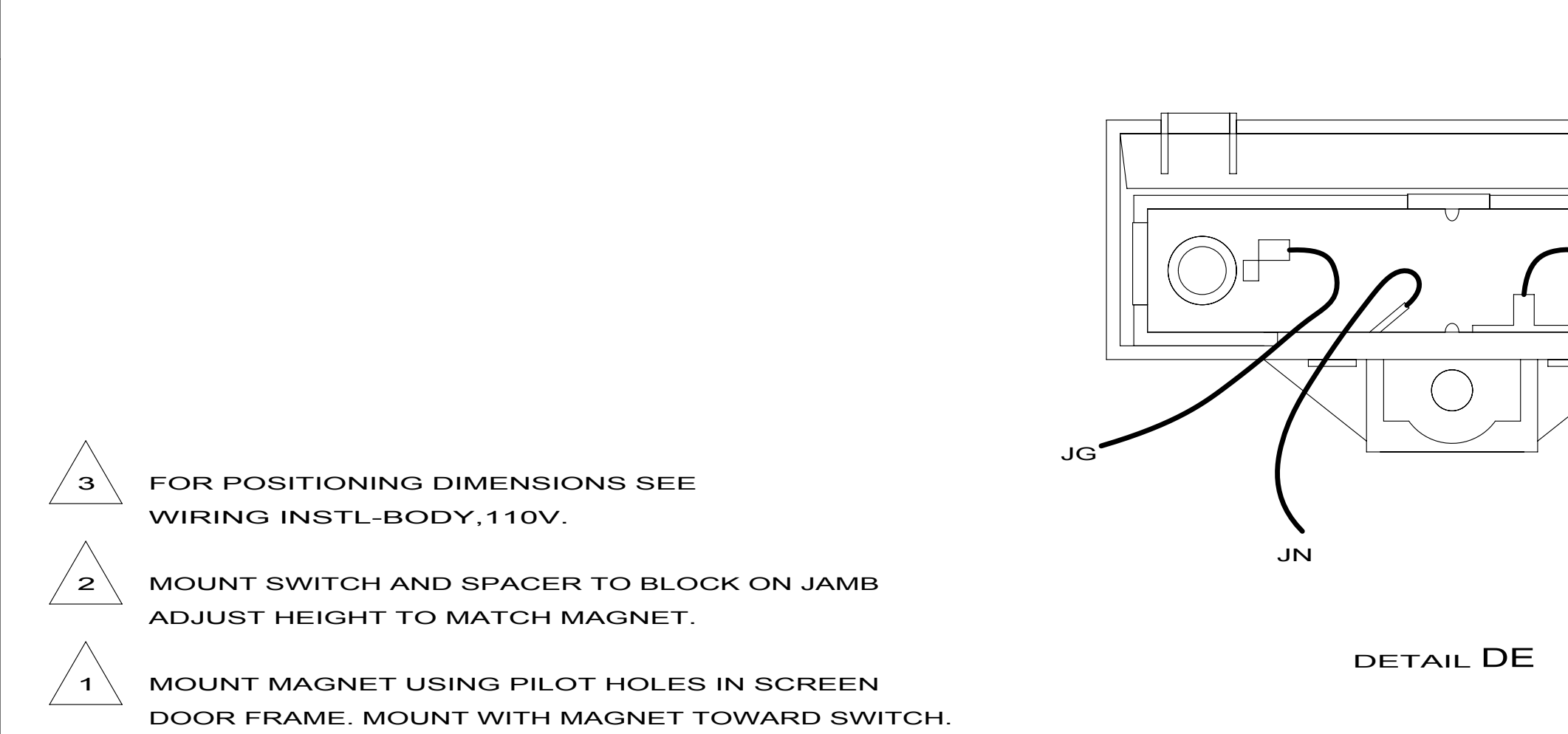
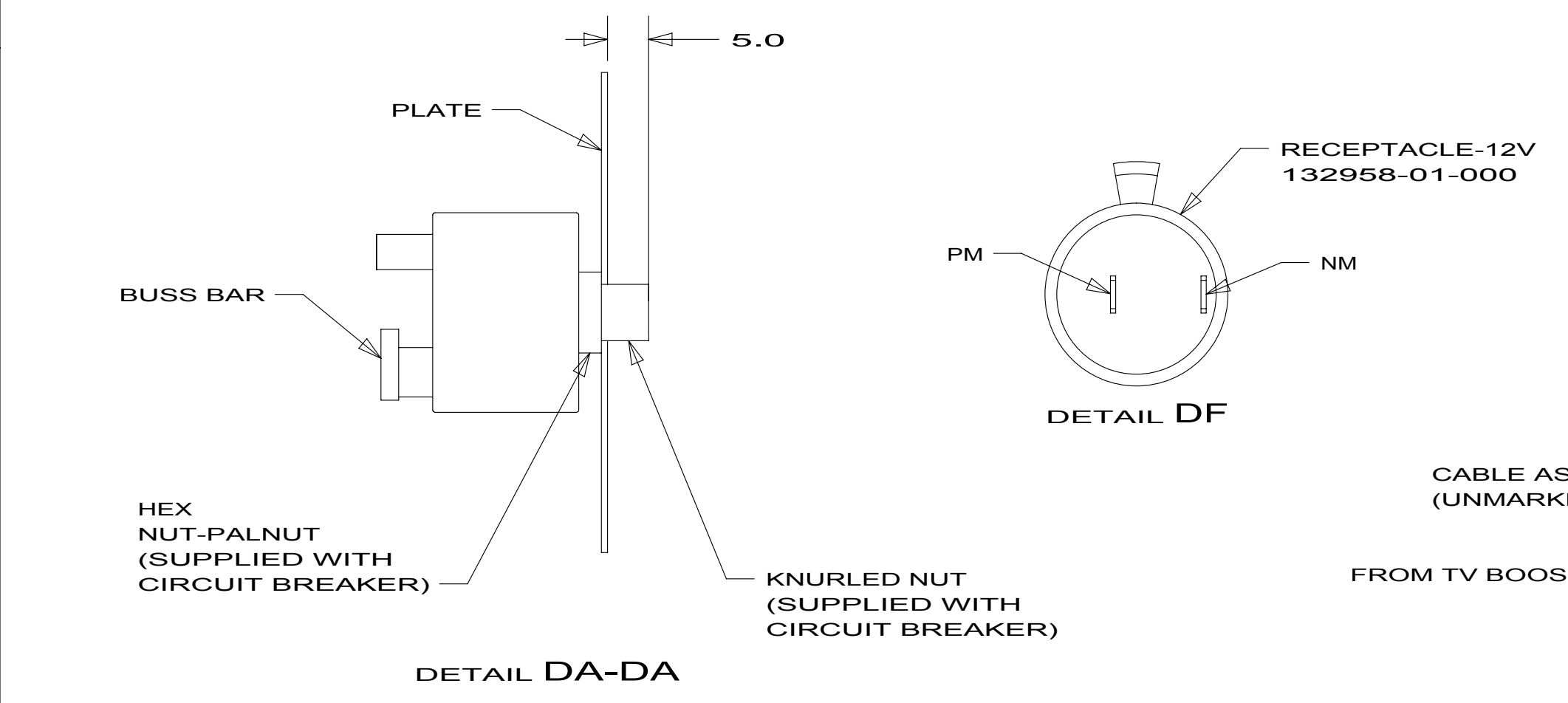
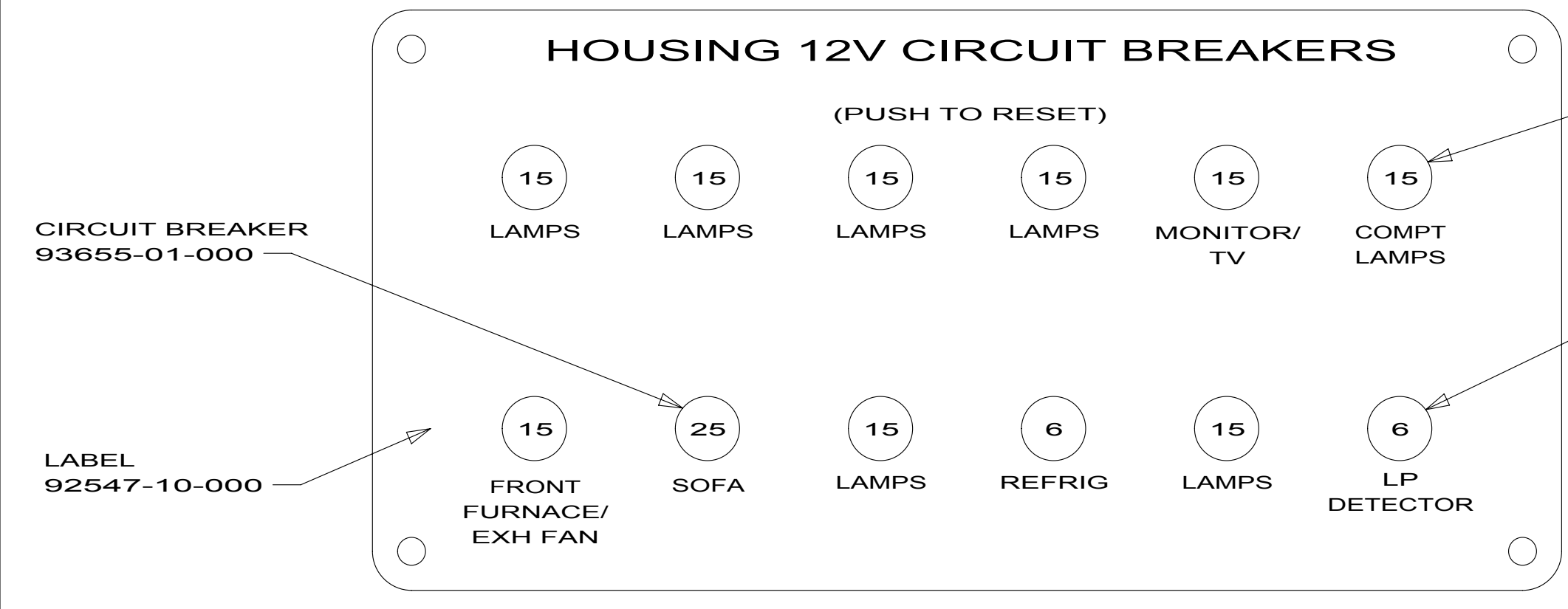
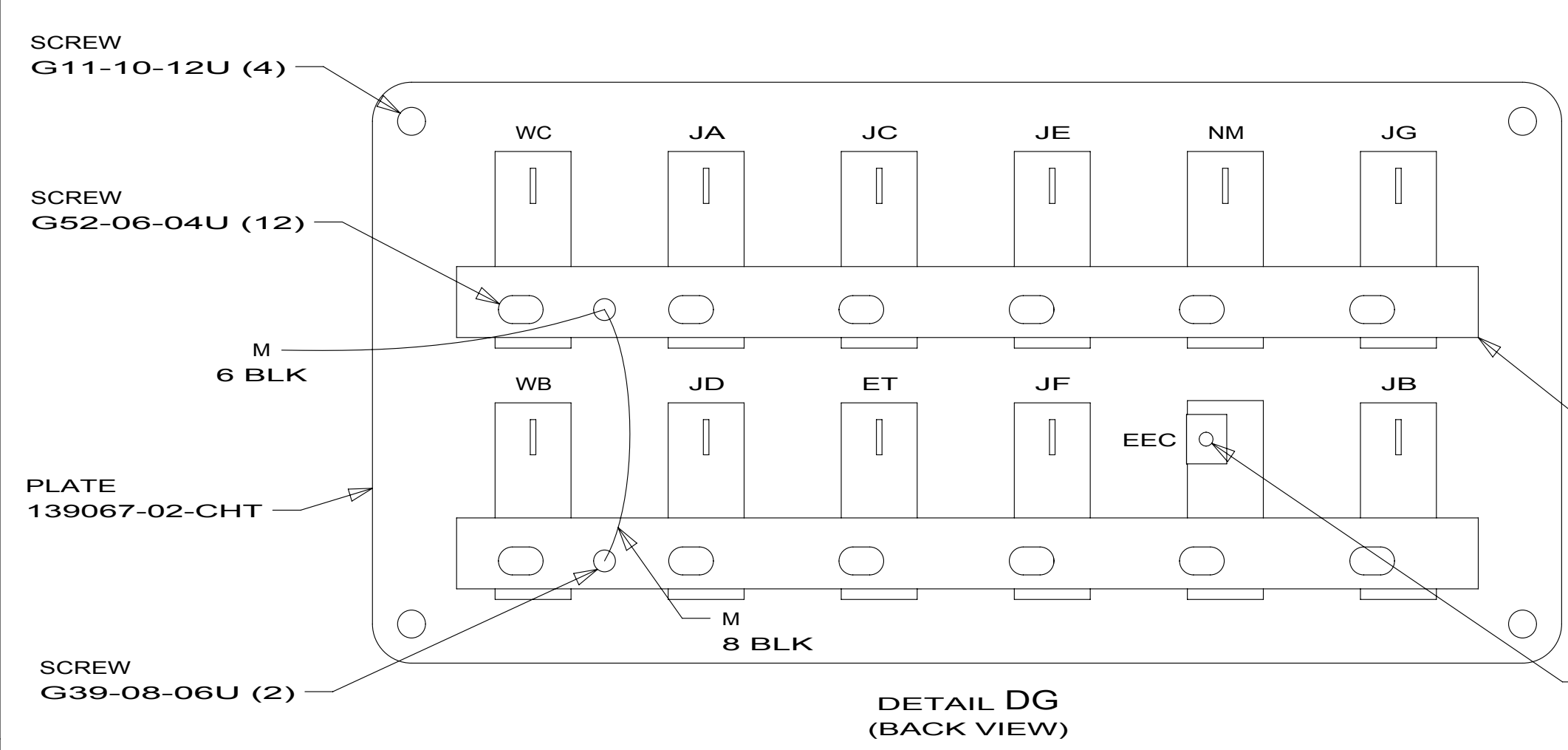
- NOTES:
1. ALL WIRES TO BE CLAMPED WITH CLAMP 10495-01-000 OR WIRE TIE 8343-02-000 EVERY 600MM UNLESS OTHERWISE SPECIFIED.
 2. SEE WIRING DIAGRAM-BODY,12V FOR ADDITIONAL INFORMATION.
 3. WIRE PASSES THROUGH FLOOR AT THIS POINT.
 4. CONNECTS INLINE OF THE YELLOW VIDEO CABLE. WRAP BOTH ENDS OF FILTER CONNECTIONS WITH TAPE 8363-01-000 TO SECURE FILTER.
 5. SET 'GEN TYPE' TO MATCH GENERATOR MODEL INSTALLED IN COACH. SET 'SAFE TYPE' TO 'IGNITION'. SEE OPERATORS MANUAL FOR SETUP PROCEDURE.

FOR ELECTRICAL TORQUE SPECIFICATIONS SEE DWG NO. 128783-01-000

FOR ELECTRICAL CALLOUTS SEE DWG NO. 121339-01-000

- 1DF EXT TV ENTERTAINMENT CENTER
- 32V GENERATOR-START, WITHOUT
- 32W GENERATOR-START,AUTO SYSTEM
- 14W DINETTE
- 13T SOFA/BED RH
- 41N SOFA/BED ULTRALEATHER
- 571 RADIO SPEAKERS
- 1JM HOME THEATER SOUND SYSTEM
- 265 CODES/STANDARDS-CSA/CMVSS
- 1B1 CODES/STANDARDS USA

FIRST USED		13 J32H	
DO NOT SCALE DRAWING			
TITLE: WIRING INSTL-BODY,12V			
SHEET 3	PART NO	181235	REV



NOTES:

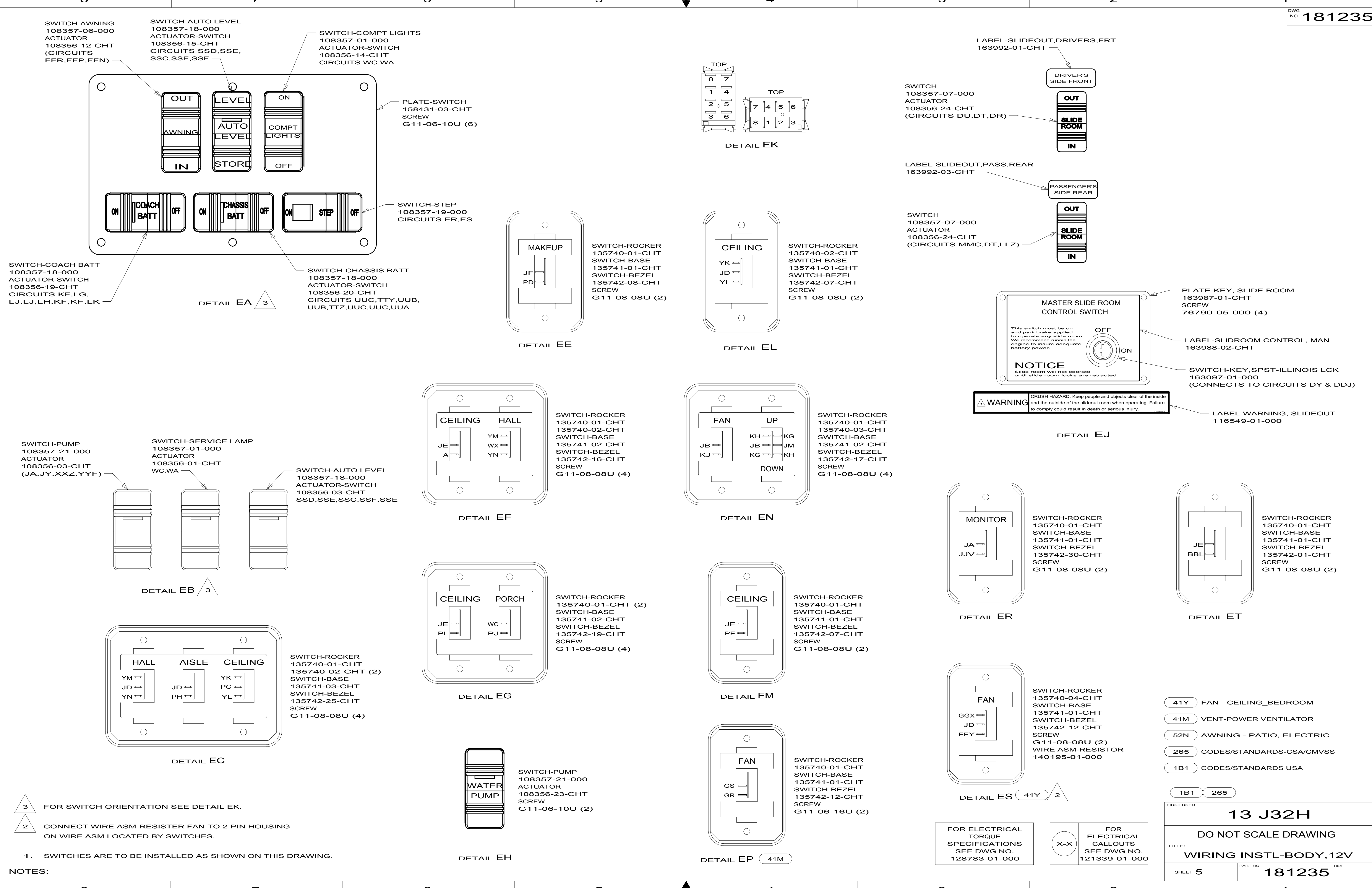
- 3 FOR POSITIONING DIMENSIONS SEE WIRING INSTL-BODY, 110V.
- 2 MOUNT SWITCH AND SPACER TO BLOCK ON JAMB ADJUST HEIGHT TO MATCH MAGNET.
- 1 MOUNT MAGNET USING PILOT HOLES IN SCREEN DOOR FRAME. MOUNT WITH MAGNET TOWARD SWITCH.

- 27A EXT FULL BODY PAINT PKG #1
- 27G EXTERIOR GRAPHICS PACKAGE #1
- 92K EXTERIOR GRAPHICS PACKAGE #2
- 92A EXT FULL BODY PAINT PKG # 2
- 24B EXT FULL BODY PAINT PKG #4
- 24C EXT FULL BODY PAINT PKG # 3
- 265 CODES/STANDARDS-CSA/CMVSS
- 1B1 CODES/STANDARDS USA

FOR ELECTRICAL TORQUE SPECIFICATIONS SEE DWG NO. 128783-01-000

FOR ELECTRICAL CALLOUTS SEE DWG NO. 121339-01-000

FIRST USED	13 J32H	
DO NOT SCALE DRAWING		
TITLE: WIRING INSTL-BODY, 12V		
SHEET 4	PART NO. 181235	REV



SWITCH-AWNING
108357-06-000
ACTUATOR
108356-12-CHT
(CIRCUITS FFR,FFP,FFN)

SWITCH-AUTO LEVEL
108357-18-000
ACTUATOR-SWITCH
108356-15-CHT
CIRCUITS SSD,SSE,
SSC,SSE,SSF

SWITCH-COMPT LIGHTS
108357-01-000
ACTUATOR-SWITCH
108356-14-CHT
CIRCUITS WC,WA

SWITCH-COACH BATT
108357-18-000
ACTUATOR-SWITCH
108356-19-CHT
CIRCUITS KF,LG,
LJ,LJ,LH,KF,KF,LK

SWITCH-CHASSIS BATT
108357-18-000
ACTUATOR-SWITCH
108356-20-CHT
CIRCUITS UUC,TTY,UUB,
UUB,TTZ,UUC,UUC,UUA

LABEL-SLIDEOUT,DRIVERS,FRT
163992-01-CHT

SWITCH
108357-07-000
ACTUATOR
108356-24-CHT
(CIRCUITS DU,DT,DR)

LABEL-SLIDEOUT,PASS,REAR
163992-03-CHT

SWITCH
108357-07-000
ACTUATOR
108356-24-CHT
(CIRCUITS MMC,DT,LLZ)

SWITCH-ROCKER
135740-01-CHT
SWITCH-BASE
135741-01-CHT
SWITCH-BEZEL
135742-08-CHT
SCREW
G11-08-08U (2)

SWITCH-ROCKER
135740-02-CHT
SWITCH-BASE
135741-01-CHT
SWITCH-BEZEL
135742-07-CHT
SCREW
G11-08-08U (2)

PLATE-KEY, SLIDE ROOM
163987-01-CHT
SCREW
76790-05-000 (4)

LABEL-SLIDROOM CONTROL, MAN
163988-02-CHT

SWITCH-KEY,SPST-ILLINOIS LCK
163097-01-000
(CONNECTS TO CIRCUITS DY & DDJ)

WARNING CRUSH HAZARD. Keep people and objects clear of the inside and the outside of the slideout room when operating. Failure to comply could result in death or serious injury.

LABEL-WARNING, SLIDEOUT
116549-01-000

SWITCH-PUMP
108357-21-000
ACTUATOR
108356-03-CHT
(JA,JY,XXZ,YYF)

SWITCH-SERVICE LAMP
108357-01-000
ACTUATOR
108356-01-CHT
WC,WA

SWITCH-AUTO LEVEL
108357-18-000
ACTUATOR-SWITCH
108356-03-CHT
SSD,SSE,SSC,SSF,SSE

SWITCH-ROCKER
135740-01-CHT
SWITCH-BASE
135741-02-CHT
SWITCH-BEZEL
135742-16-CHT
SCREW
G11-08-08U (4)

SWITCH-ROCKER
135740-01-CHT
SWITCH-BASE
135740-03-CHT
SWITCH-BASE
135741-02-CHT
SWITCH-BEZEL
135742-17-CHT
SCREW
G11-08-08U (4)

SWITCH-ROCKER
135740-01-CHT
SWITCH-BASE
135741-01-CHT
SWITCH-BEZEL
135742-30-CHT
SCREW
G11-08-08U (2)

SWITCH-ROCKER
135740-01-CHT
SWITCH-BASE
135741-01-CHT
SWITCH-BEZEL
135742-01-CHT
SCREW
G11-08-08U (2)

SWITCH-ROCKER
135740-01-CHT (2)
SWITCH-BASE
135741-02-CHT
SWITCH-BEZEL
135742-19-CHT
SCREW
G11-08-08U (4)

SWITCH-ROCKER
135740-01-CHT
SWITCH-BASE
135741-01-CHT
SWITCH-BEZEL
135742-07-CHT
SCREW
G11-08-08U (2)

SWITCH-ROCKER
135740-04-CHT
SWITCH-BASE
135741-01-CHT
SWITCH-BEZEL
135742-12-CHT
SCREW
G11-08-08U (2)
WIRE ASM-RESISTOR
140195-01-000

- (41Y) FAN - CEILING_BEDROOM
- (41M) VENT-POWER VENTILATOR
- (52N) AWNING - PATIO, ELECTRIC
- (265) CODES/STANDARDS-CSA/CMVSS
- (1B1) CODES/STANDARDS USA

3 FOR SWITCH ORIENTATION SEE DETAIL EK.

2 CONNECT WIRE ASM-RESISTOR FAN TO 2-PIN HOUSING ON WIRE ASM LOCATED BY SWITCHES.

1. SWITCHES ARE TO BE INSTALLED AS SHOWN ON THIS DRAWING.

FOR ELECTRICAL TORQUE SPECIFICATIONS SEE DWG NO. 128783-01-000

FOR ELECTRICAL CALLOUTS SEE DWG NO. 121339-01-000

FIRST USED	13 J32H	
DO NOT SCALE DRAWING		
TITLE: WIRING INSTL-BODY, 12V		
SHEET 5	PART NO. 181235	REV

SPEAKER-ROUND,CEILING
160867-01-CHT (2)
SCREW
G1208-12-170 (8)

LIGHT-HALOGEN
146048-01-000
SCREW
SUPPLIED WITH LIGHT

FAN-CEILING
139134-01-CHT
SCREW
G11-10-16U (3)
CONNECTOR
58028-01-000 (2)
DETAIL FA

WASHER-PLASTIC
180671-02-CHT (5)
SCREW
G11-08-08U (10)

SWITCH-FAN,
REVERSING

WIRE ASM-ROOF
RED-FFY
BLK-KKZ

CONNECT MOTOR BLU TO SWITCH BLU
AND MOTOR BLK TO SWITCH BLK

DETAIL FA

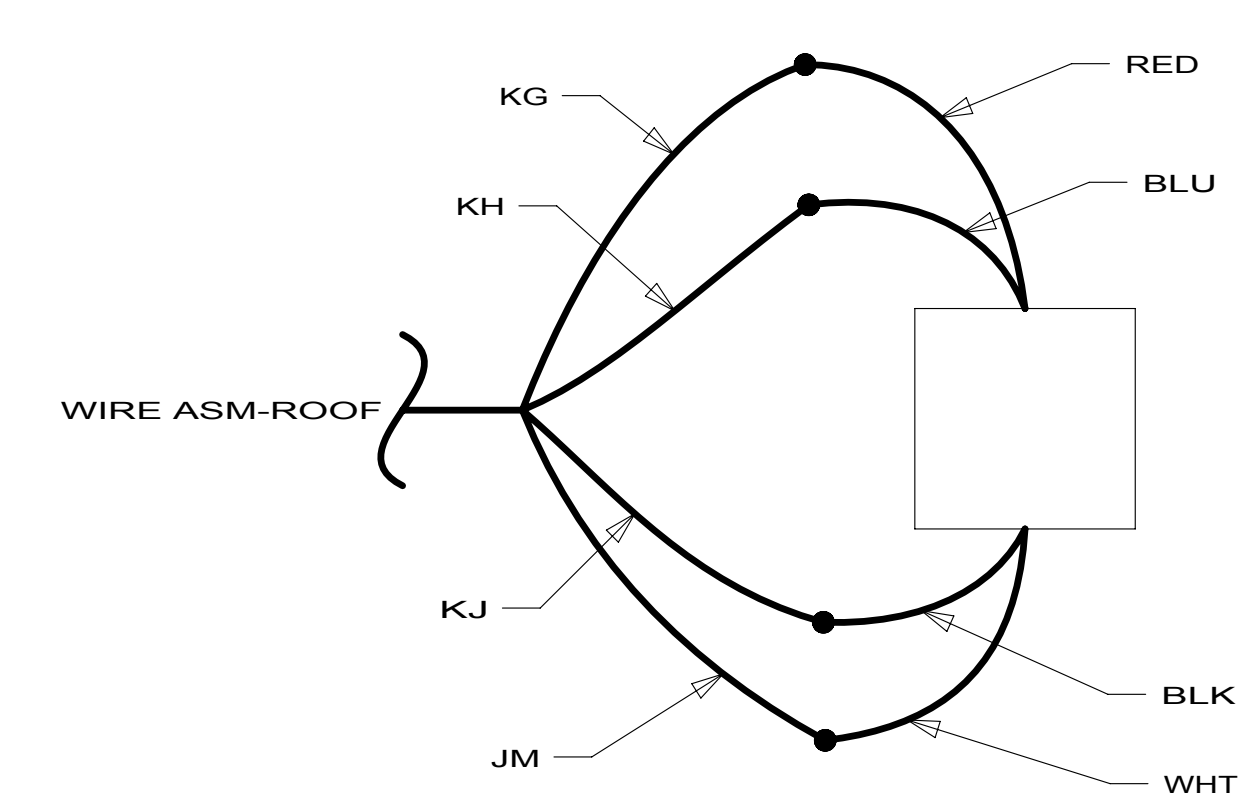
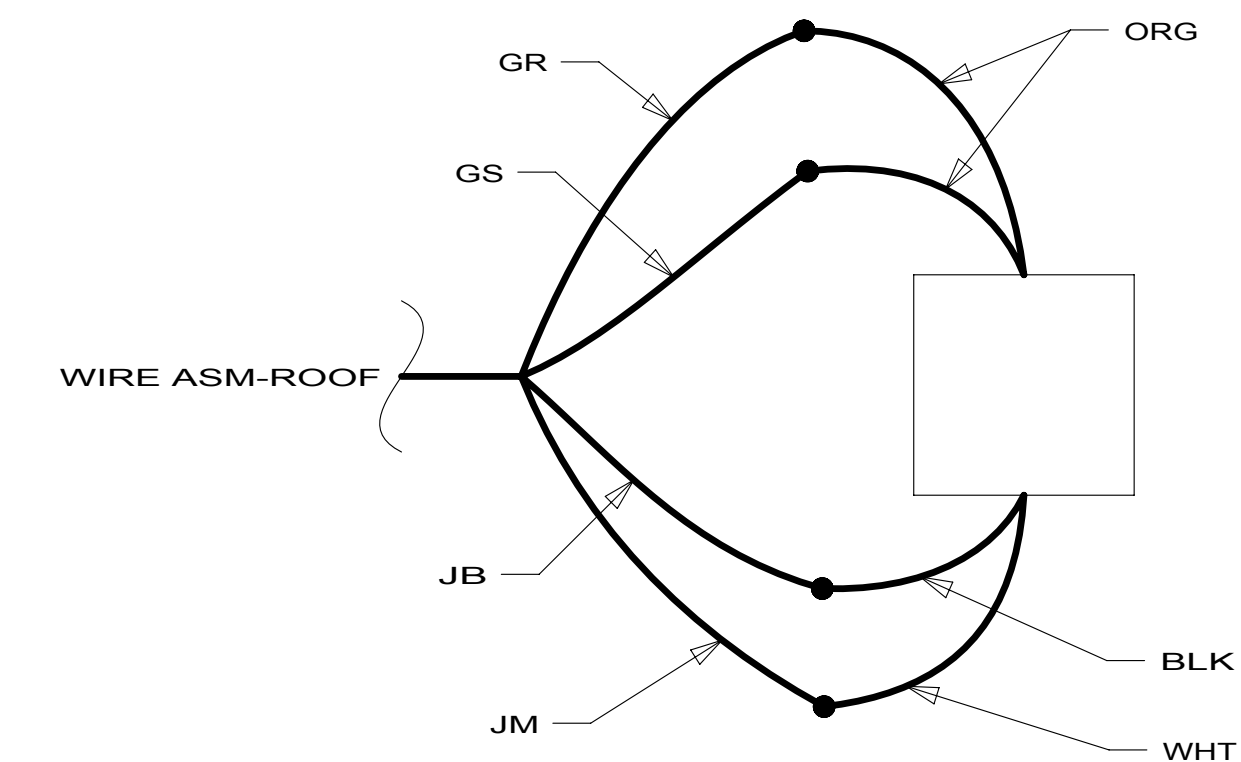
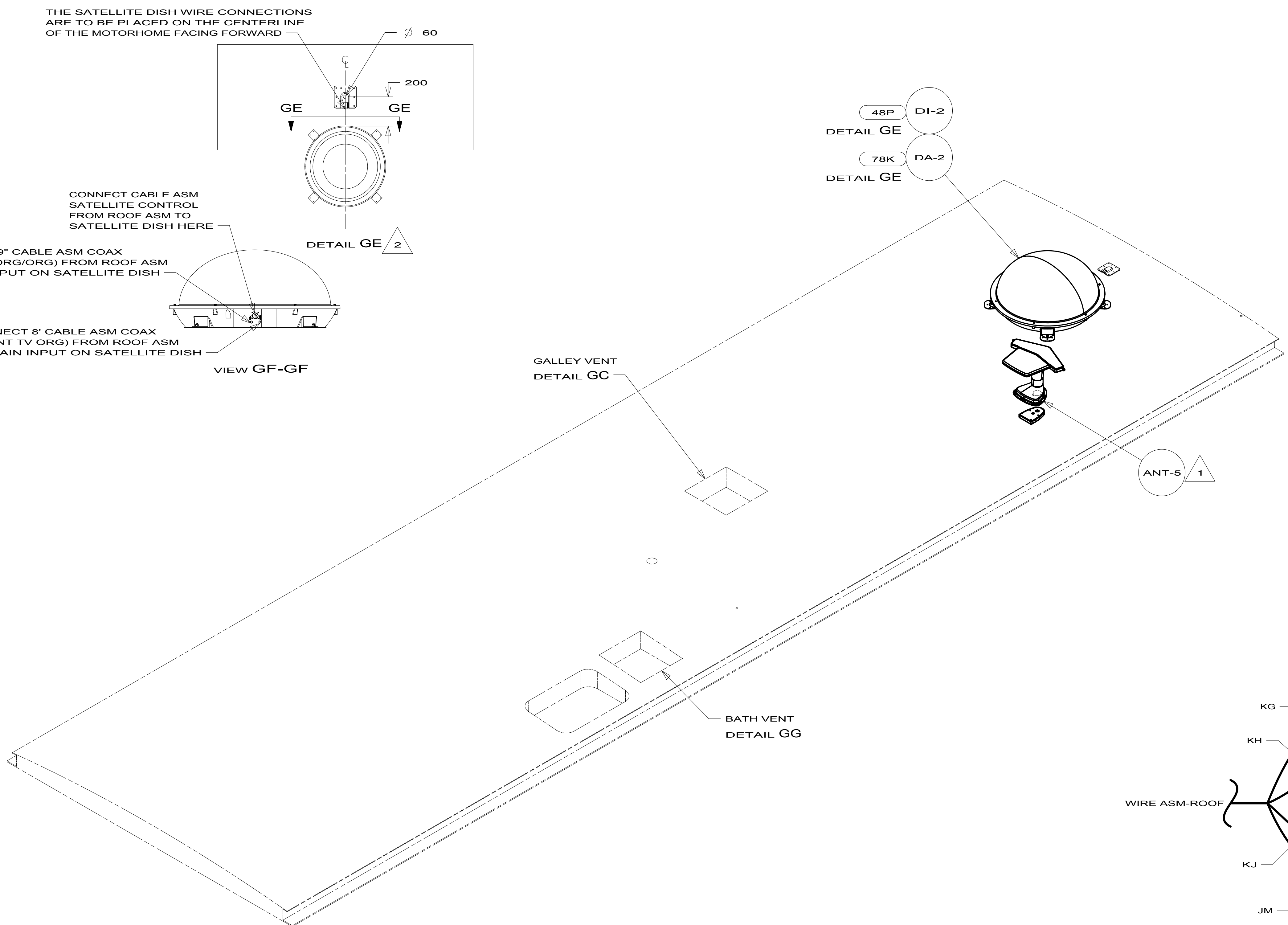
- NOTES:
- 4 CENTER FAN OVER 25MM HOLE IN ROOF.
 - 3 APPLY LOCTITE P/N 62917-06-000 TO FAN BLADE MOUNTING NUT THREADS.
 - 2 LAMP LOCATED IN SERVICE COMPARTMENT.
 - 1 LAMP LOCATED IN POWER CORD COMPARTMENT.

FOR ELECTRICAL
TORQUE
SPECIFICATIONS
SEE DWG NO.
128783-01-000

FOR
ELECTRICAL
CALLOUTS
SEE DWG NO.
121339-01-000

- 41Y FAN - CEILING_BEDROOM
- 265 CODES/STANDARDS-CSA/CMVSS
- 1B1 CODES/STANDARDS USA

FIRST USED	13 J32H	
TITLE:	DO NOT SCALE DRAWING	
	WIRING INSTL-BODY,12V	
SHEET 6	PART NO. 181235	REV



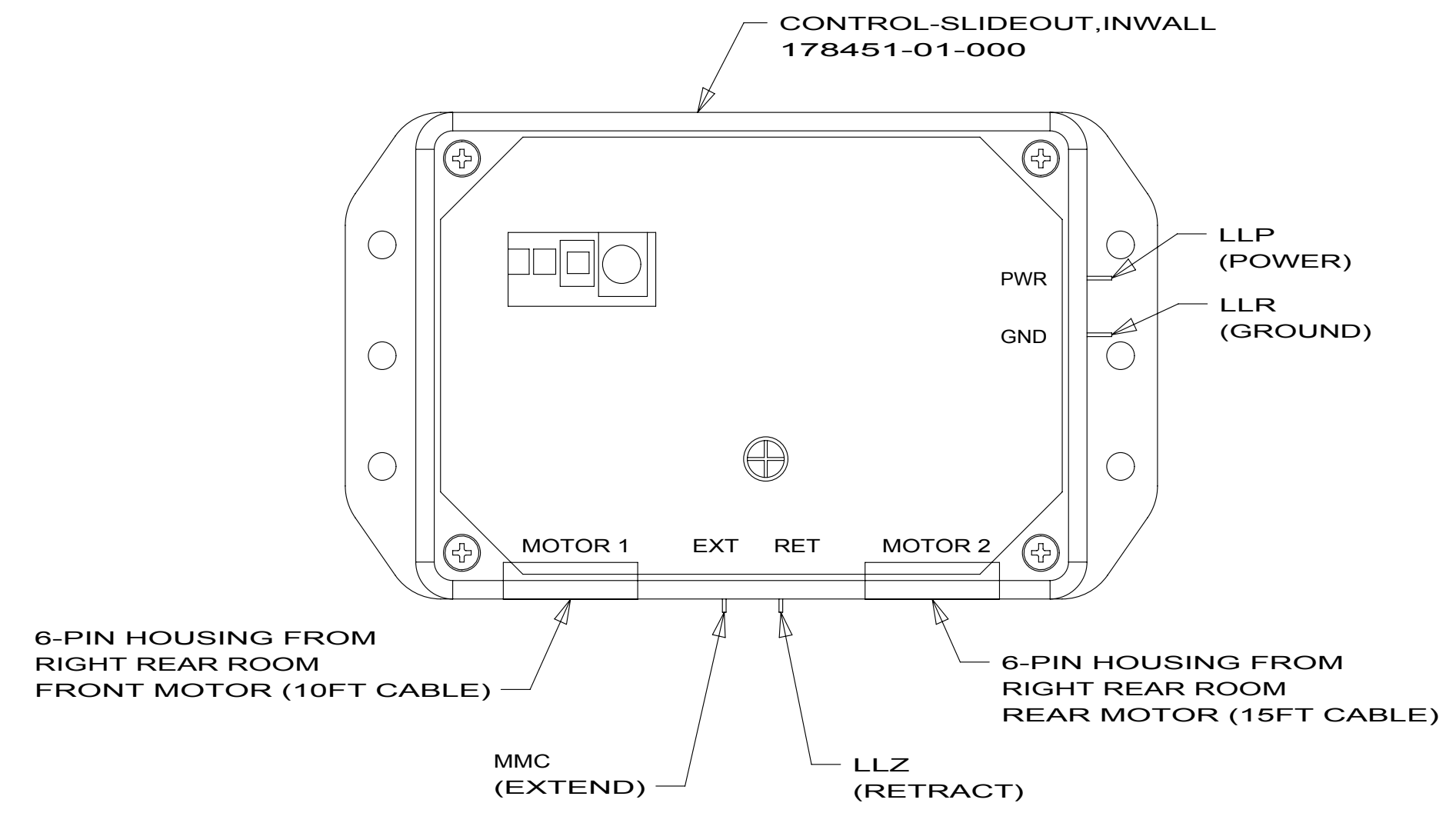
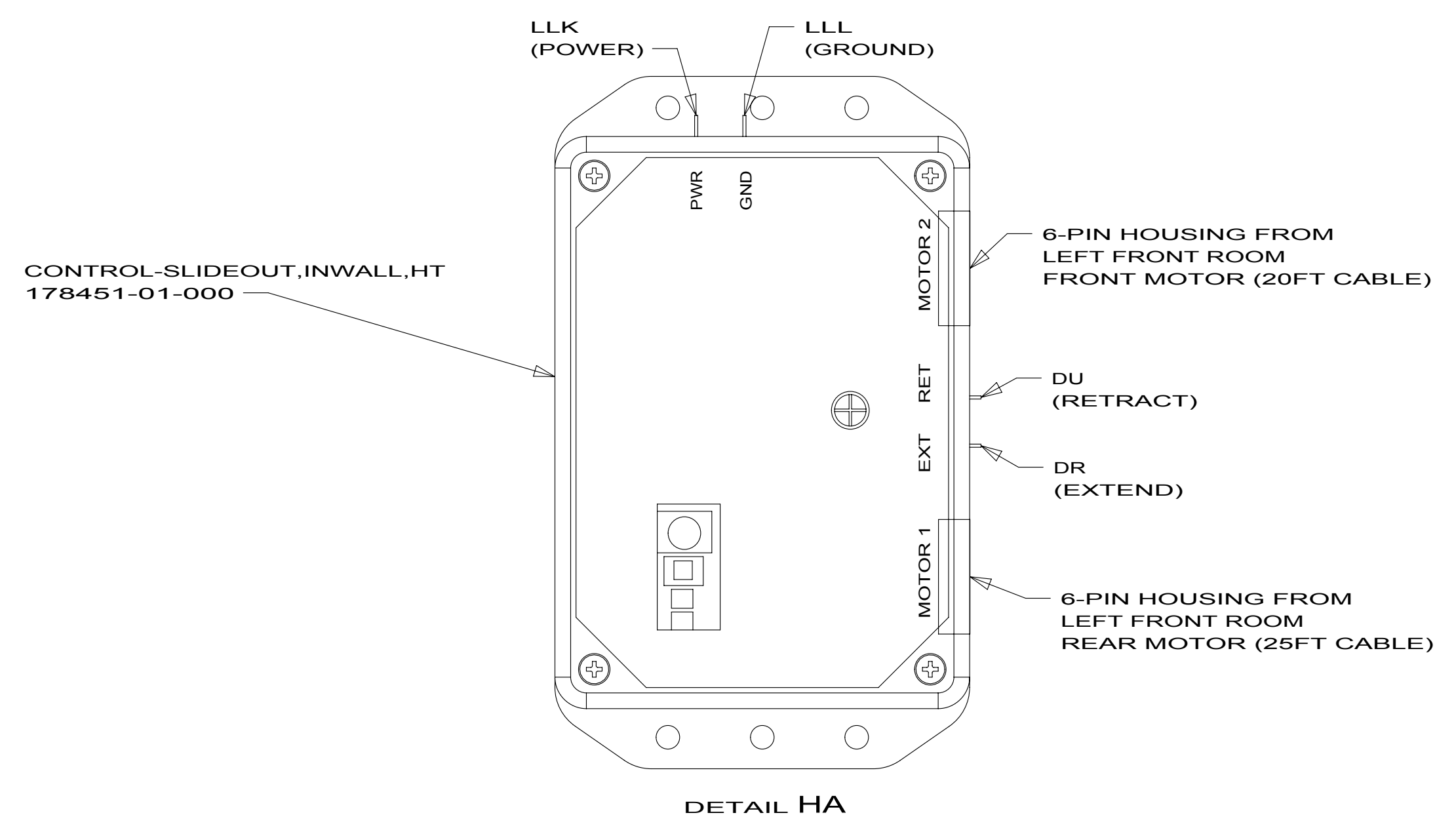
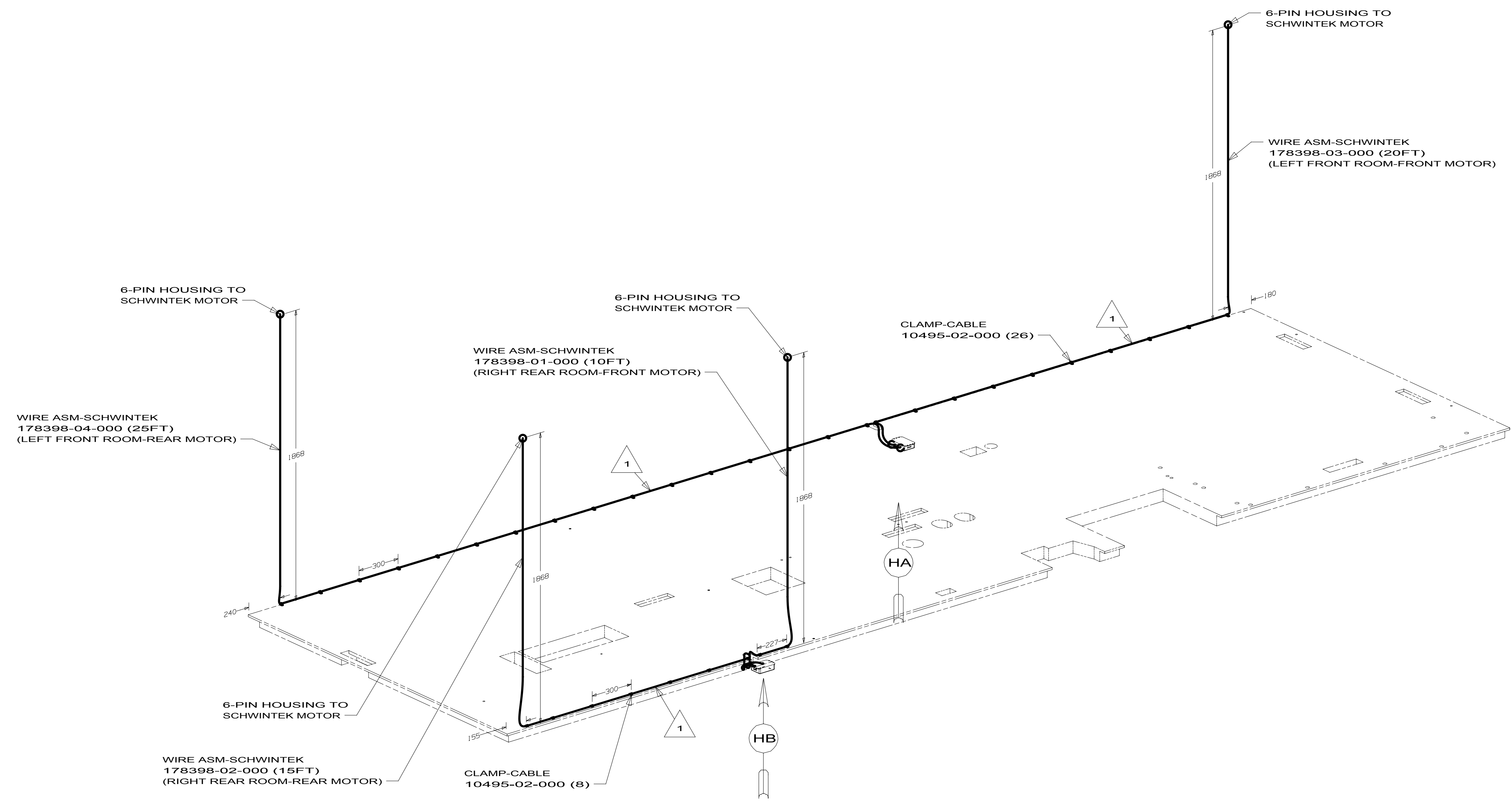
- 48P SAT TV SYSTEM IN-MOTION
- 41M VENT-POWER VENTILATOR
- 25D STEREO SYSTEM/W/CD/DVD REAR
- 78K SATELLITE DISH-AUTOMATIC
- 48Q SATELLITE DISH & ELEV.SENSOR
- 29Q SOLAR PANEL-10 WATT
- 1D3 ENTERTAIN CENTR/EXT TV-DVD
- 265 CODES/STANDARDS-CSA/CMVSS
- 1B1 CODES/STANDARDS USA

- NOTES:
- 3 SENSOR SUPPLIED WITH SATELLITE ASSEMBLY.
 - 2 REMOVE ALL SHIPPING RESTRAINTS AND FIRMLY INSERT THE SUPPLIED PLUGS INTO THE APPROPRIATE SIZED HOLES AS SPECIFIED IN THE INSTALLATION PROCESS.
 - 1 SEE ANTENNA INSTALLATION MANUAL FOR CORRECT INSTALLATION PROCEDURE.

FOR ELECTRICAL TORQUE SPECIFICATIONS SEE DWG NO. 128783-01-000

FOR ELECTRICAL CALLOUTS SEE DWG NO. 121339-01-000

FIRST USED		13 J32H	
DO NOT SCALE DRAWING			
TITLE: WIRING INSTL-BODY, 12V			
SHEET 7	PART NO	181235	REV



1 ROUTE WIRES ALONG FLOOR.

FOR ELECTRICAL TORQUE SPECIFICATIONS SEE DWG NO. 128783-01-000

FOR ELECTRICAL CALLOUTS SEE DWG NO. 121339-01-000

- 265 CODES/STANDARDS-CSA/CMVSS
- 1B1 CODES/STANDARDS USA

FIRST USED		13 J32H	
DO NOT SCALE DRAWING			
WIRING INSTL-BODY, 12V			
SHEET 8	PART NO.	181235	REV