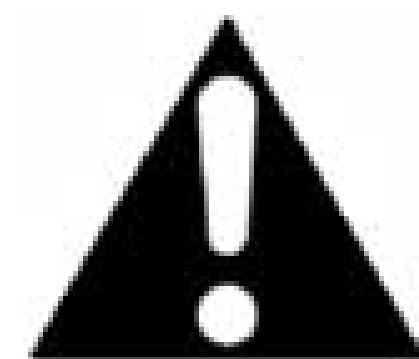




**DANGER**

**Danger of electrical shock, burns or death.** Always remove all power sources before attempting any repair, service or diagnostic work. Power can be present from shore power, generator, inverter or battery. All power sources must be disabled and secured before performing any service.



**CAUTION**

If you lack the skills, tools or equipment to perform diagnostic or repair work leave such work to an authorized Winnebago Industries dealer or other qualified shop.

DRAWING NO.	FEATURE	SHEET
181231-01	1LX 1AW	1,2
181231-02	16L 16Z 16A	1,3

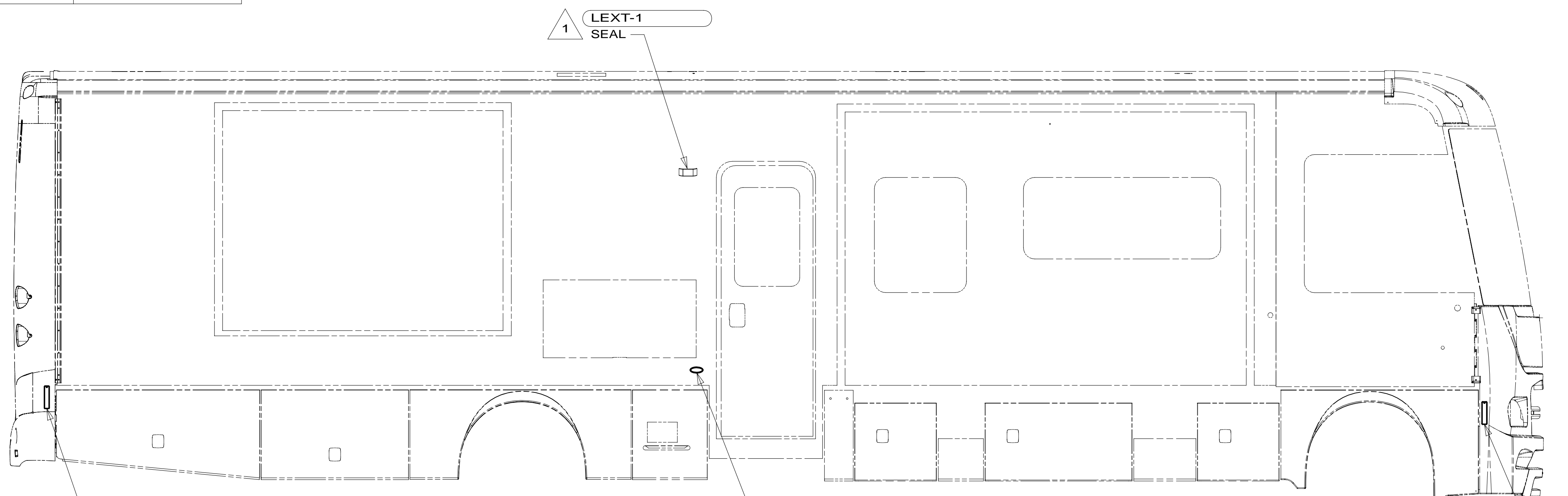
RELEASE	REV/DATE	DWG NO	181231
REV ZONE	REVISION RECORD	DATE	DFT-ORIG

D

C

B

A



LAMP-MARKER, RED  
117826-01-000  
GASKET-MARKER LIGHT  
117826-03-000  
BULB  
36196-01-000  
SCREW  
G39-08-16U (EXT) (2)

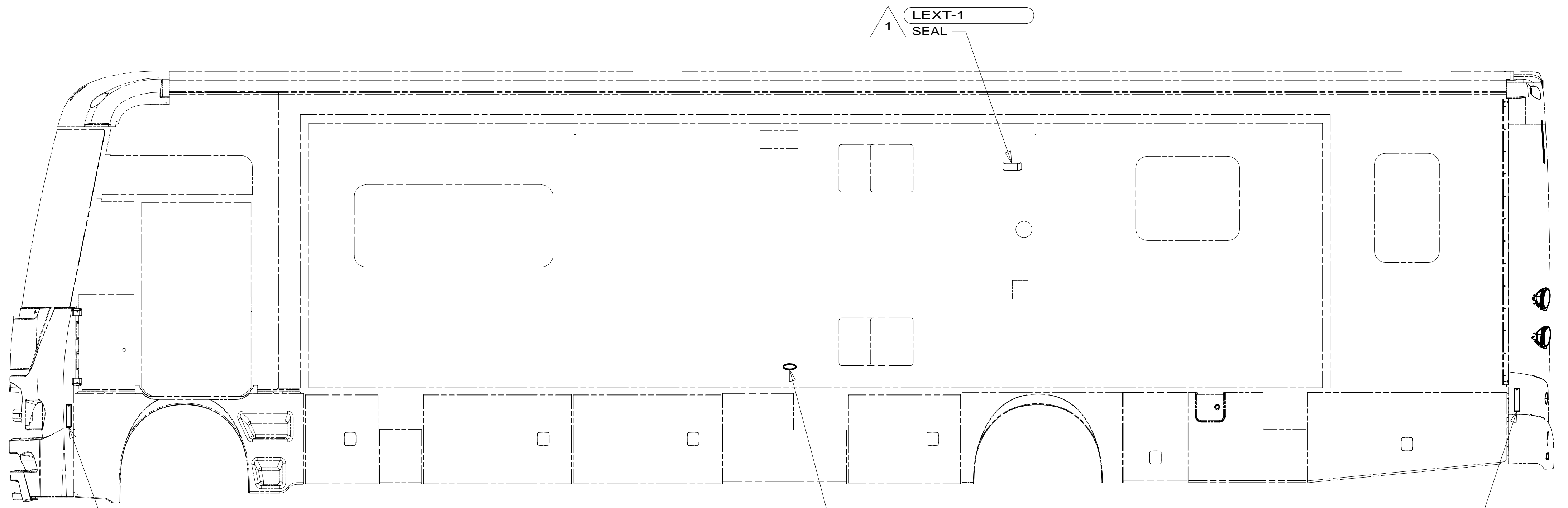
LAMP-MARKER, BASE  
147680-01-CHT  
LAMP-MARKER, LENS, AMBER  
147680-02-CHT  
SCREW  
G11-08-12U (EXT) (2)

LAMP-MARKER, AMBER  
117826-02-000  
GASKET-MARKER LIGHT  
117826-03-000  
BULB  
36196-01-000  
SCREW  
G39-08-16U (EXT) (2)

1LX 1AW

→

←



LAMP-MARKER, AMBER  
117826-02-000  
GASKET-MARKER LIGHT  
117826-03-000  
BULB  
36196-01-000  
SCREW  
G39-08-16U (EXT) (2)

1LX 1AW

LAMP-MARKER, BASE  
147680-01-CHT  
LAMP-MARKER, LENS, AMBER  
147680-02-CHT  
SCREW  
G11-08-12U (EXT) (2)

LAMP-MARKER, RED  
117826-01-000  
GASKET-MARKER LIGHT  
117826-03-000  
BULB  
36196-01-000  
SCREW  
G39-08-16U (EXT) (2)

- 1LX FRTL(FRED)22K-340HP 22.5 WHL
- 1AW FRTL(FRED)26K-340HP 22.5 WHL
- 16L FORD 22,000#-22.5 AL WHL
- 16Z FORD 24,000#-22.5 ALUM WHEEL
- 16A FORD 26,000#-22.5 AL WHL
- 265 CODES/STANDARDS-CSA/CMVSS
- 1B1 CODES/STANDARDS USA

1B1 265



DFT-ORIG	ORIG. DATE
CHKR	ALL DIMENSIONS ARE IN MILLIMETERS
P.E.	
M.E.	
DSNR	FIRST USED
13 J-SERIES	
UNSPECIFIED TOLERANCES ARE:	
WHOLE DIM (X)	: 3
ONE-PLACE (X.X)	: 1.5
TWO-PLACE (X.XX)	: 0.50
ANGLE	: 1°
THIRD ANGLE PROJECTION	
DO NOT SCALE DRAWING	REFER TO ES0018 FOR FASTENER TIGHTENING GUIDELINES

TITLE:	WIRING INSTL-EXTERIOR LAMPS
SHEET 1 OF 3	PART NO 181231 REV

FOR ELECTRICAL TORQUE SPECIFICATIONS SEE DWG NO. 128783-01-000

FOR ELECTRICAL CALLOUTS SEE DWG NO. 121339-01-000

1 NOT USED ON SHELLS.  
NOTES:

LAMP ASM-CLEARANCE,AMBER  
138996-01-000 (5)  
BRACKET-LAMP CLEARANCE  
138996-03-000 (5)  
SCREW  
G39-08-16U (10)

WIRE ASM-CLEARANCE LAMPS  
126486-04-000

2 PIN HOUSING TO  
WIRE ASM-IP,MAIN

HEADLAMP ASM-  
PARK/TURN RH  
172697-01-000  
WASHER  
E13-16-00U (3)  
NUT  
D29-05-00U (3)

LAMP ASM-FOG  
170774-01-000 (2)  
BRACKET  
176254-01-CHT (2)  
SCREW  
G18-08-06U (6)  
WASHER  
E14-08-00U (6)  
NUT  
D39-04-00U (6)  
BOLT  
C26-04-08U (8)  
NUT  
D39-04-00U (8)

WIRE ASM-HEADLAMP  
141678-20-000

12 OR 10 PIN HOUSING  
TO CHASSIS WIRING

1 OR 4 PIN HOUSING  
TO WIRE ASM-CHASSIS

HEADLAMP ASM-  
PARK/TURN LH  
172697-02-000  
WASHER  
E13-16-00U (3)  
NUT  
D29-05-00U (3)

RING TERMINALS  
TO GROUND STUD

VIEW BA

LAMP ASM-CLEARANCE,RED  
138996-02-000 (5)  
BRACKET-LAMP CLEARANCE  
138996-03-000 (5)  
SCREW  
G39-08-16U (10)

WIRE ASM-  
TAILLAMPS  
149622-14-000

LAMP ASM-STOP/  
TURN/TAIL LH  
177692-02-000  
NUT  
OMD34F-06-000 (3)  
SCREW  
C22-04-08U  
BRACKET-TAILLAMP  
175873-02-CHT

LAMP ASM-STOP/  
TURN/TAIL LH  
177692-02-000  
NUT  
OMD34F-06-000 (3)  
SCREW  
C22-04-08U  
BRACKET-TAILLAMP  
175873-04-CHT

LAMP-LICENSE PLATE  
87201-01-000  
SCREW  
G11-06-12U (EXT)(2)

TO GROUND STUD  
TP,RRJ  
(LOCATED ON BACKSIDE  
OF GENERATOR OUTRIGGER)  
NUT-GROUND  
D39-05-00B

CONNECTOR-TRAILER  
157593-01-000  
SCREW  
101618-01-000 (4)

LIGHT-THIRD BRAKE,LED  
151076-01-000 (2)  
SCREW  
G39-06-16U (4)

LAMP ASM-STOP/  
TURN/TAIL RH  
177692-01-000  
NUT  
OMD34F-06-000 (3)  
SCREW  
C22-04-08U  
BRACKET-TAILLAMP  
175873-01-CHT

LAMP ASM-STOP/  
TURN/TAIL RH  
177692-01-000  
NUT  
OMD34F-06-000 (3)  
SCREW  
C22-04-08U  
BRACKET-TAILLAMP  
175873-03-CHT

LAMP-BACKUP  
164943-01-000 (2)  
BULB  
117806-01-000 (2)  
NUT-PAL  
139130-01-CHT (4)

REFLECTOR  
166850-01-000 (2)  
SCREW  
G39-08-16U (4)

VIEW BB

- 7 REMOVE PAPER BACKING FROM REFLECTOR AND PREP APPLICATION SURFACE WITH ISOPROPYL ALCOHOL WIPE BEFORE INSTALLATION.
- 6 LAMP WILL ONLY BE USED AS A TAILLAMP.
- 5 MOUNT LAMP ASM SO THAT THE LABEL TOP IS IN THE UP POSITION.
- 4 CLEAN PAINT OFF METAL (BOLT) BEFORE CONNECTING GROUND TO INSURE CONTACT.
- 3 ON SHELLS THE SIDEMARKER LAMPS EXIT THE SIDEWALL HERE. SPLICE YELLOW WIRE TO CIRCUIT MM AND WHITE WIRE TO CIRCUIT TP WITH SPLICE 58028-01-000 (2).
- 2 SECURE WIRE ASM APPROX. EVERY 450 TO BACKWALL BRACKETS. USE TIE-WIRE 8343-01-000 OR 93147-01-000 AS APPROPRIATE.
- 1 GATHER ALL EXCESS WIRE AFTER MAKING ALL CONNECTIONS AND BUNDLE AND SECURE WITH TIE-WIRE 8343-01-000 OR 93147-01-000.

NOTES:

FOR ELECTRICAL  
TORQUE  
SPECIFICATIONS  
SEE DWG NO.  
128783-01-000

FOR  
ELECTRICAL  
CALLOUTS  
SEE DWG NO.  
121339-01-000

- 1AW FRTL(FRED)26K-340HP 22.5TIRE
- 1LX FRTL(FRED)22K-340HP 22.5TIRE
- 265 CODES/STANDARDS-CSA/CMVSS
- 1B1 CODES/STANDARDS USA

1B1 265 1AW 1LX

FIRST USED

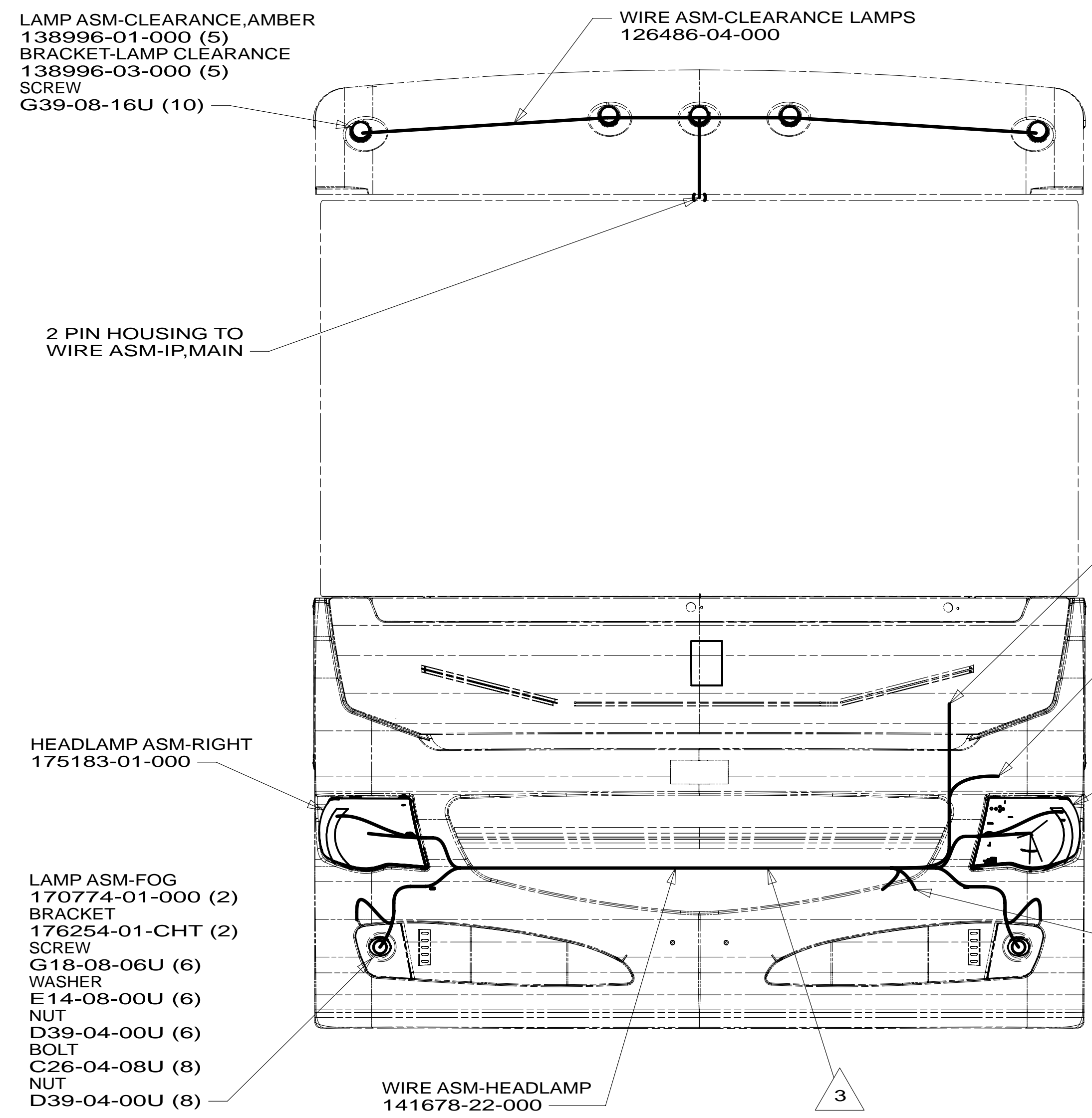
## 13 J-SERIES

DO NOT SCALE DRAWING

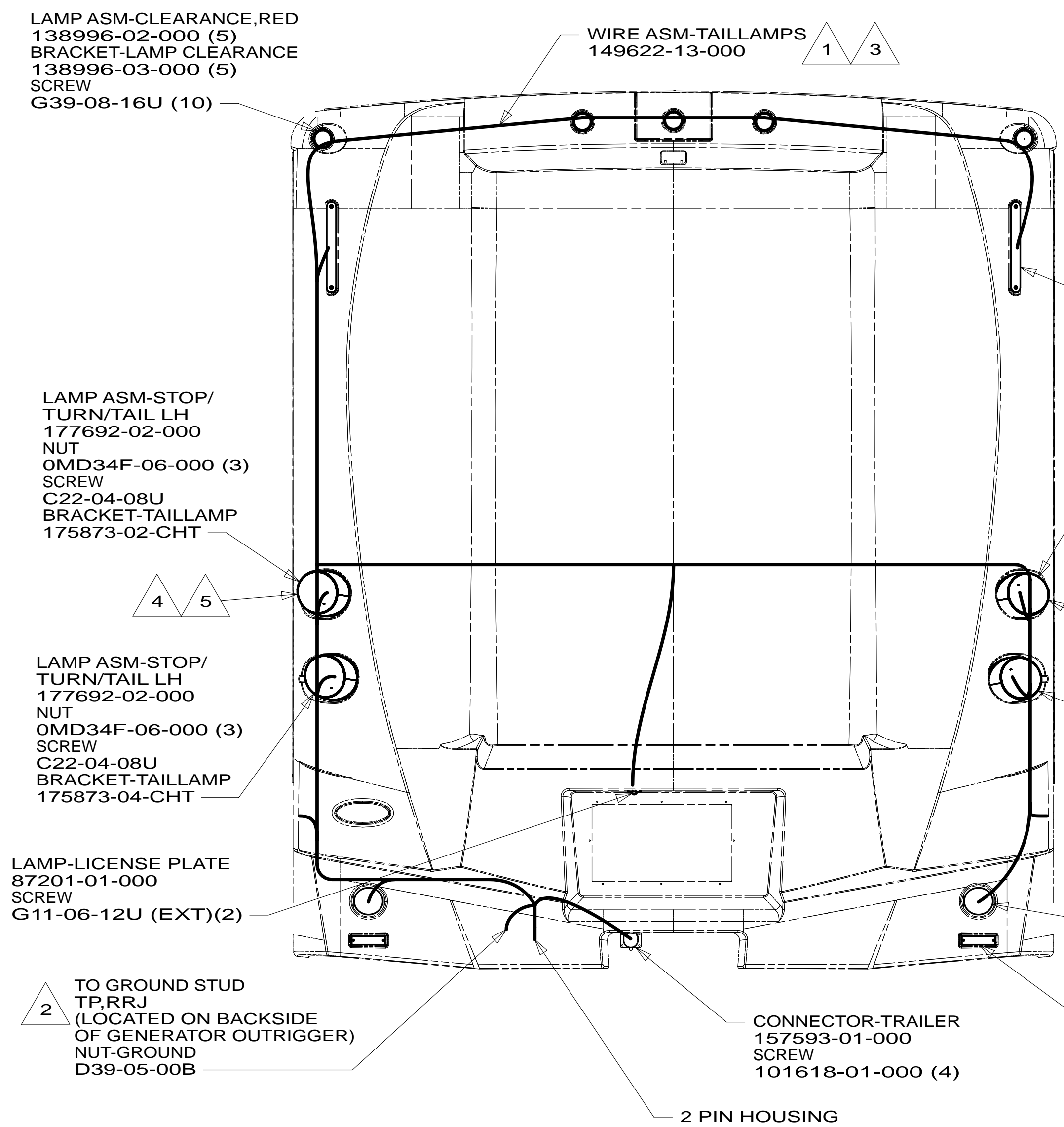
TITLE: WIRING INSTL-EXTERIOR LAMPS

SHEET 2 PART NO 181231 REV

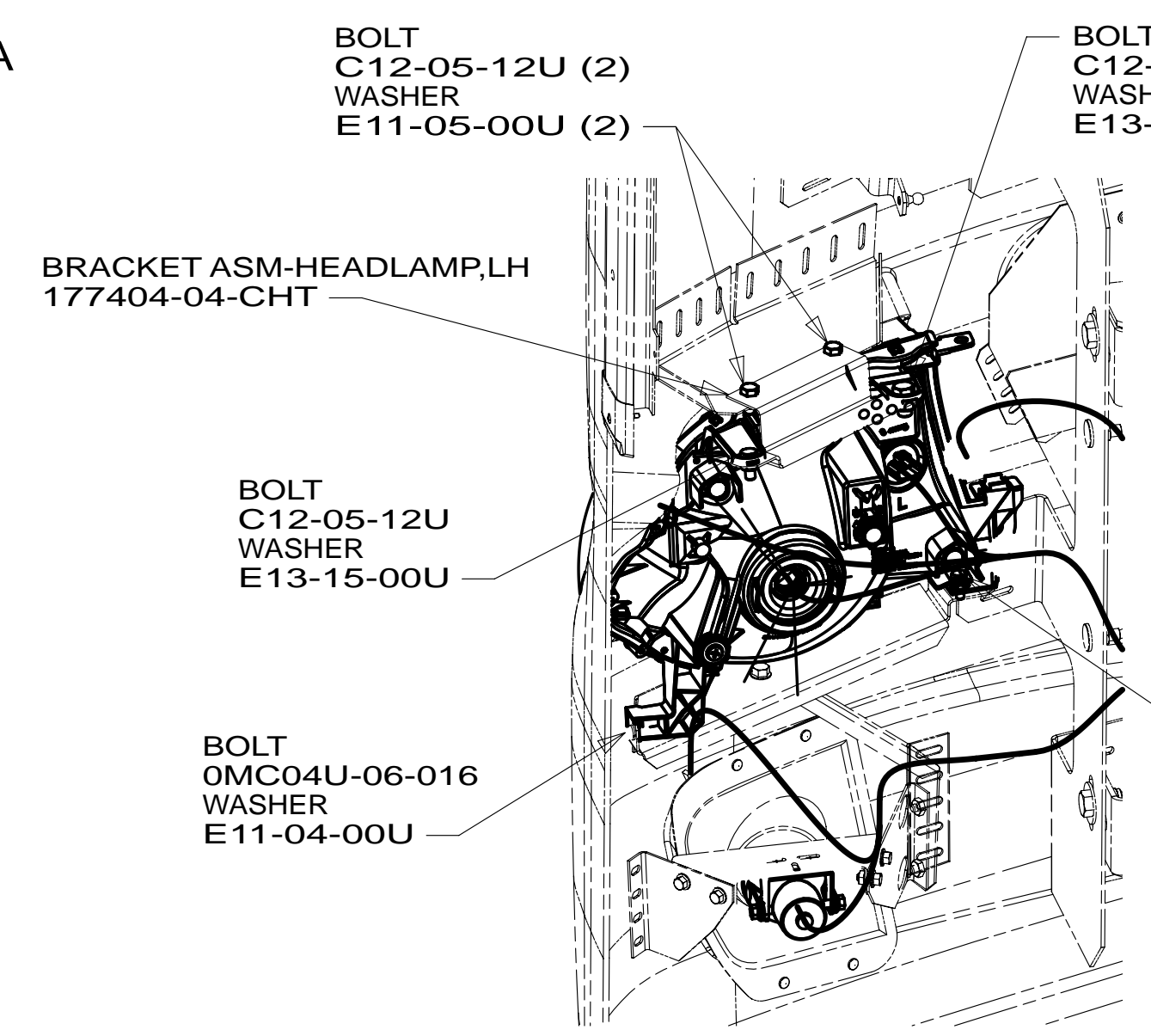
13-Sep-2012



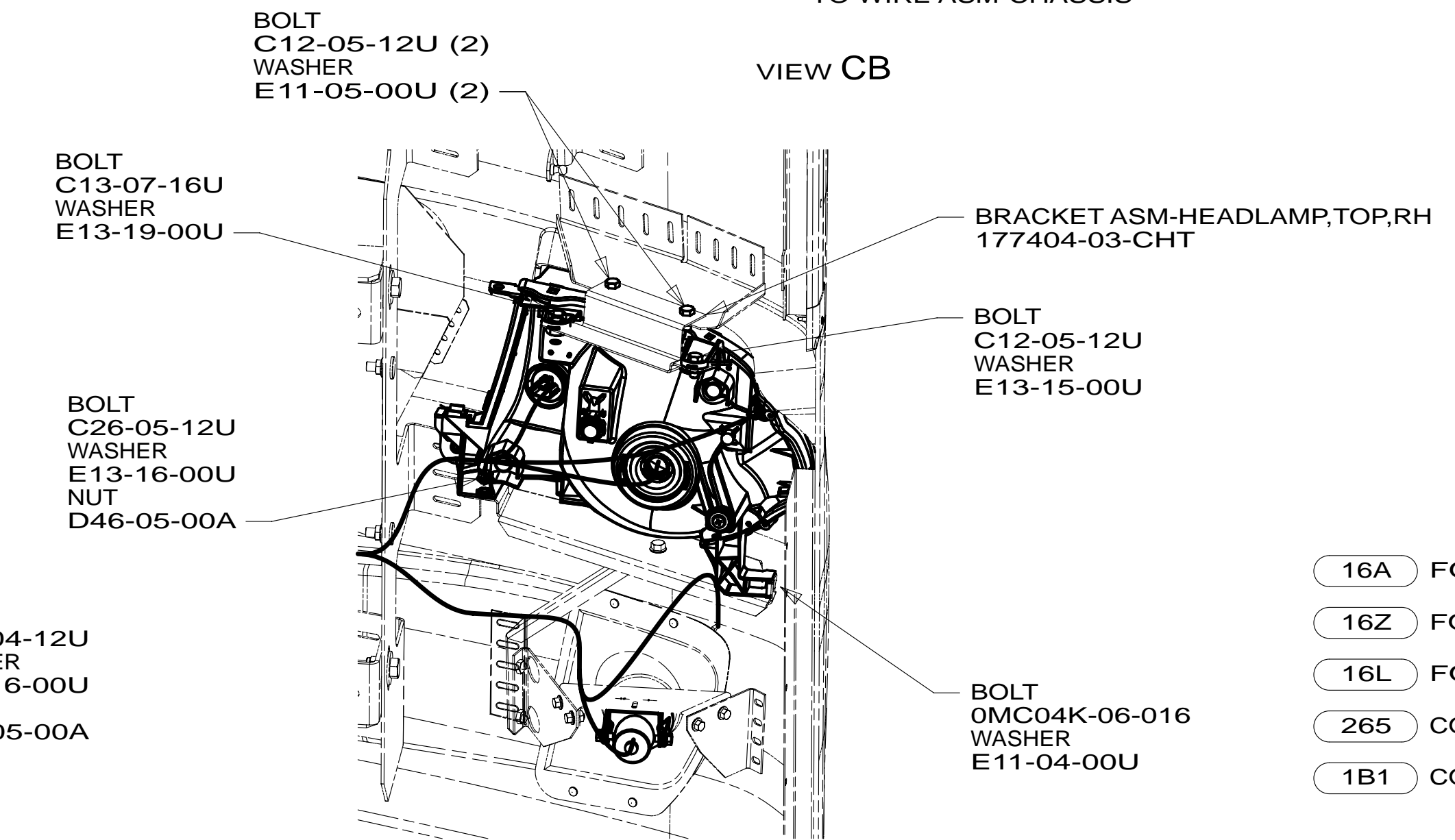
VIEW CA



VIEW CB



LEFT



RIGHT

- NOTES:
- 6 REMOVE PAPER BACKING FROM REFLECTOR AND PREP APPLICATION SURFACE WITH ISOPROPYL ALCOHOL WIPE BEFORE INSTALLATION.
  - 5 LAMP WILL ONLY BE USED AS A TAILLAMP.
  - 4 ON SHELLS THE SIDEMARKER LAMPS EXIT THE SIDEWALL HERE. SPLICE YELLOW WIRE TO CIRCUIT MM AND WHITE WIRE TO CIRCUIT TP WITH SPLICE 58028-01-000 (2).
  - 3 SECURE WIRE ASM APPROX. EVERY 450 TO BACKWALL BRACKETS. USE TIE-WIRE 8343-01-000 OR 93147-01-000 AS APPROPRIATE.
  - 2 CLEAN PAINT OFF METAL (BOLT) BEFORE CONNECTING GROUND TO INSURE CONTACT.
  - 1 GATHER ALL EXCESS WIRE AFTER MAKING ALL CONNECTIONS AND BUNDLE AND SECURE WITH TIE-WIRE 8343-01-000 OR 93147-01-000.

FOR ELECTRICAL TORQUE SPECIFICATIONS SEE DWG NO. 128783-01-000

FOR ELECTRICAL CALLOUTS SEE DWG NO. 121339-01-000

- 16A FORD 26,000#-22.5 AL WHL
- 16Z FORD 24,000#-22.5 ALUM WHEEL
- 16L FORD 22,000#-22.5 AL WHL
- 265 CODES/STANDARDS-CSA/CMVSS
- 1B1 CODES/STANDARDS USA

1B1 265 16A 16L 16Z

FIRST USED

## 13 J-SERIES

DO NOT SCALE DRAWING

TITLE: WIRING INSTL-EXTERIOR LAMPS

SHEET 3 PART NO 181231 REV

13-Sep-2012