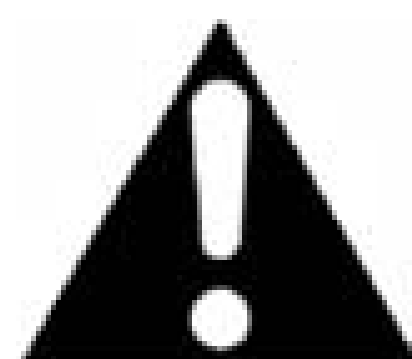




DANGER

Danger of electrical shock, burns or death. Always remove all power sources before attempting any repair, service or diagnostic work. Power can be present from shore power, generator, inverter or battery. All power sources must be disabled and secured before performing any service.

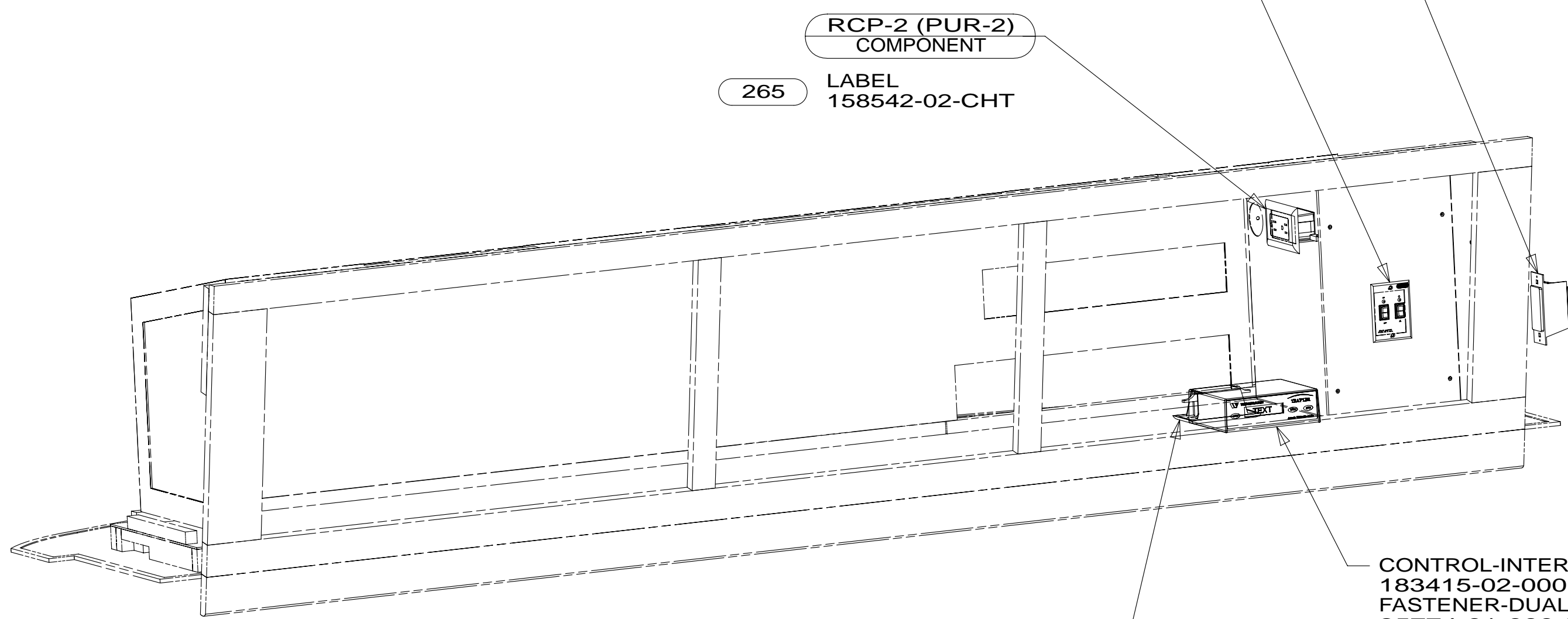
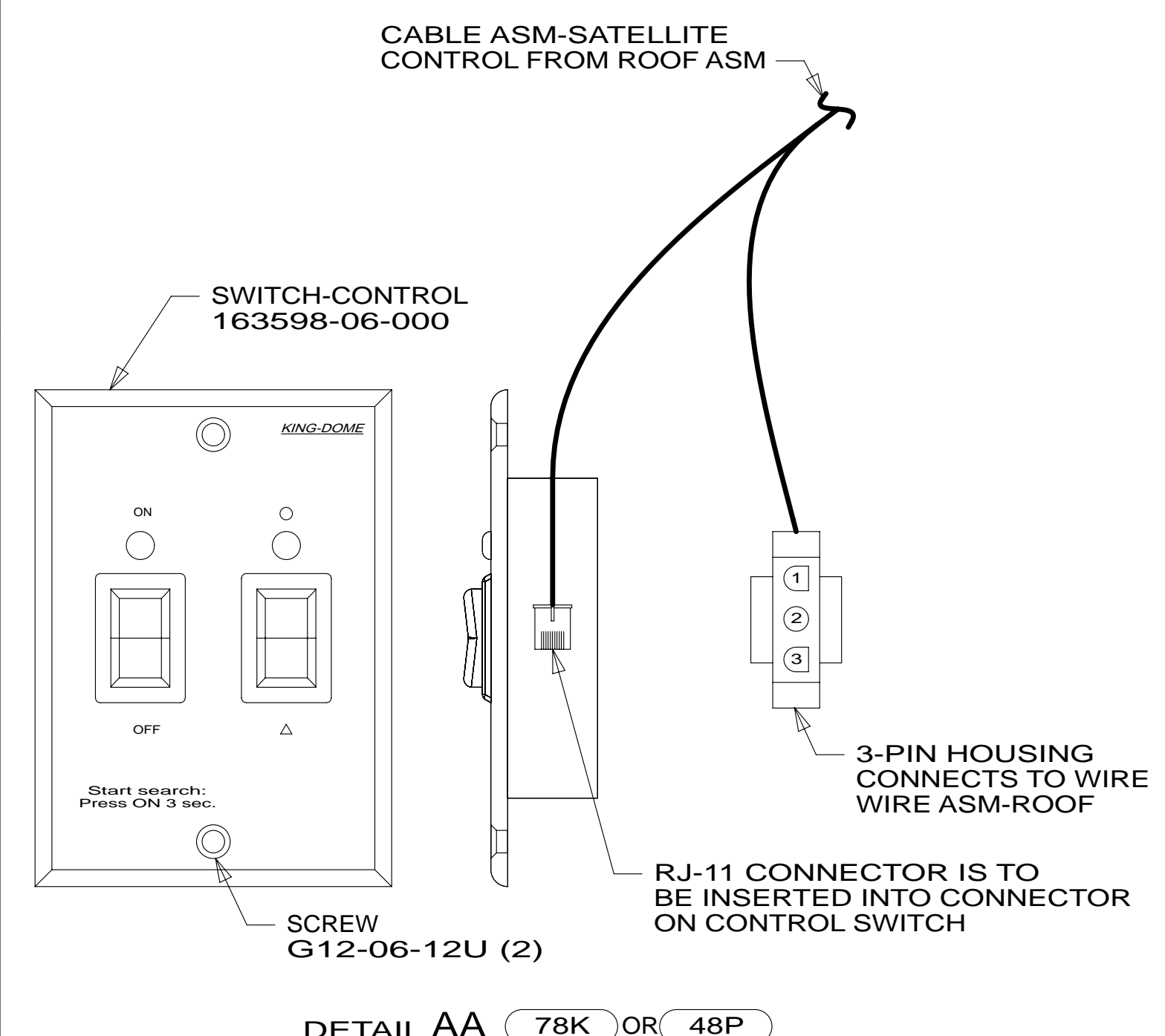


CAUTION

If you lack the skills, tools or equipment to perform diagnostic or repair work leave such work to an authorized Winnebago Industries dealer or other qualified shop.

DRAWING NO.	MODEL	SHEETS
181229-01	J32H	1,4,11
181229-02	J37F	2,5,7,9,10,12
181229-03	J35P	3,6,13
181229-04	J33S	2,8
181229-05	J38S	2,8

RELEASE	REV/DATE	DWG NO	181229
REV ZONE	REVISION RECORD	DATE	DTR-ORIG



SPEAKER
160868-01-CHT (3)
SCREW
G11-08-08U (12)

3 MATRIX-HDMI,IR EMITTER
180504-10-000

2 25M BLU-RAY HOME THEATER
186856-01-000
WIRE ASM-JUMPER,SPEAKER
153349-01-000
FASTENER-DUAL LOCK
85774-01-000
85774-02-000

RCP-B (DET AB)
OVHD

1 SWITCH-SATELLITE
DETAIL AA

RECEIVER-SATELLITE
(REF)

TV-32" FLAT
PANEL DLED,HDTV
186687-02-000

RCP-2 (PUR-2)
COMPONENT 1

RCP-2 (PUR-2)
COMPONENT 2

LABEL
158542-02-CHT 265

PLATE-WALL
149557-11-CHT
SCREW
G67-10-08U (2)

PLATE-WALL
149557-10-CHT
SCREW
G67-10-08U (2)

RCP-2 (PUR-2)
COMPONENT 3

PLATE-WALL,POWER SUPPLY
179004-02-CHT

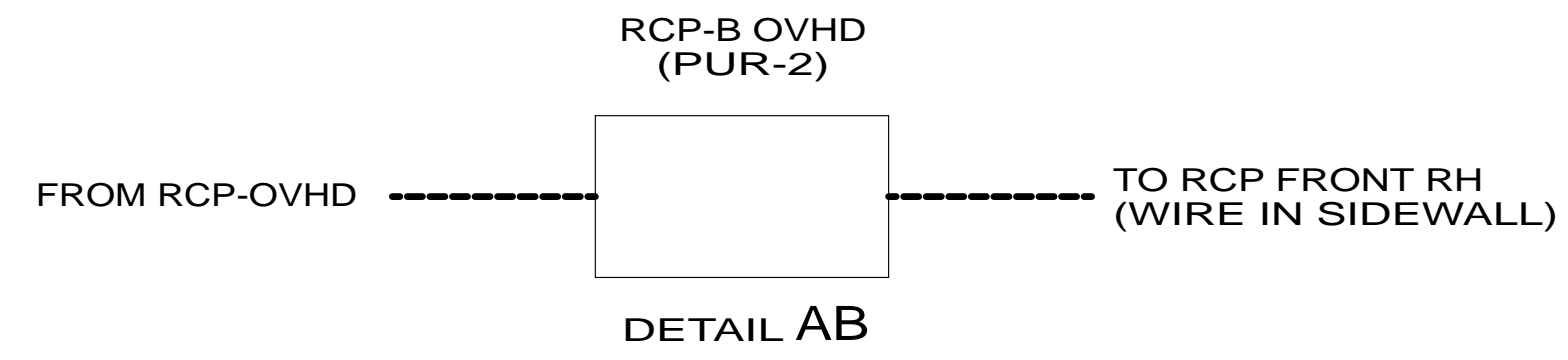
MATRIX-HDMI,IR EMITTER
180504-10-000 (2)
(SATELLATE PREP)

- 783 SATELLITE HD TV SYSTEM AUTOC
- 25M HOME THEATER SYSTEM, BLU-RAY
- 48P SAT TV SYSTEM IN-MOTION
- 78K SATELLITE DISH-AUTOMATIC
- 1JM HOME THEATER SOUND SYSTEM
- 42K TV-32" COLOR,STEREO W/REMOTE
- 265 CODES/STANDARDS-CSA/CMVSS
- 1B1 CODES/STANDARDS USA

1B1 265 42K

MATRIX-HDMI
180504-06-000
BRACKET-VIDEO SWITCH
156586-08-CHT
SCREW
G11-08-12U (4)

- NOTES:
- 5 PLACE I.R. RECEIVER ON TOP OF 4X4 MATRIX FACING OPENING.
 - 4 INTERIOR CONTROL CONNECTS TO SATELLITE DATA CABLE. SEE ROOF ASM FOR ADDITIONAL INFORMATION.
 - 3 PLACE I.R.E. IN FRONT OF THE BLU-RAY PLAYER AS SHOWN. (150 MM FROM RIGHT SIDE)
 - 2 SET DVD PLAYER FOR AUDIO ON HDMI AND MAX VIDEO OUTPUT TO 1080i.
 - 1 SEE ROOF ASM FOR ADDITIONAL INFORMATION.



FOR ELECTRICAL
TORQUE
SPECIFICATIONS
SEE DWG NO.
128783-01-000

FOR
ELECTRICAL
CALLOUTS
SEE DWG NO.
121339-01-000

WINNEBAGO COPYRIGHT 2013 WINNEBAGO INDUSTRIES, INC.

DTR	ORIG. DATE
CHKR	ALL DIMENSIONS ARE IN MILLIMETERS
P.E.	
M.E.	FIRST USED
DSNR	13 J-SERIES

UNSPECIFIED TOLERANCES ARE:

WHOLE DIM (X)	: 3
ONE-PLACE (X.X)	: 1.5
TWO-PLACE (X.XX)	: 0.50
ANGLE	: 1°

THIRD ANGLE PROJECTION

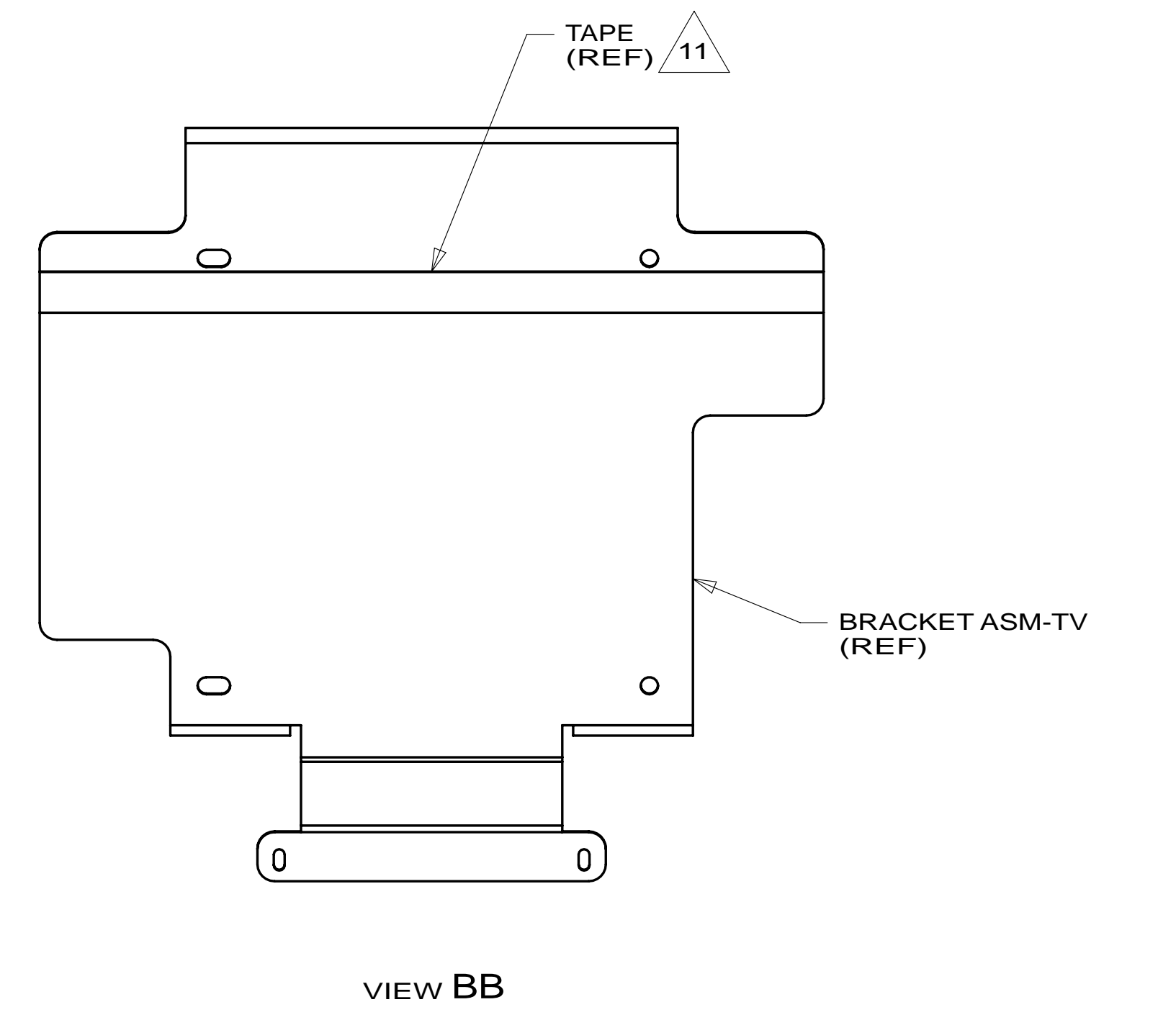
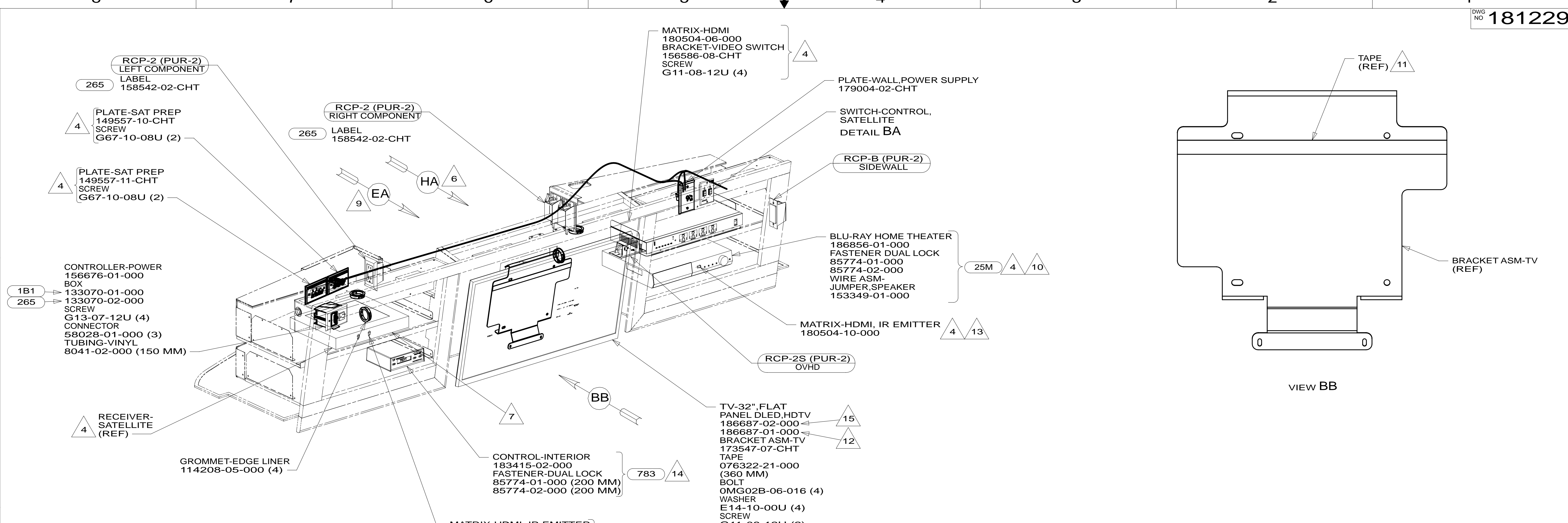
DO NOT SCALE DRAWING REFER TO ES0018 FOR FASTENER TIGHTENING GUIDELINES

TITLE: **WIRING INSTL-TV/DVD**

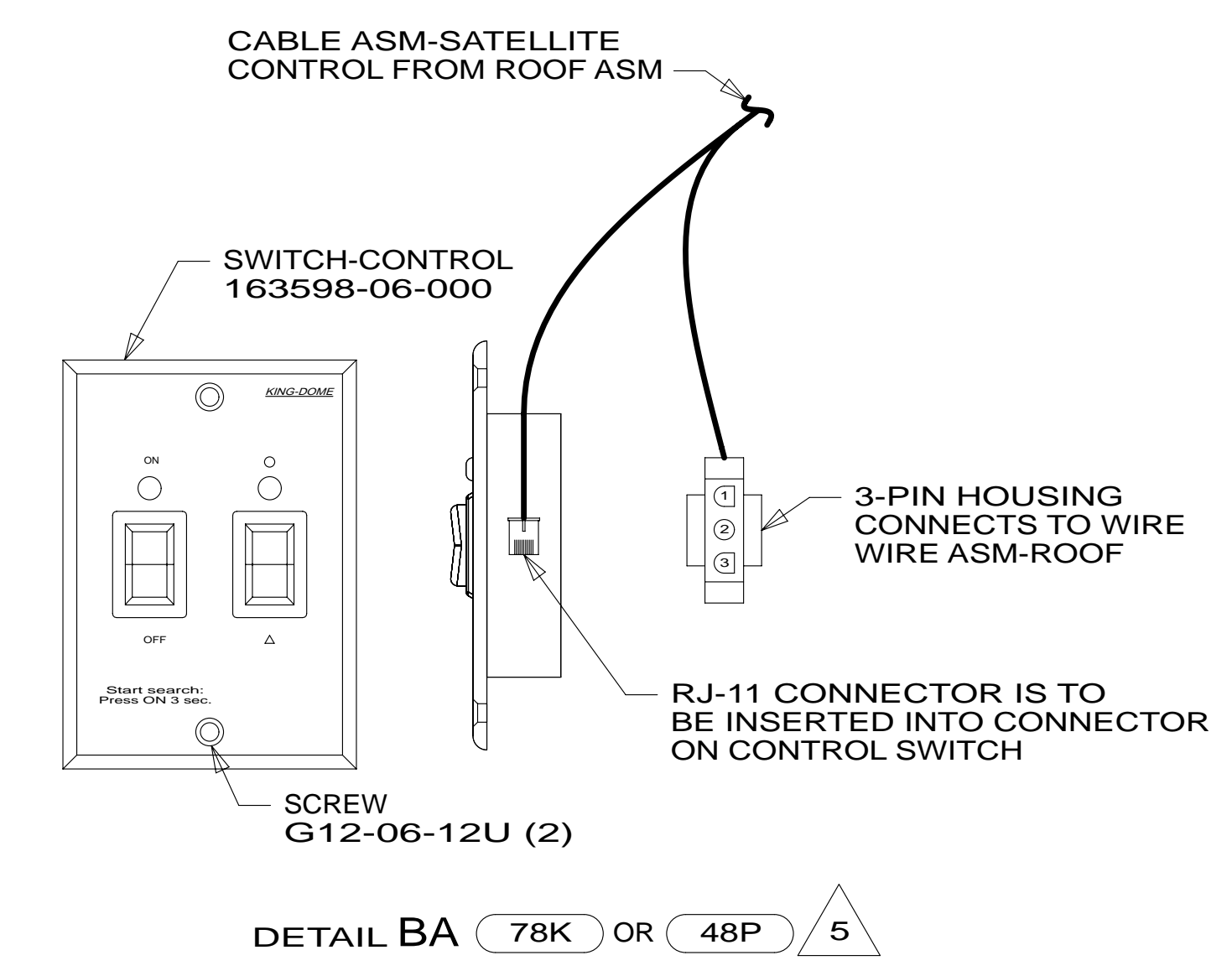
SHEET 1 OF 13 PART NO **181229** REV

REF: 1 11-Jun-2013

* 181229 *



- 15 USED ON J37F.
 - 14 INTERIOR CONTROL CONNECTS TO SATELLITE DATA CABLE. SEE ROOF ASM FOR ADDITIONAL INFORMATION.
 - 13 PLACE I.R.E. IN FRONT OF THE BLU-RAY PLAYER AS SHOWN. (150 MM FROM THE RIGHT SIDE)
 - 12 USED ON J33S & J38S.
 - 11 CLEAN AND APPLY ADHESIVE PROMOTER 87211-01-000 TO BOTH SURFACES AND BOND WHERE TOP FLANGE OF BRACKET CONTACTS PLASTIC TV BEZEL.
 - 10 SET DVD PLAYER FOR AUDIO ON HDMI AND MAX VIDEO OUTPUT TO 1080i.
 - 9 USED ON J37F ONLY.
 - 8 POSITION TRANSMITTER ON THE TOP OF THE DVD/VCR 180MM FROM THE RIGHT SIDE TO LINE UP WITH THE RECEIVER EYE.
 - 7 POSITION OTHER IR TRANSMITTER HERE OR COIL FOR FUTURE USE.
 - 6 USED ON J33S OR J38S ONLY.
 - 5 SEE ROOF ASM FOR ADDITIONAL INFORMATION.
 - 4 NOT USED ON J33S OR J38S.
3. WHERE WIRES PASS THROUGH HOLES IN STEEL AND NOT OTHERWISE PROTECTED, USE GROMMET 92908-02-000.
 2. ALL WIRES TO BE SECURED WITH CLAMP 10495-01-000 OR CLIP 80734-01-000 EVERY 600MM. USE SCREW G67-10-12U UNLESS OTHERWISE SPECIFIED.
 1. 110V WIRE TO BE CLAMPED WITH CLAMP 10497-05-000 WITHIN 200MM OF OUTLET BOXES, USE SCREW G67-10-12U.

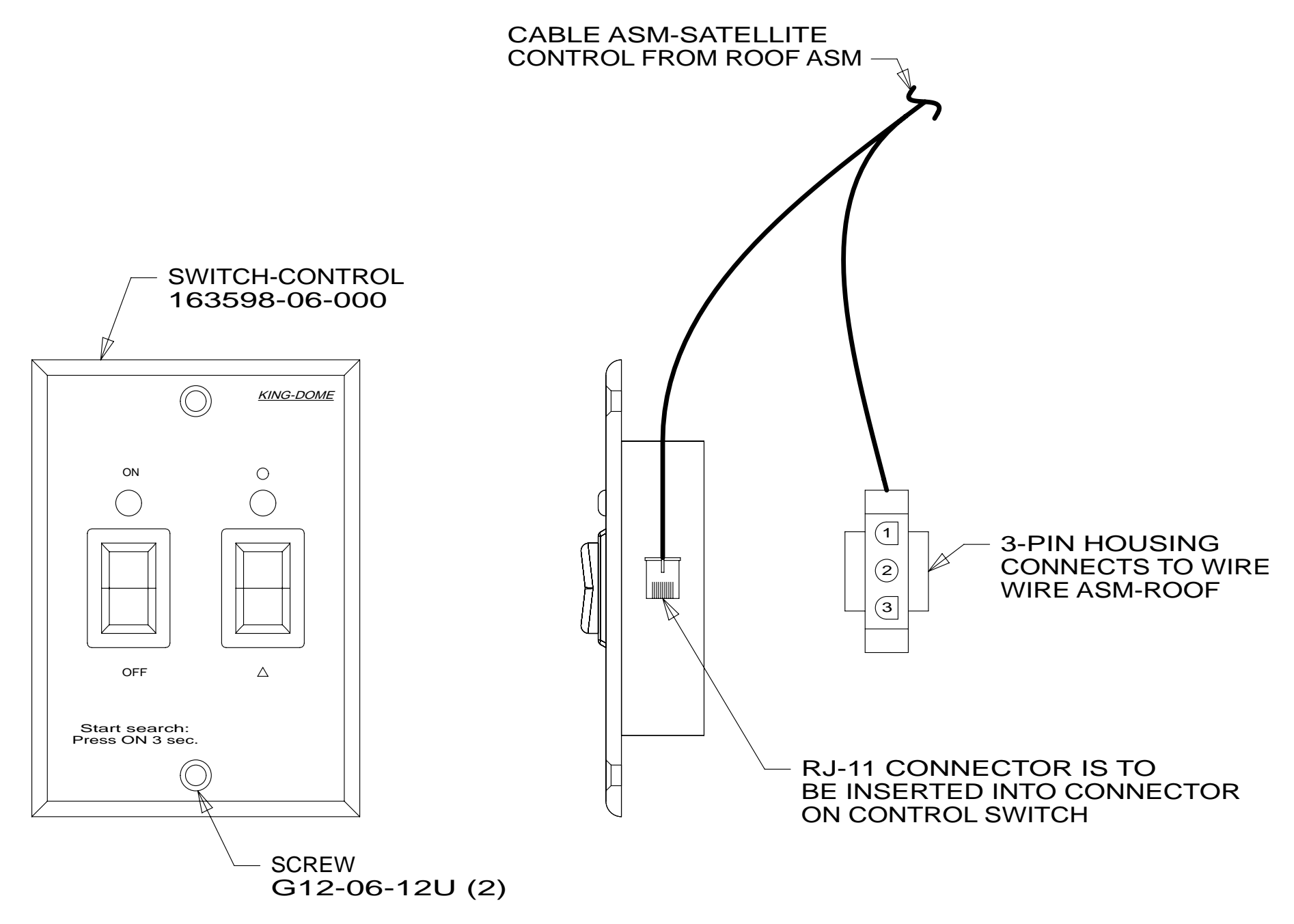
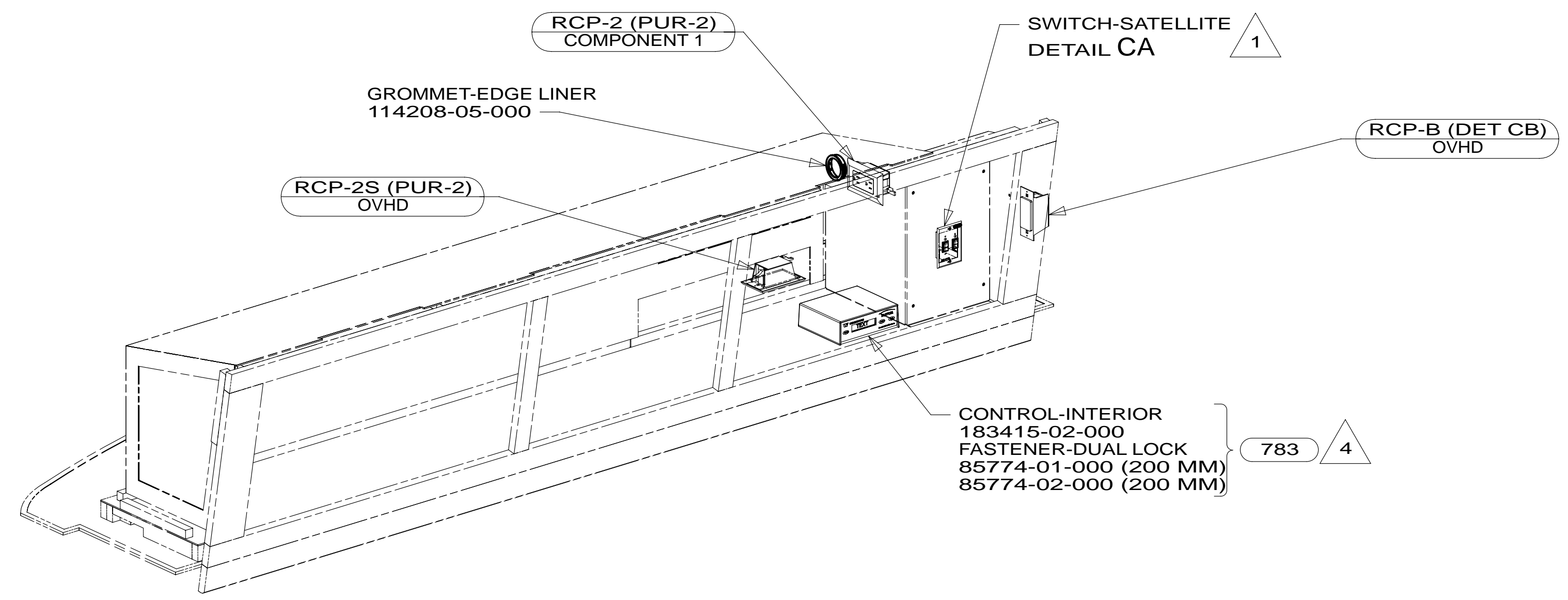


- 783 SATELLITE HD TV SYSTEM AUTOC
- 25M HOME THEATER SYSTEM, BLU-RAY
- 48P SAT TV SYSTEM IN-MOTION
- 78K SATELLITE DISH-AUTOMATIC
- 1JM HOME THEATER SOUND SYSTEM
- 21R DINING/BUFFET/POWERED TV
- 42K TV-32" COLOR, STEREO W/REMOTE
- 265 CODES/STANDARDS-CSA/CMVSS
- 1B1 CODES/STANDARDS USA

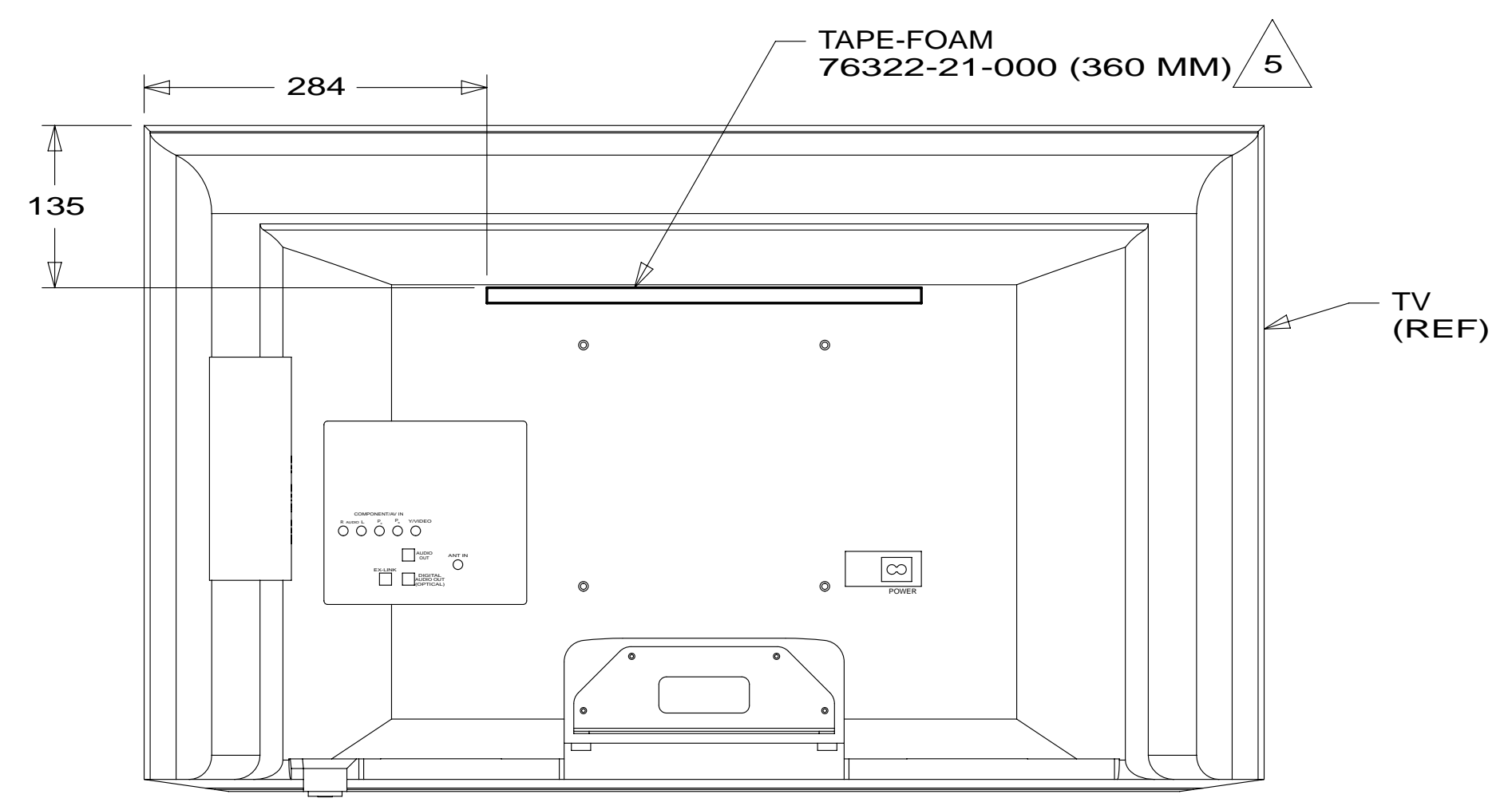
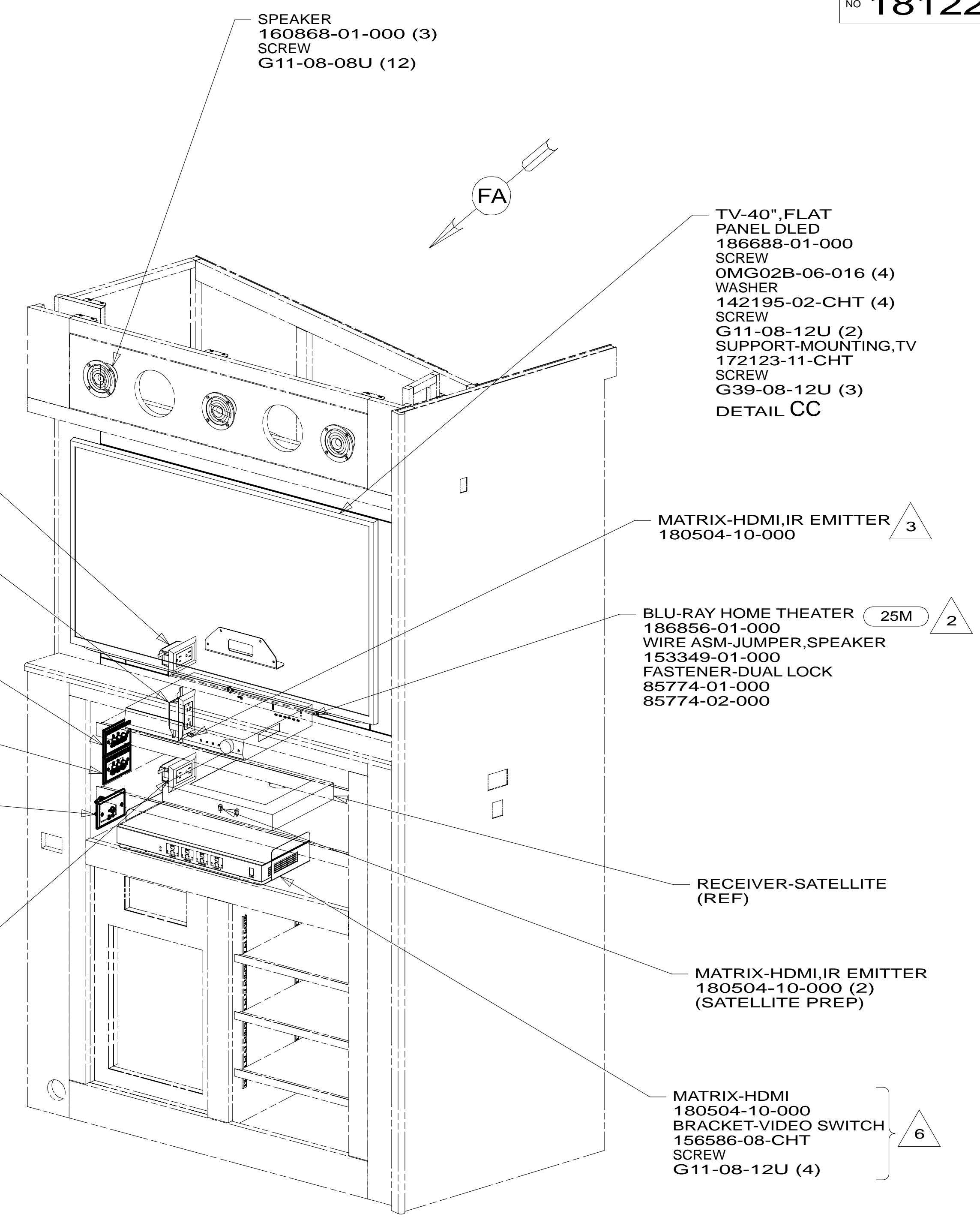
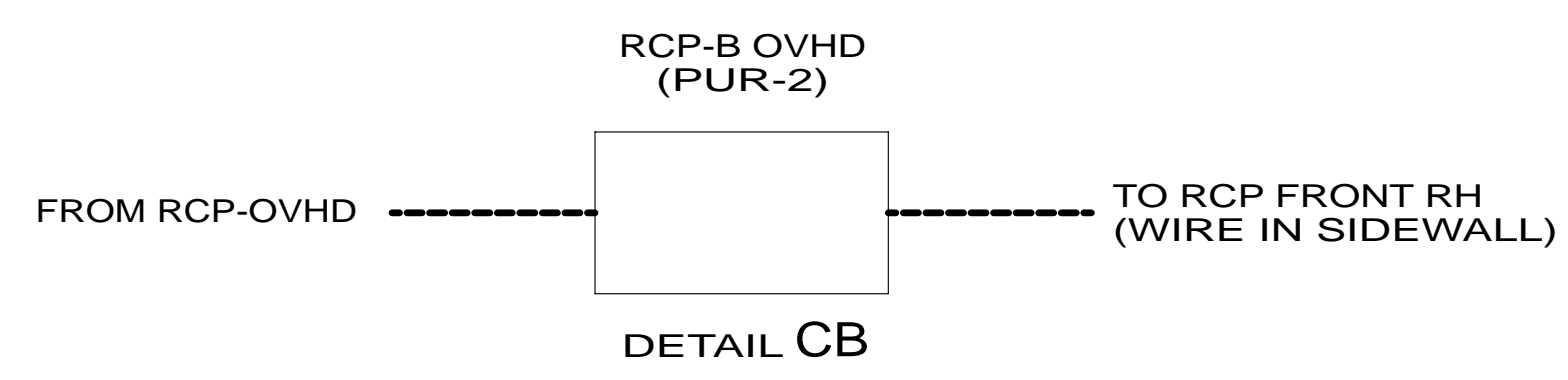
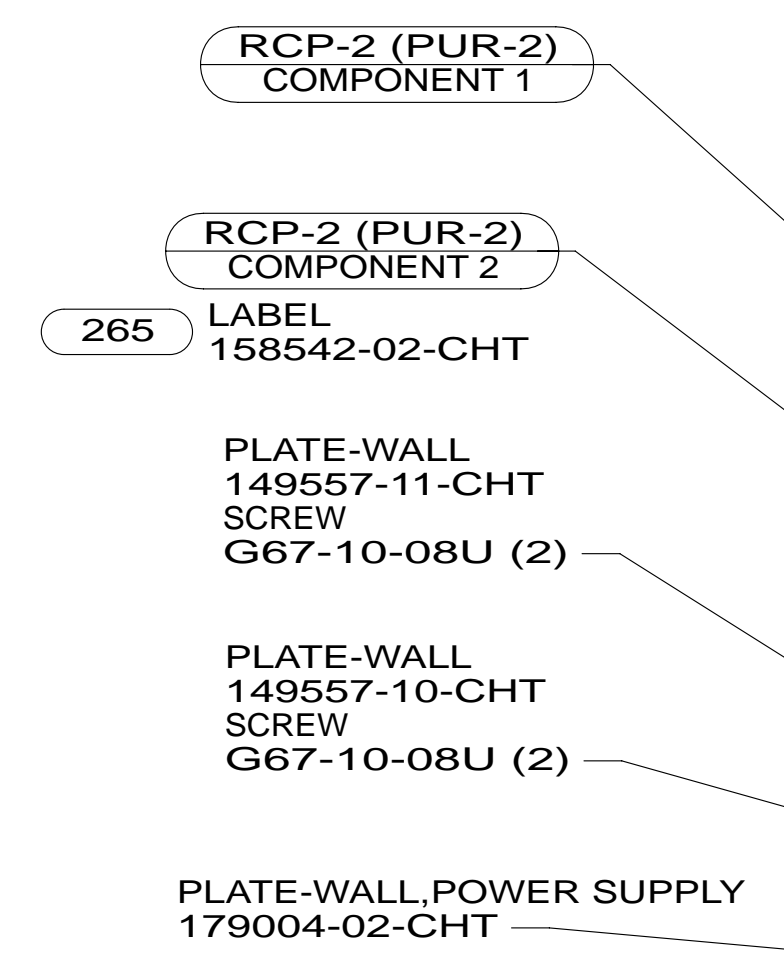
FOR ELECTRICAL TORQUE SPECIFICATIONS SEE DWG NO. 128783-01-000

X-X FOR ELECTRICAL CALLOUTS SEE DWG NO. 121339-01-000

FIRST USED		13 J-SERIES	
DO NOT SCALE DRAWING			
TITLE: WIRING INSTL-TV/DVD			
SHEET 2	PART NO	181229	REV
		11-Jun-2013	



DETAIL CA (78K OR 48P)



DETAIL CC

- NOTES:
- 6 PLACE I.R. RECEIVER ON TOP OF 4X4 MATRIX FACING OPENING.
 - 5 CLEAN AND APPLY ADHESIVE PROMOTER 87211-01-000 TO BOTH SURFACES AND BOND WHERE TOP FLANGE OF BRACKET CONTACTS PLASTIC TV BEZEL.
 - 4 INTERIOR CONTROL CONNECTS TO SATELLITE DATA CABLE. SEE ROOF ASM FOR ADDITIONAL INFORMATION.
 - 3 PLACE I.R.E. IN FRONT OF THE BLU-RAY PLAYER AS SHOWN. (150 MM FROM RIGHT SIDE)
 - 2 SET DVD PLAYER FOR AUDIO ON HDMI AND MAX VIDEO OUTPUT TO 1080i.
 - 1 SEE ROOF ASM FOR ADDITIONAL INFORMATION.

- (783) SATELLITE HD TV SYSTEM AUTOC
- (25M) HOME THEATER SYSTEM, BLU-RAY
- (1JM) HOME THEATER SOUND SYSTEM
- (48P) SAT TV SYSTEM IN-MOTION
- (78K) SATELLITE DISH-AUTOMATIC
- (68D) TV-40" COLOR, STEREO W/REMOTE
- (265) CODES/STANDARDS-CSA/CMVSS
- (1B1) CODES/STANDARDS USA

1B1 265 68D

FIRST USED

13 J-SERIES

DO NOT SCALE DRAWING

TITLE: WIRING INSTL-TV/DVD

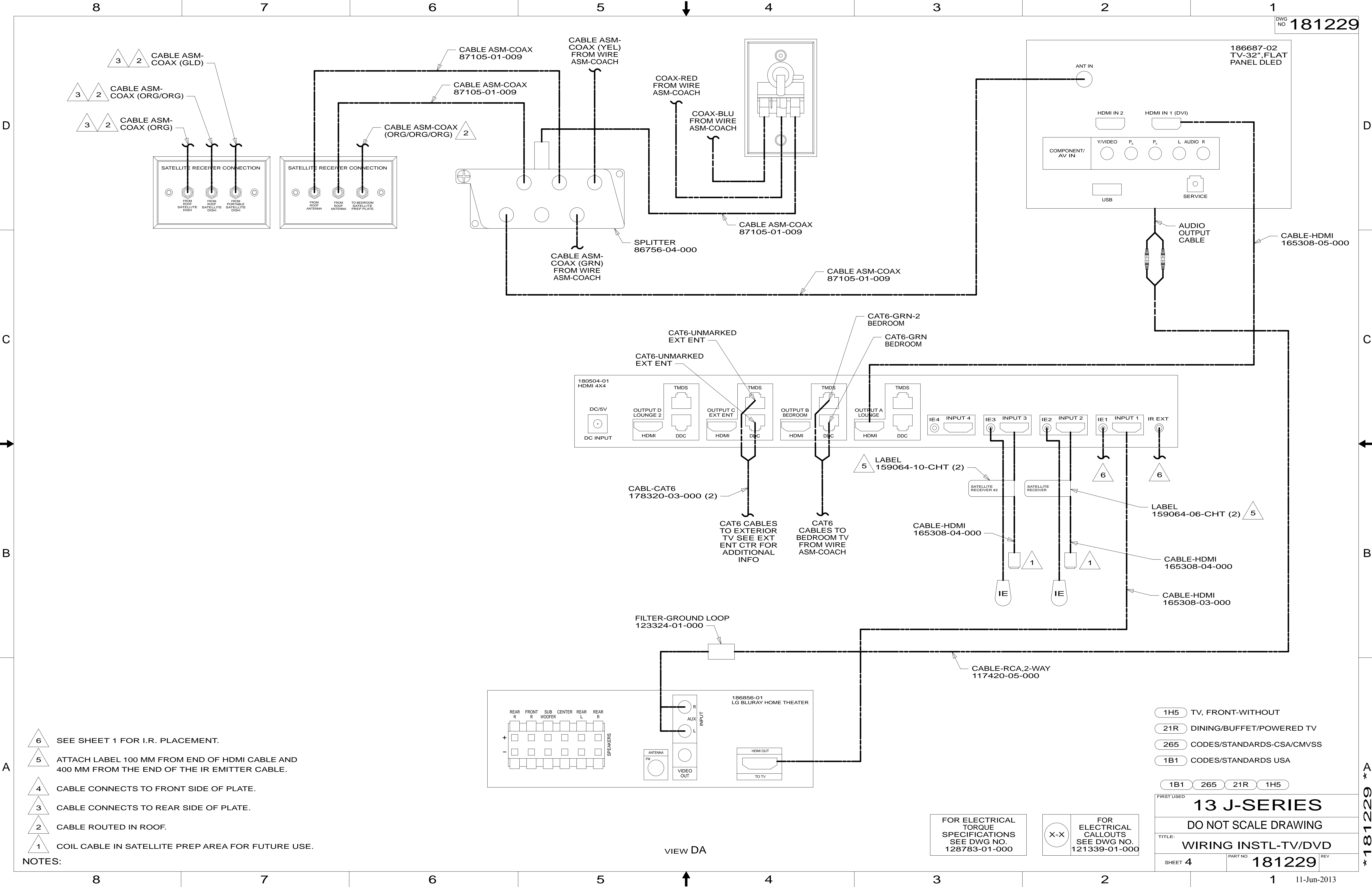
SHEET 3 PART NO. 181229 REV

11-Jun-2013

FOR ELECTRICAL TORQUE SPECIFICATIONS SEE DWG NO. 128783-01-000

FOR ELECTRICAL CALLOUTS SEE DWG NO. 121339-01-000

* 181229 *



- 6 SEE SHEET 1 FOR I.R. PLACEMENT.
- 5 ATTACH LABEL 100 MM FROM END OF HDMI CABLE AND 400 MM FROM THE END OF THE IR EMITTER CABLE.
- 4 CABLE CONNECTS TO FRONT SIDE OF PLATE.
- 3 CABLE CONNECTS TO REAR SIDE OF PLATE.
- 2 CABLE ROUTED IN ROOF.
- 1 COIL CABLE IN SATELLITE PREP AREA FOR FUTURE USE.

NOTES:

VIEW DA

FOR ELECTRICAL TORQUE SPECIFICATIONS SEE DWG NO. 128783-01-000

FOR ELECTRICAL CALLOUTS SEE DWG NO. 121339-01-000

- 1H5 TV, FRONT-WITHOUT
- 21R DINING/BUFFET/POWERED TV
- 265 CODES/STANDARDS-CSA/CMVSS
- 1B1 CODES/STANDARDS USA

1B1 265 21R 1H5

FIRST USED

13 J-SERIES

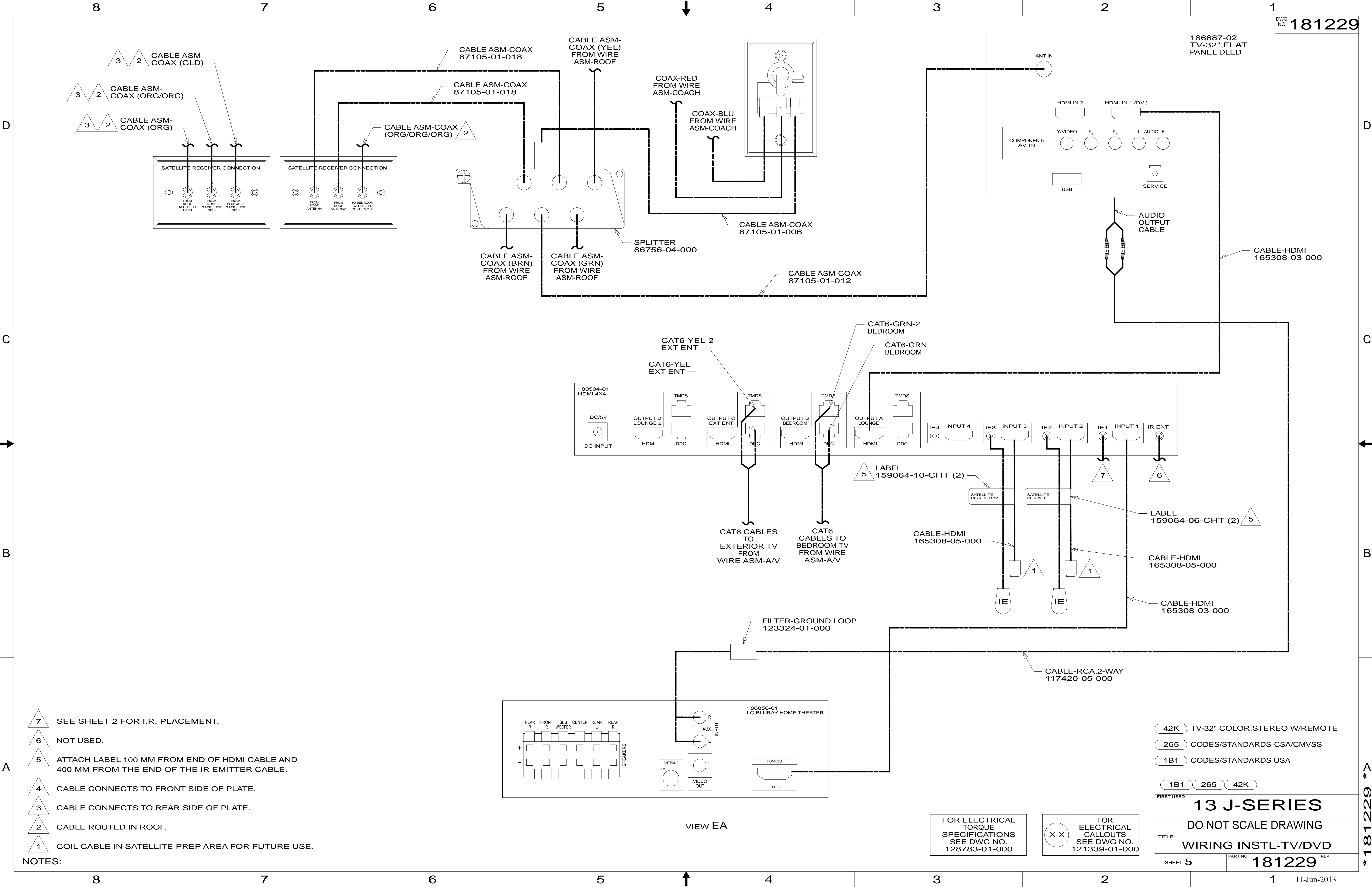
DO NOT SCALE DRAWING

TITLE: WIRING INSTL-TV/DVD

SHEET 4 PART NO. 181229 REV

11-Jun-2013

* 181229 *



- NOTES:
- 7 SEE SHEET 2 FOR I.R. PLACEMENT.
 - 6 NOT USED.
 - 5 ATTACH LABEL 100 MM FROM END OF HDMI CABLE AND 400 MM FROM THE END OF THE IR EMITTER CABLE.
 - 4 CABLE CONNECTS TO FRONT SIDE OF PLATE.
 - 3 CABLE CONNECTS TO REAR SIDE OF PLATE.
 - 2 CABLE ROUTED IN ROOF.
 - 1 COIL CABLE IN SATELLITE PREP AREA FOR FUTURE USE.

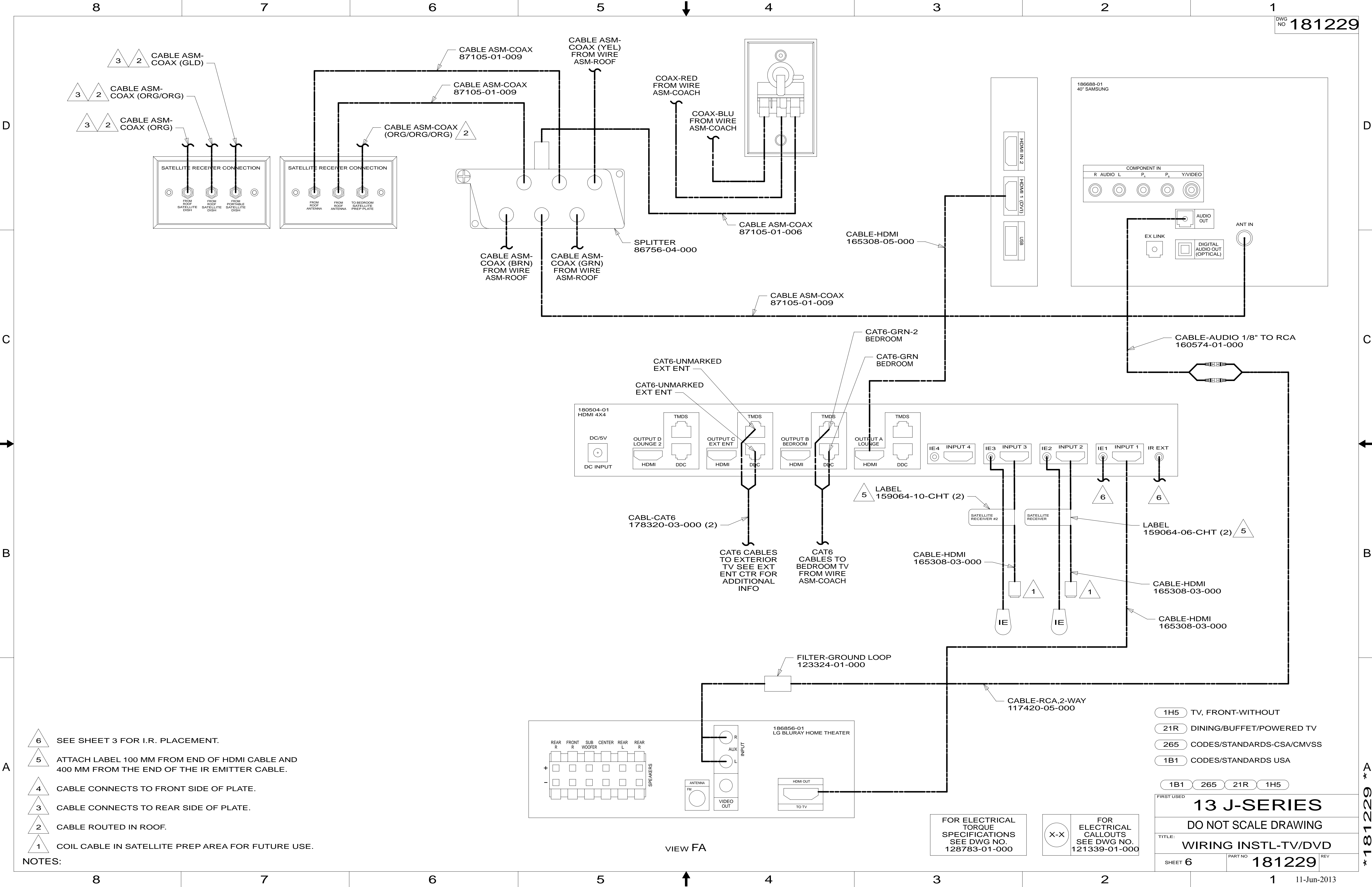
FOR ELECTRICAL TORQUE SPECIFICATIONS SEE DWG NO. 128783-01-000

FOR ELECTRICAL CALLOUTS SEE DWG NO. 121339-01-000

- 42K TV-32" COLOR, STEREO W/REMOTE
- 265 CODES/STANDARDS-CSA/CMVSS
- 1B1 CODES/STANDARDS USA

FIRST USED	
13 J-SERIES	
DO NOT SCALE DRAWING	
TITLE: WIRING INSTL-TV/DVD	
SHEET 5	PART NO 181229 REV

* 181229 *



- NOTES:
- 6 SEE SHEET 3 FOR I.R. PLACEMENT.
 - 5 ATTACH LABEL 100 MM FROM END OF HDMI CABLE AND 400 MM FROM THE END OF THE IR EMITTER CABLE.
 - 4 CABLE CONNECTS TO FRONT SIDE OF PLATE.
 - 3 CABLE CONNECTS TO REAR SIDE OF PLATE.
 - 2 CABLE ROUTED IN ROOF.
 - 1 COIL CABLE IN SATELLITE PREP AREA FOR FUTURE USE.

FOR ELECTRICAL TORQUE SPECIFICATIONS SEE DWG NO. 128783-01-000

FOR ELECTRICAL CALLOUTS SEE DWG NO. 121339-01-000

- 1H5 TV, FRONT-WITHOUT
- 21R DINING/BUFFET/POWERED TV
- 265 CODES/STANDARDS-CSA/CMVSS
- 1B1 CODES/STANDARDS USA

1B1 265 21R 1H5

FIRST USED

13 J-SERIES

DO NOT SCALE DRAWING

TITLE: WIRING INSTL-TV/DVD

SHEET 6 PART NO 181229 REV

11-Jun-2013

* 181229 *

8

7

6

5

4

3

2

1

D

D

C

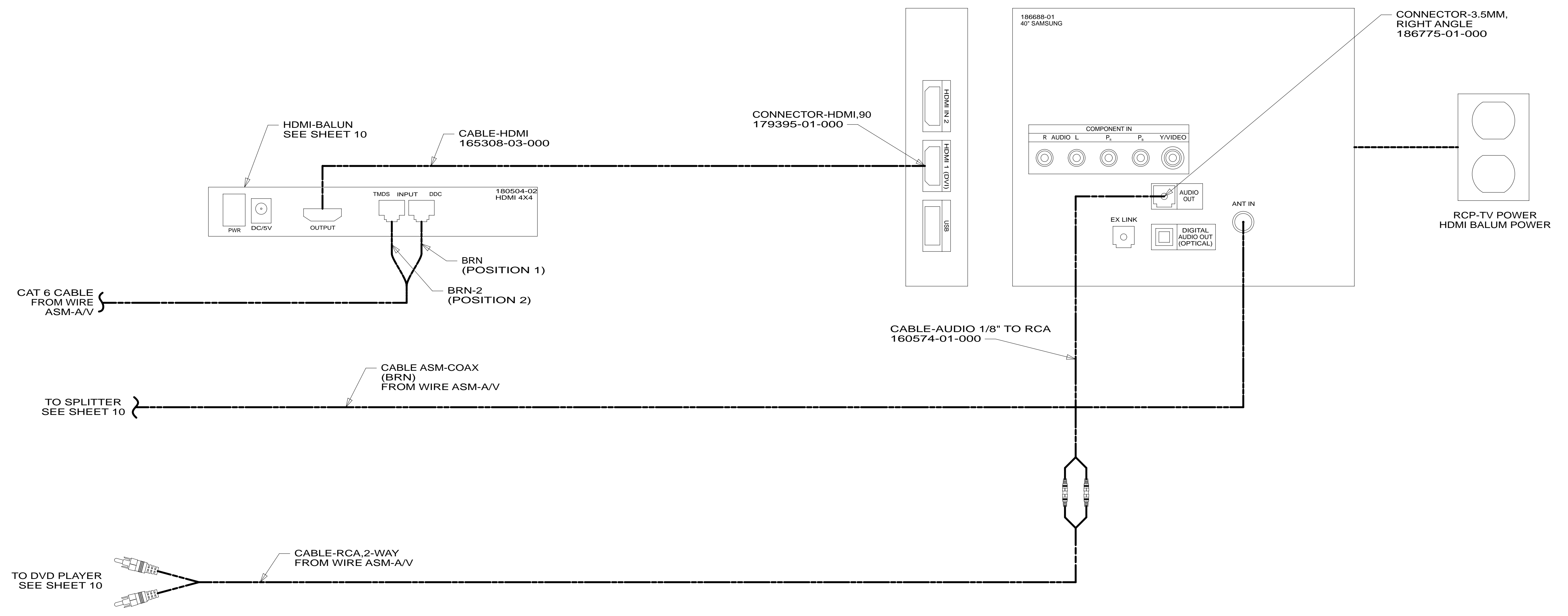
C

B

B

A

A



VIEW GA

- 21R DINING/BUFFET/POWERED TV
- 265 CODES/STANDARDS-CSA/CMVSS
- 1B1 CODES/STANDARDS USA

1B1 265 21R

13 J-SERIES

DO NOT SCALE DRAWING

TITLE: **WIRING INSTL-TV/DVD**

SHEET 7 PART NO **181229** REV

FOR ELECTRICAL TORQUE SPECIFICATIONS SEE DWG NO. 128783-01-000

FOR ELECTRICAL CALLOUTS SEE DWG NO. 121339-01-000

* 181229 * A

8

7

6

5

4

3

2

1

8 7 6 5 4 3 2 1

D

D

C

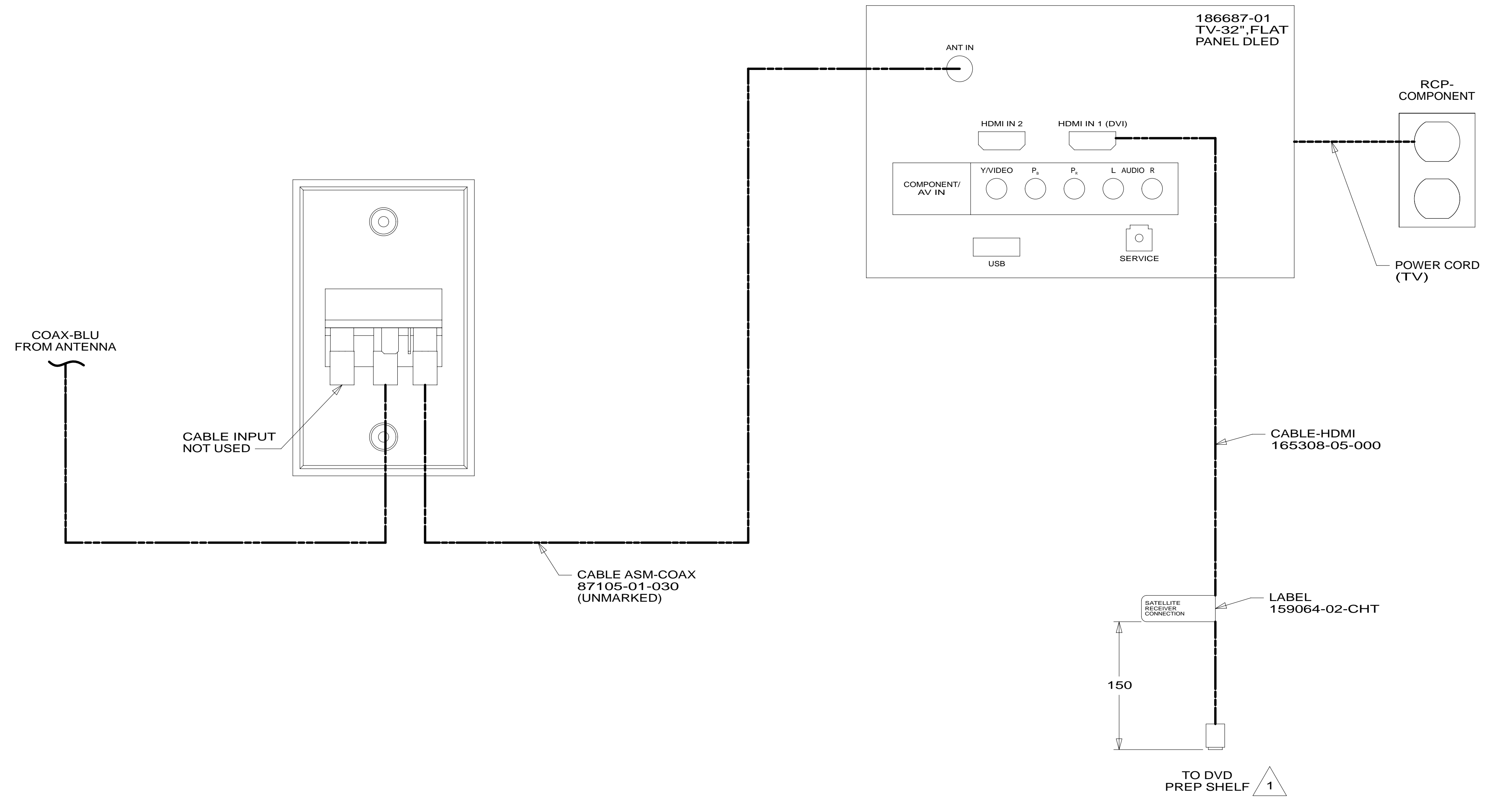
C

B

B

A

A



DETAIL HA

- 42K TV-32" COLOR,STEREO W/REMOTE
- 265 CODES/STANDARDS-CSA/CMVSS
- 1B1 CODES/STANDARDS USA

1B1	265	42K
FIRST USED		
13 J-SERIES		
DO NOT SCALE DRAWING		
TITLE: WIRING INSTL-TV/DVD		
SHEET 8	PART NO 181229	REV

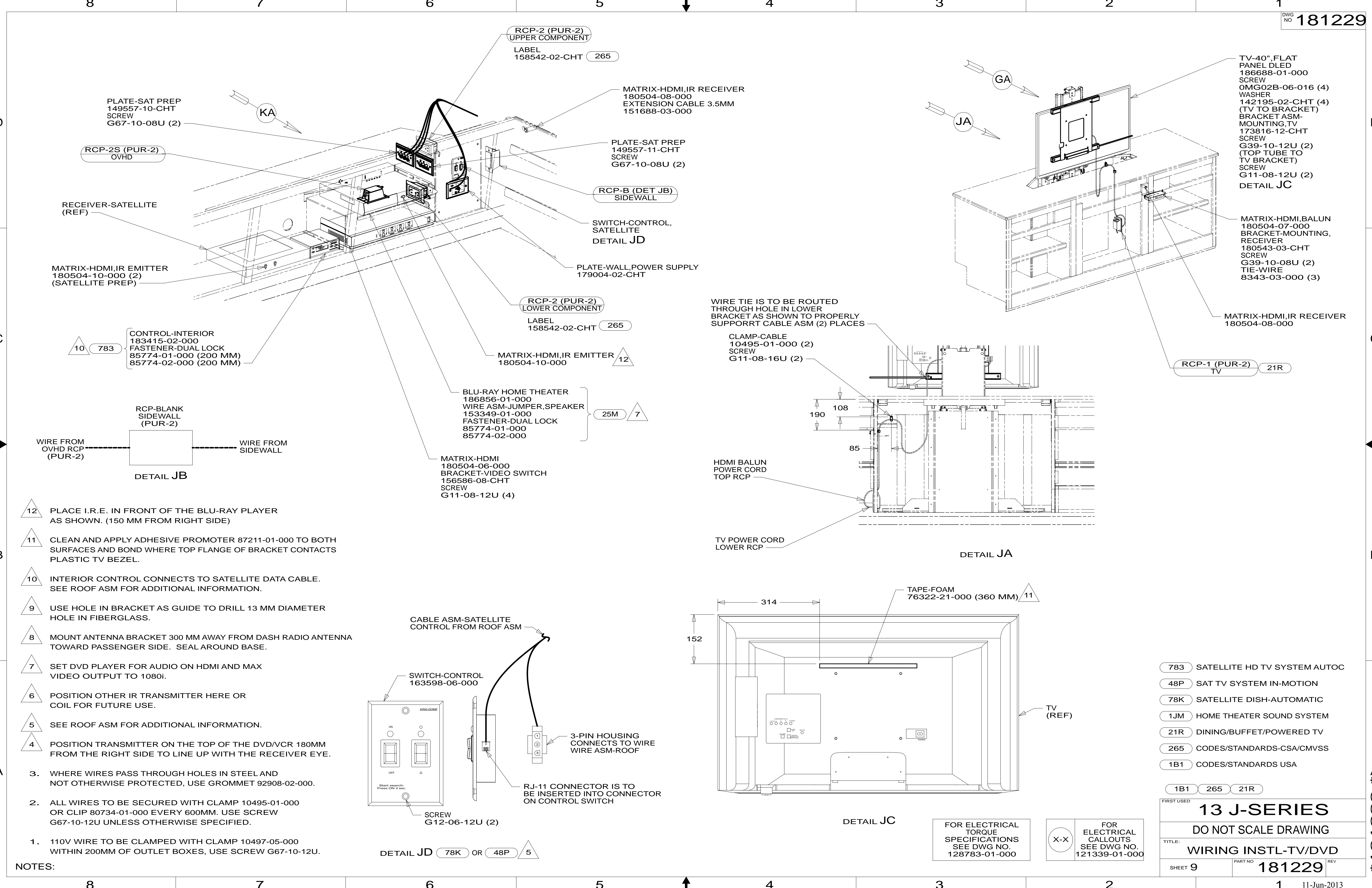
1 ROUTE CABLE TO LEFT OVHD CABINET AND COIL EXCESS NEXT TO SATELLITE PREP PLATE.

FOR ELECTRICAL TORQUE SPECIFICATIONS SEE DWG NO. 128783-01-000

FOR ELECTRICAL CALLOUTS SEE DWG NO. 121339-01-000

8 7 6 5 4 3 2 1

* 181229 * A



- NOTES:**
1. 110V WIRE TO BE CLAMPED WITH CLAMP 10497-05-000 WITHIN 200MM OF OUTLET BOXES, USE SCREW G67-10-12U.
 2. ALL WIRES TO BE SECURED WITH CLAMP 10495-01-000 OR CLIP 80734-01-000 EVERY 600MM. USE SCREW G67-10-12U UNLESS OTHERWISE SPECIFIED.
 3. WHERE WIRES PASS THROUGH HOLES IN STEEL AND NOT OTHERWISE PROTECTED, USE GROMMET 92908-02-000.
 4. POSITION TRANSMITTER ON THE TOP OF THE DVD/VCR 180MM FROM THE RIGHT SIDE TO LINE UP WITH THE RECEIVER EYE.
 5. SEE ROOF ASM FOR ADDITIONAL INFORMATION.
 6. POSITION OTHER IR TRANSMITTER HERE OR COIL FOR FUTURE USE.
 7. SET DVD PLAYER FOR AUDIO ON HDMI AND MAX VIDEO OUTPUT TO 1080i.
 8. MOUNT ANTENNA BRACKET 300 MM AWAY FROM DASH RADIO ANTENNA TOWARD PASSENGER SIDE. SEAL AROUND BASE.
 9. USE HOLE IN BRACKET AS GUIDE TO DRILL 13 MM DIAMETER HOLE IN FIBERGLASS.
 10. INTERIOR CONTROL CONNECTS TO SATELLITE DATA CABLE. SEE ROOF ASM FOR ADDITIONAL INFORMATION.
 11. CLEAN AND APPLY ADHESIVE PROMOTER 87211-01-000 TO BOTH SURFACES AND BOND WHERE TOP FLANGE OF BRACKET CONTACTS PLASTIC TV BEZEL.
 12. PLACE I.R.E. IN FRONT OF THE BLU-RAY PLAYER AS SHOWN. (150 MM FROM RIGHT SIDE)

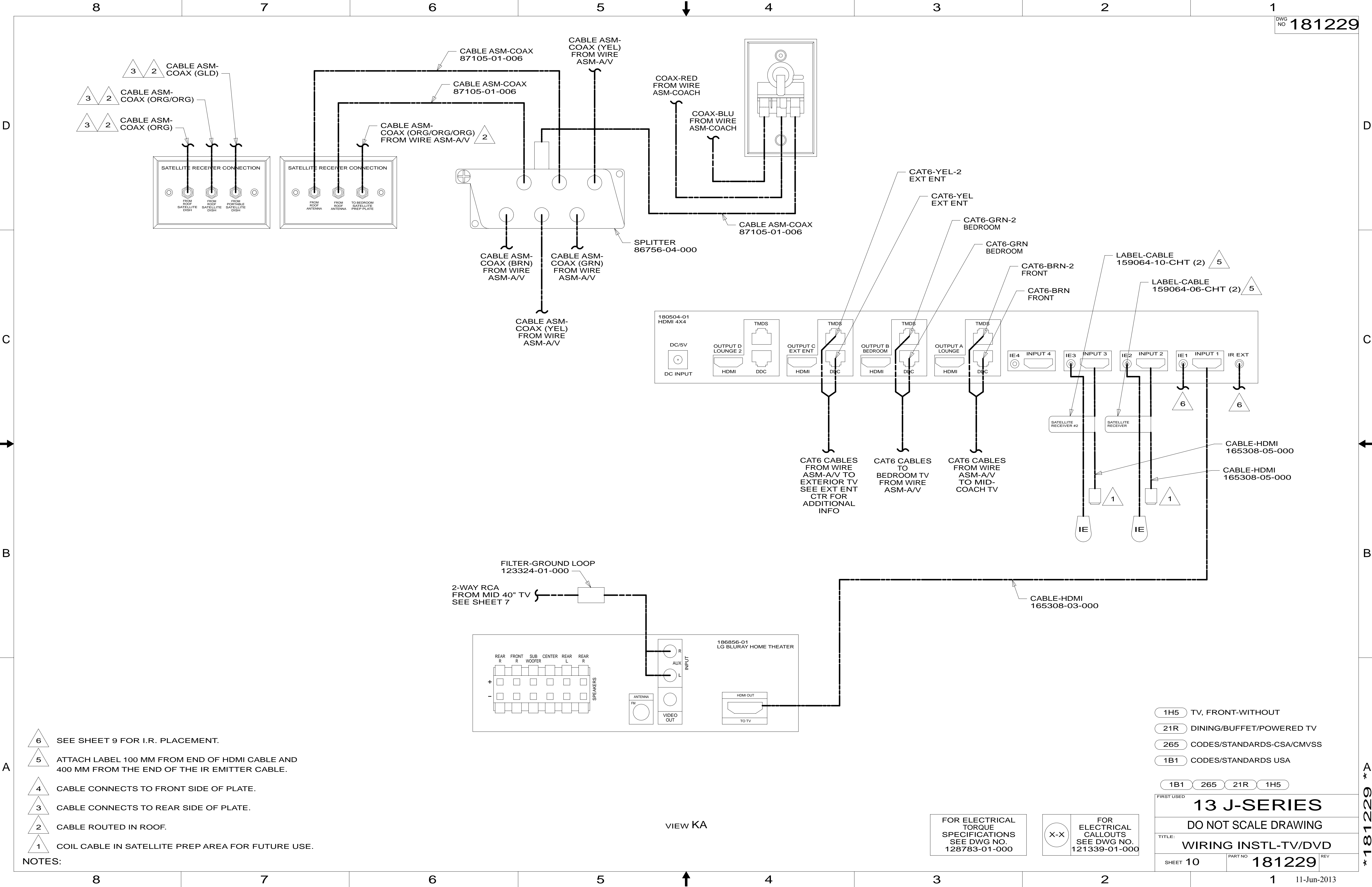
- 783 SATELLITE HD TV SYSTEM AUTOC
- 48P SAT TV SYSTEM IN-MOTION
- 78K SATELLITE DISH-AUTOMATIC
- 1JM HOME THEATER SOUND SYSTEM
- 21R DINING/BUFFET/POWERED TV
- 265 CODES/STANDARDS-CSA/CMVSS
- 1B1 CODES/STANDARDS USA

1B1	265	21R
FIRST USED		
13 J-SERIES		
DO NOT SCALE DRAWING		
TITLE: WIRING INSTL-TV/DVD		
SHEET 9	PART NO 181229	REV
11-Jun-2013		

FOR ELECTRICAL TORQUE SPECIFICATIONS SEE DWG NO. 128783-01-000

FOR ELECTRICAL CALLOUTS SEE DWG NO. 121339-01-000

* 181229 * A



- 6 SEE SHEET 9 FOR I.R. PLACEMENT.
- 5 ATTACH LABEL 100 MM FROM END OF HDMI CABLE AND 400 MM FROM THE END OF THE IR EMITTER CABLE.
- 4 CABLE CONNECTS TO FRONT SIDE OF PLATE.
- 3 CABLE CONNECTS TO REAR SIDE OF PLATE.
- 2 CABLE ROUTED IN ROOF.
- 1 COIL CABLE IN SATELLITE PREP AREA FOR FUTURE USE.

NOTES:

VIEW KA

FOR ELECTRICAL TORQUE SPECIFICATIONS SEE DWG NO. 128783-01-000

FOR ELECTRICAL CALLOUTS SEE DWG NO. 121339-01-000

- 1H5 TV, FRONT-WITHOUT
- 21R DINING/BUFFET/POWERED TV
- 265 CODES/STANDARDS-CSA/CMVSS
- 1B1 CODES/STANDARDS USA

1B1 265 21R 1H5

FIRST USED

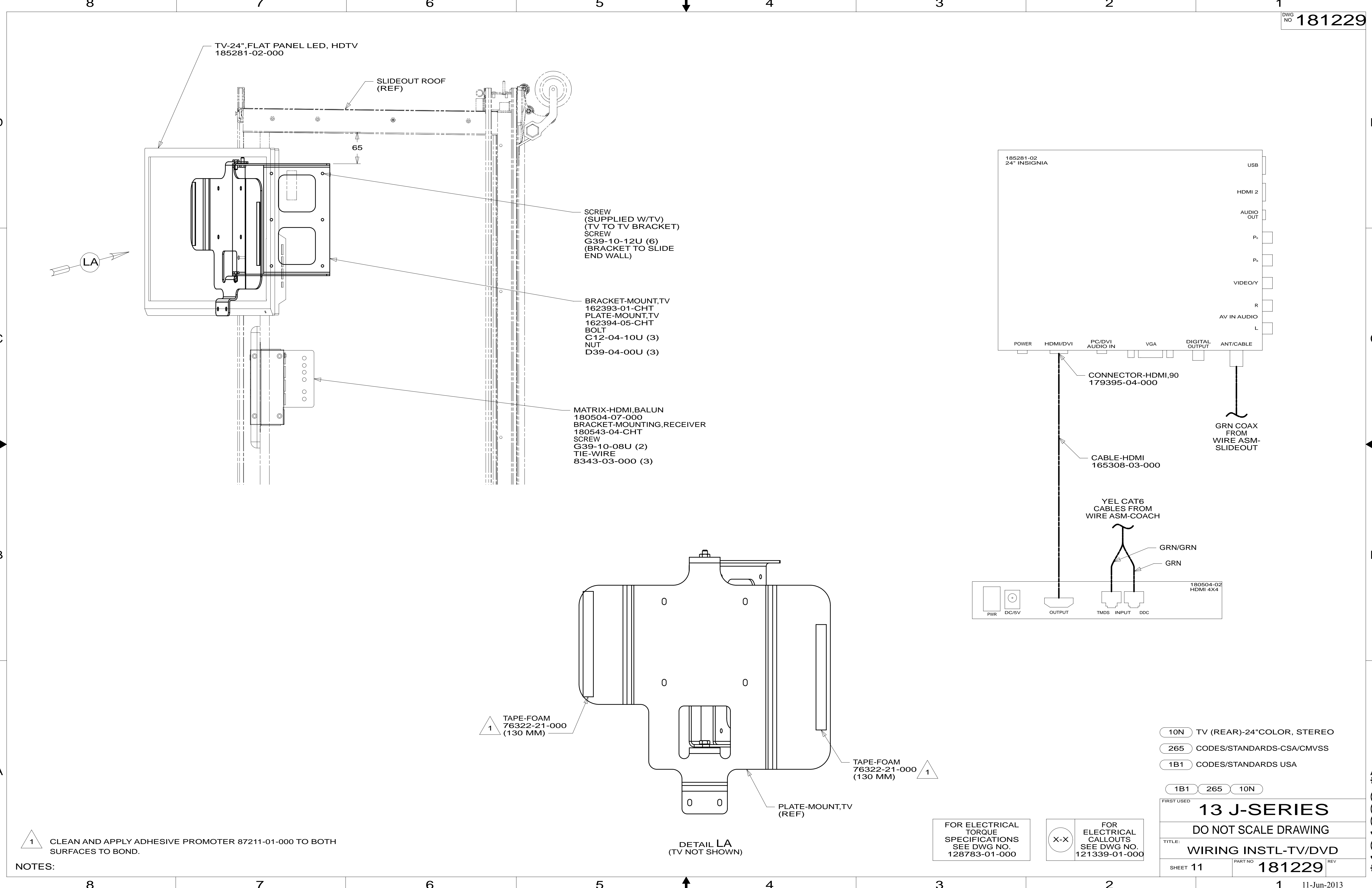
13 J-SERIES

DO NOT SCALE DRAWING

TITLE: **WIRING INSTL-TV/DVD**

SHEET 10 PART NO **181229** REV

* 181229 *



TV-24", FLAT PANEL LED, HDTV
185281-02-000

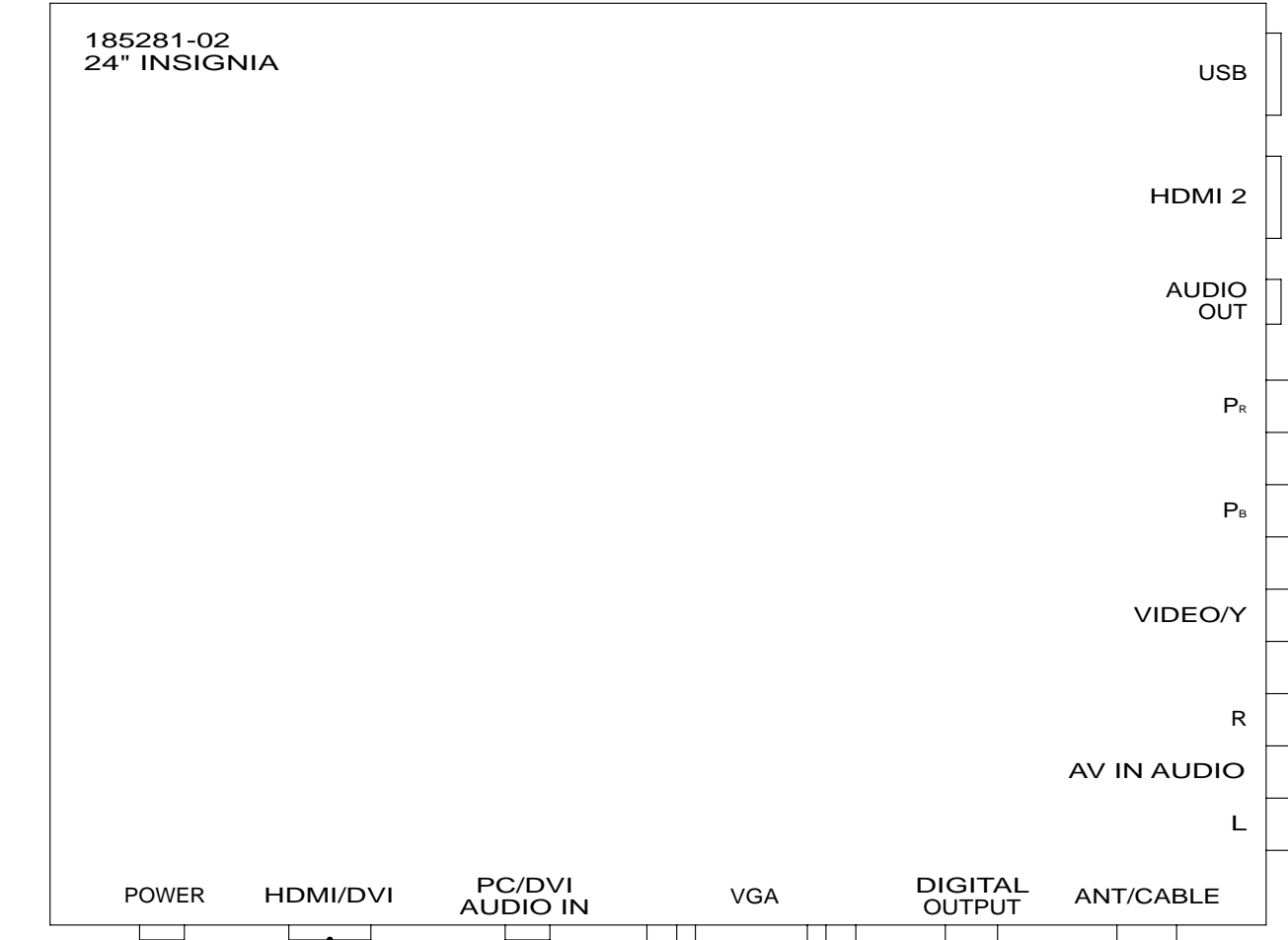
SLIDEOUT ROOF
(REF)

65

SCREW
(SUPPLIED W/TV)
(TV TO TV BRACKET)
SCREW
G39-10-12U (6)
(BRACKET TO SLIDE
END WALL)

BRACKET-MOUNT,TV
162393-01-CHT
PLATE-MOUNT,TV
162394-05-CHT
BOLT
C12-04-10U (3)
NUT
D39-04-00U (3)

MATRIX-HDMI,BALUN
180504-07-000
BRACKET-MOUNTING,RECEIVER
180543-04-CHT
SCREW
G39-10-08U (2)
TIE-WIRE
8343-03-000 (3)



CONNECTOR-HDMI,90
179395-04-000

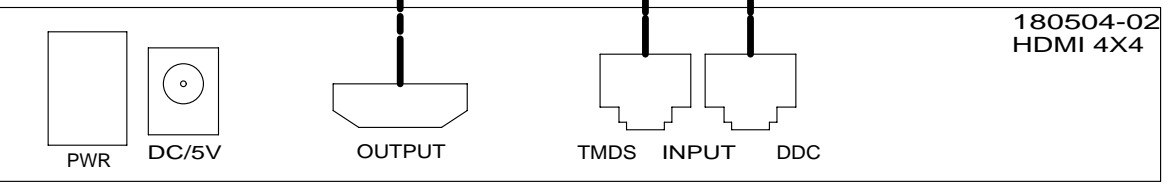
CABLE-HDMI
165308-03-000

YEL CAT6
CABLES FROM
WIRE ASM-COACH

GRN/GRN

GRN

180504-02
HDMI 4X4



1 TAPE-FOAM
76322-21-000
(130 MM)

1 TAPE-FOAM
76322-21-000
(130 MM)

PLATE-MOUNT,TV
(REF)

DETAIL LA
(TV NOT SHOWN)

1 CLEAN AND APPLY ADHESIVE PROMOTER 87211-01-000 TO BOTH SURFACES TO BOND.

FOR ELECTRICAL TORQUE SPECIFICATIONS SEE DWG NO. 128783-01-000

X-X FOR ELECTRICAL CALLOUTS SEE DWG NO. 121339-01-000

- 10N TV (REAR)-24"COLOR, STEREO
- 265 CODES/STANDARDS-CSA/CMVSS
- 1B1 CODES/STANDARDS USA

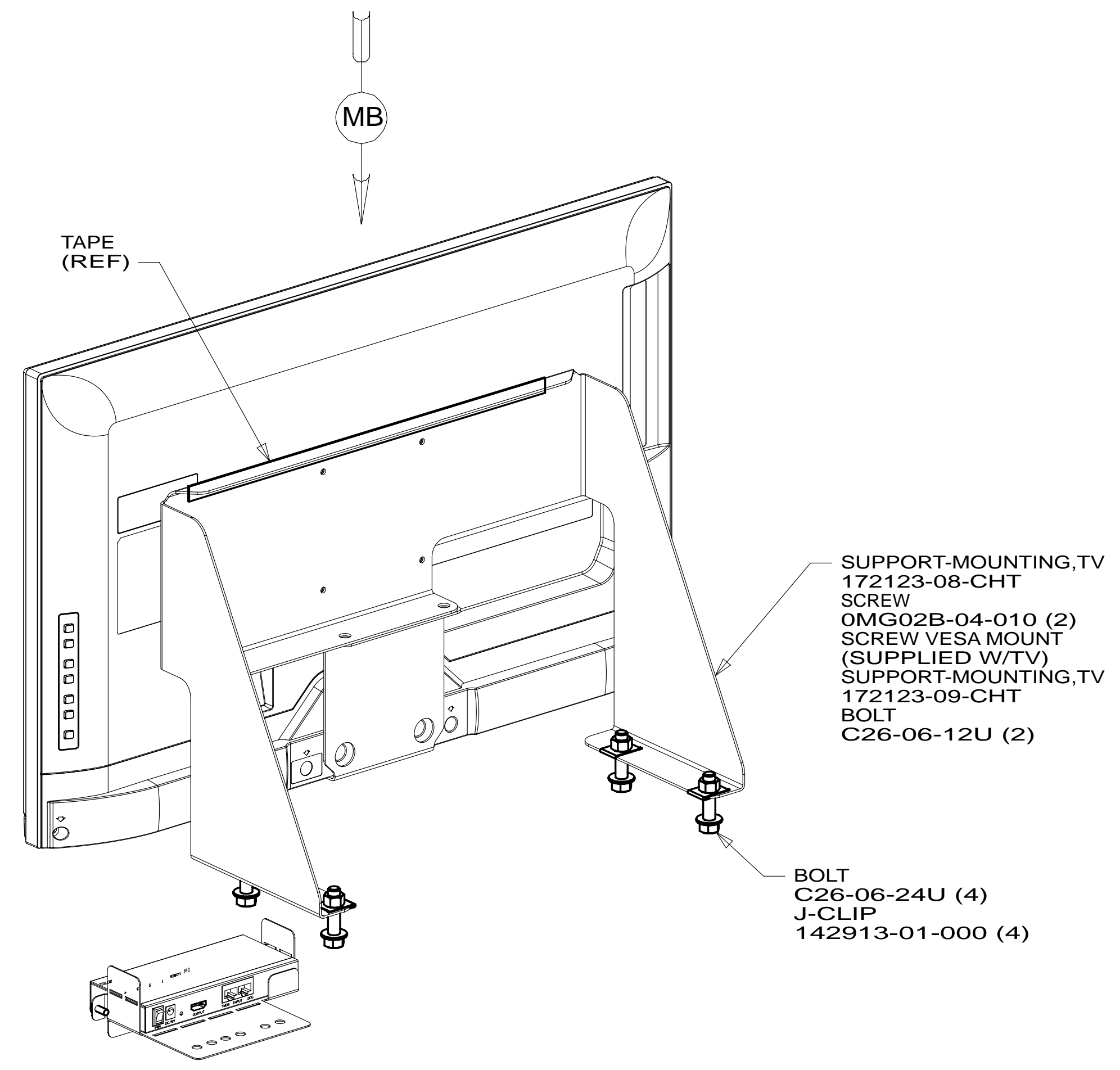
1B1 265 10N

13 J-SERIES

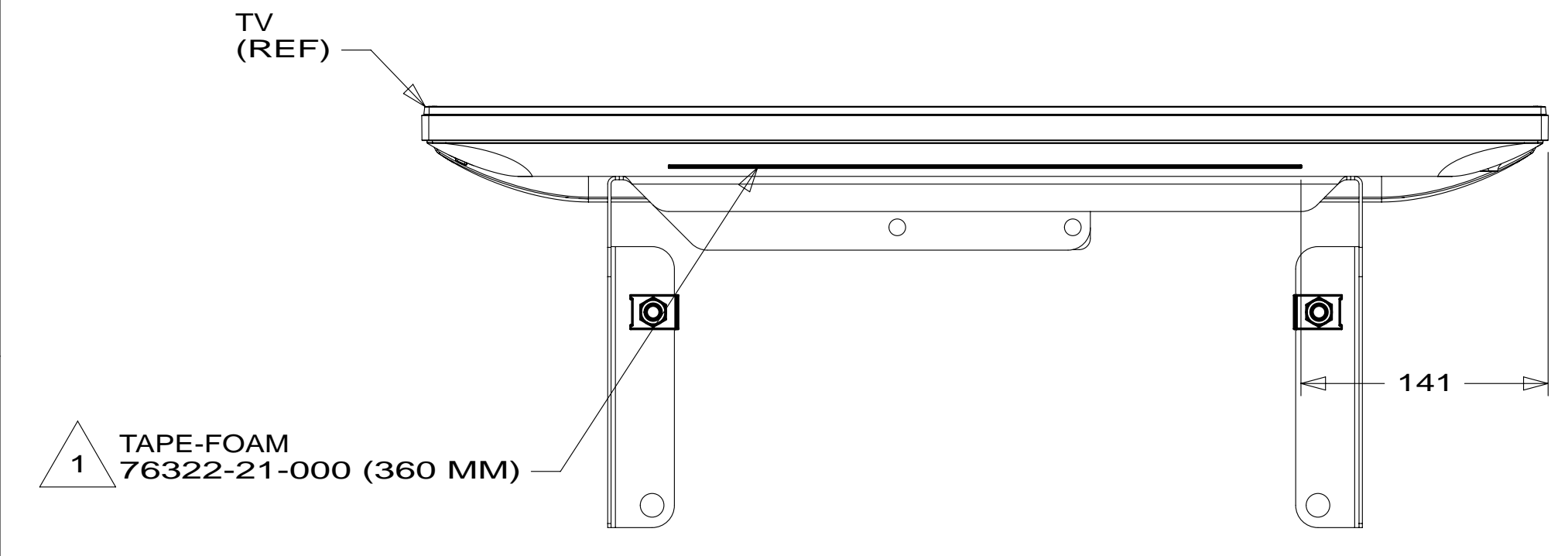
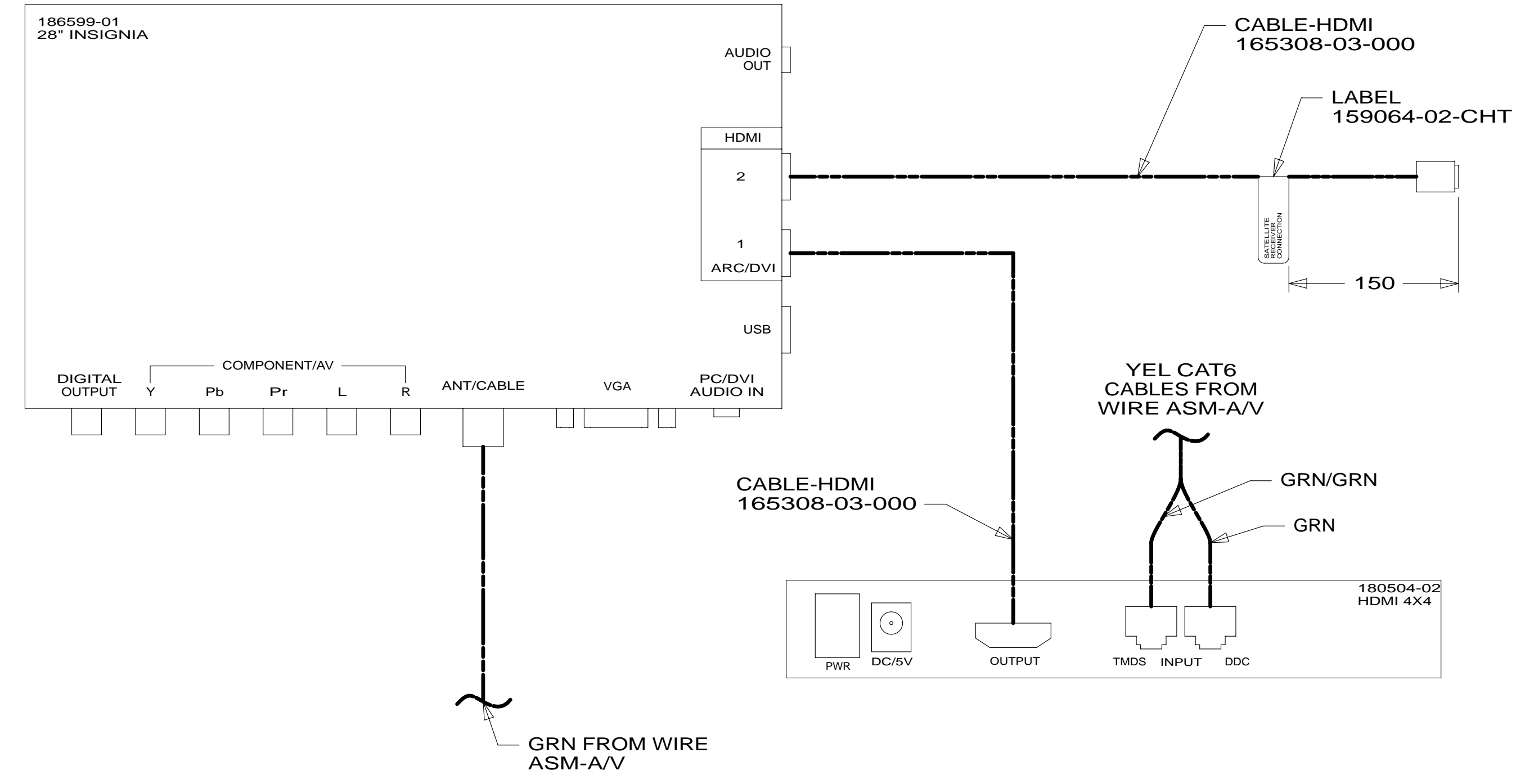
DO NOT SCALE DRAWING

TITLE: **WIRING INSTL-TV/DVD**

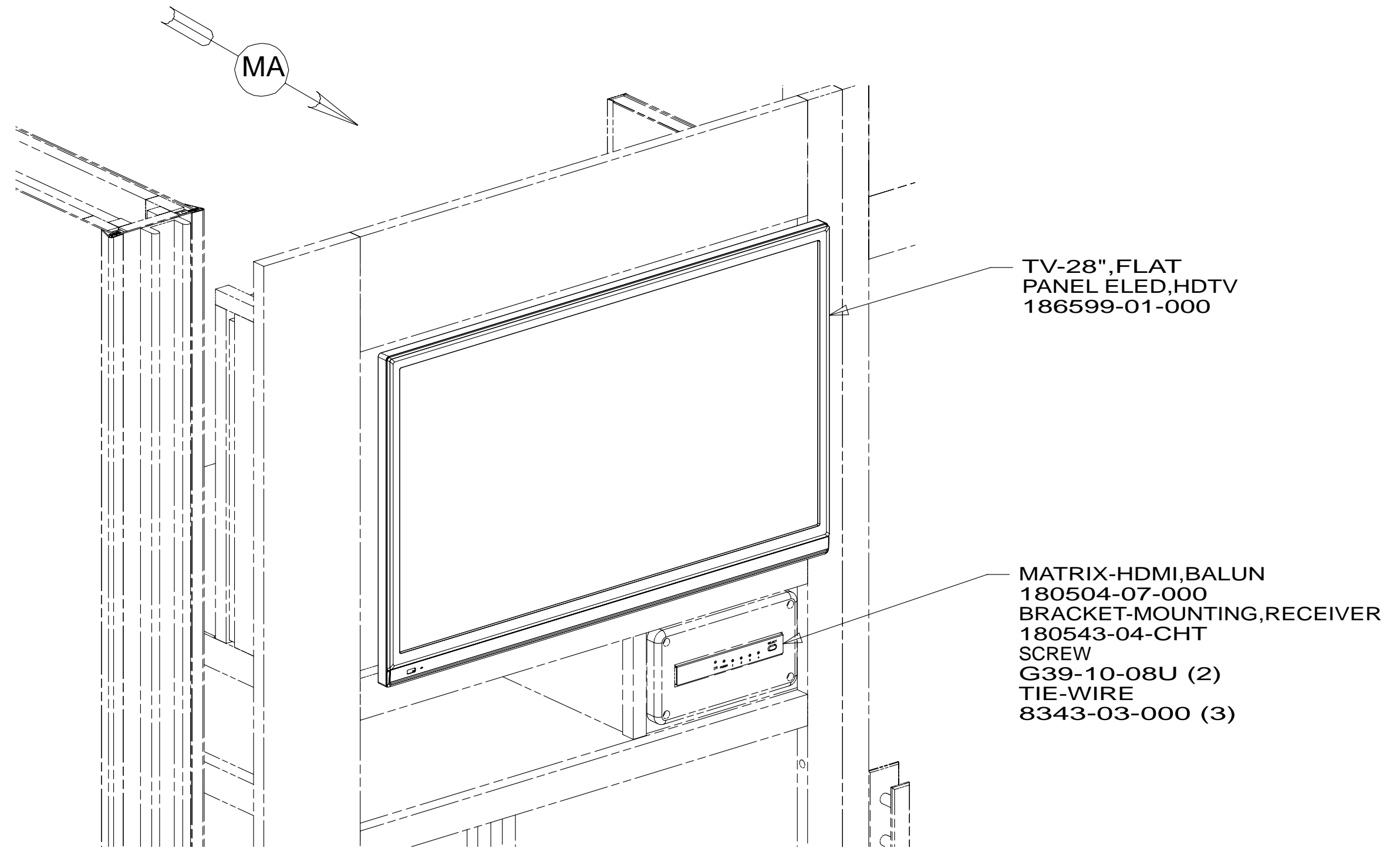
SHEET 11 PART NO **181229** REV



VIEW MA



VIEW MB



1 CLEAN AND APPLY ADHESIVE PROMOTER 87211-01-000 TO BOTH SURFACES AND BOND WHERE TOP FLANGE OF BRACKET CONTACTS PLASTIC TV BEZEL.

NOTES:

FOR ELECTRICAL TORQUE SPECIFICATIONS SEE DWG NO. 128783-01-000

FOR ELECTRICAL CALLOUTS SEE DWG NO. 121339-01-000

265 CODES/STANDARDS-CSA/CMVSS
1B1 CODES/STANDARDS USA

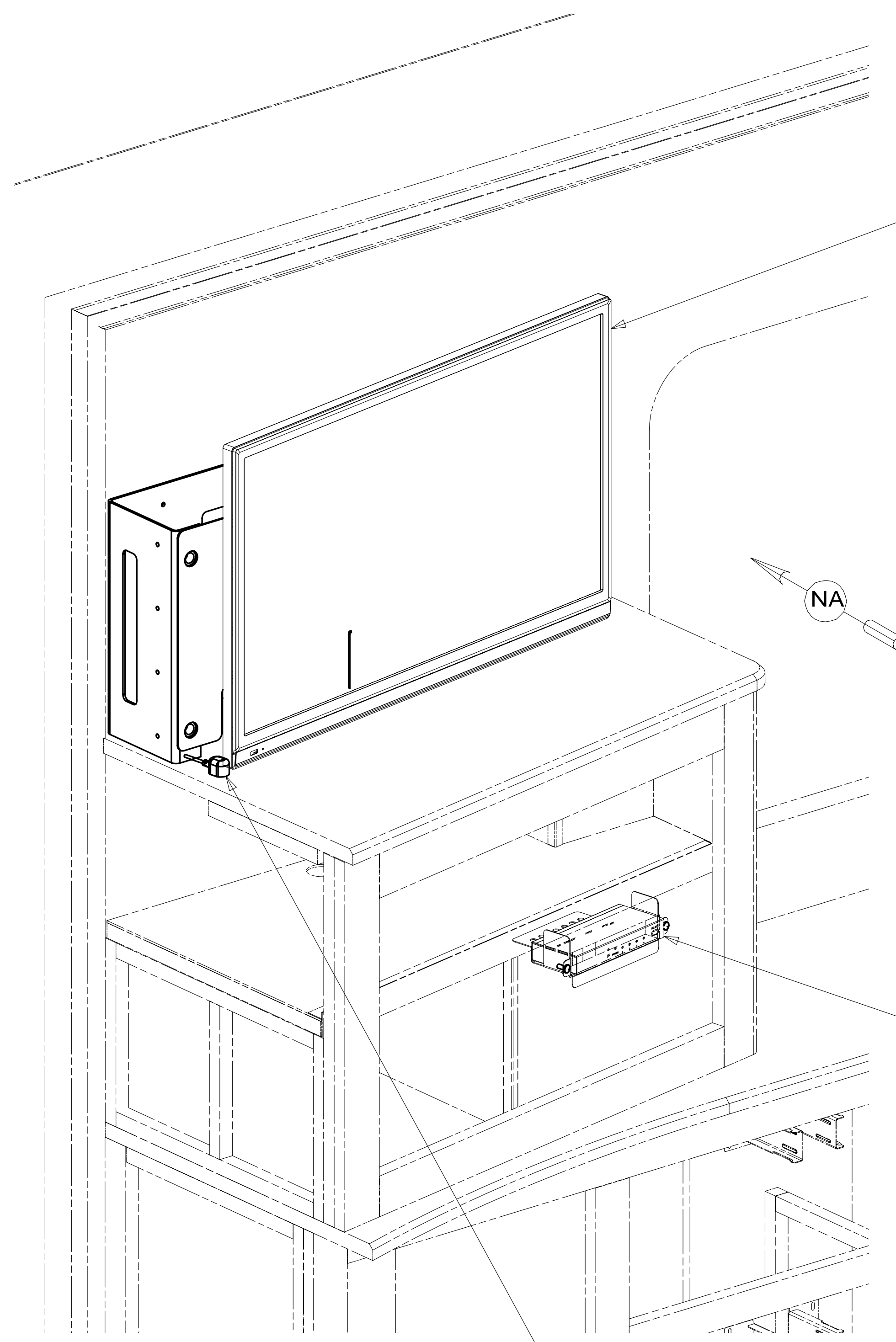
1B1 265

FIRST USED **13 J-SERIES**

DO NOT SCALE DRAWING

TITLE: **WIRING INSTL-TV/DVD**

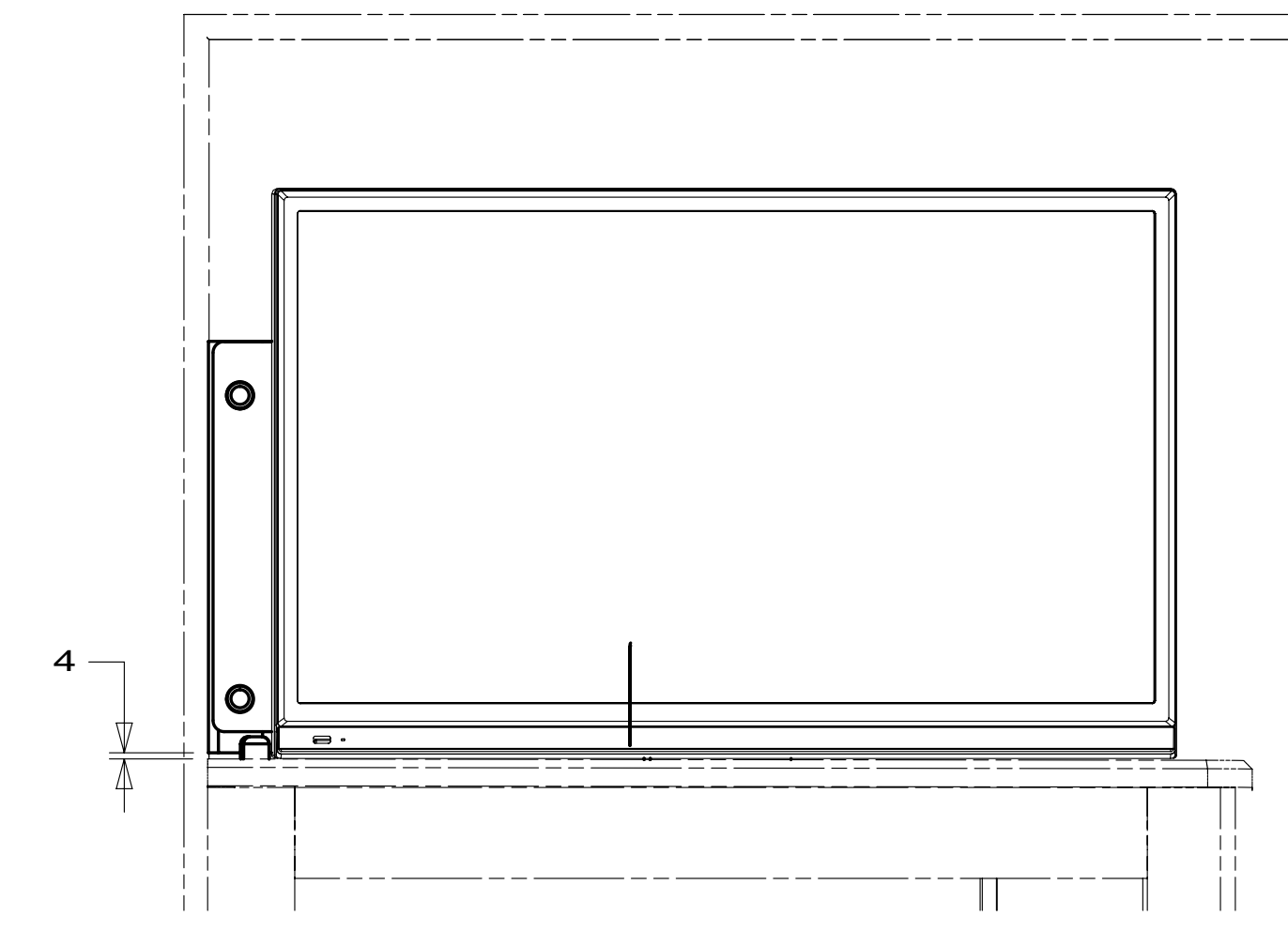
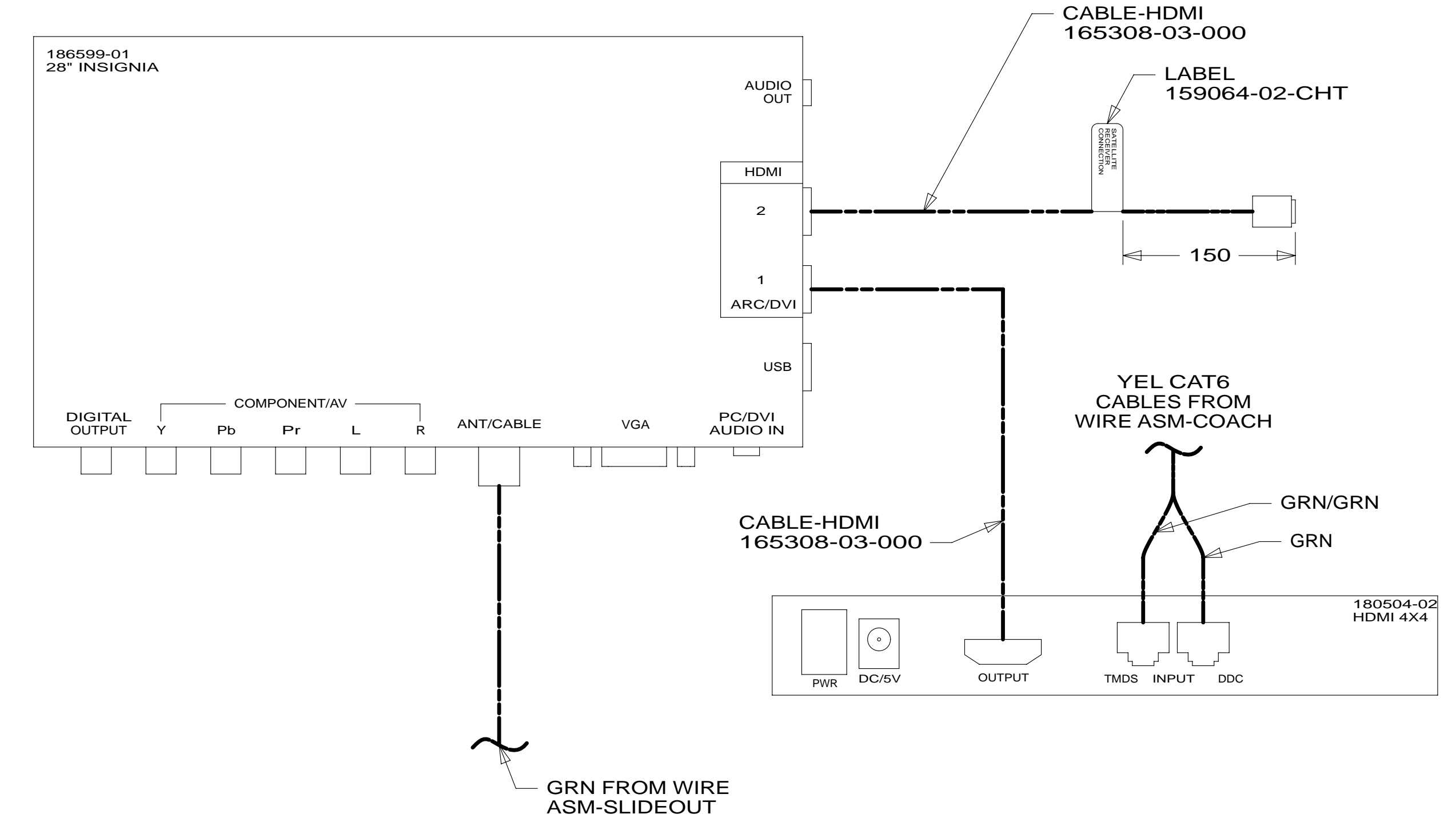
SHEET 12 PART NO **181229** REV



TV-28", FLAT
 PANEL ELED, HDTV
 186599-01-000
 BRACKET ASM-WALL, BDRM
 180054-02-CHT
 SCREW
 G39-10-12U (12)
 BRACKET-TV, BDRM
 180055-03-CHT
 TAPE-DBL FOAM
 76322-22-000 (360 MM)
 (PREP SURFACE)
 BOLT
 C12-08-24B (4)
 SCREW
 0MG02B-06-016 (4)
 SCREW
 G11-07-12U (4)

MATRIX-HDMI, BALUN
 180504-07-000
 BRACKET-MOUNTING, RECEIVER
 180543-01-CHT
 SCREW
 G39-10-08U (2)
 TIE-WIRE
 8343-03-000 (3)

MATRIX-HDMI, IR RECEIVER
 180504-09-000



VIEW NA

NOTES:
 1 MOUNT IR RECEIVER TO COUNTERTOP BEHIND TV FACE.

FOR ELECTRICAL
 TORQUE
 SPECIFICATIONS
 SEE DWG NO.
 128783-01-000

FOR ELECTRICAL
 CALLOUTS
 SEE DWG NO.
 121339-01-000

- 61K TV(REAR)-26" COLOR STEREO
- 265 CODES/STANDARDS-CSA/CMVSS
- 1B1 CODES/STANDARDS USA

1B1	265	61K
13 J-SERIES		
DO NOT SCALE DRAWING		
TITLE: WIRING INSTL-TV/DVD		
SHEET 13	PART NO 181229	REV

* 181229 * A