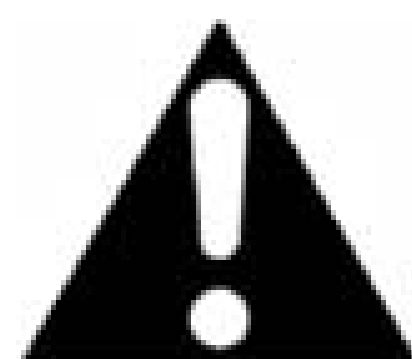




DANGER

Danger of electrical shock, burns or death. Always remove all power sources before attempting any repair, service or diagnostic work. Power can be present from shore power, generator, inverter or battery. All power sources must be disabled and secured before performing any service.



CAUTION

If you lack the skills, tools or equipment to perform diagnostic or repair work leave such work to an authorized Winnebago Industries dealer or other qualified shop.

DRAWING NO.	FEATURE
181088-12	1B1 78J
181088-16	265 78J

RELEASE	REV DATE A	DWG NO 181088
REV ZONE	REVISION RECORD	DATE DFR-ORIG

D

C

B

A

8

7

6

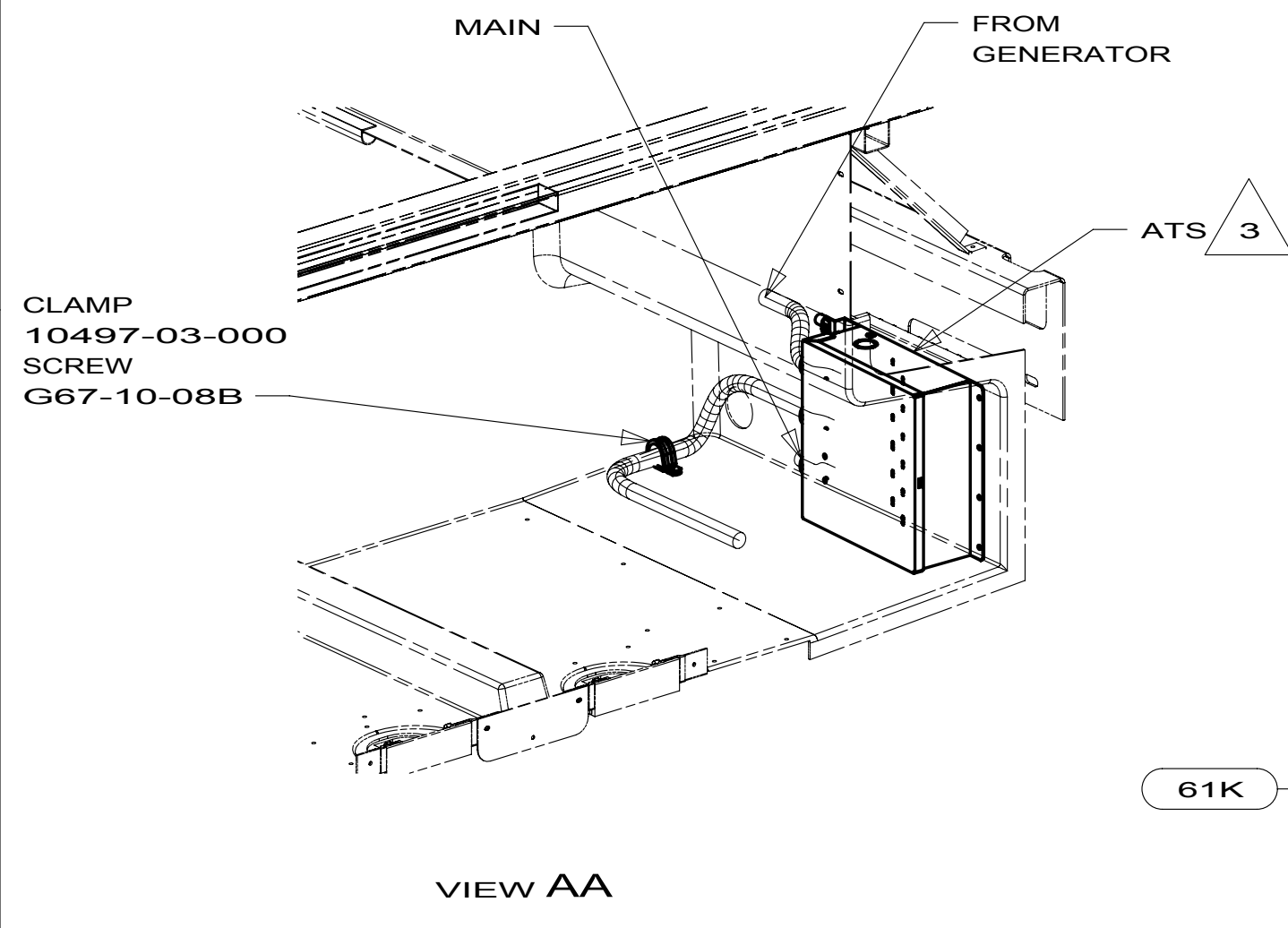
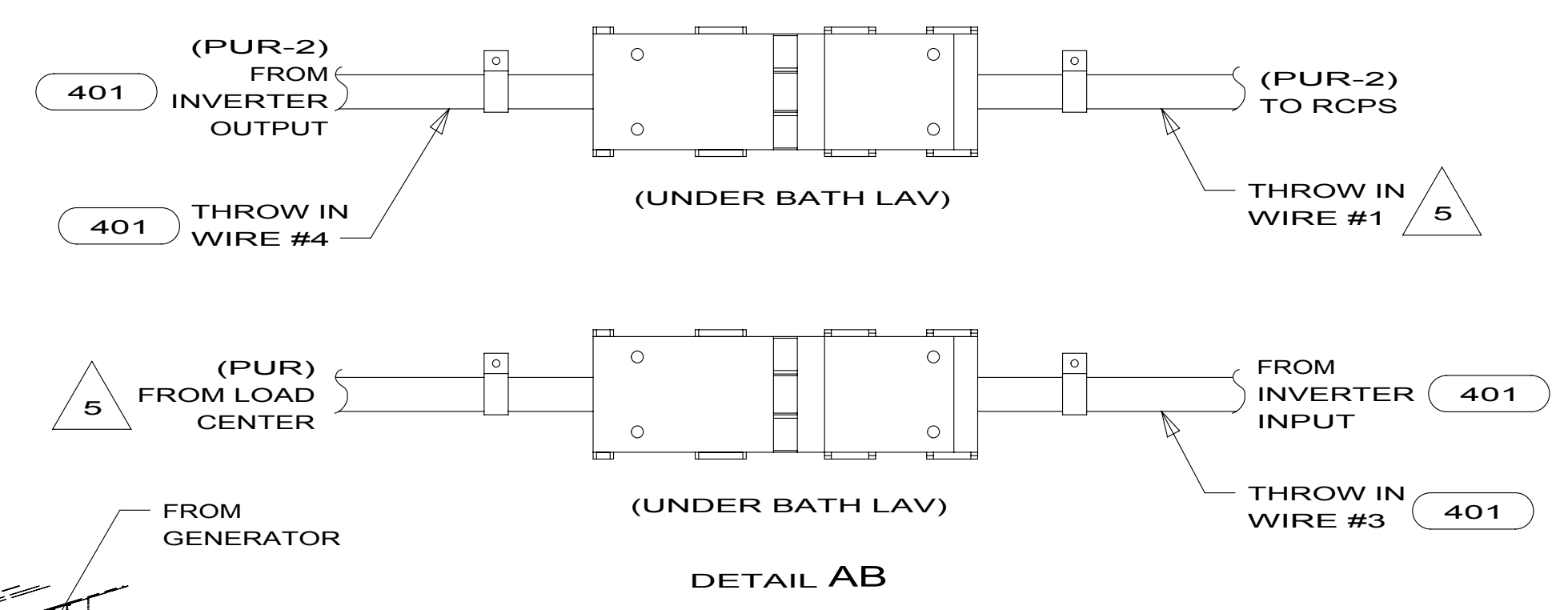
5

4

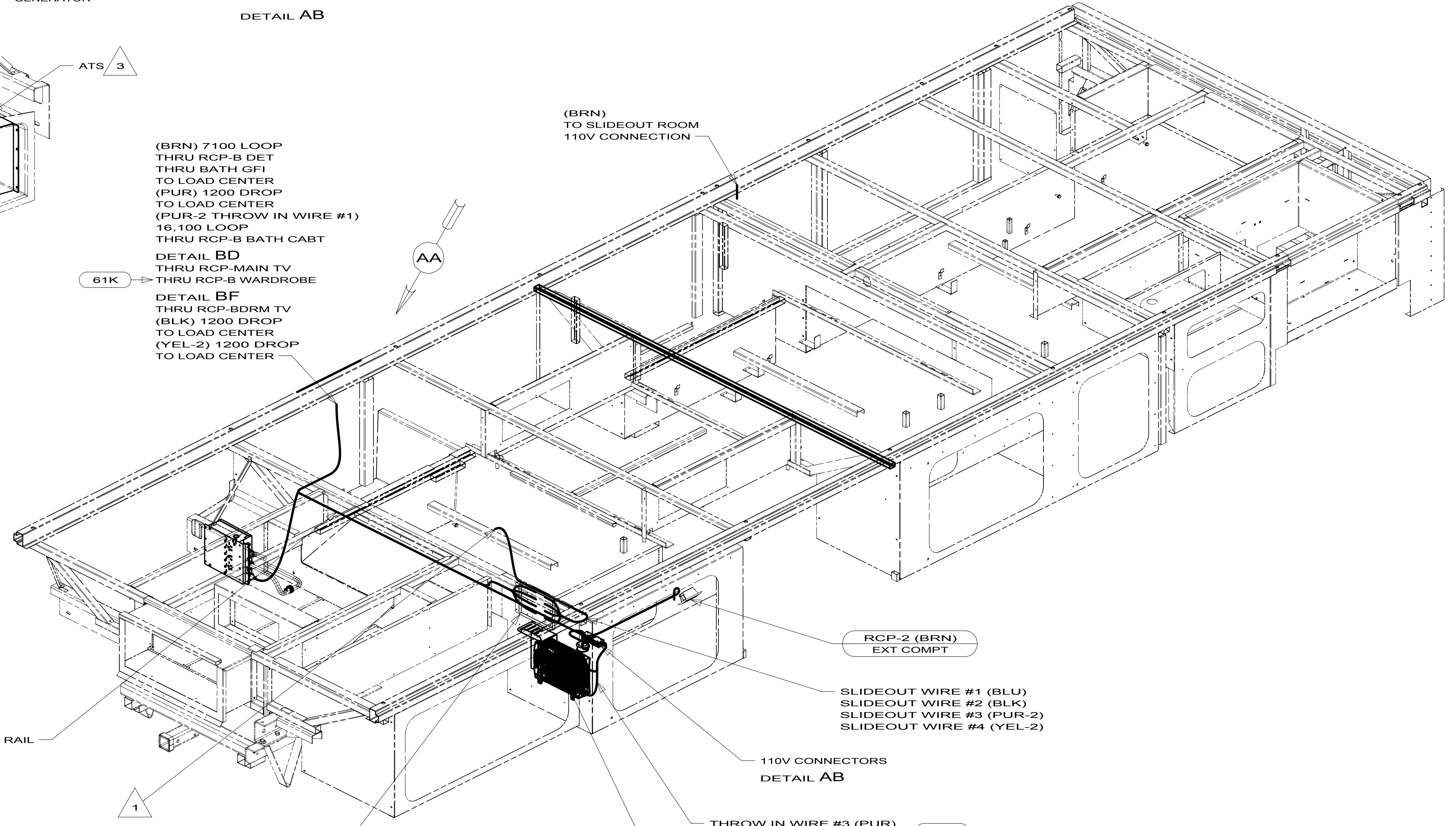
3

2

1



(BRN) 7100 LOOP
THRU RCP-B DET
THRU BATH GFI
TO LOAD CENTER
(PUR) 1200 DROP
TO LOAD CENTER
(PUR-2 THROW IN WIRE #1)
16,100 LOOP
THRU RCP-B BATH CABT
DETAIL BD
THRU RCP-MAIN TV
THRU RCP-B WARDROBE
DETAIL BF
THRU RCP-BDRM TV
(BLK) 1200 DROP
TO LOAD CENTER
(YEL-2) 1200 DROP
TO LOAD CENTER



- 5 WITHOUT INVERTER THROW IN #2 (PUR-2) CONNECTS TO (PUR) FROM LOAD CENTER.
- 4 WIRE IS PART OF WIRE ASM-CHASSIS.
- 3 SEE LOAD CENTER/ATS ASM FOR ADDITIONAL INFORMATION.
2. ALL WIRES TO BE SECURED WITH CLAMP 10495 OR 10497 OR WIRE TIE 8343 OR 108046 EVERY 600MM. USE SCREW G67-XX-XXX OR G56-XX-XXX AS APPROPRIATE FOR INSTALLATION.
- 1 WIRES PASS THROUGH FLOOR IN THIS AREA.

NOTES:

FOR ELECTRICAL TORQUE SPECIFICATIONS SEE DWG NO. 128783-01-000

FOR ELECTRICAL CALLOUTS SEE DWG NO. 121339-01-000

- 61K TV(REAR)-26" COLOR STEREO
- 401 INVERTER-DC/AC, 1000 WATT
- 78J ELECTRICAL SYSTEM-50 AMP
- 265 CODES/STANDARDS-CSA/CMVSS
- 1B1 CODES/STANDARDS USA

1B1 265

WINNEBAGO INDUSTRIES

COPYRIGHT 2011 WINNEBAGO INDUSTRIES, INC.

DFTR	ORIG. DATE
CHKR	ALL DIMENSIONS ARE IN MILLIMETERS
P.E.	FIRST USED
M.E.	13 D30A
DSNR	MATERIAL:
UNSPECIFIED TOLERANCES ARE:	
WHOLE DIM (X)	: 3
ONE-PLACE (X.X)	: 1.5
TWO-PLACE (X.XX)	: 0.50
ANGLE	: 1°
THIRD ANGLE PROJECTION	
DO NOT SCALE DRAWING	REFER TO ES0018 FOR FASTENER TIGHTENING GUIDELINES
TITLE: WIRING INSTL-BODY, 110V	
SHEET 1 OF 4	PART NO 181088 REV

REF: 1 12/5/2011

8

7

6

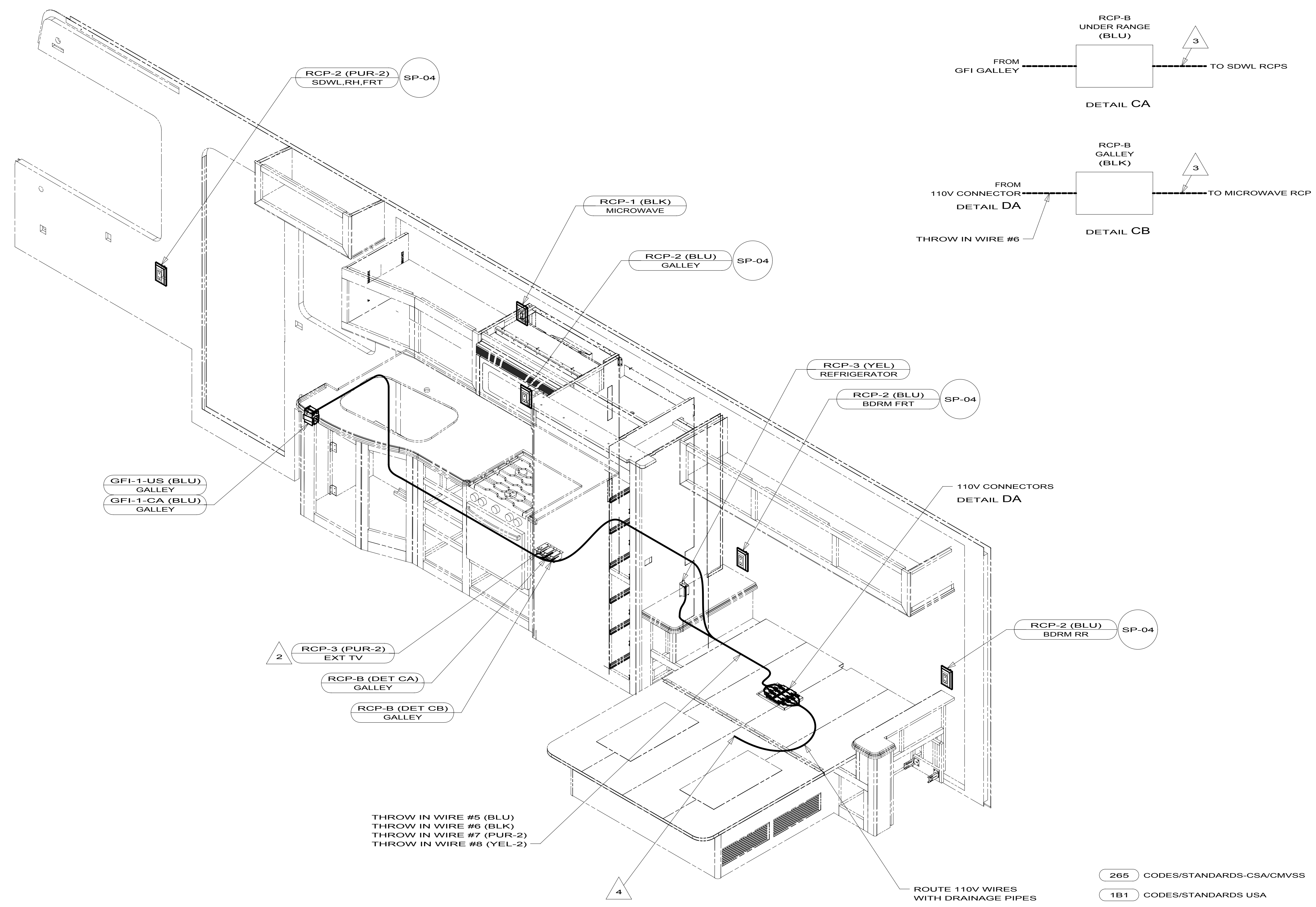
5

4

3

2

1



- 4 WIRE ROUTES THRU FLOOR IN THIS AREA.
- 3 WIRE IN SIDEWALL
- 2 WITHOUT EXT TV, MOUNT RECEPTACLE TO SIDEWALL.

1. ALL WIRES TO BE SECURED WITH CLAMP 10495 OR 10497 OR WIRE TIE 8343 OR 108046 EVERY 600MM, USE SCREW G67-XX-XXX OR G56-XX-XXX AS APPROPRIATE FOR INSTALLATION.

NOTES:

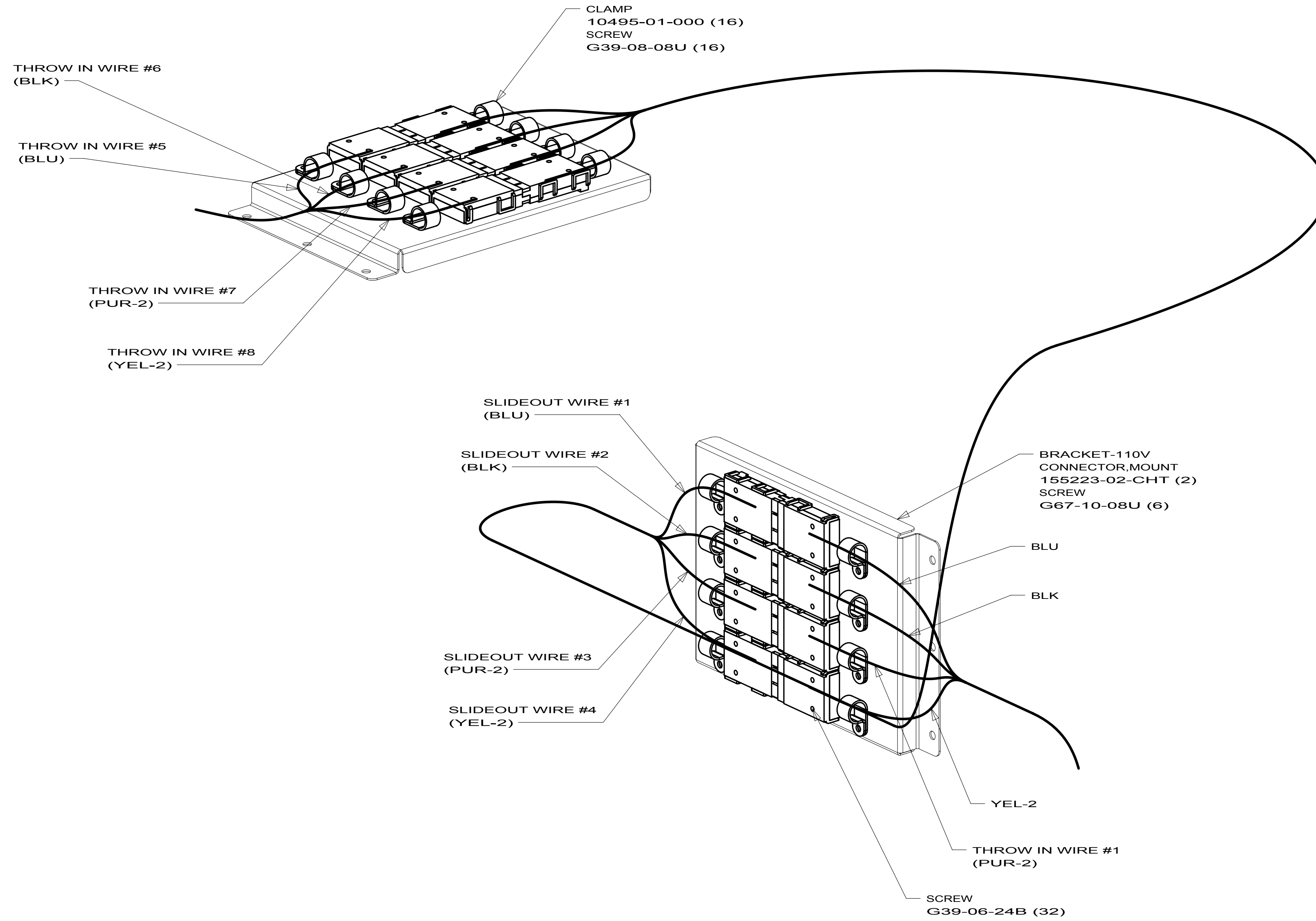
FOR ELECTRICAL TORQUE SPECIFICATIONS SEE DWG NO. 128783-01-000

FOR ELECTRICAL CALLOUTS SEE DWG NO. 121339-01-000

265 CODES/STANDARDS-CSA/CMVSS
1B1 CODES/STANDARDS USA

1B1 265

FIRST USED	13 D30A	
DO NOT SCALE DRAWING		
WIRING INSTL-BODY, 110V		
SHEET 3	PART NO. 181088	REV



DETAIL DA

265 CODES/STANDARDS-CSA/CMVSS

1B1 CODES/STANDARDS USA

1B1 265

FIRST USED		13 D30A	
DO NOT SCALE DRAWING			
TITLE: WIRING INSTL-BODY, 110V			
SHEET 4	PART NO	181088	REV

FOR ELECTRICAL
TORQUE
SPECIFICATIONS
SEE DWG NO.
128783-01-000

FOR
ELECTRICAL
CALLOUTS
SEE DWG NO.
121339-01-000