



DANGER

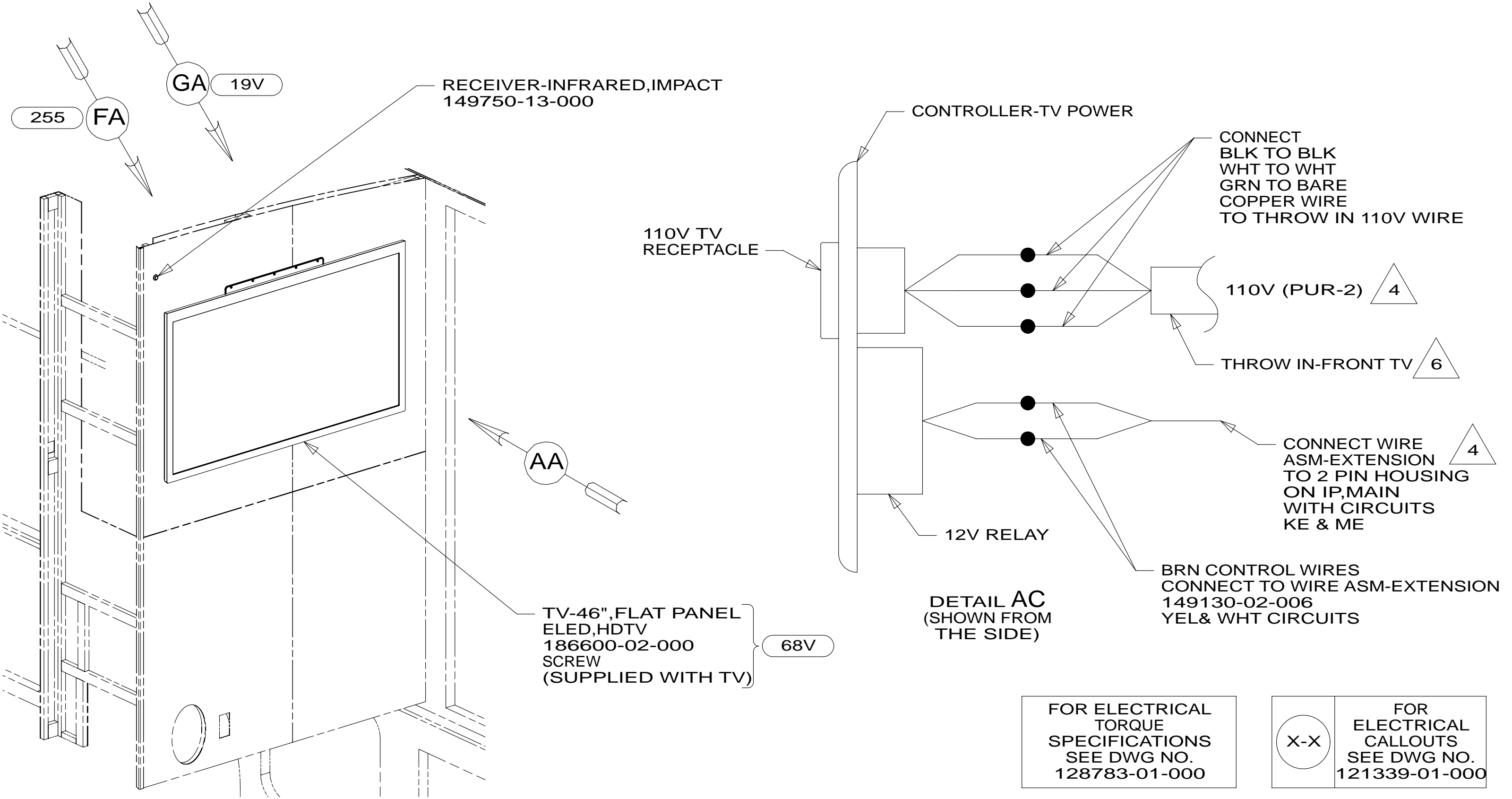
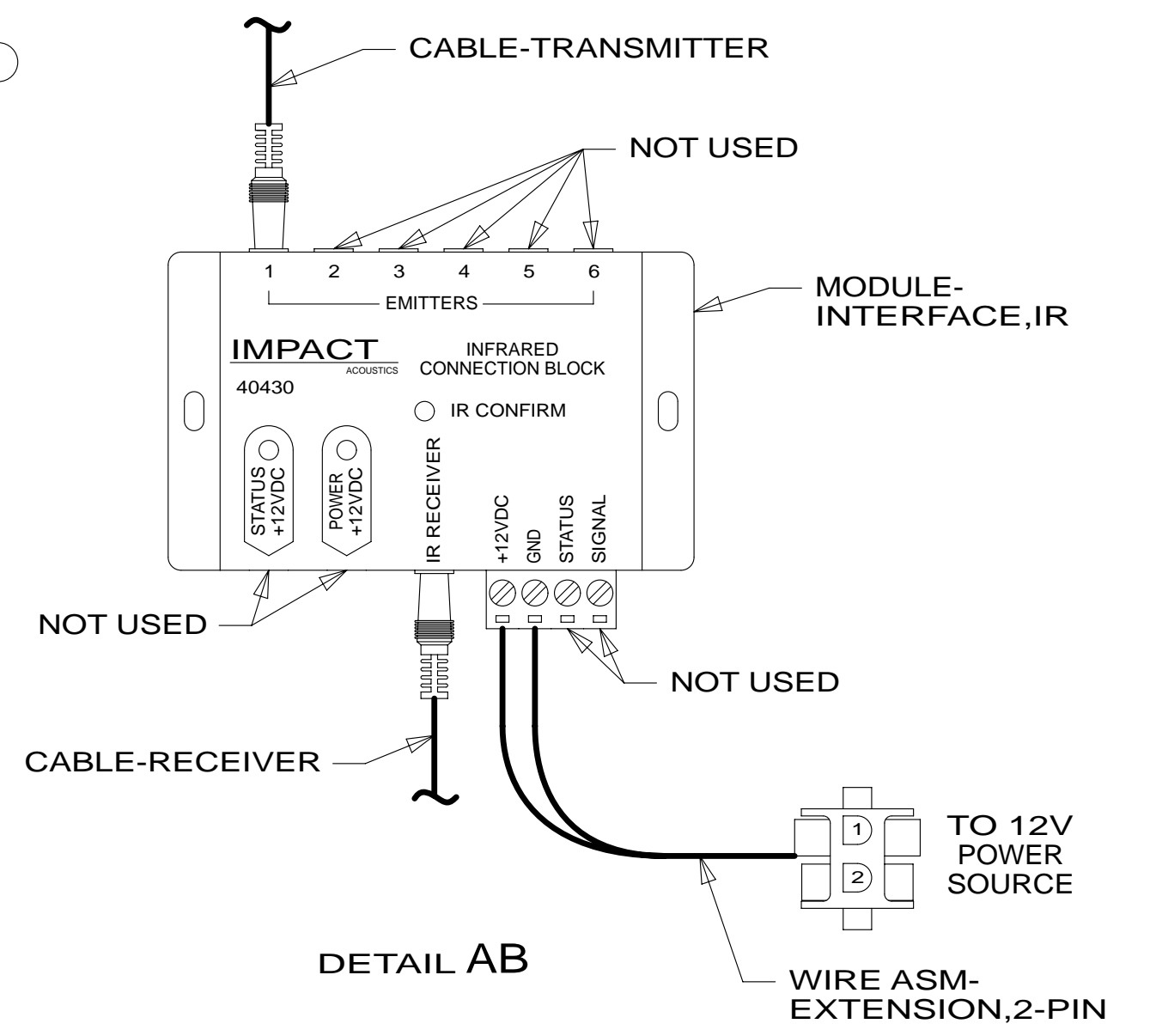
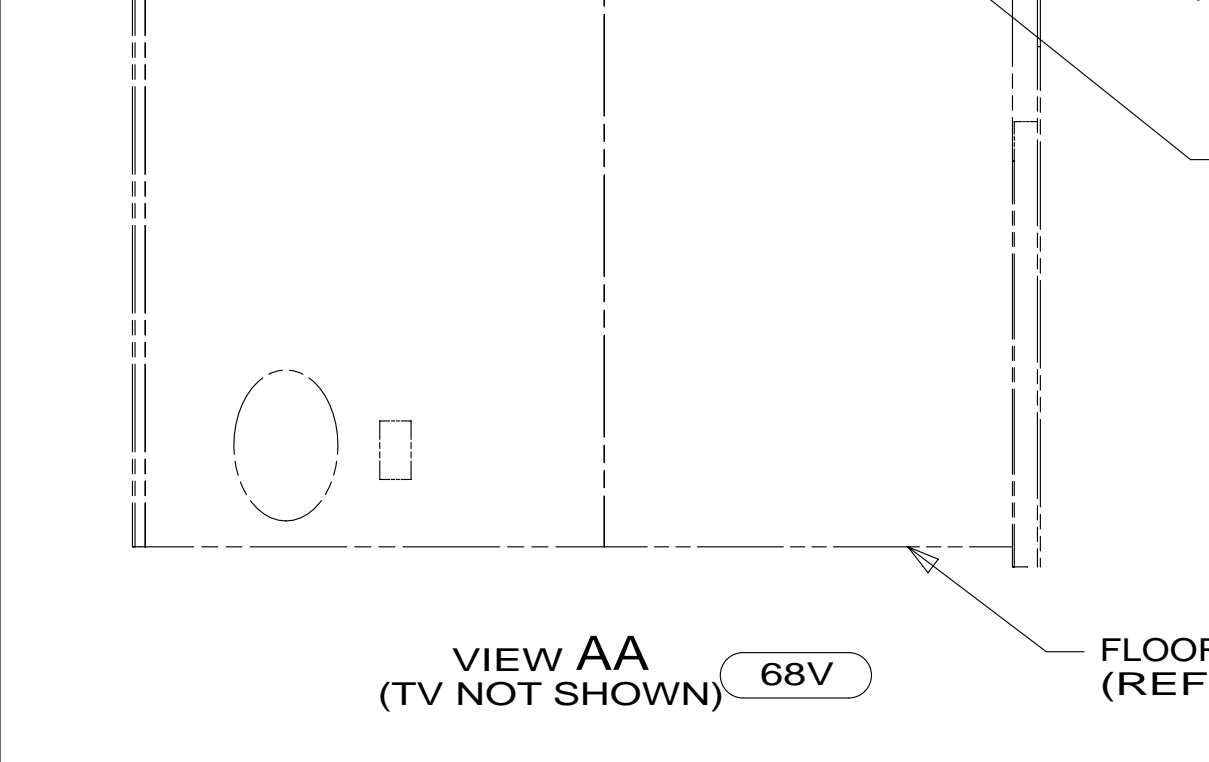
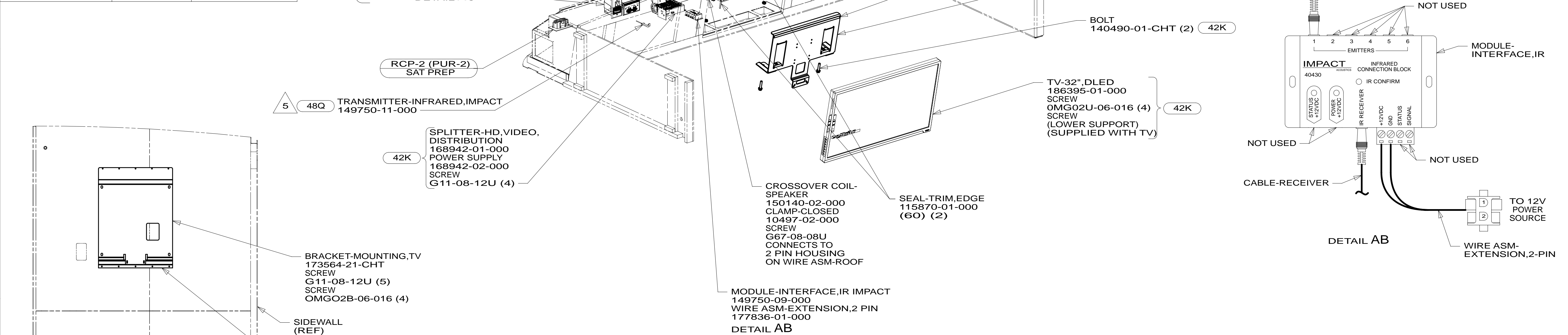
Danger of electrical shock, burns or death. Always remove all power sources before attempting any repair, service or diagnostic work. Power can be present from shore power, generator, inverter or battery. All power sources must be disabled and secured before performing any service.



CAUTION

If you lack the skills, tools or equipment to perform diagnostic or repair work leave such work to an authorized Winnebago Industries dealer or other qualified shop.

DRAWING NO.	UNITS	SHEETS
180921-01	E27N	1,6,7,11
180921-02	E26P	2,8,12
180921-03	E30T	2,3,8,9,13
180921-04	E35B	4,14,18,19
180921-05	E35F	5,10,15
180921-06	E26HE	16,17
180921-07	E31KE	20,21
180921-08	E30T	2,8,13,22,23



- 19V RADIO-AM/FM STEREO CD PLAYER
- 255 RADIO-AM/FM/CD/DVD PLAYER
- 68V TV-46" COLOR, STEREO W/REMOTE
- 48Q SATELLITE DISH & ELEV. SENSOR
- 42K TV-32" COLOR, STEREO W/REMOTE
- 1H5 TV, FRONT-WITHOUT
- 1D3 ENTERTAIN CENTR/EXT TV-DVD
- 193 TV ANTENNA-AMPLIFIED SYSTEM
- 265 CODES/STANDARDS-CSA/CMVSS
- 1B1 CODES/STANDARDS USA

- 9 USED ON 2014 UNITS.
- 8 USED ON 2013 UNITS.
- 7 PREP SURFACE WITH 87211-01-000.
- 6 SEE 110V LOAD CENTER FOR ADDITIONAL INFORMATION.
- 5 ROUTE 1 TRANSMITTER TO EACH SIDE AND COIL FOR FUTURE USE.
- 4 ROUTE 110V & 12V IN OPPOSITE ENDS OF ELECTRICAL BOX.

3. WHERE WIRES PASS THROUGH HOLES IN STEEL AND NOT OTHERWISE PROTECTED, USE GROMMET 92908-02-000.
2. ALL WIRES TO BE SECURED WITH CLAMP 10495-01-000 OR CLIP 80734-01-000 EVERY 600MM. USE SCREW G67-10-12B UNLESS OTHERWISE SPECIFIED.
1. 110V WIRE TO BE CLAMPED WITH CLAMP 10497-05-000 WITHIN 200MM OF OUTLET BOXES, USE SCREW G67-10-12B.

NOTES:

FOR ELECTRICAL TORQUE SPECIFICATIONS SEE DWG NO. 128783-01-000

X-X FOR ELECTRICAL CALLOUTS SEE DWG NO. 121339-01-000

WINNEBAGO INDUSTRIES, INC. COPYRIGHT 2013

13 E-SERIES

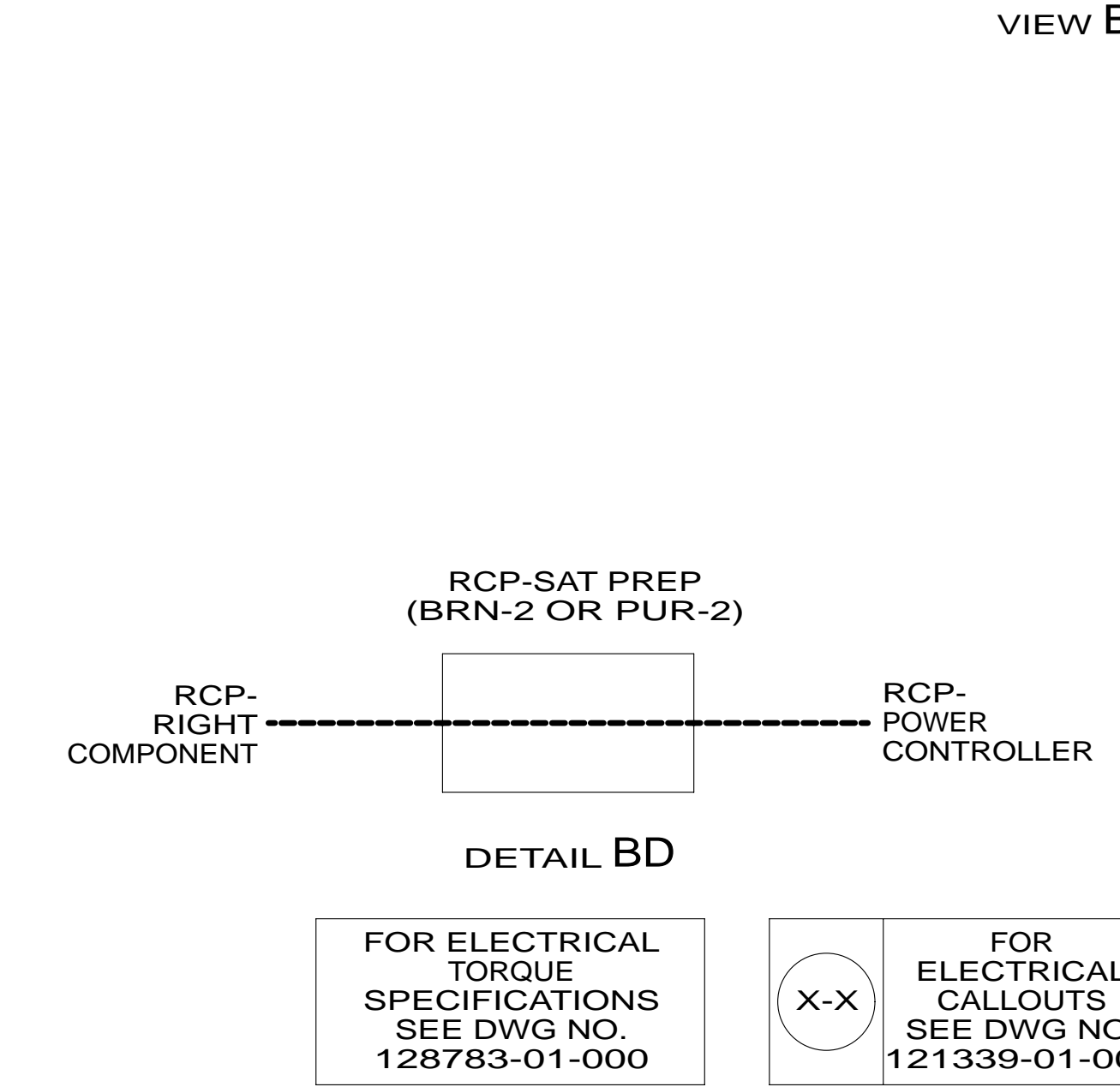
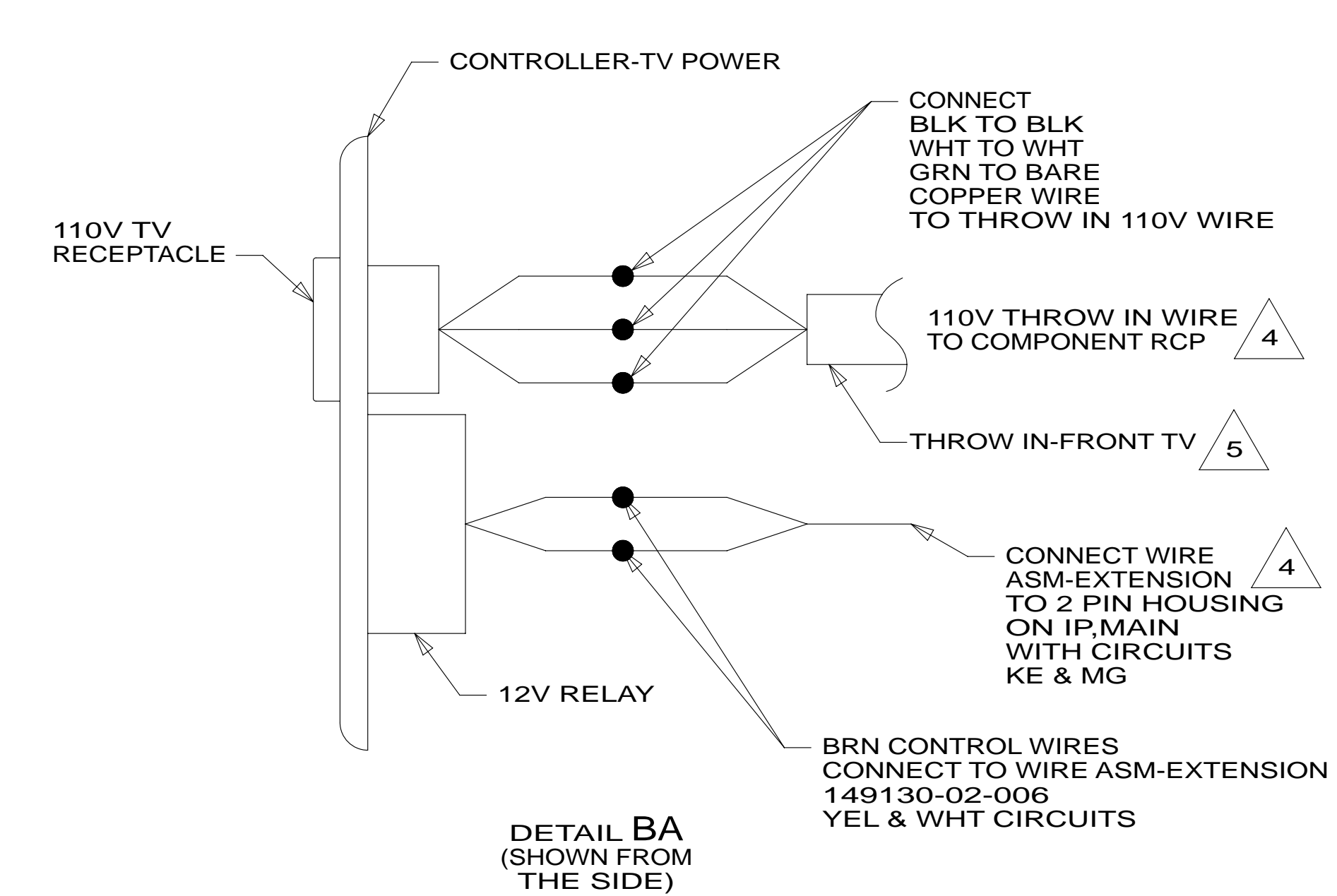
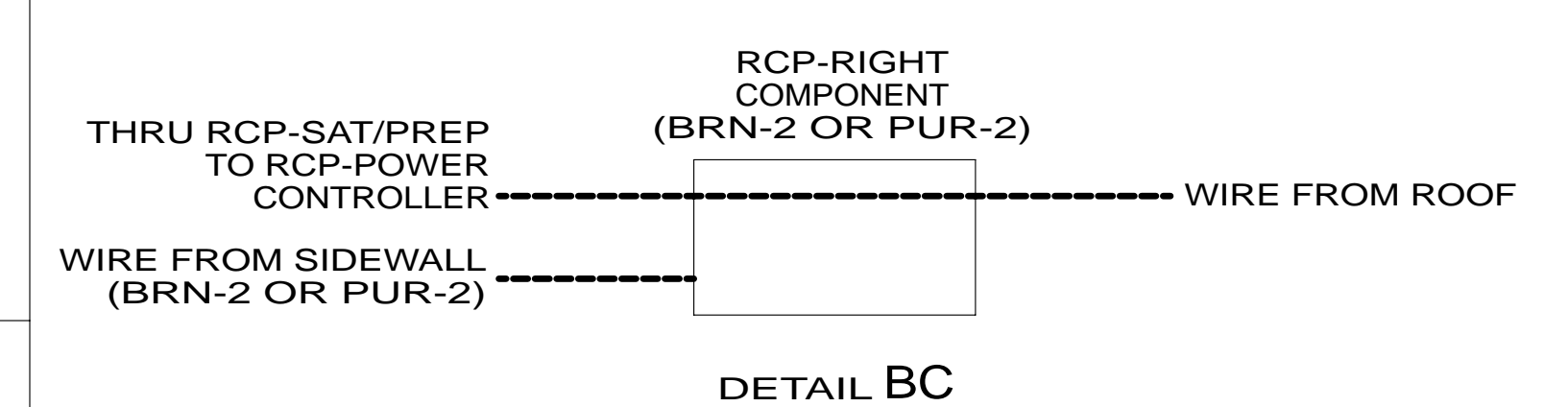
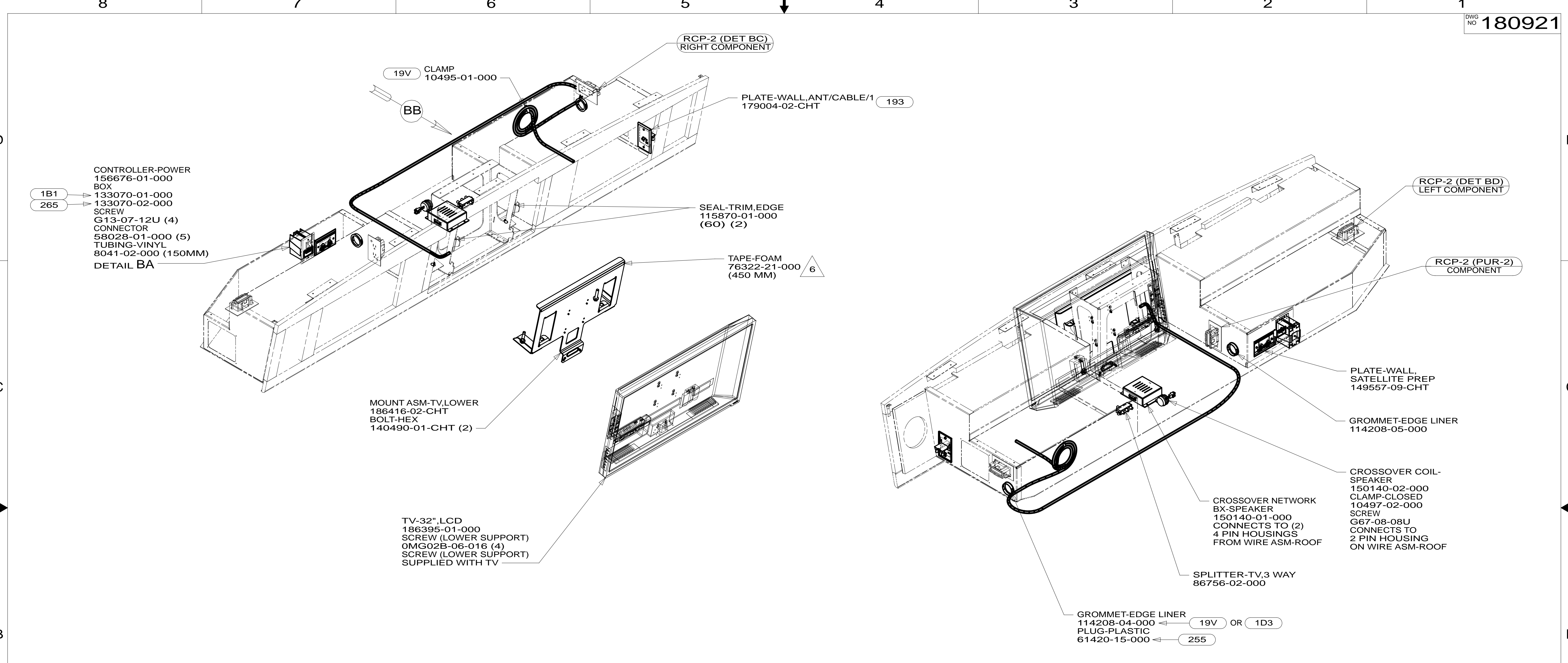
ALL DIMENSIONS ARE IN MILLIMETERS

WIRING INSTL-TV/DVD

SHEET 1 OF 23 PART NO. 180921 REV

REF: 1 19-Jul-2013

* 180921



- NOTES:**
- 6 PREP SURFACE WITH 87211-01-000.
 - 5 SEE 110V LOAD CENTER ASM FOR ADDITIONAL INFORMATION.
 - 4 ROUTE 110V AND 12V WIRES IN OPPOSITE ENDS OF ELECTRICAL BOX.
 - 3. WHERE WIRES PASS THROUGH HOLES IN STEEL AND NOT OTHERWISE PROTECTED, USE GROMMET 92908-02-000.
 - 2. ALL WIRES TO BE SECURED WITH CLAMP 10495-01-000 OR CLIP 80734-01-000 EVERY 600MM. USE SCREW G67-10-12B UNLESS OTHERWISE SPECIFIED.
 - 1. 110V WIRE TO BE CLAMPED WITH CLAMP 10497-05-000 WITHIN 200MM OF OUTLET BOXES, USE SCREW G67-10-12B.

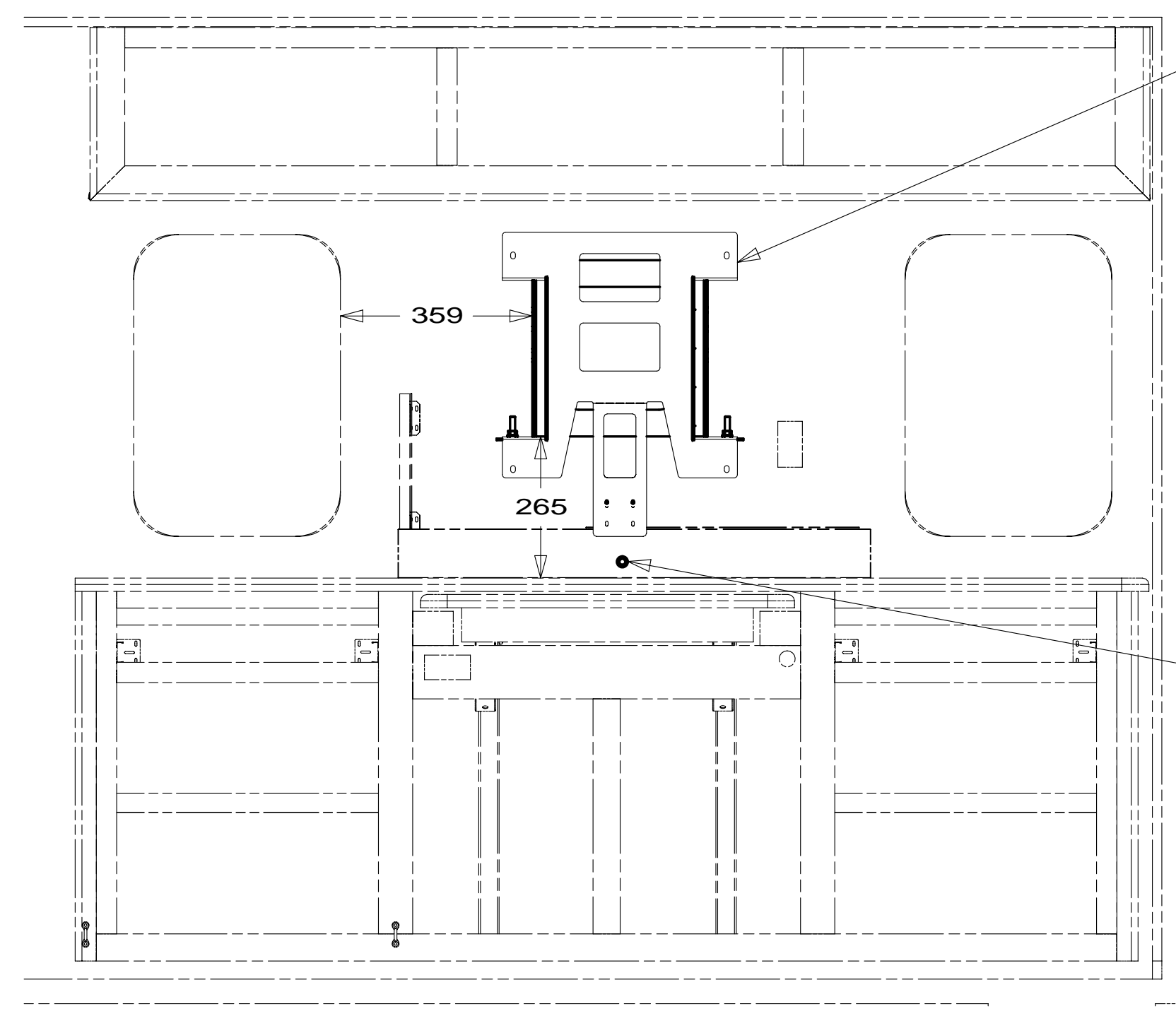
- 1D3 ENTERTAIN CENTR/EXT TV-DVD
- 255 RADIO/AM/FM/CD/DVD PLAYER
- 19V RADIO/AM/FM STEREO CD PLAYER
- 193 TV ANTENNA-AMPLIFIED SYSTEM
- 42K TV-32" COLOR, STEREO W/REMOTE
- 265 CODES/STANDARDS-CSA/CMVSS
- 1B1 CODES/STANDARDS USA

FOR ELECTRICAL TORQUE SPECIFICATIONS SEE DWG NO. 128783-01-000

FOR ELECTRICAL CALLOUTS SEE DWG NO. 121339-01-000

FIRST USED		13 E-SERIES	
DO NOT SCALE DRAWING			
TITLE: WIRING INSTL-TV/DVD			
SHEET 2	PART NO	180921	REV
			19-Jul-2013

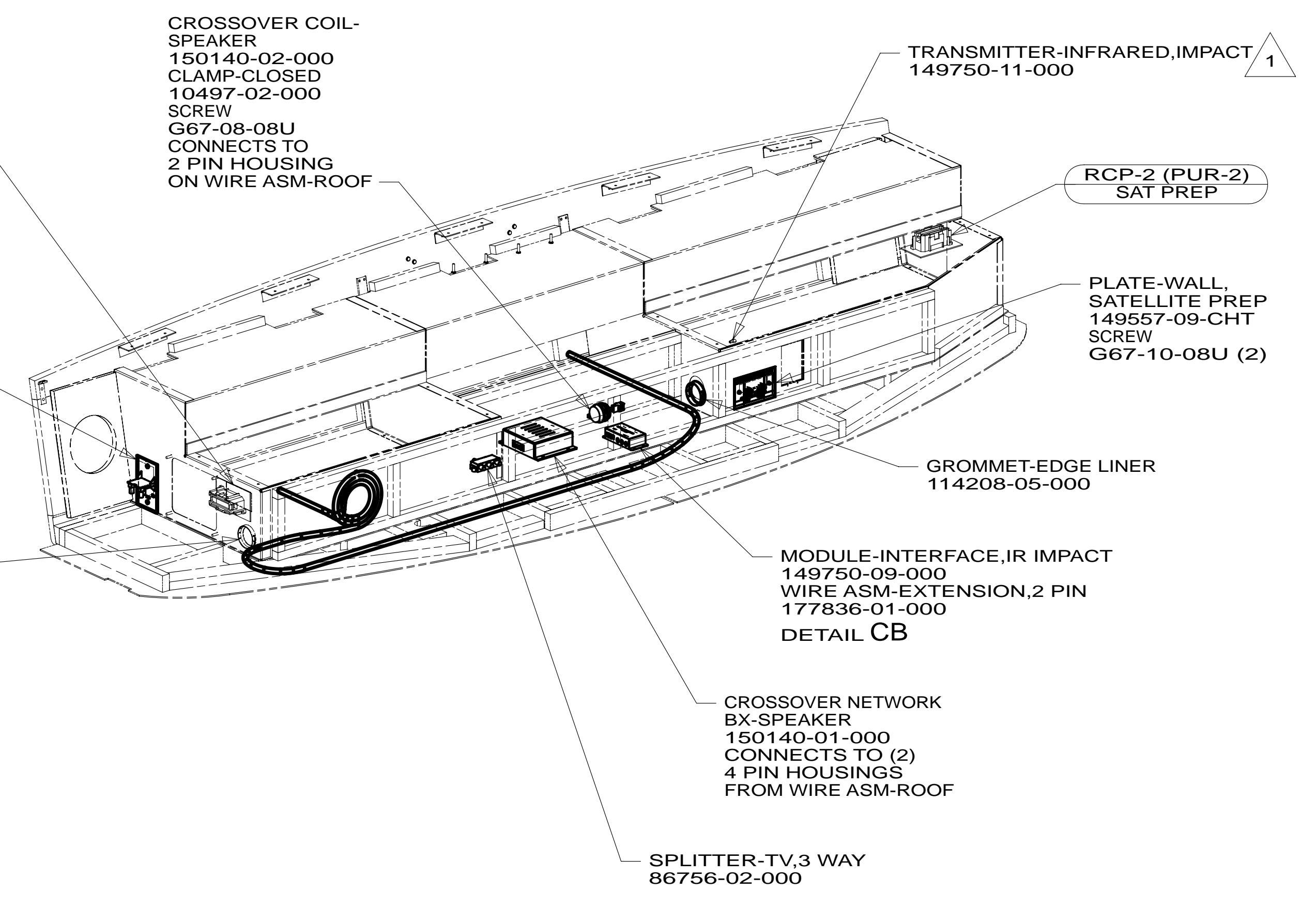
* 180921



VIEW CA

- BRACKET-SUPPORT,TV SIDE
173551-03-CHT
SCREW
G39-10-12U (10)
SCREW
OMG02B-06-016 (4)
BOLT
140490-01-CHT (2)
BRACKET ASM-TV
169166-07-CHT
SEAL-FOAM
99069-01-000
(2 PCS 265 MM)
J-CLIP
142913-01-000 (2)

- RECEIVER-INFRARED,IMPACT
149750-13-000



- RCP-2 (PUR-2)
RIGHT COMPONENT
- 193 PLATE-WALL,ANT/CABLE/1
179004-02-CHT
- 19V GROMMET-EDGE LINER
114208-04-000
PLUG-PLASTIC
- 255 61420-15-000

- CROSSOVER COIL-
SPEAKER
150140-02-000
CLAMP-CLOSED
10497-02-000
SCREW
G67-08-08U
CONNECTS TO
2 PIN HOUSING
ON WIRE ASM-ROOF

- 1 TRANSMITTER-INFRARED,IMPACT
149750-11-000

- RCP-2 (PUR-2)
SAT PREP

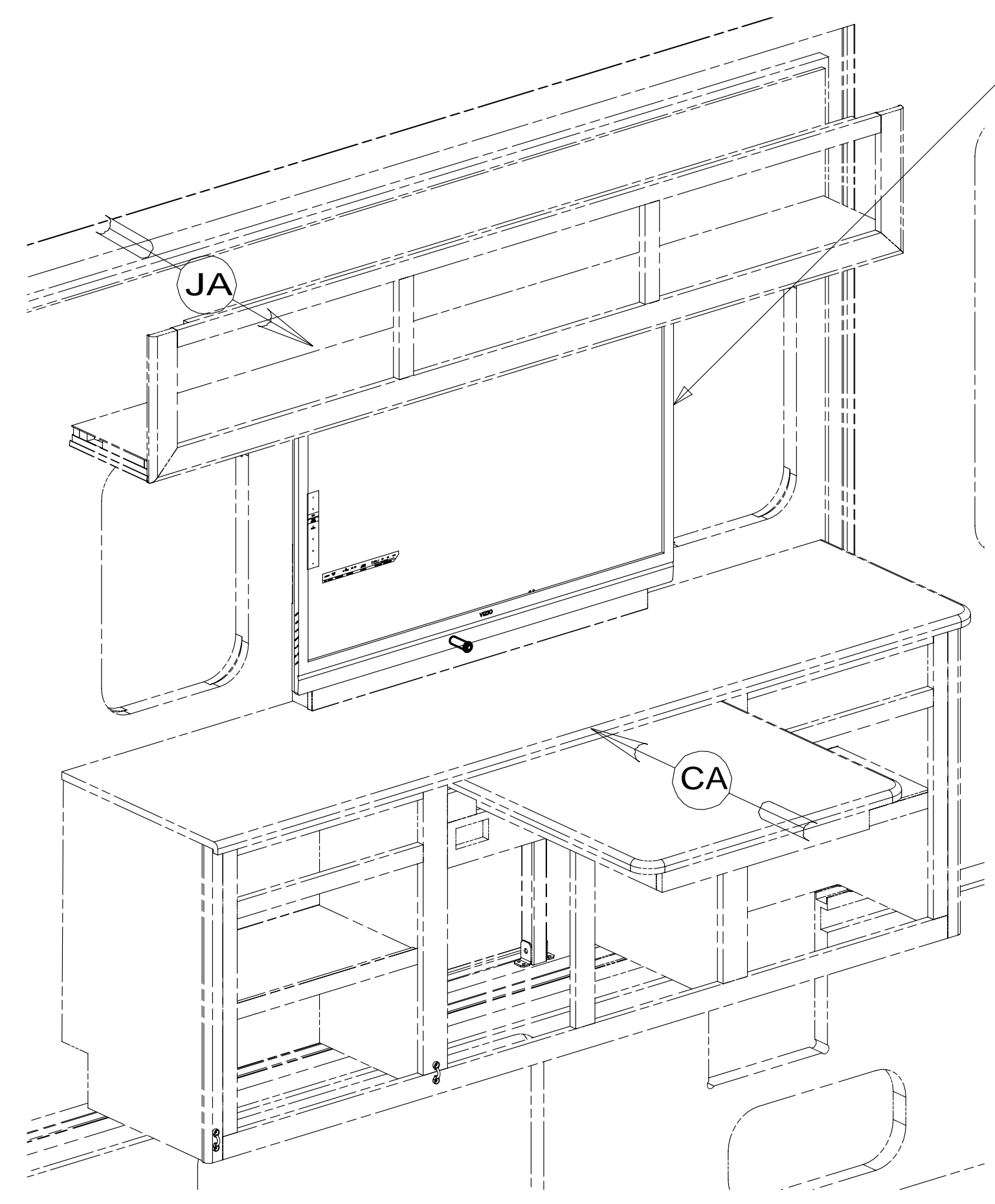
- PLATE-WALL,
SATELLITE PREP
149557-09-CHT
SCREW
G67-10-08U (2)

- GROMMET-EDGE LINER
114208-05-000

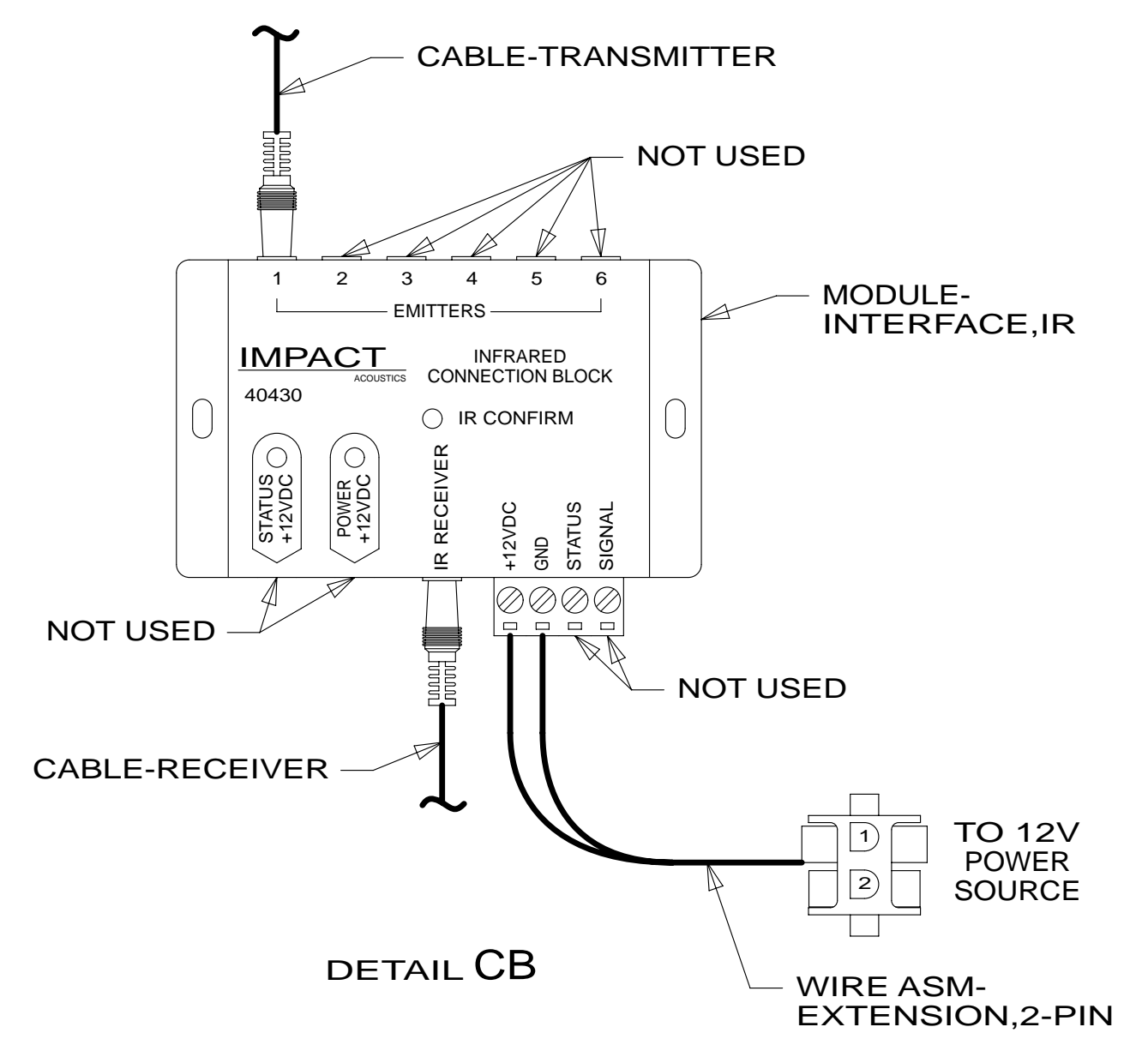
- MODULE-INTERFACE,IR IMPACT
149750-09-000
WIRE ASM-EXTENSION,2 PIN
177836-01-000
DETAIL CB

- CROSSOVER NETWORK
BX-SPEAKER
150140-01-000
CONNECTS TO (2)
4 PIN HOUSINGS
FROM WIRE ASM-ROOF

- SPLITTER-TV,3 WAY
86756-02-000



- TV-42",FLAT PANEL LCD, HDTV
183215-01-000



DETAIL CB

- 19V RADIO-AM/FM STEREO CD PLAYER
- 255 RADIO-AM/FM/CD/DVD PLAYER
- 193 TV ANTENNA-AMPLIFIED SYSTEM
- 1H5 TV, FRONT-WITHOUT
- 21W DINING/BUFFET/TV
- 265 CODES/STANDARDS-CSA/CMVSS
- 1B1 CODES/STANDARDS USA

- 1B1 265 21W 1H5

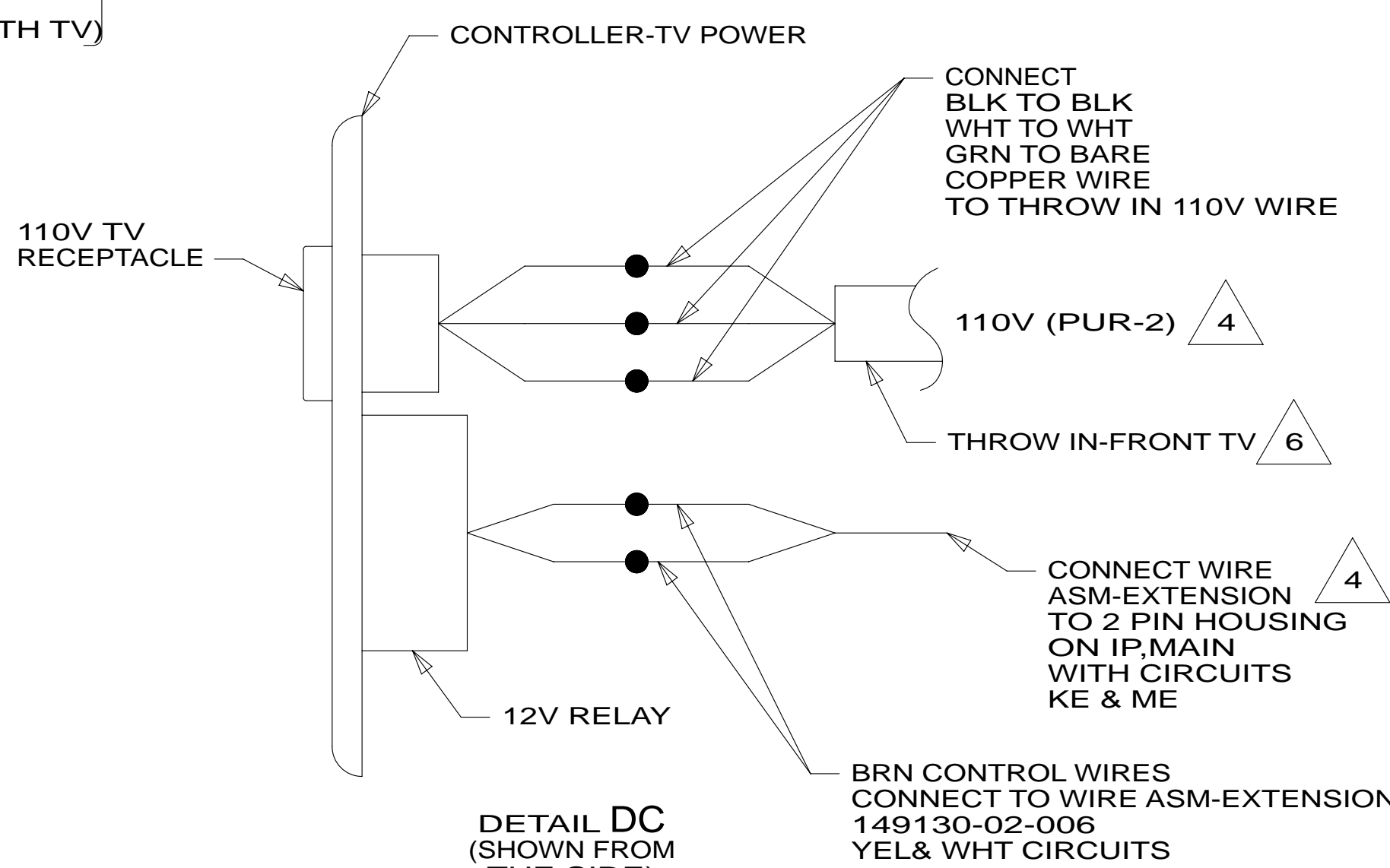
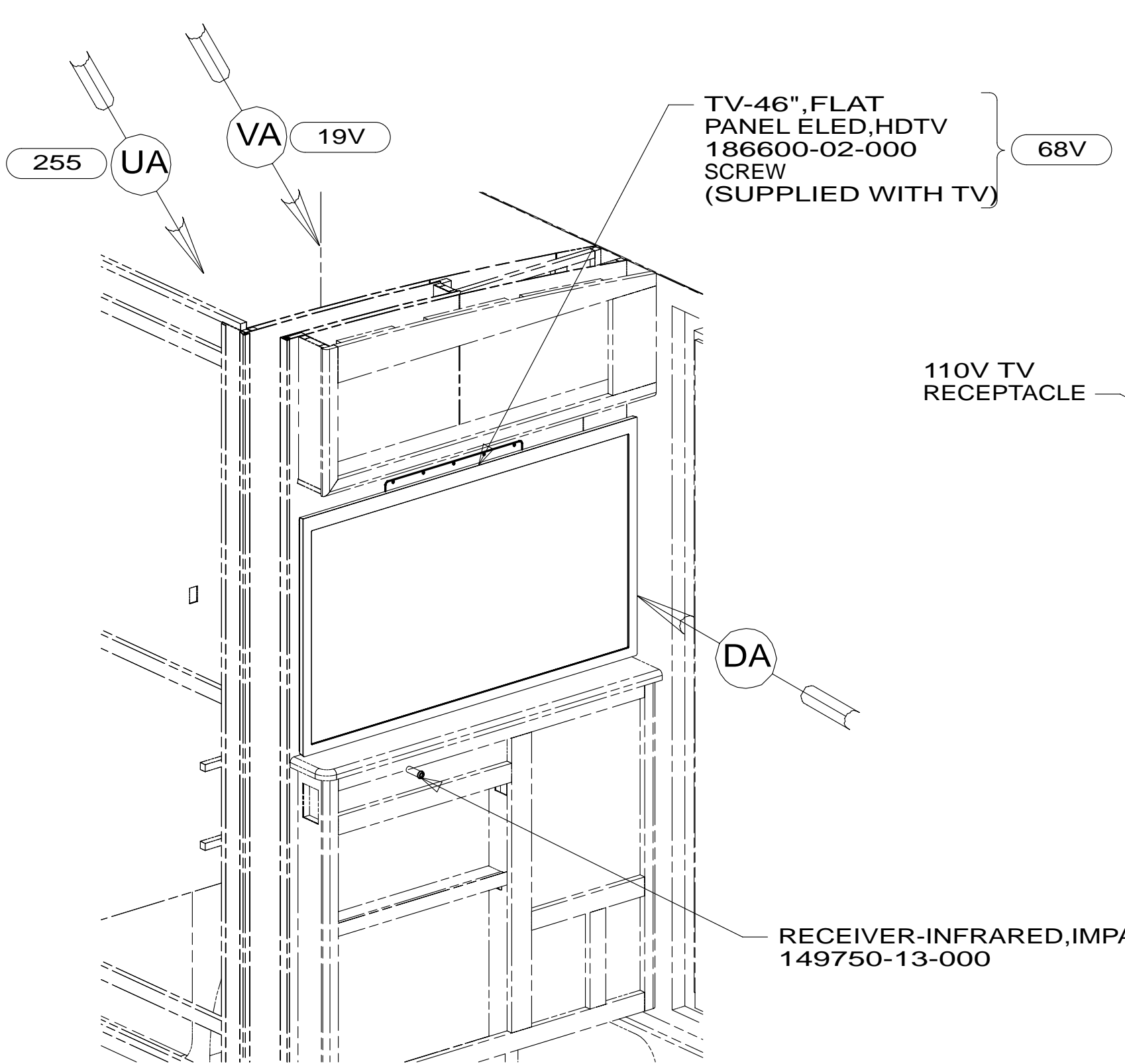
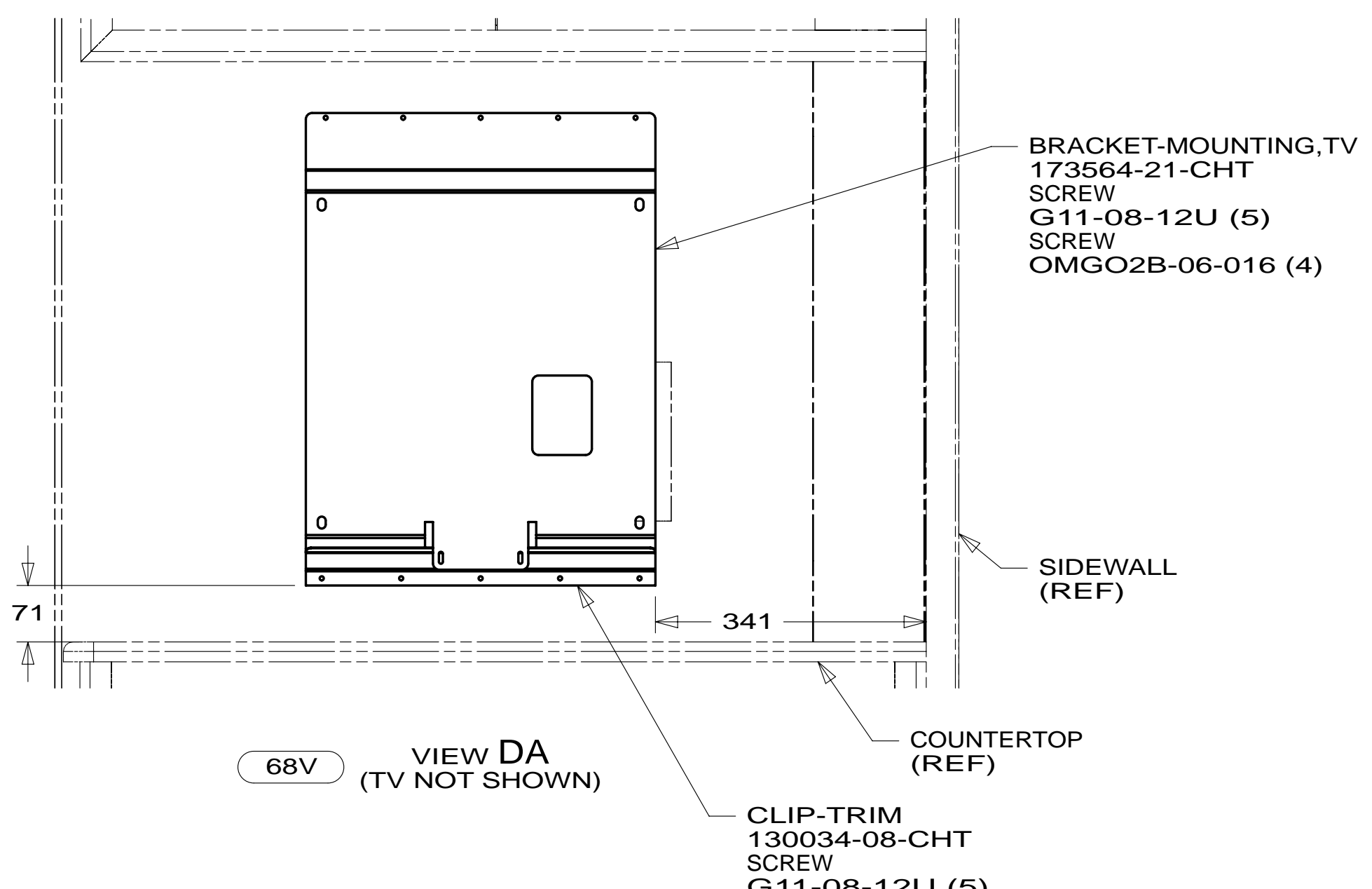
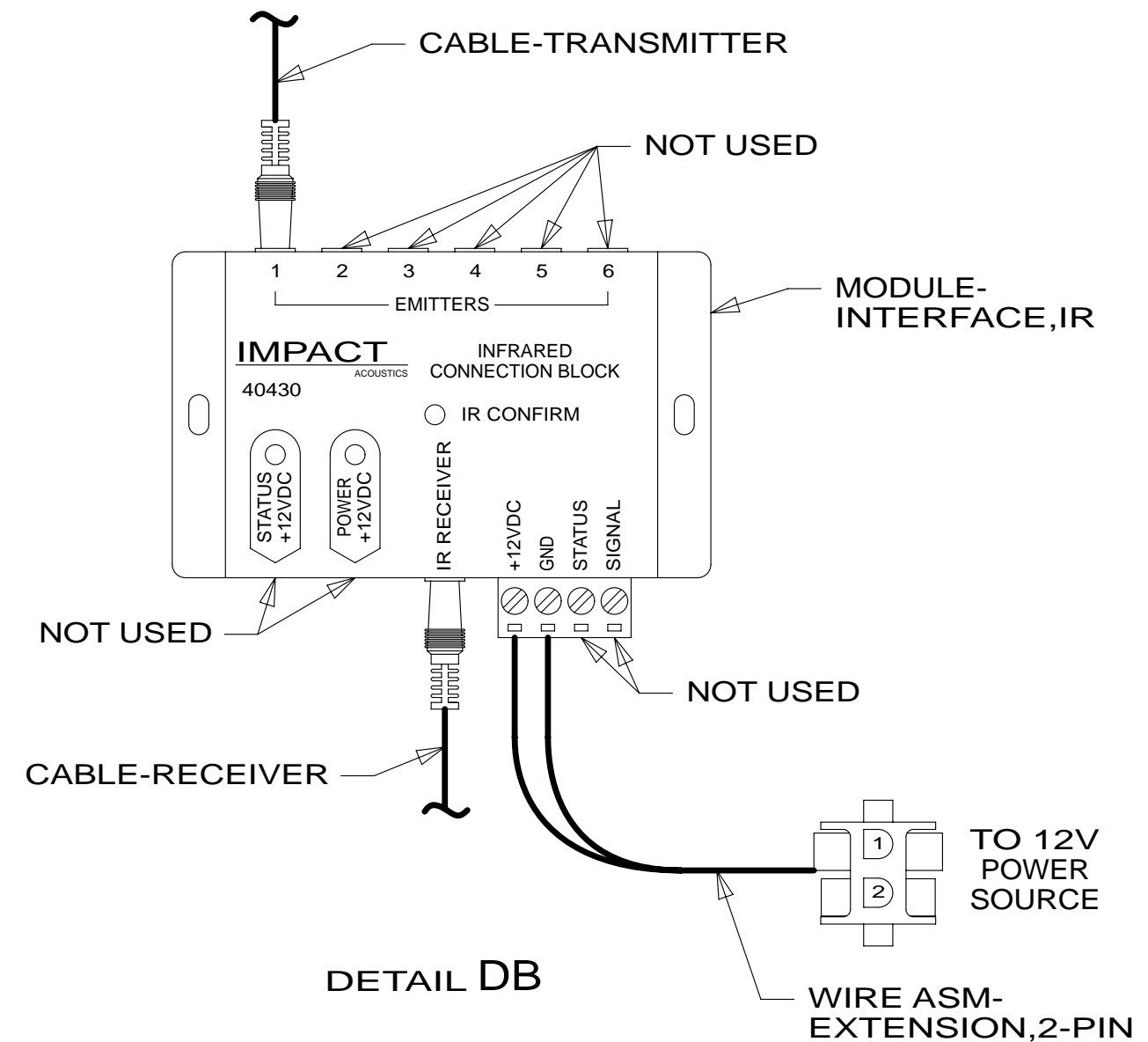
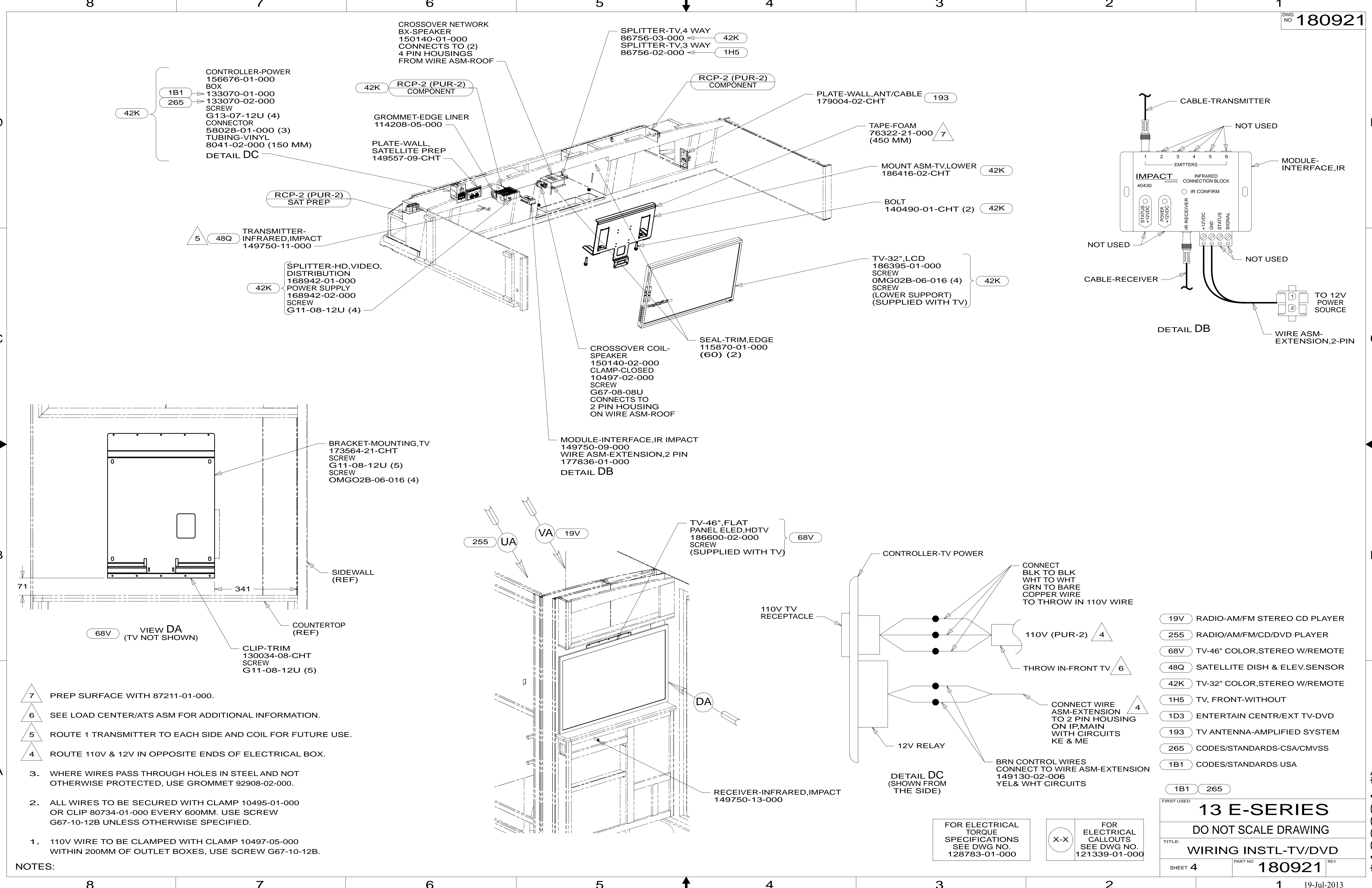
FIRST USED	
13 E-SERIES	
DO NOT SCALE DRAWING	
TITLE: WIRING INSTL-TV/DVD	
SHEET 3	PART NO 180921 REV
19-Jul-2013	

FOR ELECTRICAL
TORQUE
SPECIFICATIONS
SEE DWG NO.
128783-01-000

FOR
ELECTRICAL
CALLOUTS
SEE DWG NO.
121339-01-000

NOTES:
1 ROUTE 1 TRANSMITTER TO EACH SIDE AND COIL FOR FUTURE USE.

* 180921 A *



- 7 PREP SURFACE WITH 87211-01-000.
- 6 SEE LOAD CENTER/ATS ASM FOR ADDITIONAL INFORMATION.
- 5 ROUTE 1 TRANSMITTER TO EACH SIDE AND COIL FOR FUTURE USE.
- 4 ROUTE 110V & 12V IN OPPOSITE ENDS OF ELECTRICAL BOX.

3. WHERE WIRES PASS THROUGH HOLES IN STEEL AND NOT OTHERWISE PROTECTED, USE GROMMET 92908-02-000.
2. ALL WIRES TO BE SECURED WITH CLAMP 10495-01-000 OR CLIP 80734-01-000 EVERY 600MM. USE SCREW G67-10-12B UNLESS OTHERWISE SPECIFIED.
1. 110V WIRE TO BE CLAMPED WITH CLAMP 10497-05-000 WITHIN 200MM OF OUTLET BOXES, USE SCREW G67-10-12B.

NOTES:

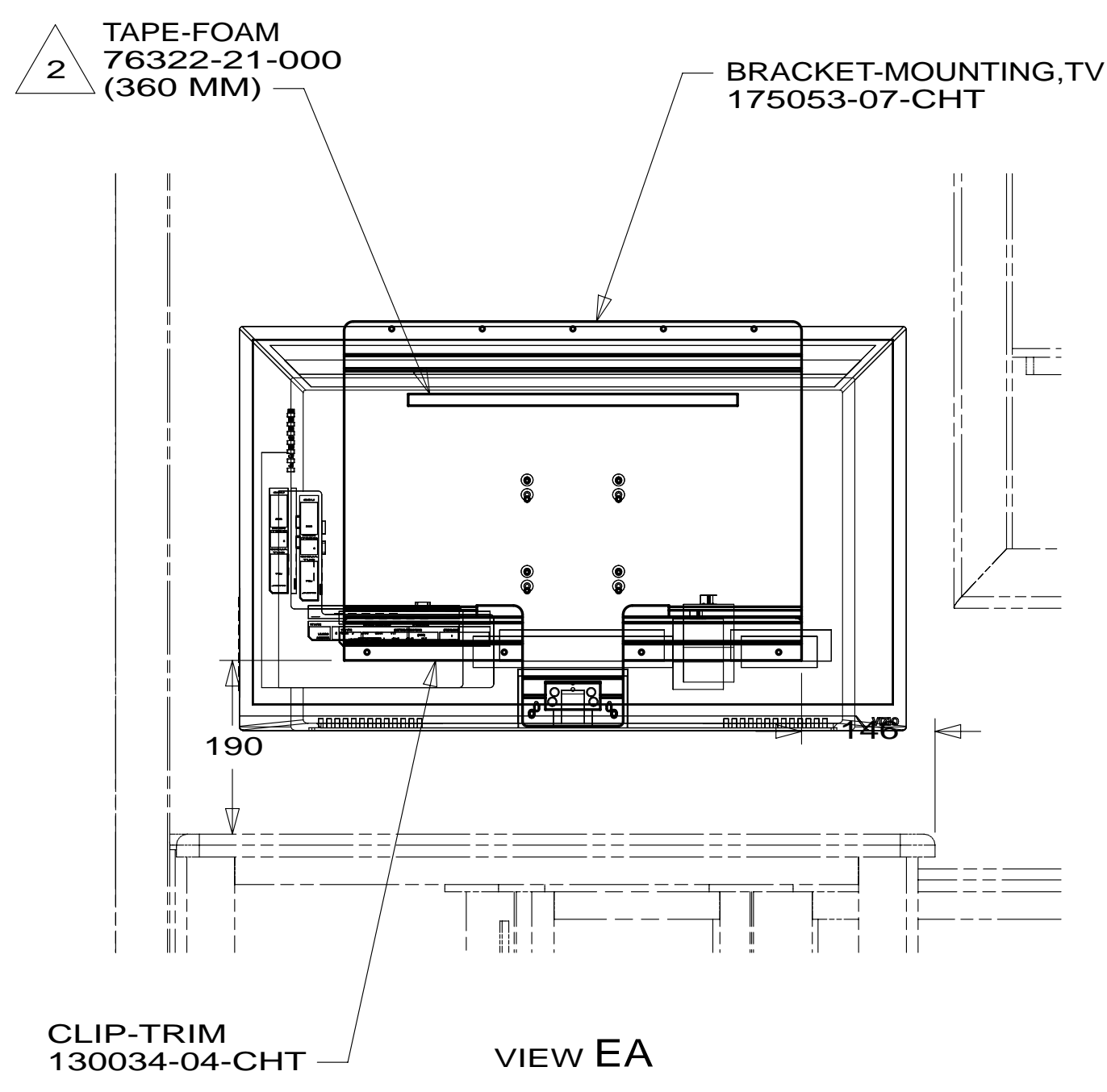
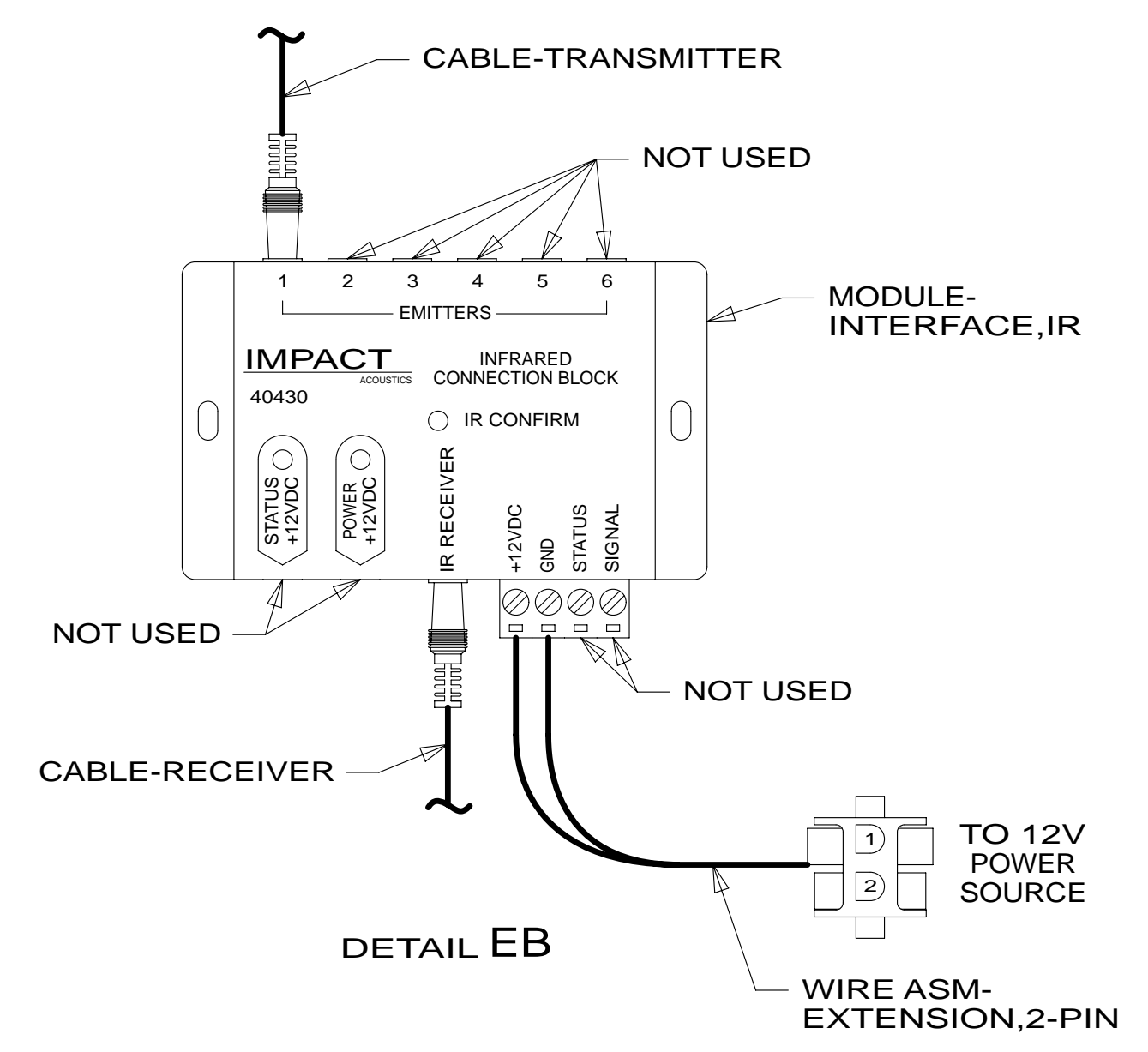
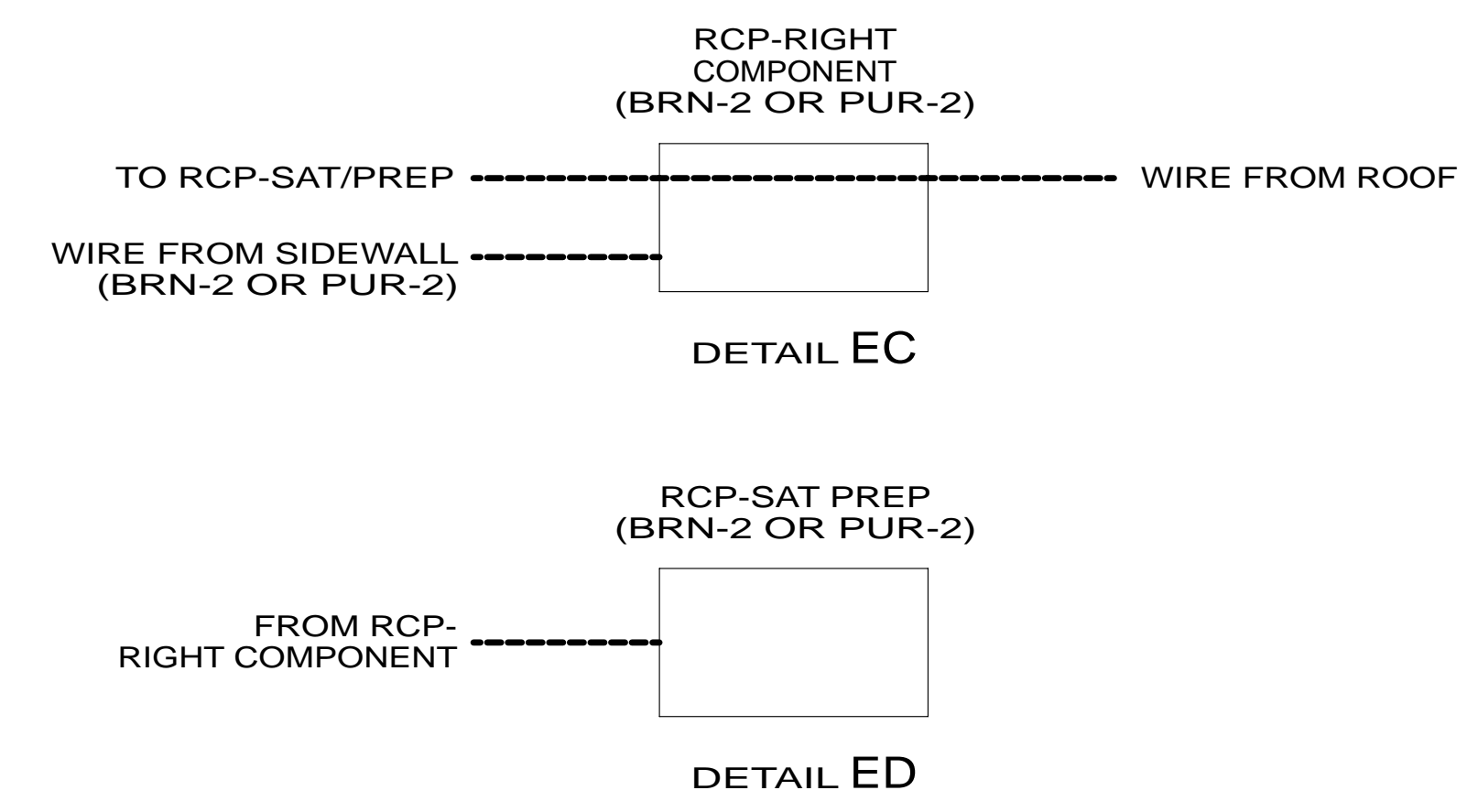
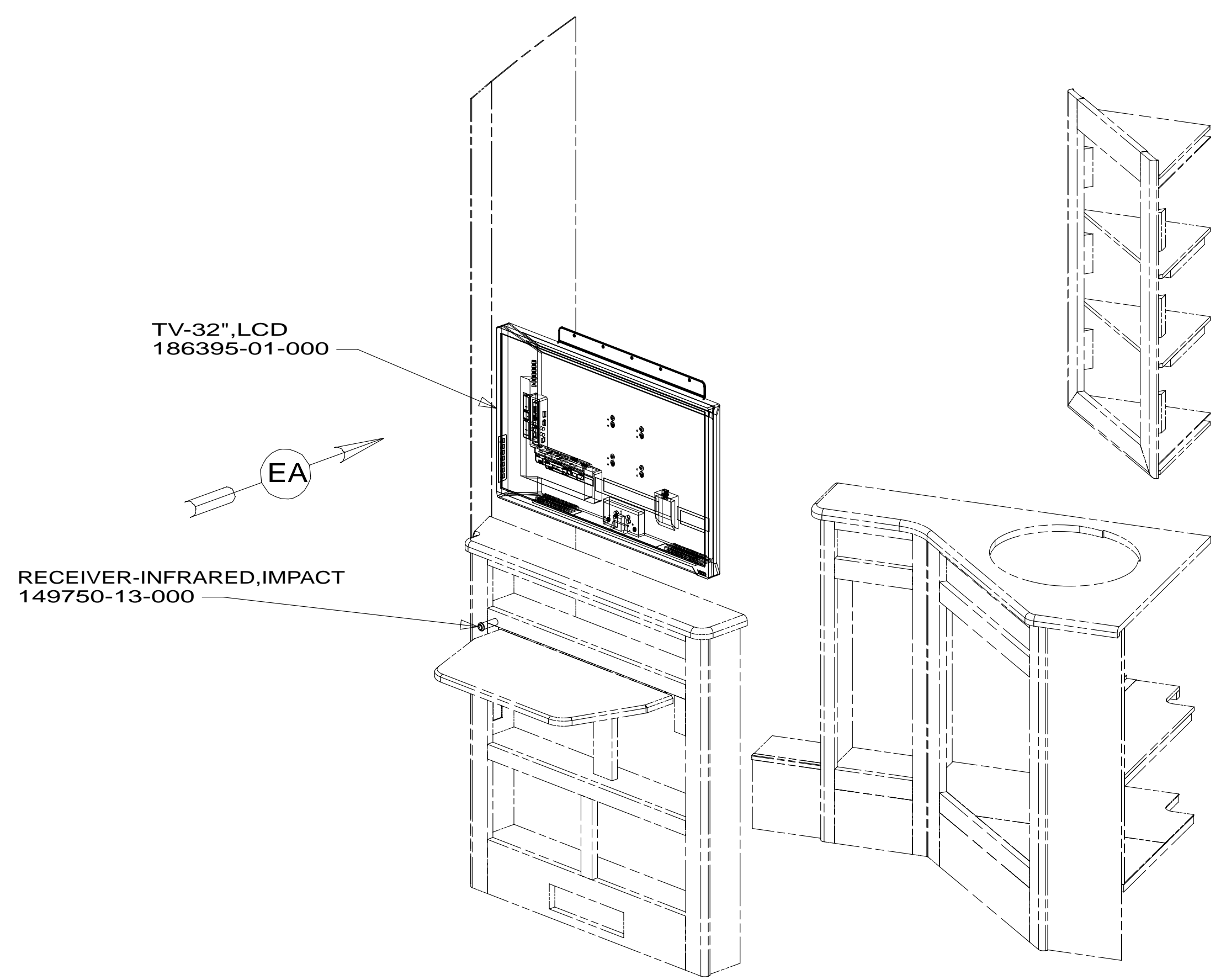
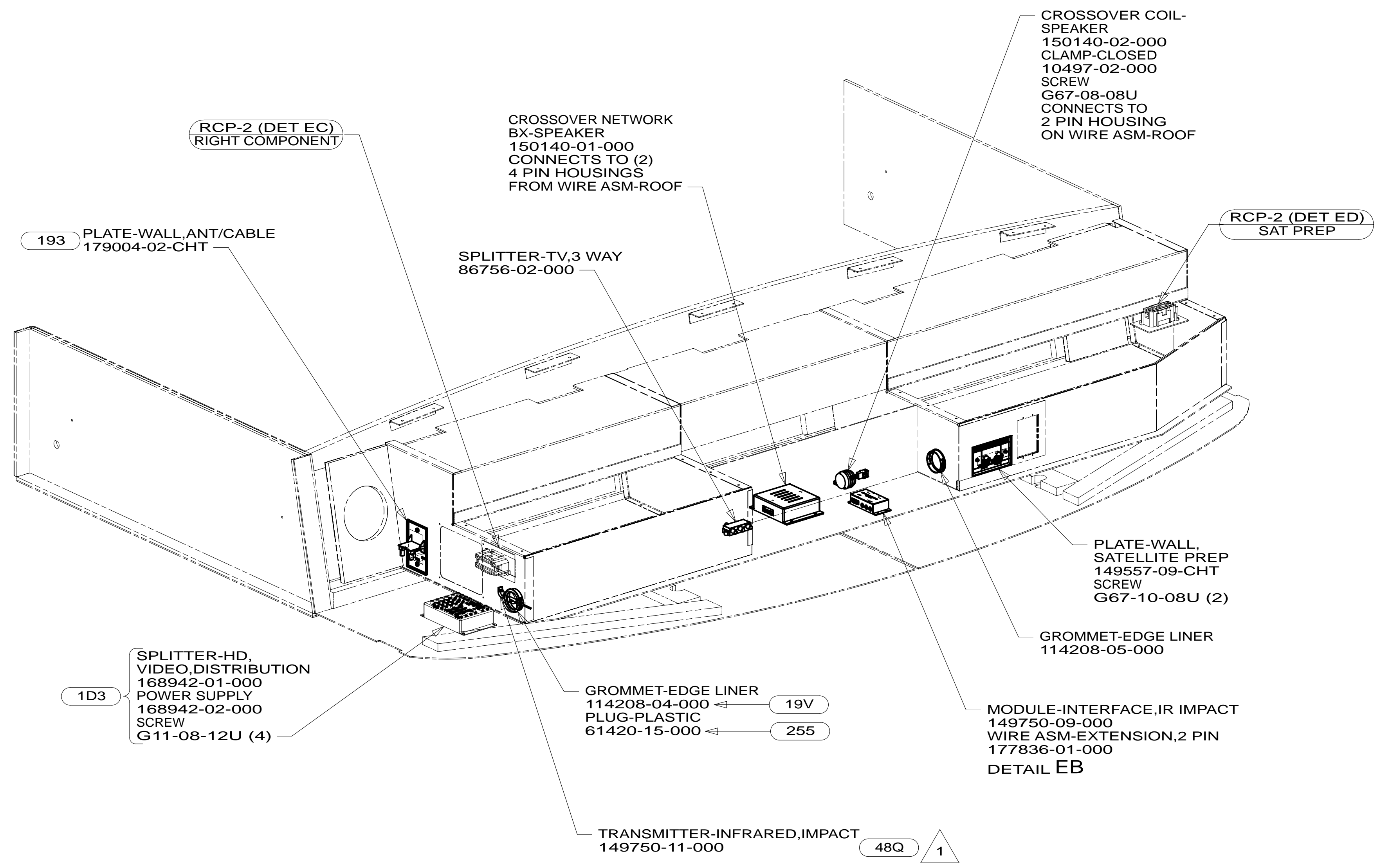
- 19V RADIO-AM/FM STEREO CD PLAYER
- 255 RADIO-AM/FM/CD/DVD PLAYER
- 68V TV-46" COLOR, STEREO W/REMOTE
- 48Q SATELLITE DISH & ELEV.SENSOR
- 42K TV-32" COLOR, STEREO W/REMOTE
- 1H5 TV, FRONT-WITHOUT
- 1D3 ENTERTAIN CENTR/EXT TV-DVD
- 193 TV ANTENNA-AMPLIFIED SYSTEM
- 265 CODES/STANDARDS-CSA/CMVSS
- 1B1 CODES/STANDARDS USA

FOR ELECTRICAL TORQUE SPECIFICATIONS SEE DWG NO. 128783-01-000

FOR ELECTRICAL CALLOUTS SEE DWG NO. 121339-01-000

FIRST USED	
13 E-SERIES	
DO NOT SCALE DRAWING	
TITLE: WIRING INSTL-TV/DVD	
SHEET 4	PART NO 180921 REV
19-Jul-2013	

* 180921



- 48Q SATELLITE TV SYSTEM MANUAL
- 255 RADIO/AM/FM/CD/DVD PLAYER
- 19V RADIO/AM/FM STEREO CD PLAYER
- 193 TV ANT-DIGITAL AMPLIFIED
- 1D3 ENTERTAIN CENTR/EXT TV-DVD
- 265 CODES/STANDARDS-CSA/CMVSS
- 1B1 CODES/STANDARDS USA

2 PREP SURFACE WITH 87211-01-000.

1 ROUTE 1 TRANSMITTER TO EACH SIDE AND COIL FOR FUTURE USE.

NOTES:

FOR ELECTRICAL
TORQUE
SPECIFICATIONS
SEE DWG NO.
128783-01-000

X-X
FOR
ELECTRICAL
CALLOUTS
SEE DWG NO.
121339-01-000

FIRST USED

13 E-SERIES

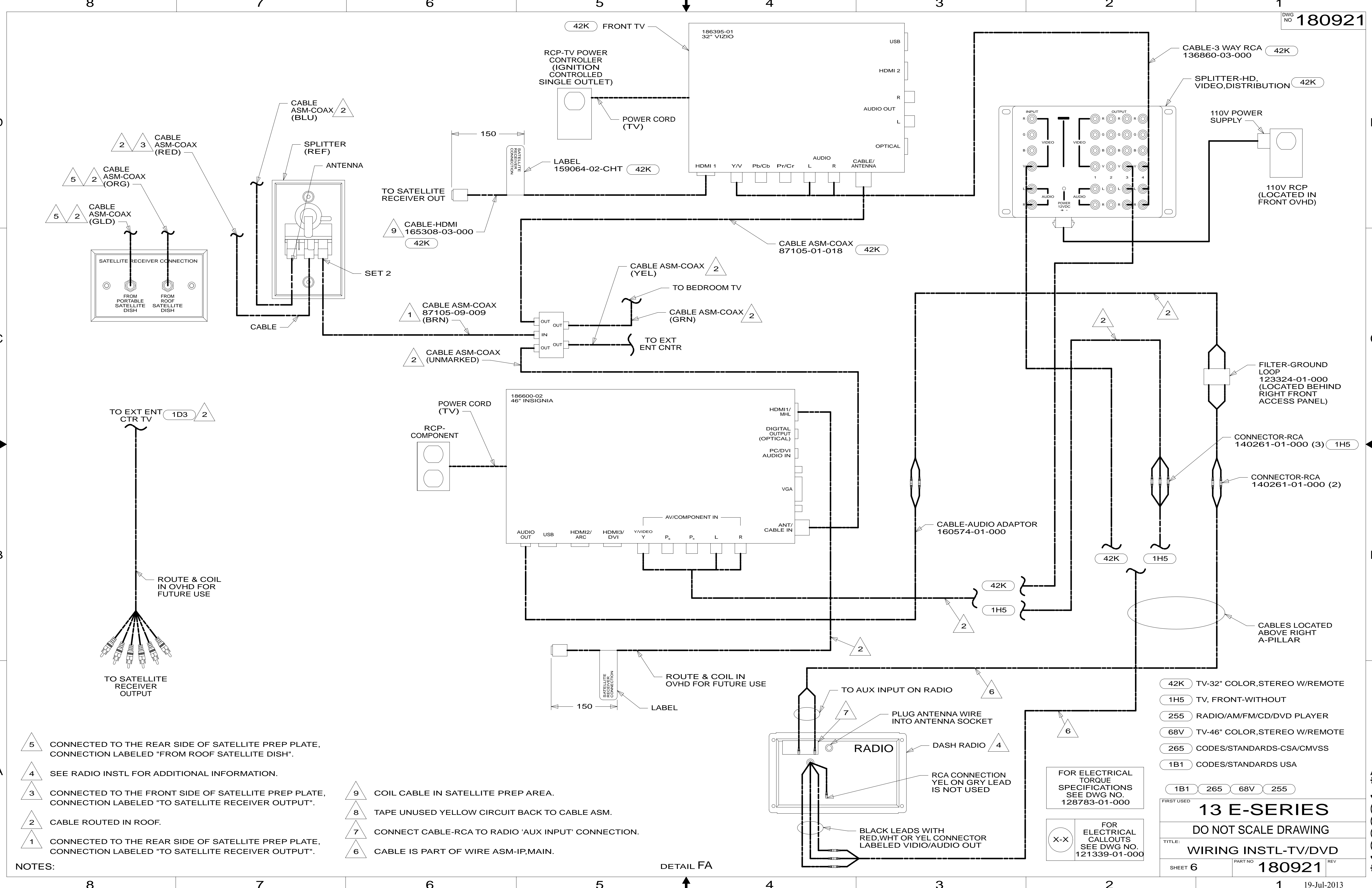
DO NOT SCALE DRAWING

TITLE: **WIRING INSTL-TV/DVD**

SHEET 5 PART NO **180921** REV

19-Jul-2013

* 180921



- NOTES:**
- 5 CONNECTED TO THE REAR SIDE OF SATELLITE PREP PLATE, CONNECTION LABELED "FROM ROOF SATELLITE DISH".
 - 4 SEE RADIO INSTL FOR ADDITIONAL INFORMATION.
 - 3 CONNECTED TO THE FRONT SIDE OF SATELLITE PREP PLATE, CONNECTION LABELED "TO SATELLITE RECEIVER OUTPUT".
 - 2 CABLE ROUTED IN ROOF.
 - 1 CONNECTED TO THE REAR SIDE OF SATELLITE PREP PLATE, CONNECTION LABELED "TO SATELLITE RECEIVER OUTPUT".
 - 9 COIL CABLE IN SATELLITE PREP AREA.
 - 8 TAPE UNUSED YELLOW CIRCUIT BACK TO CABLE ASM.
 - 7 CONNECT CABLE-RCA TO RADIO 'AUX INPUT' CONNECTION.
 - 6 CABLE IS PART OF WIRE ASM-IP,MAIN.

- 42K TV-32" COLOR,STEREO W/REMOTE
- 1H5 TV, FRONT-WITHOUT
- 255 RADIO/AM/FM/CD/DVD PLAYER
- 68V TV-46" COLOR,STEREO W/REMOTE
- 265 CODES/STANDARDS-CSA/CMVSS
- 1B1 CODES/STANDARDS USA

FOR ELECTRICAL TORQUE SPECIFICATIONS SEE DWG NO. 128783-01-000

FOR ELECTRICAL CALLOUTS SEE DWG NO. 121339-01-000

13 E-SERIES

DO NOT SCALE DRAWING

TITLE: **WIRING INSTL-TV/DVD**

SHEET 6 PART NO 180921 REV

* 180921 A *

DETAIL FA

8

7

6

5

4

3

2

1

D

D

C

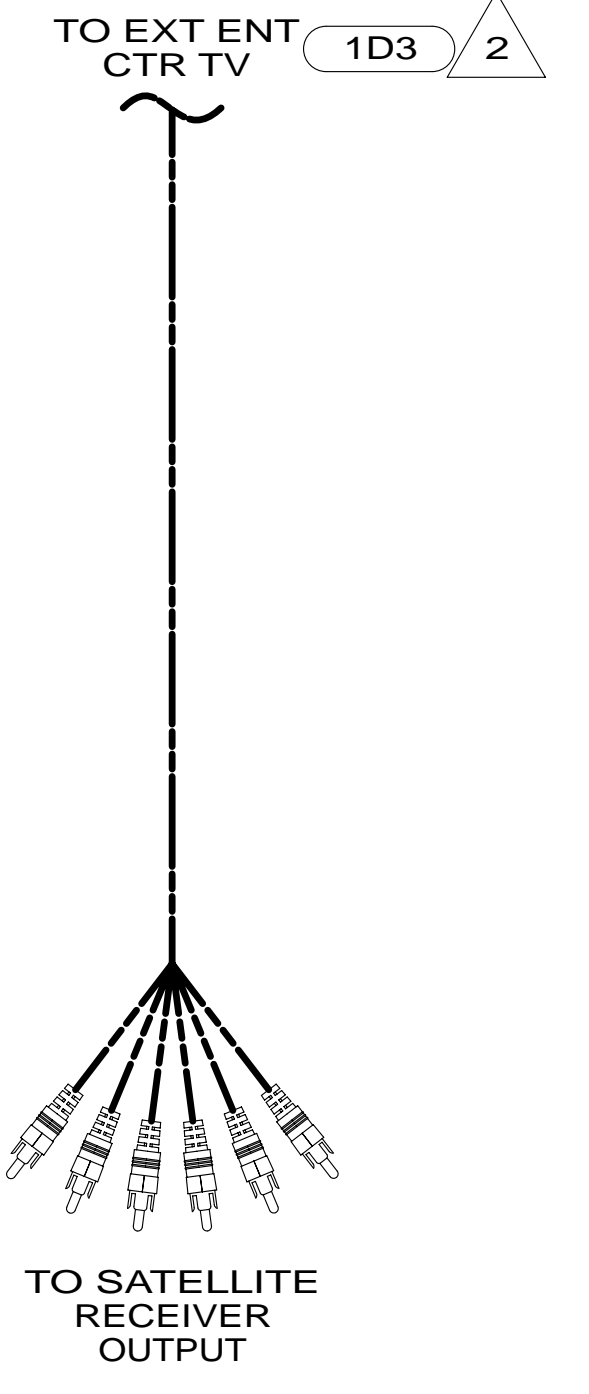
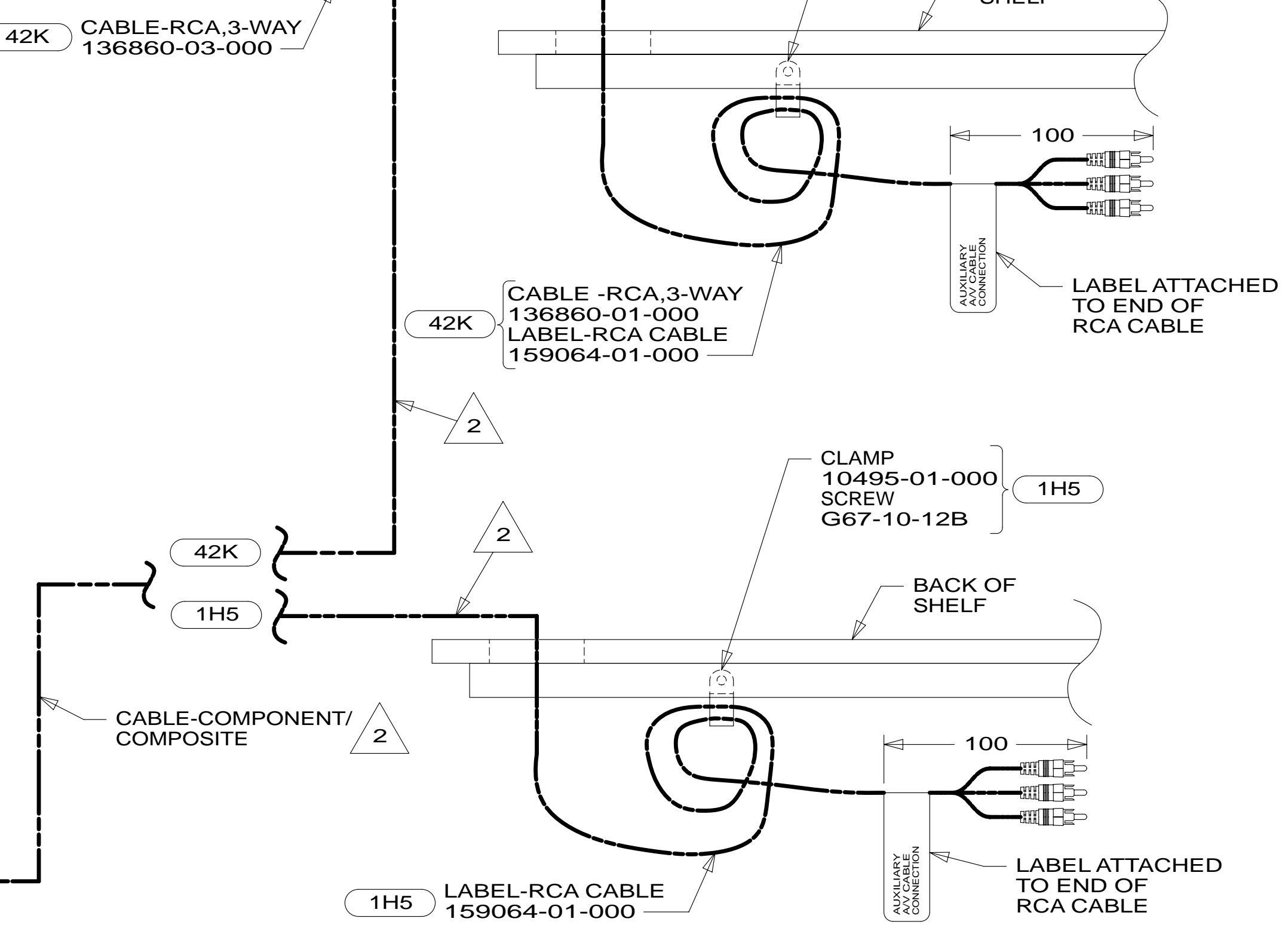
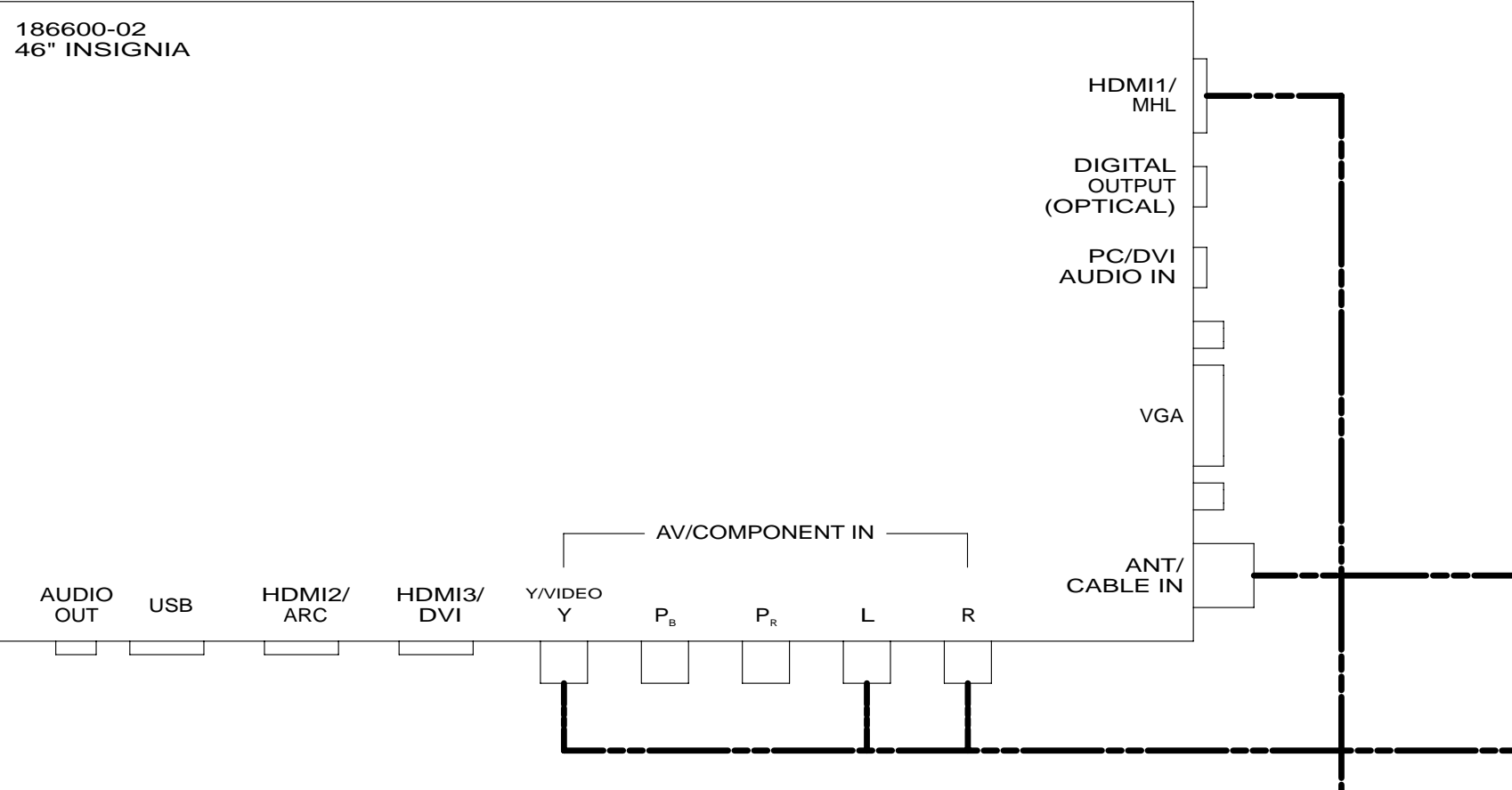
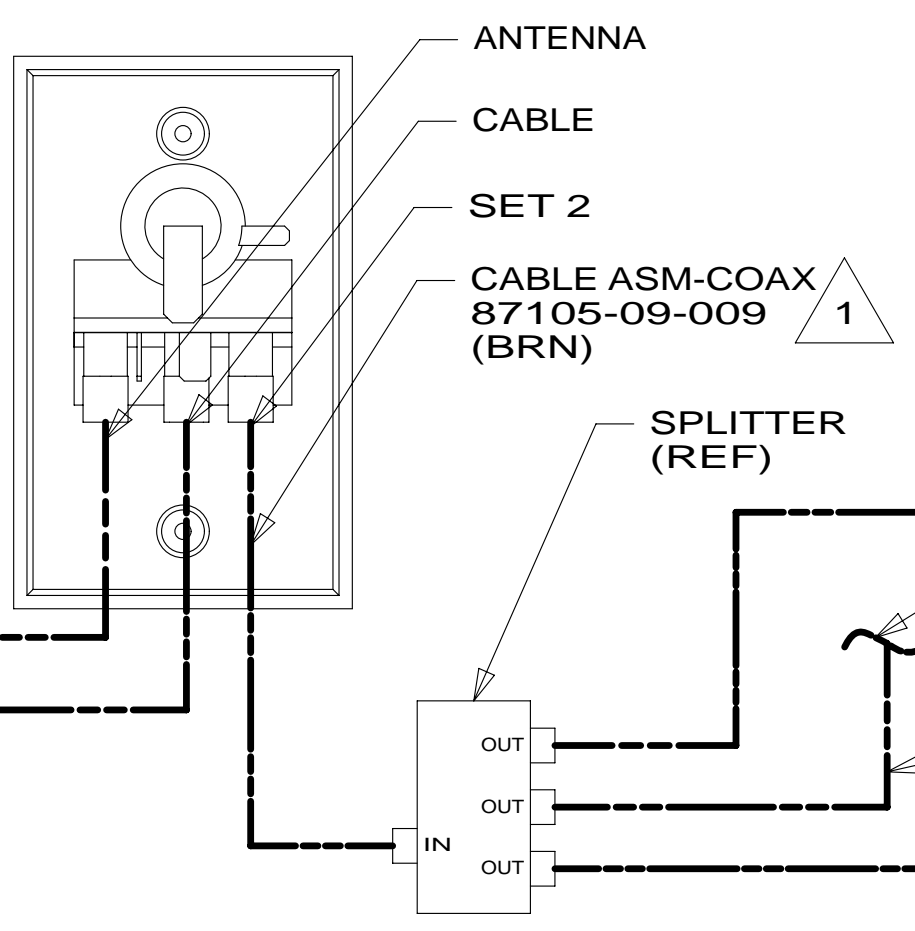
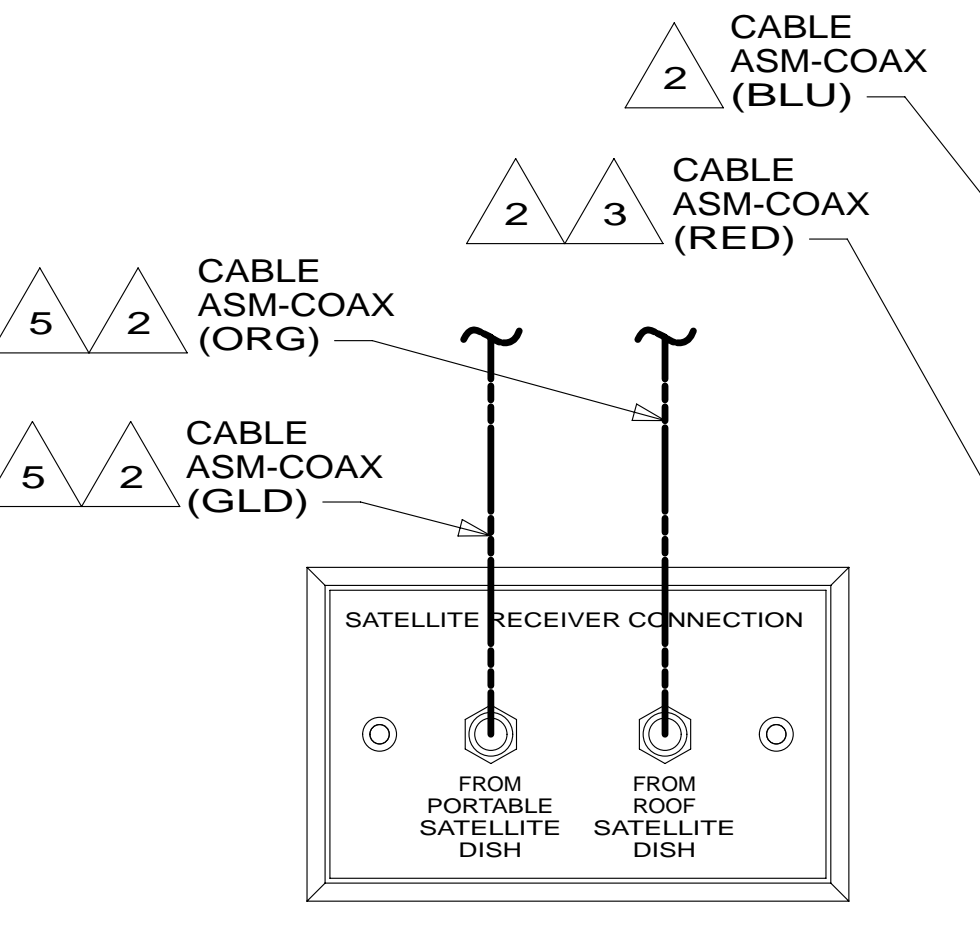
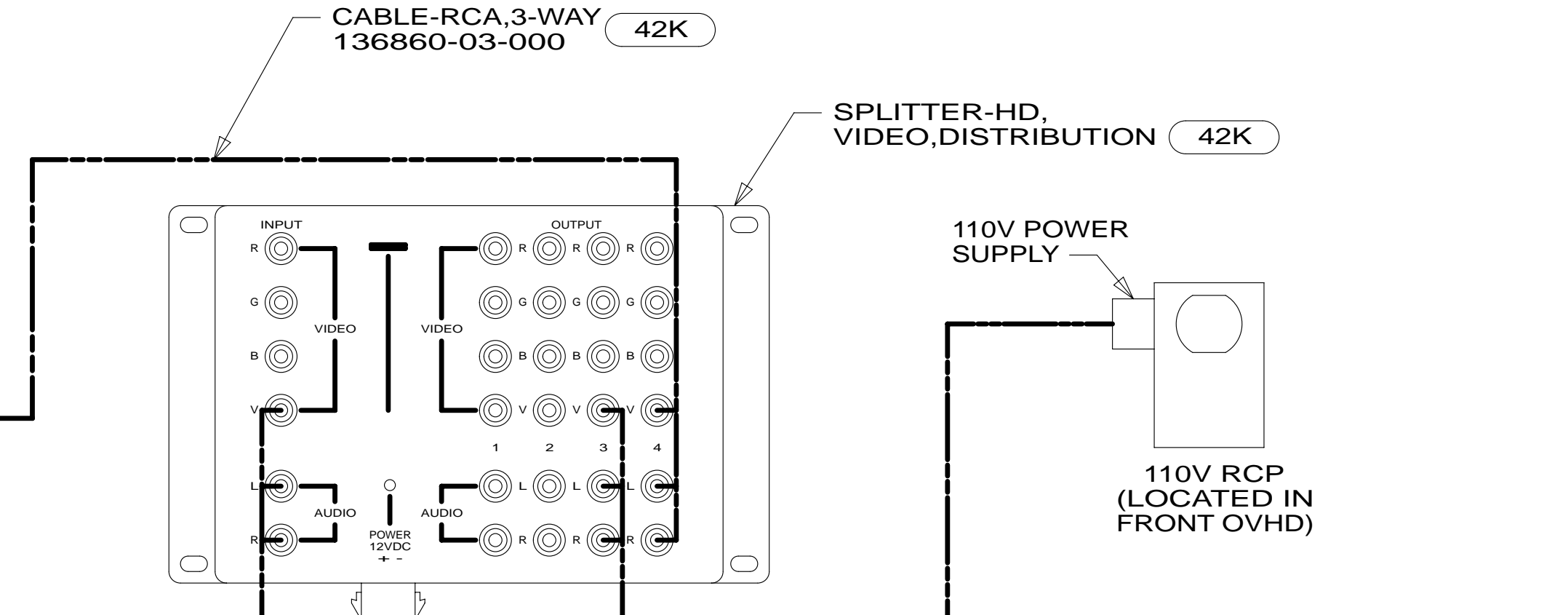
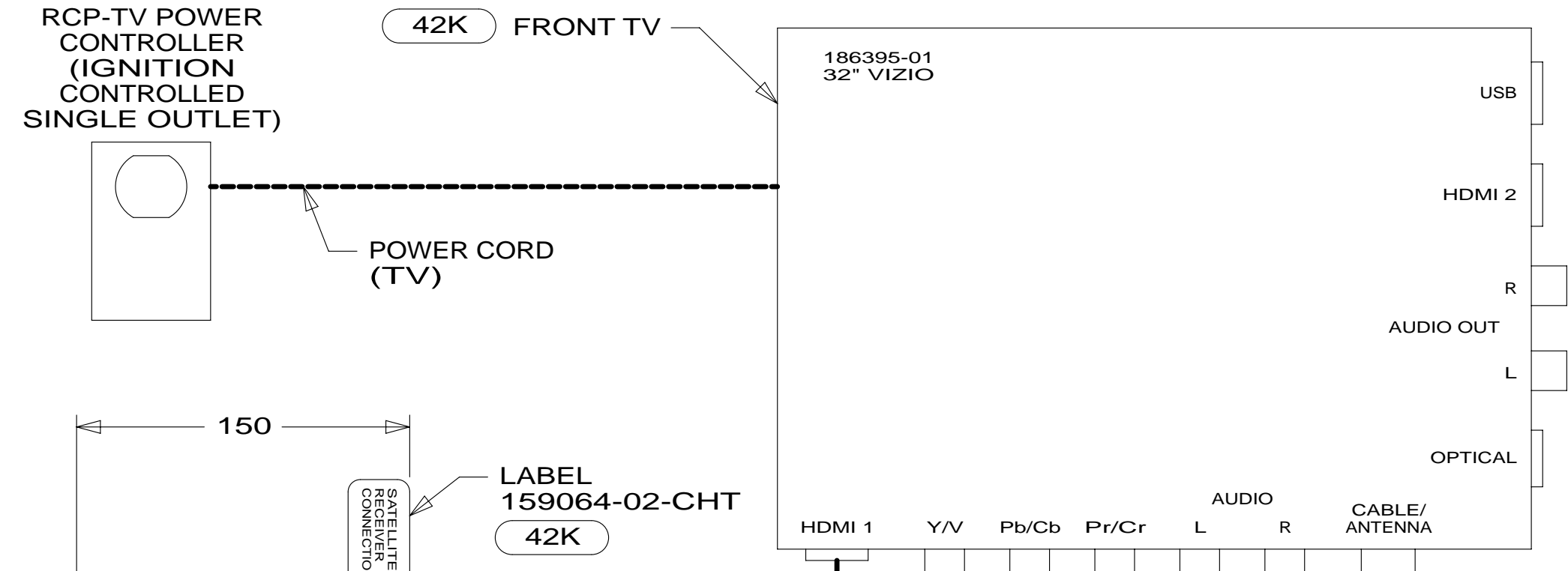
C

B

B

A

A



- NOTES:
- 5 CONNECTED TO THE REAR SIDE OF SATELLITE PREP PLATE, CONNECTION LABELED "FROM ROOF SATELLITE DISH".
 - 4 SEE RADIO INSTL FOR ADDITIONAL INFORMATION.
 - 3 CONNECTED TO THE FRONT SIDE OF SATELLITE PREP PLATE, CONNECTION LABELED "TO SATELLITE RECEIVER OUTPUT".
 - 2 CABLE ROUTED IN ROOF.
 - 1 CONNECTED TO THE REAR SIDE OF SATELLITE PREP PLATE, CONNECTION LABELED "TO SATELLITE RECEIVER OUTPUT".

- 9 COIL CABLE IN SATELLITE PREP AREA.
- 8 TAPE UNUSED YELLOW CIRCUIT BACK TO CABLE ASM.
- 7 CONNECT CABLE-RCA TO RADIO 'AUX INPUT' CONNECTION.
- 6 CABLE IS PART OF WIRE ASM-IP,MAIN.

DETAIL GA

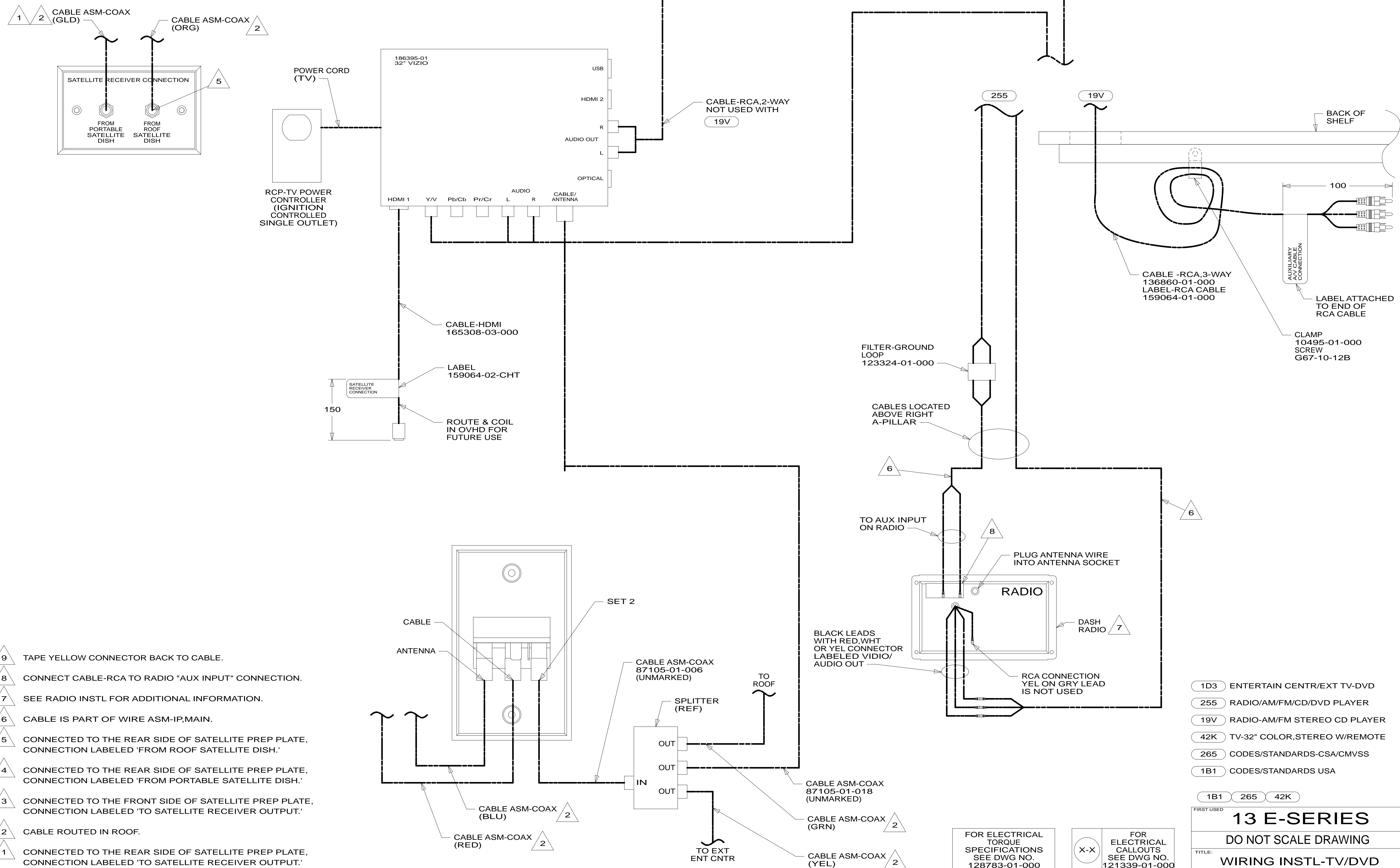
FOR ELECTRICAL TORQUE SPECIFICATIONS SEE DWG NO. 128783-01-000

FOR ELECTRICAL CALLOUTS SEE DWG NO. 121339-01-000

- 42K TV-32" COLOR,STEREO W/REMOTE
- 1H5 TV, FRONT-WITHOUT
- 19V RADIO-AM/FM STEREO CD PLAYER
- 68V TV-46" COLOR,STEREO W/REMOTE
- 265 CODES/STANDARDS-CSA/CMVSS
- 1B1 CODES/STANDARDS USA

1B1	265	68V	19V
FIRST USED			
13 E-SERIES			
DO NOT SCALE DRAWING			
TITLE: WIRING INSTL-TV/DVD			
SHEET 7	PART NO	180921	REV

* 180921



- NOTES:
- 9 TAPE YELLOW CONNECTOR BACK TO CABLE.
 - 8 CONNECT CABLE-RCA TO RADIO "AUX INPUT" CONNECTION.
 - 7 SEE RADIO INSTL FOR ADDITIONAL INFORMATION.
 - 6 CABLE IS PART OF WIRE ASM-IP,MAIN.
 - 5 CONNECTED TO THE REAR SIDE OF SATELLITE PREP PLATE, CONNECTION LABELED 'FROM ROOF SATELLITE DISH.'
 - 4 CONNECTED TO THE REAR SIDE OF SATELLITE PREP PLATE, CONNECTION LABELED 'FROM PORTABLE SATELLITE DISH.'
 - 3 CONNECTED TO THE FRONT SIDE OF SATELLITE PREP PLATE, CONNECTION LABELED 'TO SATELLITE RECEIVER OUTPUT.'
 - 2 CABLE ROUTED IN ROOF.
 - 1 CONNECTED TO THE REAR SIDE OF SATELLITE PREP PLATE, CONNECTION LABELED 'TO SATELLITE RECEIVER OUTPUT.'

- 1D3 ENTERTAIN CNTR/EXT TV-DVD
- 255 RADIO/AM/FM/CD/DVD PLAYER
- 19V RADIO-AM/FM STEREO CD PLAYER
- 42K TV-32" COLOR,STEREO W/REMOTE
- 265 CODES/STANDARDS-CSA/CMVSS
- 1B1 CODES/STANDARDS USA

FIRST USED

13 E-SERIES

DO NOT SCALE DRAWING

TITLE: **WIRING INSTL-TV/DVD**

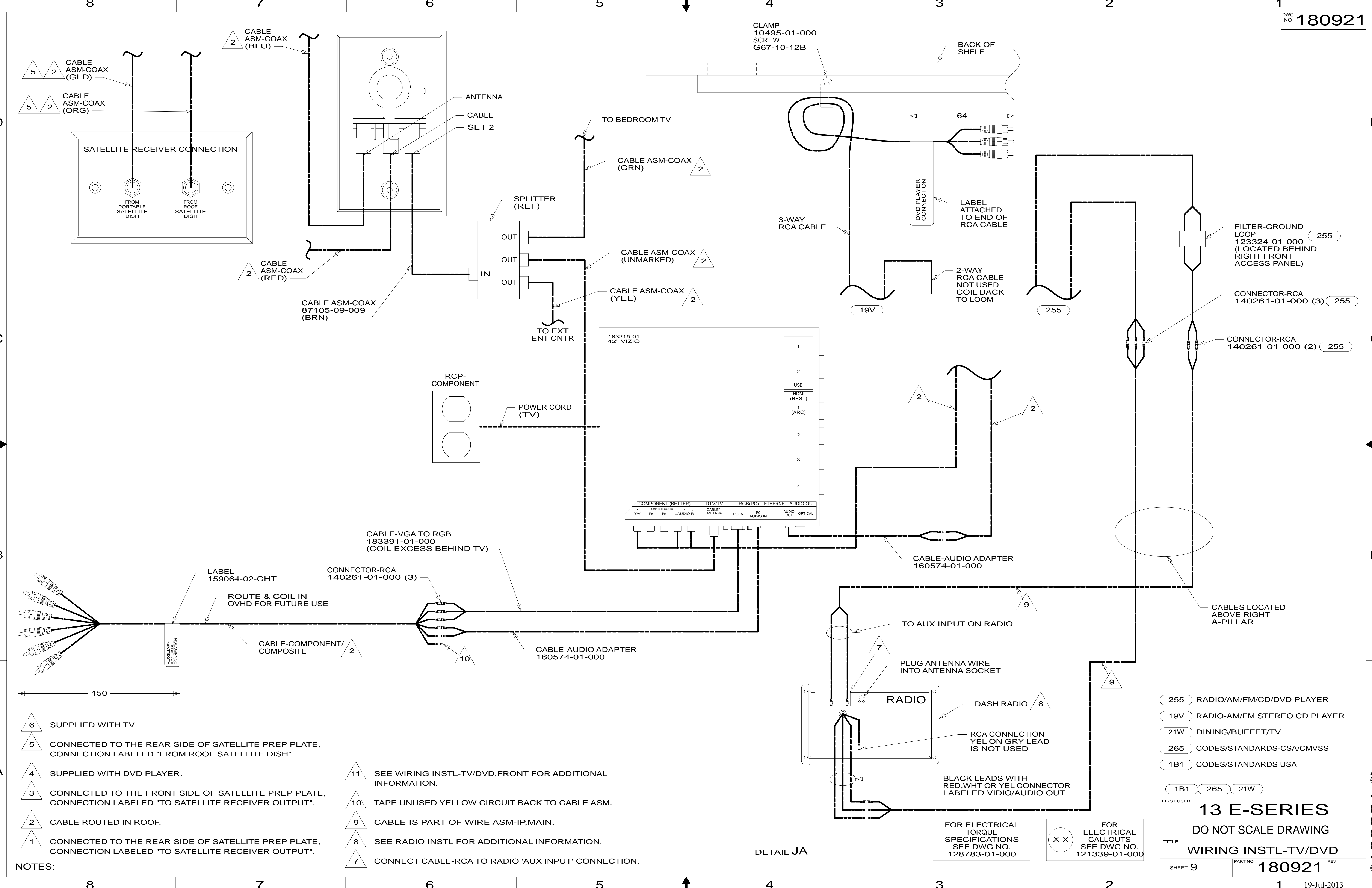
SHEET 8 PART NO **180921** REV

19-Jul-2013

FOR ELECTRICAL TORQUE SPECIFICATIONS SEE DWG NO. 128783-01-000

FOR ELECTRICAL CALLOUTS SEE DWG NO. 121339-01-000

* 180921 A *



- NOTES:
- △ 6 SUPPLIED WITH TV
 - △ 5 CONNECTED TO THE REAR SIDE OF SATELLITE PREP PLATE, CONNECTION LABELED "FROM ROOF SATELLITE DISH".
 - △ 4 SUPPLIED WITH DVD PLAYER.
 - △ 3 CONNECTED TO THE FRONT SIDE OF SATELLITE PREP PLATE, CONNECTION LABELED "TO SATELLITE RECEIVER OUTPUT".
 - △ 2 CABLE ROUTED IN ROOF.
 - △ 1 CONNECTED TO THE REAR SIDE OF SATELLITE PREP PLATE, CONNECTION LABELED "TO SATELLITE RECEIVER OUTPUT".

- △ 11 SEE WIRING INSTL-TV/DVD,FRONT FOR ADDITIONAL INFORMATION.
- △ 10 TAPE UNUSED YELLOW CIRCUIT BACK TO CABLE ASM.
- △ 9 CABLE IS PART OF WIRE ASM-IP,MAIN.
- △ 8 SEE RADIO INSTL FOR ADDITIONAL INFORMATION.
- △ 7 CONNECT CABLE-RCA TO RADIO 'AUX INPUT' CONNECTION.

- 255 RADIO/AM/FM/CD/DVD PLAYER
- 19V RADIO-AM/FM STEREO CD PLAYER
- 21W DINING/BUFFET/TV
- 265 CODES/STANDARDS-CSA/CMVSS
- 1B1 CODES/STANDARDS USA

FIRST USED

13 E-SERIES

DO NOT SCALE DRAWING

TITLE: **WIRING INSTL-TV/DVD**

SHEET 9 PART NO **180921** REV

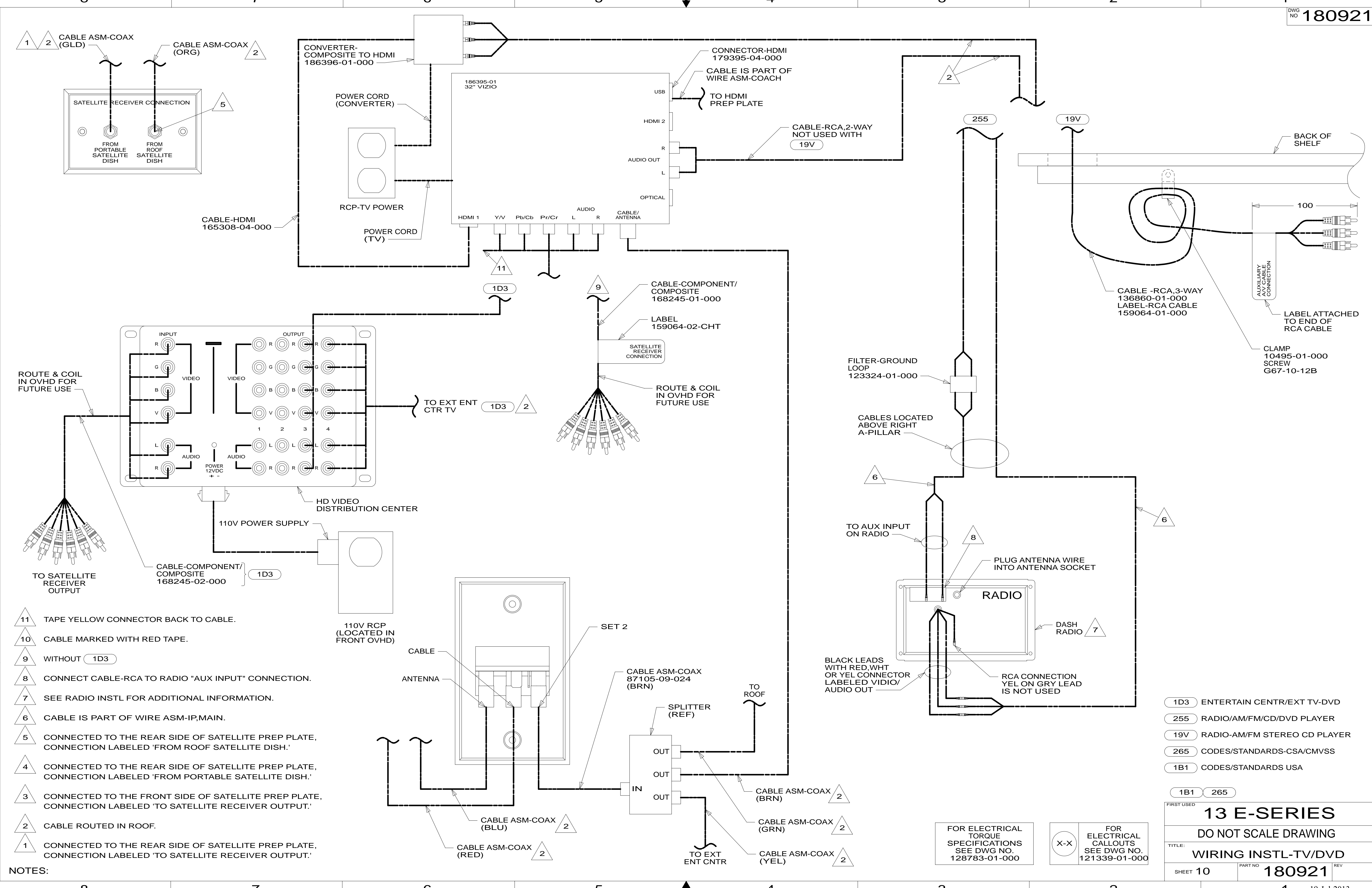
19-Jul-2013

FOR ELECTRICAL TORQUE SPECIFICATIONS SEE DWG NO. 128783-01-000

FOR ELECTRICAL CALLOUTS SEE DWG NO. 121339-01-000

DETAIL JA

* 180921 A *



- NOTES:
- 11 TAPE YELLOW CONNECTOR BACK TO CABLE.
 - 10 CABLE MARKED WITH RED TAPE.
 - 9 WITHOUT 1D3
 - 8 CONNECT CABLE-RCA TO RADIO "AUX INPUT" CONNECTION.
 - 7 SEE RADIO INSTL FOR ADDITIONAL INFORMATION.
 - 6 CABLE IS PART OF WIRE ASM-IP,MAIN.
 - 5 CONNECTED TO THE REAR SIDE OF SATELLITE PREP PLATE, CONNECTION LABELED 'FROM ROOF SATELLITE DISH.'
 - 4 CONNECTED TO THE REAR SIDE OF SATELLITE PREP PLATE, CONNECTION LABELED 'FROM PORTABLE SATELLITE DISH.'
 - 3 CONNECTED TO THE FRONT SIDE OF SATELLITE PREP PLATE, CONNECTION LABELED 'TO SATELLITE RECEIVER OUTPUT.'
 - 2 CABLE ROUTED IN ROOF.
 - 1 CONNECTED TO THE REAR SIDE OF SATELLITE PREP PLATE, CONNECTION LABELED 'TO SATELLITE RECEIVER OUTPUT.'

- 1D3 ENTERTAIN CENTR/EXT TV-DVD
- 255 RADIO/AM/FM/CD/DVD PLAYER
- 19V RADIO-AM/FM STEREO CD PLAYER
- 265 CODES/STANDARDS-CSA/CMVSS
- 1B1 CODES/STANDARDS USA

FOR ELECTRICAL TORQUE SPECIFICATIONS SEE DWG NO. 128783-01-000

FOR ELECTRICAL CALLOUTS SEE DWG NO. 121339-01-000

FIRST USED

13 E-SERIES

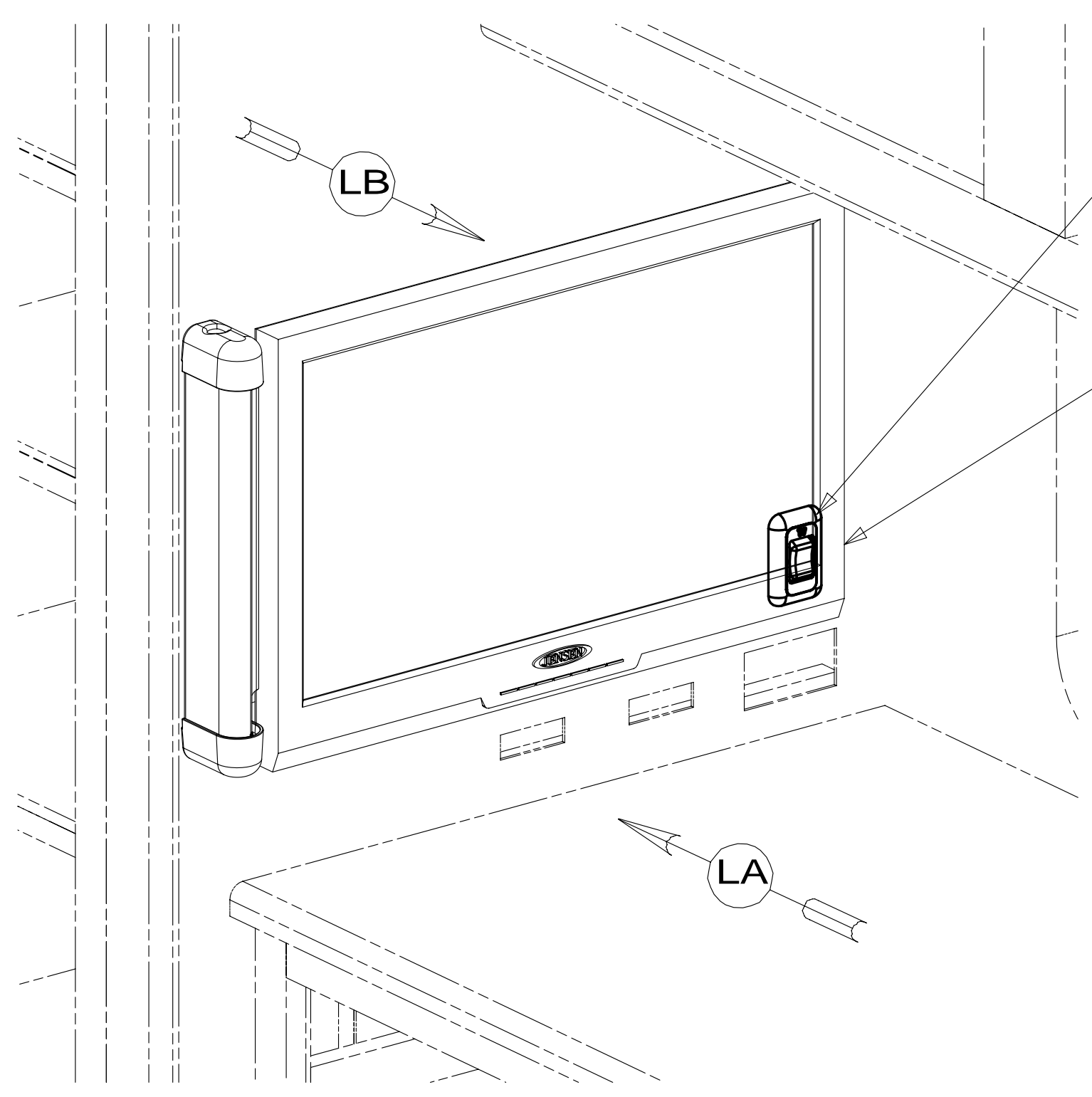
DO NOT SCALE DRAWING

TITLE: WIRING INSTL-TV/DVD

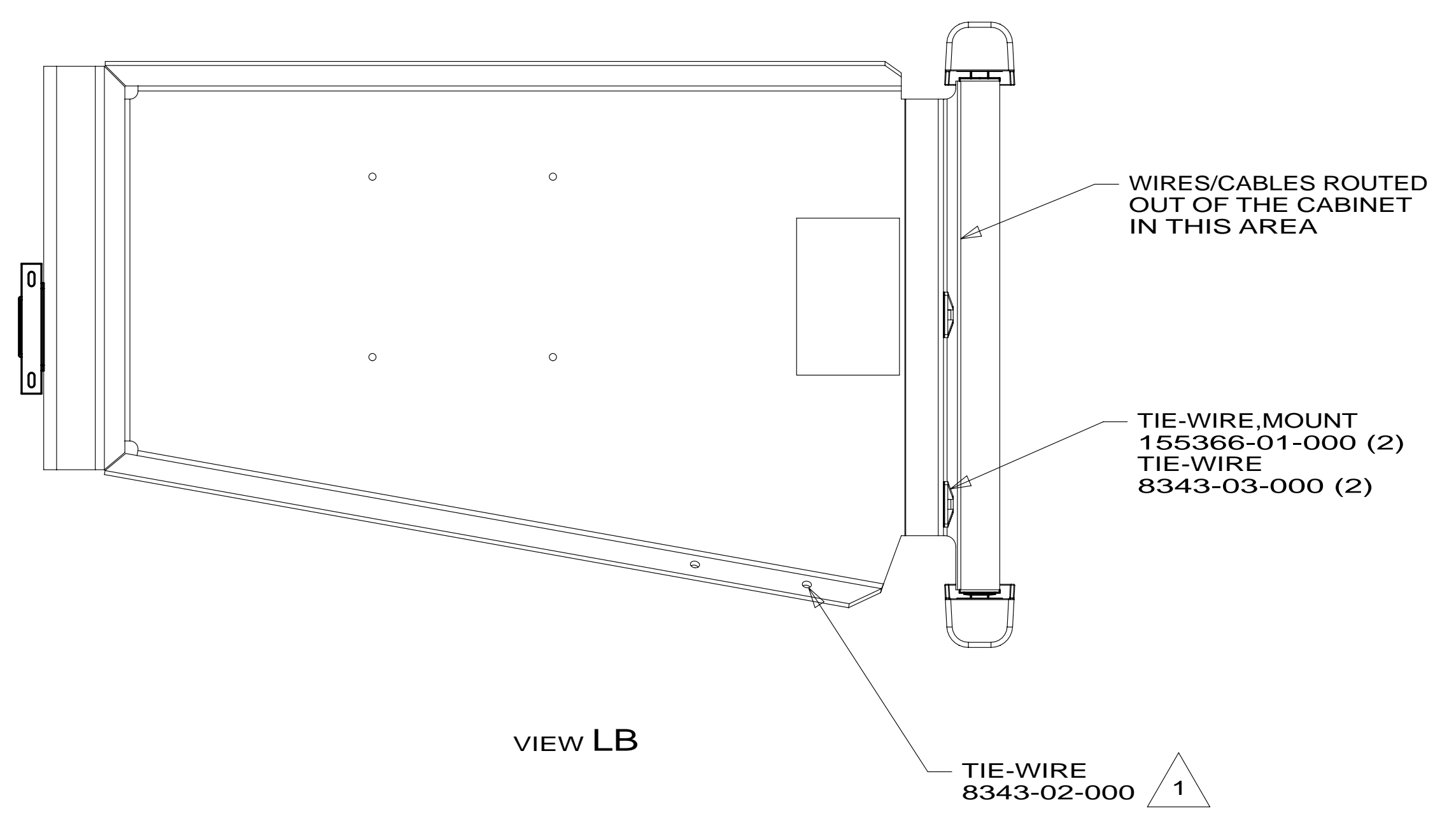
SHEET 10 PART NO 180921 REV

19-Jul-2013

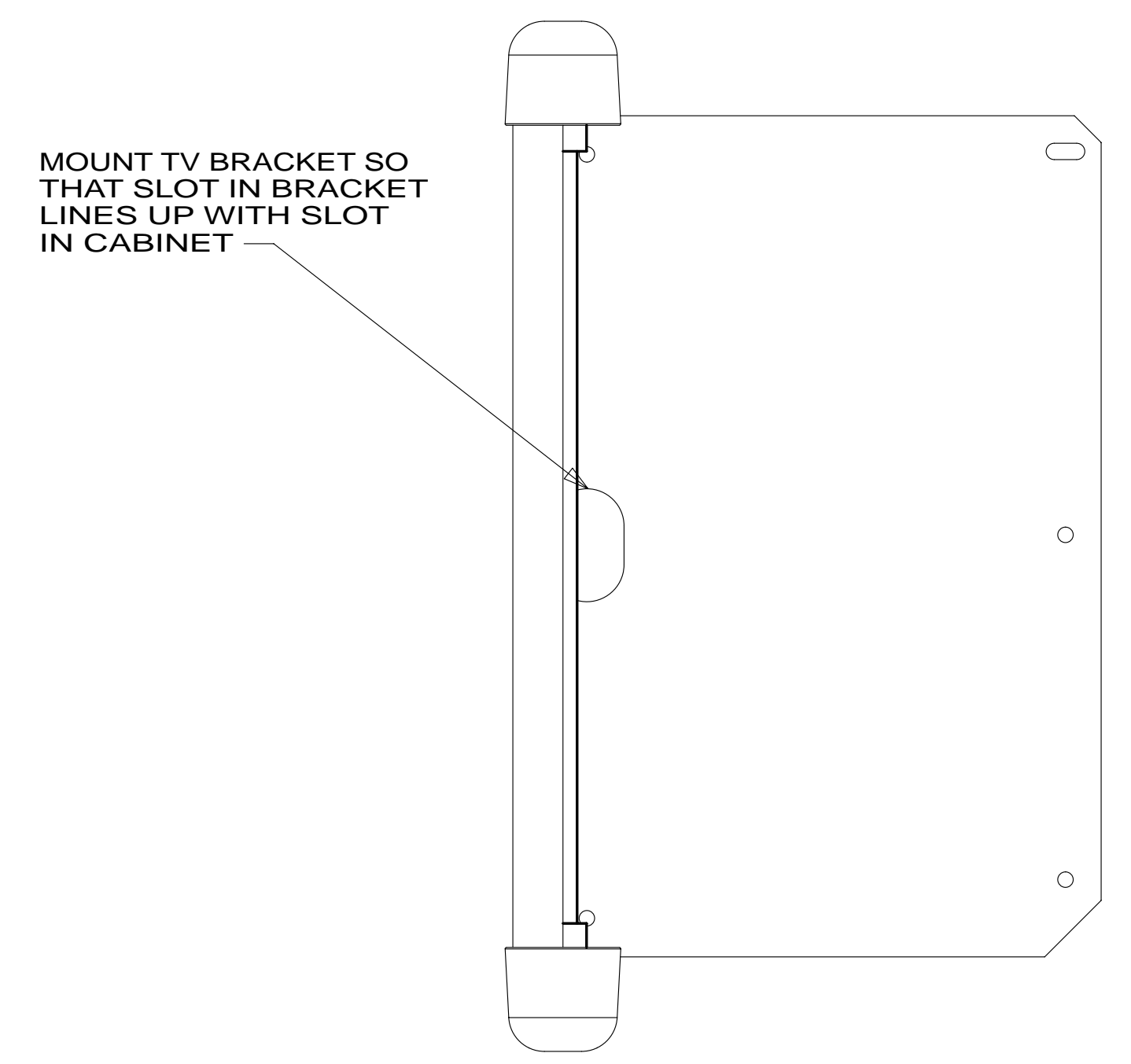
* 180921 A *



- SWITCH-ROCKER
135740-01-CHT
- SWITCH-BASE
135741-01-CHT
- SWITCH-BEZEL
135742-45-CHT
- SCREW
G11-08-08U(2)
- TV-22",STEREO LCD 12V
180602-01-000
- BRACKET ASM-MOUNT,TV
180760-01-XXX
- SCREW
G39-10-16U (5)
- WIRE ASM-TV EXTENSION
165275-01-000
- DC POWER ADAPTOR
170909-02-000



VIEW LB



VIEW LA

1 USE HOLES IN BRACKET ASM-MOUNT,TV TO ATTACH WIRE ASM TO BRACKET ASM-MOUNT,TV WITH WIRE TIES.

NOTES:

FOR ELECTRICAL TORQUE SPECIFICATIONS SEE DWG NO. 128783-01-000

FOR ELECTRICAL CALLOUTS SEE DWG NO. 121339-01-000

- 68B TV (REAR)DC 22" LCD W/REMOTE
- 265 CODES/STANDARDS-CSA/CMVSS
- 1B1 CODES/STANDARDS USA

1B1 265 68B

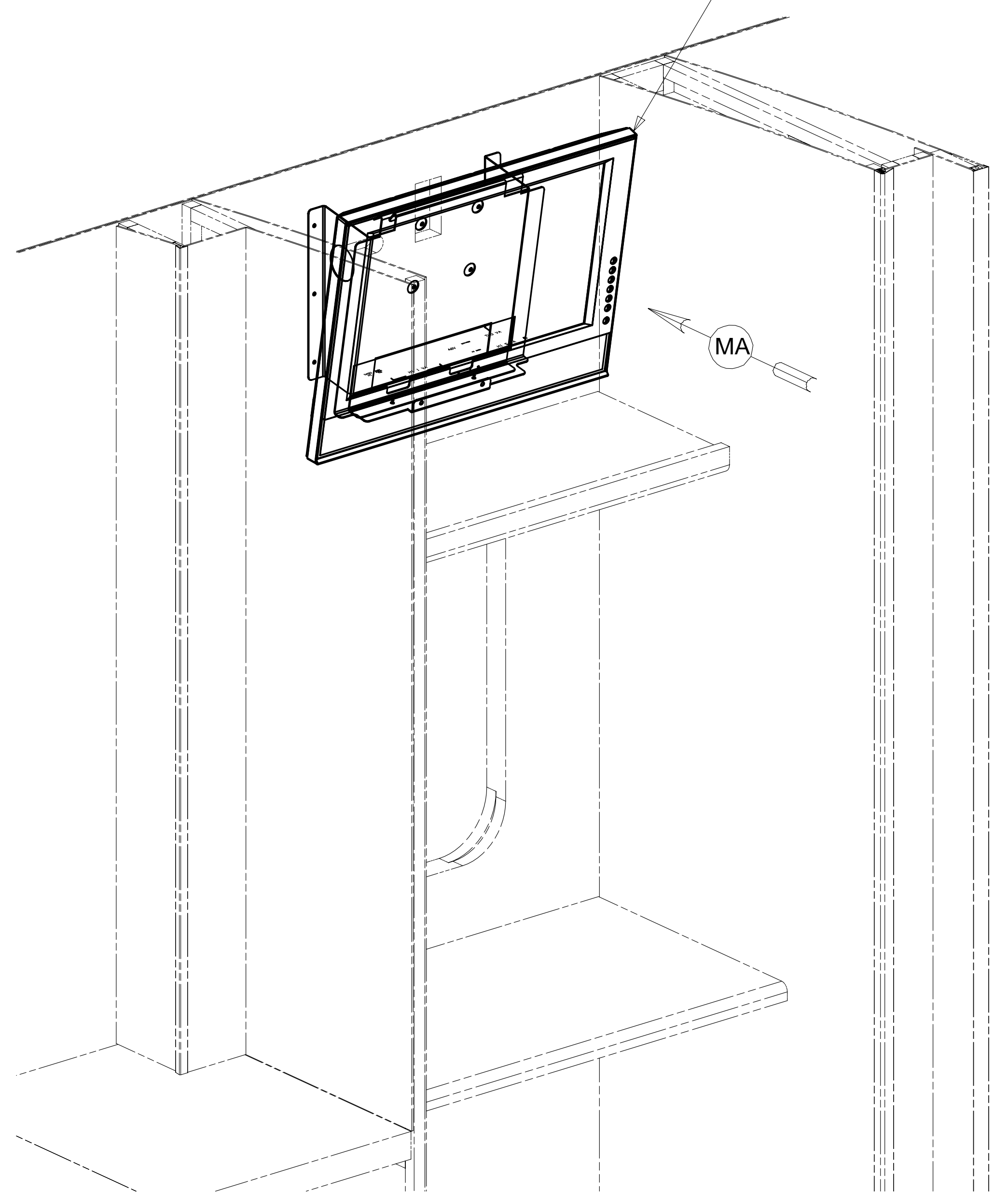
FIRST USED 13 E-SERIES

DO NOT SCALE DRAWING

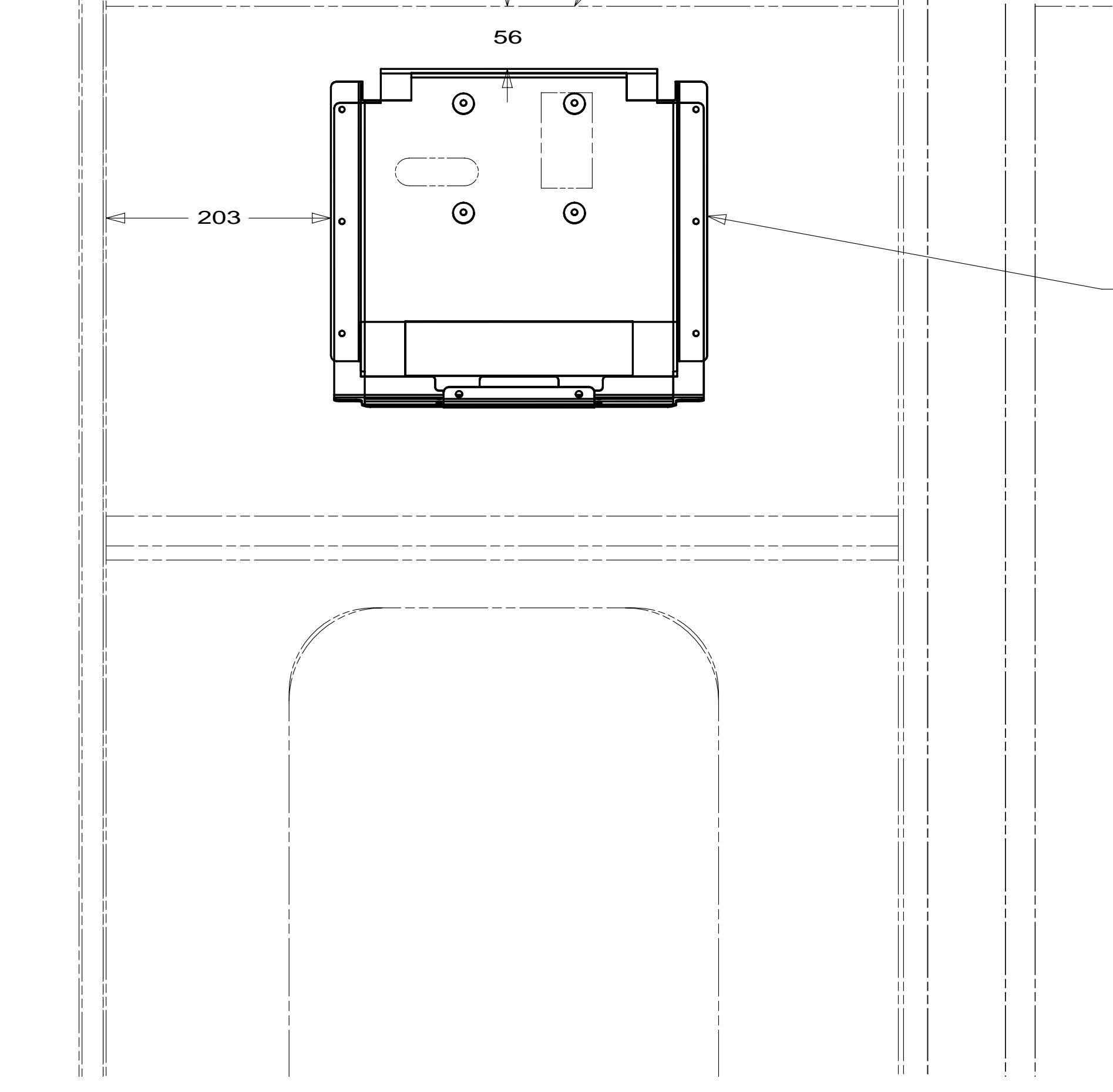
TITLE: WIRING INSTL-TV/DVD

SHEET 11 PART NO 180921 REV

TV-19", STEREO LCD 12V
 170909-05-000
 PLATE-MOUNTING, TV
 162935-08-CHT



CABINET ASM-WARDROBE (REF)
 SIDEWALL ASM-LEFT (REF)
 CABINET ASM-SHOWER (REF)



SUPPORT-MOUNTING, TV
 162934-08-CHT
 GROMMET
 114208-05-000

VIEW MA
 (TV NOT SHOWN)

- 1JU TV (REAR)-19"COLOR, STEREO
- 265 CODES/STANDARDS-CSA/CMVSS
- 1B1 CODES/STANDARDS USA

1B1 265 1JU

13 E-SERIES

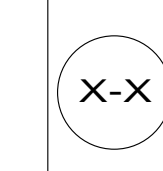
DO NOT SCALE DRAWING

TITLE: **WIRING INSTL-TV/DVD**

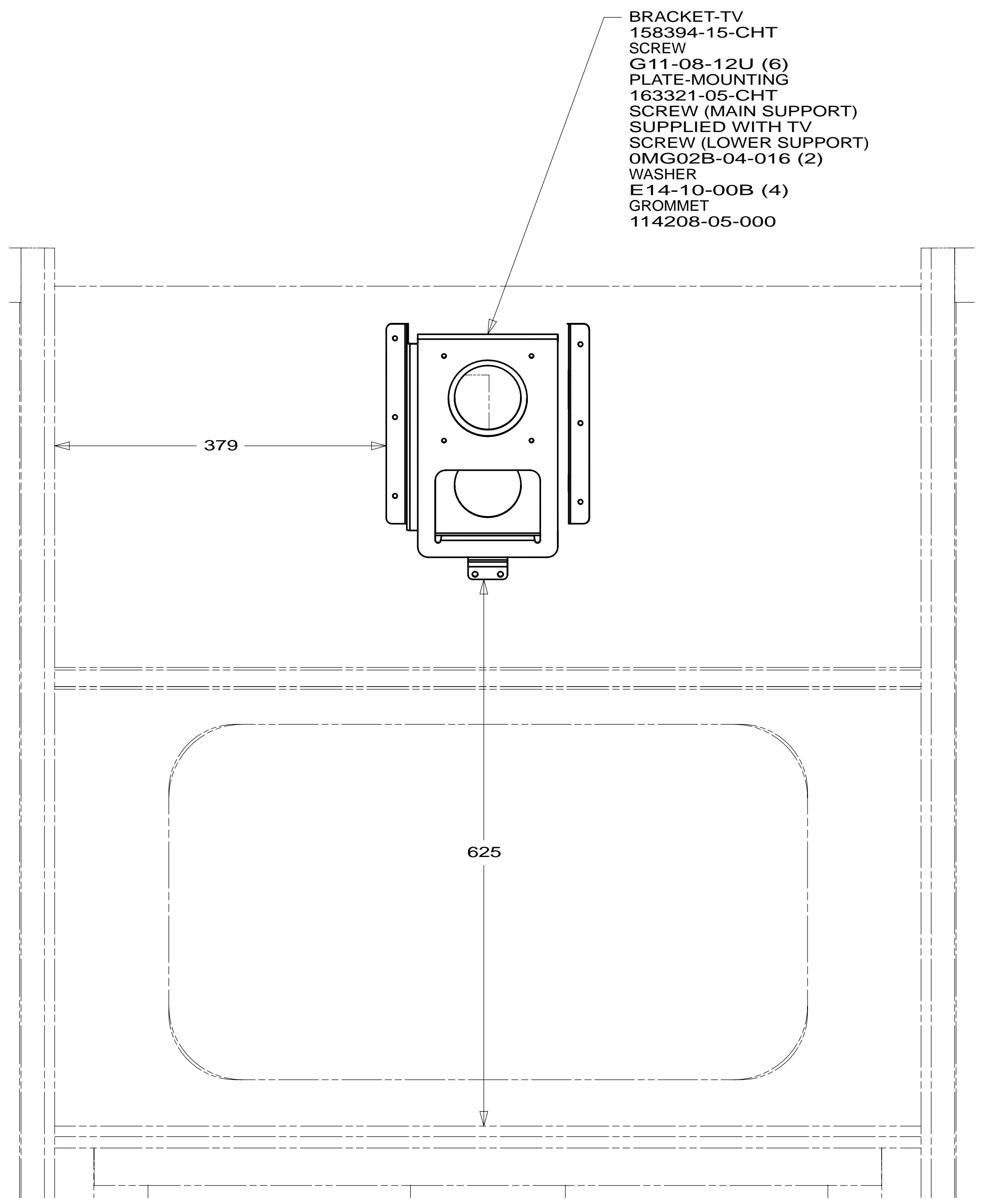
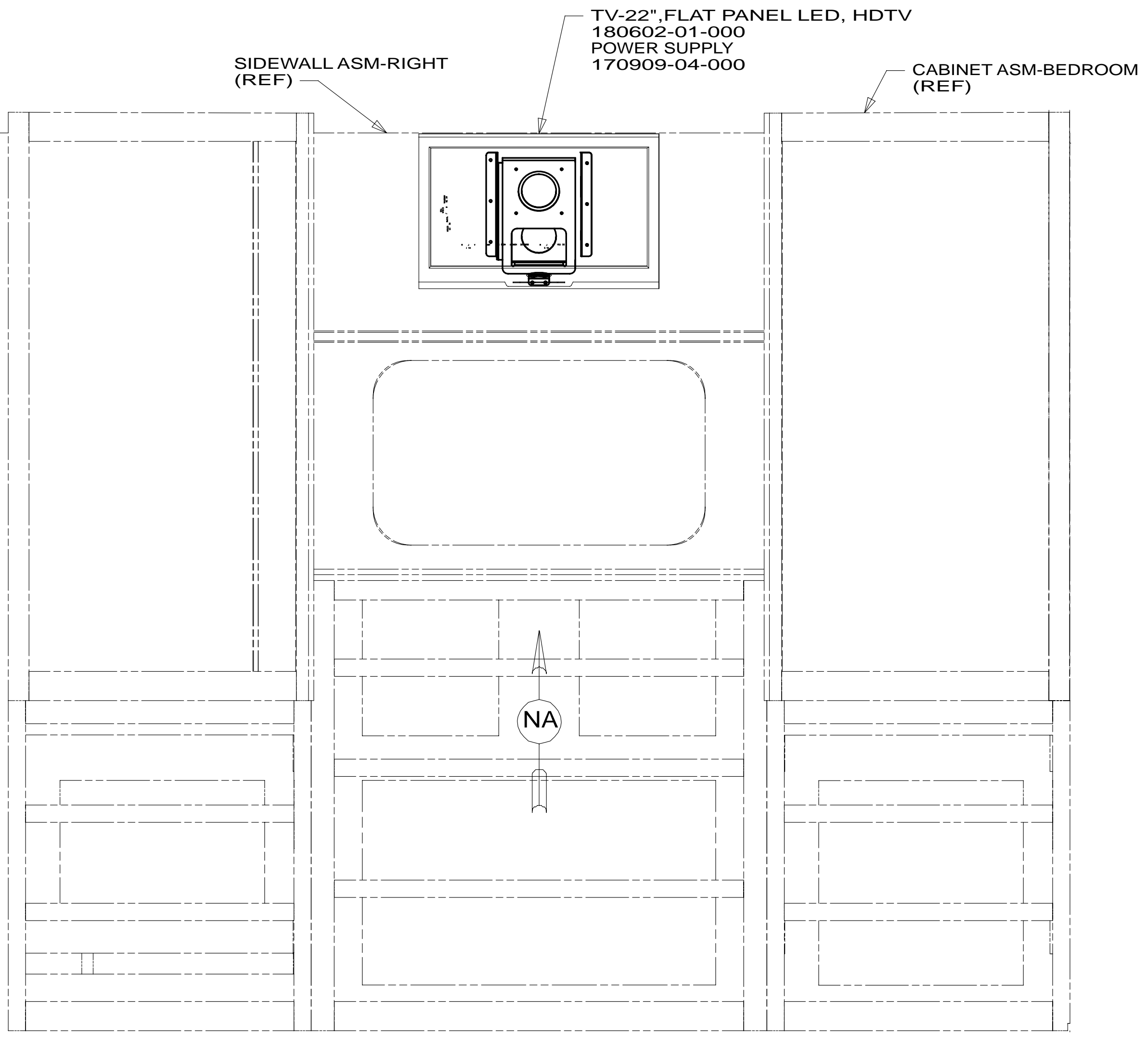
SHEET 12 PART NO **180921** REV

FOR ELECTRICAL TORQUE SPECIFICATIONS SEE DWG NO. 128783-01-000

FOR ELECTRICAL CALLOUTS SEE DWG NO. 121339-01-000



* 180921 A *



VIEW NA
(TV NOT SHOWN)

- 68B TV (REAR)DC 22" LCD W/REMOTE
- 265 CODES/STANDARDS-CSA/CMVSS
- 1B1 CODES/STANDARDS USA

1B1 265 68B

FIRST USED **13 E-SERIES**

DO NOT SCALE DRAWING

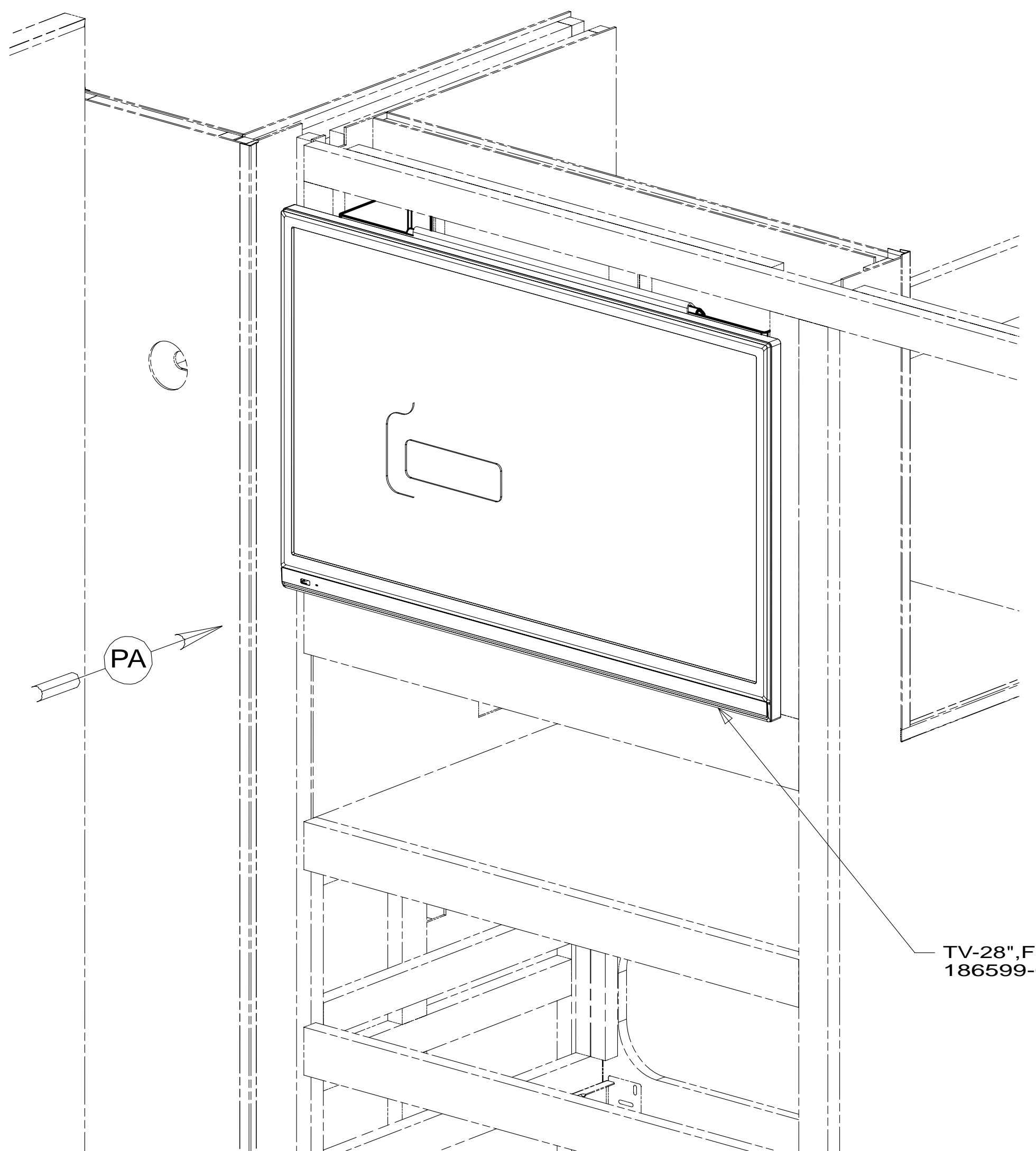
TITLE: **WIRING INSTL-TV/DVD**

SHEET 13 PART NO **180921** REV

FOR ELECTRICAL TORQUE SPECIFICATIONS SEE DWG NO. 128783-01-000

FOR ELECTRICAL CALLOUTS SEE DWG NO. 121339-01-000

A * 180921



TV-28",FLAT PANEL-LED HDTV
186599-01-000

SUPPORT-MOUNTING,TV
166615-05-CHT
SCREW
000G11-08-12U (6)
GROMMET
114208-05-000

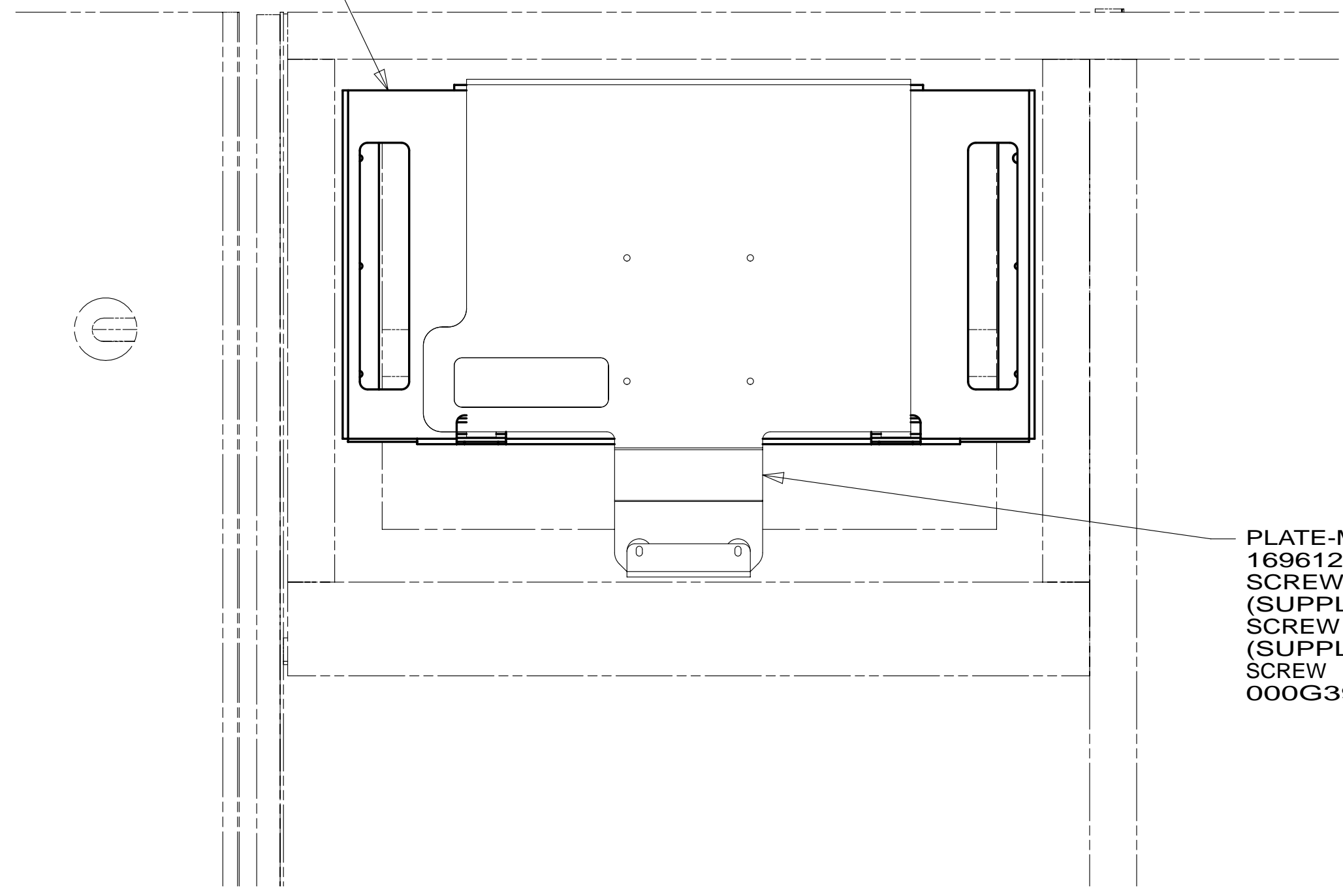


PLATE-MOUNTING,TV
169612-37-CHT
SCREW (MAIN SUPPORT)
(SUPPLIED W/TV)
SCREW (LOWER SUPPORT)
(SUPPLIED W/TV)
SCREW
000G39-08-12U (2)

VIEW PA

- 61M TV(REAR)-28" COLOR STEREO
- 265 CODES/STANDARDS-CSA/CMVSS
- 1B1 CODES/STANDARDS USA

1B1 265 61M

FIRST USED
13 E-SERIES

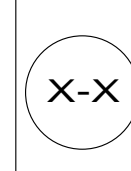
DO NOT SCALE DRAWING

TITLE:
WIRING INSTL-TV/DVD

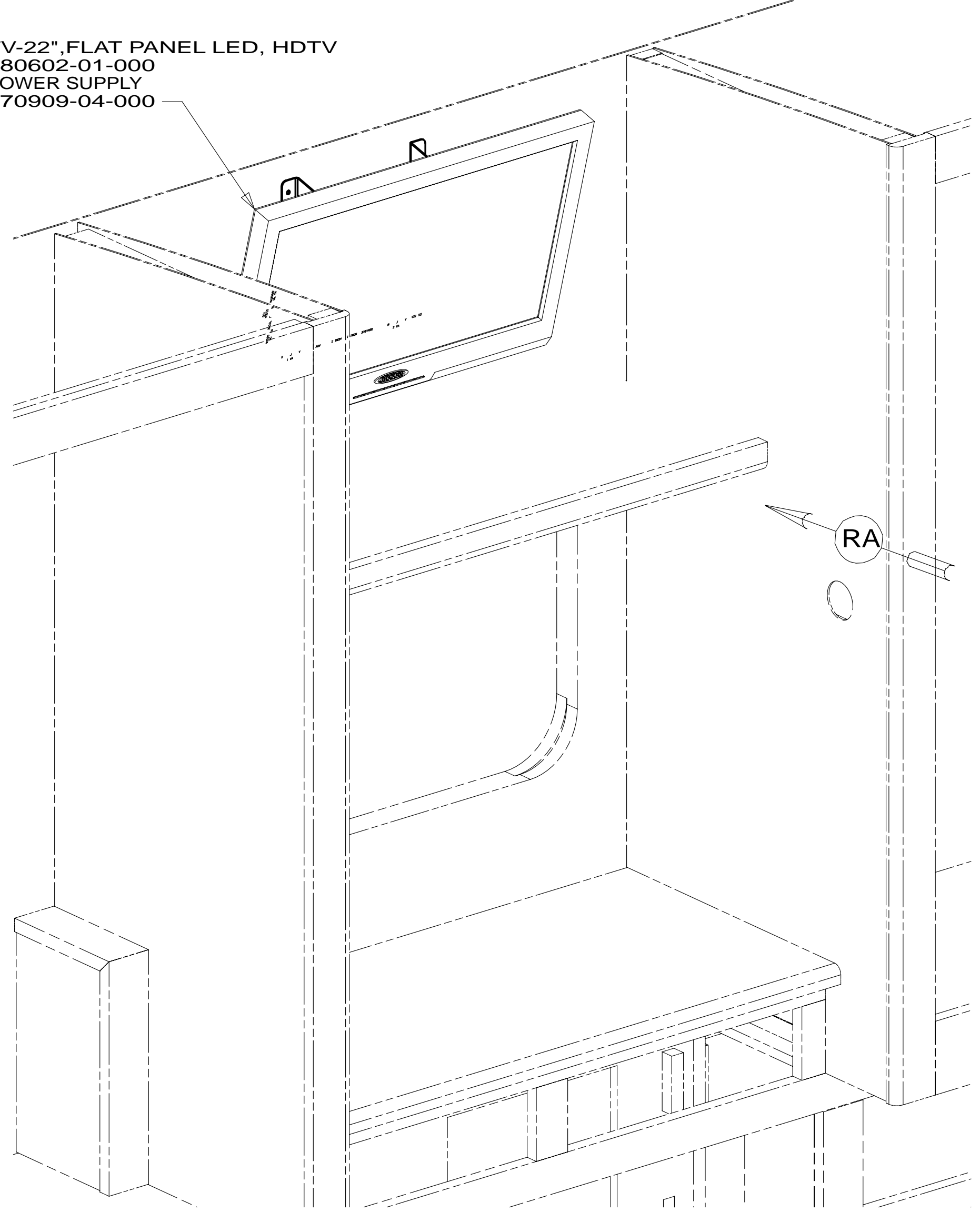
SHEET 14 PART NO **180921** REV

FOR ELECTRICAL
TORQUE
SPECIFICATIONS
SEE DWG NO.
128783-01-000

FOR
ELECTRICAL
CALLOUTS
SEE DWG NO.
121339-01-000

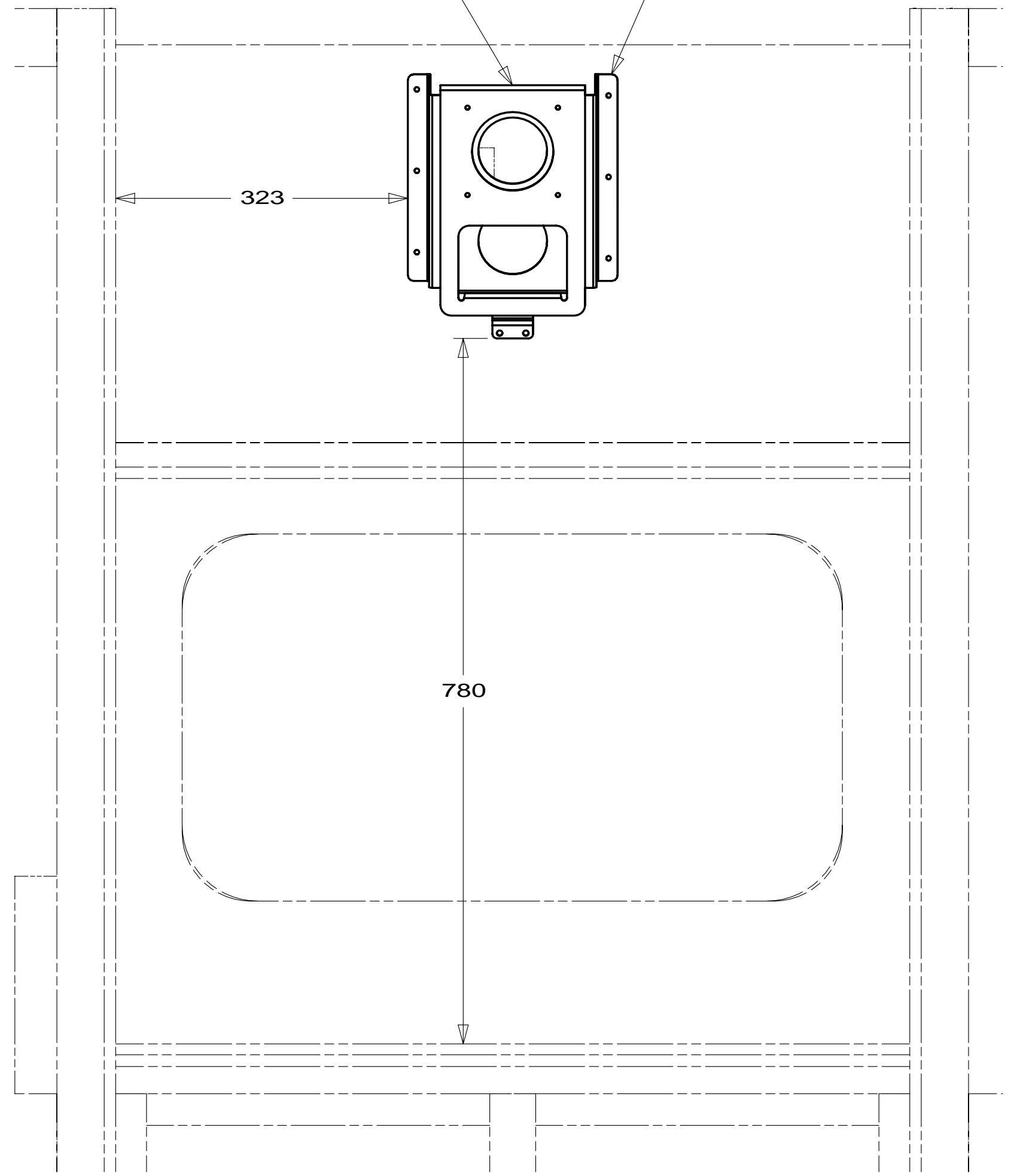


TV-22", FLAT PANEL LED, HDTV
180602-01-000
POWER SUPPLY
170909-04-000



BRACKET-MOUNTING,TV
163321-05-CHT
SCREW (MAIN SUPPORT)
SUPPLIED WITH TV
SCREW (LOWER SUPPORT)
OMG02B-04-016 (2)
WASHER
E14-10-00B (4)

BRACKET-TV
158394-15-CHT
SCREW
G11-08-12U (6)
GROMMET
114208-05-000



VIEW RA

- 68B TV (REAR)DC 22" LCD W/REMOTE
- 265 CODES/STANDARDS-CSA/CMVSS
- 1B1 CODES/STANDARDS USA

1B1 265 68B

FIRST USED
13 E-SERIES

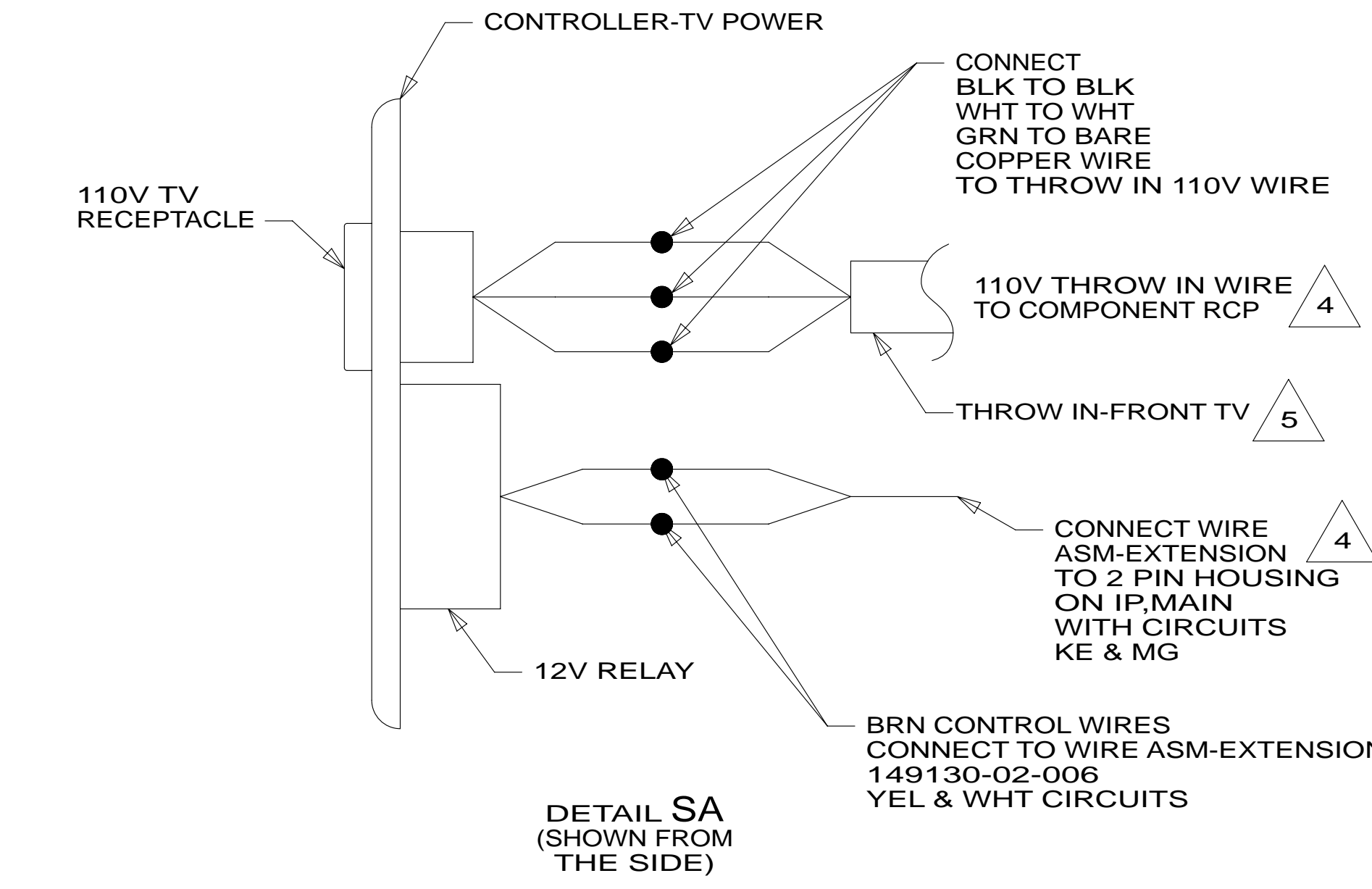
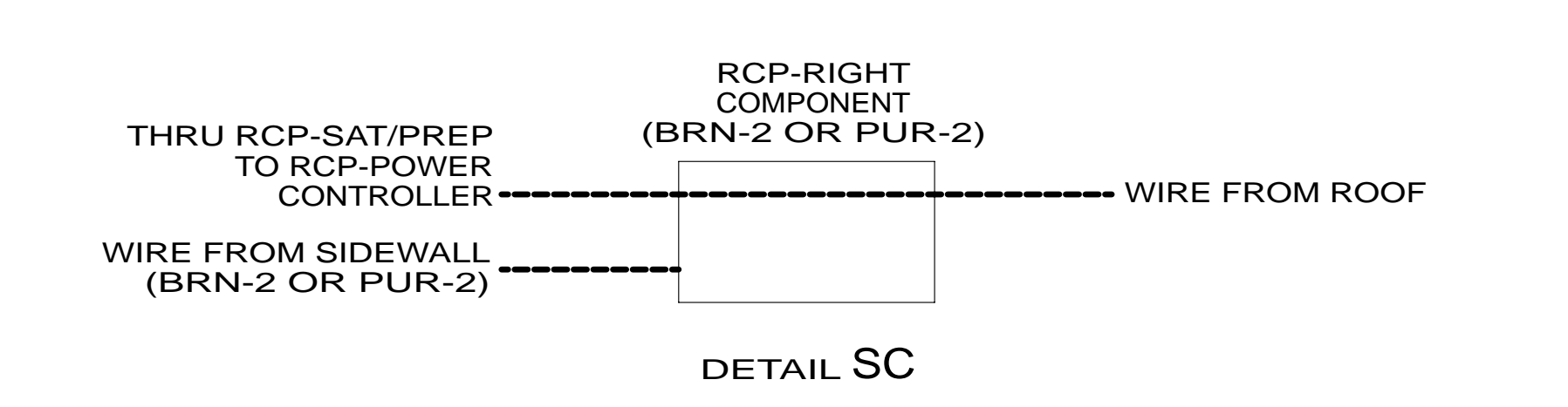
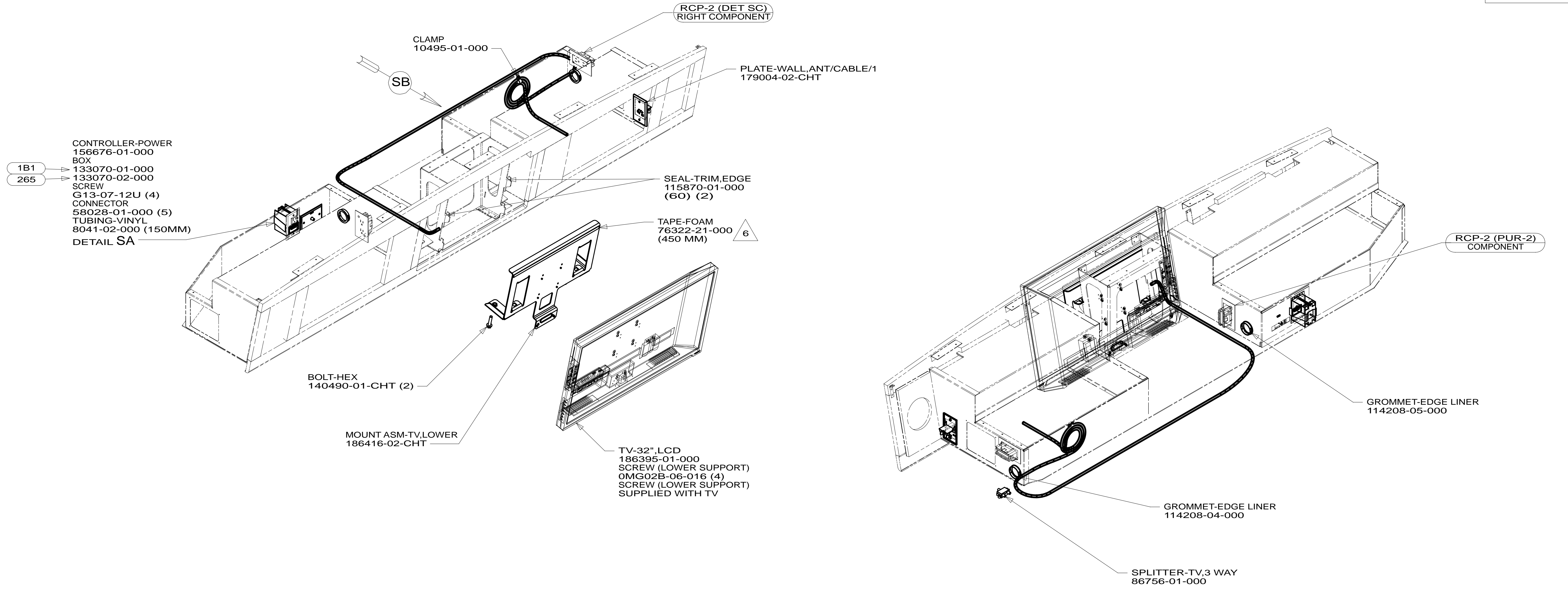
DO NOT SCALE DRAWING

TITLE:
WIRING INSTL-TV/DVD

SHEET 15 PART NO **180921** REV

FOR ELECTRICAL
TORQUE
SPECIFICATIONS
SEE DWG NO.
128783-01-000

X-X
FOR
ELECTRICAL
CALLOUTS
SEE DWG NO.
121339-01-000



- 6 PREP SURFACE WITH 87211-01-000.
- 5 SEE 110V LOAD CENTER ASM FOR ADDITIONAL INFORMATION.
- 4 ROUTE 110V AND 12V WIRES IN OPPOSITE ENDS OF ELECTRICAL BOX.

3. WHERE WIRES PASS THROUGH HOLES IN STEEL AND NOT OTHERWISE PROTECTED, USE GROMMET 92908-02-000.
2. ALL WIRES TO BE SECURED WITH CLAMP 10495-01-000 OR CLIP 80734-01-000 EVERY 600MM. USE SCREW G67-10-12B UNLESS OTHERWISE SPECIFIED.
1. 110V WIRE TO BE CLAMPED WITH CLAMP 10497-05-000 WITHIN 200MM OF OUTLET BOXES, USE SCREW G67-10-12B.

NOTES:

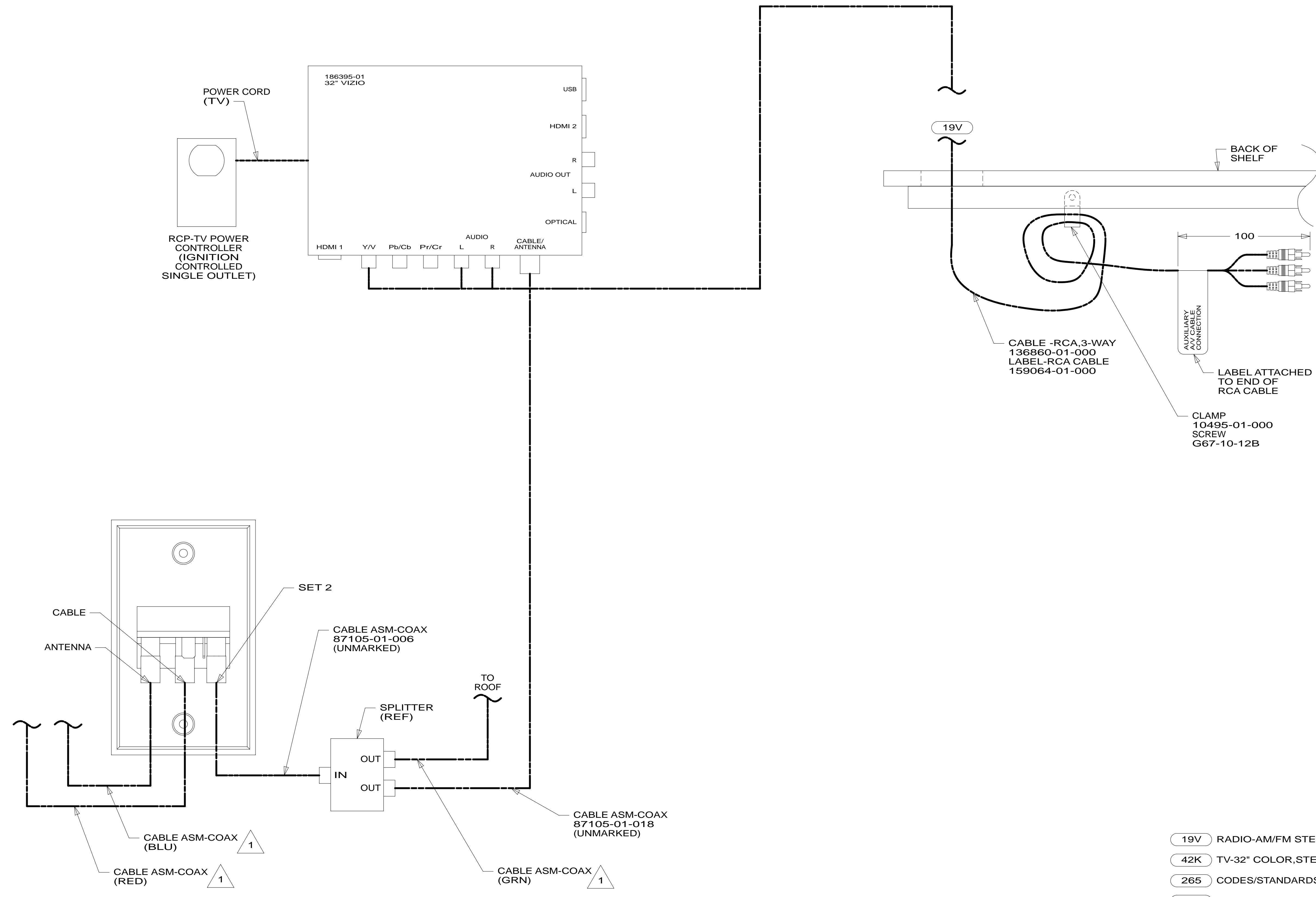
FOR ELECTRICAL TORQUE SPECIFICATIONS SEE DWG NO. 128783-01-000

FOR ELECTRICAL CALLOUTS SEE DWG NO. 121339-01-000

- 42K TV-32" COLOR, STEREO W/REMOTE
- 265 CODES/STANDARDS-CSA/CMVSS
- 1B1 CODES/STANDARDS USA

FIRST USED	
13 E-SERIES	
DO NOT SCALE DRAWING	
TITLE: WIRING INSTL-TV/DVD	
SHEET 16	PART NO 180921 REV
19-Jul-2013	

* 180921



1 CABLE ROUTED IN ROOF.

NOTES:

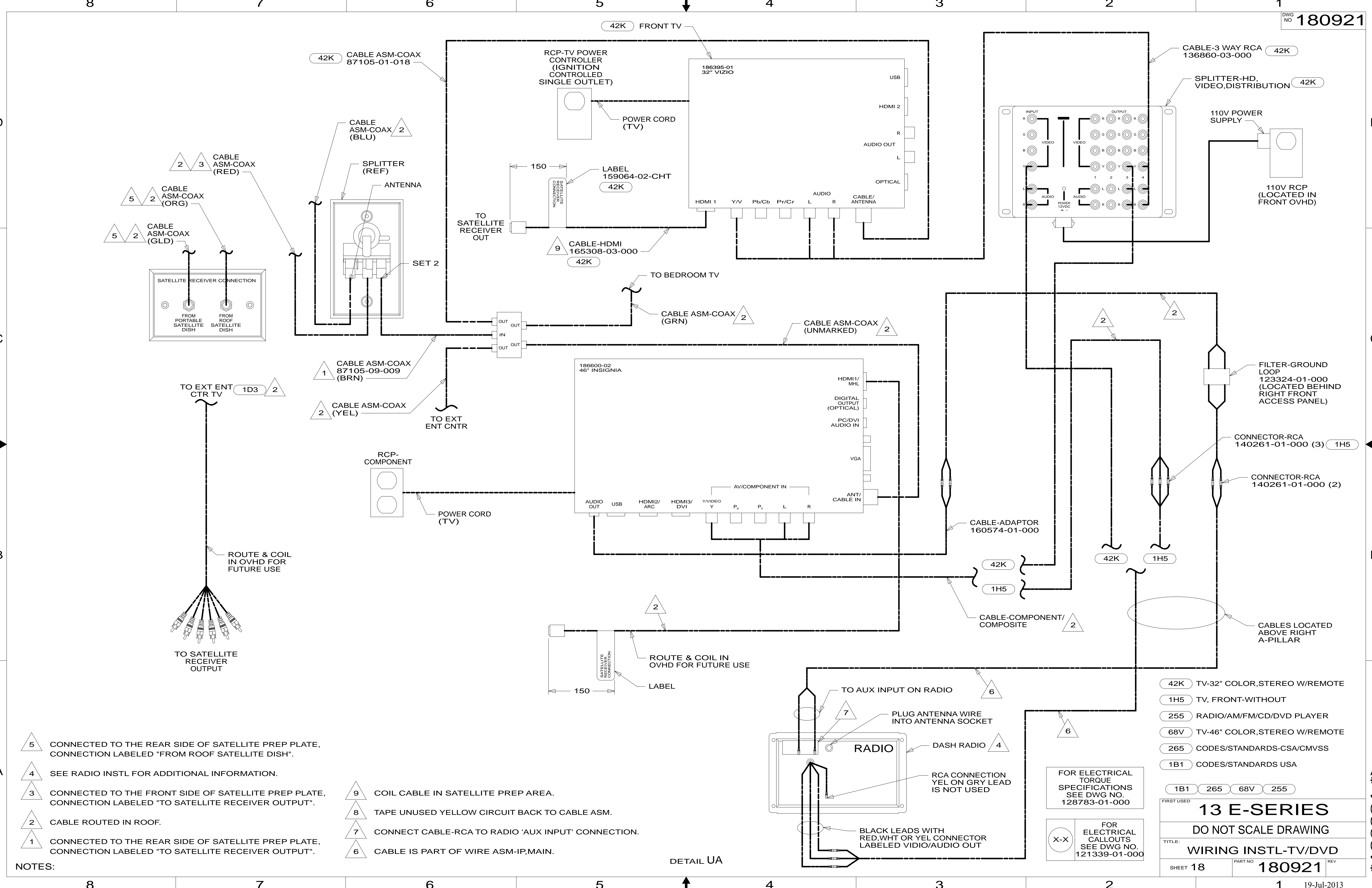
- 19V RADIO-AM/FM STEREO CD PLAYER
- 42K TV-32" COLOR, STEREO W/REMOTE
- 265 CODES/STANDARDS-CSA/CMVSS
- 1B1 CODES/STANDARDS USA

1B1	265	42K
FIRST USED		
13 E-SERIES		
DO NOT SCALE DRAWING		
TITLE: WIRING INSTL-TV/DVD		
SHEET 17	PART NO 180921	REV
19-Jul-2013		

FOR ELECTRICAL TORQUE SPECIFICATIONS SEE DWG NO. 128783-01-000

X-X FOR ELECTRICAL CALLOUTS SEE DWG NO. 121339-01-000

* 180921 A *



- NOTES:
- 5 CONNECTED TO THE REAR SIDE OF SATELLITE PREP PLATE, CONNECTION LABELED "FROM ROOF SATELLITE DISH".
 - 4 SEE RADIO INSTL FOR ADDITIONAL INFORMATION.
 - 3 CONNECTED TO THE FRONT SIDE OF SATELLITE PREP PLATE, CONNECTION LABELED "TO SATELLITE RECEIVER OUTPUT".
 - 2 CABLE ROUTED IN ROOF.
 - 1 CONNECTED TO THE REAR SIDE OF SATELLITE PREP PLATE, CONNECTION LABELED "TO SATELLITE RECEIVER OUTPUT".
 - 9 COIL CABLE IN SATELLITE PREP AREA.
 - 8 TAPE UNUSED YELLOW CIRCUIT BACK TO CABLE ASM.
 - 7 CONNECT CABLE-RCA TO RADIO 'AUX INPUT' CONNECTION.
 - 6 CABLE IS PART OF WIRE ASM-IP,MAIN.

- 42K TV-32" COLOR,STEREO W/REMOTE
- 1H5 TV, FRONT-WITHOUT
- 255 RADIO/AM/FM/CD/DVD PLAYER
- 68V TV-46" COLOR,STEREO W/REMOTE
- 265 CODES/STANDARDS-CSA/CMVSS
- 1B1 CODES/STANDARDS USA

FOR ELECTRICAL TORQUE SPECIFICATIONS SEE DWG NO. 128783-01-000

FOR ELECTRICAL CALLOUTS SEE DWG NO. 121339-01-000

13 E-SERIES

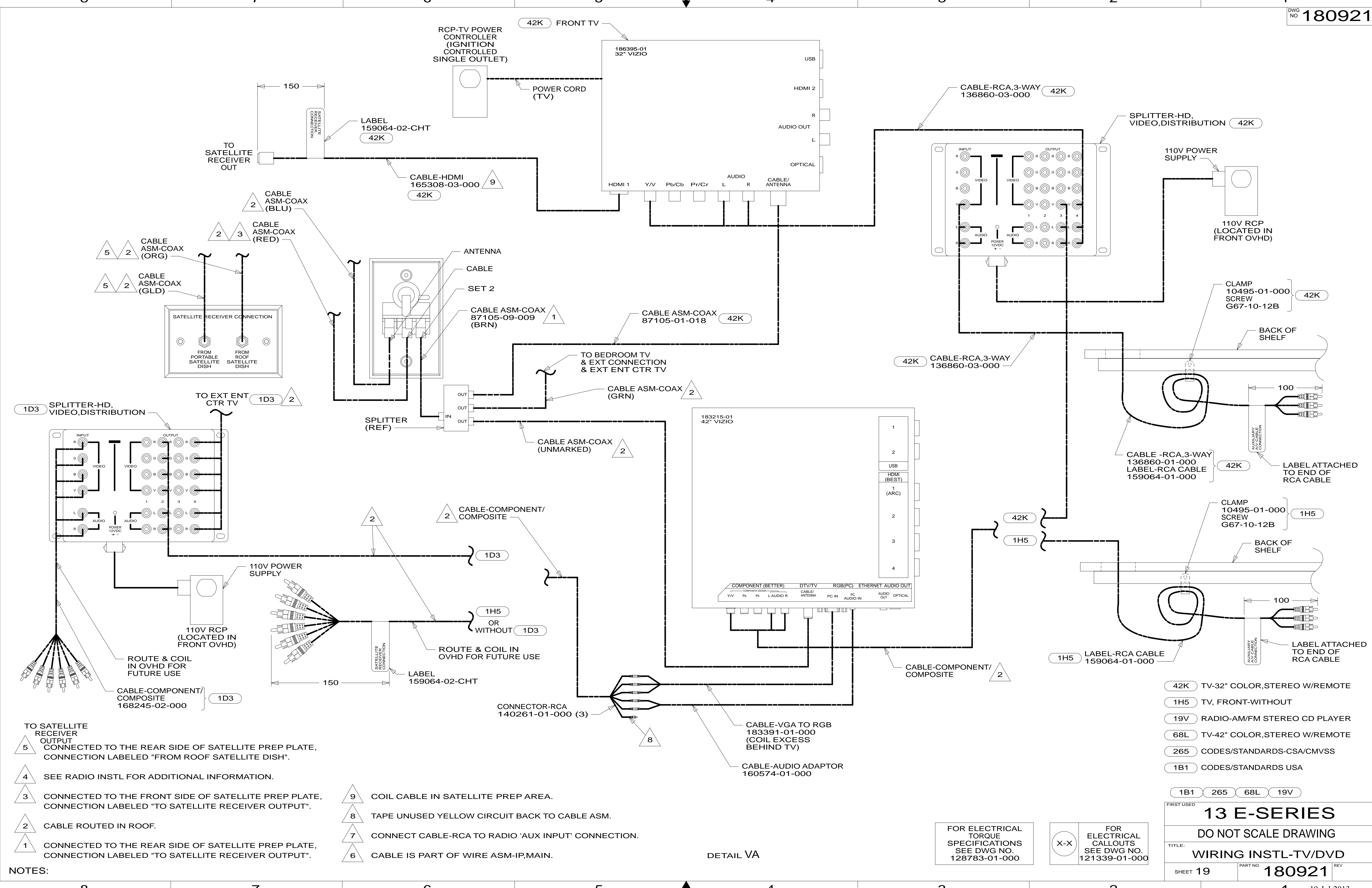
DO NOT SCALE DRAWING

TITLE: **WIRING INSTL-TV/DVD**

SHEET 18 PART NO **180921** REV

* 180921 A *

DETAIL UA



- NOTES:
- 5 TO SATELLITE RECEIVER OUTPUT CONNECTED TO THE REAR SIDE OF SATELLITE PREP PLATE, CONNECTION LABELED "FROM ROOF SATELLITE DISH".
 - 4 SEE RADIO INSTL FOR ADDITIONAL INFORMATION.
 - 3 CONNECTED TO THE FRONT SIDE OF SATELLITE PREP PLATE, CONNECTION LABELED "TO SATELLITE RECEIVER OUTPUT".
 - 2 CABLE ROUTED IN ROOF.
 - 1 CONNECTED TO THE REAR SIDE OF SATELLITE PREP PLATE, CONNECTION LABELED "TO SATELLITE RECEIVER OUTPUT".

- 9 COIL CABLE IN SATELLITE PREP AREA.
- 8 TAPE UNUSED YELLOW CIRCUIT BACK TO CABLE ASM.
- 7 CONNECT CABLE-RCA TO RADIO 'AUX INPUT' CONNECTION.
- 6 CABLE IS PART OF WIRE ASM-IP,MAIN.

DETAIL VA

FOR ELECTRICAL TORQUE SPECIFICATIONS SEE DWG NO. 128783-01-000

FOR ELECTRICAL CALLOUTS SEE DWG NO. 121339-01-000

- 42K TV-32" COLOR,STEREO W/REMOTE
- 1H5 TV, FRONT-WITHOUT
- 19V RADIO-AM/FM STEREO CD PLAYER
- 68L TV-42" COLOR,STEREO W/REMOTE
- 265 CODES/STANDARDS-CSA/CMVSS
- 1B1 CODES/STANDARDS USA

FIRST USED

13 E-SERIES

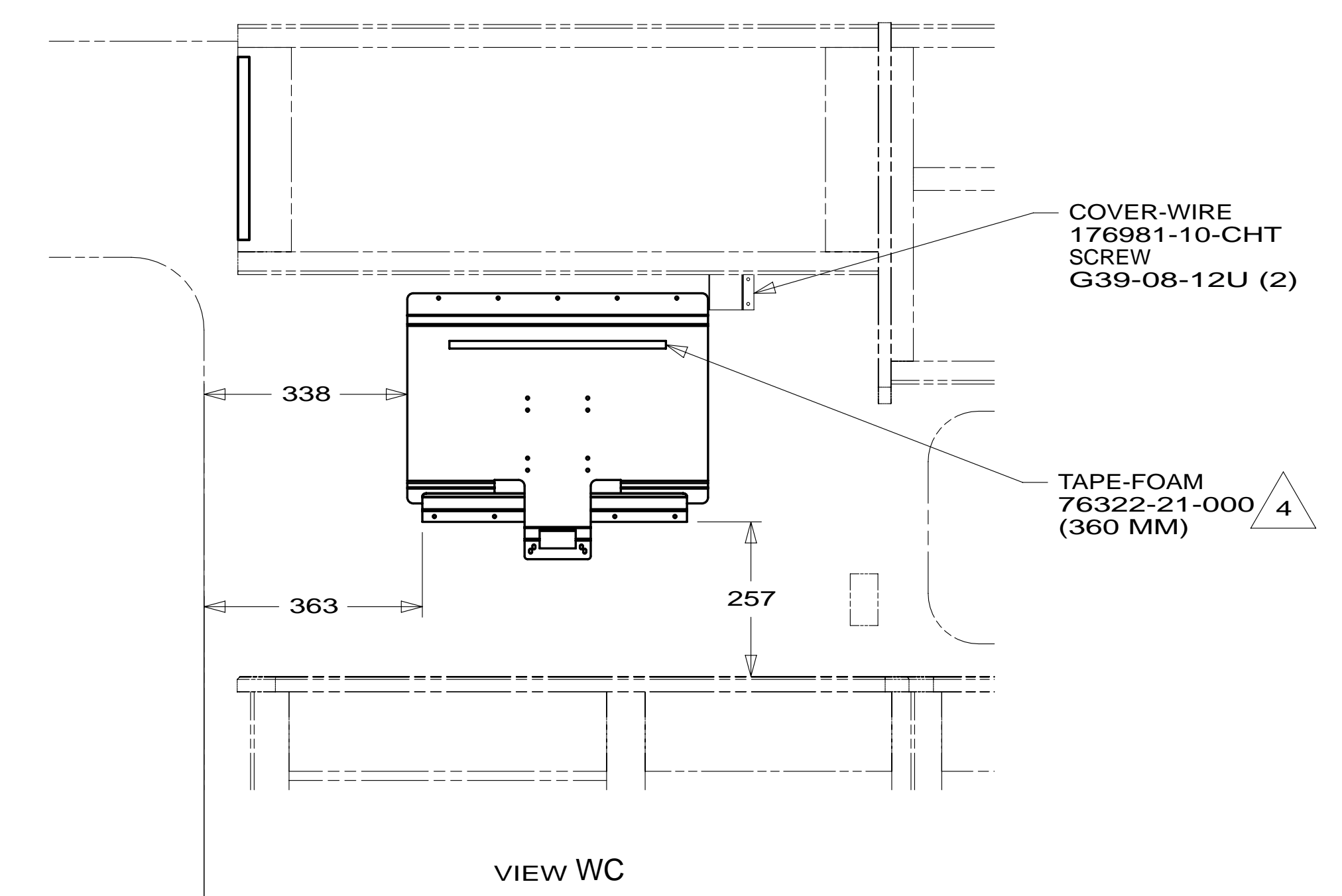
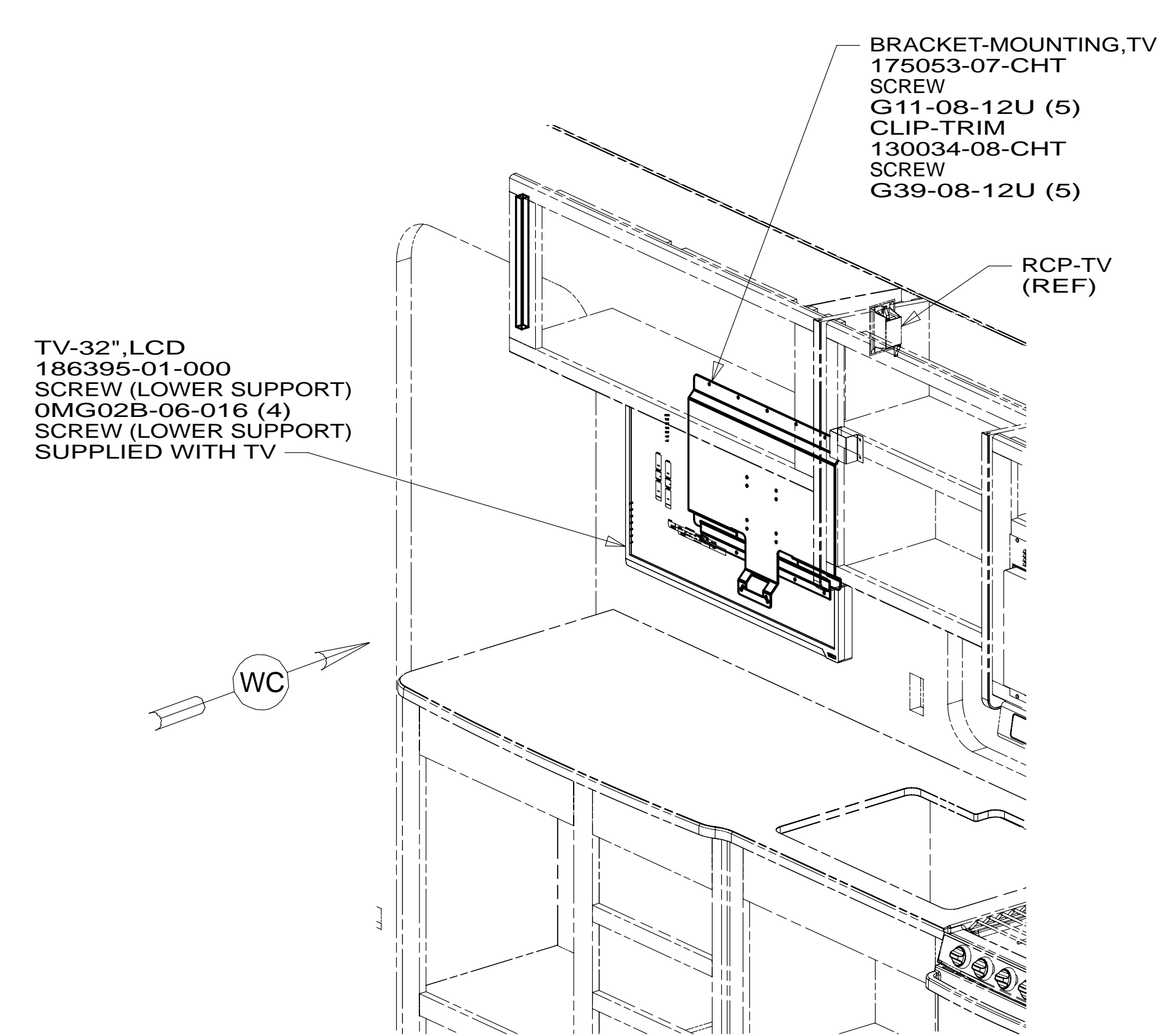
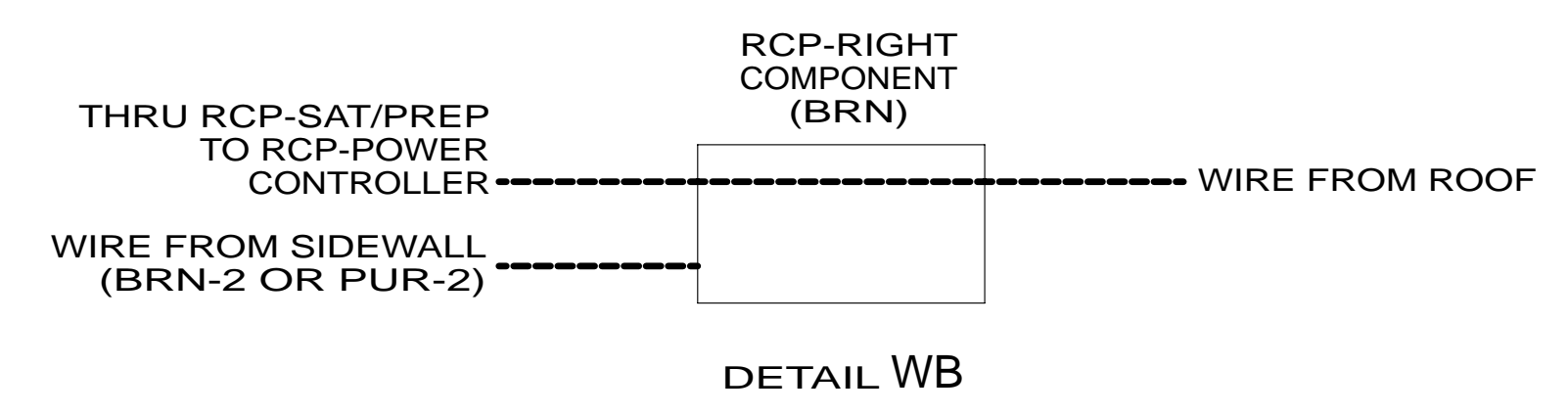
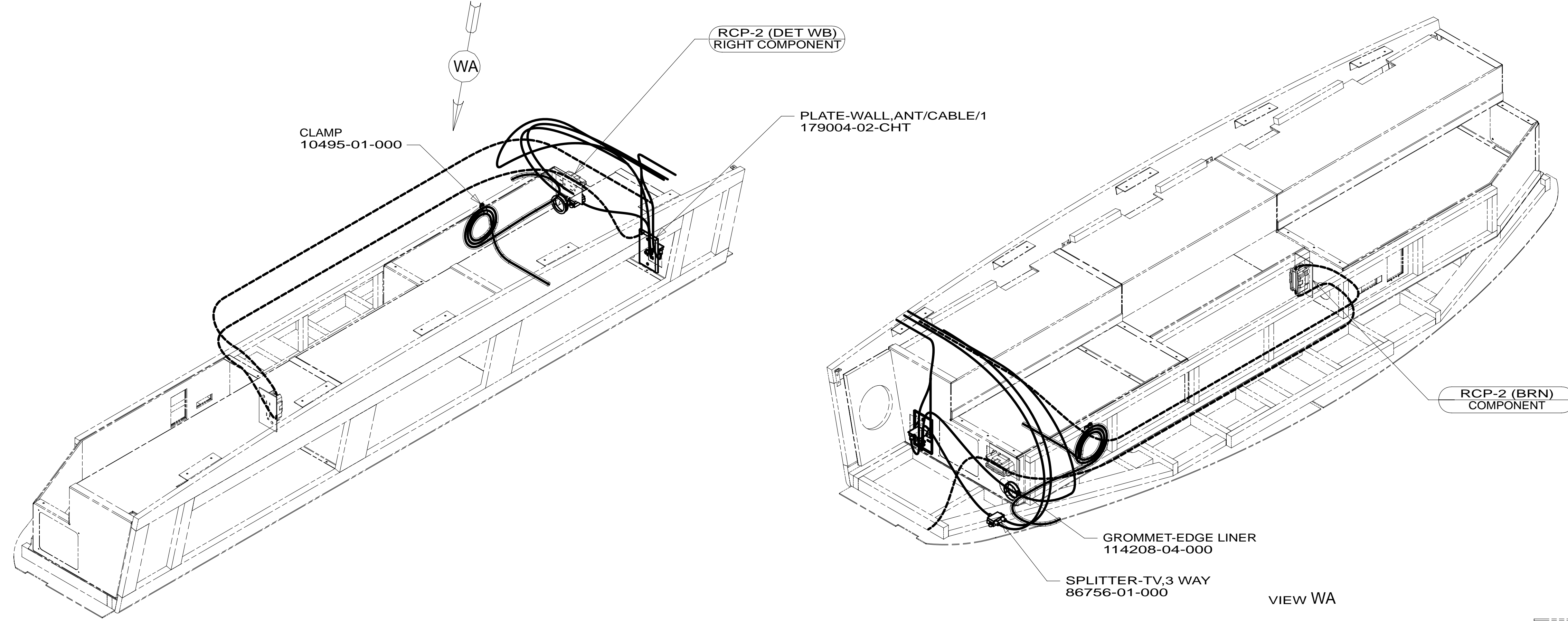
DO NOT SCALE DRAWING

TITLE: **WIRING INSTL-TV/DVD**

SHEET 19 PART NO **180921** REV

19-Jul-2013

* 180921



- NOTES:
- 4 PREP SURFACE WITH 87211-01-000.
 - 3. WHERE WIRES PASS THROUGH HOLES IN STEEL AND NOT OTHERWISE PROTECTED, USE GROMMET 92908-02-000.
 - 2. ALL WIRES TO BE SECURED WITH CLAMP 10495-01-000 OR CLIP 80734-01-000 EVERY 600MM. USE SCREW G67-10-12B UNLESS OTHERWISE SPECIFIED.
 - 1. 110V WIRE TO BE CLAMPED WITH CLAMP 10497-05-000 WITHIN 200MM OF OUTLET BOXES, USE SCREW G67-10-12B.

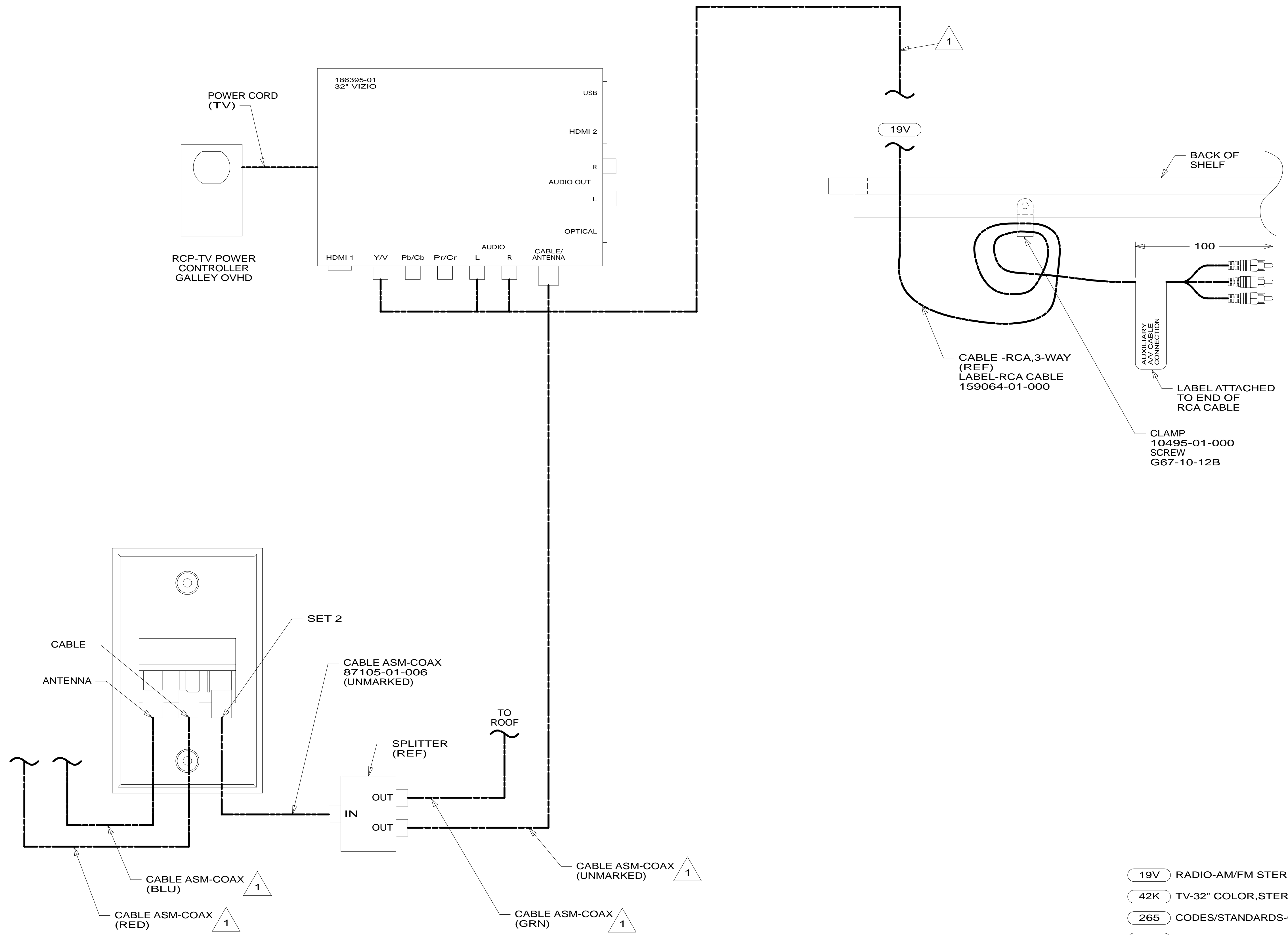
FOR ELECTRICAL TORQUE SPECIFICATIONS SEE DWG NO. 128783-01-000

FOR ELECTRICAL CALLOUTS SEE DWG NO. 121339-01-000

- 42K TV-32" COLOR,STEREO W/REMOTE
- 265 CODES/STANDARDS-CSA/CMVSS
- 1B1 CODES/STANDARDS USA

1B1	265	42K
FIRST USED		
13 E-SERIES		
DO NOT SCALE DRAWING		
TITLE: WIRING INSTL-TV/DVD		
SHEET 20	PART NO 180921	REV
	1	19-Jul-2013

* 180921 A *



1 CABLE ROUTED IN ROOF.
NOTES:

FOR ELECTRICAL TORQUE SPECIFICATIONS SEE DWG NO. 128783-01-000

X-X FOR ELECTRICAL CALLOUTS SEE DWG NO. 121339-01-000

- 19V RADIO-AM/FM STEREO CD PLAYER
- 42K TV-32" COLOR,STEREO W/REMOTE
- 265 CODES/STANDARDS-CSA/CMVSS
- 1B1 CODES/STANDARDS USA

1B1	265	42K
FIRST USED		
13 E-SERIES		
DO NOT SCALE DRAWING		
TITLE: WIRING INSTL-TV/DVD		
SHEET 21	PART NO 180921	REV
19-Jul-2013		

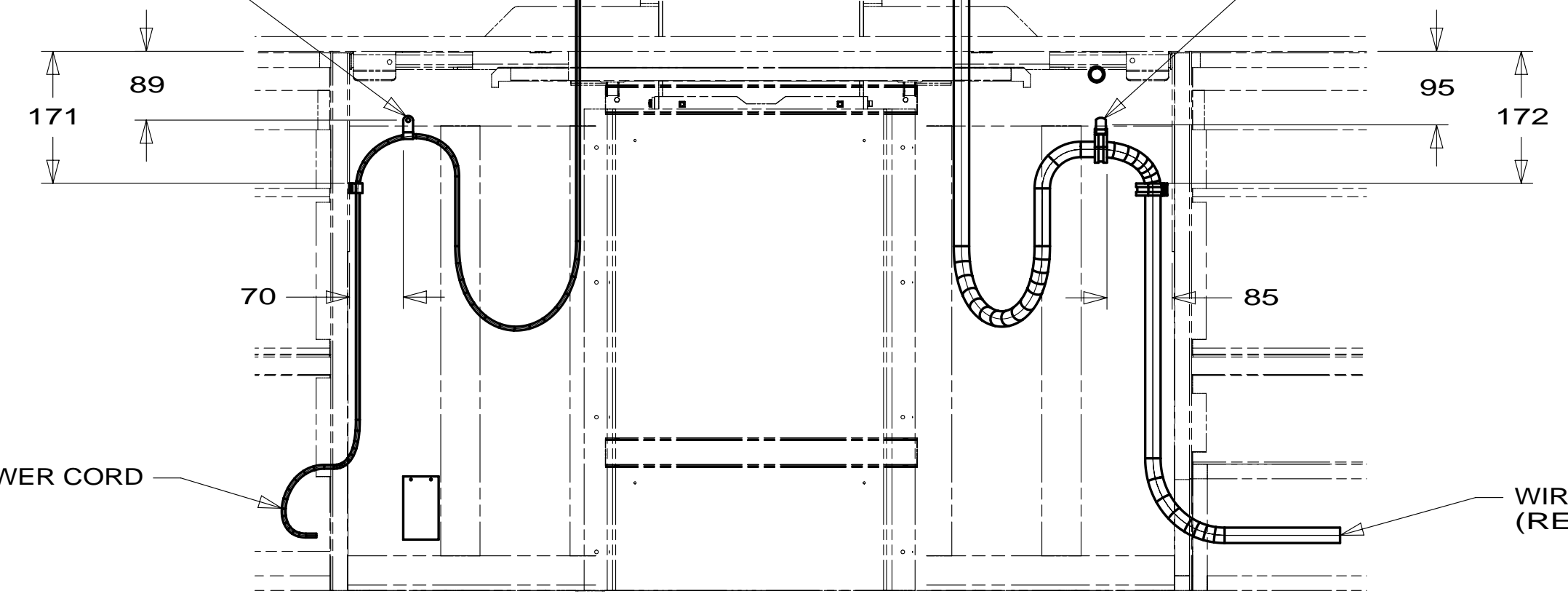
* 180921 A *

WIRE TIE IS TO BE ROUTED THROUGH HOLE IN LOWER BRACKET AS SHOWN TO PROPERLY SUPPORT CABLE ASM (2) PLACES

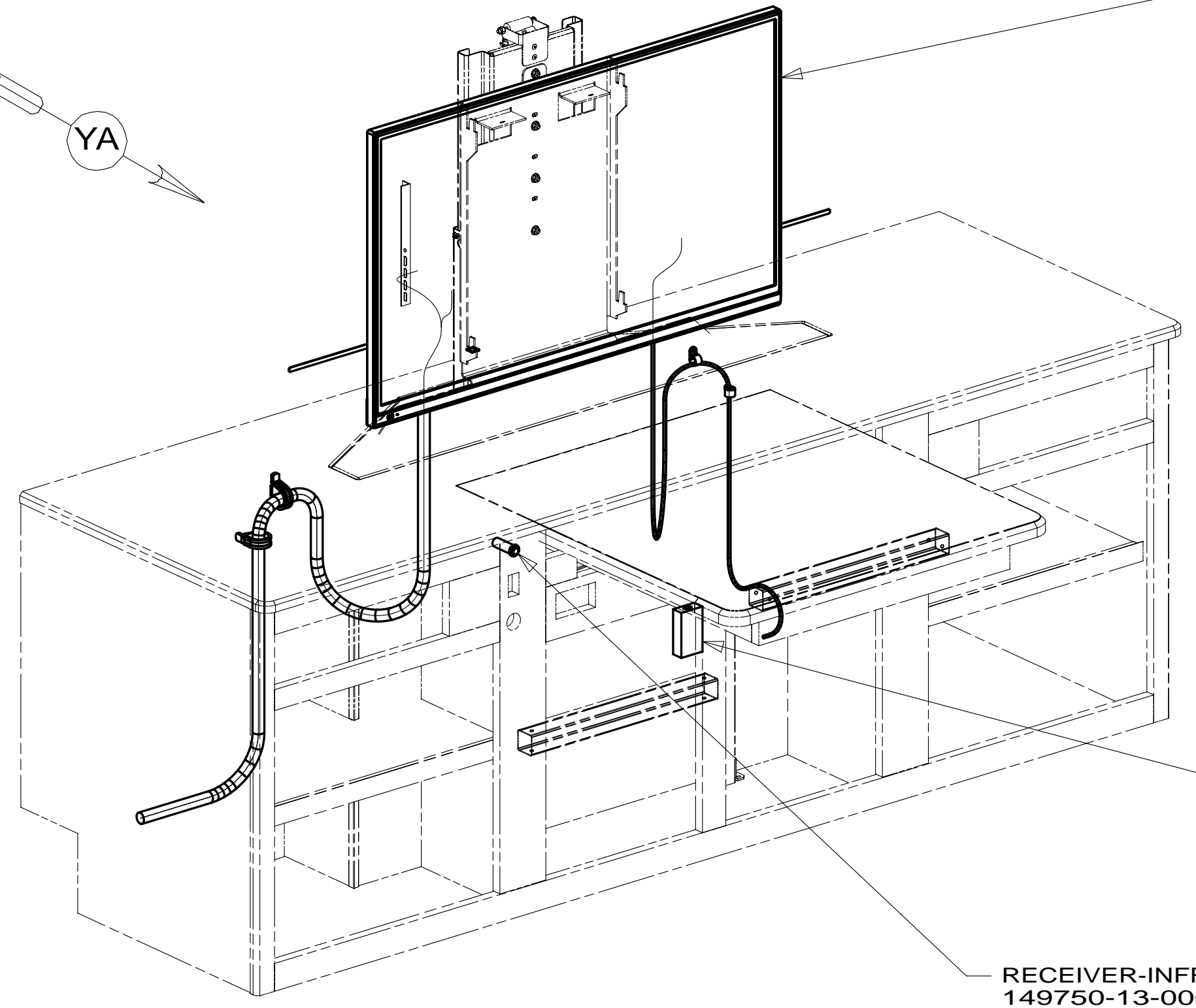
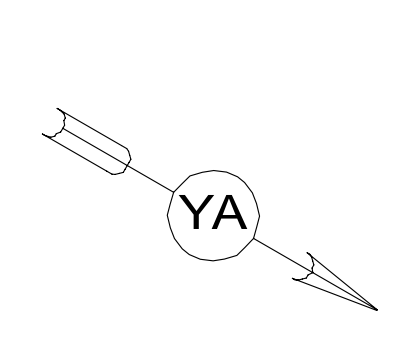
CLAMP-CABLE 10495-01-000 (2)
SCREW G11-08-16U (2)

TIE-WIRE 8343-04-000 (2)

CLAMP-CLOSED 10497-02-000 (2)
SCREW G11-08-16U (2)



VIEW YA



TV-39", FLAT PANEL ELED, HDTV 186601-01-000
SCREW (SUPPLIED W/TV) (TV TO BRACKET)
BRACKET ASM-MOUNTING, TV 173816-14-CHT
SCREW G39-10-12U (2) (TOP TUBE TO TV BRACKET)
SCREW 000G39-08-12U (3) SUPPORT-MOUNTING, TV 172123-12-CHT
SCREW 000G39-08-12U (3)

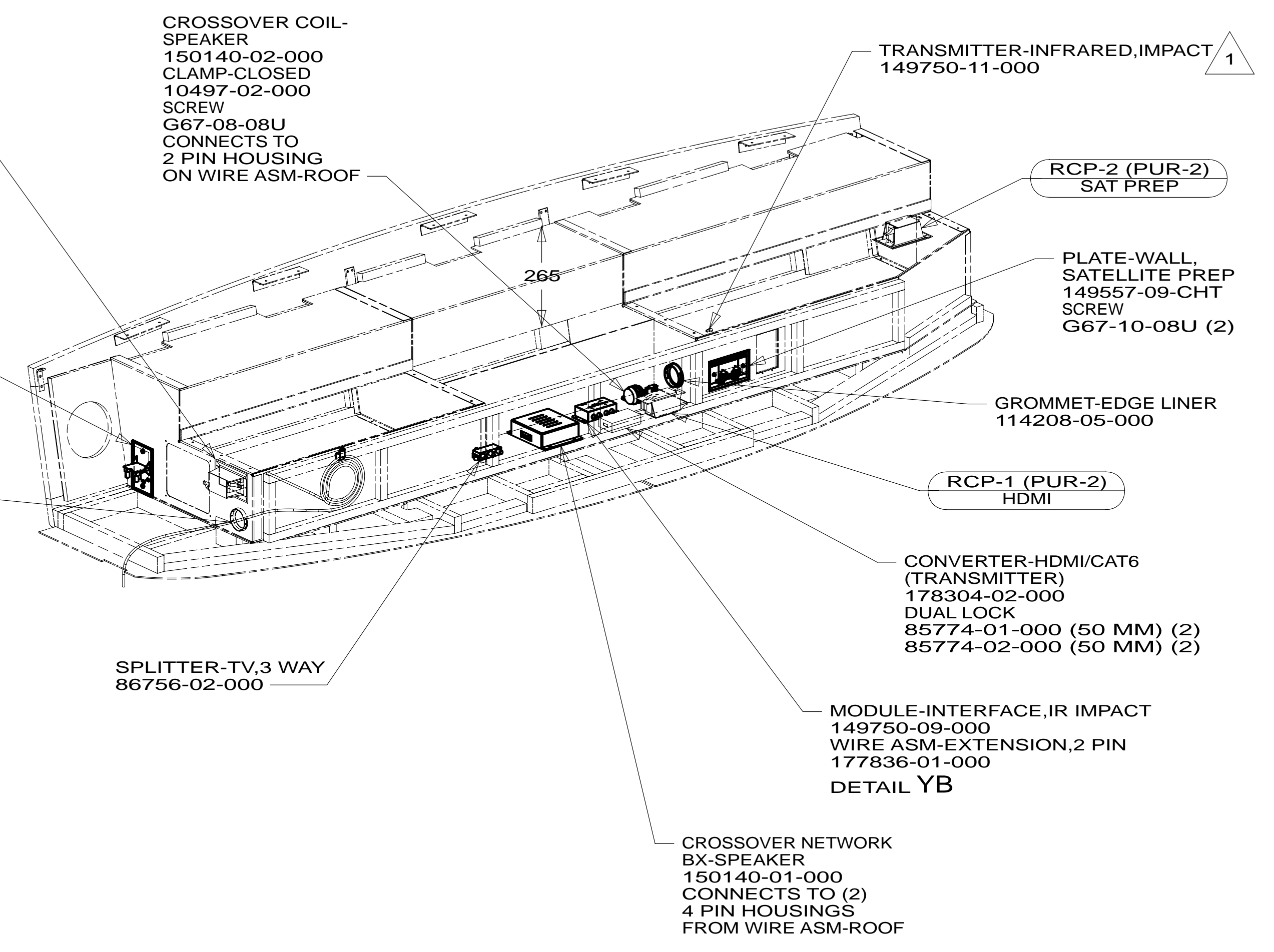
CONVERTER-HDMI/CAT6 (RECEIVER) DUAL LOCK 85774-01-000 (50 MM) (2)
85774-02-000 (50 MM) (2) TO SIDEWALL

RECEIVER-INFRARED, IMPACT 149750-13-000

193 PLATE-WALL, ANT/CABLE/1 179004-02-CHT

19V GROMMET-EDGE LINER 114208-04-000 PLUG-PLASTIC 61420-15-000

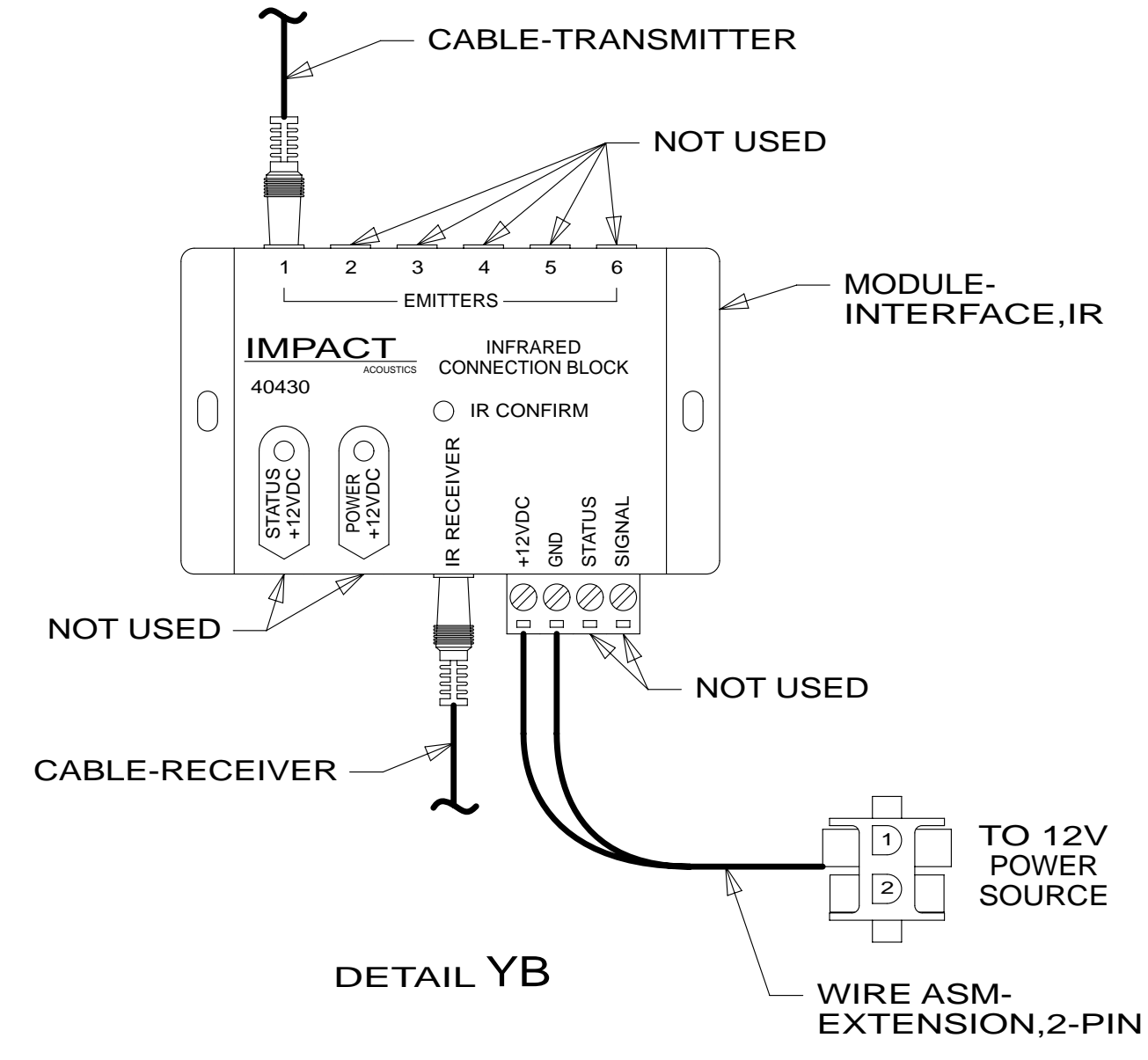
RCP-2 (PUR-2) RIGHT COMPONENT



SPLITTER-TV, 3 WAY 86756-02-000

MODULE-INTERFACE, IR IMPACT 149750-09-000
WIRE ASM-EXTENSION, 2 PIN 177836-01-000
DETAIL YB

CROSSOVER NETWORK BX-SPEAKER 150140-01-000
CONNECTS TO (2) 4 PIN HOUSINGS FROM WIRE ASM-ROOF



DETAIL YB

- 19V RADIO-AM/FM STEREO CD PLAYER
- 255 RADIO-AM/FM/CD/DVD PLAYER
- 193 TV ANTENNA-AMPLIFIED SYSTEM
- 1H5 TV, FRONT-WITHOUT
- 21R DINING/BUFFET/POWERED TV
- 265 CODES/STANDARDS-CSA/CMVSS
- 1B1 CODES/STANDARDS USA

1B1 265 21R 1H5

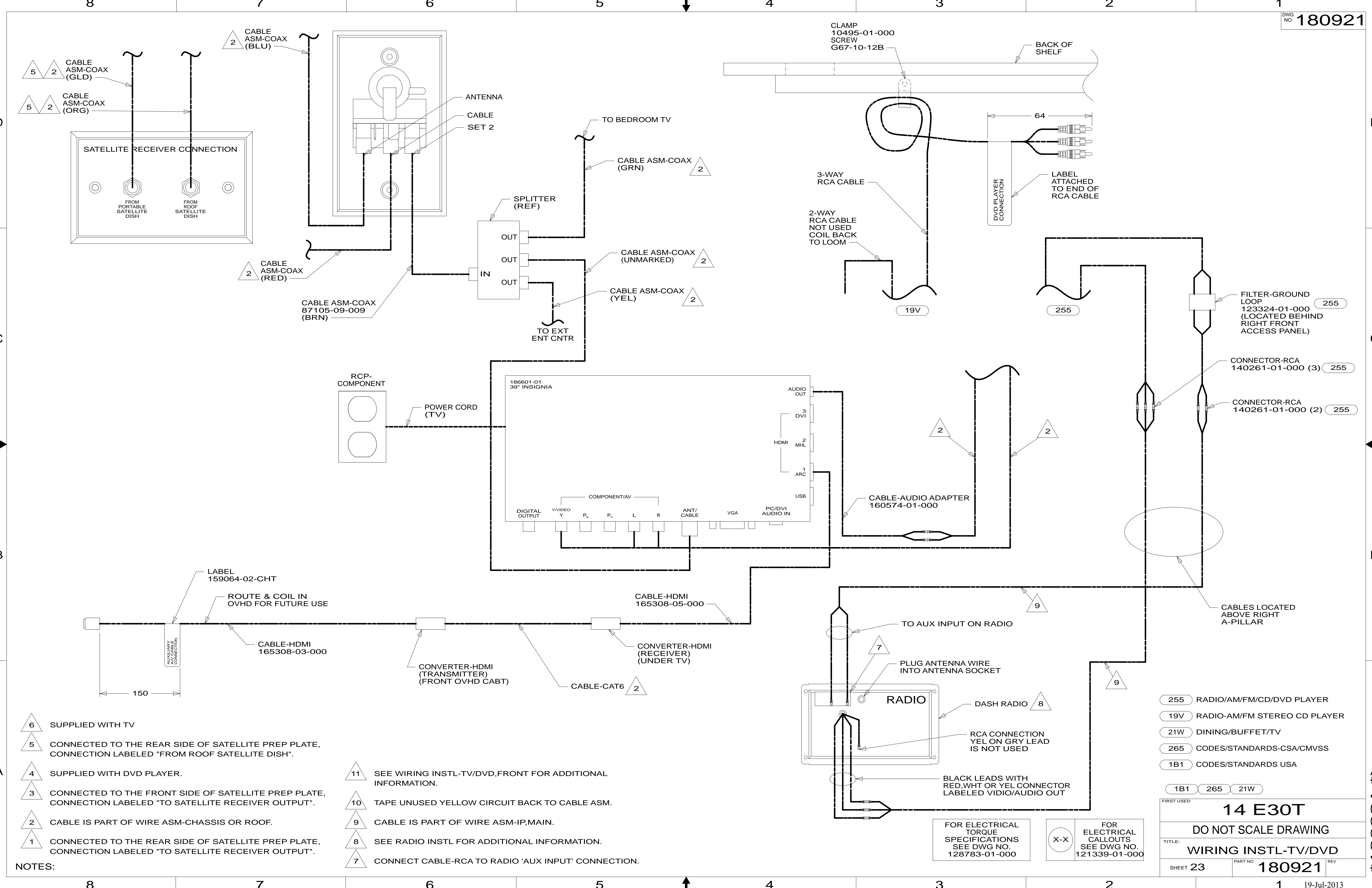
FIRST USED	14 E30T	
TITLE:	DO NOT SCALE DRAWING	
SHEET 22	PART NO. 180921	REV
	19-Jul-2013	

FOR ELECTRICAL TORQUE SPECIFICATIONS SEE DWG NO. 128783-01-000

FOR ELECTRICAL CALLOUTS SEE DWG NO. 121339-01-000

NOTES:
1 ROUTE 1 TRANSMITTER TO EACH SIDE AND COIL FOR FUTURE USE.

* 180921



- NOTES:
- 6 SUPPLIED WITH TV
 - 5 CONNECTED TO THE REAR SIDE OF SATELLITE PREP PLATE, CONNECTION LABELED "FROM ROOF SATELLITE DISH".
 - 4 SUPPLIED WITH DVD PLAYER.
 - 3 CONNECTED TO THE FRONT SIDE OF SATELLITE PREP PLATE, CONNECTION LABELED "TO SATELLITE RECEIVER OUTPUT".
 - 2 CABLE IS PART OF WIRE ASM-CHASSIS OR ROOF.
 - 1 CONNECTED TO THE REAR SIDE OF SATELLITE PREP PLATE, CONNECTION LABELED "TO SATELLITE RECEIVER OUTPUT".

- 11 SEE WIRING INSTL-TV/DVD,FRONT FOR ADDITIONAL INFORMATION.
- 10 TAPE UNUSED YELLOW CIRCUIT BACK TO CABLE ASM.
- 9 CABLE IS PART OF WIRE ASM-IP,MAIN.
- 8 SEE RADIO INSTL FOR ADDITIONAL INFORMATION.
- 7 CONNECT CABLE-RCA TO RADIO 'AUX INPUT' CONNECTION.

FOR ELECTRICAL TORQUE SPECIFICATIONS SEE DWG NO. 128783-01-000

FOR ELECTRICAL CALLOUTS SEE DWG NO. 121339-01-000

- 255 RADIO/AM/FM/CD/DVD PLAYER
- 19V RADIO-AM/FM STEREO CD PLAYER
- 21W DINING/BUFFET/TV
- 265 CODES/STANDARDS-CSA/CMVSS
- 1B1 CODES/STANDARDS USA

FIRST USED	14 E30T	
DO NOT SCALE DRAWING		
TITLE:	WIRING INSTL-TV/DVD	
SHEET 23	PART NO 180921	REV
		19-Jul-2013

* 180921 A *