



DANGER

Danger of electrical shock, burns or death. Always remove all power sources before attempting any repair, service or diagnostic work. Power can be present from shore power, generator, inverter or battery. All power sources must be disabled and secured before performing any service.



CAUTION

If you lack the skills, tools or equipment to perform diagnostic or repair work leave such work to an authorized Winnebago Industries dealer or other qualified shop.

DRAWING NO.	SHEET	MODEL
180771-01	1,2,4	H25T
180771-02	1,3,5	H25Q
180771-03	1,3,6	H25R

RELEASE	REV DATE	DWG NO	180771
REV ZONE	REVISION RECORD	DATE	DTR-ORIG

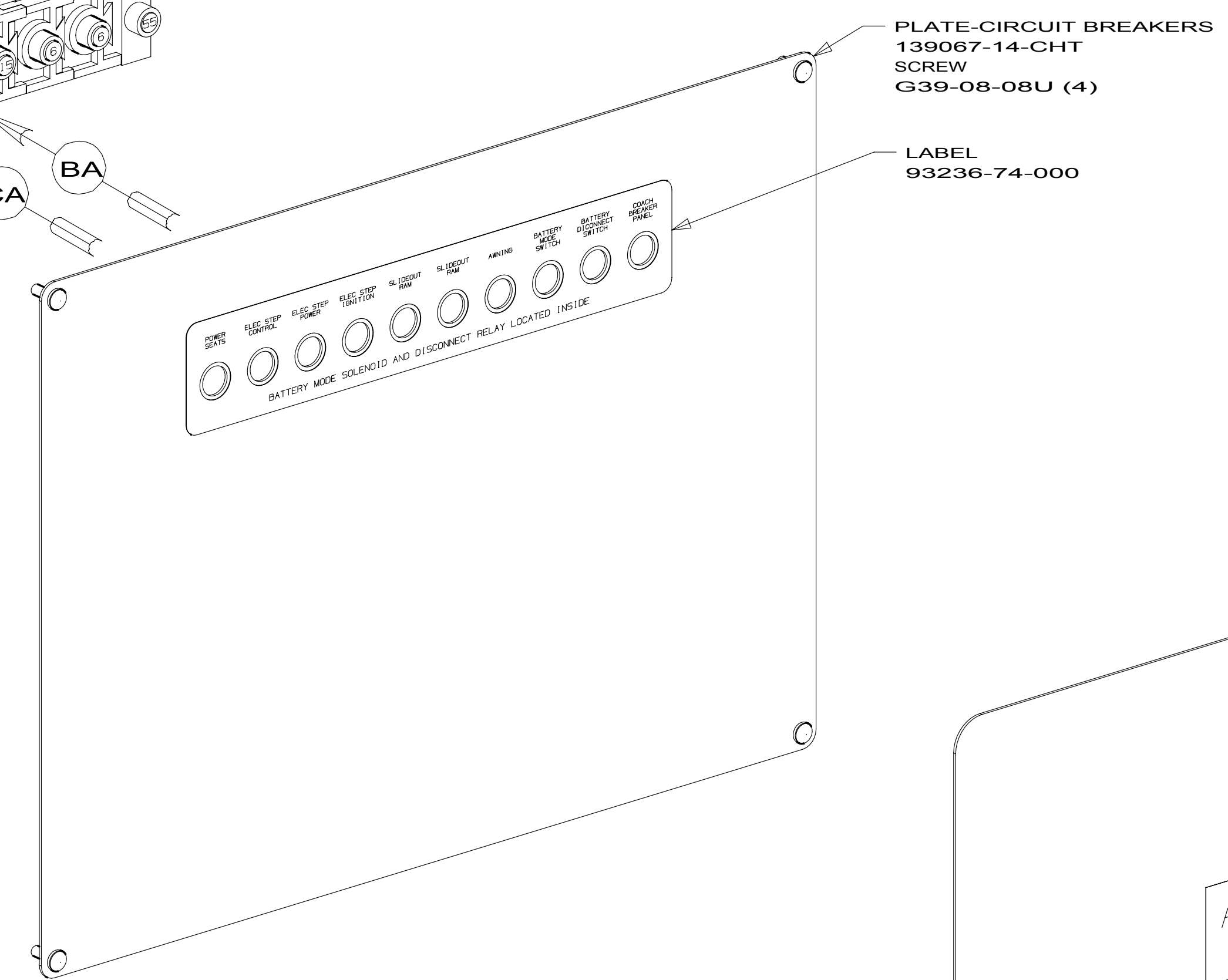
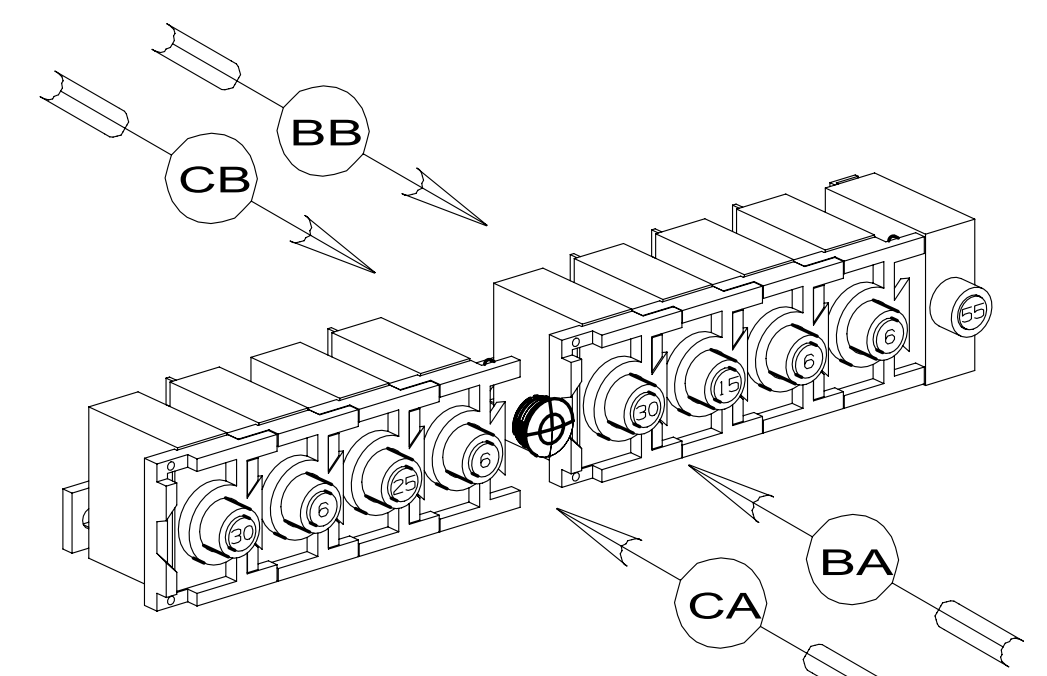
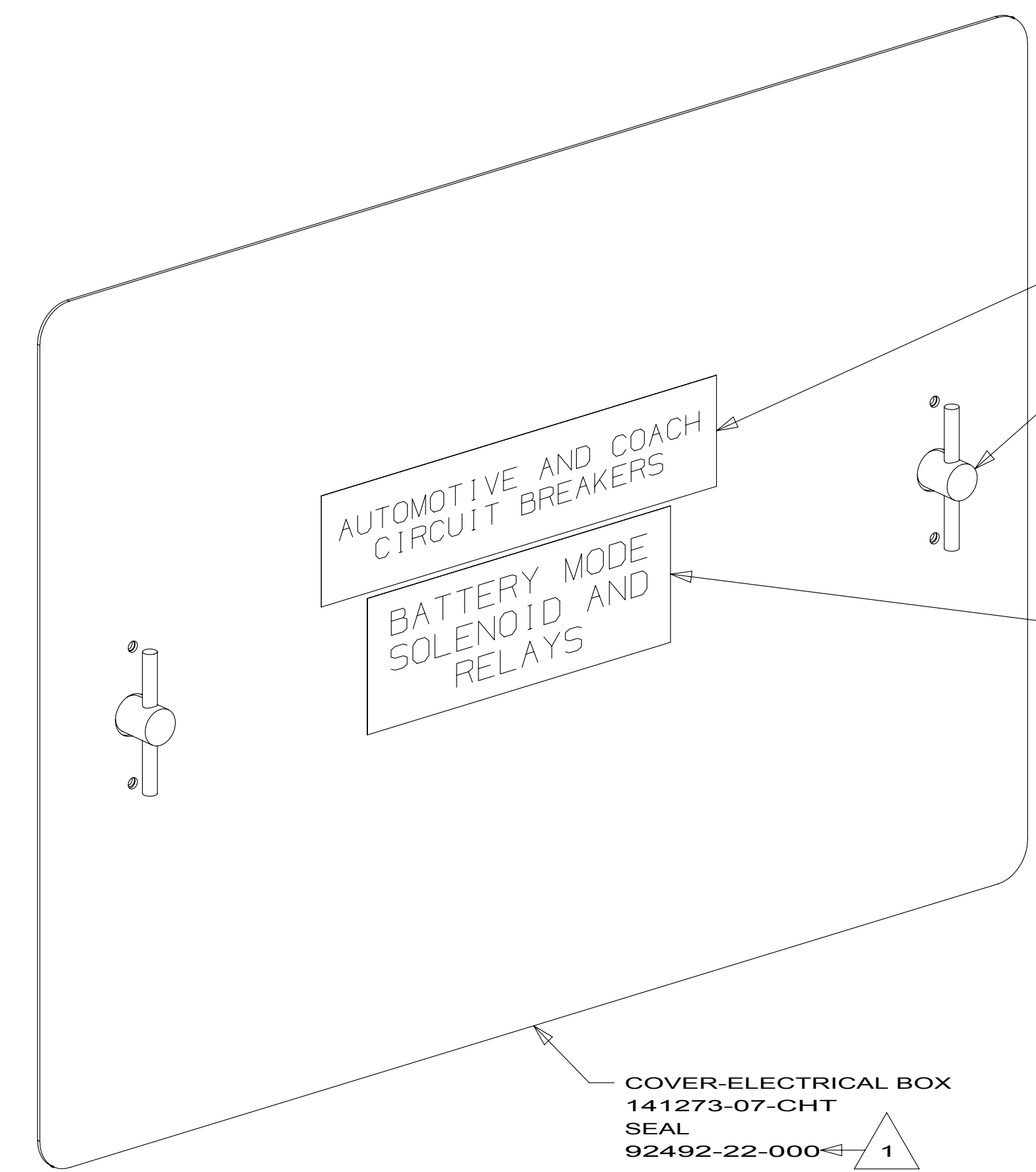


PLATE-CIRCUIT BREAKERS
139067-14-CHT
SCREW
G39-08-08U (4)

LABEL
93236-74-000



LABEL
98379-01-000

LATCH
98196-01-000 (2)
RIVET
H15-04-02R (4)

LABEL
98379-04-000

COVER-ELECTRICAL BOX
141273-07-CHT
SEAL
92492-22-000

- 265 CODES/STANDARDS-CSA/CMVSS
- 1B1 CODES/STANDARDS USA

- 1B1
- 265

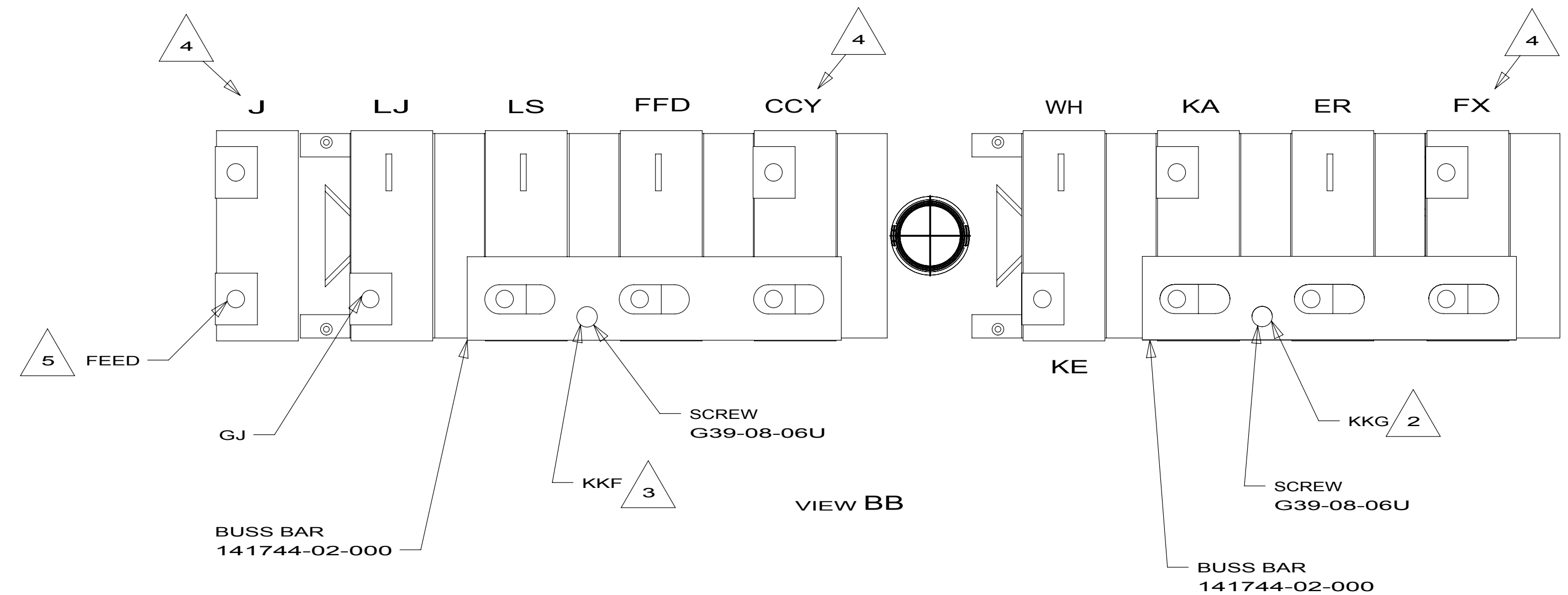
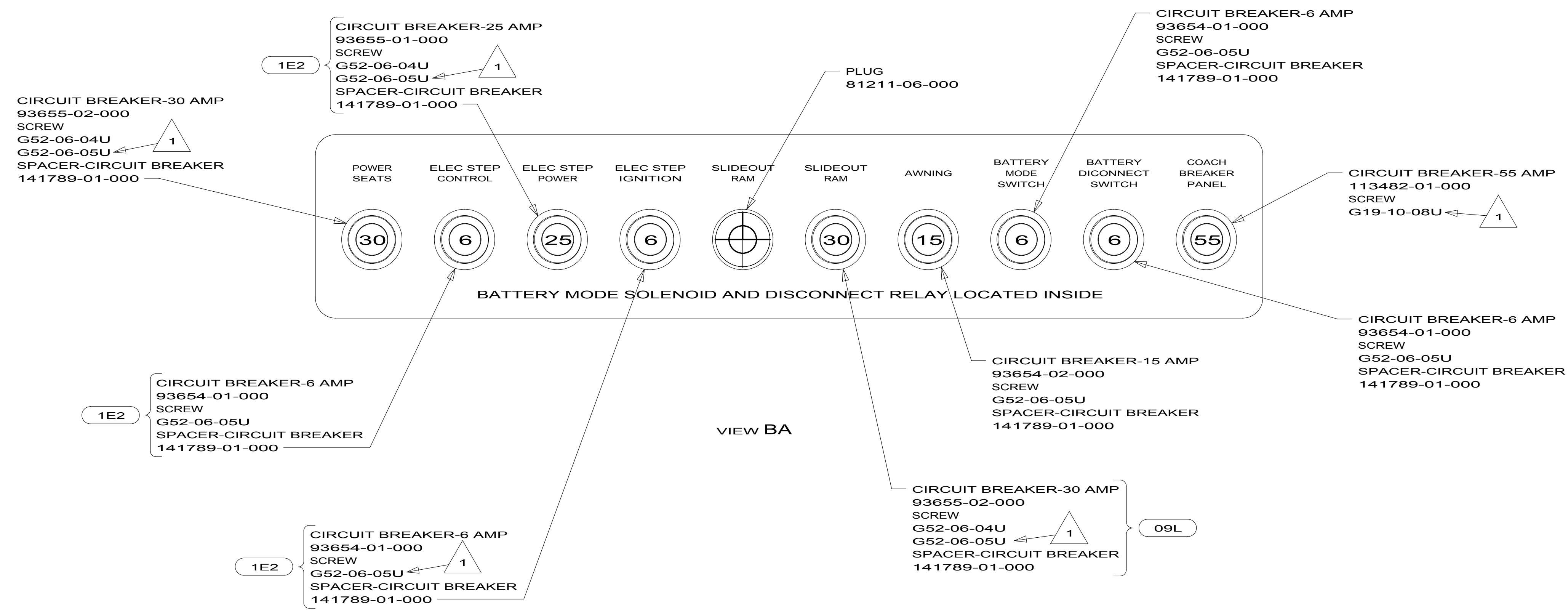


DTR	ORIG. DATE
CHKR	ALL DIMENSIONS ARE IN MILLIMETERS
P.E.	
M.E.	FIRST USED
DSNR	13 H-SERIES
UNSPECIFIED TOLERANCES ARE:	
WHOLE DIM (X)	: 3
ONE-PLACE (X.X)	: 1.5
TWO-PLACE (X.XX)	: 0.50
ANGLE	: 1°
THIRD ANGLE PROJECTION	
DO NOT SCALE DRAWING	REFER TO ES0018 FOR FASTENER TIGHTENING GUIDELINES
TITLE: CHASSIS ELECTRICAL BOX ASM	
SHEET 1 OF 6	PART NO 180771

1 PLACE AROUND ENTIRE PERIMETER OF DOOR WITH THE SEAM AT THE BOTTOM.

FOR ELECTRICAL TORQUE SPECIFICATIONS SEE DWG NO. 128783-01-000

FOR ELECTRICAL CALLOUTS SEE DWG NO. 121339-01-000



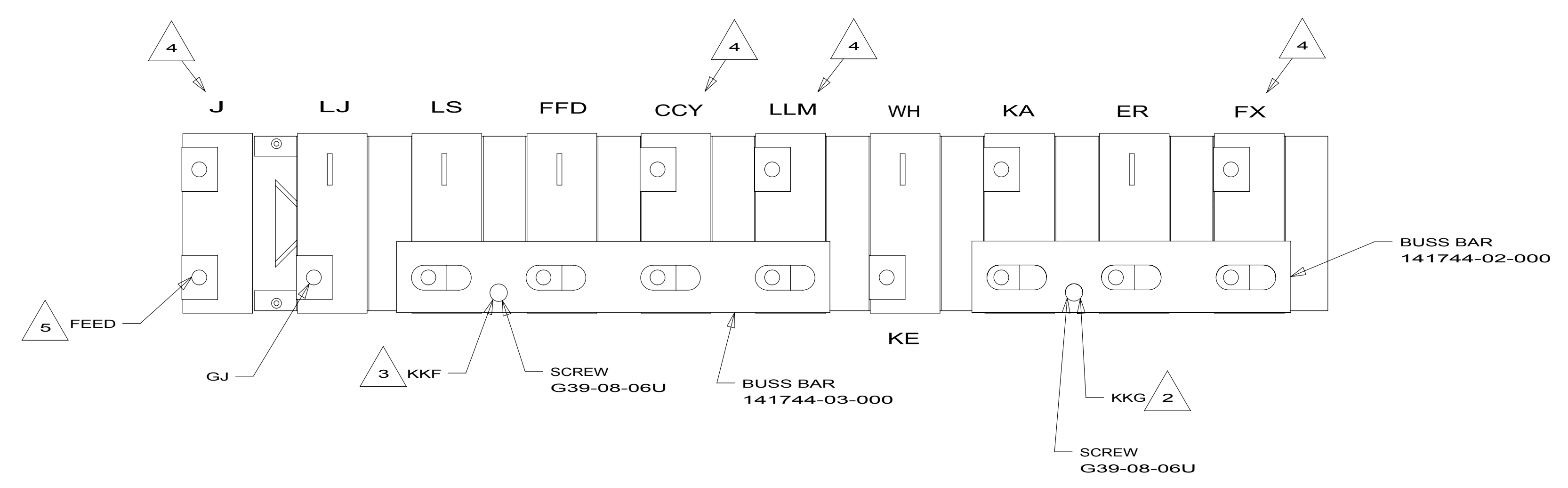
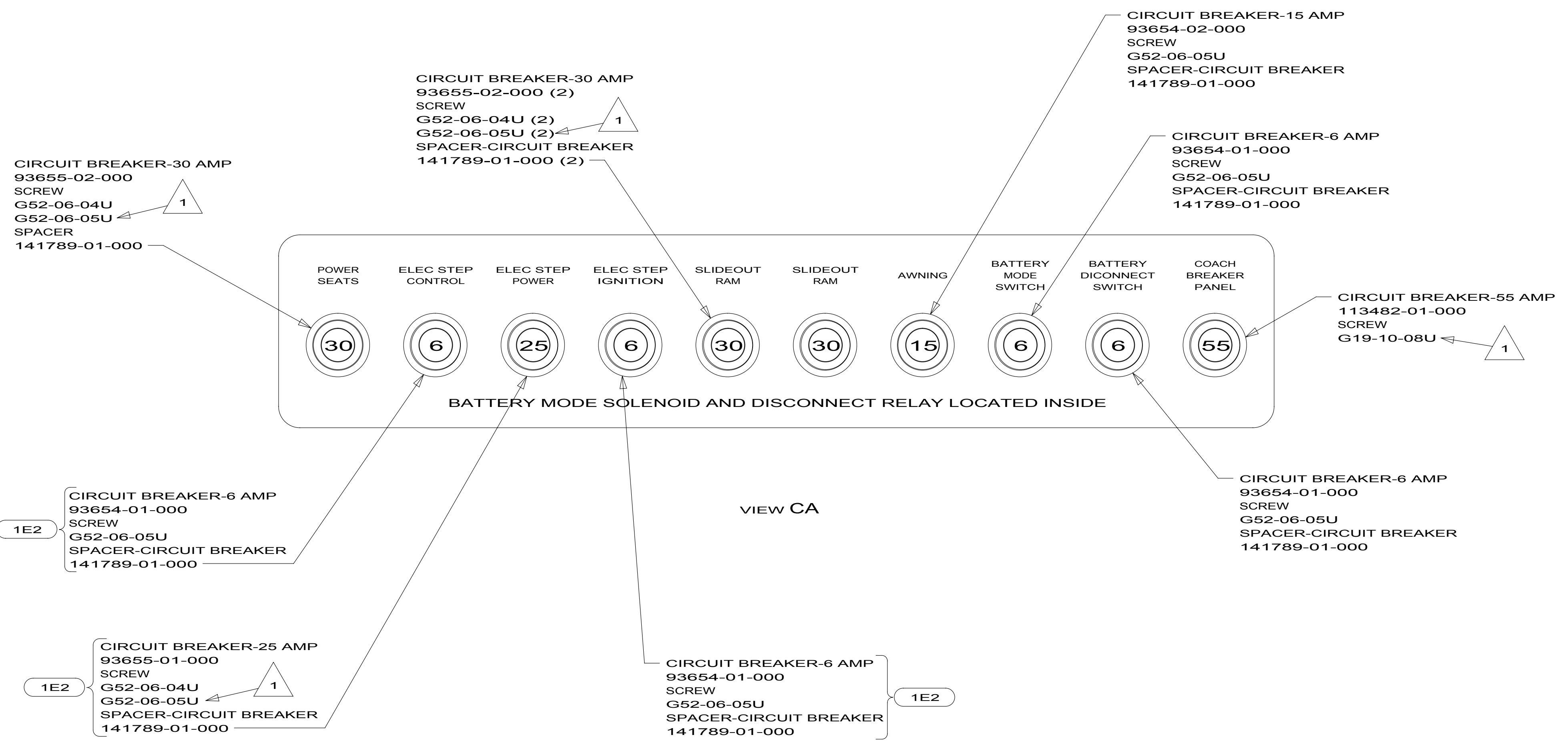
- NOTES:
- 6 WIRE IS MARKED WITH WHITE TAPE.
 - 5 WIRE IS MARKED WITH RED TAPE.
 - 4 CIRCUIT IS FROM WIRE ASM-CHASSIS.
 - 3 WIRE IS MARKED WITH YELLOW TAPE.
 - 2 WIRE IS MARKED WITH PURPLE TAPE.
 - 1 REPLACE EXISTING SCREW TO PROPERLY ATTACH BREAKER TO BUSS BAR.

- 1E2 ENTRANCE STEP-ELEC.
- 09L SLIDEOUT ROOM FRONT LEFT
- 265 CODES/STANDARDS-CSA/CMVSS
- 1B1 CODES/STANDARDS USA

FOR ELECTRICAL TORQUE SPECIFICATIONS SEE DWG NO. 128783-01-000

FOR ELECTRICAL CALLOUTS SEE DWG NO. 121339-01-000

FIRST USED		
13 H-SERIES		
DO NOT SCALE DRAWING		
TITLE: CHASSIS ELECTRICAL BOX ASM		
SHEET 2	PART NO	REV
	180771	



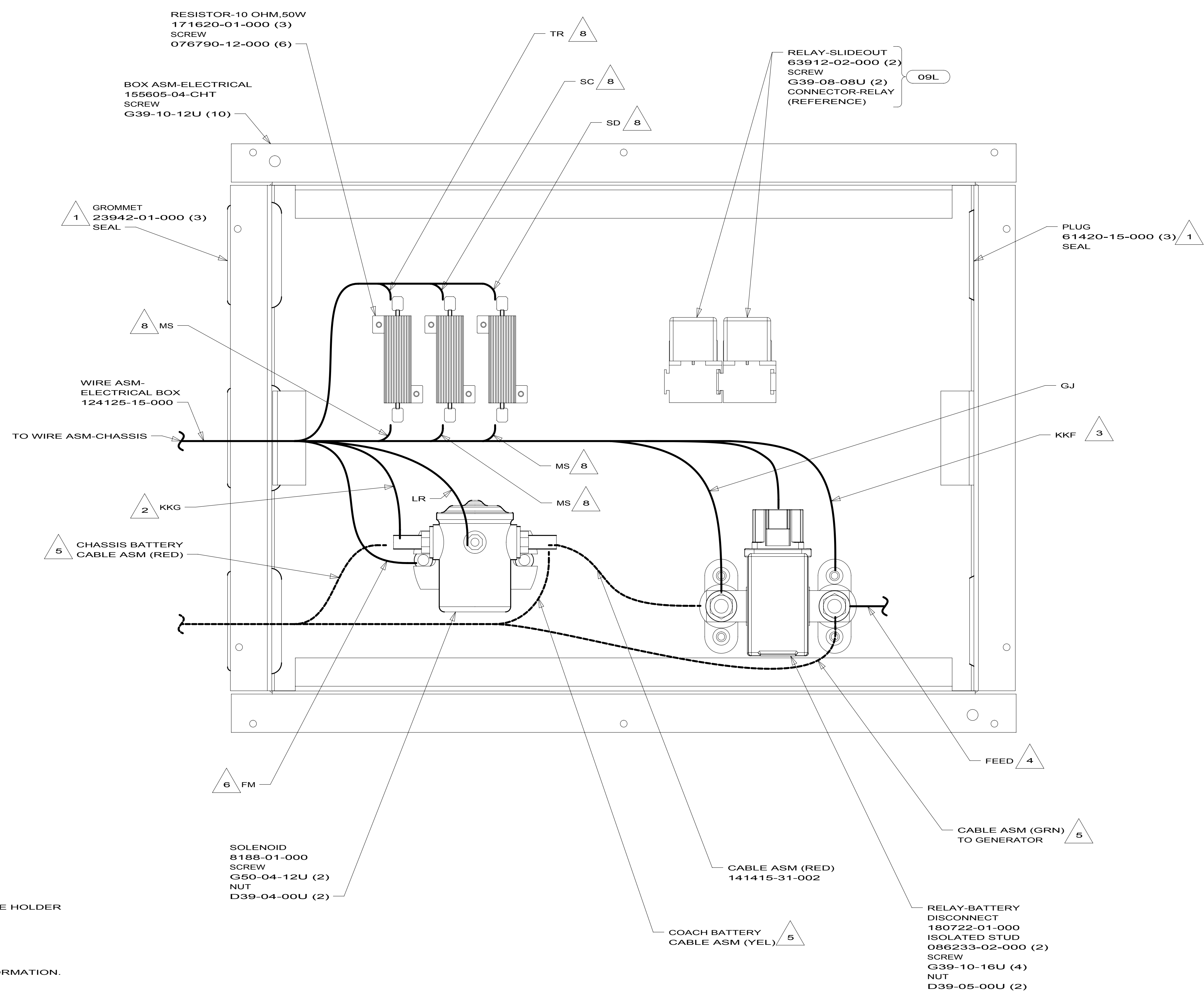
- NOTES:**
- 6 WIRE IS MARKED WITH WHITE TAPE.
 - 5 WIRE IS MARKED WITH RED TAPE.
 - 4 CIRCUIT IS FROM WIRE ASM-CHASSIS.
 - 3 WIRE IS MARKED WITH YELLOW TAPE.
 - 2 WIRE IS MARKED WITH PURPLE TAPE.
 - 1 REPLACE EXISTING SCREW TO PROPERLY ATTACH BREAKER TO BUSS BAR.

- 19D SLIDEOUT ROOM REAR LEFTHAND
- 40B INVERTER-DC/AC, 300 WATT
- 1E2 ENTRANCE STEP-ELEC.
- 09L SLIDEOUT ROOM FRONT LEFT
- 265 CODES/STANDARDS-CSA/CMVSS
- 1B1 CODES/STANDARDS USA

FOR ELECTRICAL TORQUE SPECIFICATIONS SEE DWG NO. 128783-01-000

FOR ELECTRICAL CALLOUTS SEE DWG NO. 121339-01-000

FIRST USED		
13 H-SERIES		
DO NOT SCALE DRAWING		
TITLE: CHASSIS ELECTRICAL BOX ASM		
SHEET 3	PART NO 180771	REV



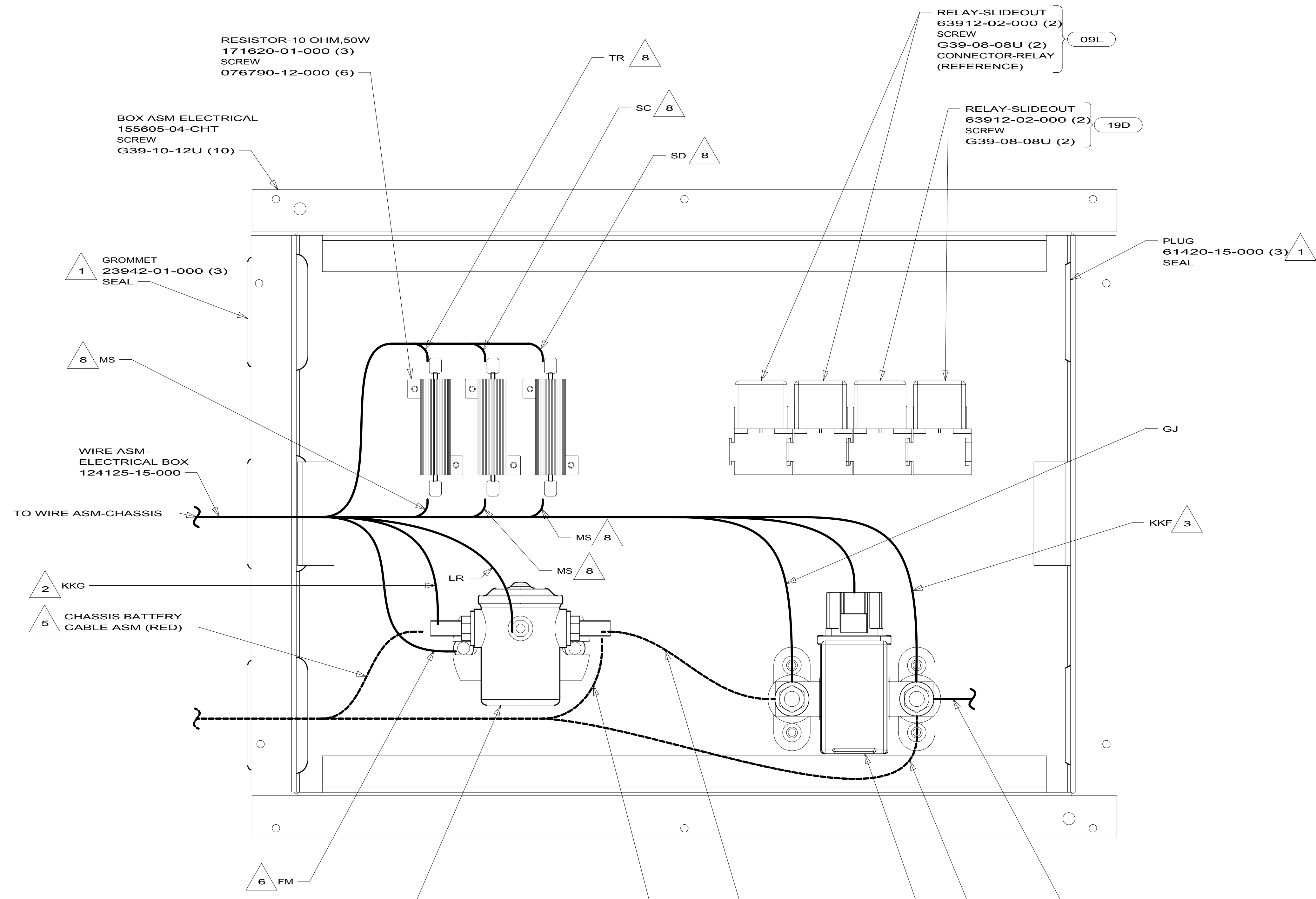
- 8 CIRCUIT IS FROM WIRE ASM-CHASSIS.
- 7 INSERT TERMINAL FROM CIRCUIT LJ INTO FUSE HOLDER SOCKET ON RELAY.
- 6 SECURE WITH SOLENOID MOUNTING SCREW.
- 5 WIRING INSTL-CHASSIS FOR ADDITIONAL INFORMATION.
- 4 WIRE IS MARKED WITH RED TAPE.
- 3 WIRE IS MARKED WITH YELLOW TAPE.
- 2 WIRE IS MARKED WITH PURPLE TAPE.
- 1 LOCATION OF GROMMET AND PLUG IS DEPENDENT ON LOCATION OF BOX ON CHASSIS.

- 09L SLIDEOUT ROOM FRONT LEFT
- 265 CODES/STANDARDS-CSA/CMVSS
- 1B1 CODES/STANDARDS USA

FIRST USED		
13 H-SERIES		
DO NOT SCALE DRAWING		
TITLE: CHASSIS ELECTRICAL BOX ASM		
SHEET 4	PART NO	REV
	180771	

FOR ELECTRICAL TORQUE SPECIFICATIONS SEE DWG NO. 128783-01-000

FOR ELECTRICAL CALLOUTS SEE DWG NO. 121339-01-000



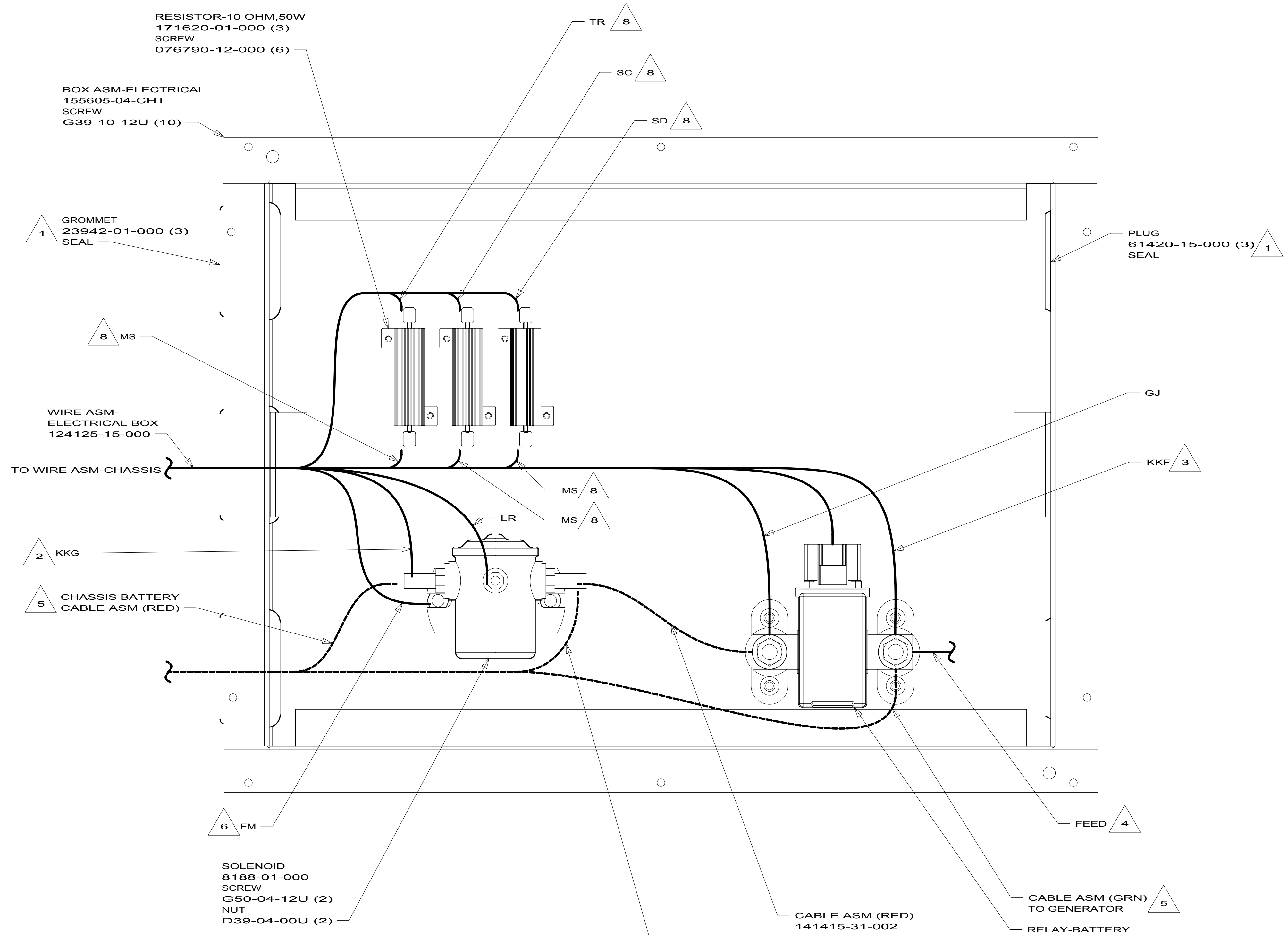
- 10 WIRE IS MARKED WITH WHITE TAPE.
- 9 INSERT TERMINAL FROM CIRCUIT LK INTO FUSE HOLDER SOCKET ON RELAY.
- 8 CIRCUIT IS FROM WIRE ASM-CHASSIS.
- 7 INSERT TERMINAL FROM CIRCUIT LJ INTO FUSE HOLDER SOCKET ON RELAY.
- 6 SECURE WITH SOLENOID MOUNTING SCREW.
- 5 WIRING INSTL-CHASSIS FOR ADDITIONAL INFORMATION.
- 4 WIRE IS MARKED WITH RED TAPE.
- 3 WIRE IS MARKED WITH YELLOW TAPE.
- 2 WIRE IS MARKED WITH PURPLE TAPE.
- 1 LOCATION OF GROMMET AND PLUG IS DEPENDENT ON LOCATION OF BOX ON CHASSIS.

- 19D SLIDEOUT ROOM REAR LEFTHAND
- 09L SLIDEOUT ROOM FRONT LEFT
- 265 CODES/STANDARDS-CSA/CMVSS
- 1B1 CODES/STANDARDS USA

FIRST USED	
13 H-SERIES	
DO NOT SCALE DRAWING	
TITLE: CHASSIS ELECTRICAL BOX ASM	
SHEET 5	PART NO. 180771 REV

FOR ELECTRICAL TORQUE SPECIFICATIONS SEE DWG NO. 128783-01-000

FOR ELECTRICAL CALLOUTS SEE DWG NO. 121339-01-000



- 8 CIRCUIT IS FROM WIRE ASM-CHASSIS.
- 7 INSERT TERMINAL FROM CIRCUIT LJ INTO FUSE HOLDER SOCKET ON RELAY.
- 6 SECURE WITH SOLENOID MOUNTING SCREW.
- 5 WIRING INSTL-CHASSIS FOR ADDITIONAL INFORMATION.
- 4 WIRE IS MARKED WITH RED TAPE.
- 3 WIRE IS MARKED WITH YELLOW TAPE.
- 2 WIRE IS MARKED WITH PURPLE TAPE.
- 1 LOCATION OF GROMMET AND PLUG IS DEPENDENT ON LOCATION OF BOX ON CHASSIS.

265 CODES/STANDARDS-CSA/CMVSS
1B1 CODES/STANDARDS USA

1B1 265

FIRST USED		
13 H-SERIES		
DO NOT SCALE DRAWING		
TITLE: CHASSIS ELECTRICAL BOX ASM		
SHEET 6	PART NO 180771	REV

FOR ELECTRICAL TORQUE SPECIFICATIONS SEE DWG NO. 128783-01-000

FOR ELECTRICAL CALLOUTS SEE DWG NO. 121339-01-000