



**DANGER**

**Danger of electrical shock, burns or death.** Always remove all power sources before attempting any repair, service or diagnostic work. Power can be present from shore power, generator, inverter or battery. All power sources must be disabled and secured before performing any service.



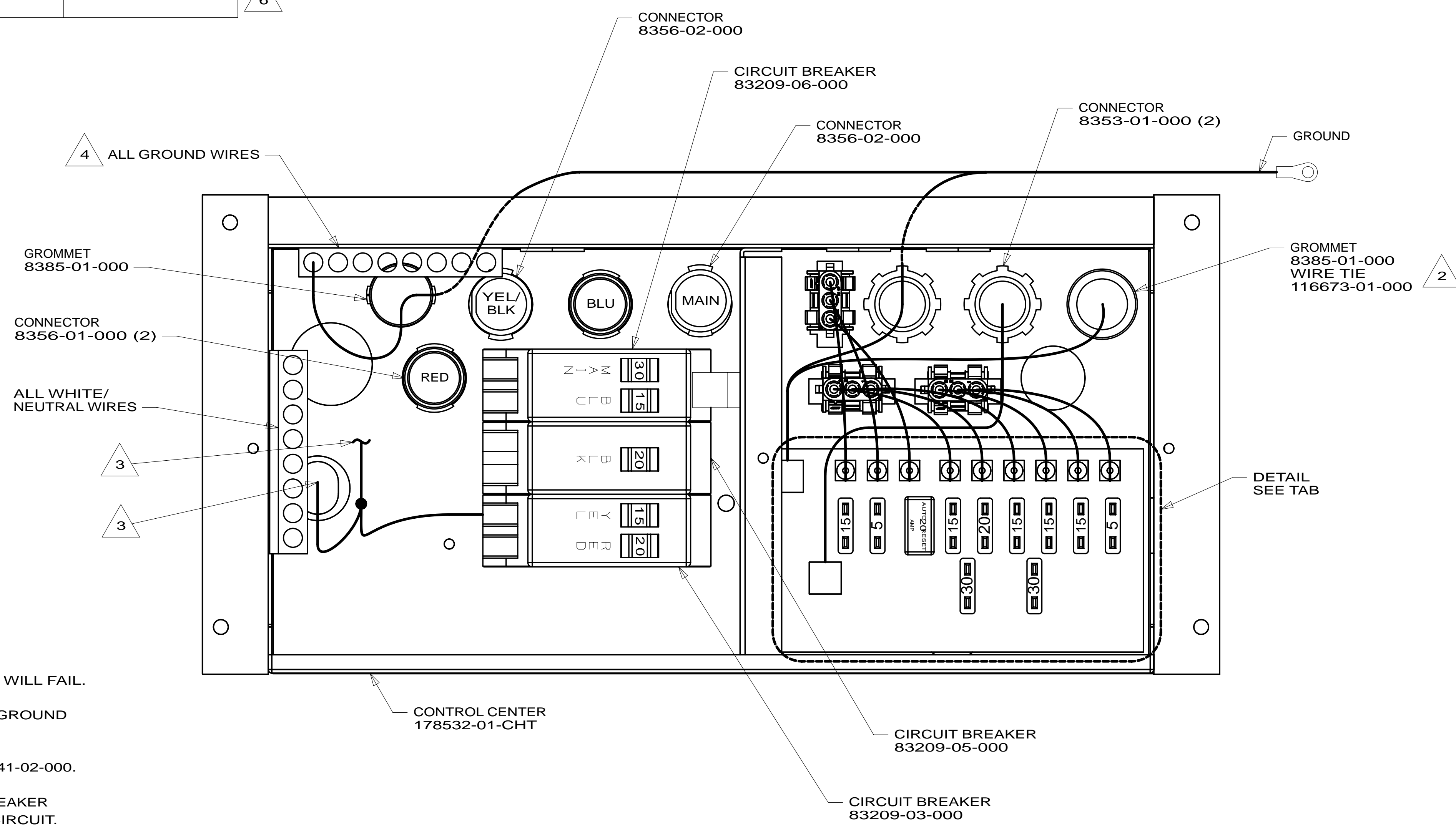
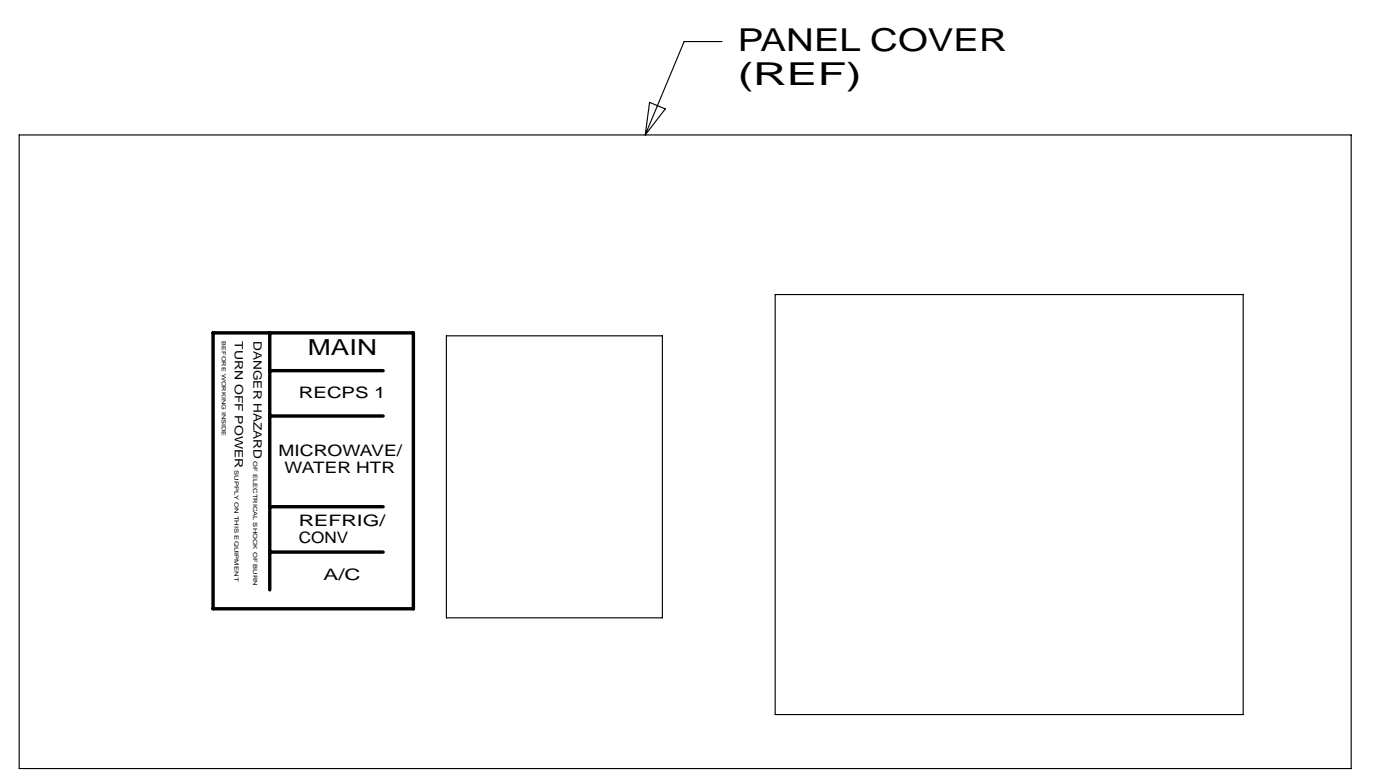
**CAUTION**

If you lack the skills, tools or equipment to perform diagnostic or repair work leave such work to an authorized Winnebago Industries dealer or other qualified shop.

DRAWING NO.	MODEL	DETAIL
180735-01	170X	BB
180735-02	170A	BC

RELEASE	REV/DATE	DWG NO	180735
REV ZONE	REVISION RECORD	DATE	DFT-ORIG

	170X	170A
MAIN EXTENSION	1B1 136137-01-010	136137-01-014
	265 136138-01-010	136138-01-014
WIRE ASM-110V	1B1 179189-01-000	181461-01-000
	265 179189-02-000	181461-02-000
GROUND-MAIN	178545-01-066 $\triangle 5$	178545-01-083 $\triangle 5$
GROUND-ALS/ATS	136145-06-066 $\triangle 5$	136145-06-070 $\triangle 5$
CORD-POWER ASM	183140-01-000	183140-01-000 $\triangle 6$



- $\triangle 6$  DO NOT HI-POT POWERCORD, LED INDICATOR LIGHT WILL FAIL.
  - $\triangle 5$  GROUND WIRES TO BE INSTALLED ON MFG LINE. SHIP GROUND WIRES LOOSE WITH LOAD CENTER.
  - $\triangle 4$  ALL GROUND WIRE TO BE COVERED WITH TUBING 8041-02-000.
  - $\triangle 3$  CONNECT CONVERTER POWER CIRCUIT INTO YELLOW BREAKER AND USE SUPPLIED WIRE NUT TO CONNECT YELLOW CIRCUIT.
  - $\triangle 2$  INSERT GROMMET FROM THE INSIDE OF CONTROL CENTER SECURE WIRES TO BACKSIDE OF LOAD CENTER WITH WIRE TIE.
1. ALL GROUND WIRES TO BE COVERED WITH TUBING 8041-02-000.

- 265 CODES/STANDARDS-CSA/CMVSS
- 1B1 CODES/STANDARDS USA

**WINNEBAGO** COPYRIGHT 2011 WINNEBAGO INDUSTRIES, INC.

DFT-ORIG	ORIG. DATE
CHKR	ALL DIMENSIONS ARE IN MILLIMETERS
P.E.	FIRST USED
M.E.	13 100-SERIES
DSNR	

UNSPECIFIED TOLERANCES ARE: MATERIAL:

WHOLE DIM (X) :  
ONE-PLACE (X.X) :  
TWO-PLACE (X.XX) :  
ANGLE :

THIRD ANGLE PROJECTION

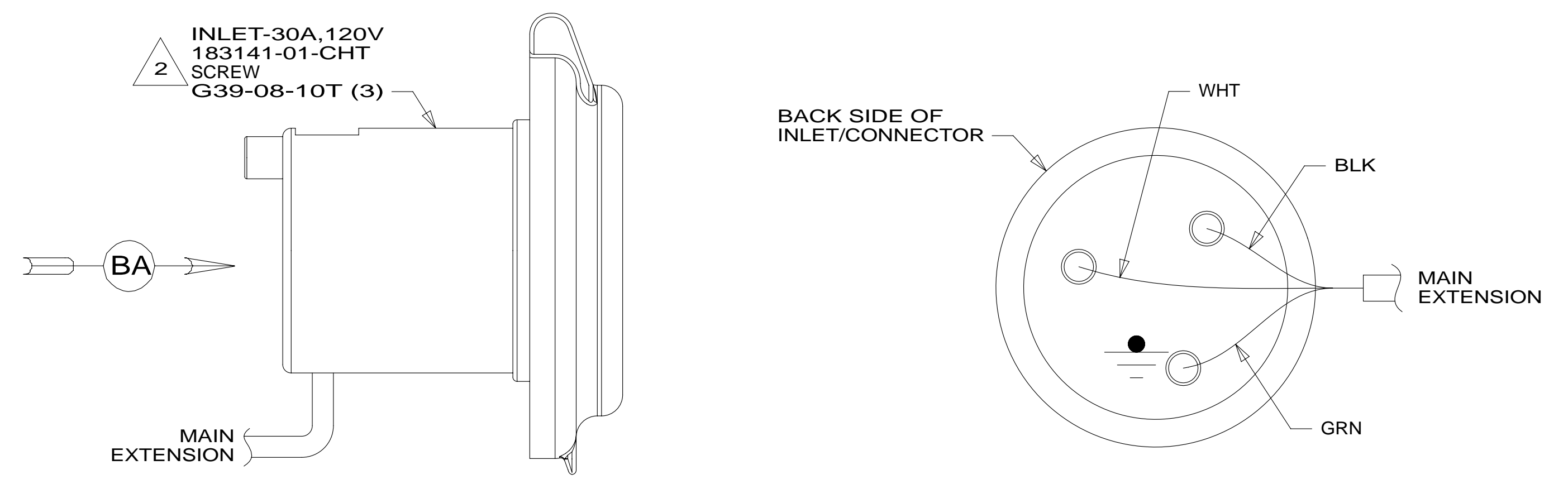
DO NOT SCALE DRAWING REFER TO ES0018 FOR FASTENER TIGHTENING GUIDELINES

TITLE: **LOAD CENTER/ATS ASM**

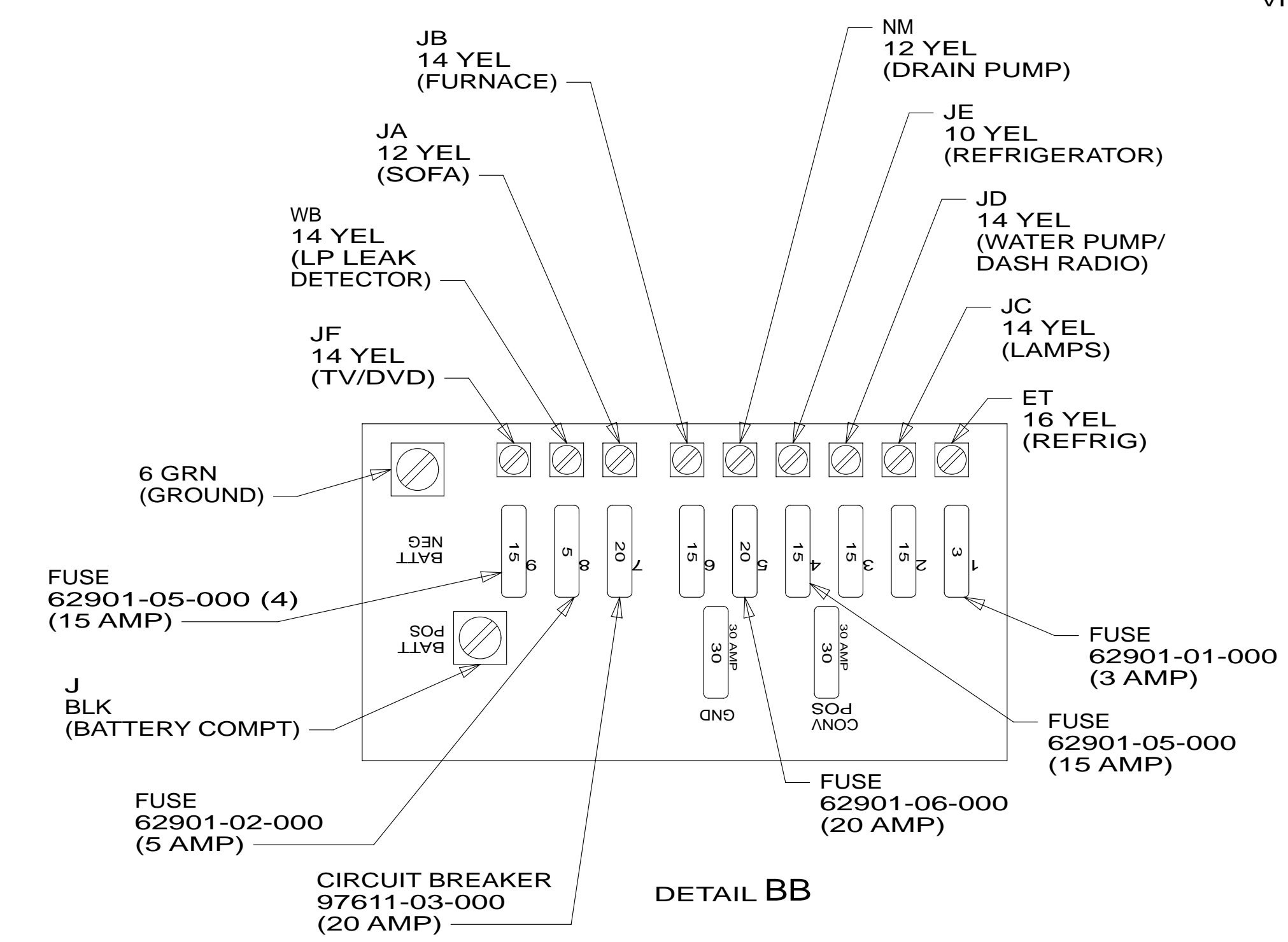
SHEET 1 OF 2 PART NO **180735** REV

FOR ELECTRICAL TORQUE SPECIFICATIONS SEE DWG NO. 128783-01-000

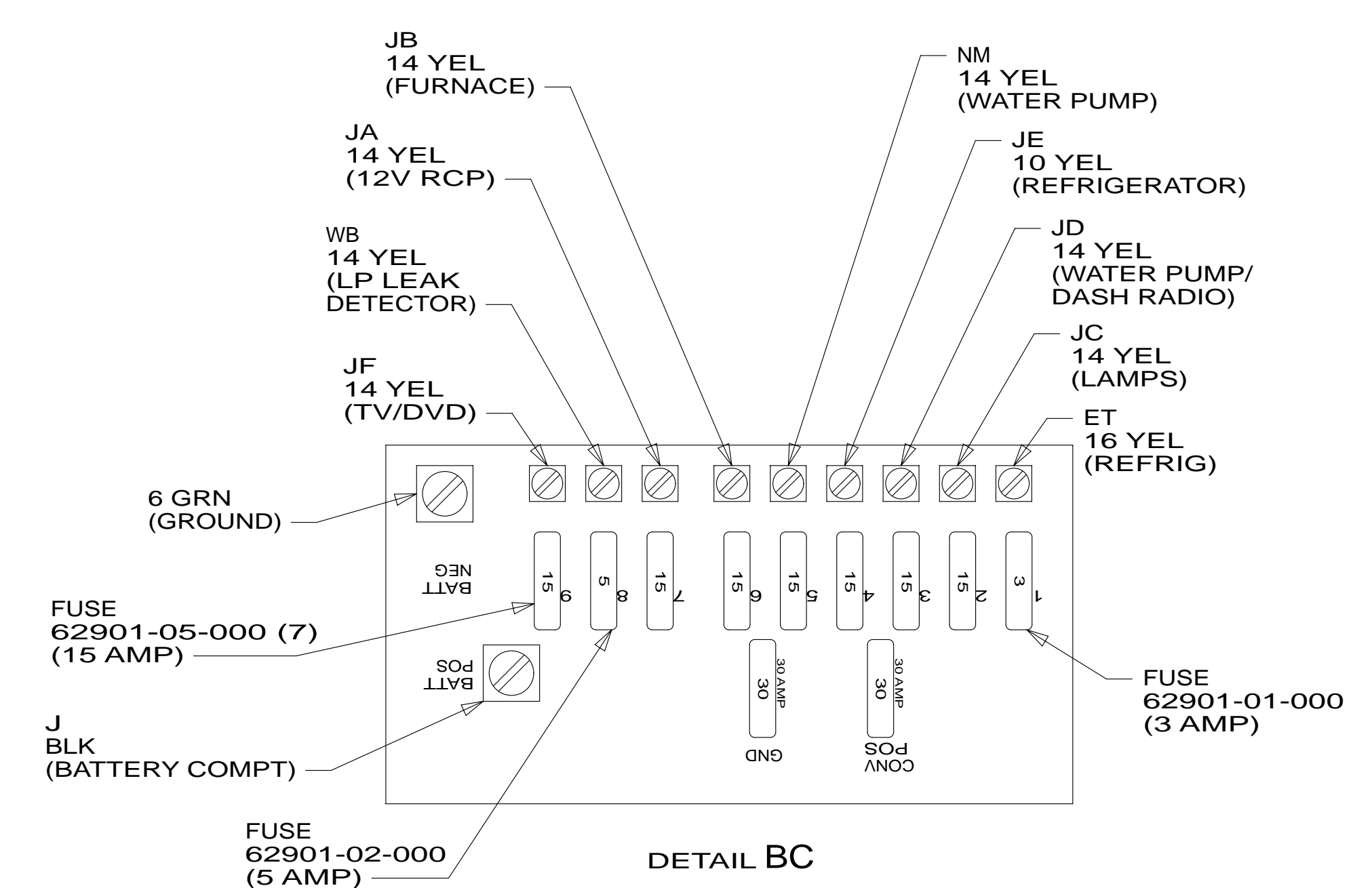
$\odot$  X-X FOR ELECTRICAL CALLOUTS SEE DWG NO. 121339-01-000



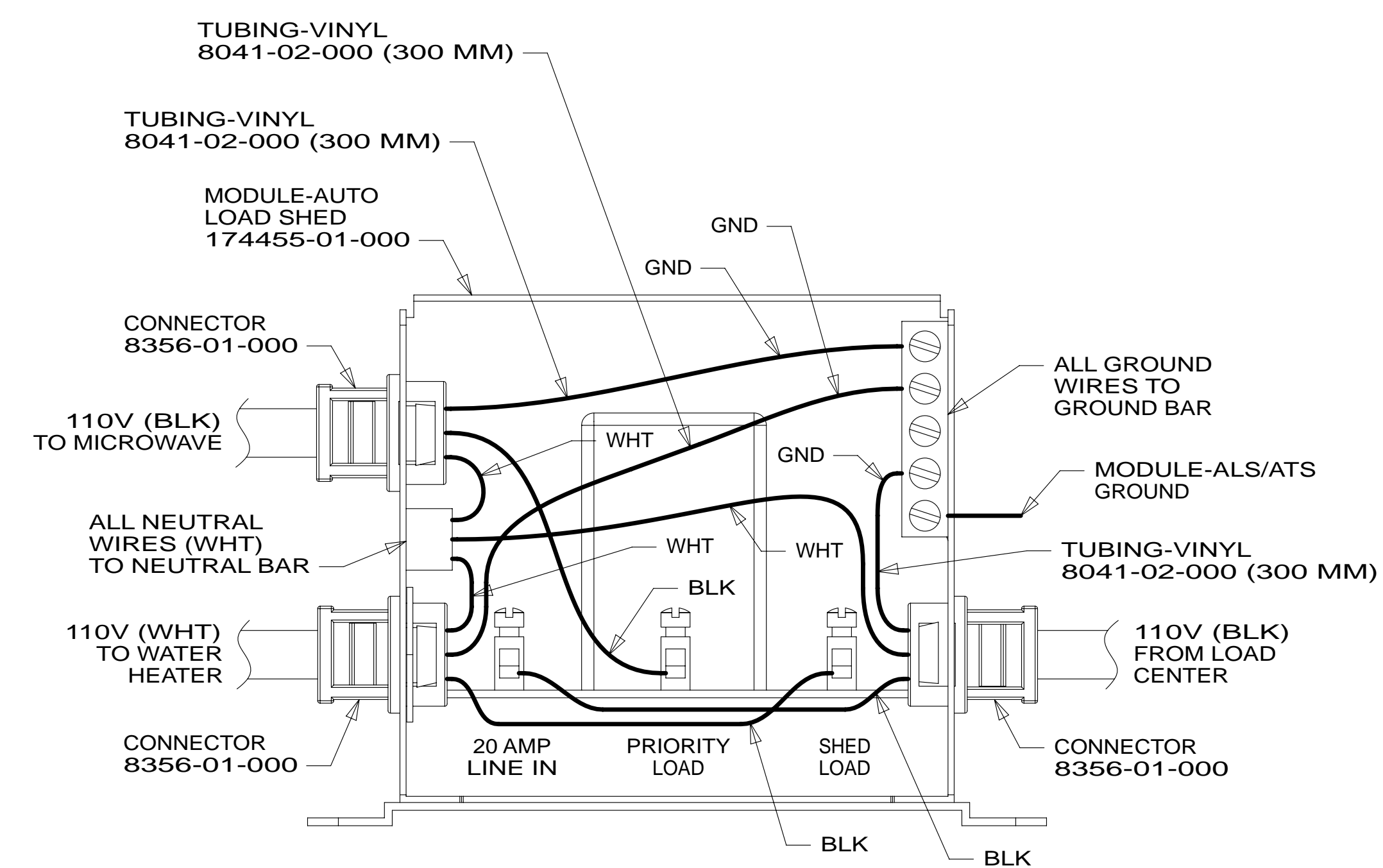
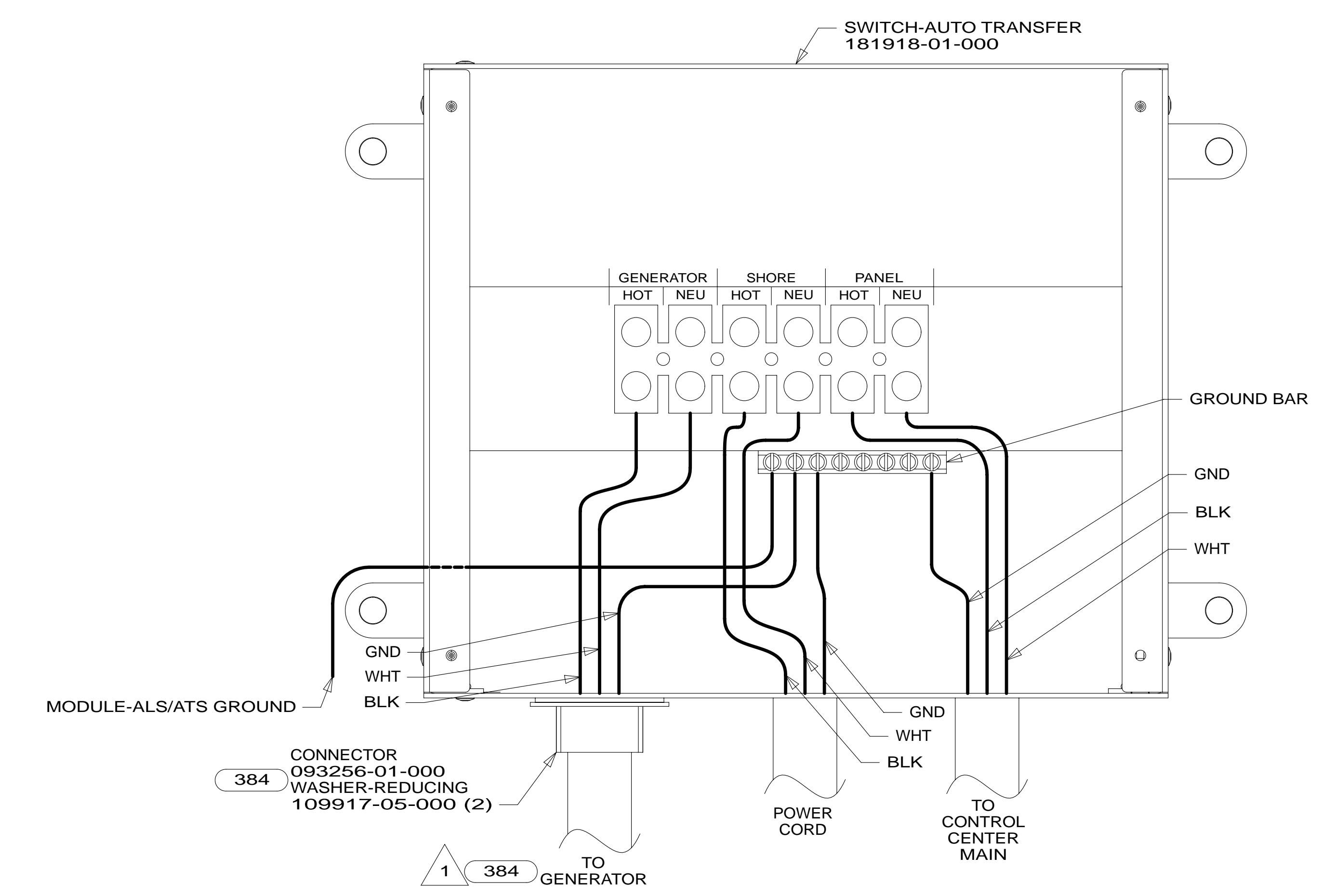
VIEW BA



DETAIL BB



DETAIL BC



NOTES:  
 2 DO NOT HI-POT INLET, LED INDICATOR LIGHT WILL FAIL.  
 1 SEE GENERATOR INSTL FOR ADDITIONAL INFORMATION.

FOR ELECTRICAL TORQUE SPECIFICATIONS SEE DWG NO. 128783-01-000

FOR ELECTRICAL CALLOUTS SEE DWG NO. 121339-01-000

- 384 GEN 2.5KW ONAN-MICROLITE
- 265 CODES/STANDARDS-CSA/CMVSS
- 1B1 CODES/STANDARDS USA

FIRST USED	
<b>13 100-SERIES</b>	
DO NOT SCALE DRAWING	
TITLE: <b>LOAD CENTER/ATS ASM</b>	
SHEET 2	PART NO <b>180735</b> REV