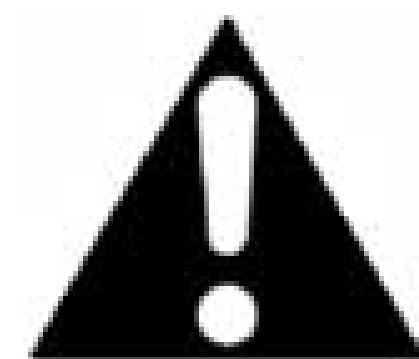




DANGER

Danger of electrical shock, burns or death. Always remove all power sources before attempting any repair, service or diagnostic work. Power can be present from shore power, generator, inverter or battery. All power sources must be disabled and secured before performing any service.



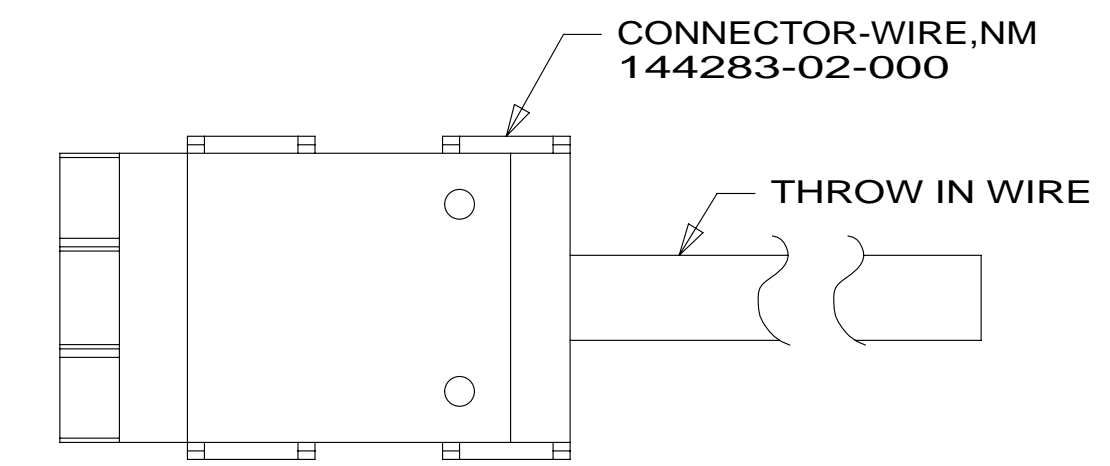
CAUTION

If you lack the skills, tools or equipment to perform diagnostic or repair work leave such work to an authorized Winnebago Industries dealer or other qualified shop.

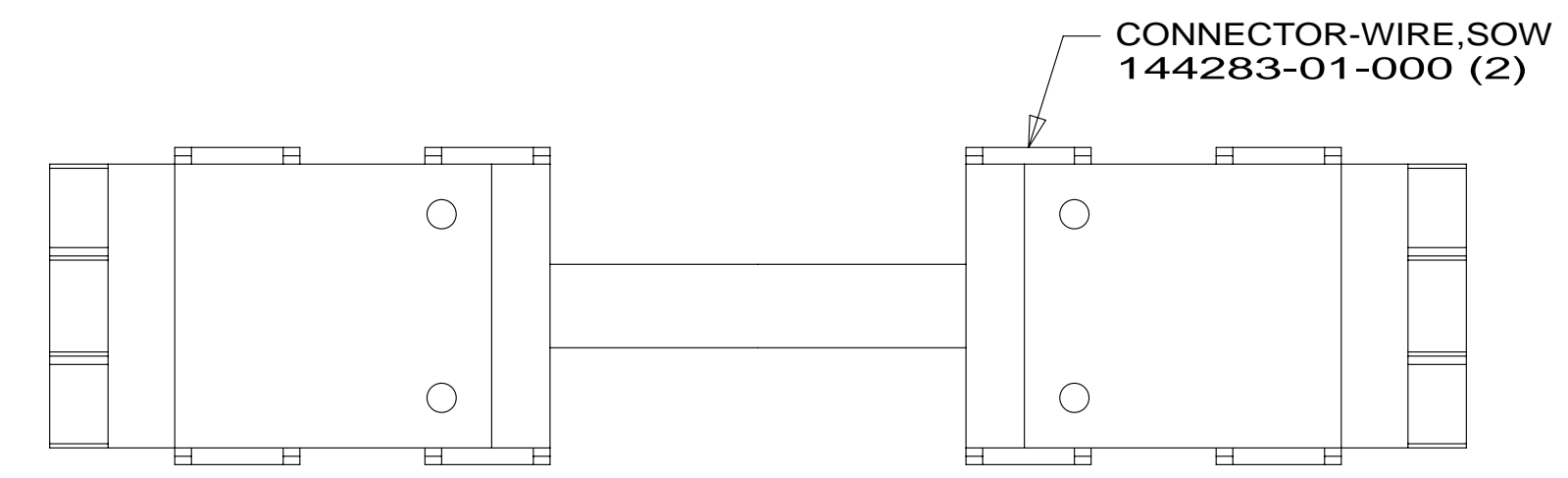
DRAWING NO.	MODEL
180651-01	727K
180651-02	728T
180651-03	730C

RELEASE	REV/DATE	DWG NO	180651
REV ZONE	REVISION RECORD	DATE	DTR-ORIG

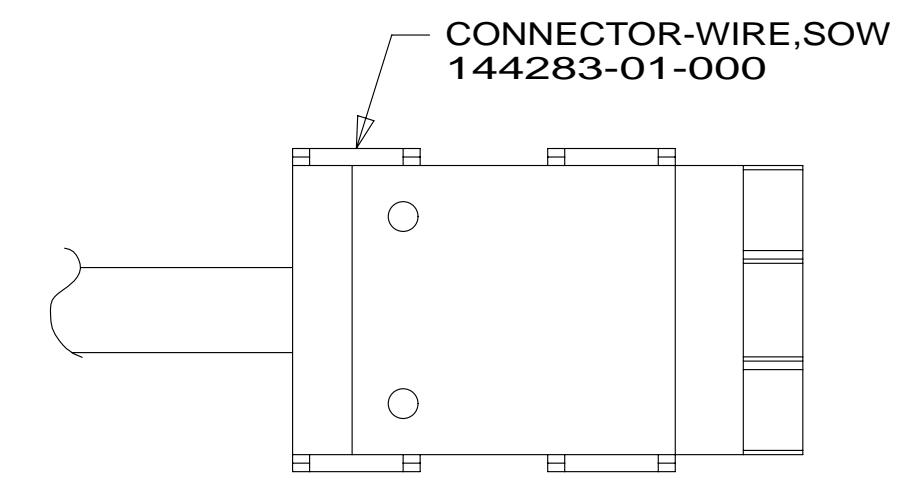
		727K	730C
GROUND	8-G	136145-02-022	136145-02-015
WIRE ASM-110V US		180583-01-000	181711-01-000
WIRE ASM-110V CA		180583-02-000	181711-02-000
WIRE ASM-INVERTER EXTENSION			182730-01-000
GENERATOR CABLE ASM	UL	8022-01-000 (6400)	8022-01-000 (3600)
	CA	24743-01-000 (6400)	24743-01-000 (3600)
CONDUIT		91234-01-000 (6000)	91234-01-000 (3200)
THROW IN #1	UL	136131-03-007 ²	136131-02-040 (1D3)
	CA	136134-03-007 ²	136134-02-040 (1D3)
THROW IN #2	UL	136131-03-018	136131-03-007
	CA	136134-03-018	136134-03-007
THROW IN #3	UL	136135-06-005	
	CA	136136-06-005	
THROW IN #4	UL	136131-03-030	136131-19-003
	CA	136134-03-030	136134-19-003
THROW IN #5	UL	136131-19-020	136131-19-007
	CA	136134-19-020	136134-19-007
THROW IN #6	UL	136131-19-008	
	CA	136134-19-008	
SLIDEOUT WIRE #1			136151-03-020
ALS GND	8-G	136145-01-028	136145-01-015
ATS GND	8-G	136145-01-015	136145-01-012



DETAIL AA



DETAIL AB



DETAIL AC

- (401) INVERTER-DC/AC, 1000 WATT
- (42B) TV, REAR-WITHOUT
- (1D3) ENTERTAIN CENTR/EXT TV-DVD
- (41Q) SOFA/SLEEPER-ULTRALEATHER HP
- (265) CODES/STANDARDS-CSA/CMVSS
- (1B1) CODES/STANDARDS USA

WINNEBAGO COPYRIGHT 2011 WINNEBAGO INDUSTRIES, INC.

DTR	ORIG. DATE
CHKR	ALL DIMENSIONS ARE IN MILLIMETERS
P.E.	
M.E.	FIRST USED
DSNR	13 700-SERIES

UNSPECIFIED TOLERANCES ARE:

WHOLE DIM (X)	: 3
ONE-PLACE (X.X)	: 1.5
TWO-PLACE (X.XX)	: 0.50
ANGLE	: 1°

THIRD ANGLE PROJECTION

DO NOT SCALE DRAWING REFER TO ES0018 FOR FASTENER TIGHTENING GUIDELINES

TITLE: **LOAD CENTER/ATS ASM**

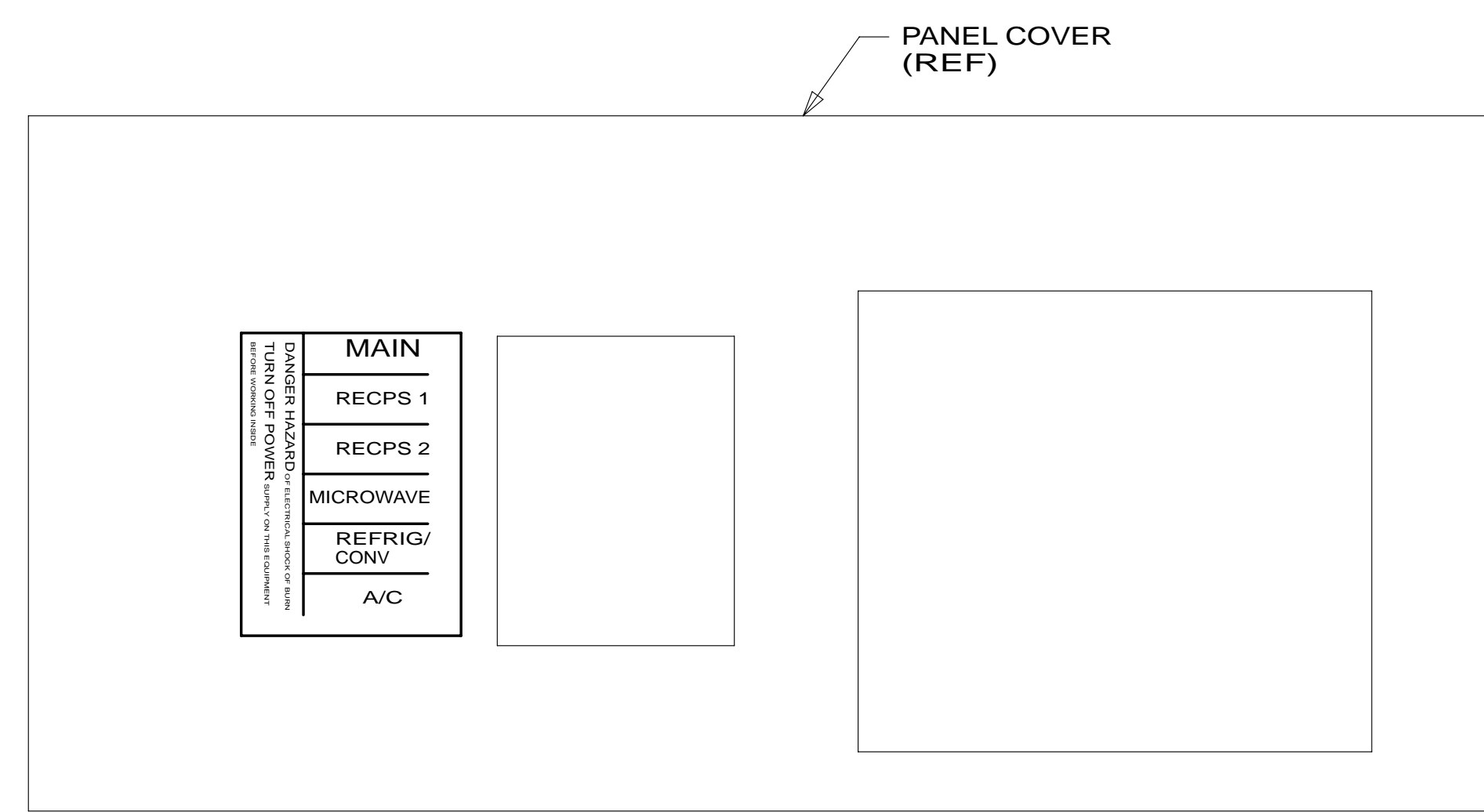
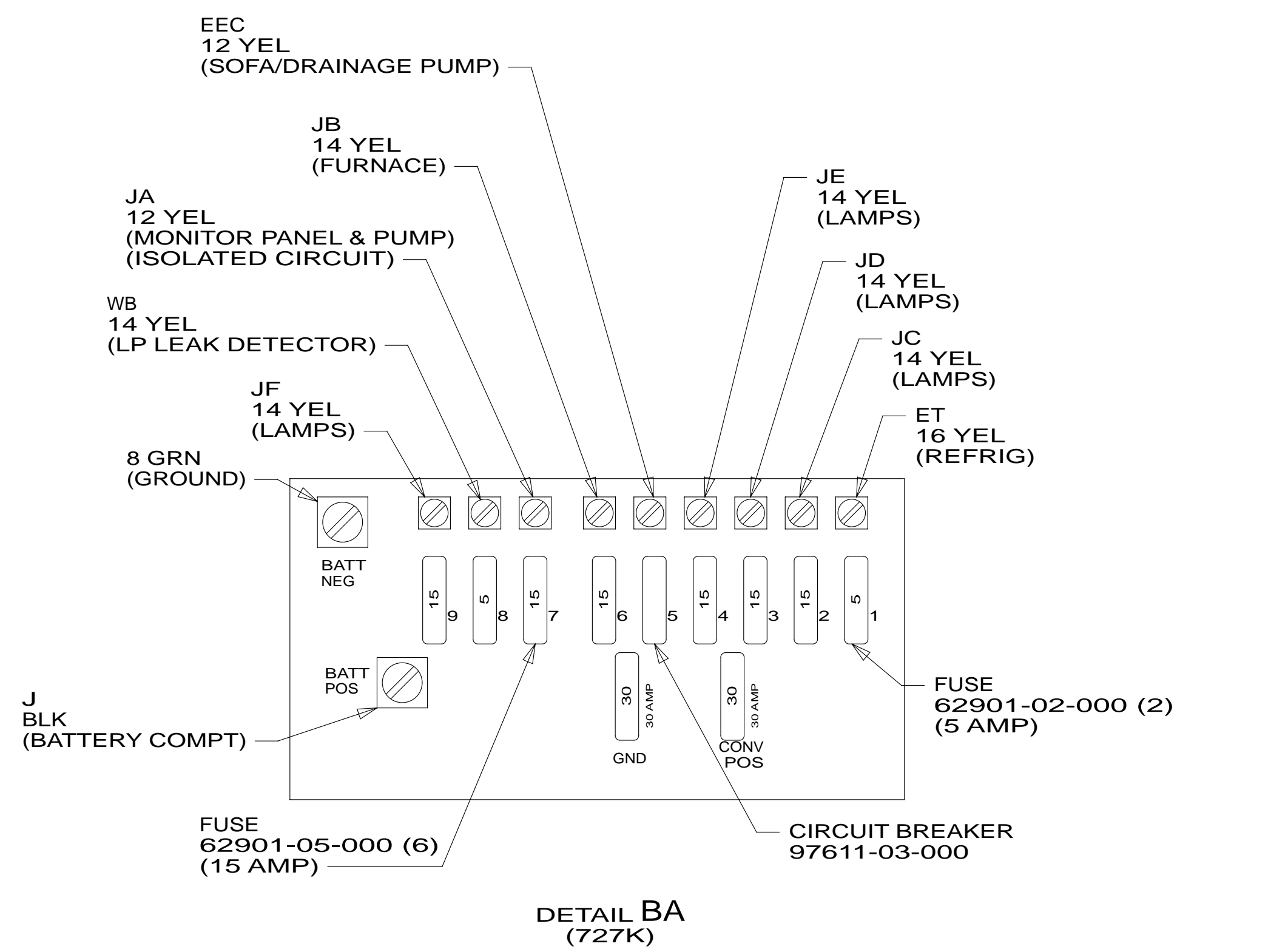
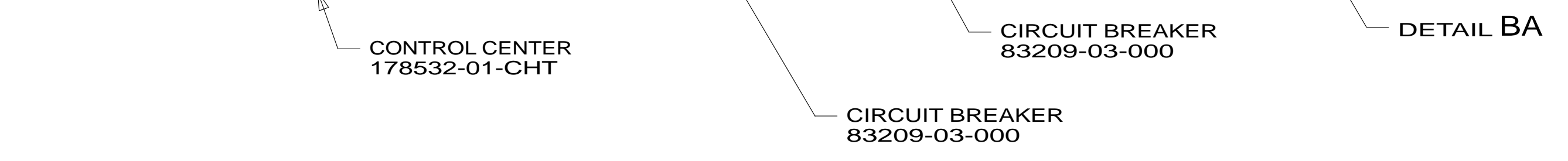
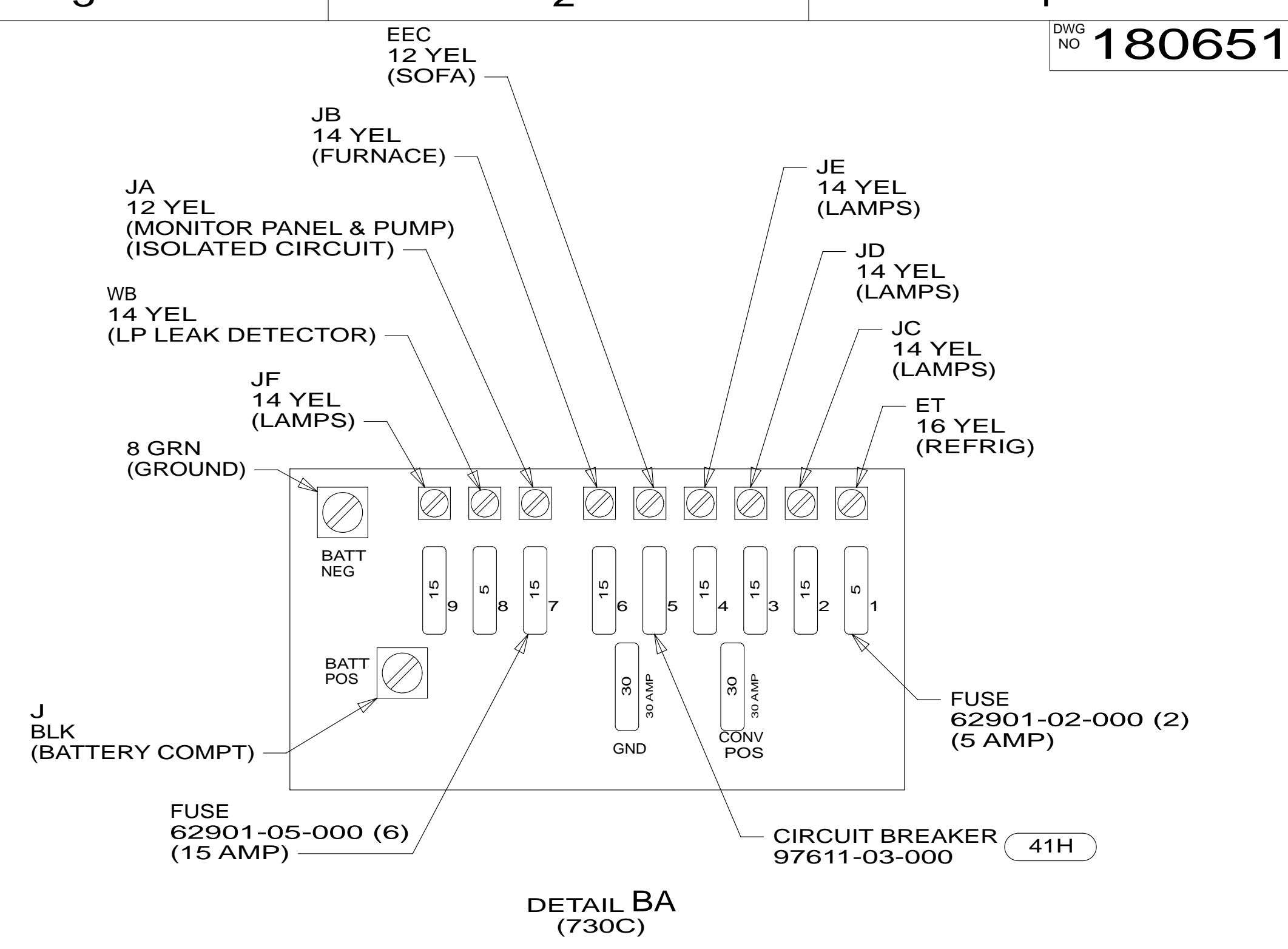
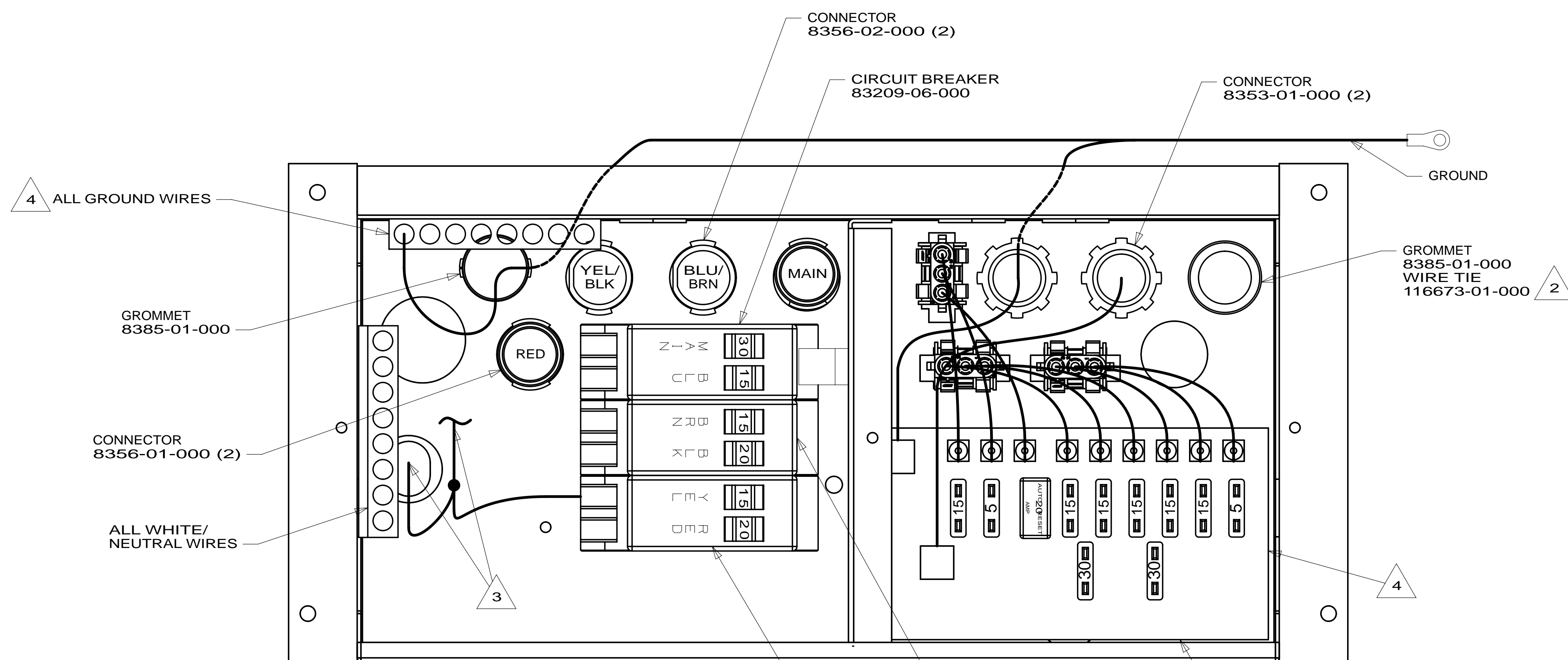
SHEET 1 OF 4 PART NO **180651** REV

- NOTES:
- ⁷ MODEL 728T DROPPED FOR 2013.
 - ⁶ FOR INVERTER INFORMATION SEE SHEET 4.
 - ⁵ FOR MORE INFORMATION SEE DETAIL CA.
 - ⁴ FOR CONNECTOR INSTALLATION SEE DETAIL AC.
 - ³ FOR CONNECTOR INSTALLATION SEE DETAIL AB.
 - ² FOR CONNECTOR INSTALLATION SEE DETAIL AA.
 - 1. ALL GROUND WIRES TO BE COVERED WITH TUBING 8041-02-000.

- ⁹ WITH BLACK PERMANENT MARKER, IDENTIFY MOLEX HOUSING WITH #1.
- ⁸ APPLY CONDUIT-CONVOLUTE 41953-05-000 OVER WIRE AND SECURE BOTH ENDS OF TUBING TO WIRE WITH TAPE 8363-01-000.

FOR ELECTRICAL TORQUE SPECIFICATIONS SEE DWG NO. 128783-01-000

(X-X) FOR ELECTRICAL CALLOUTS SEE DWG NO. 121339-01-000



- 41H REST EASY, ULTRALEATHER
- 265 CODES/STANDARDS-CSA/CMVSS
- 1B1 CODES/STANDARDS USA

1B1 265

FIRST USED

13 700-SERIES

DO NOT SCALE DRAWING

TITLE: **LOAD CENTER/ATS ASM**

SHEET 2 PART NO **180651** REV

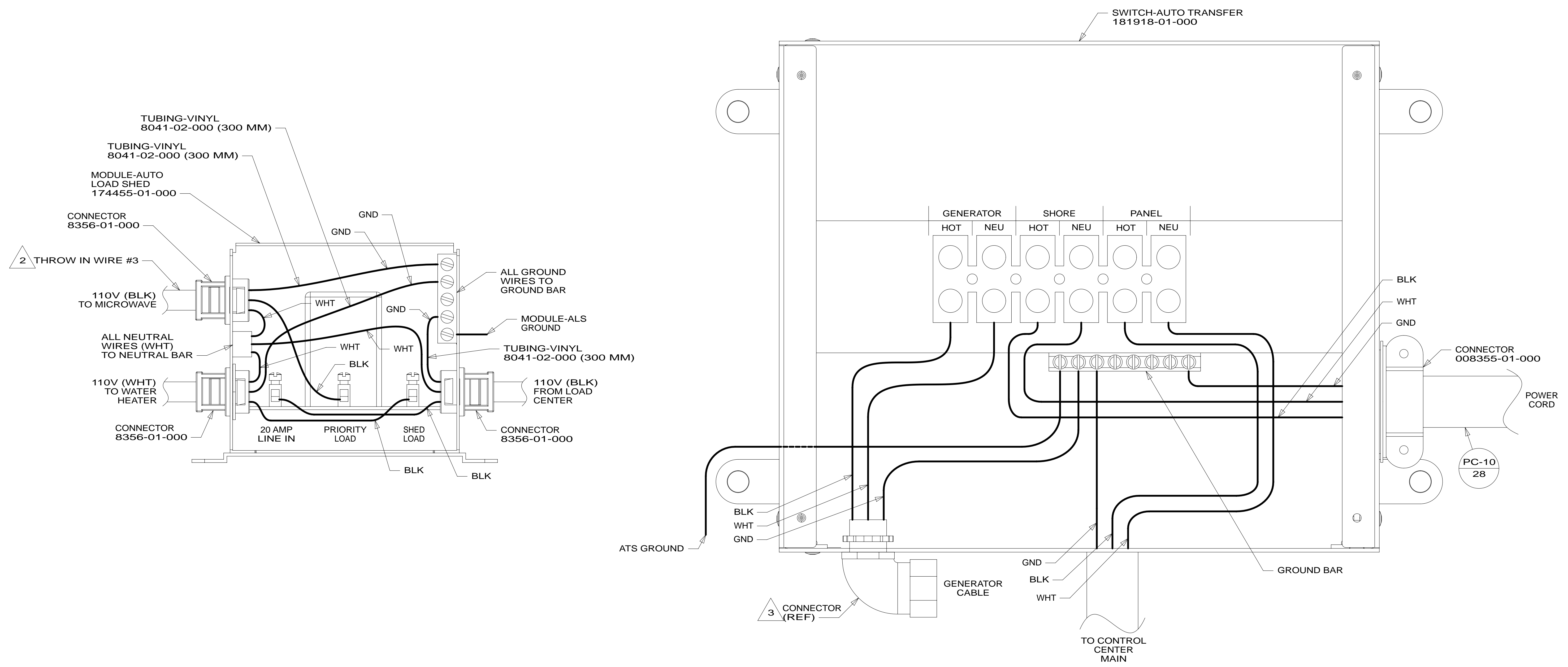
FOR ELECTRICAL TORQUE SPECIFICATIONS SEE DWG NO. 128783-01-000

X-X

FOR ELECTRICAL CALLOUTS SEE DWG NO. 121339-01-000

- 4 SEE WIRING INSTL-BODY,12V FOR ADDITIONAL INFORMATION.
- 3 CONNECT CONVERTER POWER INTO YELLOW BREAKER AND USE SUPPLIED WIRE NUT TO CONNECT YELLOW CIRCUIT.
- 2 SECURE WIRES TO BACKSIDE OF LOAD CENTER WITH WIRE TIE 116673-01-000.
1. ALL GROUND WIRES TO BE COVERED WITH TUBING 8041-02-000.

NOTES:



- NOTES:
- 3 SEE WIRING INSTL-BODY,110V FOR ADDITIONAL INFORMATION.
 - 2 NOT USED ON 730C.
 - 1 SEE GENERATOR INSTALLATION FOR ADDITIONAL INFORMATION.

FOR ELECTRICAL TORQUE SPECIFICATIONS SEE DWG NO. 128783-01-000

FOR ELECTRICAL CALLOUTS SEE DWG NO. 121339-01-000

- 265 CODES/STANDARDS-CSA/CMVSS
- 1B1 CODES/STANDARDS USA
- 1B1 265

FIRST USED

13 700-SERIES

DO NOT SCALE DRAWING

TITLE: **LOAD CENTER/ATS ASM**

SHEET 3 PART NO **180651** REV

8 7 6 5 4 3 2 1

D

D

C

C

B

B

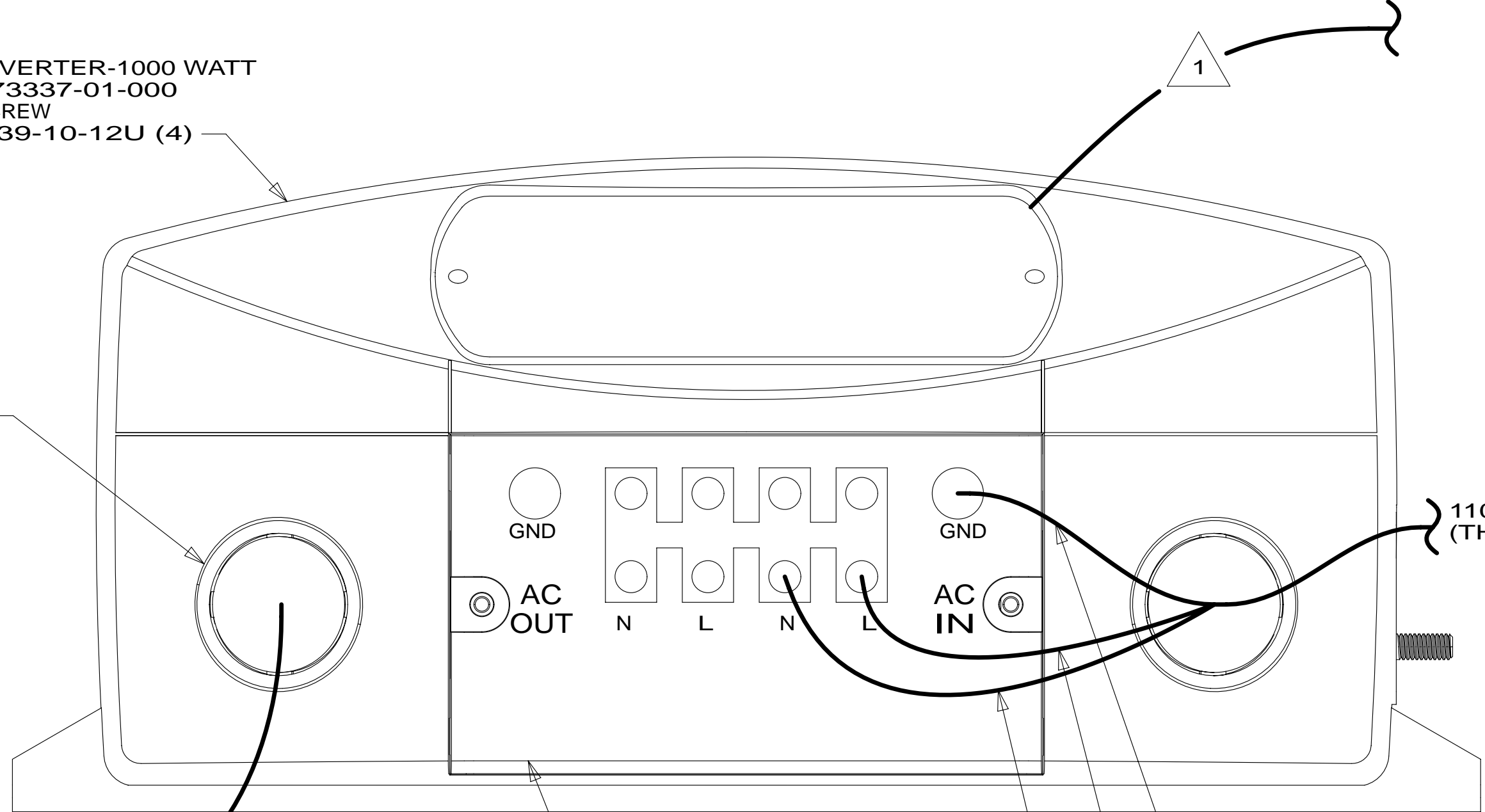
A

A



INVERTER-1000 WATT
173337-01-000
SCREW
G39-10-12U (4)

CONNECTOR
8356-01-000 (2)



INVERTER OUTPUT 110V (BRN-2)
DETAIL DA
(THROW IN WIRE #5)

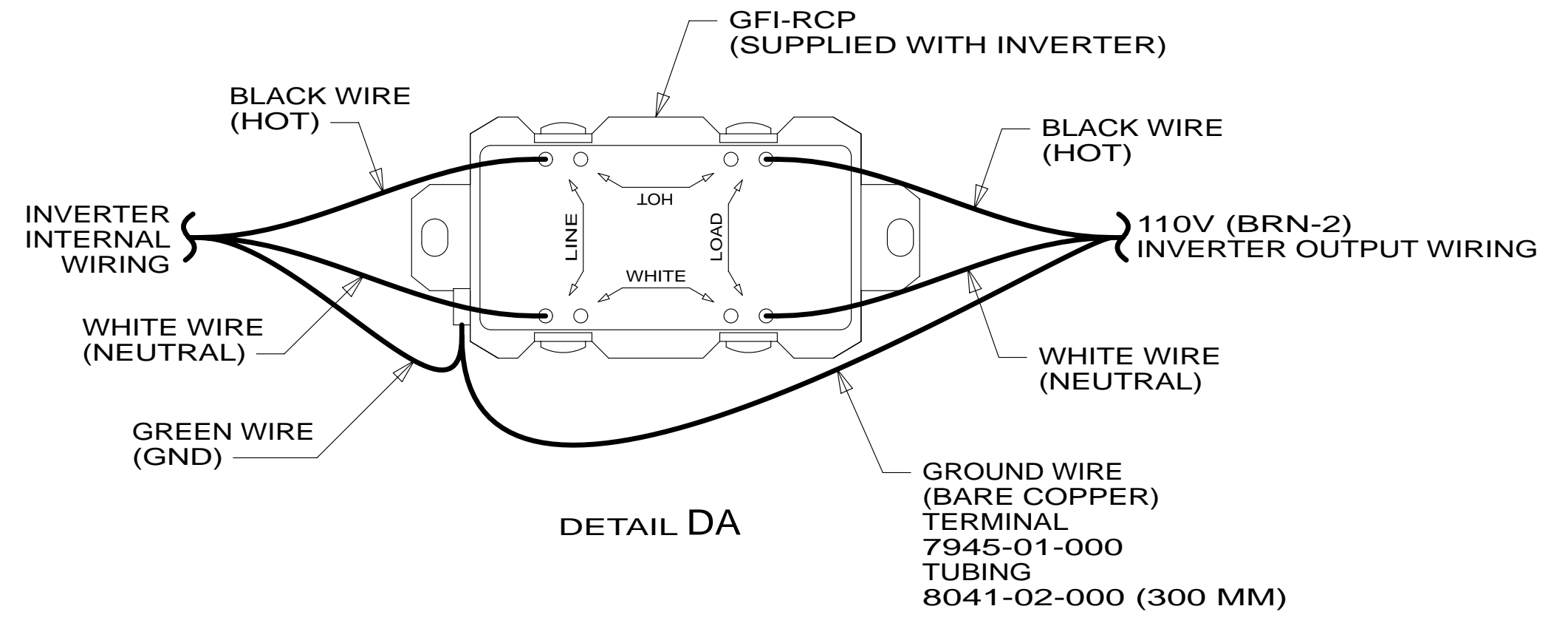
SHOWN WITH GFI RCP/COVER PLATE REMOVED TO SHOW WIRE CONNECTIONS

GROUND WIRE (BARE COPPER)
TERMINAL
7945-01-000
TUBING
8041-02-000 (300 MM)

BLACK WIRE (HOT)

WHITE WIRE (NEUTRAL)

110V (BRN)
(THROW IN WIRE #2)



DETAIL DA

- 401 INVERTER-DC/AC, 1000 WATT
- 265 CODES/STANDARDS-CSA/CMVSS
- 1B1 CODES/STANDARDS USA

1B1 265 401

FIRST USED	
13 700-SERIES	
DO NOT SCALE DRAWING	
TITLE: LOAD CENTER/ATS ASM	
SHEET 4	PART NO 180651 REV

FOR ELECTRICAL TORQUE SPECIFICATIONS SEE DWG NO. 128783-01-000

FOR ELECTRICAL CALLOUTS SEE DWG NO. 121339-01-000

1 ON 730C COVER REMOTE PANEL COMMUNICATION CABLE WITH CONDUIT-CONVOLUTE 41953-06-000 (4600 MM) STARTING 100 MM FROM INVERTER. SECURE BOTH ENDS WITH TAPE 8363-01-000.

NOTES:

8 7 6 5 4 3 2 1