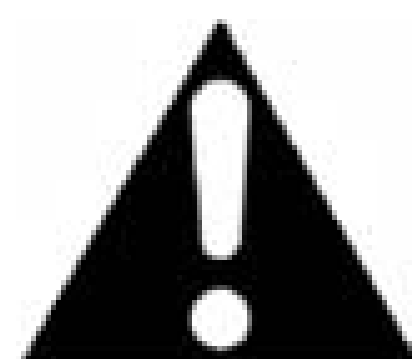




DANGER

Danger of electrical shock, burns or death. Always remove all power sources before attempting any repair, service or diagnostic work. Power can be present from shore power, generator, inverter or battery. All power sources must be disabled and secured before performing any service.

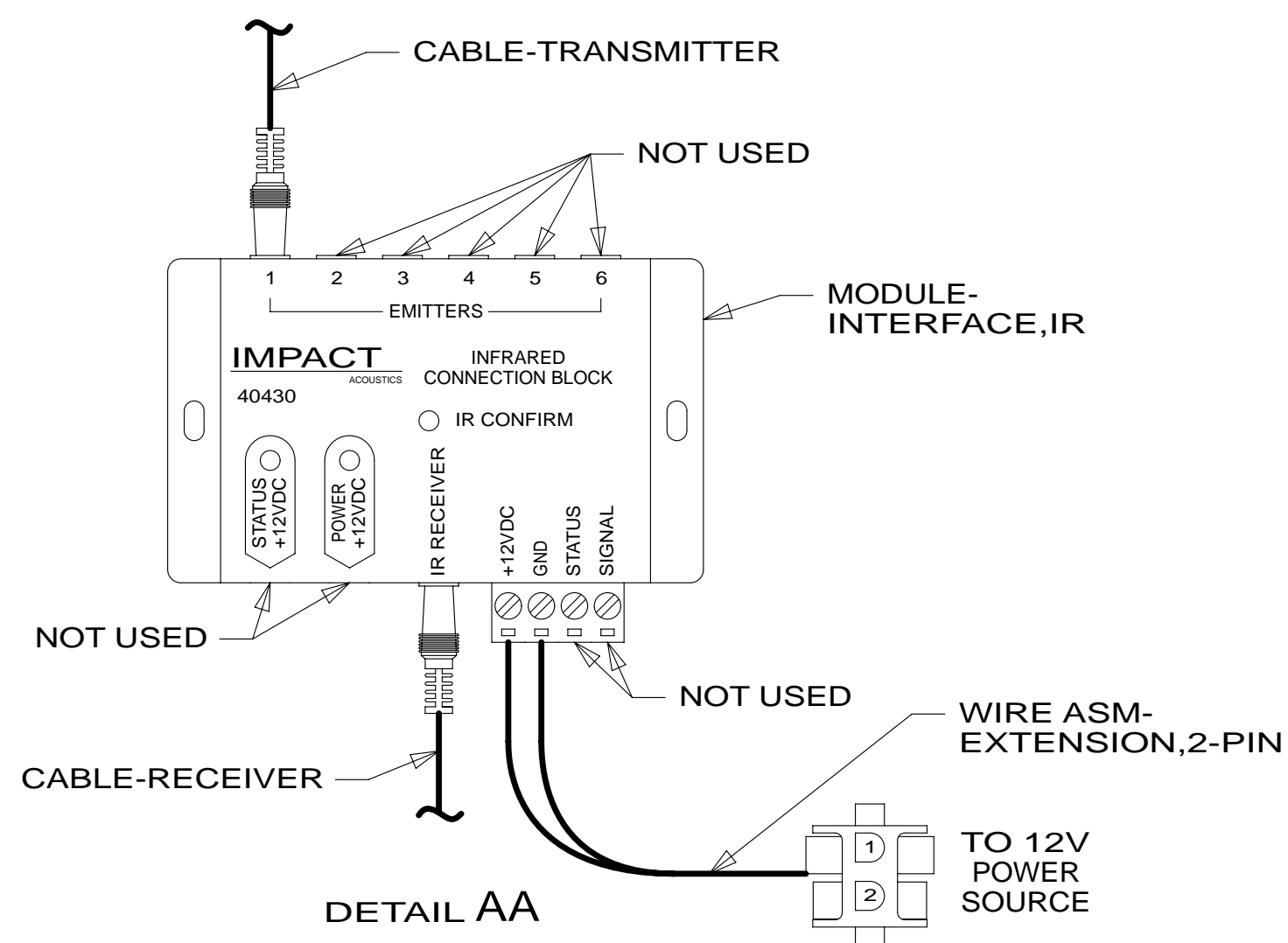


CAUTION

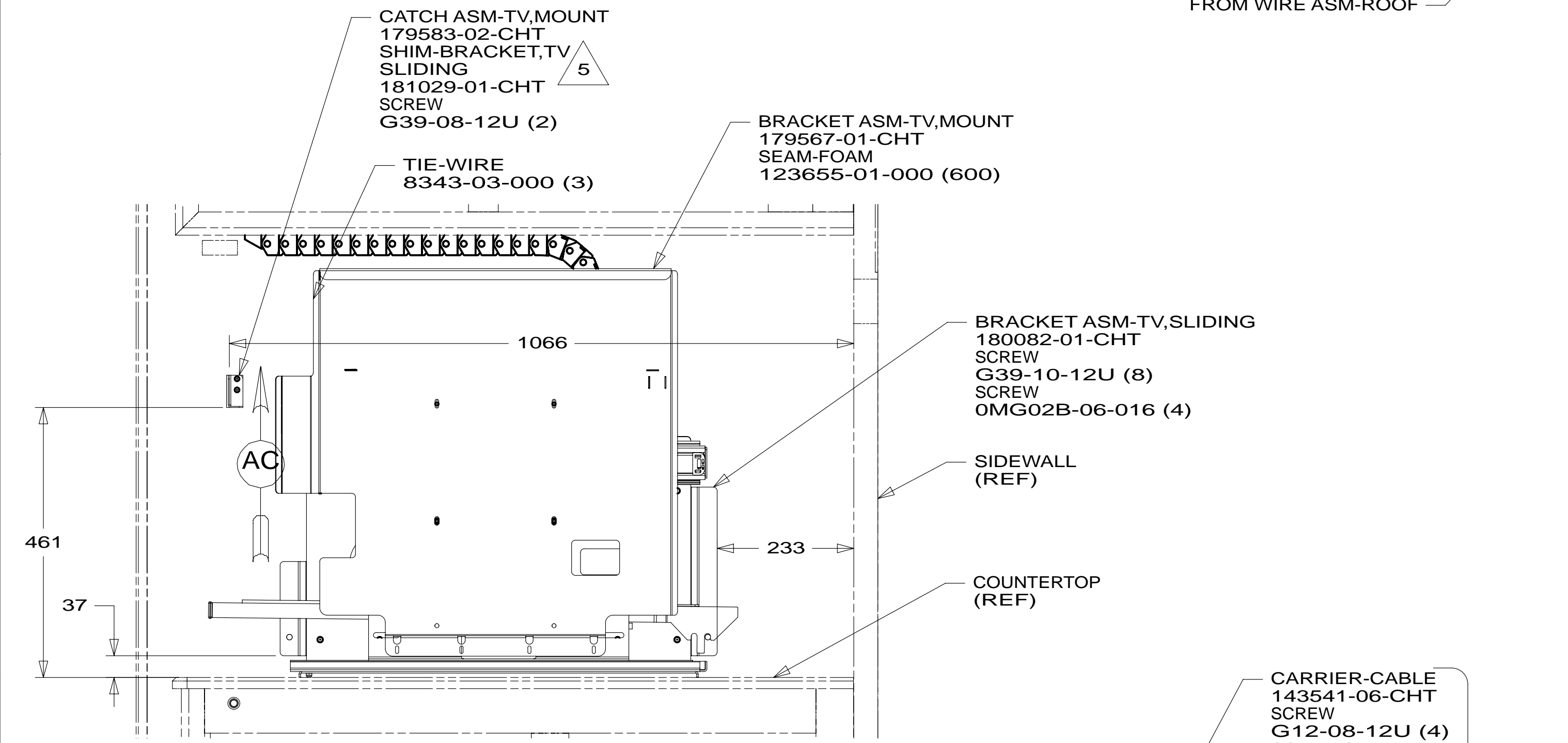
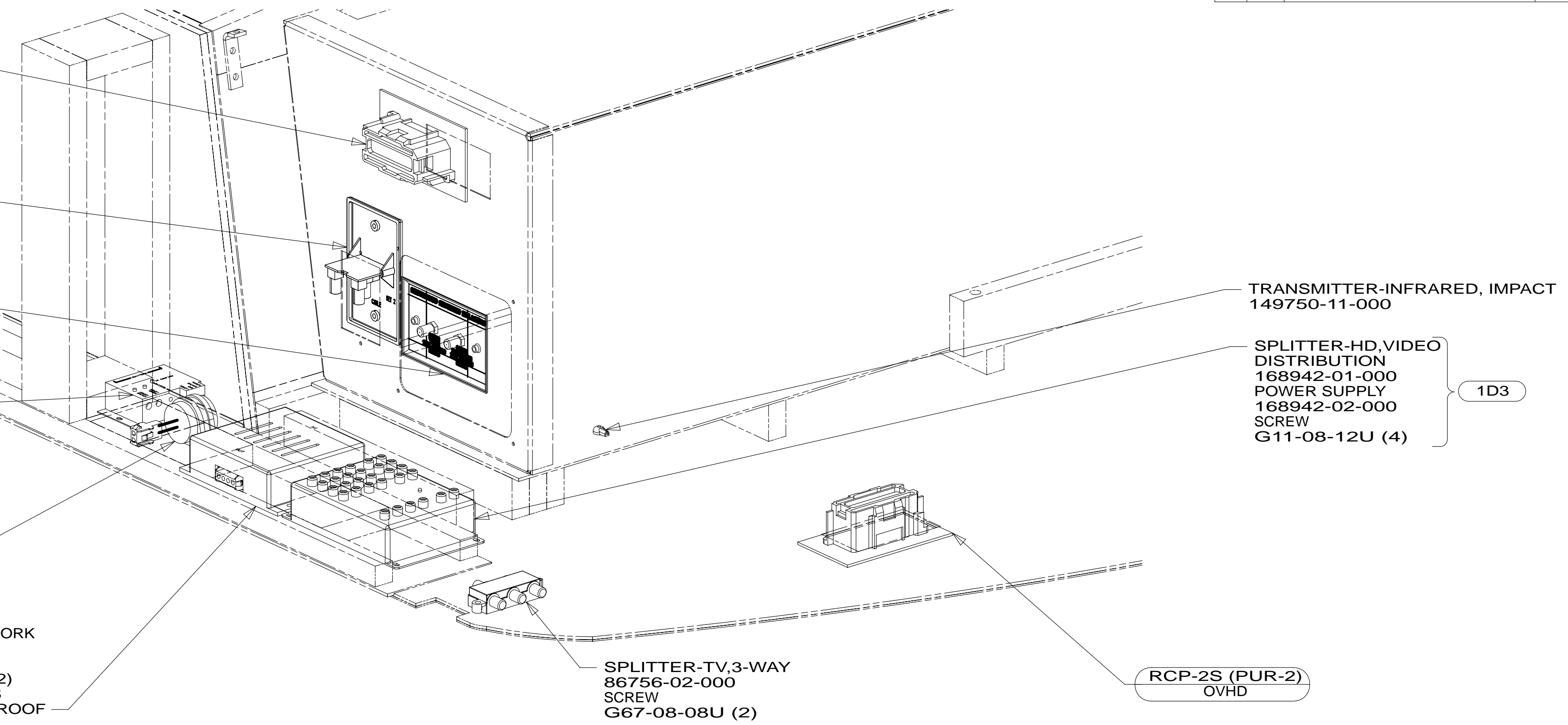
If you lack the skills, tools or equipment to perform diagnostic or repair work leave such work to an authorized Winnebago Industries dealer or other qualified shop.

DRAWING NO.	MODEL	SHEETS
180595-01	D30A	1,7,8
180595-02	D33C	2,3,5,6,9
180595-03	D36V	4,7,10
180595-04	D35G	11,12,13

RELEASE	REV DATE	DWG NO	180595
REV ZONE	REVISION RECORD	DATE	DTR-ORIG



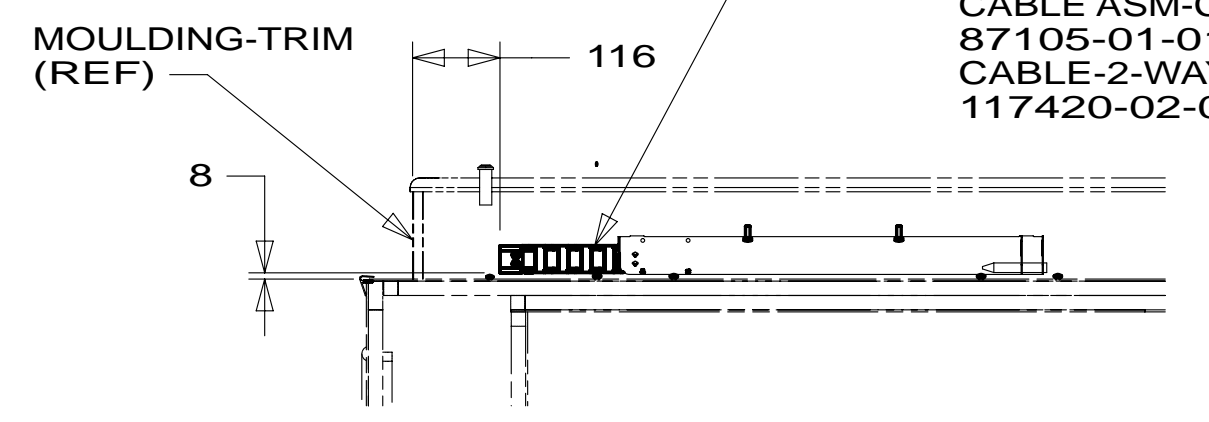
- RCP-2 (PUR-2) OVHD
- 193 PLATE-WALL, POWER SUPPLY 179004-02-CHT SCREW G12-06-08U (2)
- PLATE-WALL, SAT PREP 149557-09-CHT SCREW G67-10-08U (2)
- MODULE-INTERFACE, IR IMPACT 149750-09-000 WIRE ASM-EXTENSION, 2 PIN 177836-01-000
- DETAIL AA
- CROSSOVER COIL-SPEAKER 150140-02-000 CLAMP-CLOSED 10497-02-000 SCREW G67-08-08U CONNECTS TO 2-PIN HOUSING ON WIRE ASM-ROOF
- CROSSOVER NETWORK BX-SPEAKER 150140-01-000 CONNECTS TO (2) 4-PIN HOUSINGS FROM WIRE ASM-ROOF



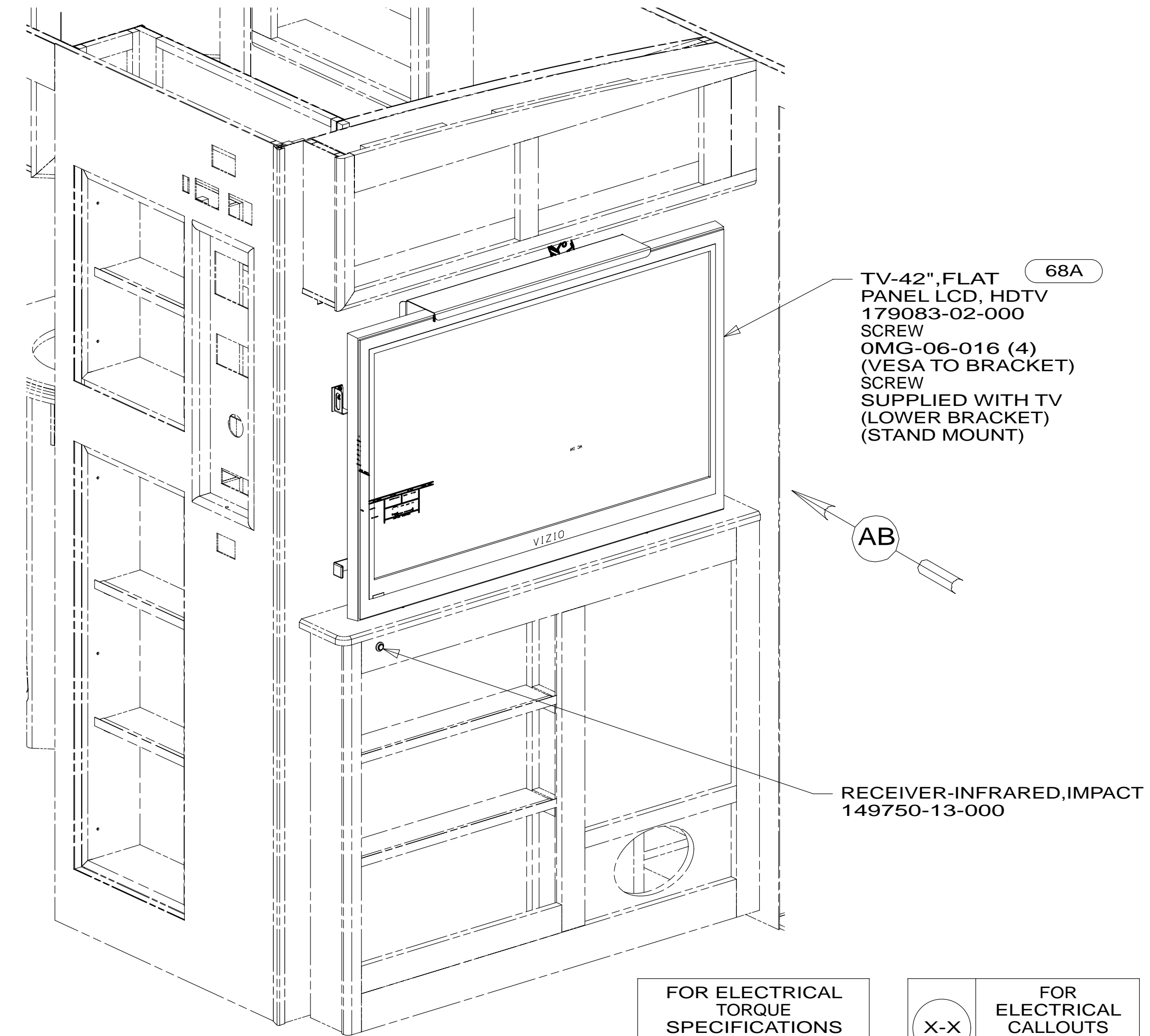
- 5 SHIM NOT ALWAYS REQUIRED, USE AS NECESSARY.
- 4 INSTALL POWER CORD AND ALL MISC A/V CABLES IN CABLE CARRIER BEFORE INSTALLATION.

- WHERE WIRES PASS THROUGH HOLES IN STEEL AND NOT OTHERWISE PROTECTED, USE GROMMET 92908-02-000.
- ALL WIRES TO BE SECURED WITH CLAMP 10495-01-000 OR CLIP 80734-01-000 EVERY 600 MM. USE SCREW G67-10-12B UNLESS OTHERWISE SPECIFIED.
- 110V WIRE TO BE CLAMPED WITH CLAMP 10497-05-000 WITHIN 200 MM OF OUTLET BOXES. USE SCREW G67-10-12B.

NOTES:



VIEW AC



- 68A TV-42" COLOR, EXTENDABLE
- 68L TV-42" COLOR, STEREO W/REMOTE
- 1D3 ENTERTAIN CENTR/EXT TV-DVD
- 193 TV ANTENNA-AMPLIFIED SYSTEM
- 265 CODES/STANDARDS-CSA/CMVSS
- 1B1 CODES/STANDARDS USA

FOR ELECTRICAL TORQUE SPECIFICATIONS SEE DWG NO. 128783-01-000

X-X FOR ELECTRICAL CALLOUTS SEE DWG NO. 121339-01-000

WINNEBAGO COPYRIGHT 2013 WINNEBAGO INDUSTRIES, INC.

UNSPECIFIED TOLERANCES ARE:

WHOLE DIM (X)	: 3
ONE-PLACE (X.X)	: 1.5
TWO-PLACE (X.XX)	: 0.50
ANGLE	: 1'

THIRD ANGLE PROJECTION

DO NOT SCALE DRAWING REFER TO ES0018 FOR FASTENER TIGHTENING GUIDELINES

TITLE: **WIRING INSTL-TV/DVD**

SHEET 1 OF 13 PART NO. **180595** REV

REF: 1 06-May-2013

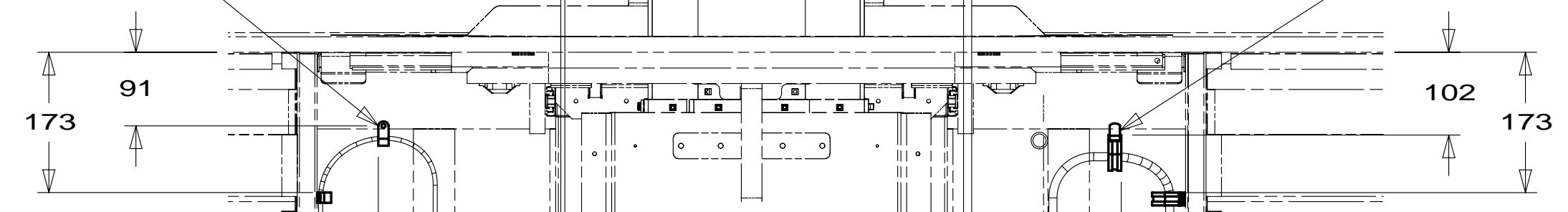
* 180595

WIRE TIE IS TO BE ROUTED THROUGH HOLE IN LOWER BRACKET AS SHOWN TO PROPERLY SUPPORT CABLE ASM (2) PLACES

CLAMP-CABLE
10495-01-000 (2)
SCREW
G11-08-16U (2)

TIE-WIRE
8343-04-000 (2)

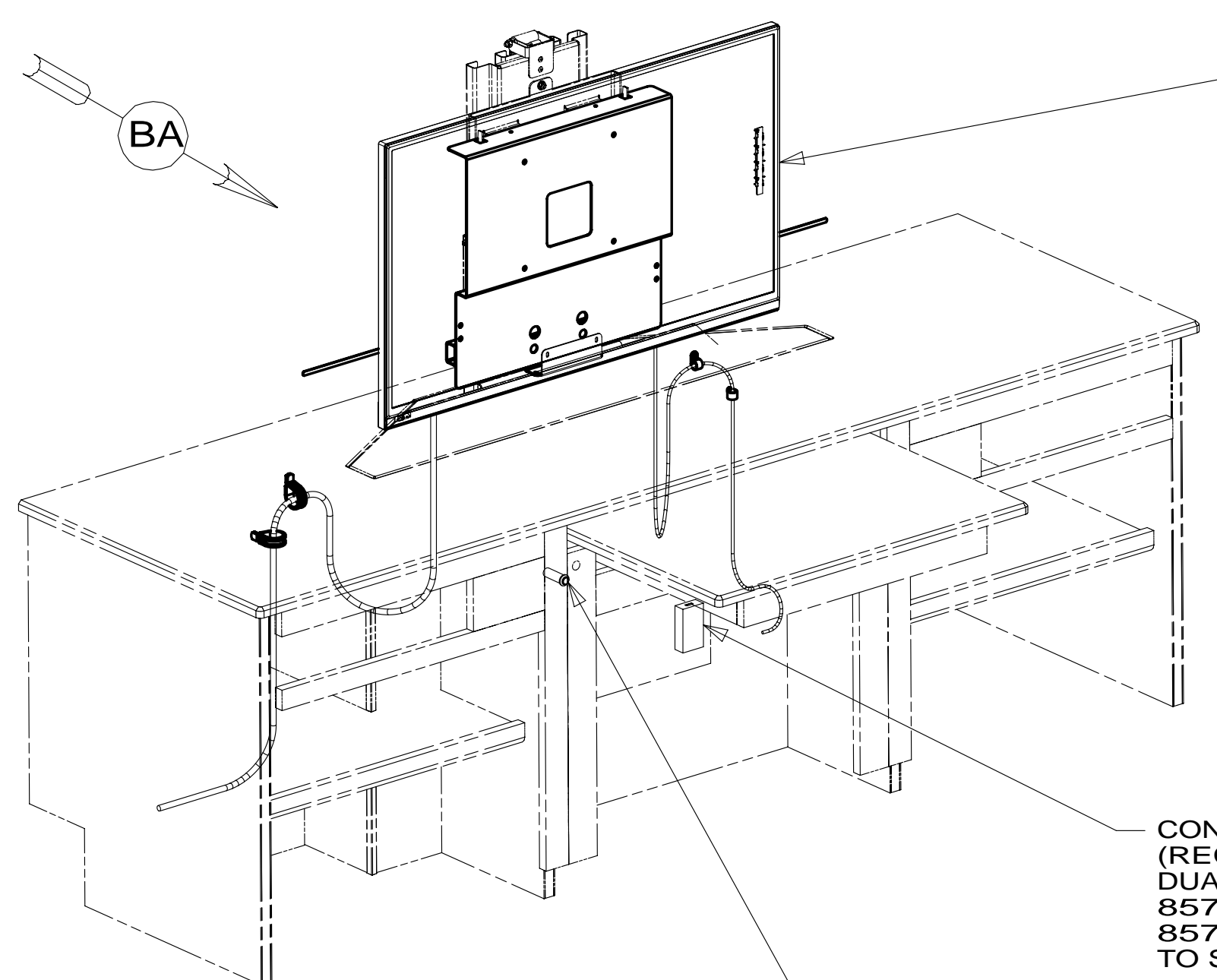
CLAMP-CLOSED
10497-02-000 (2)
SCREW
G11-08-16U (2)



TV POWER CORD

WIRE ASM-COACH
(REF)

VIEW BA

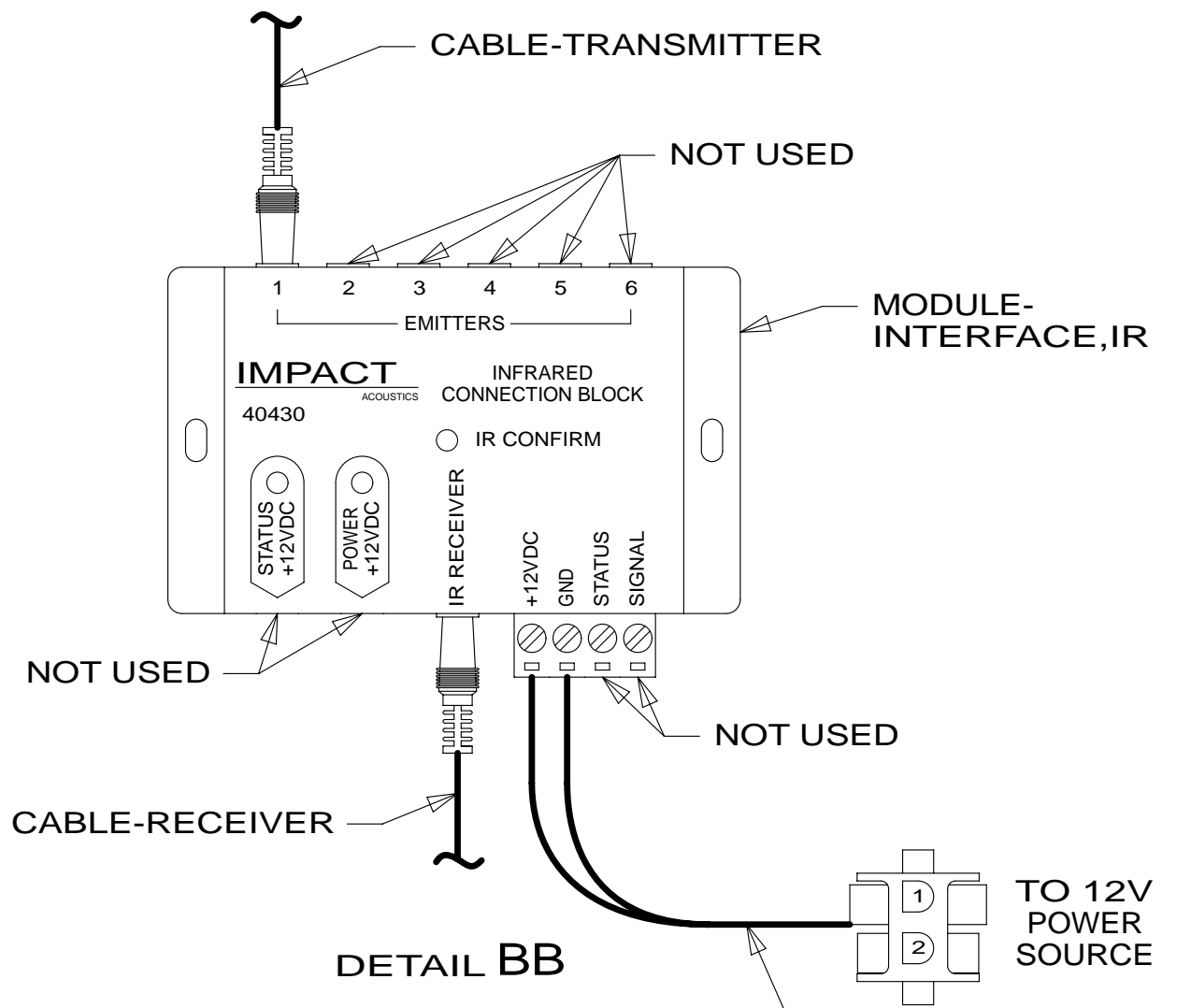
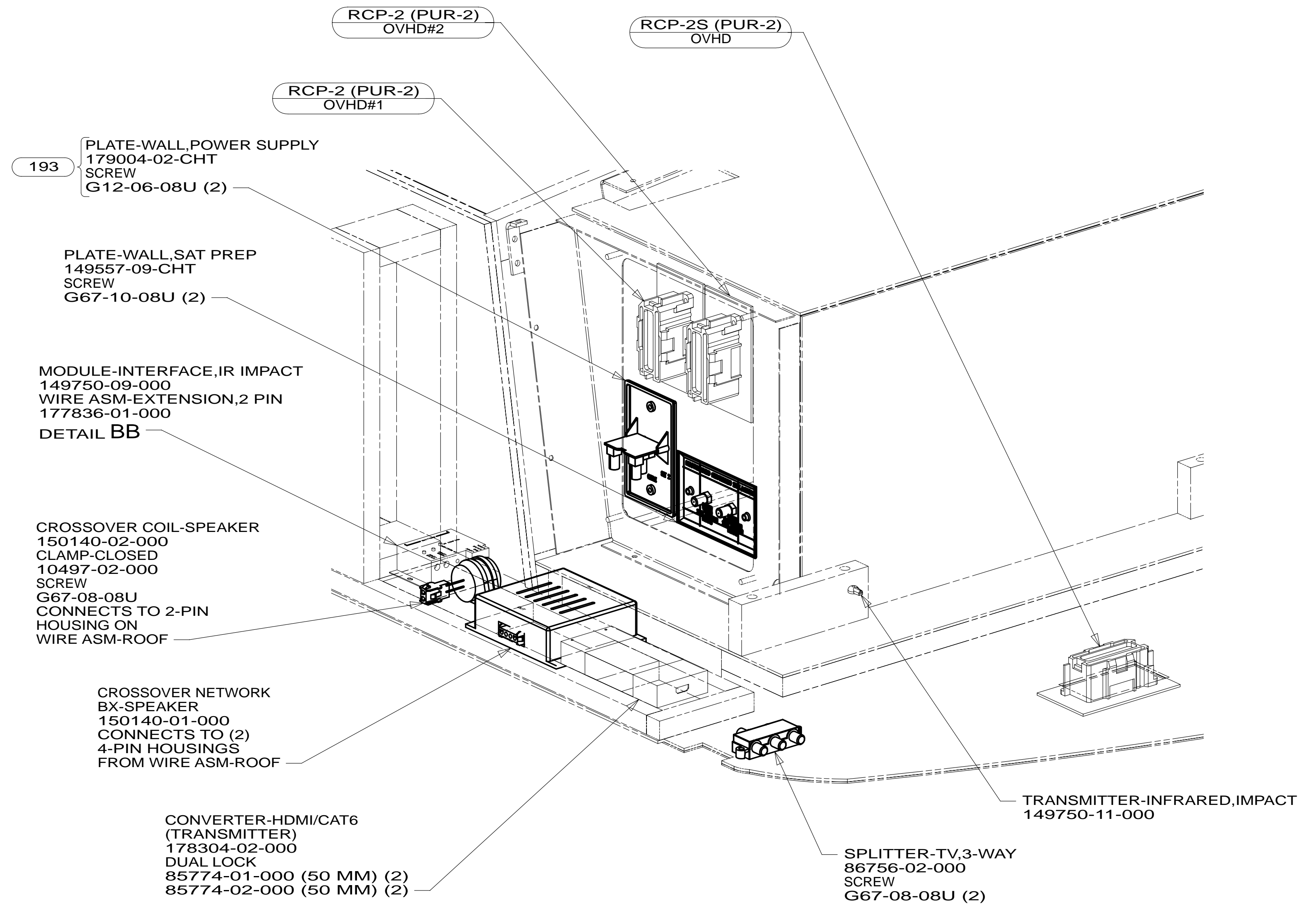


TV-39" FLAT PANEL ELED,HDTV
186601-01-000
SCREW (SUPPLIED W/TV)
(TV TO BRACKET)
BRACKET ASM-MOUNTING,TV
173816-14-CHT
SCREW
G39-10-12U (2)
(TOP TUBE TO TV BRACKET)
SCREW
000G39-08-12U (3)
SUPPORT-MOUNTING,TV
172123-12-CHT
SCREW
OMG02B-04-012 (2)

CONVERTER-HDMI/CAT6
(RECEIVER)
DUAL LOCK
85774-01-000 (50 MM) (2)
85774-02-000 (50 MM) (2)
TO SIDEWALL

RECEIVER-INFRARED,IMPACT
149750-13-000

- NOTES:
- 2 APPLY FOAM TAPE TO TOP OF TV BRACKET WHERE IT CONTACTS TV FACE.
 - 1 COIL FOR FUTURE USE.



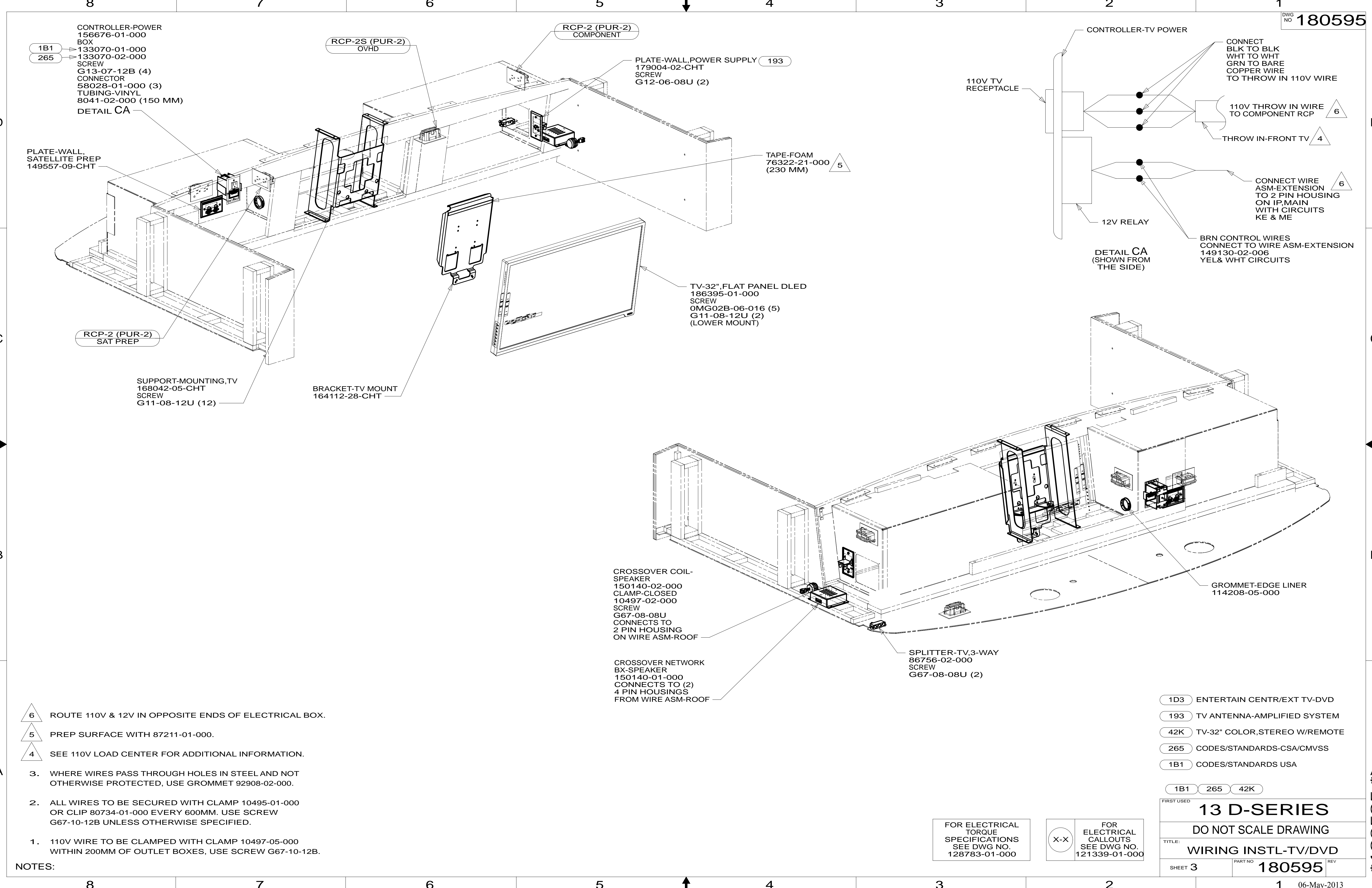
FOR ELECTRICAL TORQUE SPECIFICATIONS SEE DWG NO. 128783-01-000

FOR ELECTRICAL CALLOUTS SEE DWG NO. 121339-01-000

- 193 TV ANTENNA-AMPLIFIED SYSTEM
- 21R DINING/BUFFET/POWERED TV
- 265 CODES/STANDARDS-CSA/CMVSS
- 1B1 CODES/STANDARDS USA

1B1	265	21R
FIRST USED		
13 D-SERIES		
DO NOT SCALE DRAWING		
TITLE: WIRING INSTL-TV/DVD		
SHEET 2	PART NO 180595	REV

* 180595



- CONTROLLER-POWER
156676-01-000
BOX
- 1B1 → 133070-01-000
- 265 → 133070-02-000
- SCREW
G13-07-12B (4)
- CONNECTOR
58028-01-000 (3)
- TUBING-VINYL
8041-02-000 (150 MM)
- DETAIL CA

PLATE-WALL,
SATELLITE PREP
149557-09-CHT

RCP-2 (PUR-2)
SAT PREP

SUPPORT-MOUNTING,TV
168042-05-CHT
SCREW
G11-08-12U (12)

BRACKET-TV MOUNT
164112-28-CHT

RCP-2 (PUR-2)
COMPONENT

PLATE-WALL,POWER SUPPLY 193
SCREW
G12-06-08U (2)

TAPE-FOAM
76322-21-000
(230 MM) 5

TV-32",FLAT PANEL DLED
186395-01-000
SCREW
OMG02B-06-016 (5)
G11-08-12U (2)
(LOWER MOUNT)

CROSSOVER COIL-
SPEAKER
150140-02-000
CLAMP-CLOSED
10497-02-000
SCREW
G67-08-08U
CONNECTS TO
2 PIN HOUSING
ON WIRE ASM-ROOF

CROSSOVER NETWORK
BX-SPEAKER
150140-01-000
CONNECTS TO (2)
4 PIN HOUSINGS
FROM WIRE ASM-ROOF

SPLITTER-TV,3-WAY
86756-02-000
SCREW
G67-08-08U (2)

GROMMET-EDGE LINER
114208-05-000

110V TV
RECEPTACLE

CONTROLLER-TV POWER

CONNECT
BLK TO BLK
WHT TO WHT
GRN TO BARE
COPPER WIRE
TO THROW IN 110V WIRE

110V THROW IN WIRE
TO COMPONENT RCP 6

THROW IN-FRONT TV 4

CONNECT WIRE
ASM-EXTENSION
TO 2 PIN HOUSING
ON IP,MAIN
WITH CIRCUITS
KE & ME 6

12V RELAY

DETAIL CA
(SHOWN FROM
THE SIDE)

BRN CONTROL WIRES
CONNECT TO WIRE ASM-EXTENSION
149130-02-006
YEL & WHT CIRCUITS

- 6 ROUTE 110V & 12V IN OPPOSITE ENDS OF ELECTRICAL BOX.
- 5 PREP SURFACE WITH 87211-01-000.
- 4 SEE 110V LOAD CENTER FOR ADDITIONAL INFORMATION.

- 3. WHERE WIRES PASS THROUGH HOLES IN STEEL AND NOT OTHERWISE PROTECTED, USE GROMMET 92908-02-000.
- 2. ALL WIRES TO BE SECURED WITH CLAMP 10495-01-000 OR CLIP 80734-01-000 EVERY 600MM. USE SCREW G67-10-12B UNLESS OTHERWISE SPECIFIED.
- 1. 110V WIRE TO BE CLAMPED WITH CLAMP 10497-05-000 WITHIN 200MM OF OUTLET BOXES, USE SCREW G67-10-12B.

NOTES:

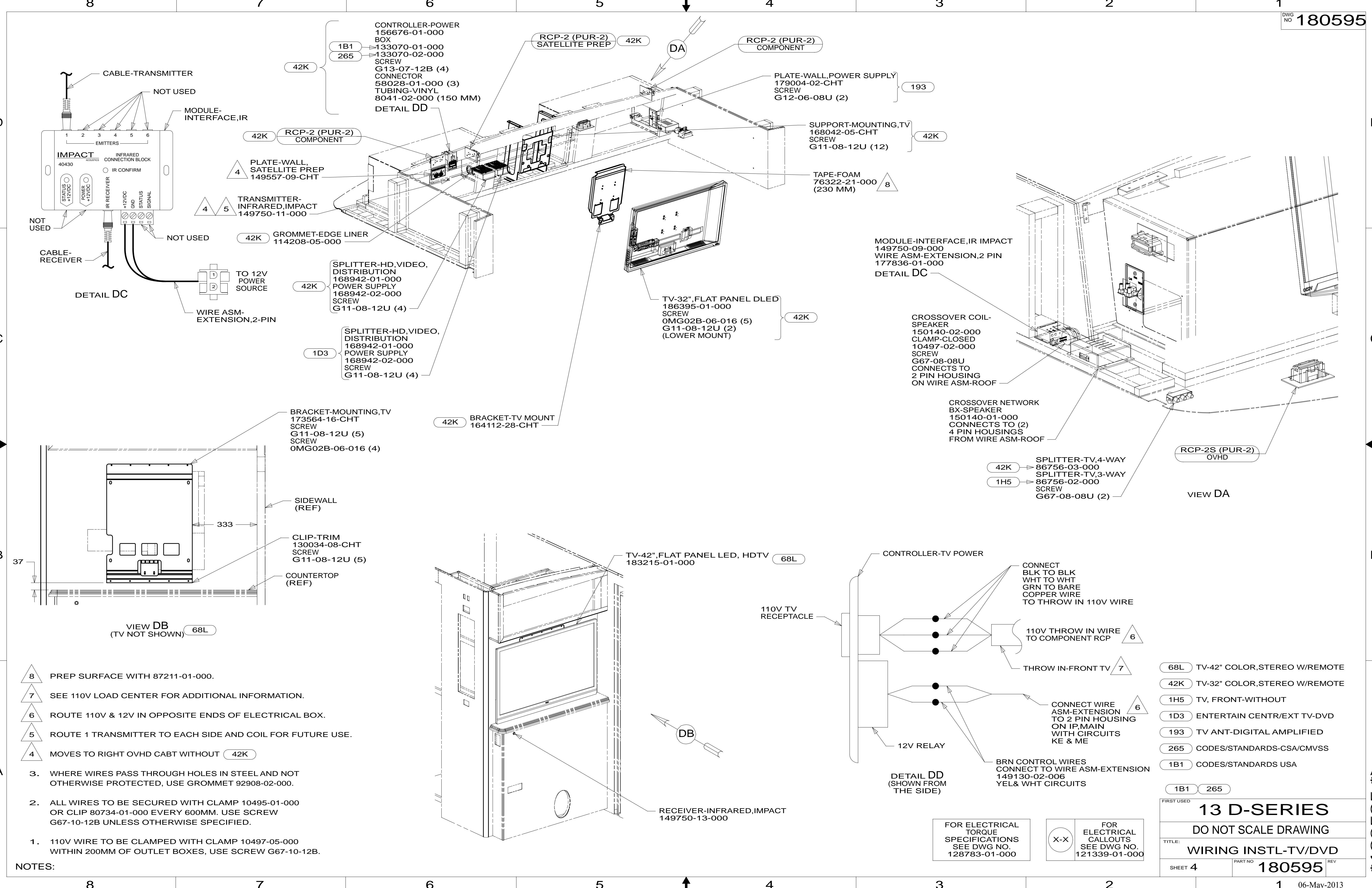
- 1D3 ENTERTAIN CENTR/EXT TV-DVD
- 193 TV ANTENNA-AMPLIFIED SYSTEM
- 42K TV-32" COLOR,STEREO W/REMOTE
- 265 CODES/STANDARDS-CSA/CMVSS
- 1B1 CODES/STANDARDS USA

1B1 265 42K

FOR ELECTRICAL
TORQUE
SPECIFICATIONS
SEE DWG NO.
128783-01-000

FOR
ELECTRICAL
CALLOUTS
SEE DWG NO.
121339-01-000

FIRST USED	
13 D-SERIES	
DO NOT SCALE DRAWING	
TITLE: WIRING INSTL-TV/DVD	
SHEET 3	PART NO 180595 REV



- NOTES:**
- 8 PREP SURFACE WITH 87211-01-000.
 - 7 SEE 110V LOAD CENTER FOR ADDITIONAL INFORMATION.
 - 6 ROUTE 110V & 12V IN OPPOSITE ENDS OF ELECTRICAL BOX.
 - 5 ROUTE 1 TRANSMITTER TO EACH SIDE AND COIL FOR FUTURE USE.
 - 4 MOVES TO RIGHT OVHD CABT WITHOUT 42K
3. WHERE WIRES PASS THROUGH HOLES IN STEEL AND NOT OTHERWISE PROTECTED, USE GROMMET 92908-02-000.
 2. ALL WIRES TO BE SECURED WITH CLAMP 10495-01-000 OR CLIP 80734-01-000 EVERY 600MM. USE SCREW G67-10-12B UNLESS OTHERWISE SPECIFIED.
 1. 110V WIRE TO BE CLAMPED WITH CLAMP 10497-05-000 WITHIN 200MM OF OUTLET BOXES, USE SCREW G67-10-12B.

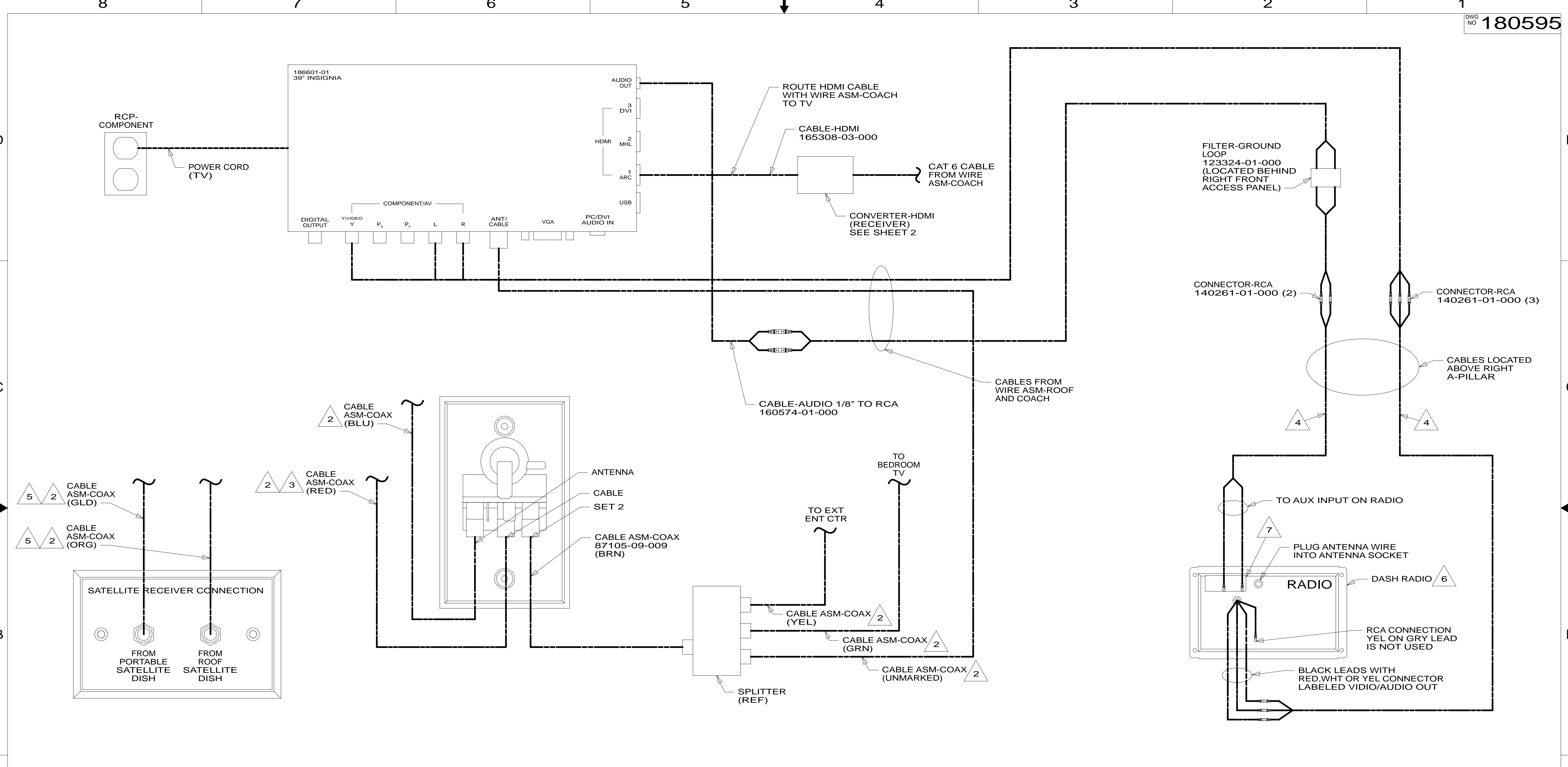
FOR ELECTRICAL TORQUE SPECIFICATIONS SEE DWG NO. 128783-01-000

X-X FOR ELECTRICAL CALLOUTS SEE DWG NO. 121339-01-000

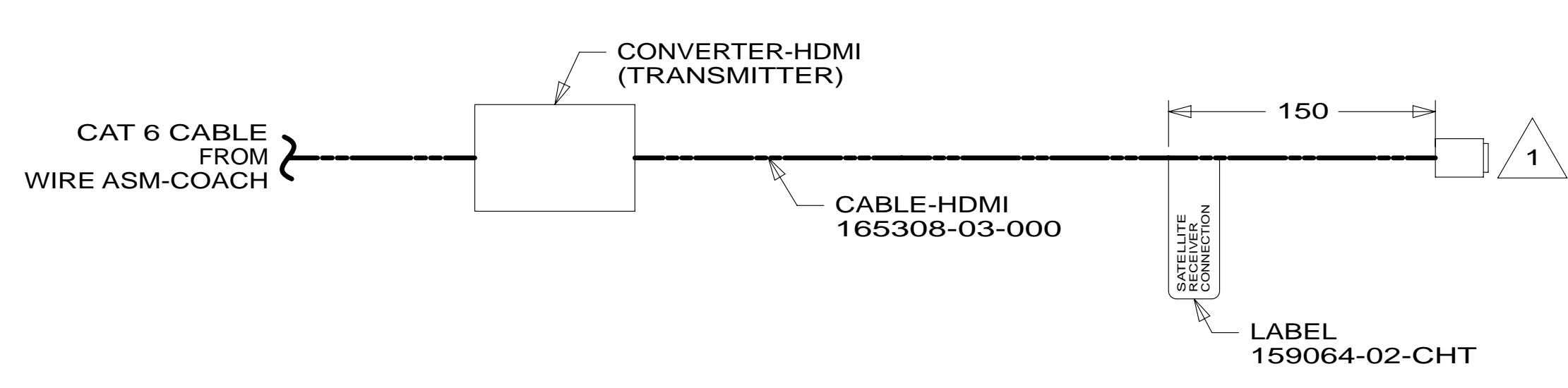
- 68L TV-42" COLOR, STEREO W/REMOTE
- 42K TV-32" COLOR, STEREO W/REMOTE
- 1H5 TV, FRONT-WITHOUT
- 1D3 ENTERTAIN CENTR/EXT TV-DVD
- 193 TV ANT-DIGITAL AMPLIFIED
- 265 CODES/STANDARDS-CSA/CMVSS
- 1B1 CODES/STANDARDS USA

FIRST USED	
13 D-SERIES	
DO NOT SCALE DRAWING	
TITLE: WIRING INSTL-TV/DVD	
SHEET 4	PART NO 180595 REV
06-May-2013	

* 180595



- NOTES:
- 7 CONNECT CABLE-RCA TO RADIO 'AUX INPUT' CONNECTION.
 - 6 SEE RADIO INSTL FOR ADDITIONAL INFORMATION.
 - 5 CONNECTED TO THE REAR SIDE OF SATELLITE PREP PLATE, CONNECTION LABELED "FROM ROOF SATELLITE DISH".
 - 4 CABLE IS PART OF WIRE ASM-IP,MAIN.
 - 3 CONNECTED TO THE FRONT SIDE OF SATELLITE PREP PLATE, CONNECTION LABELED "TO SATELLITE RECEIVER OUTPUT".
 - 2 CABLE ROUTED IN ROOF.
 - 1 COIL CABLE IN SATELLITE RECEIVER PREP AREA.



FOR ELECTRICAL TORQUE SPECIFICATIONS SEE DWG NO. 128783-01-000

FOR ELECTRICAL CALLOUTS SEE DWG NO. 121339-01-000

- 1D3 ENTERTAIN CENTR/EXT TV-DVD
- 21R DINING/BUFFET/POWERED TV
- 265 CODES/STANDARDS-CSA/CMVSS
- 1B1 CODES/STANDARDS USA

1B1 265 21R

FIRST USED

13 D-SERIES

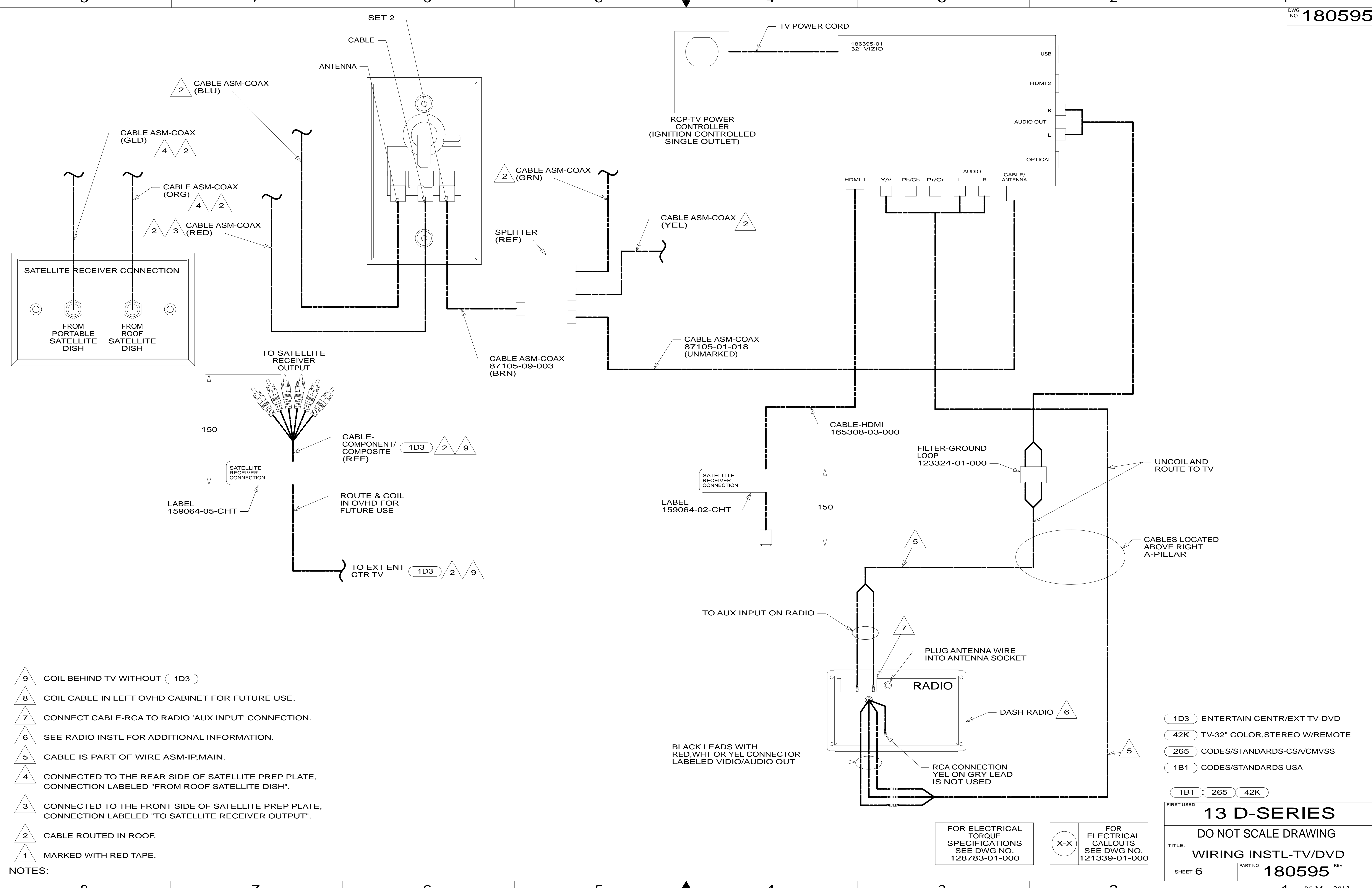
DO NOT SCALE DRAWING

TITLE: **WIRING INSTL-TV/DVD**

SHEET 5 PART NO **180595** REV

06-May-2013

* 180595 * A



- NOTES:
- 9 COIL BEHIND TV WITHOUT 1D3
 - 8 COIL CABLE IN LEFT OVHD CABINET FOR FUTURE USE.
 - 7 CONNECT CABLE-RCA TO RADIO 'AUX INPUT' CONNECTION.
 - 6 SEE RADIO INSTL FOR ADDITIONAL INFORMATION.
 - 5 CABLE IS PART OF WIRE ASM-IP,MAIN.
 - 4 CONNECTED TO THE REAR SIDE OF SATELLITE PREP PLATE, CONNECTION LABELED "FROM ROOF SATELLITE DISH".
 - 3 CONNECTED TO THE FRONT SIDE OF SATELLITE PREP PLATE, CONNECTION LABELED "TO SATELLITE RECEIVER OUTPUT".
 - 2 CABLE ROUTED IN ROOF.
 - 1 MARKED WITH RED TAPE.

- 1D3 ENTERTAIN CENTR/EXT TV-DVD
- 42K TV-32" COLOR,STEREO W/REMOTE
- 265 CODES/STANDARDS-CSA/CMVSS
- 1B1 CODES/STANDARDS USA

FOR ELECTRICAL TORQUE SPECIFICATIONS SEE DWG NO. 128783-01-000

FOR ELECTRICAL CALLOUTS SEE DWG NO. 121339-01-000

FIRST USED

13 D-SERIES

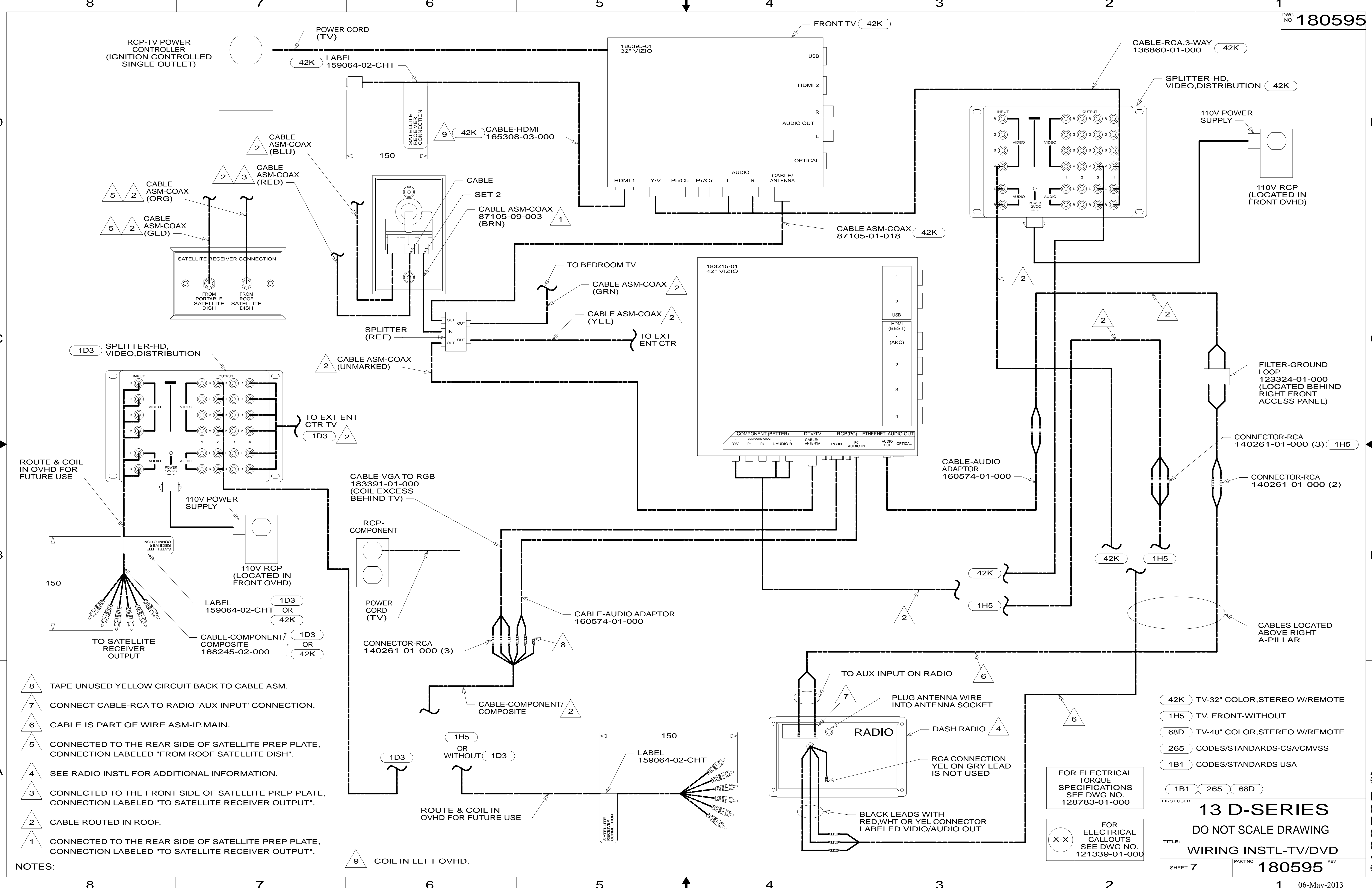
DO NOT SCALE DRAWING

TITLE: WIRING INSTL-TV/DVD

SHEET 6 PART NO 180595 REV

06-May-2013

* 180595 A *



- NOTES:
- 8 TAPE UNUSED YELLOW CIRCUIT BACK TO CABLE ASM.
 - 7 CONNECT CABLE-RCA TO RADIO 'AUX INPUT' CONNECTION.
 - 6 CABLE IS PART OF WIRE ASM-IP,MAIN.
 - 5 CONNECTED TO THE REAR SIDE OF SATELLITE PREP PLATE, CONNECTION LABELED "FROM ROOF SATELLITE DISH".
 - 4 SEE RADIO INSTL FOR ADDITIONAL INFORMATION.
 - 3 CONNECTED TO THE FRONT SIDE OF SATELLITE PREP PLATE, CONNECTION LABELED "TO SATELLITE RECEIVER OUTPUT".
 - 2 CABLE ROUTED IN ROOF.
 - 1 CONNECTED TO THE REAR SIDE OF SATELLITE PREP PLATE, CONNECTION LABELED "TO SATELLITE RECEIVER OUTPUT".

- 42K TV-32" COLOR,STEREO W/REMOTE
- 1H5 TV, FRONT-WITHOUT
- 68D TV-40" COLOR,STEREO W/REMOTE
- 265 CODES/STANDARDS-CSA/CMVSS
- 1B1 CODES/STANDARDS USA

FOR ELECTRICAL TORQUE SPECIFICATIONS SEE DWG NO. 128783-01-000

FOR ELECTRICAL CALLOUTS SEE DWG NO. 121339-01-000

13 D-SERIES

DO NOT SCALE DRAWING

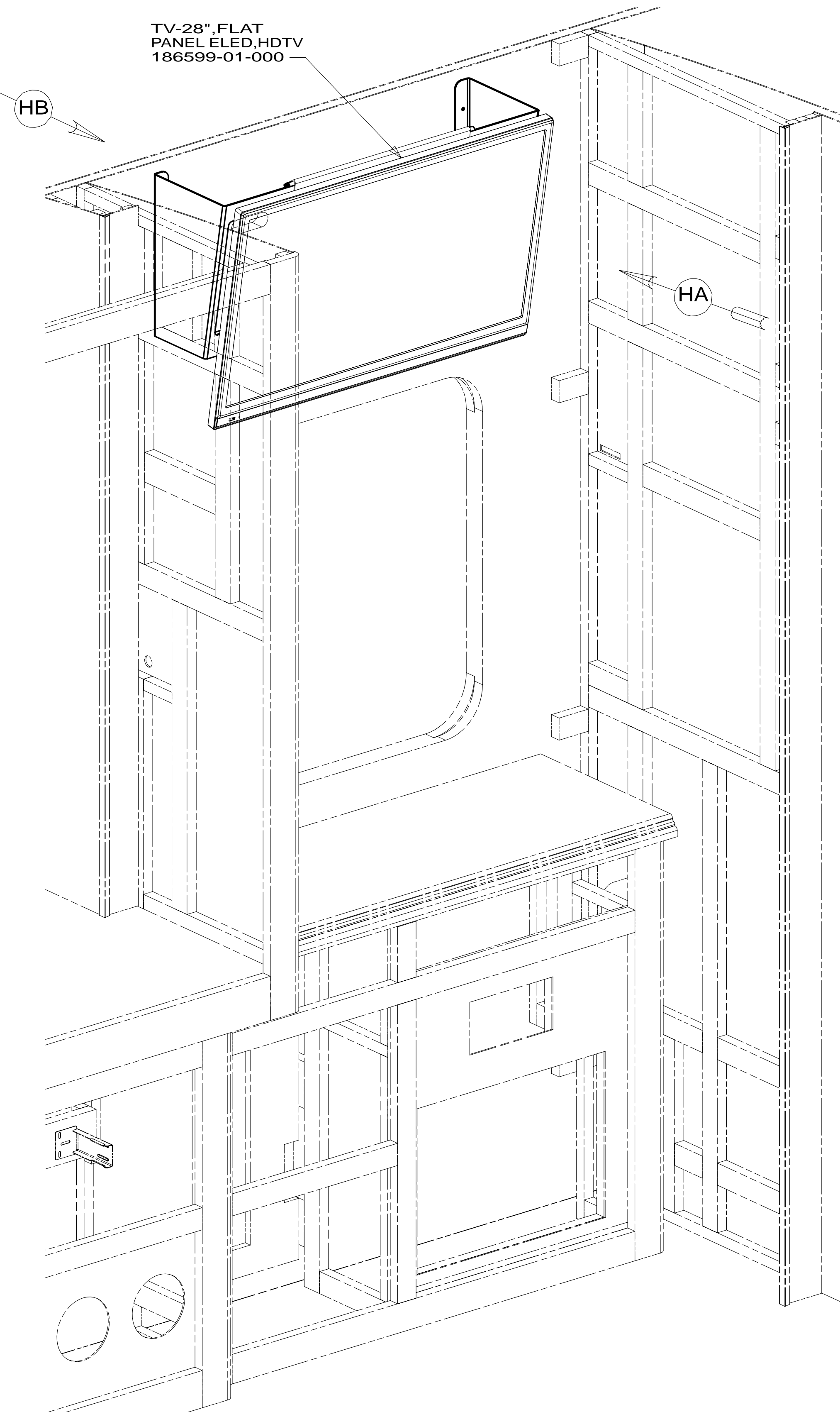
TITLE: **WIRING INSTL-TV/DVD**

SHEET 7 PART NO **180595** REV

06-May-2013

* 180595

TV-28" FLAT
PANEL ELED HDTV
186599-01-000

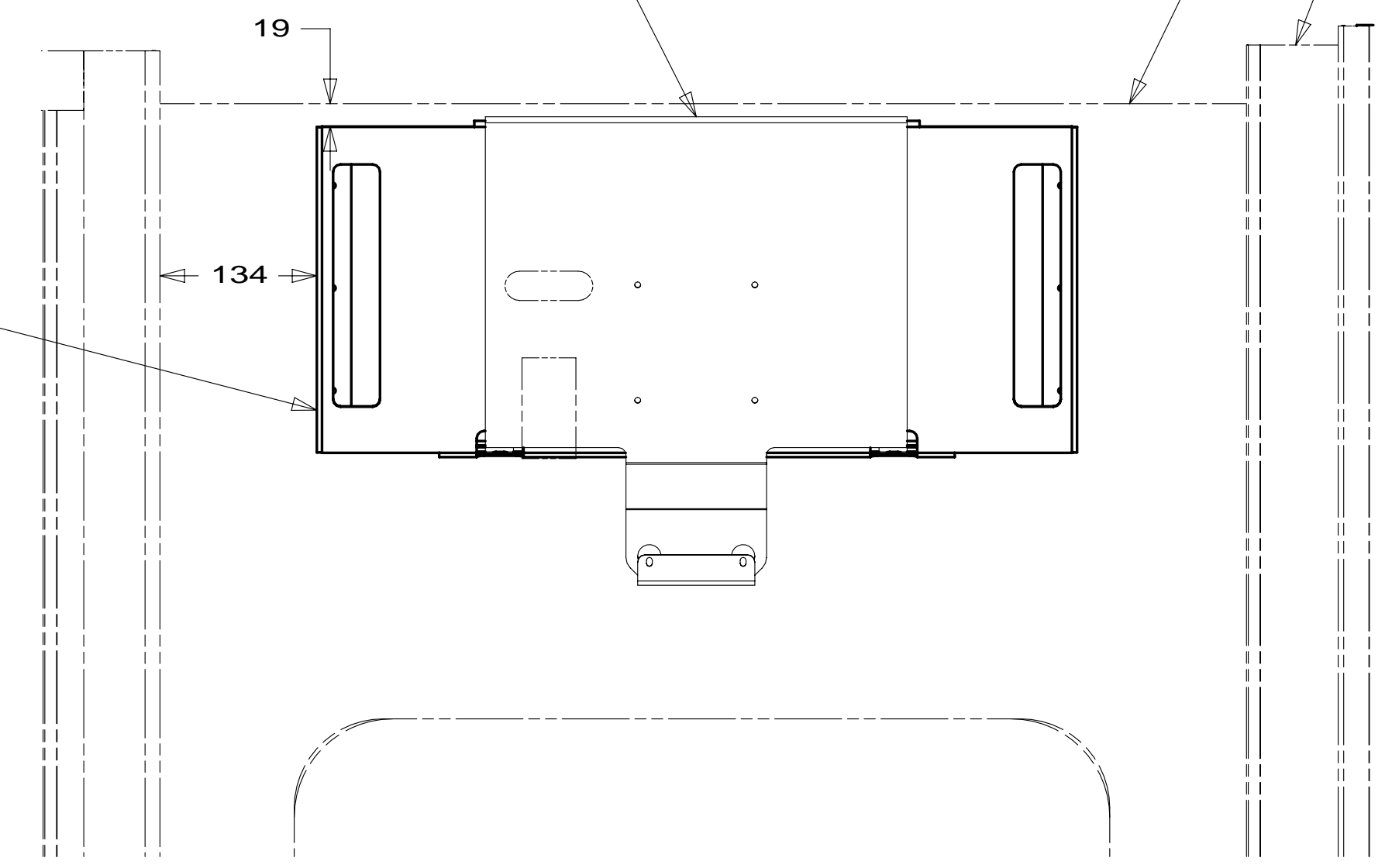


BRACKET-MOUNT,
TV,28"INSIGNIA
169612-37-CHT
SCREW (VESA MOUNT)
(SUPPLIED W/TV)
SCREW (LOWER SUPPORT)
(SUPPLIED W/TV)
SCREW (BOTTOM FLANGE)
G39-08-12U (2)

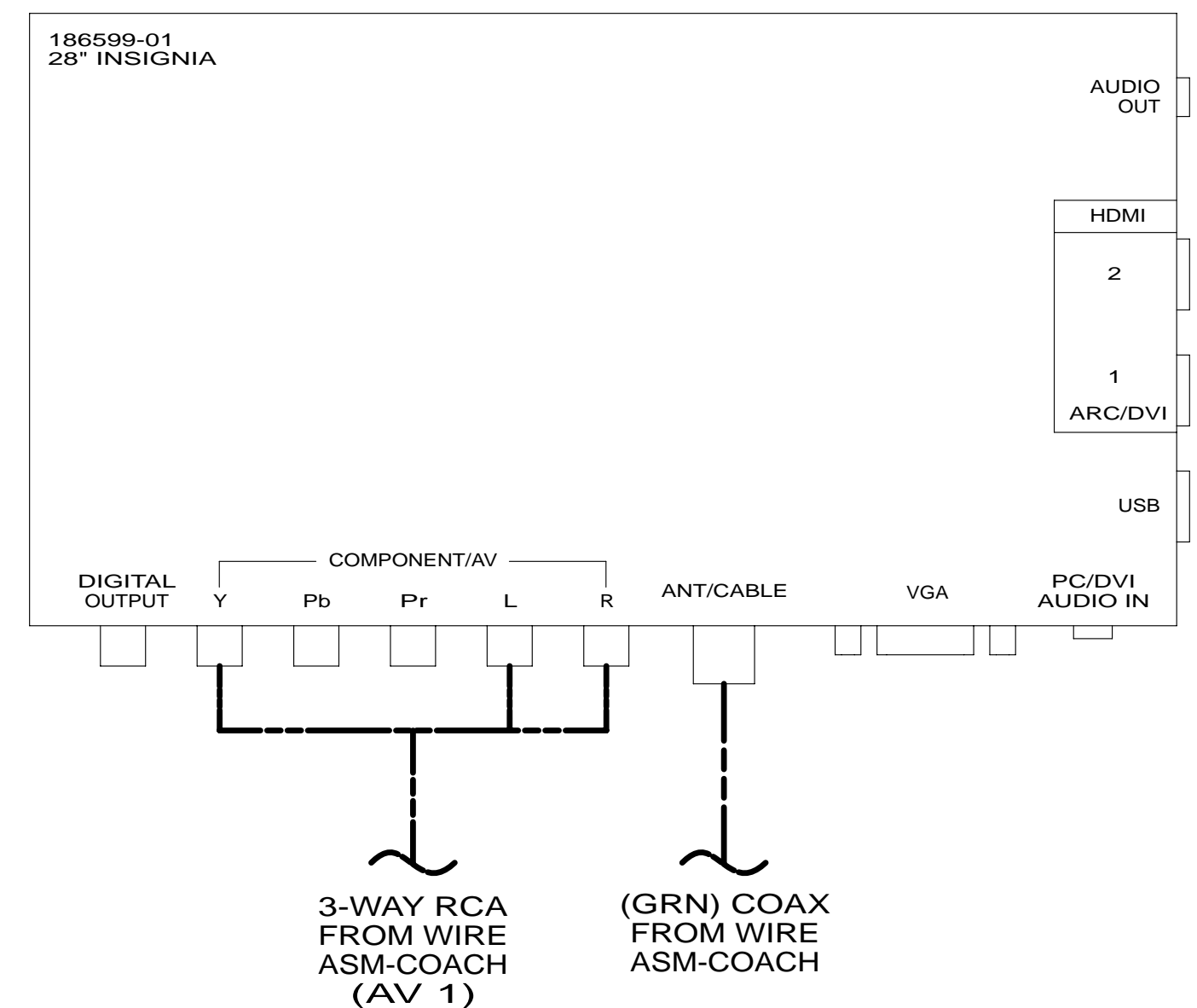
SIDEWALL ASM-LEFT
(REF)

CABINET ASM-WARDROBE
(REF)

SUPPORT ASM-MOUNTING,TV
166615-04-CHT
SCREW
G39-08-12U (6)
GROMMET
114208-05-000



VIEW HA
(TV NOT SHOWN)



3-WAY RCA
FROM WIRE
ASM-COACH
(AV 1)

(GRN) COAX
FROM WIRE
ASM-COACH

VIEW HB

- 61M TV(REAR)-28" COLOR STEREO
- 265 CODES/STANDARDS-CSA/CMVSS
- 1B1 CODES/STANDARDS USA

1B1 265 61M

13 D-SERIES

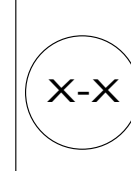
DO NOT SCALE DRAWING

TITLE: **WIRING INSTL-TV/DVD**

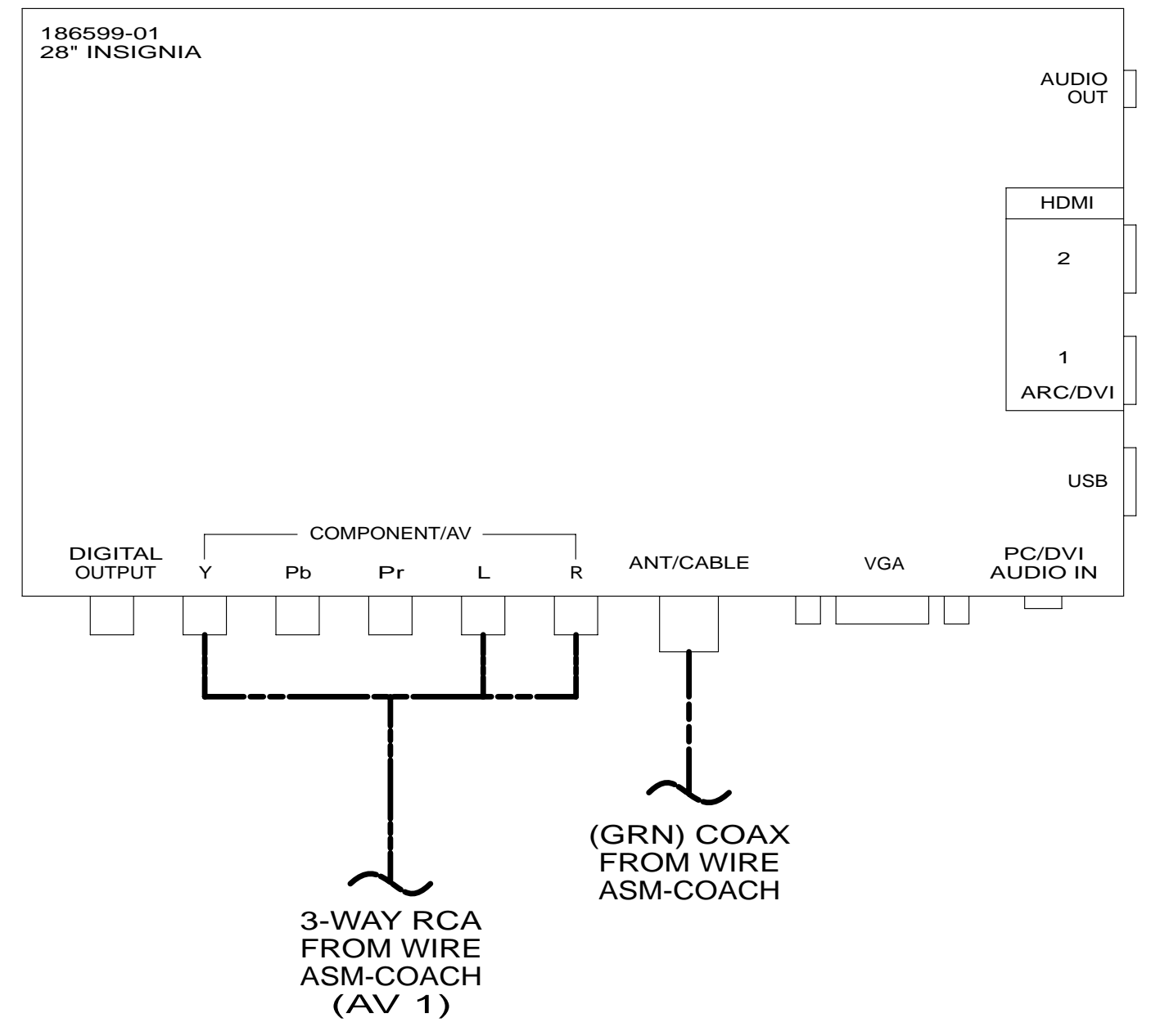
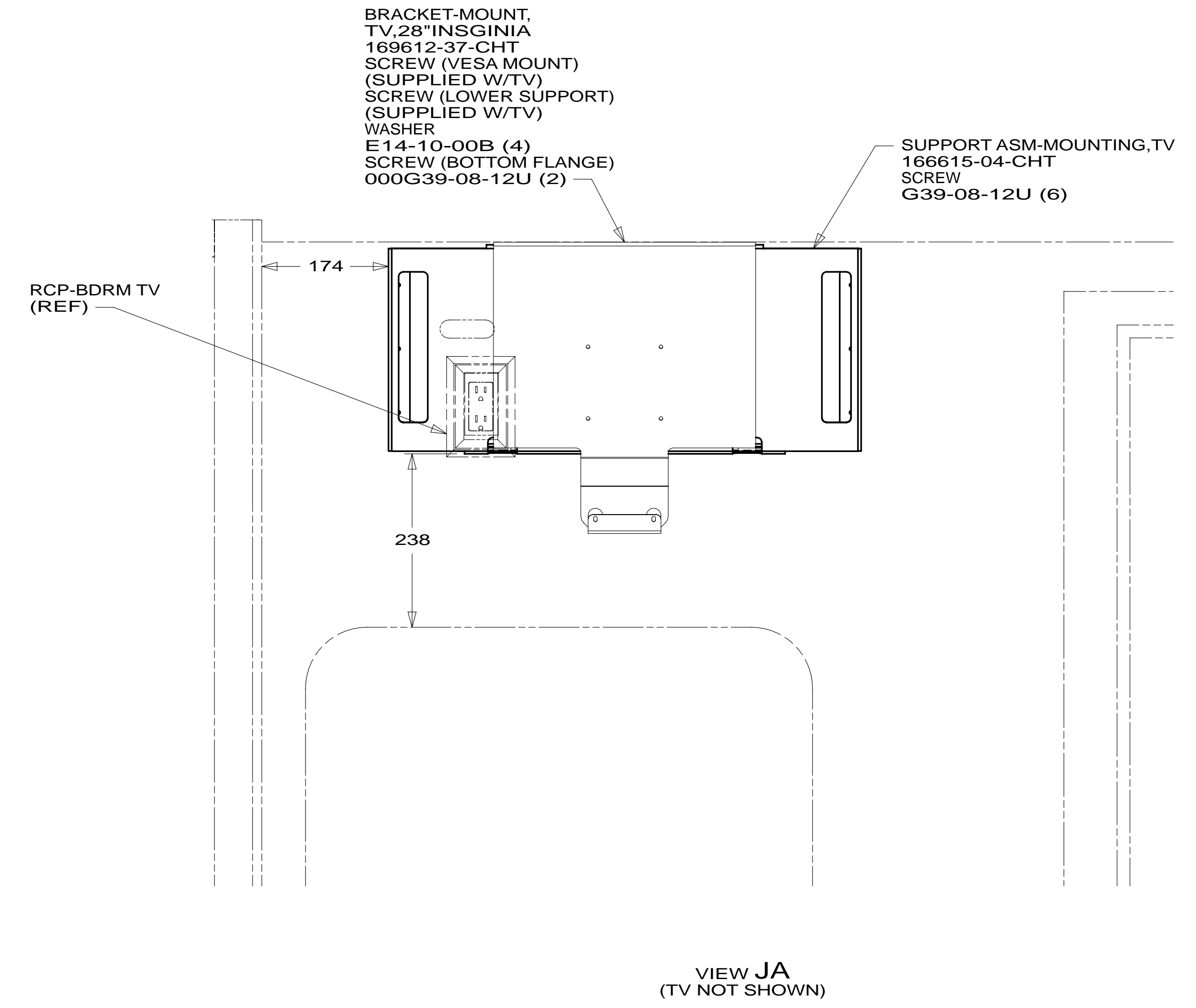
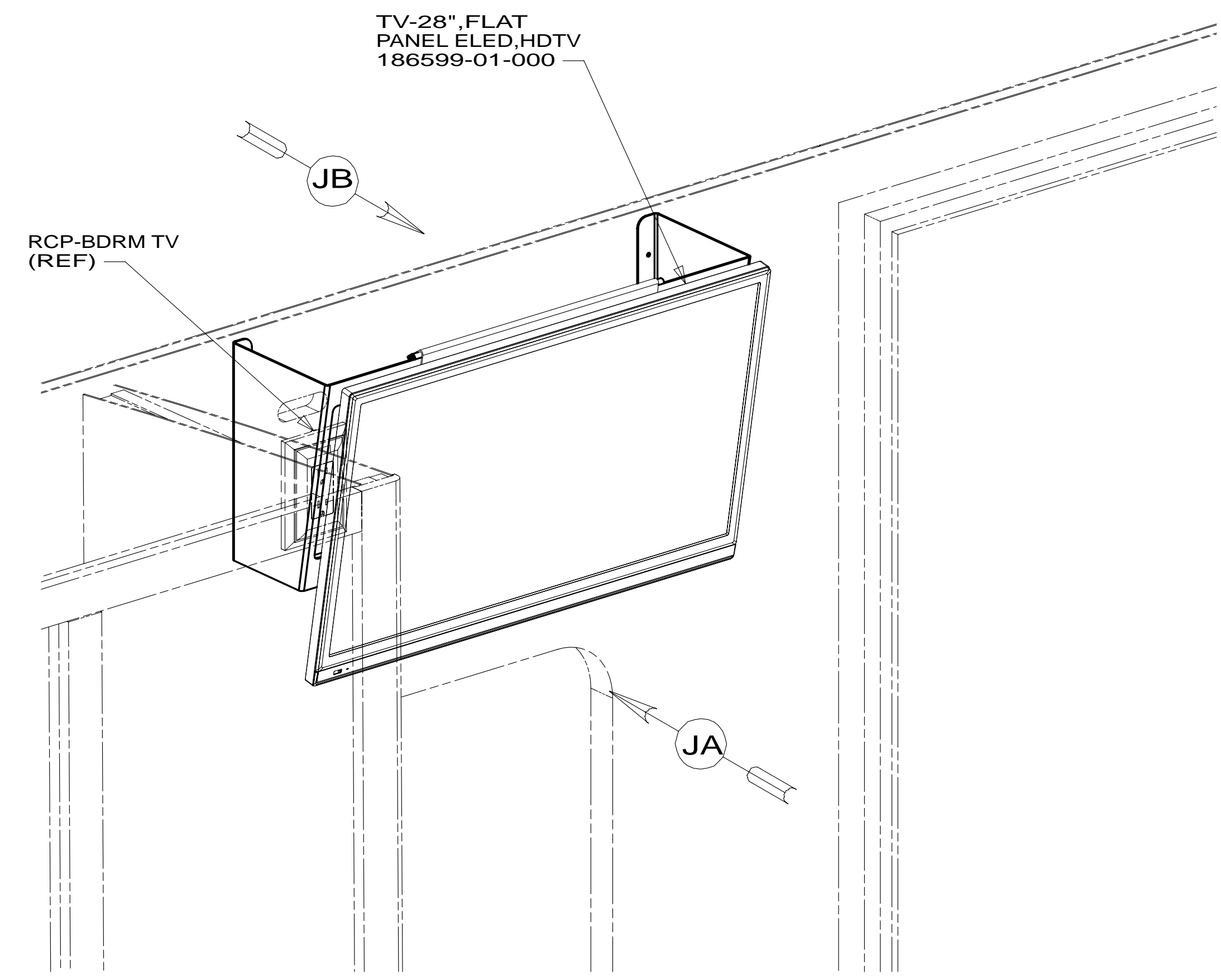
SHEET 8 PART NO **180595** REV

FOR ELECTRICAL
TORQUE
SPECIFICATIONS
SEE DWG NO.
128783-01-000

FOR
ELECTRICAL
CALLOUTS
SEE DWG NO.
121339-01-000



* 180595 * A



VIEW JB

- 61M TV(REAR)-28" COLOR STEREO
- 265 CODES/STANDARDS-CSA/CMVSS
- 1B1 CODES/STANDARDS USA

1B1 265 61M

FIRST USED **13 D-SERIES**

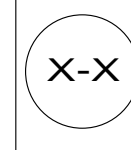
DO NOT SCALE DRAWING

TITLE: **WIRING INSTL-TV/DVD**

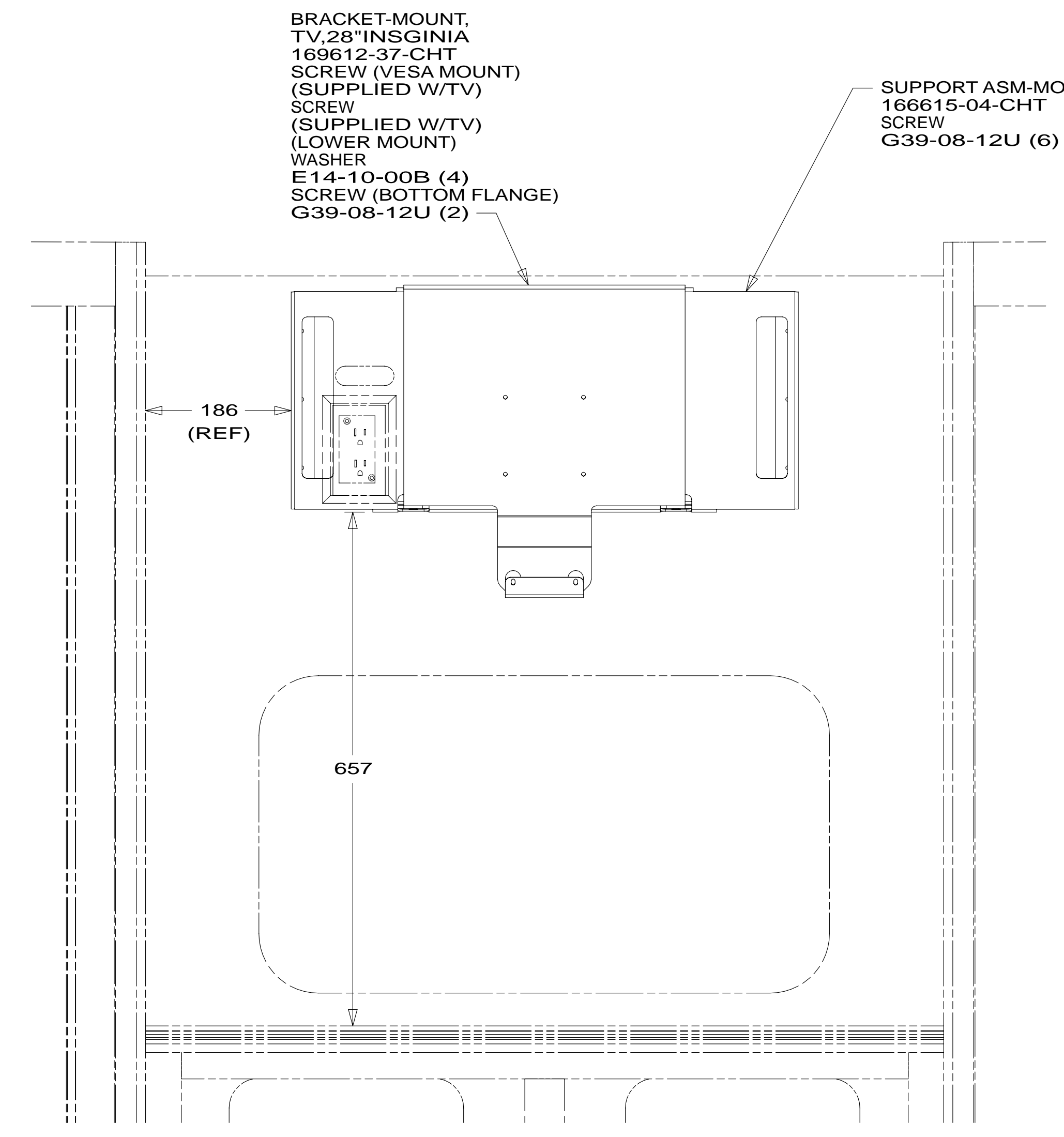
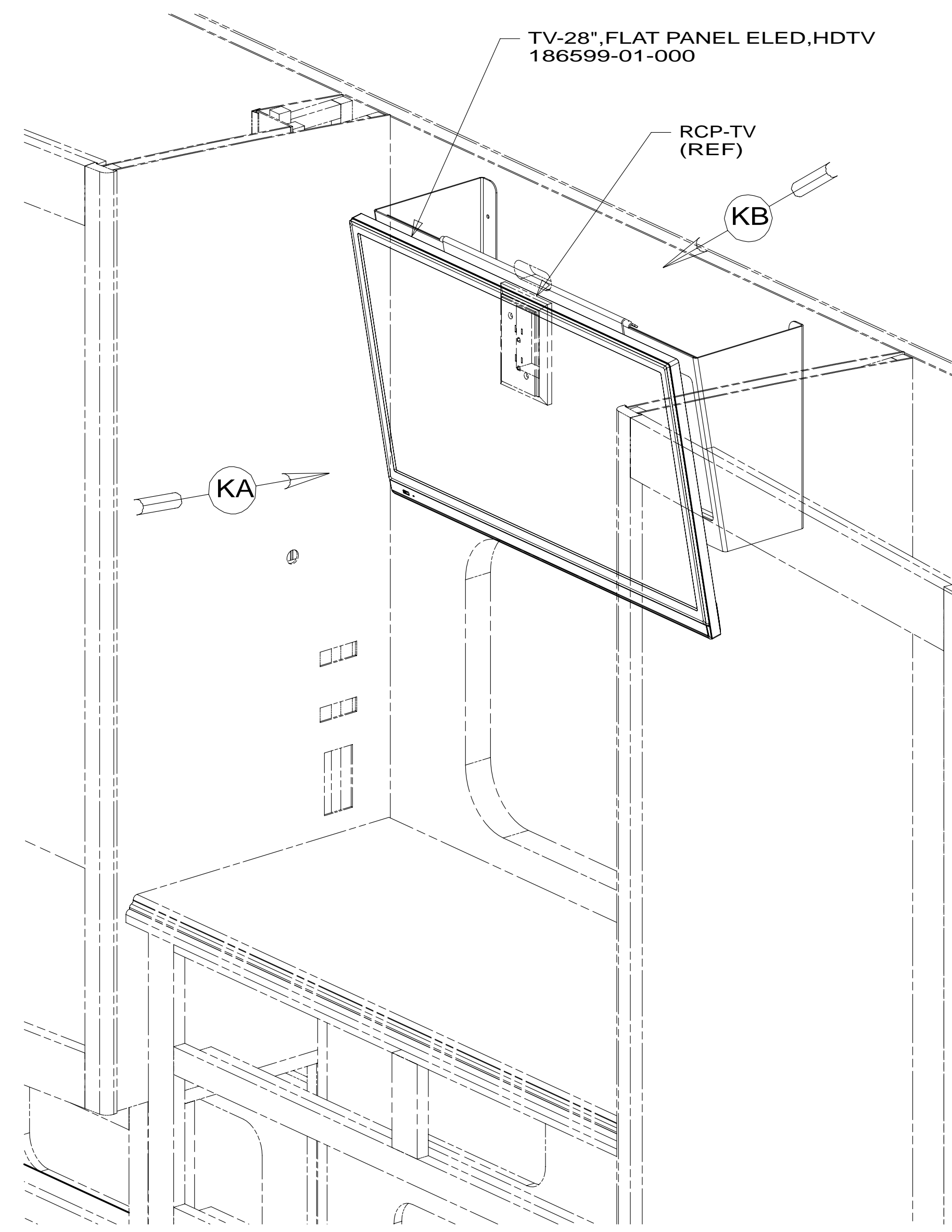
SHEET 9 PART NO **180595** REV

FOR ELECTRICAL TORQUE SPECIFICATIONS SEE DWG NO. 128783-01-000

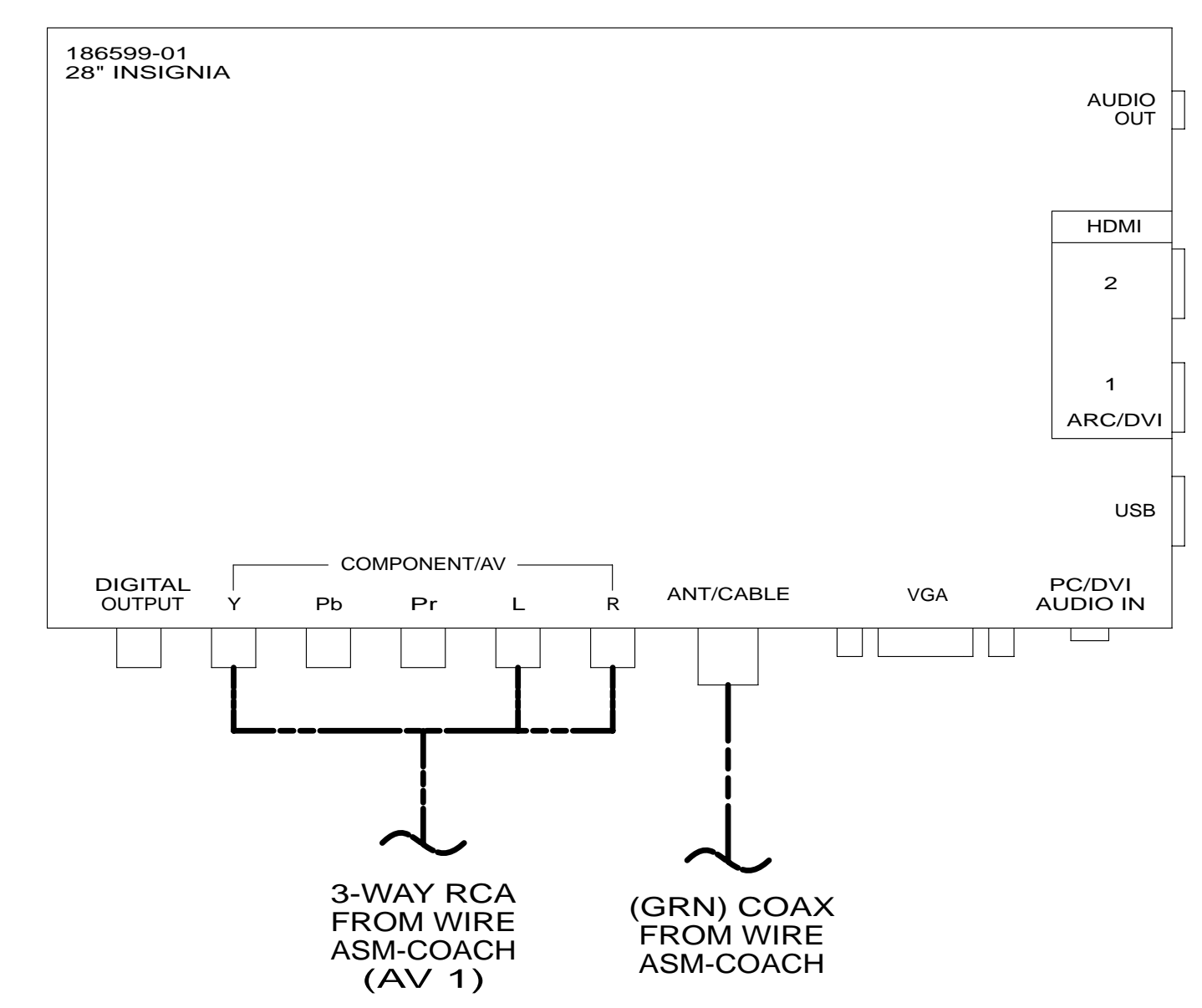
FOR ELECTRICAL CALLOUTS SEE DWG NO. 121339-01-000



* 180595 * A



VIEW KA



VIEW KB

1 CENTER OVER WINDOW CUTOUT.
NOTES:

FOR ELECTRICAL TORQUE SPECIFICATIONS SEE DWG NO. 128783-01-000

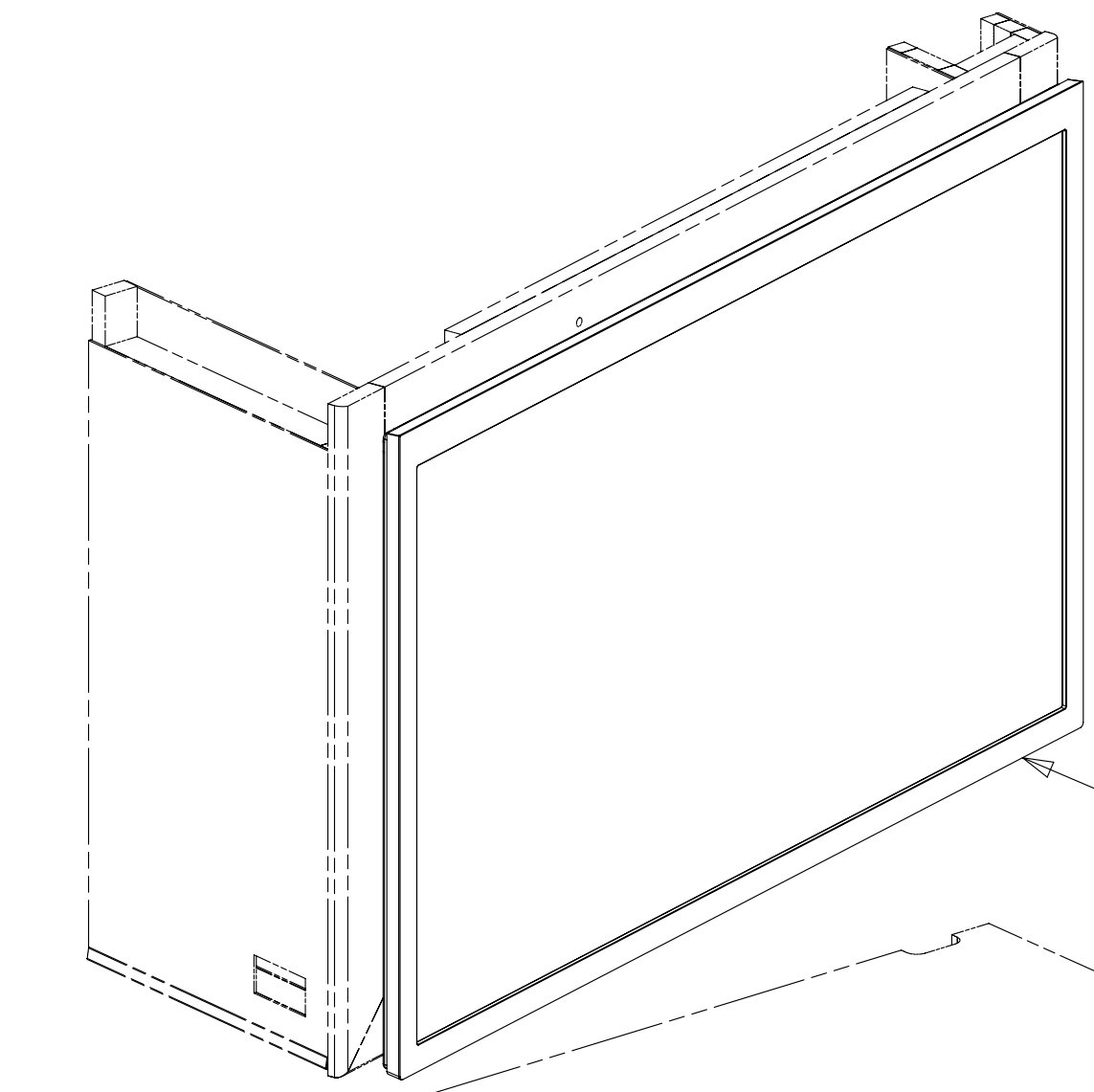
X-X FOR ELECTRICAL CALLOUTS SEE DWG NO. 121339-01-000

- 61M TV(REAR)-28" COLOR STEREO
- 265 CODES/STANDARDS-CSA/CMVSS
- 1B1 CODES/STANDARDS USA

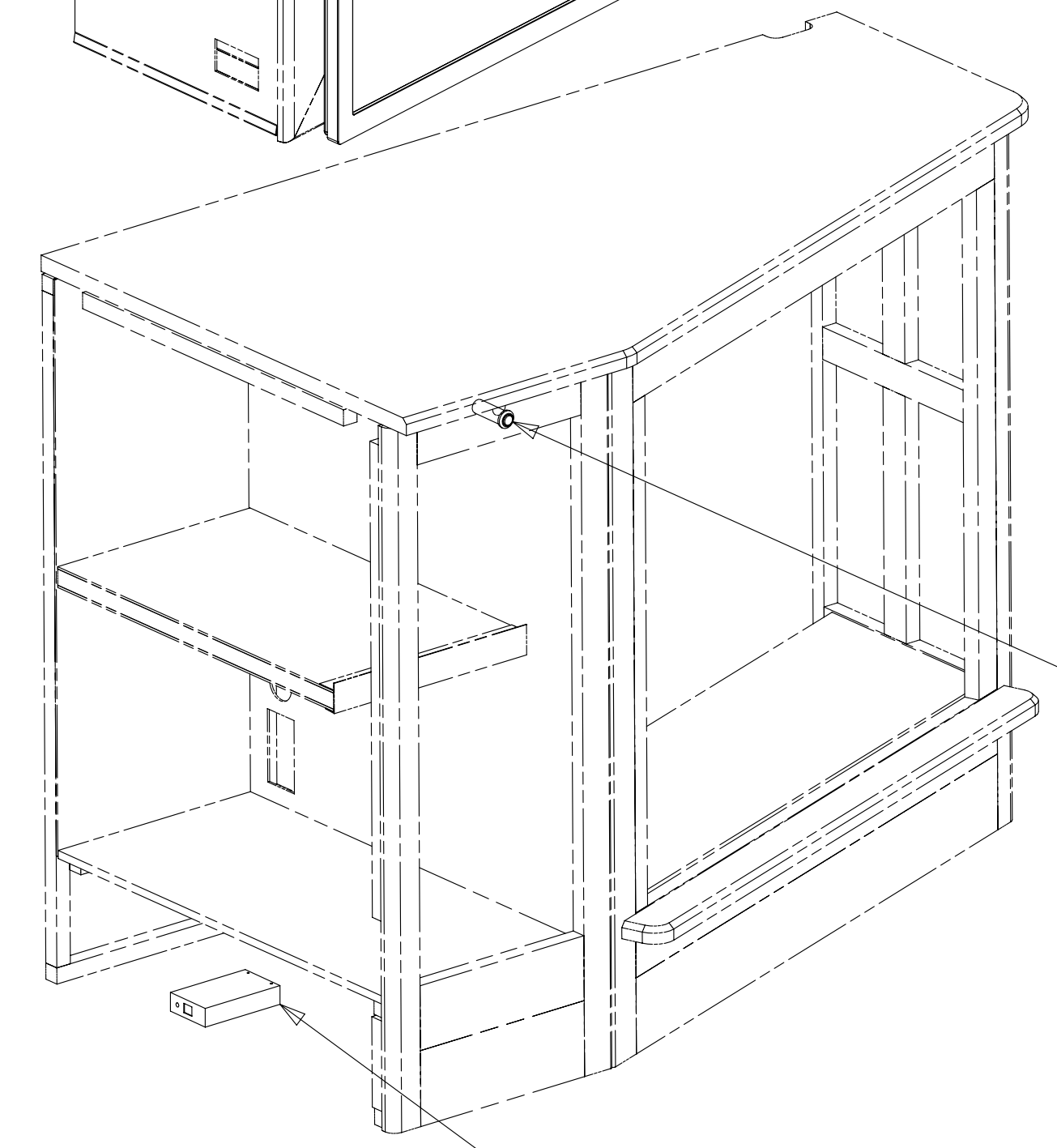
1B1 265 61M

FIRST USED	13 D-SERIES	
	DO NOT SCALE DRAWING	
TITLE:	WIRING INSTL-TV/DVD	
SHEET 10	PART NO 180595	REV

* 180595 * A

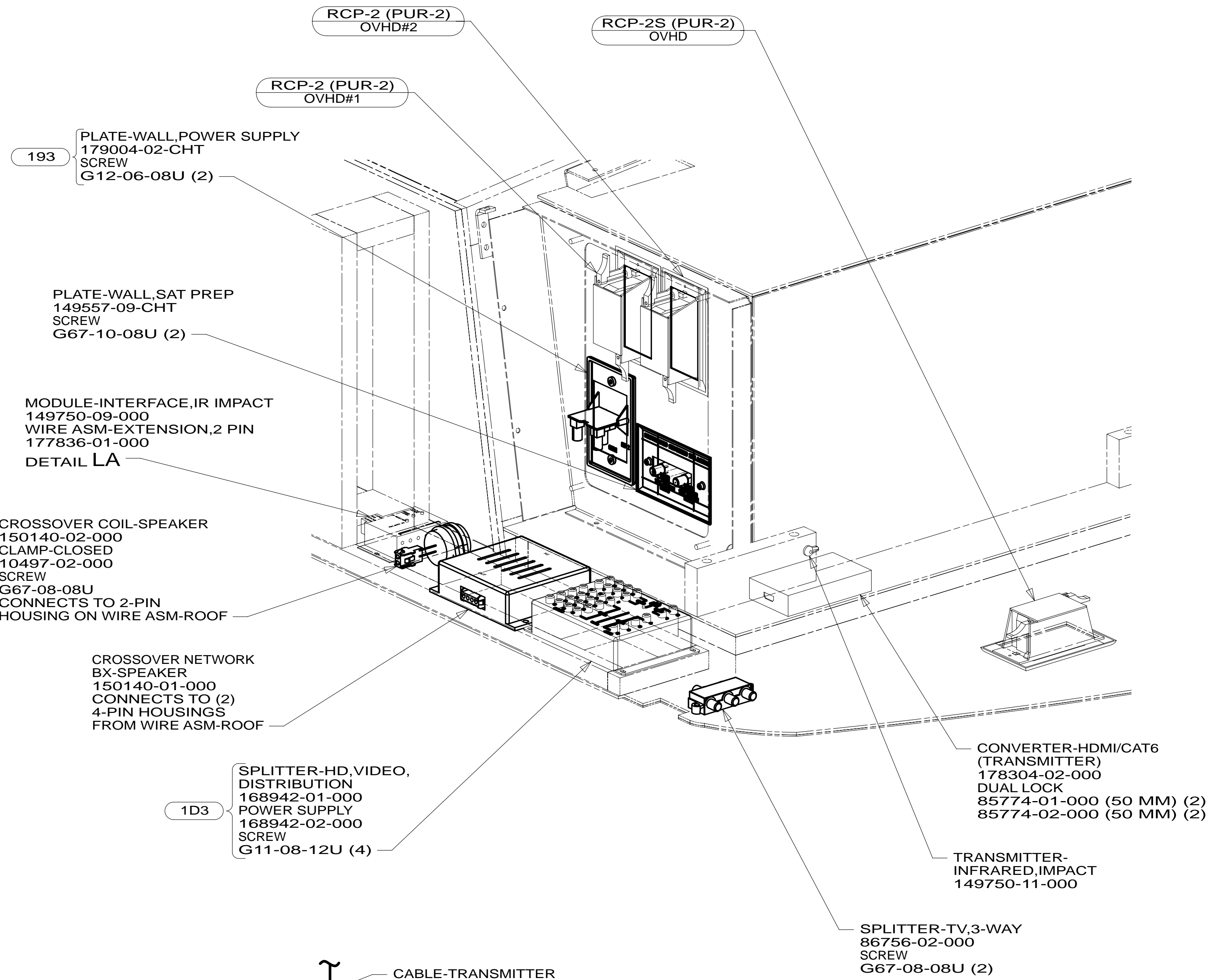


TV-46", FLAT PANEL ELED, HDTV
186600-02-000
BOLT
(SUPPLIED W/TV)
CONDUIT-CONVOLUTE
41953-03-000 (500)
TIE-WIRE
8343-04-000 (4)



RECEIVER-INFRARED, IMPACT
149750-13-000

CONVERTER-HDMI/CAT6
(RECEIVER)
DUAL LOCK
85774-01-000 (50 MM) (2)
85774-02-000 (50 MM) (2)
TO SIDEWALL
POWER SUPPLY-110V/5VOC
181465-01-000



193 PLATE-WALL, POWER SUPPLY
179004-02-CHT
SCREW
G12-06-08U (2)

PLATE-WALL, SAT PREP
149557-09-CHT
SCREW
G67-10-08U (2)

MODULE-INTERFACE, IR IMPACT
149750-09-000
WIRE ASM-EXTENSION, 2 PIN
177836-01-000
DETAIL LA

CROSSOVER COIL-SPEAKER
150140-02-000
CLAMP-CLOSED
10497-02-000
SCREW
G67-08-08U
CONNECTS TO 2-PIN
HOUSING ON WIRE ASM-ROOF

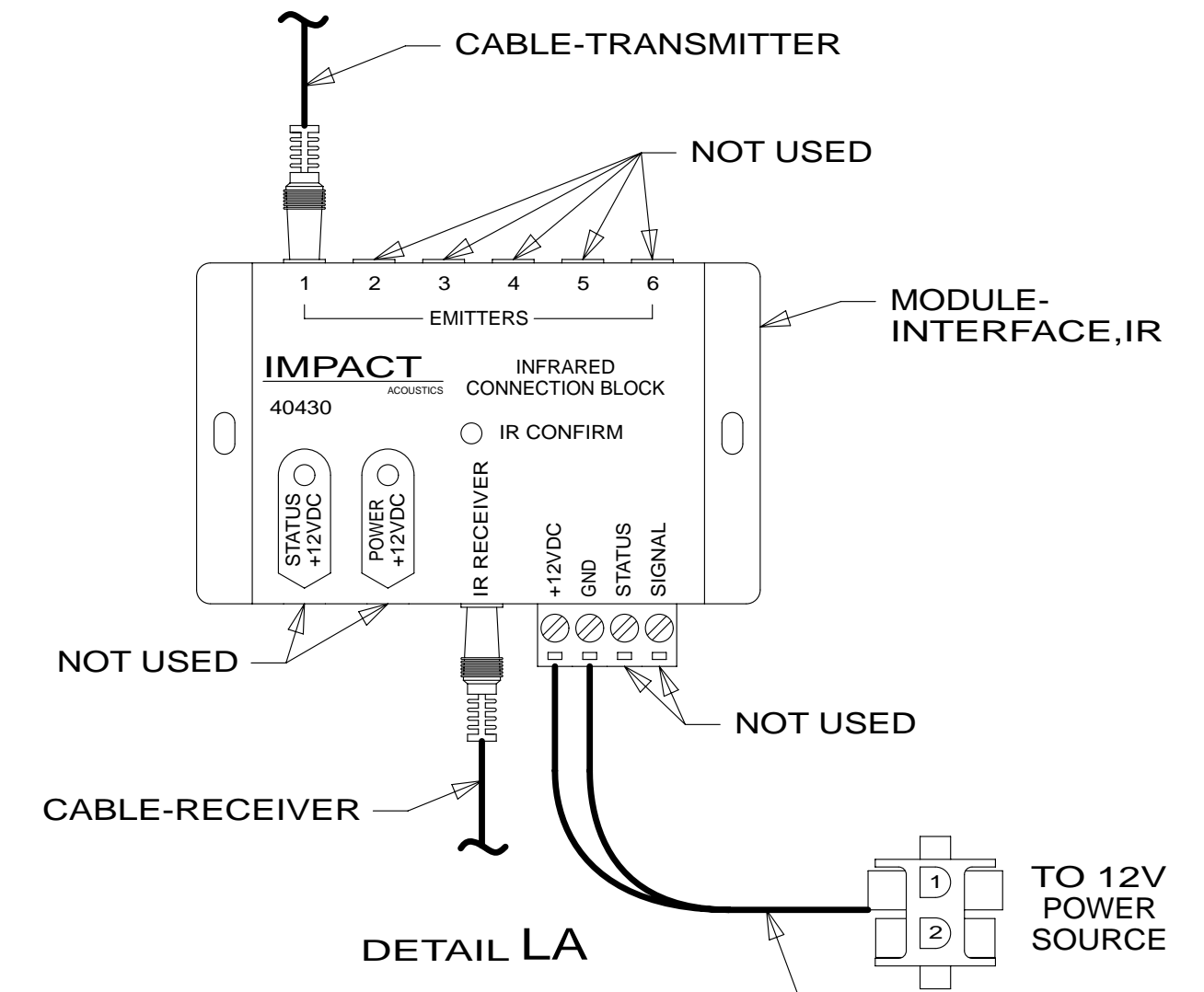
CROSSOVER NETWORK
BX-SPEAKER
150140-01-000
CONNECTS TO (2)
4-PIN HOUSINGS
FROM WIRE ASM-ROOF

1D3 SPLITTER-HD, VIDEO,
DISTRIBUTION
168942-01-000
POWER SUPPLY
168942-02-000
SCREW
G11-08-12U (4)

CONVERTER-HDMI/CAT6
(TRANSMITTER)
178304-02-000
DUAL LOCK
85774-01-000 (50 MM) (2)
85774-02-000 (50 MM) (2)

TRANSMITTER-INFRARED, IMPACT
149750-11-000

SPLITTER-TV, 3-WAY
86756-02-000
SCREW
G67-08-08U (2)



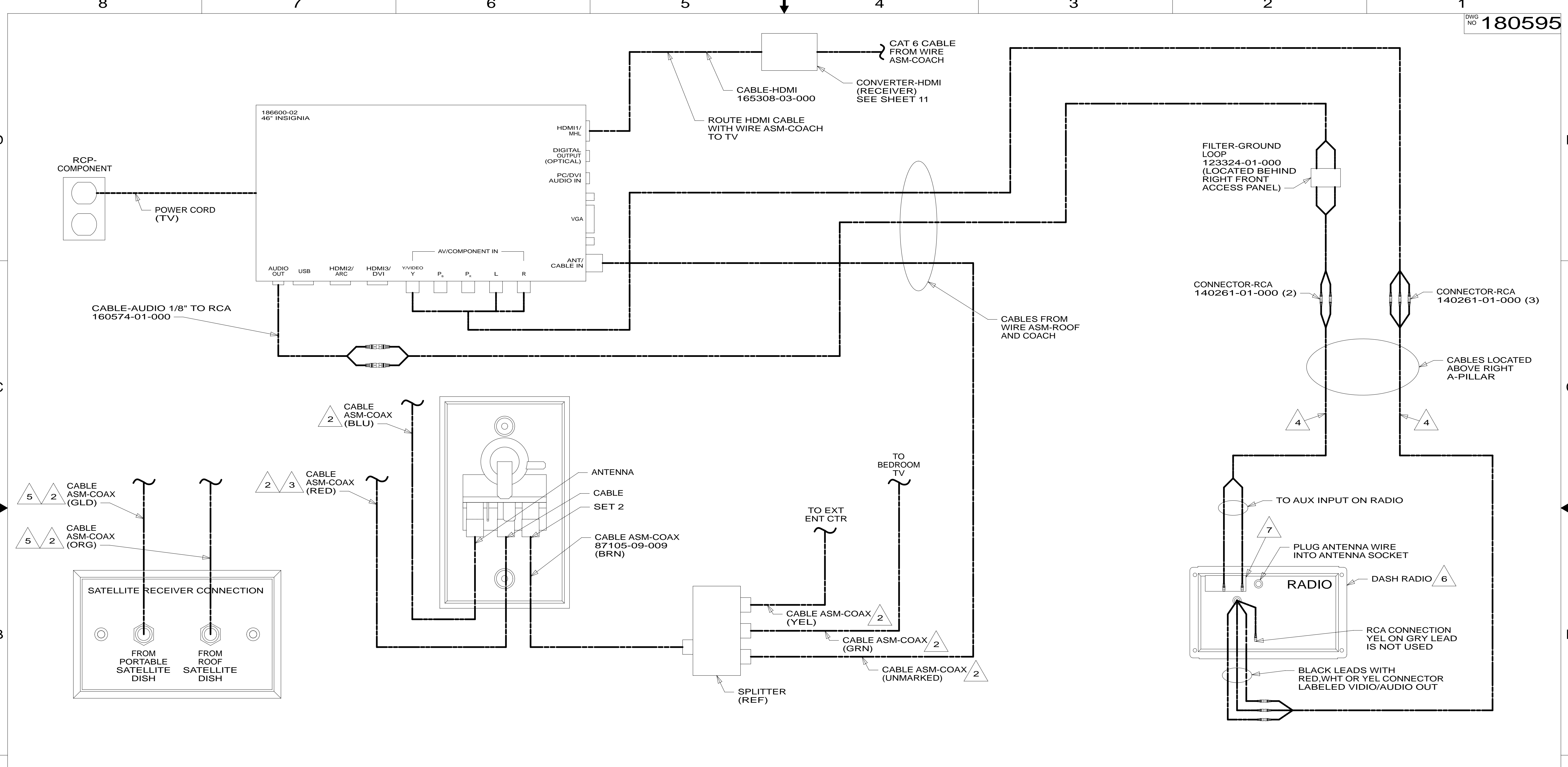
FOR ELECTRICAL
TORQUE
SPECIFICATIONS
SEE DWG NO.
128783-01-000

FOR ELECTRICAL
CALLOUTS
SEE DWG NO.
121339-01-000

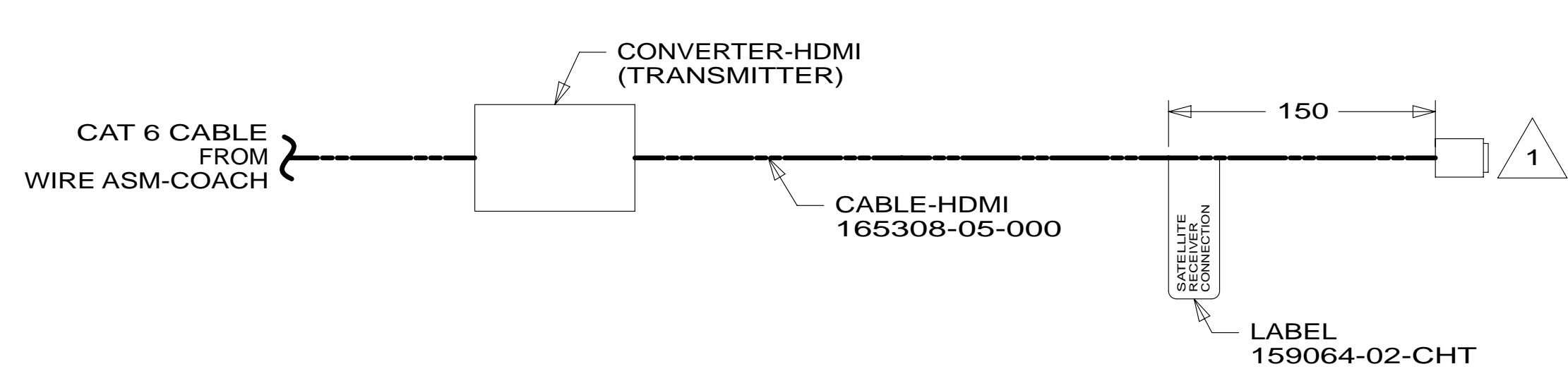
- 1D3 ENTERTAIN CENTR/EXT TV-DVD
- 193 TV ANT-DIGITAL AMPLIFIED
- 265 CODES/STANDARDS-CSA/CMVSS
- 1B1 CODES/STANDARDS USA

FIRST USED	
13 D-SERIES	
DO NOT SCALE DRAWING	
TITLE: WIRING INSTL-TV/DVD	
SHEET 11	PART NO 180595 REV

* 180595



- NOTES:
- 7 CONNECT CABLE-RCA TO RADIO 'AUX INPUT' CONNECTION.
 - 6 SEE RADIO INSTL FOR ADDITIONAL INFORMATION.
 - 5 CONNECTED TO THE REAR SIDE OF SATELLITE PREP PLATE, CONNECTION LABELED "FROM ROOF SATELLITE DISH".
 - 4 CABLE IS PART OF WIRE ASM-IP,MAIN.
 - 3 CONNECTED TO THE FRONT SIDE OF SATELLITE PREP PLATE, CONNECTION LABELED "TO SATELLITE RECEIVER OUTPUT".
 - 2 CABLE ROUTED IN ROOF.
 - 1 COIL CABLE IN SATELLITE RECEIVER PREP AREA.

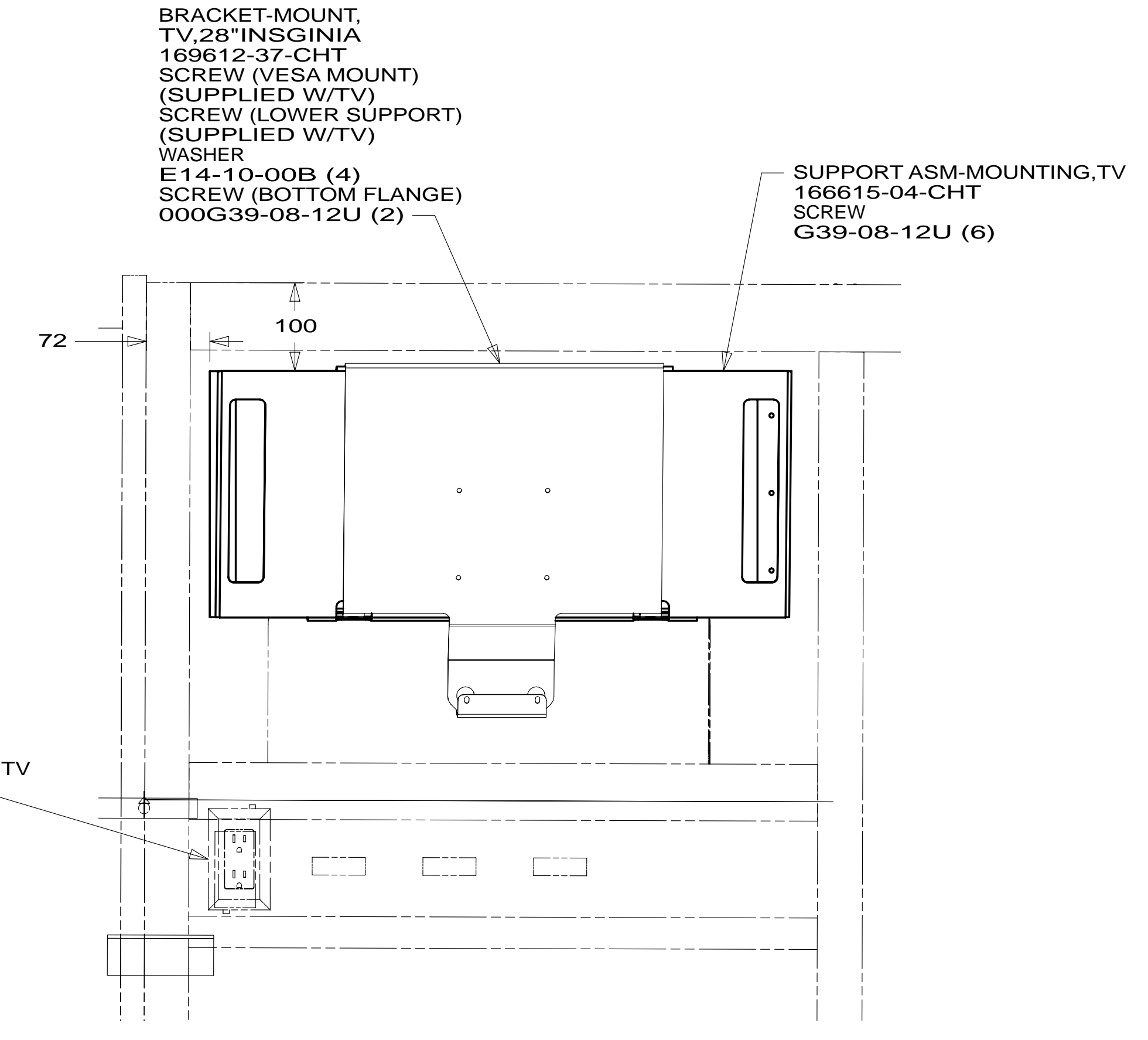
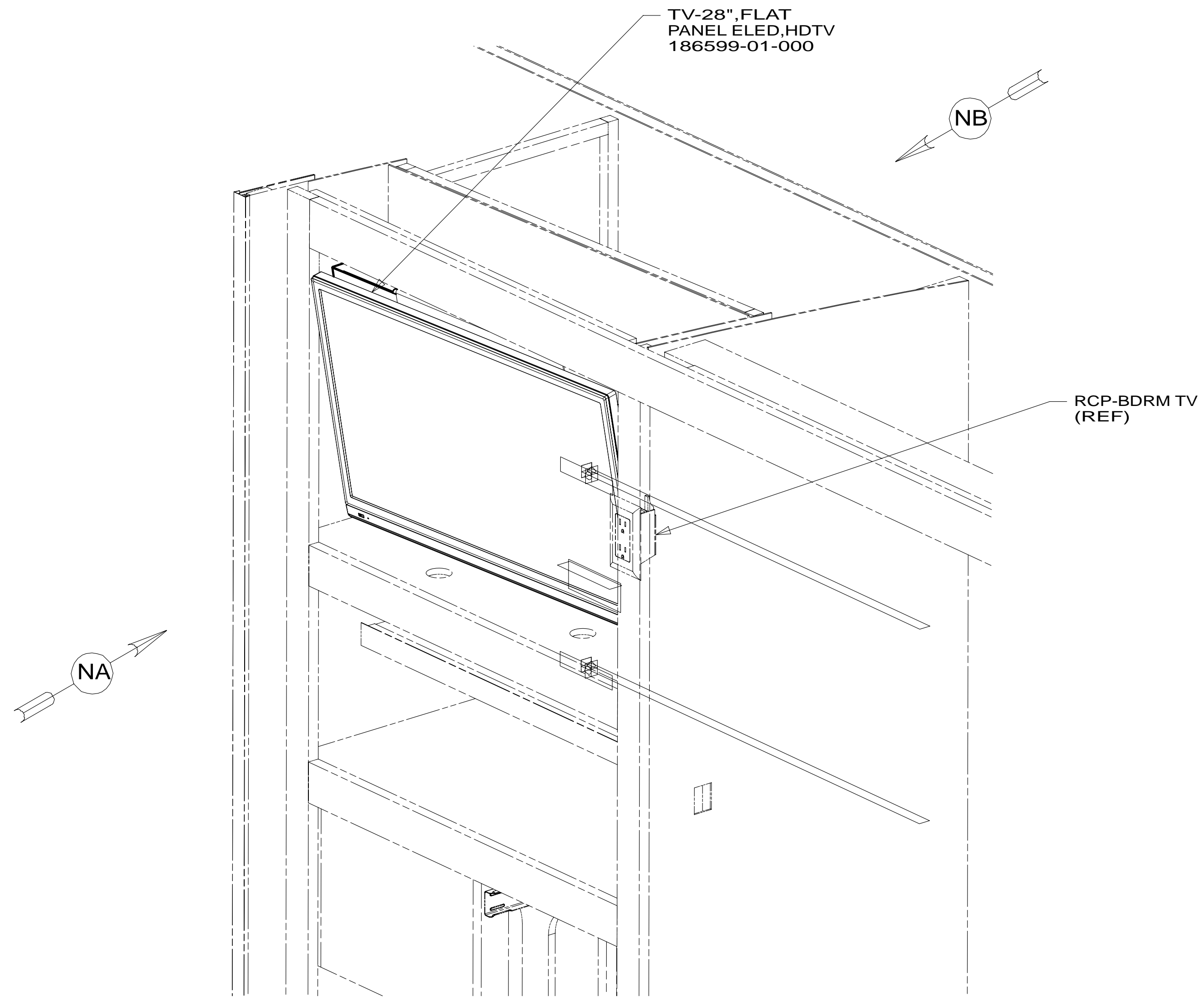


FOR ELECTRICAL TORQUE SPECIFICATIONS SEE DWG NO. 128783-01-000

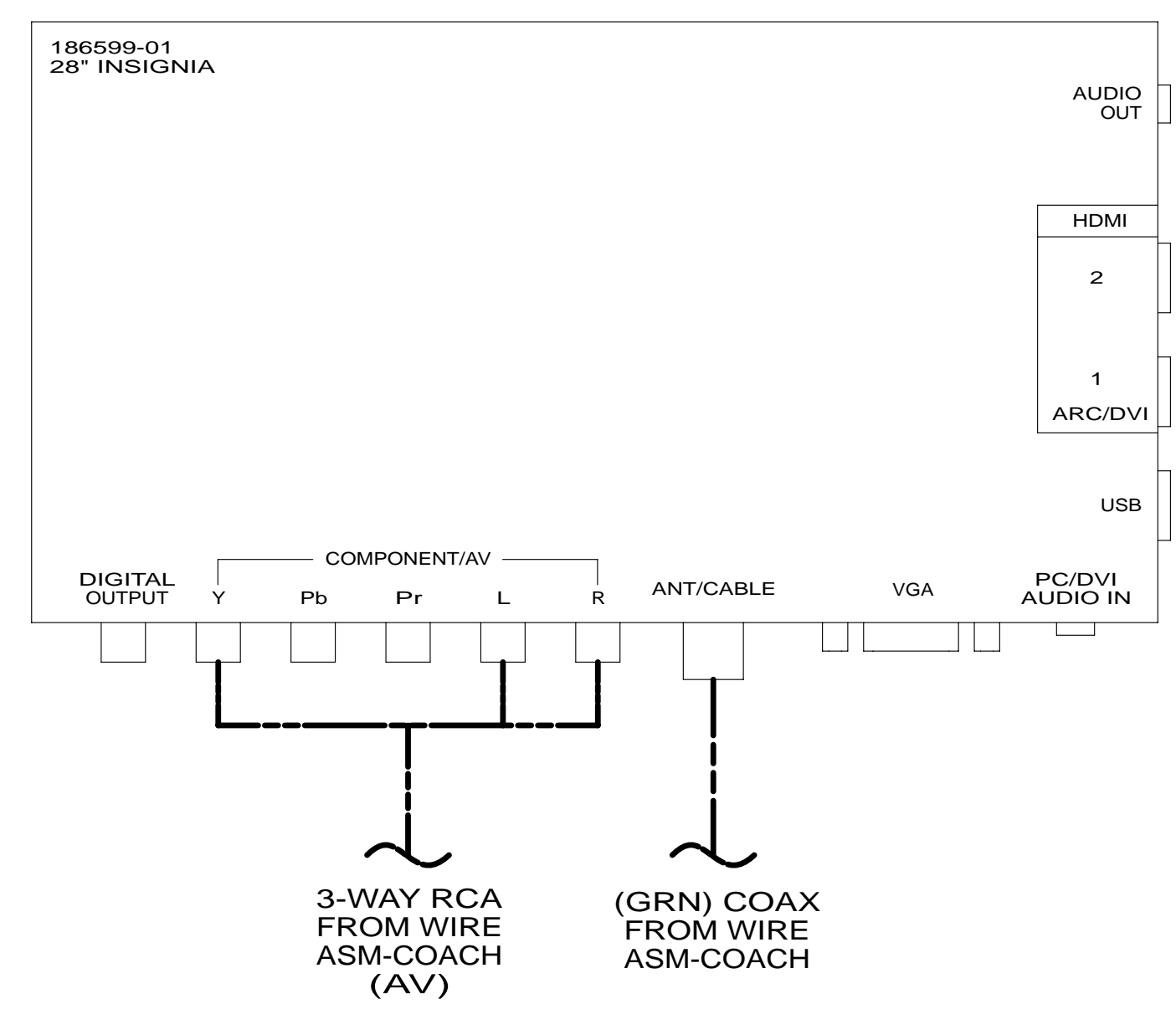
FOR ELECTRICAL CALLOUTS SEE DWG NO. 121339-01-000

265	CODES/STANDARDS-CSA/CMVSS
1B1	CODES/STANDARDS USA
1B1	265
FIRST USED	
13 D-SERIES	
DO NOT SCALE DRAWING	
TITLE: WIRING INSTL-TV/DVD	
SHEET 12	PART NO 180595 REV
06-May-2013	

* 180595 * A



VIEW NA
(TV NOT SHOWN)



VIEW NB

FOR ELECTRICAL TORQUE SPECIFICATIONS SEE DWG NO. 128783-01-000

FOR ELECTRICAL CALLOUTS SEE DWG NO. 121339-01-000

- 61M TV(REAR)-28" COLOR STEREO
- 265 CODES/STANDARDS-CSA/CMVSS
- 1B1 CODES/STANDARDS USA

1B1 265 61M

13 D-SERIES

DO NOT SCALE DRAWING

TITLE: **WIRING INSTL-TV/DVD**

SHEET 13 PART NO. **180595** REV