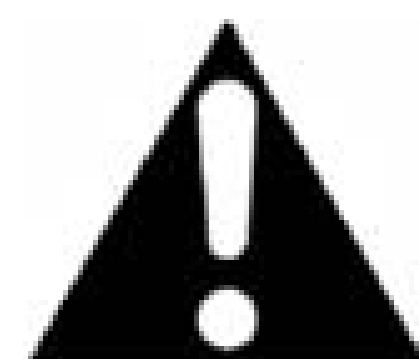




**DANGER**

**Danger of electrical shock, burns or death.** Always remove all power sources before attempting any repair, service or diagnostic work. Power can be present from shore power, generator, inverter or battery. All power sources must be disabled and secured before performing any service.

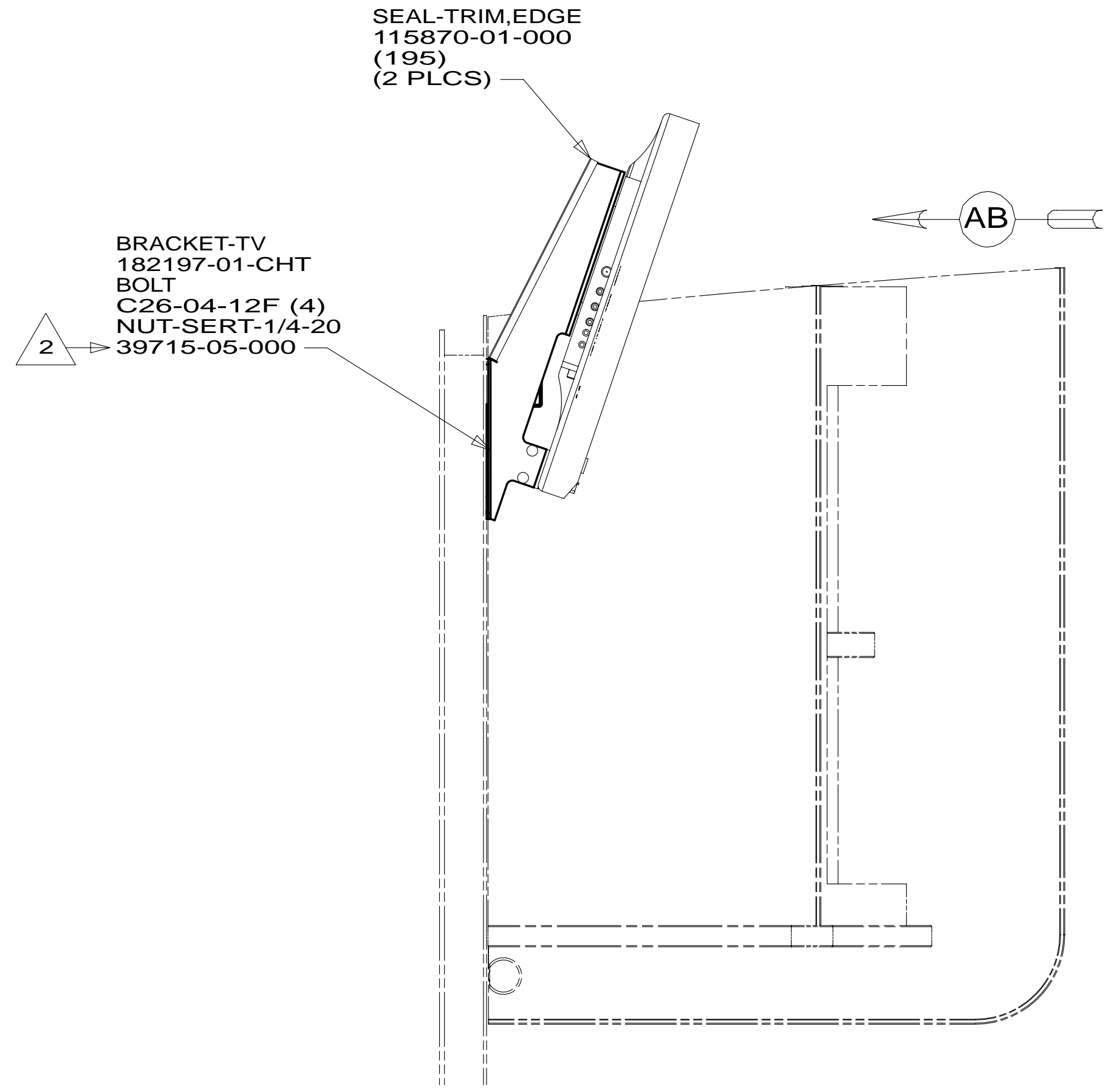


**CAUTION**

If you lack the skills, tools or equipment to perform diagnostic or repair work leave such work to an authorized Winnebago Industries dealer or other qualified shop.

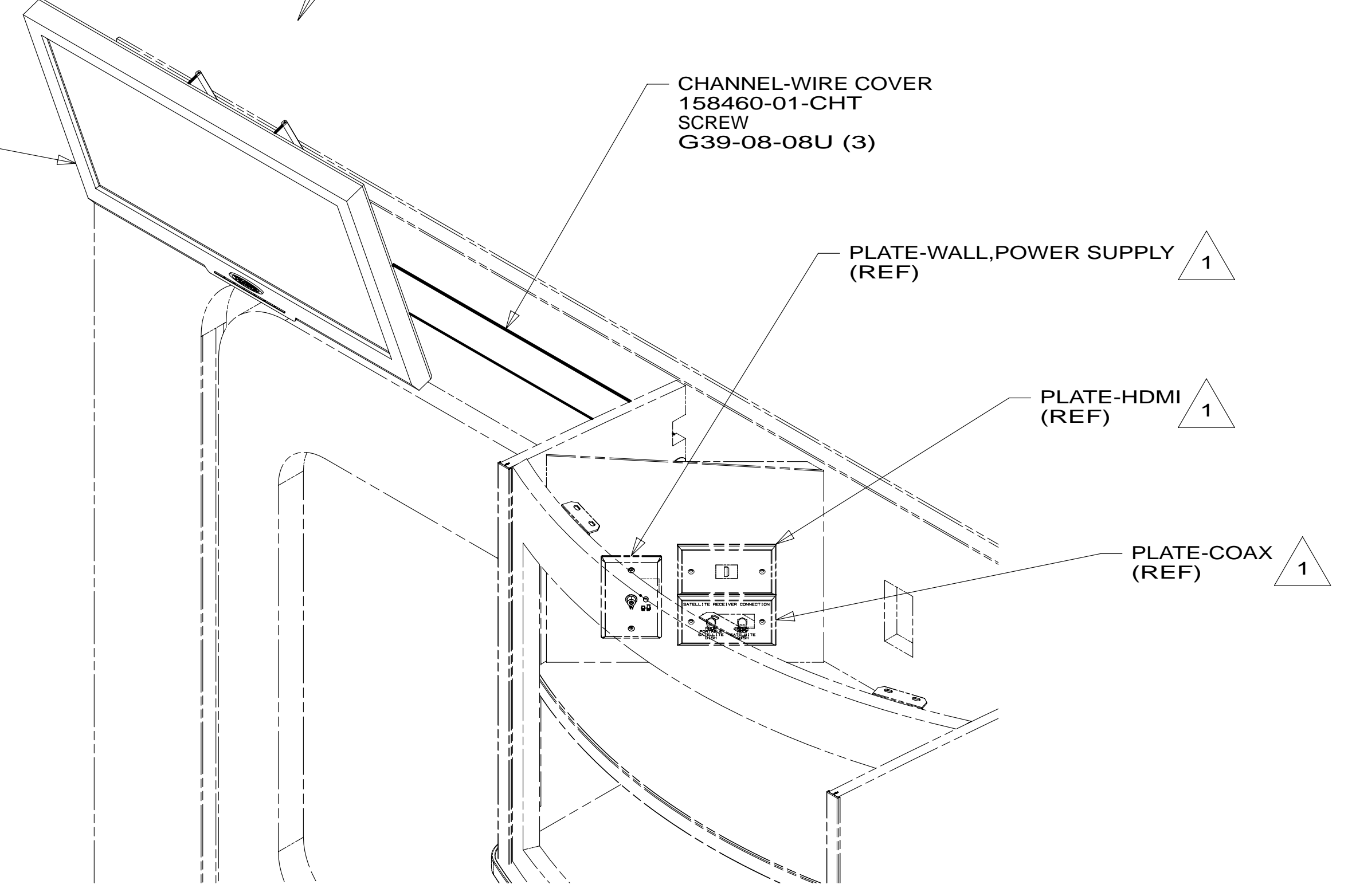
DRAWING NO.	MODEL	SHEETS
180593-01	524J	1,2,5,6
180593-02	524G,524M	3,4
180593-03	524V	4,7,8

RELEASE	REV/DATE	DWG NO	180593
REV ZONE	REVISION RECORD	DATE	DFT-ORIG

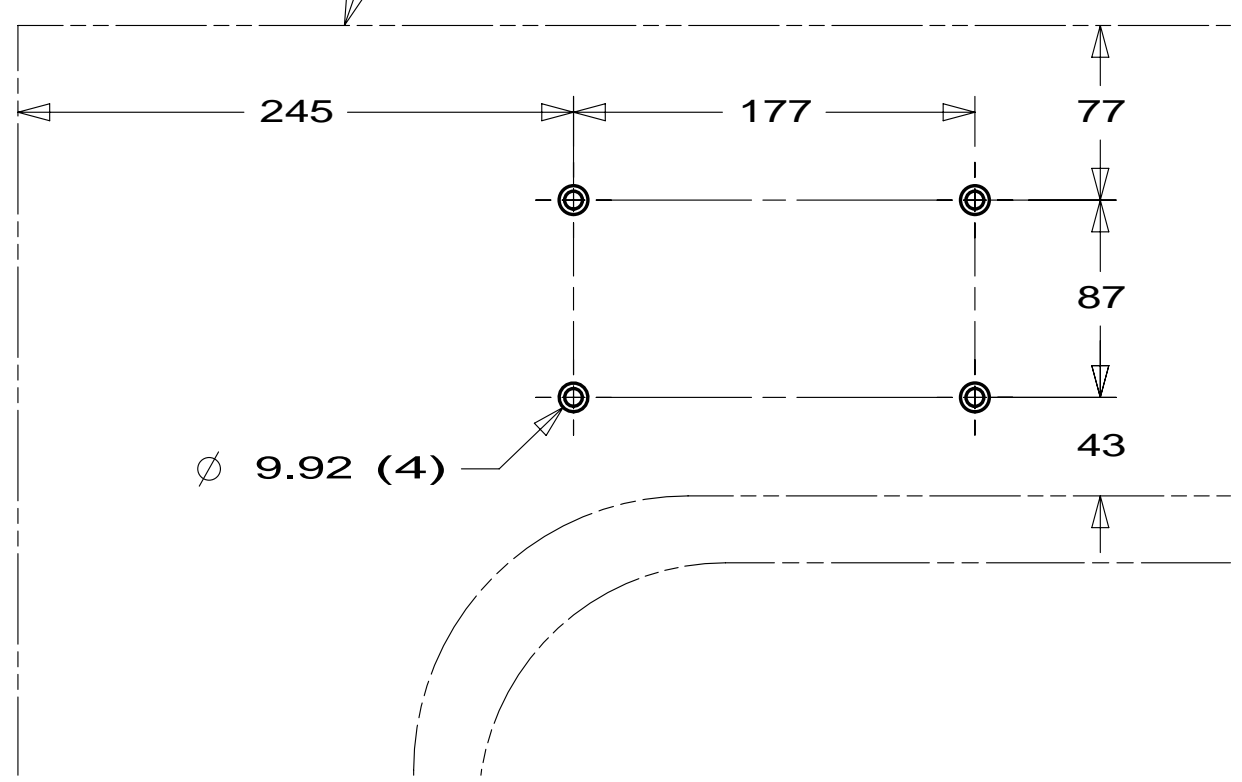


VIEW AA

TV-22", FLAT  
 PANEL LED, HDTV  
 180602-01-000  
 WASHER  
 E14-10-00U (8)  
 SCREW  
 (SUPPLIED WITH TV) (4)  
 WIRE ASM-POWER, TV  
 170909-02-000



SIDEWALL ASM-RIGHT  
(REF)



DETAIL AB

- NOTES:
- 2 REMOVE PANELING SO NUT-SERT CLAMPS JUST THE INNER WALL OF THE SIDEWALL TUBE.
  - 1 SEE WIRING INSTL-BODY, 12V FOR ADDITIONAL INFORMATION.

- 68E TV - DC 22" LCD W/REMOTE
- 265 CODES/STANDARDS-CSA/CMVSS
- 1B1 CODES/STANDARDS USA

- 1B1 265 68E

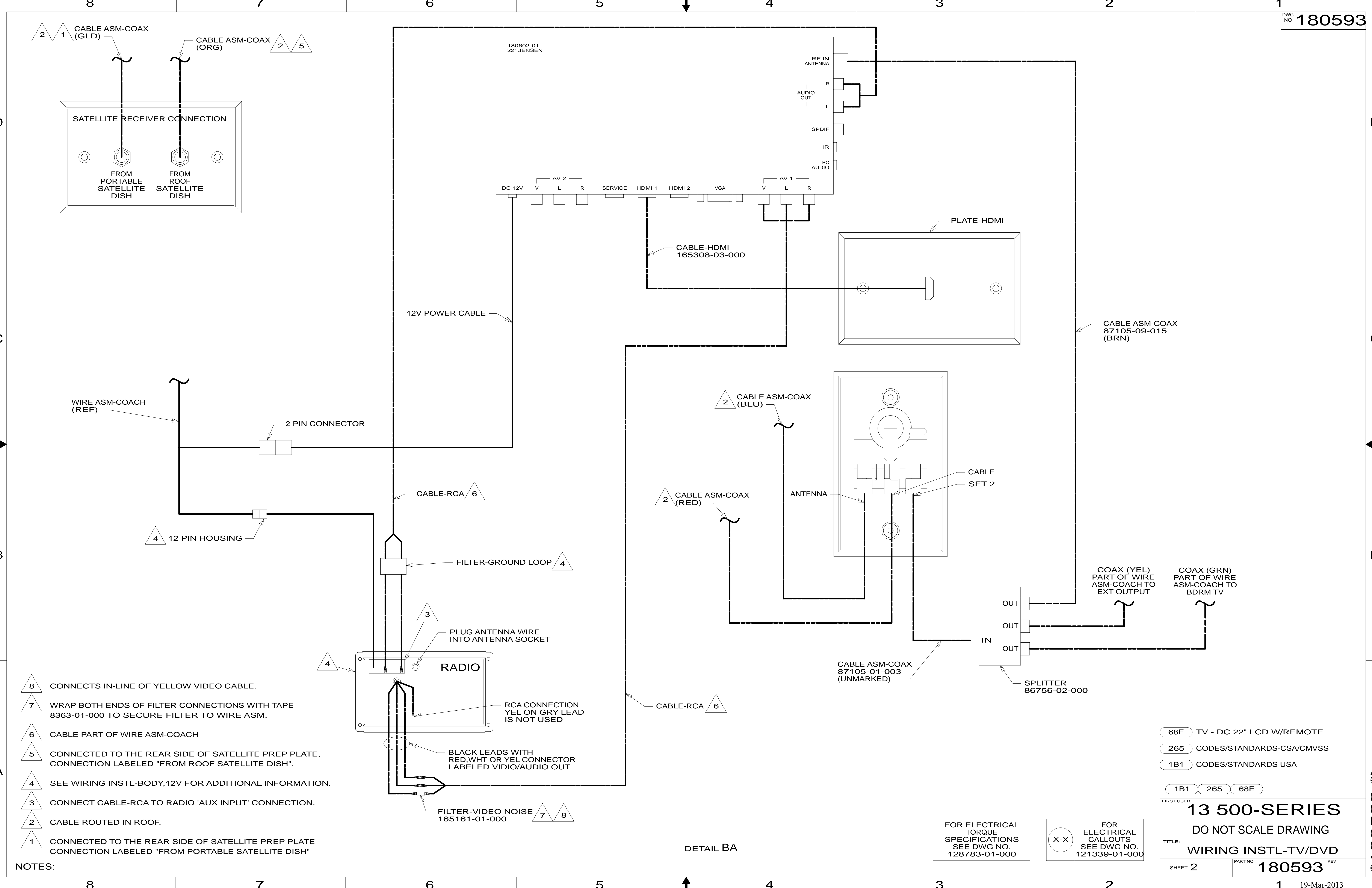
**WINNEBAGO** COPYRIGHT 2013 WINNEBAGO INDUSTRIES, INC.

DFT-ORIG	ORIG. DATE
CHKR	ALL DIMENSIONS ARE IN MILLIMETERS
P.E.	
M.E.	FIRST USED
DSNR	13 500-SERIES
UNSPECIFIED TOLERANCES ARE:	
WHOLE DIM (X)	: 3
ONE-PLACE (X.X)	: 1.5
TWO-PLACE (X.XX)	: 0.50
ANGLE	: 1°
THIRD ANGLE PROJECTION	
DO NOT SCALE DRAWING	REFER TO ES0018 FOR FASTENER TIGHTENING GUIDELINES
TITLE: <b>WIRING INSTL-TV/DVD</b>	
SHEET 1 OF 8	PART NO 180593 REV

FOR ELECTRICAL TORQUE SPECIFICATIONS SEE DWG NO. 128783-01-000

FOR ELECTRICAL CALLOUTS SEE DWG NO. 121339-01-000

\* 180593 \* A



- NOTES:
- 8 CONNECTS IN-LINE OF YELLOW VIDEO CABLE.
  - 7 WRAP BOTH ENDS OF FILTER CONNECTIONS WITH TAPE 8363-01-000 TO SECURE FILTER TO WIRE ASM.
  - 6 CABLE PART OF WIRE ASM-COACH
  - 5 CONNECTED TO THE REAR SIDE OF SATELLITE PREP PLATE, CONNECTION LABELED "FROM ROOF SATELLITE DISH".
  - 4 SEE WIRING INSTL-BODY,12V FOR ADDITIONAL INFORMATION.
  - 3 CONNECT CABLE-RCA TO RADIO 'AUX INPUT' CONNECTION.
  - 2 CABLE ROUTED IN ROOF.
  - 1 CONNECTED TO THE REAR SIDE OF SATELLITE PREP PLATE CONNECTION LABELED "FROM PORTABLE SATELLITE DISH"

- 68E TV - DC 22" LCD W/REMOTE
- 265 CODES/STANDARDS-CSA/CMVSS
- 1B1 CODES/STANDARDS USA

FIRST USED

**13 500-SERIES**

DO NOT SCALE DRAWING

TITLE: **WIRING INSTL-TV/DVD**

SHEET 2 PART NO **180593** REV

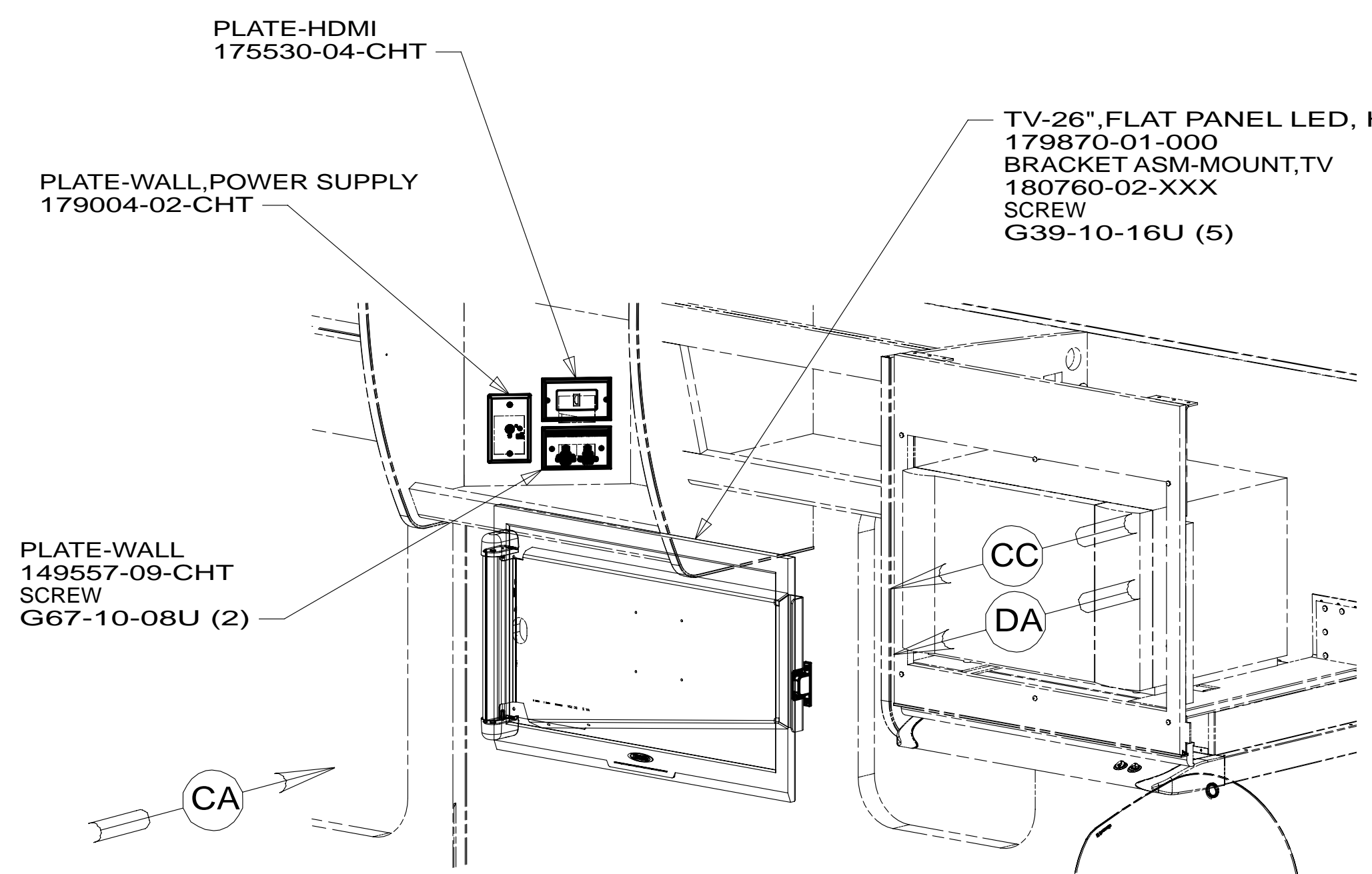
19-Mar-2013

FOR ELECTRICAL TORQUE SPECIFICATIONS SEE DWG NO. 128783-01-000

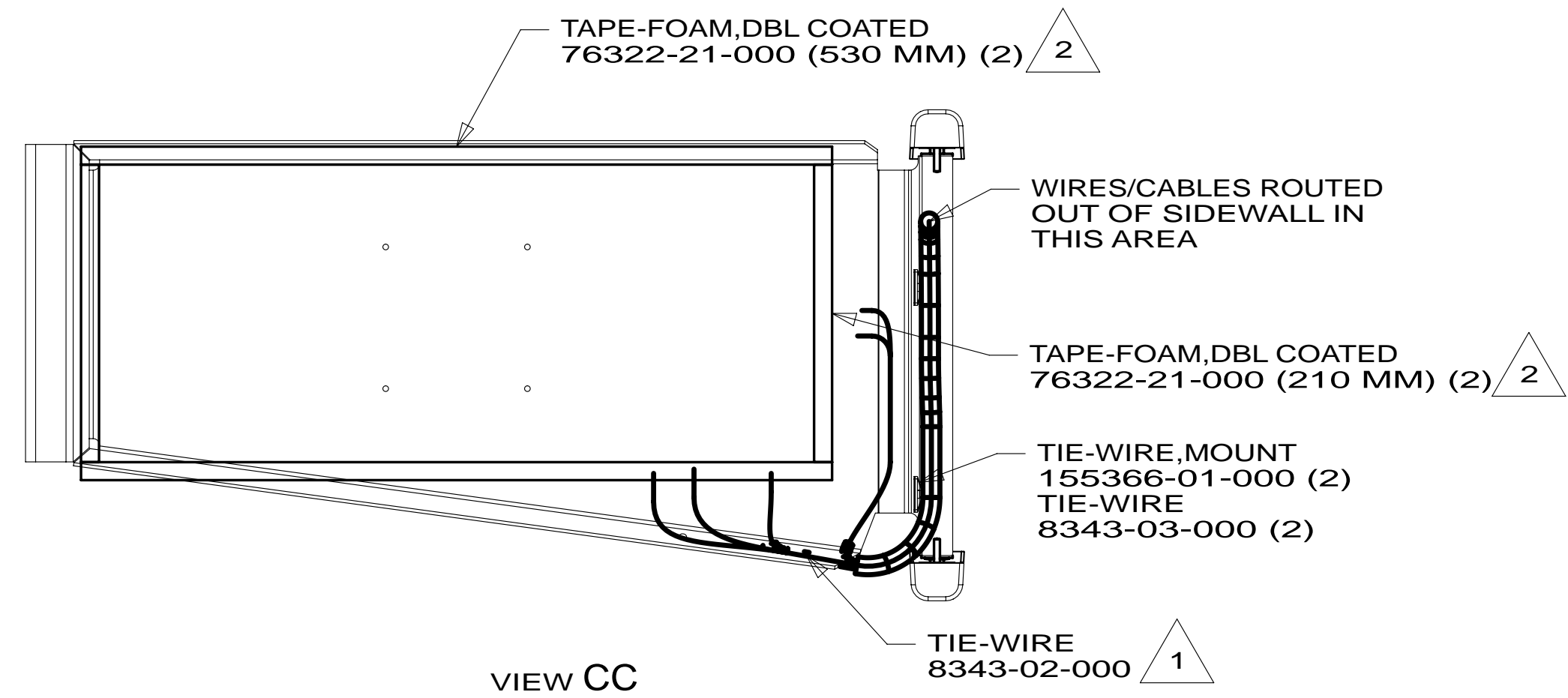
FOR ELECTRICAL CALLOUTS SEE DWG NO. 121339-01-000

DETAIL BA

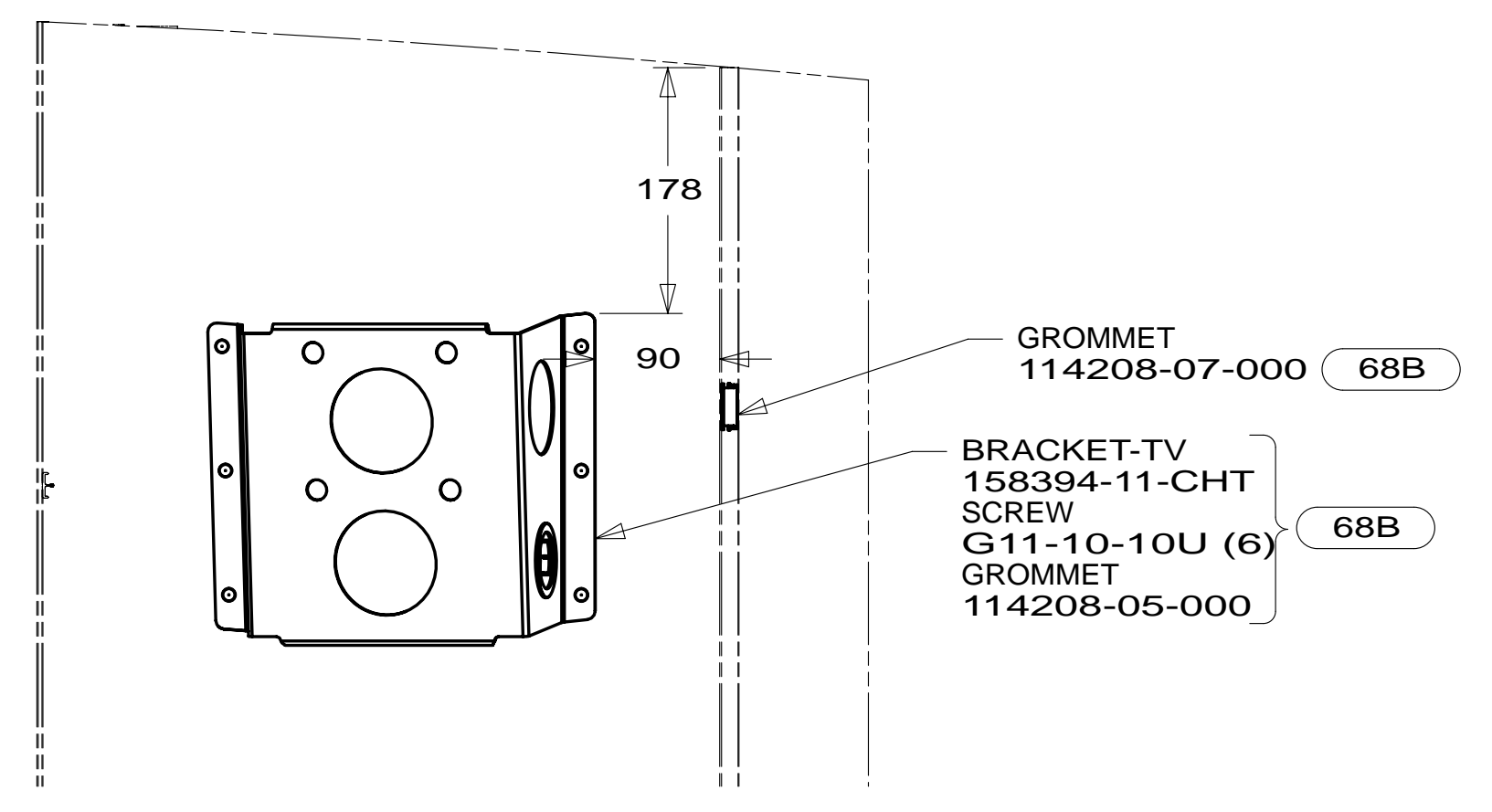
\* 180593 \*



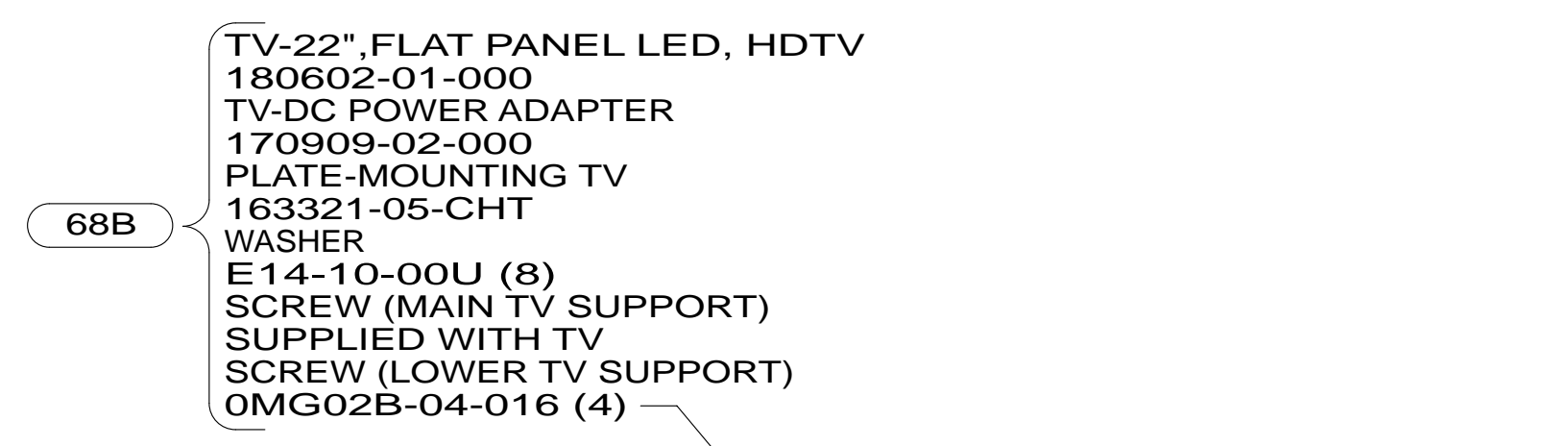
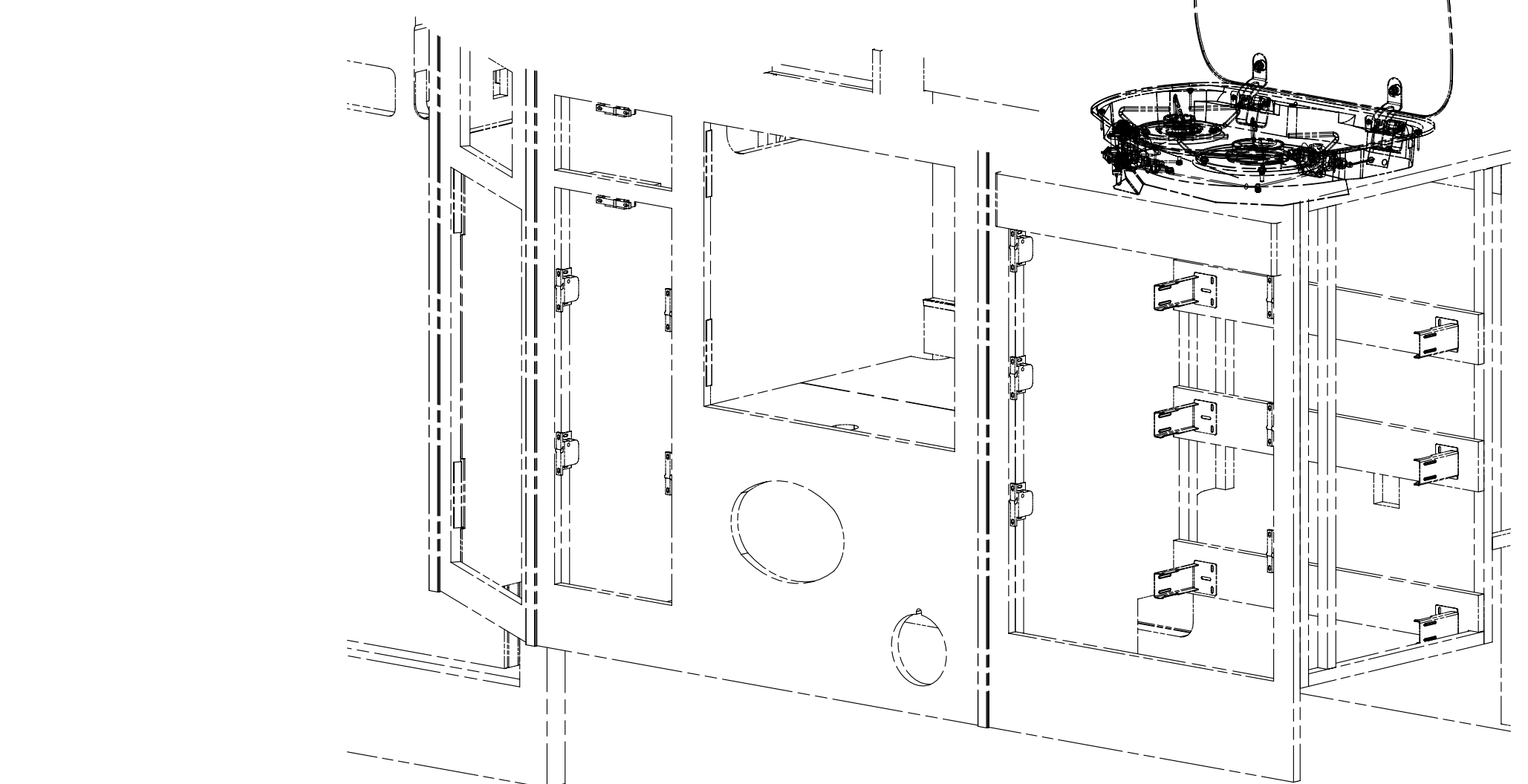
61A



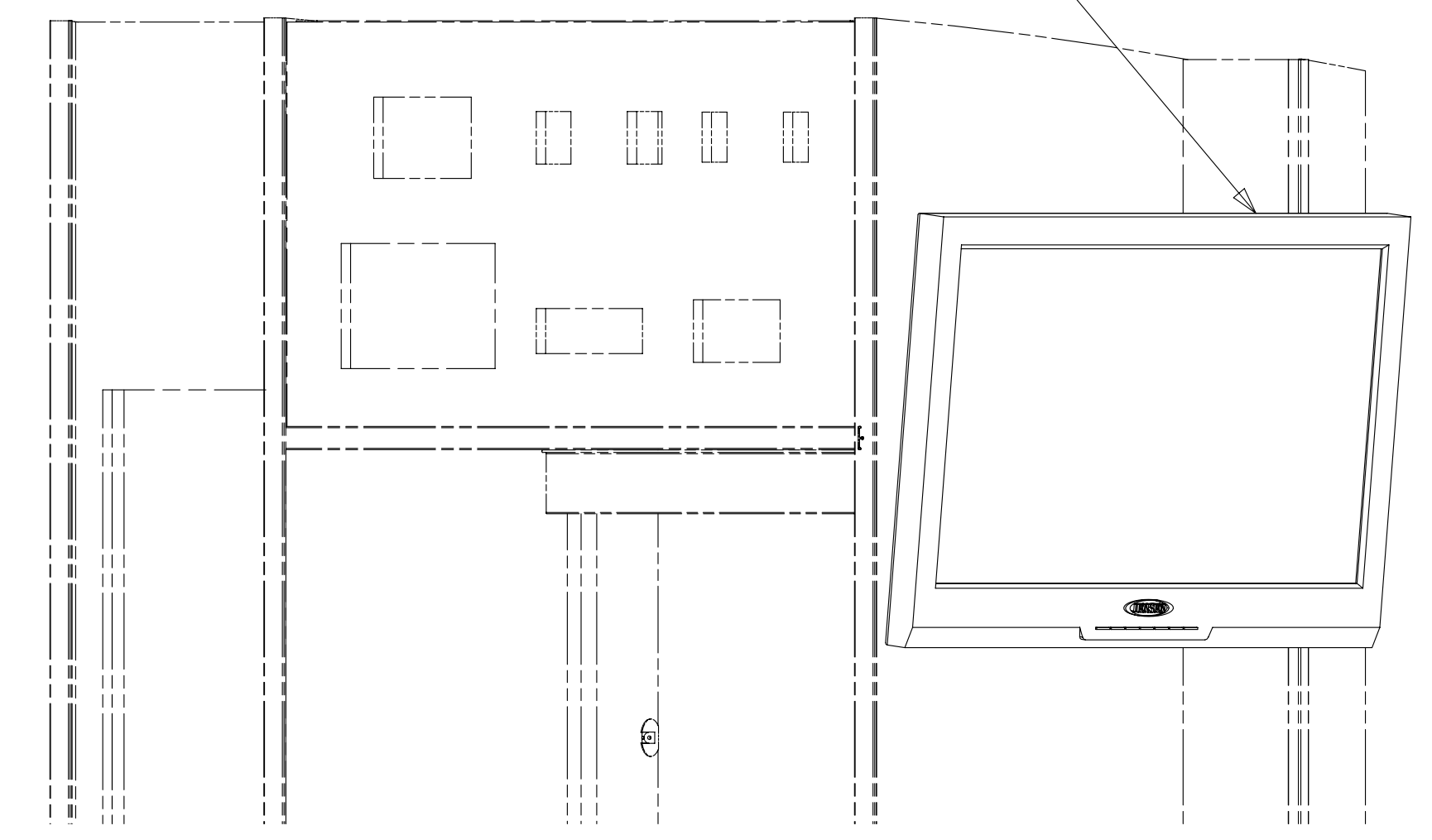
VIEW CC



VIEW CB

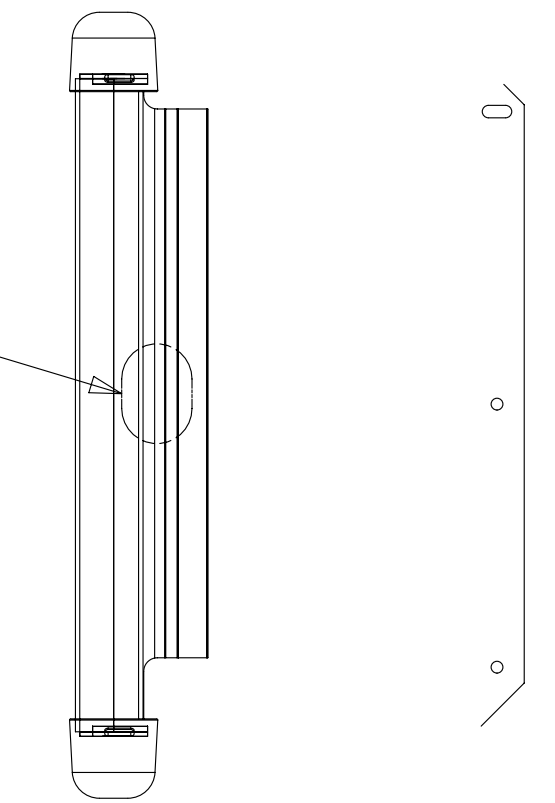


68B



CB

MOUNT TV BRACKET SO THAT SLOT IN BRACKET LINES UP WITH SLOT IN SIDEWALL



VIEW CA

- NOTES:
- 2 CLEAN AND APPLY ADHESIVE PROMOTER 87211-01-000 TO BOTH SURFACES AND BOND WHERE BRACKET CONTACTS PLASTIC TV CASE.
  - 1 USE HOLES IN BRACKET ASM-MOUNT,TV TO ATTACH WIRE ASM TO BRACKET ASM-MOUNT,TV WITH WIRE TIES.

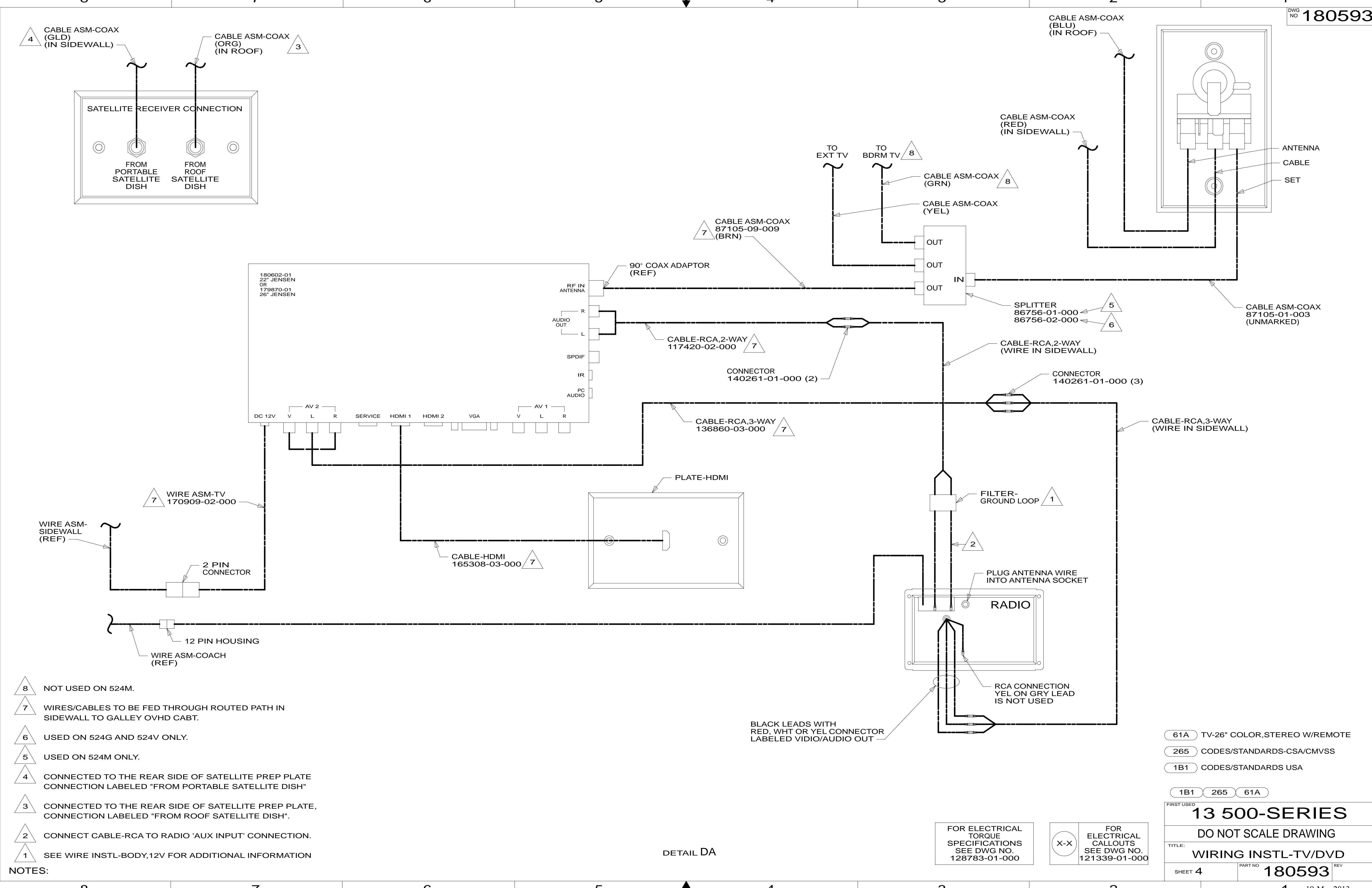
- 61A TV-26\"/>

1B1 265

FOR ELECTRICAL TORQUE SPECIFICATIONS SEE DWG NO. 128783-01-000

FOR ELECTRICAL SPECIFICATIONS SEE DWG NO. 121339-01-000

FIRST USED  
**13 500-SERIES**  
 DO NOT SCALE DRAWING  
 TITLE: **WIRING INSTL-TV/DVD**  
 SHEET 3 PART NO. **180593** REV



- NOTES:
- 8 NOT USED ON 524M.
  - 7 WIRES/CABLES TO BE FED THROUGH ROUTED PATH IN SIDEWALL TO GALLEY OVHD CABT.
  - 6 USED ON 524G AND 524V ONLY.
  - 5 USED ON 524M ONLY.
  - 4 CONNECTED TO THE REAR SIDE OF SATELLITE PREP PLATE CONNECTION LABELED "FROM PORTABLE SATELLITE DISH"
  - 3 CONNECTED TO THE REAR SIDE OF SATELLITE PREP PLATE, CONNECTION LABELED "FROM ROOF SATELLITE DISH".
  - 2 CONNECT CABLE-RCA TO RADIO 'AUX INPUT' CONNECTION.
  - 1 SEE WIRE INSTL-BODY,12V FOR ADDITIONAL INFORMATION

- 61A TV-26" COLOR,STEREO W/REMOTE
- 265 CODES/STANDARDS-CSA/CMVSS
- 1B1 CODES/STANDARDS USA

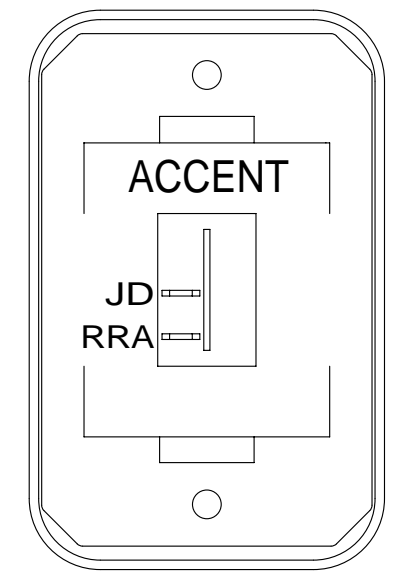
FIRST USED  
**13 500-SERIES**  
 DO NOT SCALE DRAWING  
 TITLE: **WIRING INSTL-TV/DVD**  
 SHEET 4 PART NO **180593** REV  
 19-Mar-2013

FOR ELECTRICAL TORQUE SPECIFICATIONS SEE DWG NO. 128783-01-000

FOR ELECTRICAL CALLOUTS SEE DWG NO. 121339-01-000

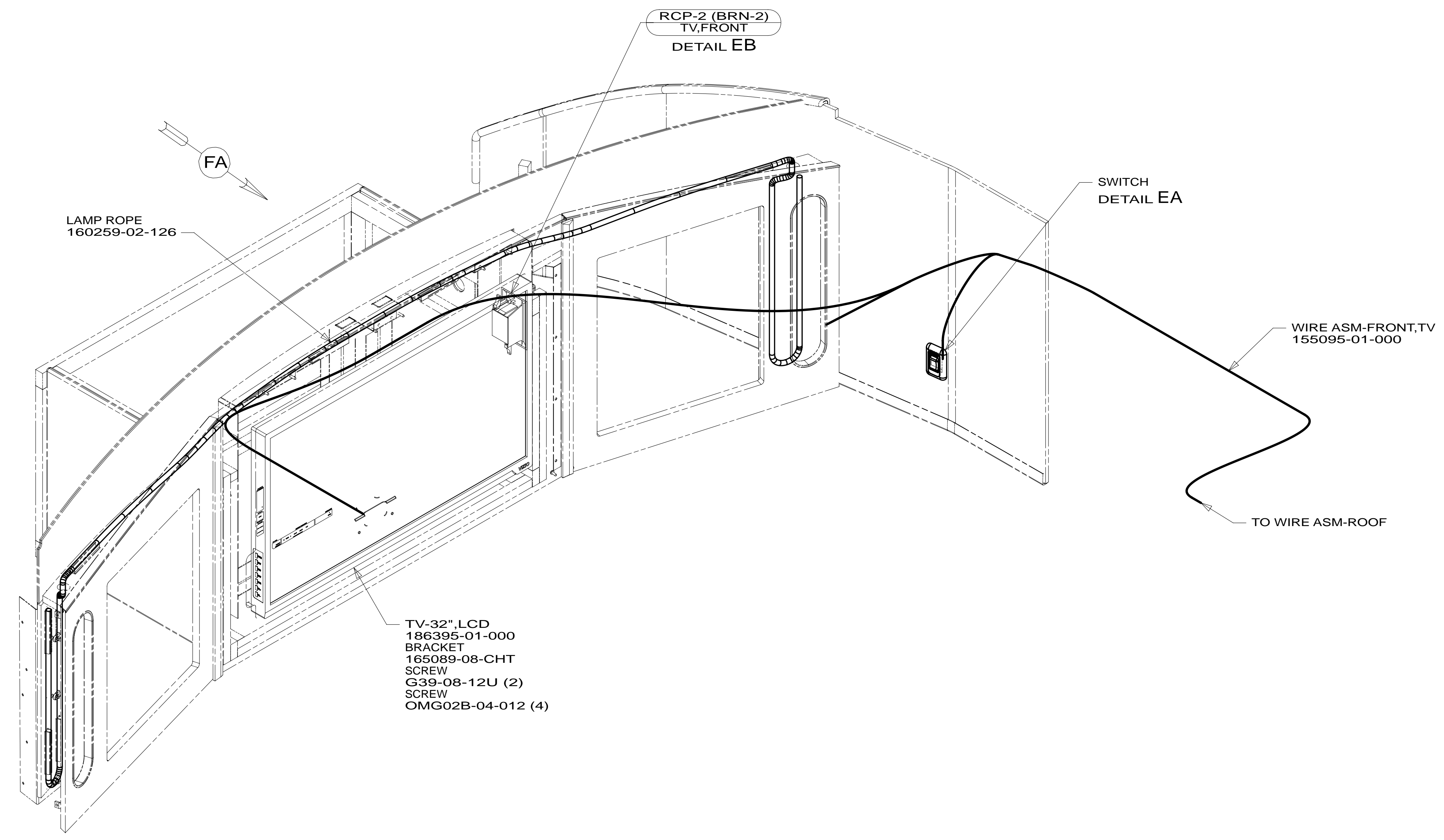
DETAIL DA

\* 180593 \* A



SWITCH-ROCKER  
135740-01-CHT  
SWITCH-BASE  
135741-01-CHT  
SWITCH-BEZEL  
135742-50-CHT  
SCREW  
G11-08-08U (2)

DETAIL EA



LAMP ROPE  
160259-02-126

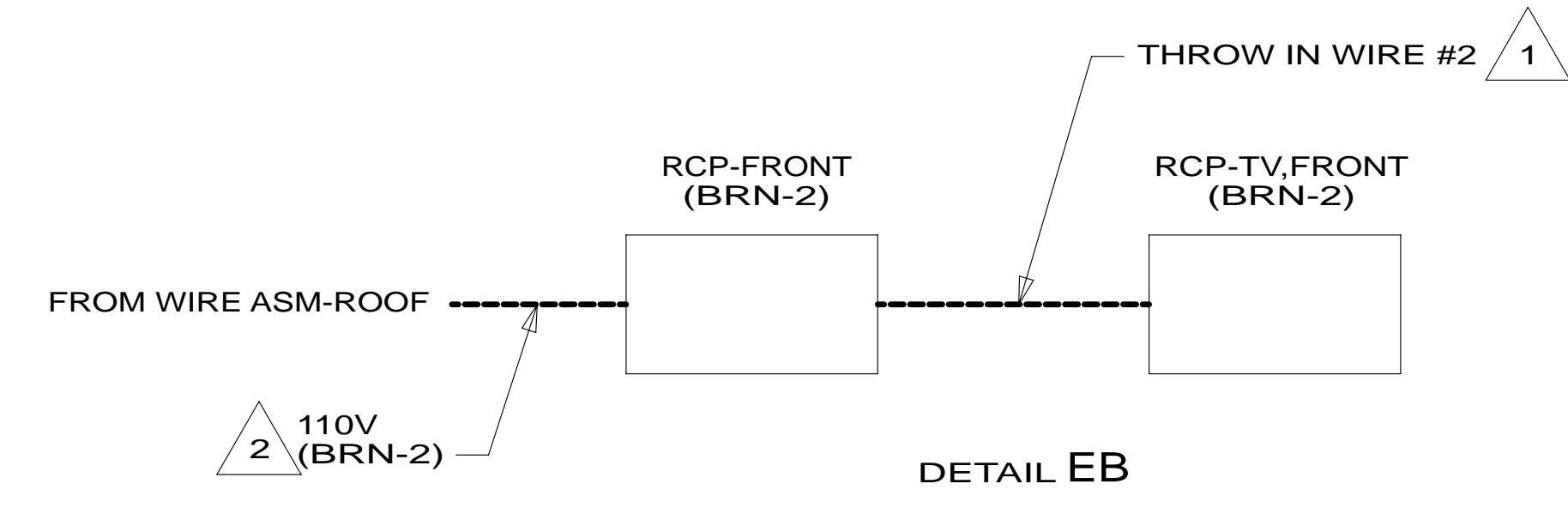
RCP-2 (BRN-2)  
TV,FRONT  
DETAIL EB

SWITCH  
DETAIL EA

WIRE ASM-FRONT,TV  
155095-01-000

TO WIRE ASM-ROOF

TV-32", LCD  
186395-01-000  
BRACKET  
165089-08-CHT  
SCREW  
G39-08-12U (2)  
SCREW  
OMG02B-04-012 (4)



RCP-FRONT  
(BRN-2)

RCP-TV,FRONT  
(BRN-2)

DETAIL EB

- 1L9 ENTERTAINMENT CENTER-CABOVER
- 265 CODES/STANDARDS-CSA/CMVSS
- 1B1 CODES/STANDARDS USA

1B1 265 1L9

FIRST USED  
**13 500-SERIES**

DO NOT SCALE DRAWING

TITLE:  
**WIRING INSTL-TV/DVD**

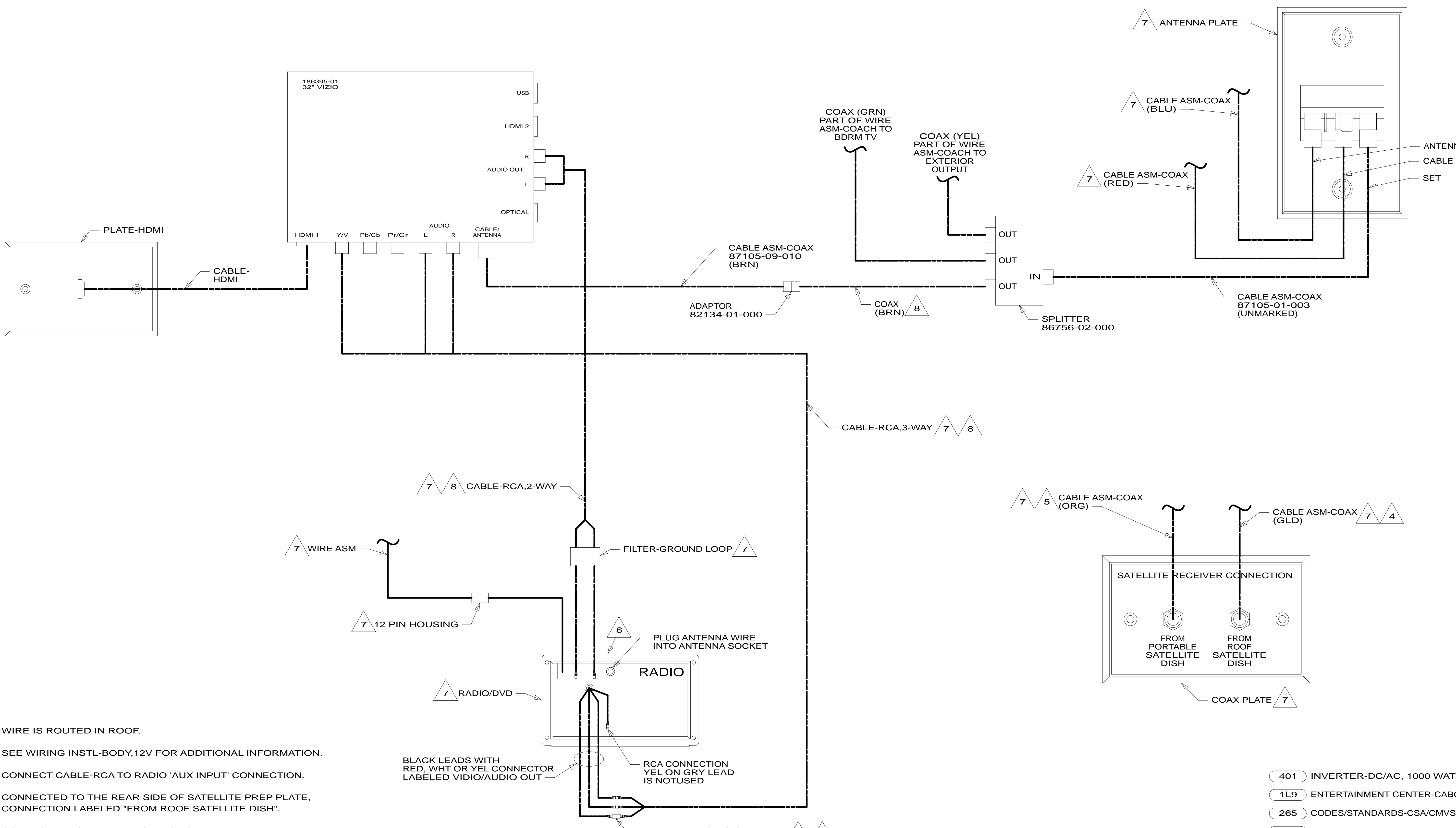
SHEET 5 PART NO **180593** REV

FOR ELECTRICAL  
TORQUE  
SPECIFICATIONS  
SEE DWG NO.  
128783-01-000

FOR  
ELECTRICAL  
CALLOUTS  
SEE DWG NO.  
121339-01-000

- NOTES:
- 2 WIRE ROUTED IN ROOF.
  - 1 SEE WIRING INSTL-BODY,110V AND LOAD CENTER/ATS ASM FOR ADDITIONAL INFORMATION.

\* 180593 \*



- NOTES:
- 8 WIRE IS ROUTED IN ROOF.
  - 7 SEE WIRING INSTL-BODY,12V FOR ADDITIONAL INFORMATION.
  - 6 CONNECT CABLE-RCA TO RADIO 'AUX INPUT' CONNECTION.
  - 5 CONNECTED TO THE REAR SIDE OF SATELLITE PREP PLATE, CONNECTION LABELED "FROM ROOF SATELLITE DISH".
  - 4 CONNECTED TO THE REAR SIDE OF SATELLITE PREP PLATE CONNECTION LABELED "FROM PORTABLE SATELLITE DISH"
  - 3 CONNECTS IN-LINE OF YELLOW VIDEO CABLE.
  - 2 WRAP BOTH ENDS OF FILTER CONNECTIONS WITH TAPE 8363-01-000 TO SECURE FILTER TO WIRE ASM.
  - 1 CONNECTED TO THE REAR SIDE OF SATELLITE PREP PLATE, CONNECTION LABELED "TO SATELLITE RECEIVER OUTPUT".

BLACK LEADS WITH RED, WHT OR YEL CONNECTOR LABELED VIDIO/AUDIO OUT

RCA CONNECTION YEL ON GRY LEAD IS NOTUSED

DETAIL FA

FOR ELECTRICAL TORQUE SPECIFICATIONS SEE DWG NO. 128783-01-000

FOR ELECTRICAL CALLOUTS SEE DWG NO. 121339-01-000

- 401 INVERTER-DC/AC, 1000 WATT
- 1L9 ENTERTAINMENT CENTER-CABOVER
- 265 CODES/STANDARDS-CSA/CMVSS
- 1B1 CODES/STANDARDS USA

1B1 265 1L9

FIRST USED

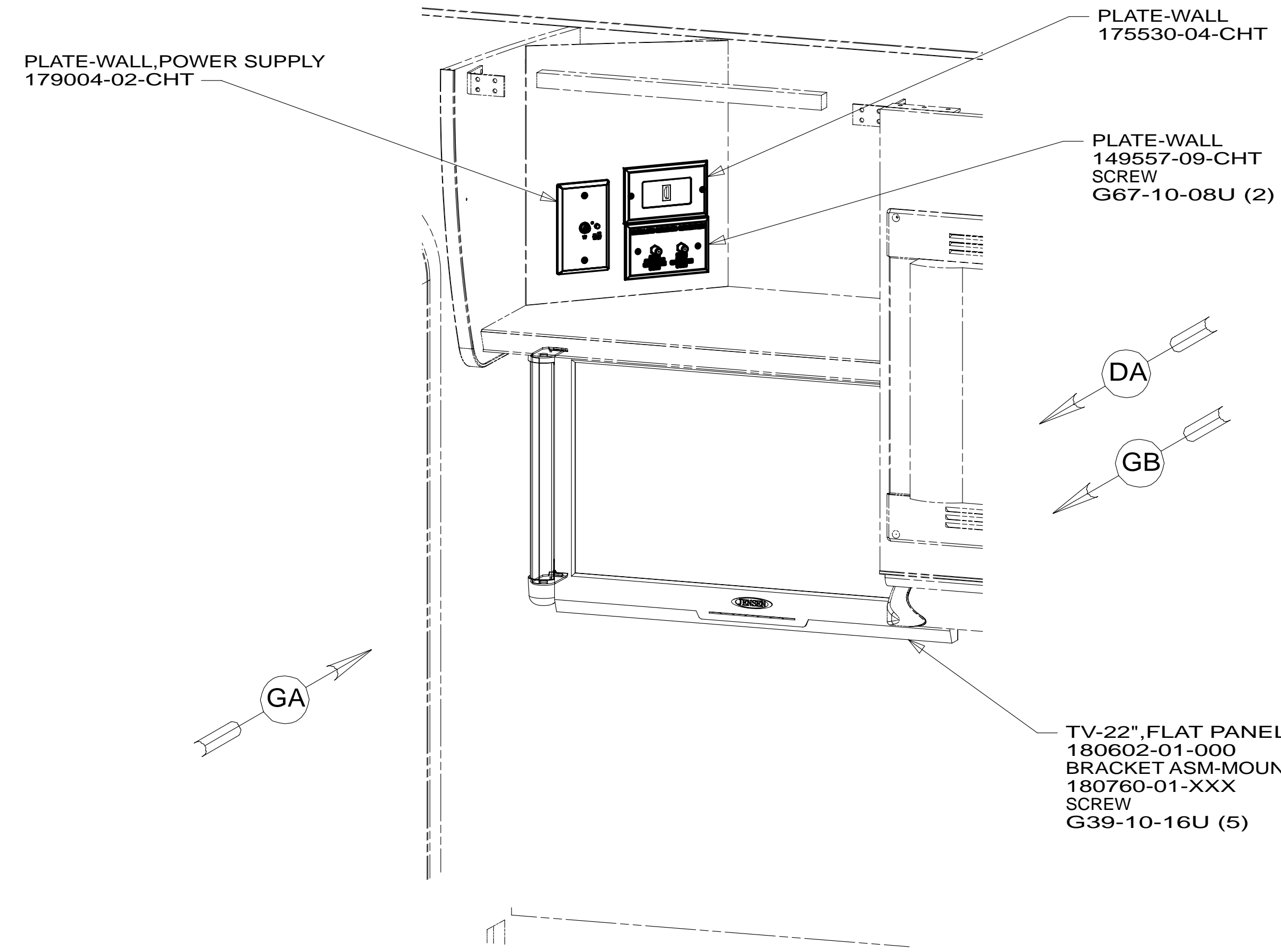
**13 500-SERIES**

DO NOT SCALE DRAWING

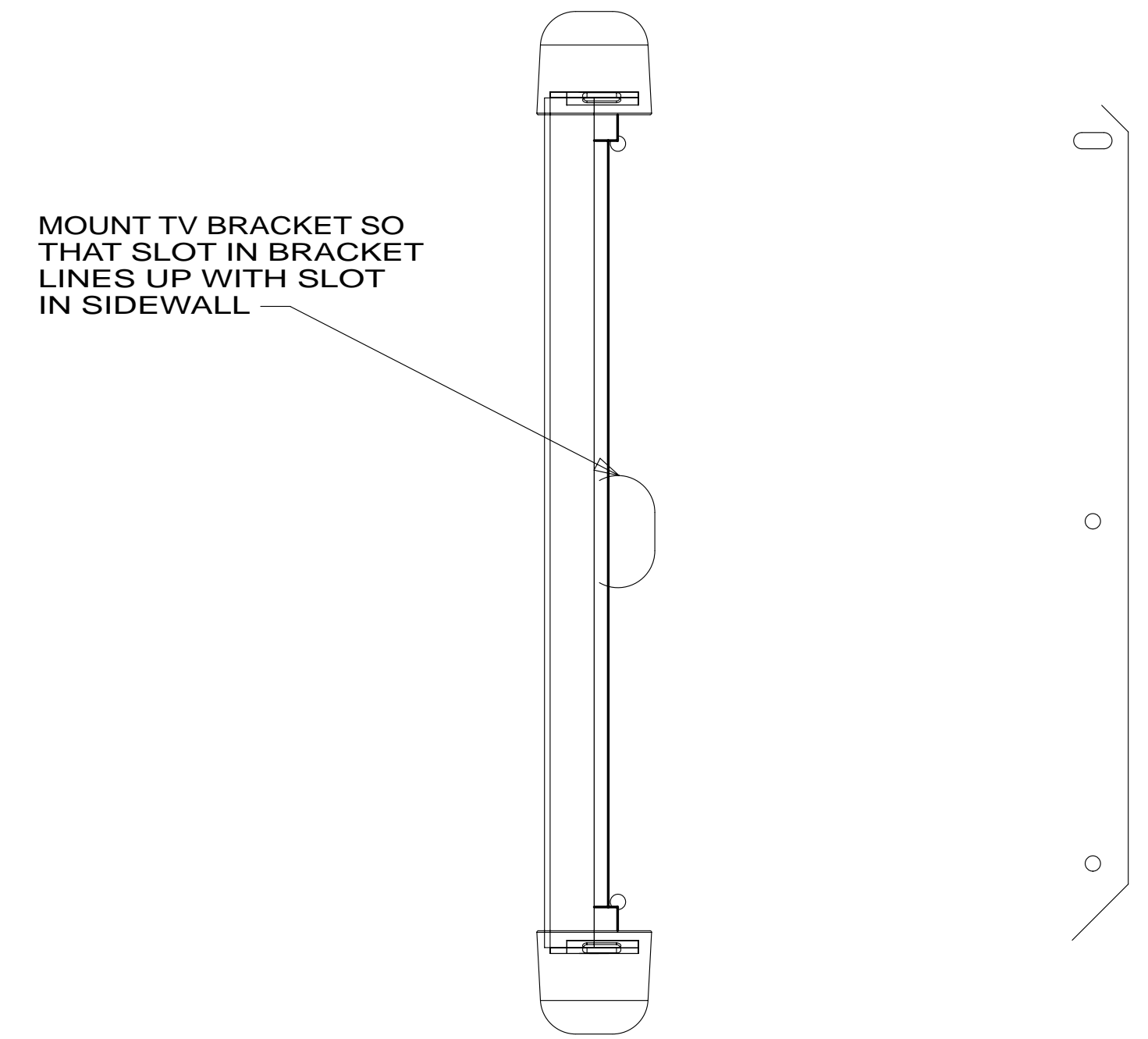
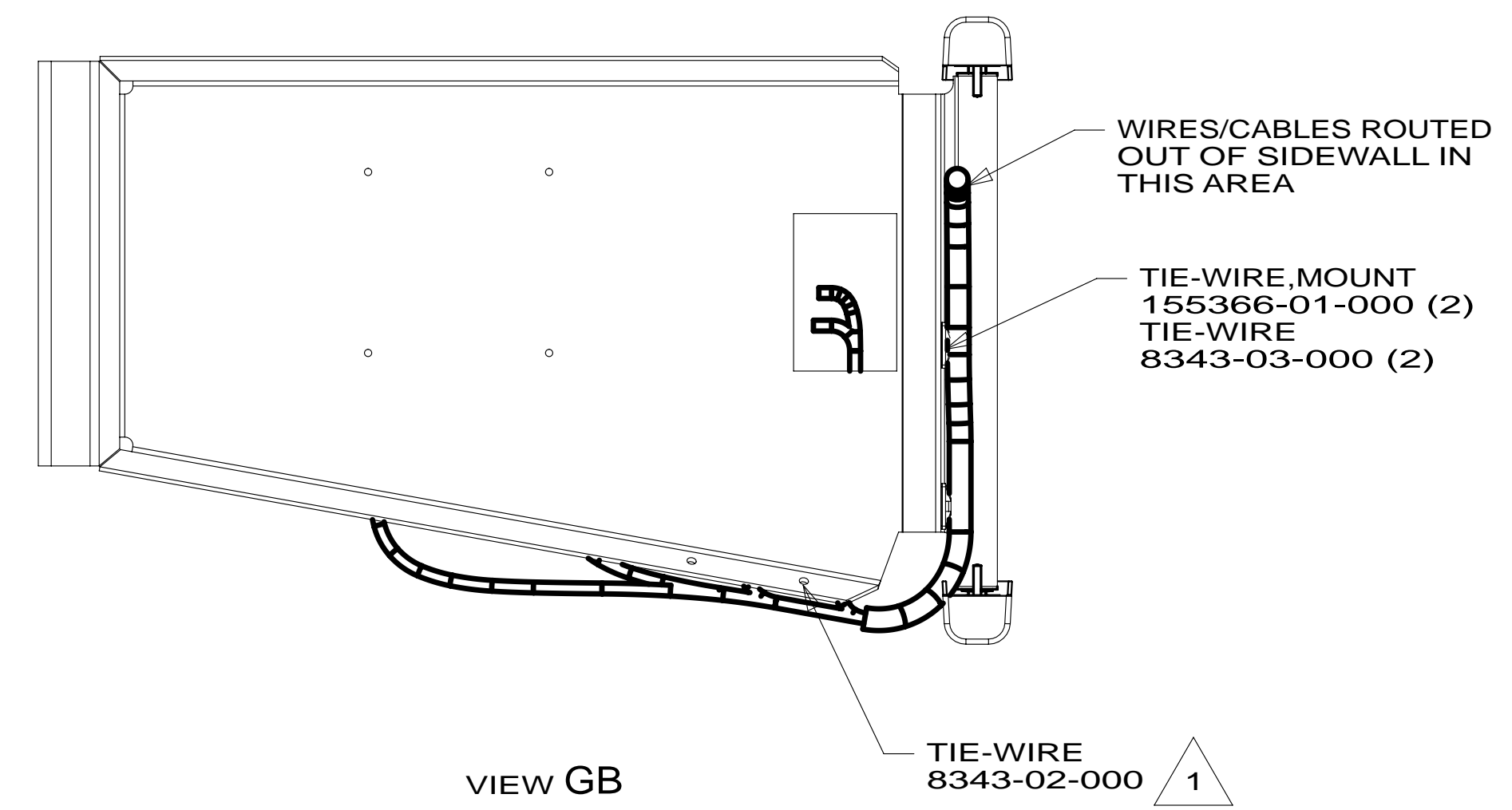
TITLE: **WIRING INSTL-TV/DVD**

SHEET 6 PART NO **180593** REV

19-Mar-2013



68E



1 USE HOLES IN BRACKET ASM-MOUNT, TV TO ATTACH  
WIRE ASM TO BRACKET ASM-MOUNT, TV WITH WIRE TIES.

NOTES:

- 68E TV - DC 22" LCD W/REMOTE
- 265 CODES/STANDARDS-CSA/CMVSS
- 1B1 CODES/STANDARDS USA

1B1 265

FIRST USED  
**13 500-SERIES**

DO NOT SCALE DRAWING

TITLE:  
**WIRING INSTL-TV/DVD**

SHEET 7 PART NO **180593** REV

FOR ELECTRICAL  
TORQUE  
SPECIFICATIONS  
SEE DWG NO.  
128783-01-000

X-X  
FOR  
ELECTRICAL  
CALLOUTS  
SEE DWG NO.  
121339-01-000

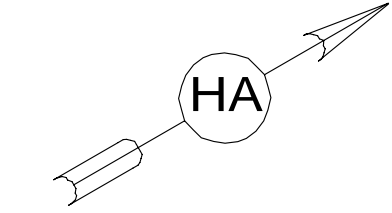


GROMMET  
114208-07-000

TV-22",FLAT PANEL LED, HDTV  
180602-01-000  
WIRE ASM-TV  
170909-02-000  
PLATE-MOUNTING  
163321-05-CHT  
SCREW  
(SUPPLIED WITH TV)  
SCREW  
G39-10-10U (2)

PIPE COVER  
(REF)

BRACKET-TV  
158394-12-CHT  
SCREW  
G11-10-10U (6)  
GROMMET  
114208-05-000



84

747

BED BOARD  
(REF)

VIEW HA

1 USE HOLES IN BRACKET ASM-MOUNT,TV TO ATTACH  
WIRE ASM TO BRACKET ASM-MOUNT,TV WITH WIRE TIES.

FOR ELECTRICAL  
TORQUE  
SPECIFICATIONS  
SEE DWG NO.  
128783-01-000

FOR  
ELECTRICAL  
CALLOUTS  
SEE DWG NO.  
121339-01-000

- 68B TV (REAR)DC 22" LCD W/REMOTE
- 265 CODES/STANDARDS-CSA/CMVSS
- 1B1 CODES/STANDARDS USA

1B1 265 68B

FIRST USED  
**13 500-SERIES**

DO NOT SCALE DRAWING

TITLE:  
**WIRING INSTL-TV/DVD**

SHEET 8 PART NO. **180593** REV