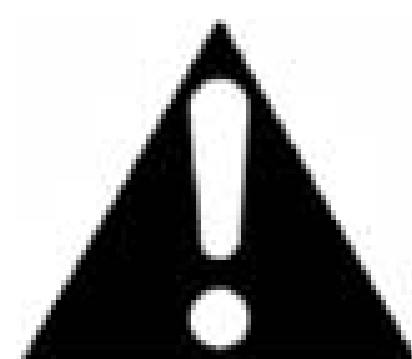




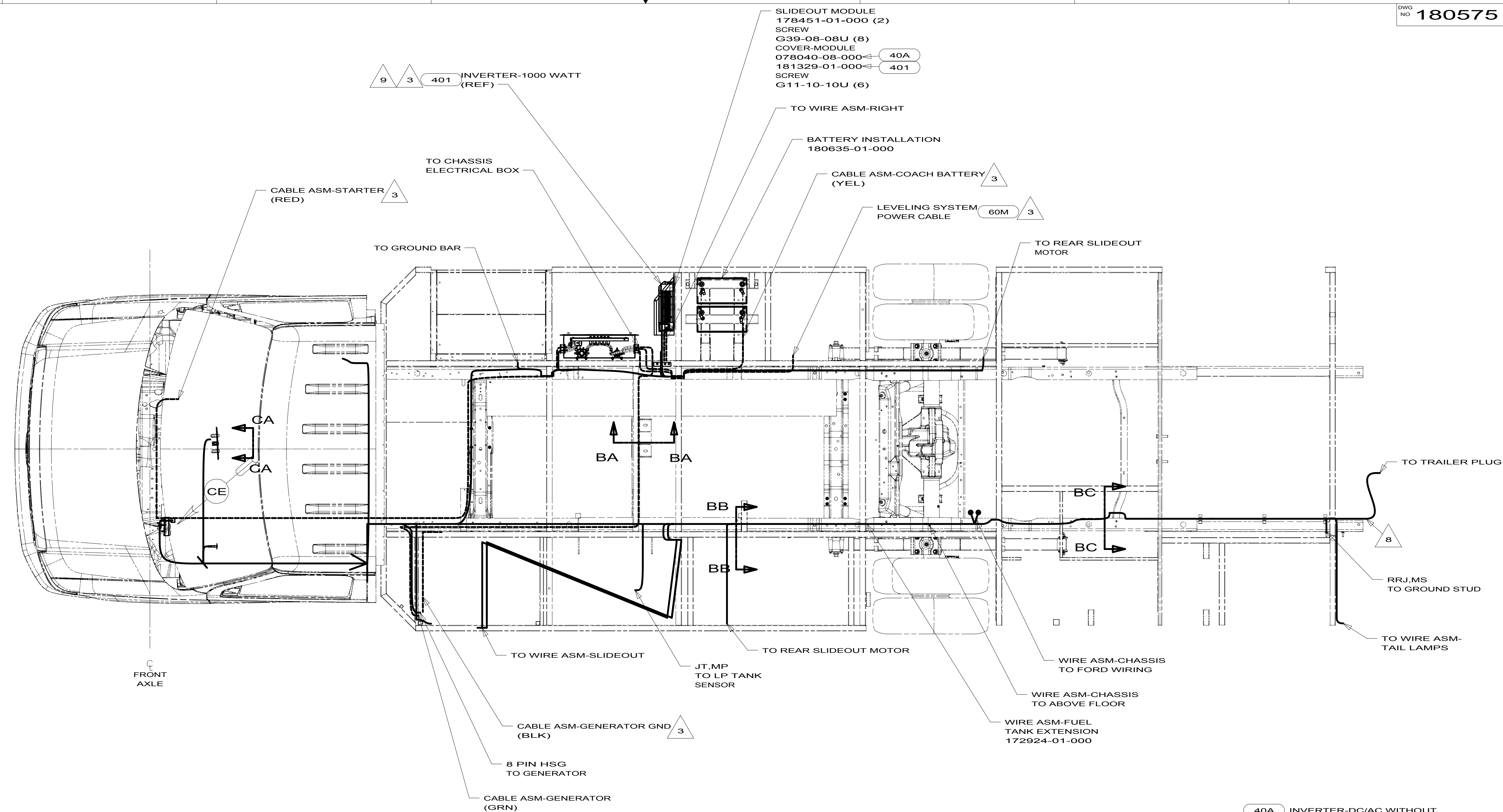
DANGER

Danger of electrical shock, burns or death. Always remove all power sources before attempting any repair, service or diagnostic work. Power can be present from shore power, generator, inverter or battery. All power sources must be disabled and secured before performing any service.



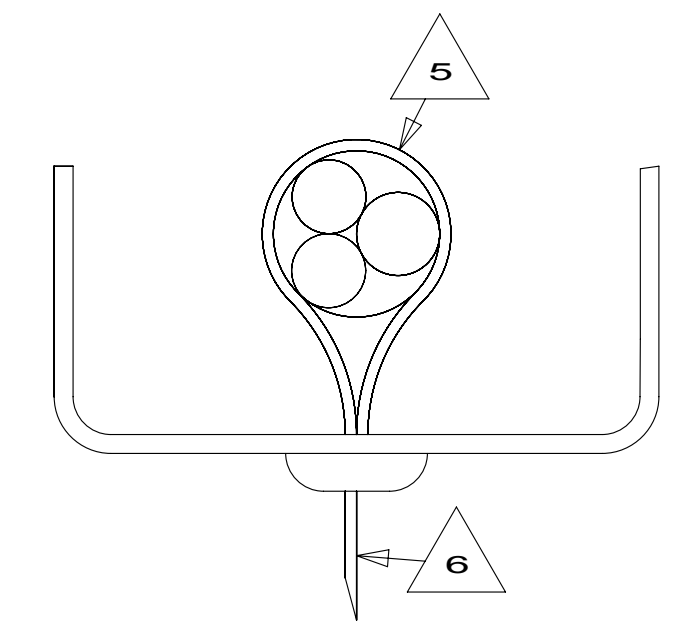
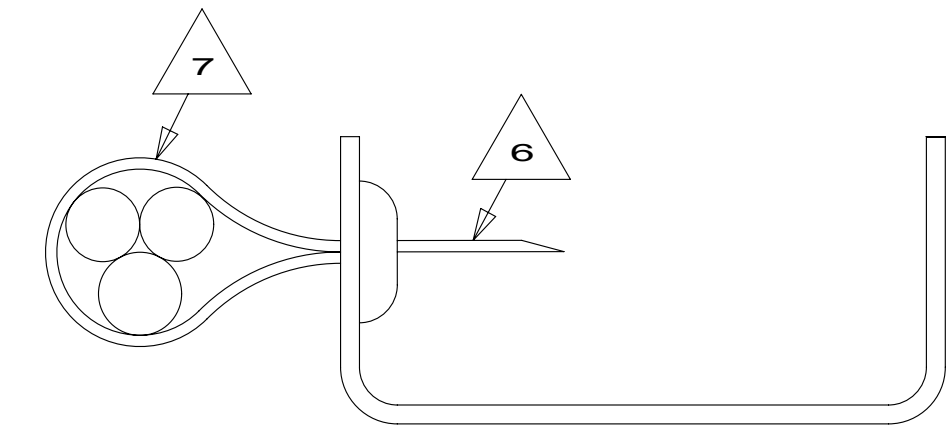
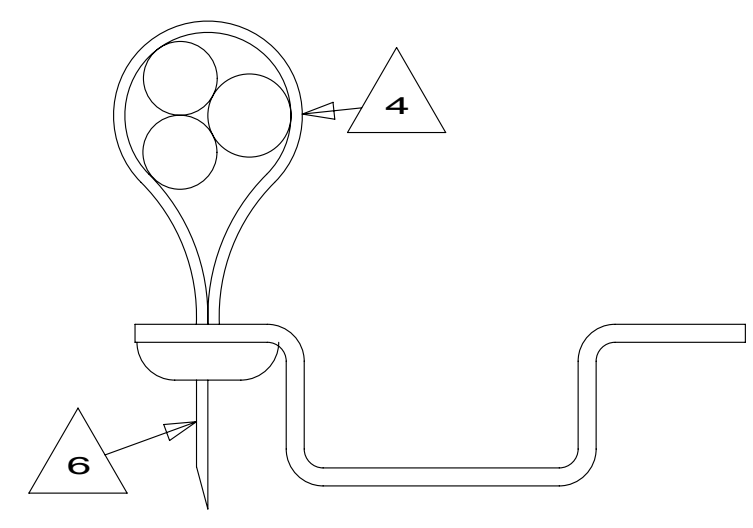
CAUTION

If you lack the skills, tools or equipment to perform diagnostic or repair work leave such work to an authorized Winnebago Industries dealer or other qualified shop.



- 9 SEE LOAD CENTER/ATS ASM FOR ADDITIONAL INFORMATION.
- 8 COIL UP EXCESS MONITOR CABLE HERE.
- 7 WIRES TO BE TIED TO TOP OF RAIL USING EXISTING HOLES.
- 6 CUT OFF EXCESS END OF WIRE TIE.
- 5 WIRES TO BE TIED TO INSIDE OF RAIL USING EXISTING HOLES.
- 4 WIRES TO BE TIED TO CROSS MEMBER USING EXISTING HOLES.
- 3 SEE BATTERY INSTALLATION FOR ADDITIONAL INFORMATION.

- NOTES:
2. SECURE WIRE ASM AND CABLES WITH WIRE TIE 8343-01-000 OR 116673-01-000 AT NO MORE THAN 600MM CENTER ALONG ENTIRE ROUTED PATH.
 1. SECURE CONDUIT 41953, TAB AS REQUIRED, OVER ALL WIRES IN CONTACT WITH SHARP EDGES.

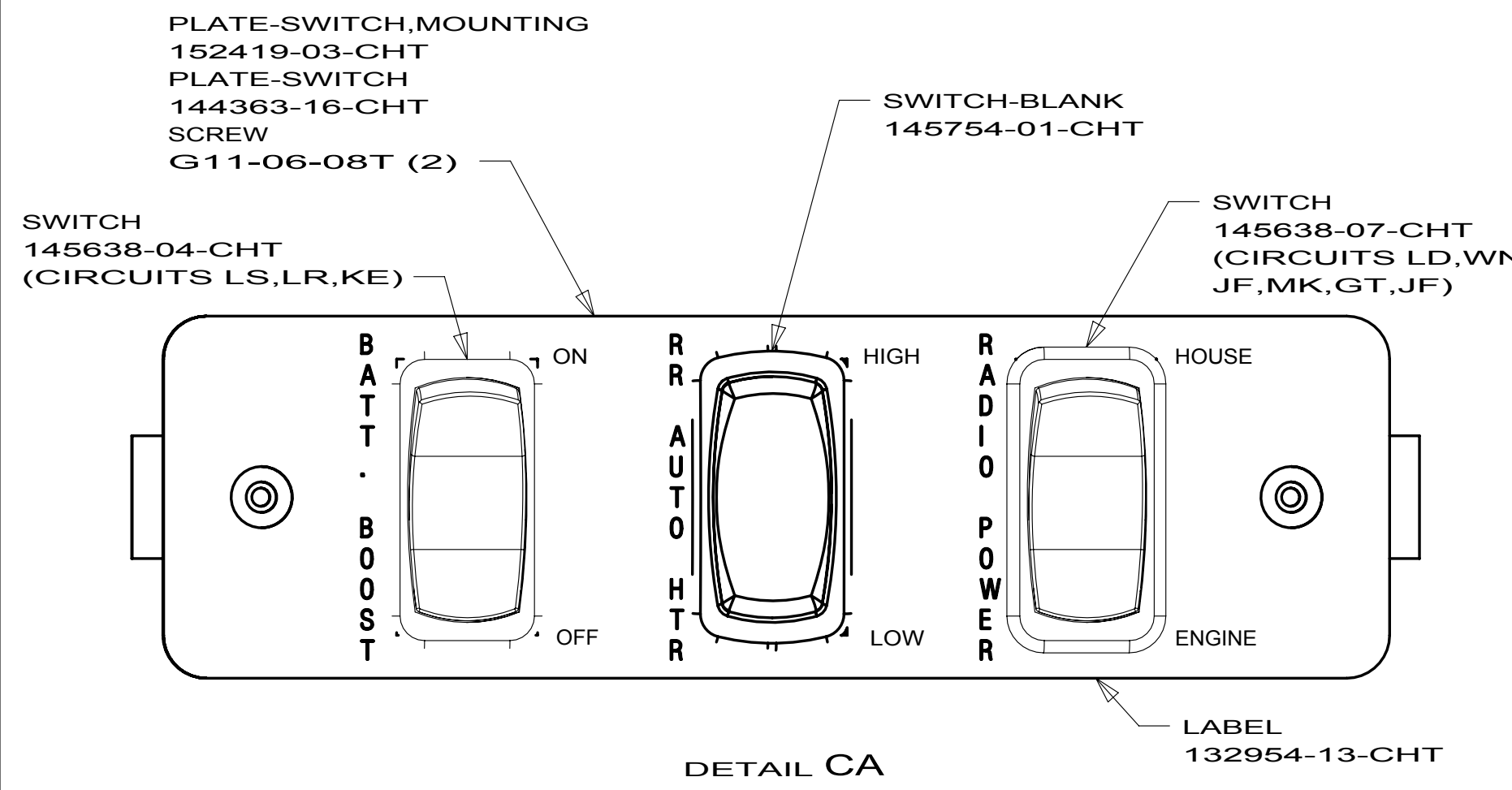


- 40A INVERTER-DC/AC WITHOUT
- 401 INVERTER-DC/AC, 1000 WATT
- 60M HYDRAULIC LEVEL JACKS-AUTO
- 22W BATTERY-SECOND
- 12X BATTERY-ONE
- 16Y FORD CHASSIS - 14,500#_GVWR
- 265 CODES/STANDARDS-CSA/CMVSS
- 1B1 CODES/STANDARDS USA

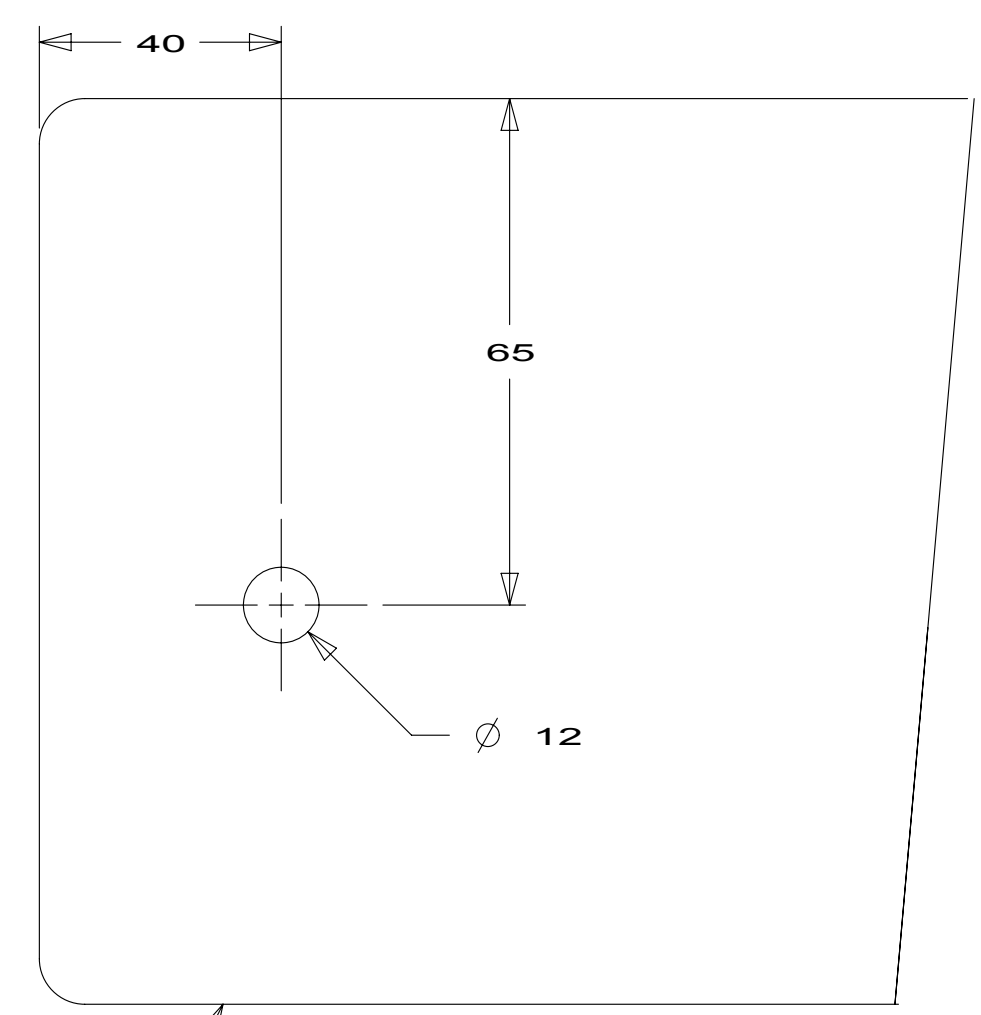
1B1	265	16Y
FIRST USED		
13 727K		
DO NOT SCALE DRAWING		
TITLE: WIRING INSTL-CHASSIS		
SHEET 2	PART NO. 180575	REV

FOR ELECTRICAL TORQUE SPECIFICATIONS SEE DWG NO. 128783-01-000

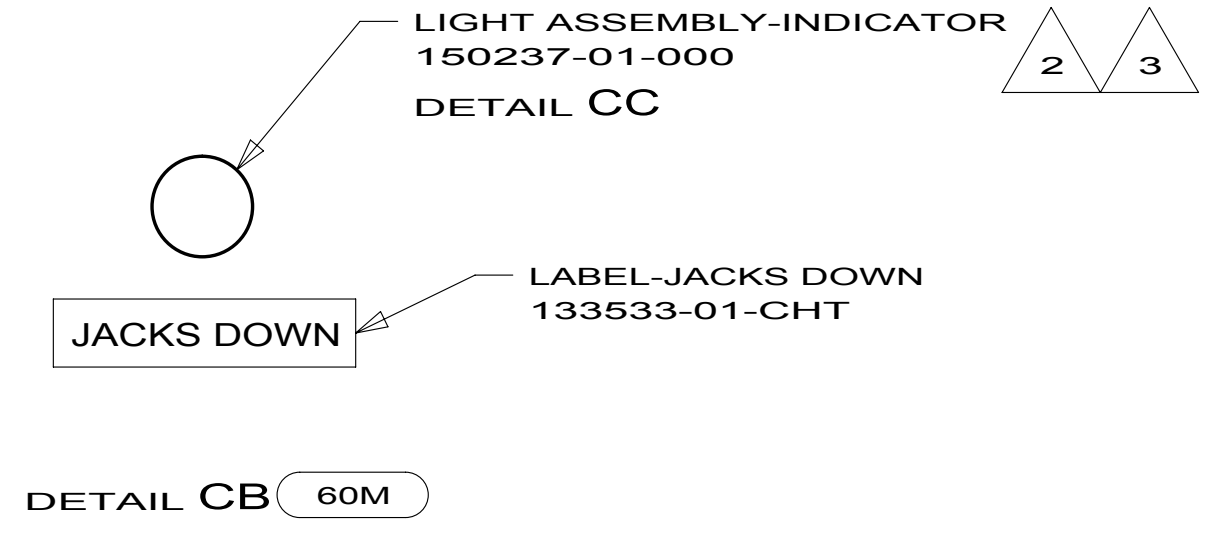
FOR ELECTRICAL CALLOUTS SEE DWG NO. 121339-01-000



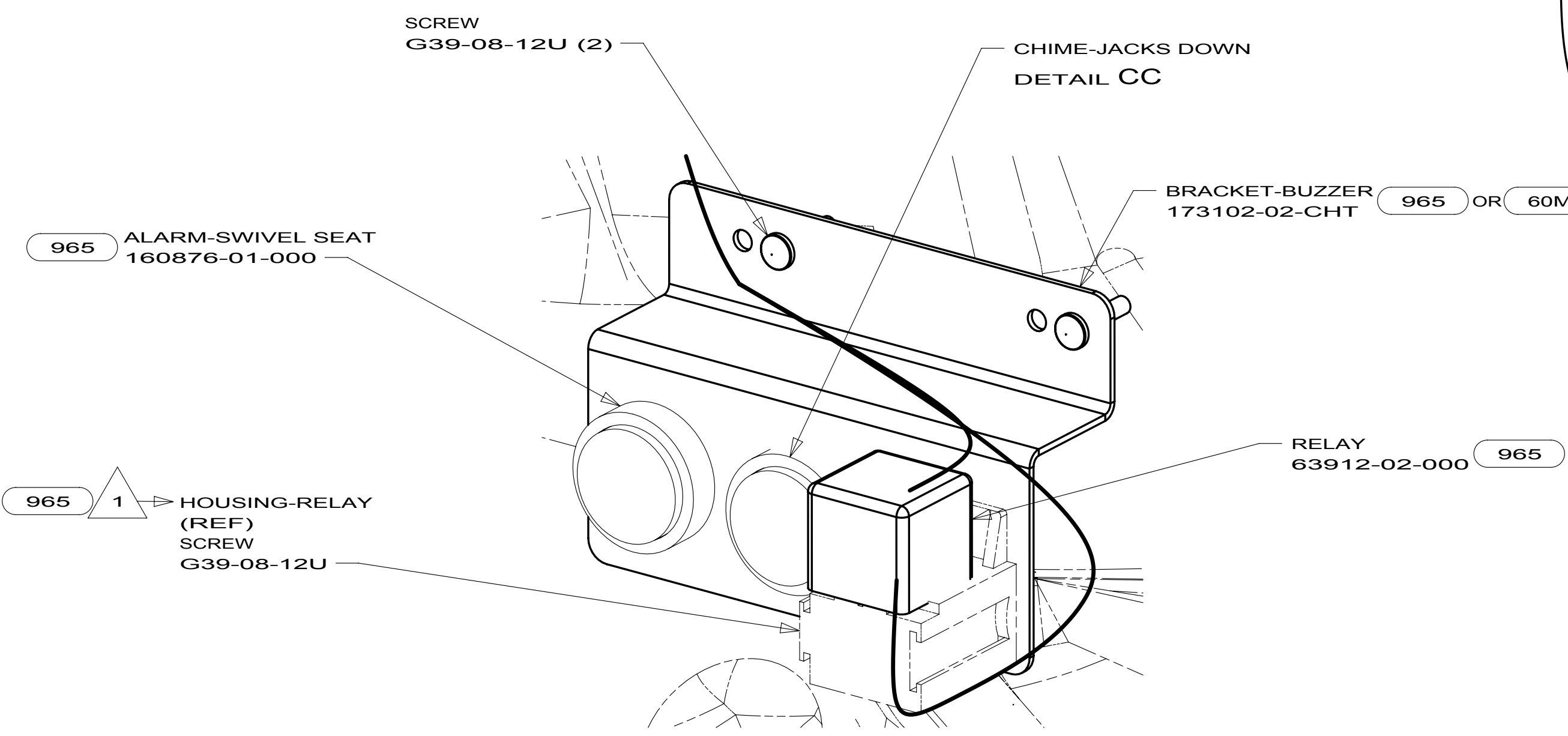
DETAIL CA



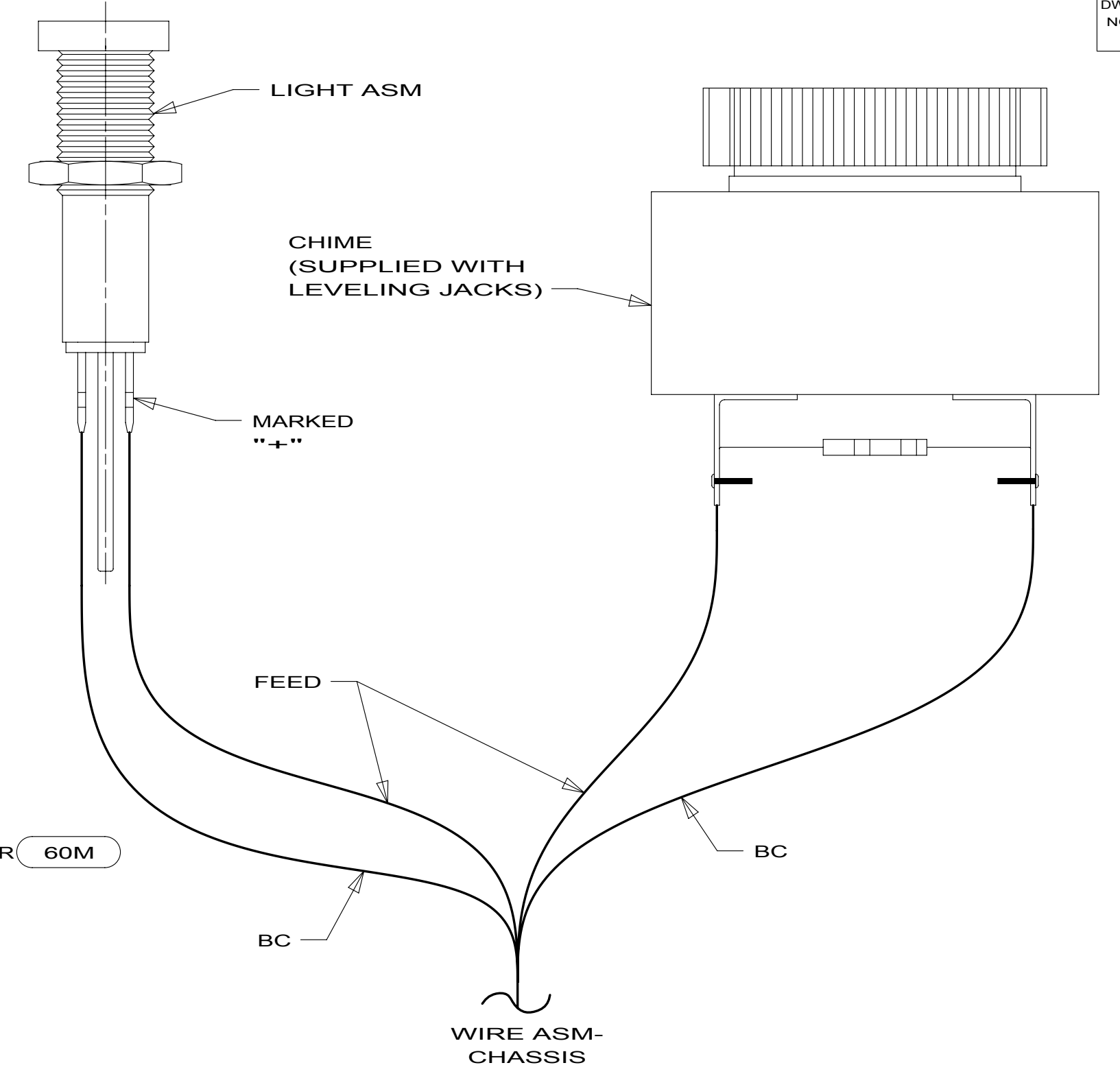
LEFT SIDE OF STEERING COLOUMN
DETAIL CD 60M



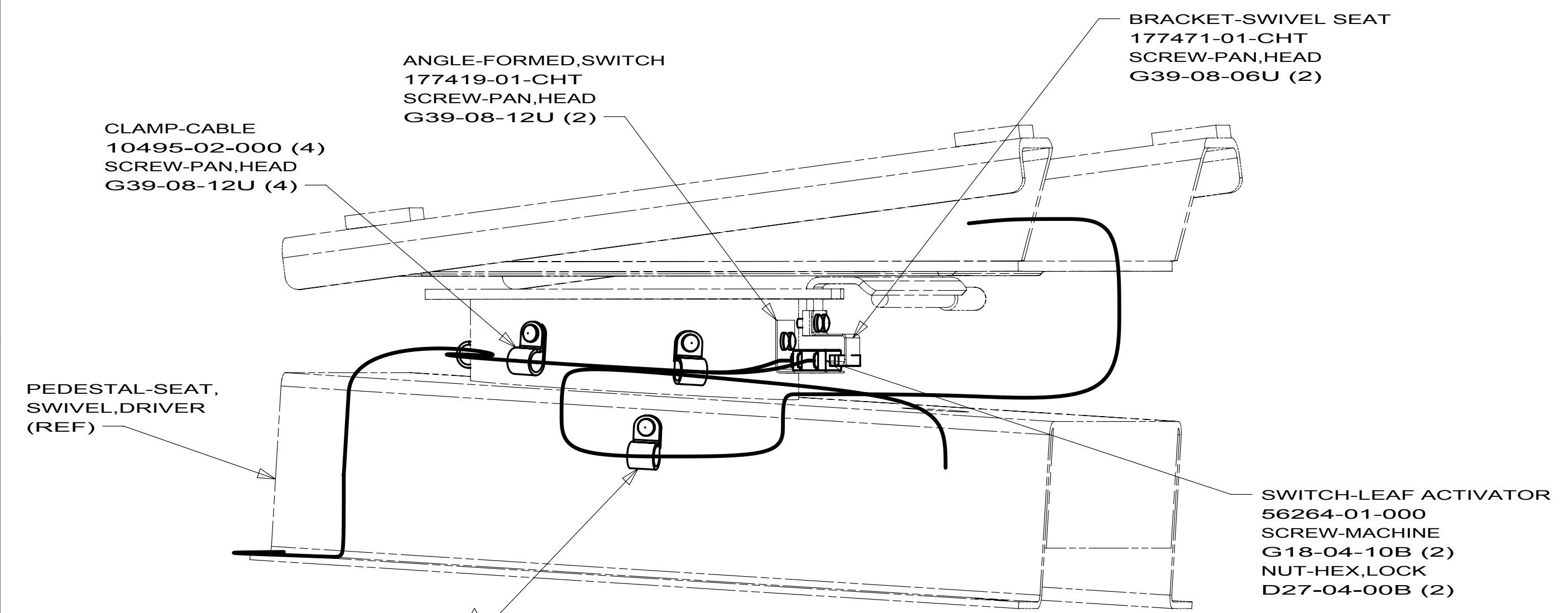
DETAIL CB 60M



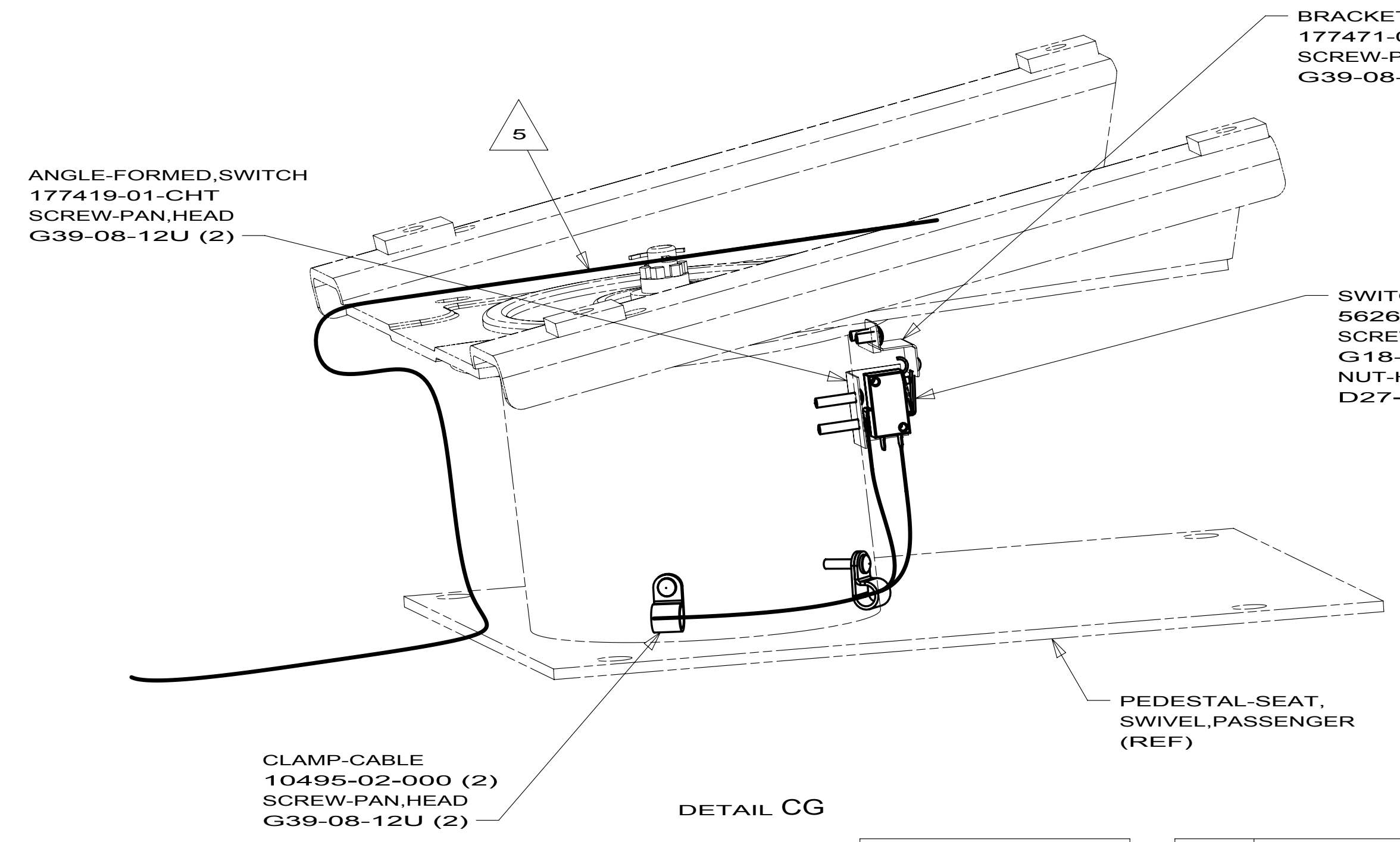
DETAIL CE



DETAIL CC 60M



DETAIL CF



DETAIL CG

- 965 SEAT PEDESTALS-SWIVEL/SLIDE
- 60M HYDRAULIC LEVEL JACKS-AUTO
- 16Y FORD CHASSIS - 14,500#_GVWR
- 265 CODES/STANDARDS-CSA/CMVSS
- 1B1 CODES/STANDARDS USA

1B1 265

- NOTES:
- 3 SUPPLIED WITH LEVELING SYSTEM.
 - 2 FOR HOLE SIZE AND LOCATION SEE DETAIL CD.
 - 1 PART OF WIRE ASM-CHASSIS.
 - 5 ATTACH WIRE TIE 116673-01-000 TO FORD SEAT WIRING.
 - 4 INSTALL CLAMP FOR FORD SEAT WIRING.

FOR ELECTRICAL TORQUE SPECIFICATIONS SEE DWG NO. 128783-01-000

FOR ELECTRICAL CALLOUTS SEE DWG NO. 121339-01-000

FIRST USED
13 727K

DO NOT SCALE DRAWING

TITLE: **WIRING INSTL-CHASSIS**

SHEET 3 PART NO. **180575** REV