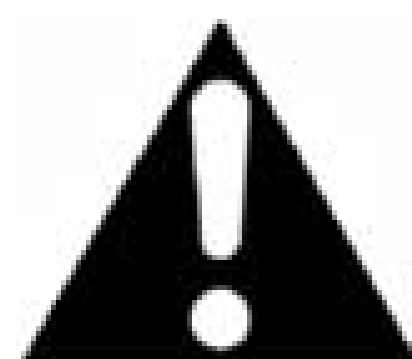




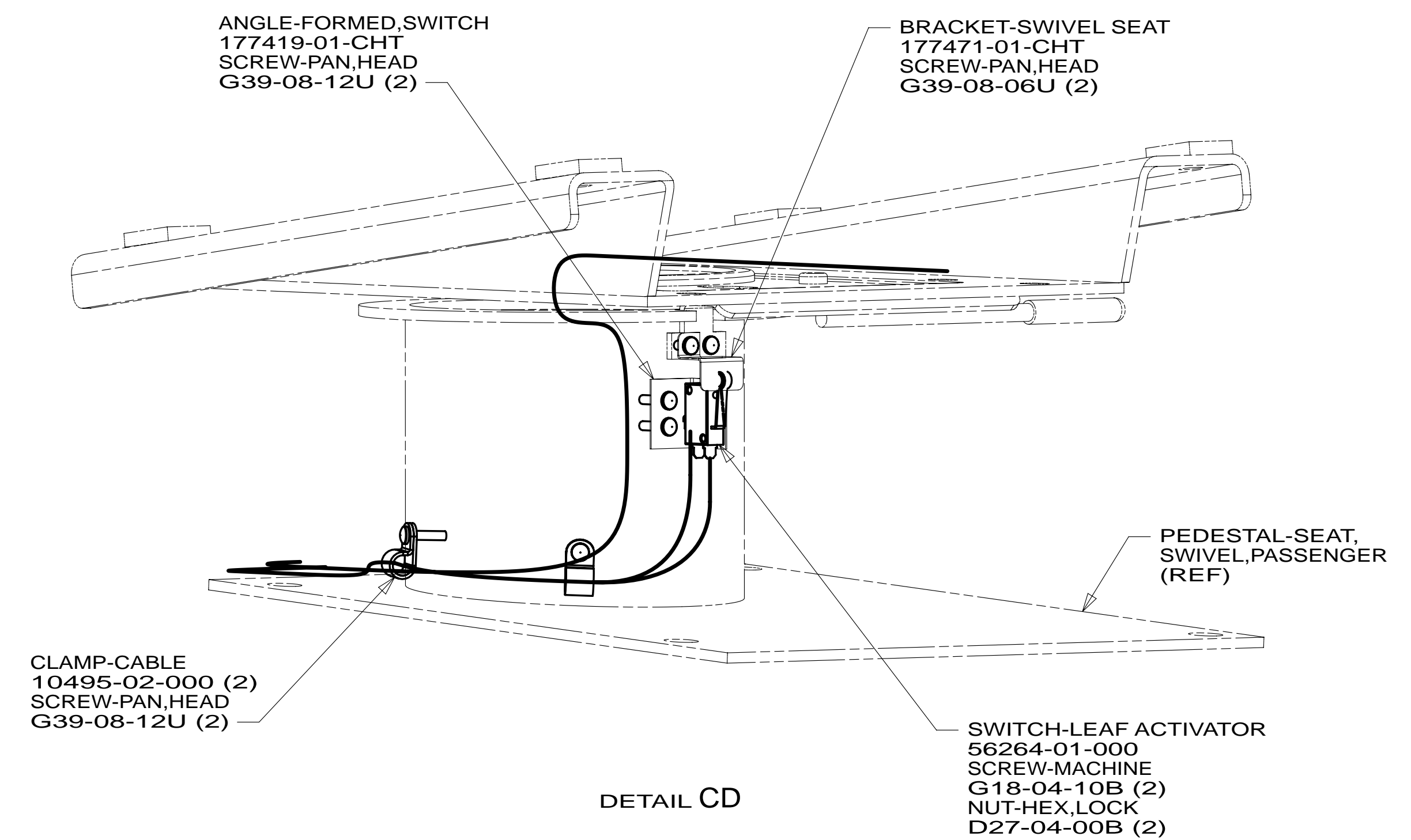
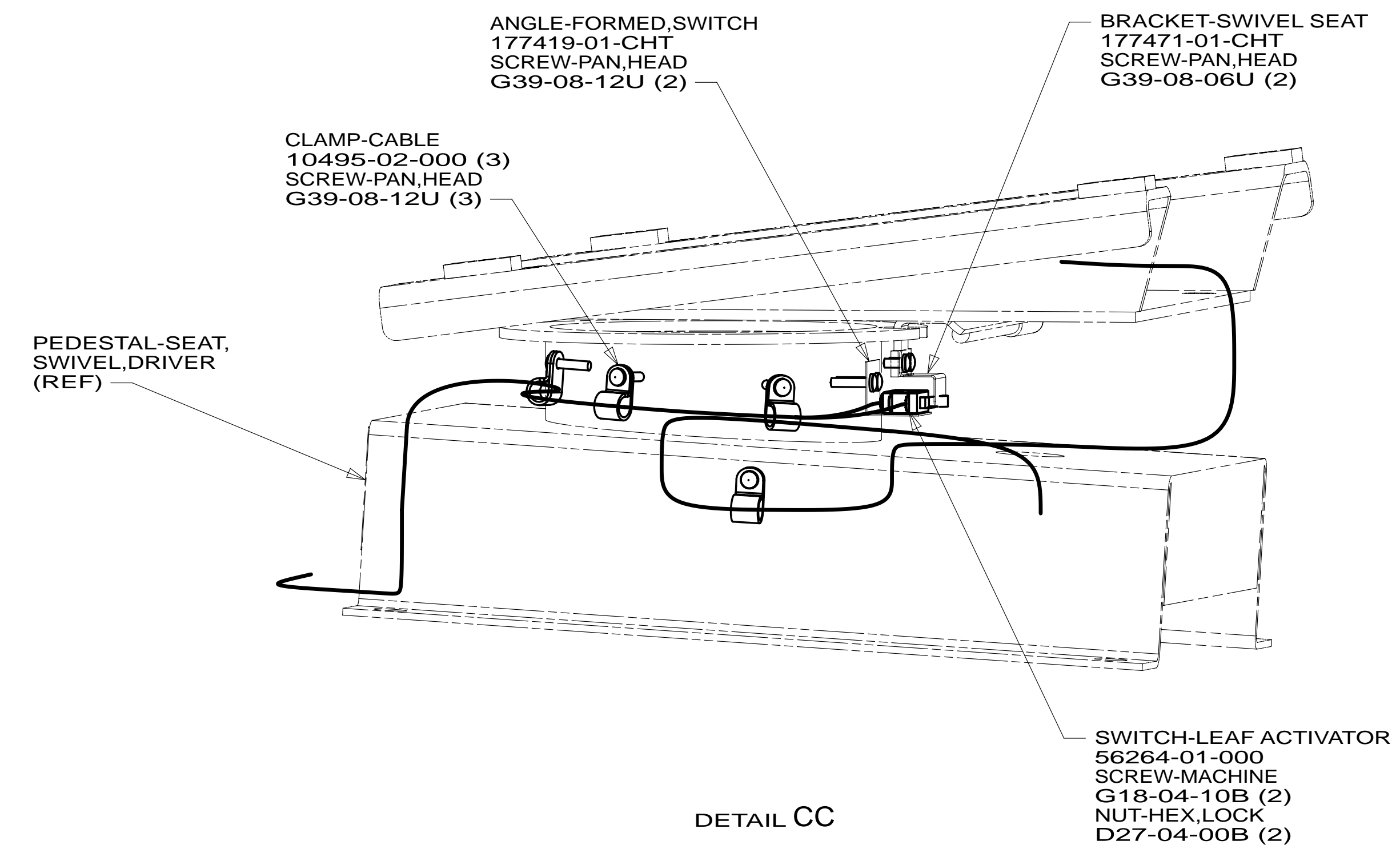
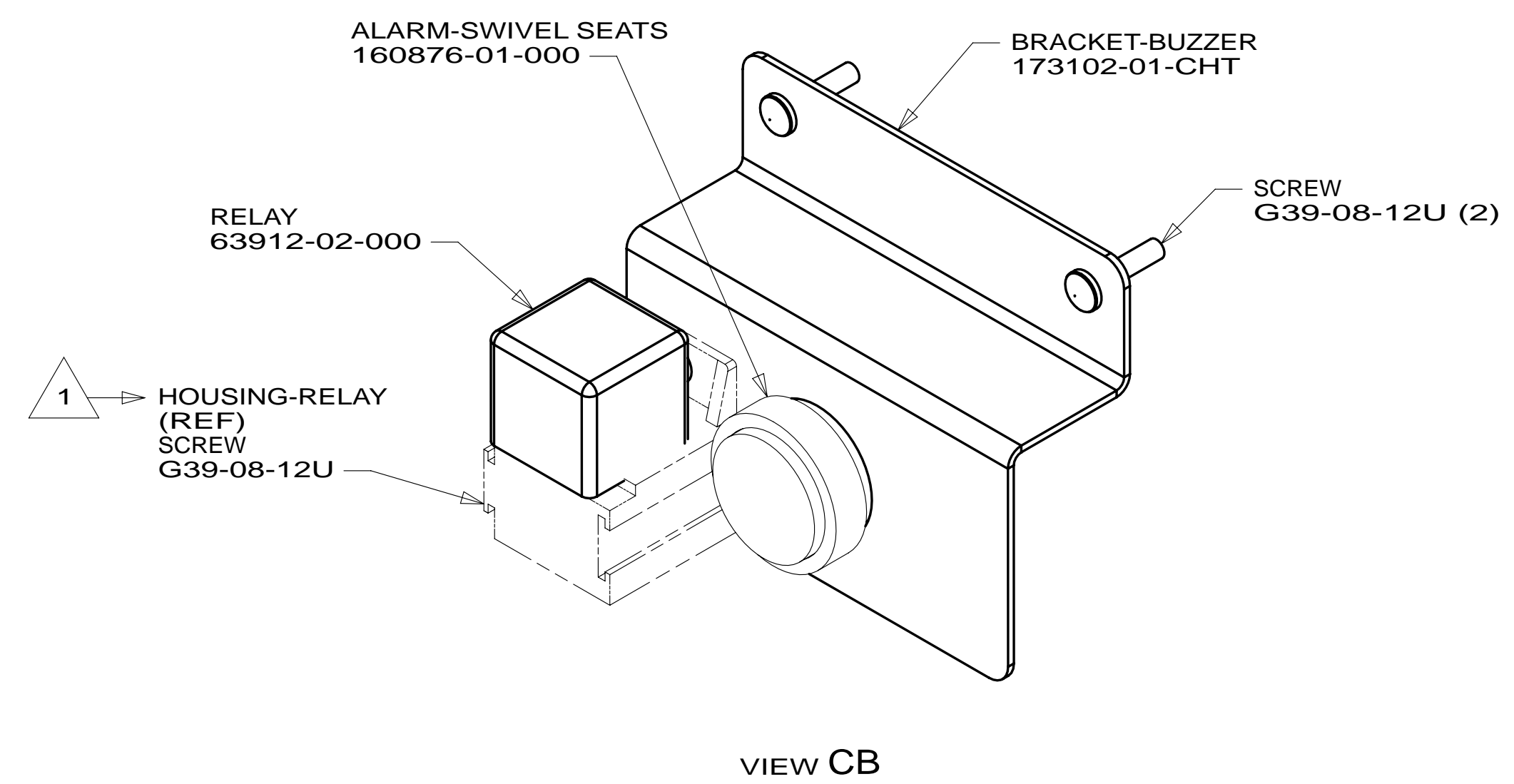
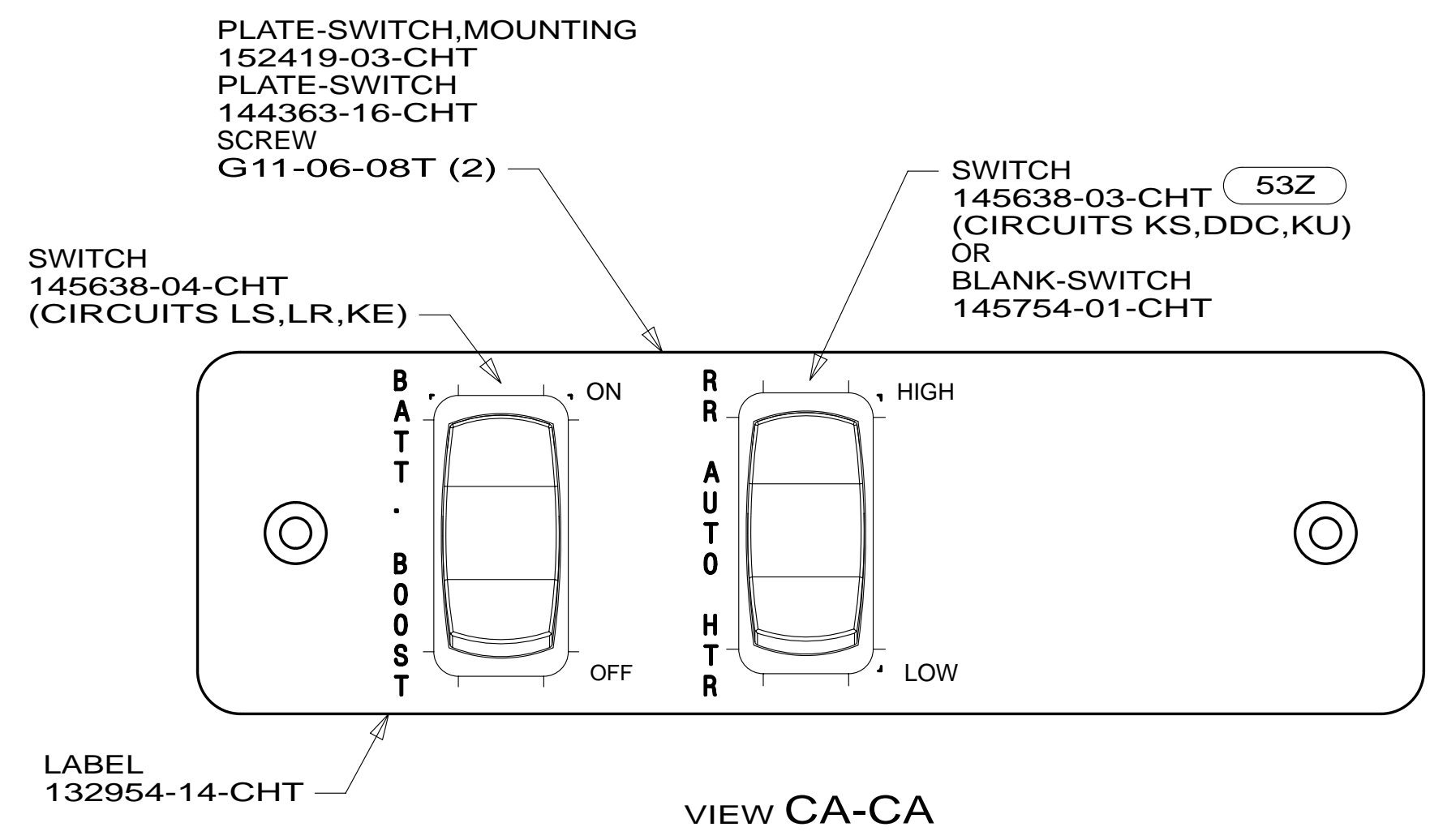
DANGER

Danger of electrical shock, burns or death. Always remove all power sources before attempting any repair, service or diagnostic work. Power can be present from shore power, generator, inverter or battery. All power sources must be disabled and secured before performing any service.



CAUTION

If you lack the skills, tools or equipment to perform diagnostic or repair work leave such work to an authorized Winnebago Industries dealer or other qualified shop.



1 PART OF WIRE ASM-CHASSIS.

FOR ELECTRICAL
TORQUE
SPECIFICATIONS
SEE DWG NO.
128783-01-000

X-X
FOR
ELECTRICAL
CALLOUTS
SEE DWG NO.
121339-01-000

- 53Z WTR HTR-6GAL/110V/LP/MTR/AUTO
- 16Y FORD CHASSIS - 14,500#_GVWR
- 265 CODES/STANDARDS-CSA/CMVSS
- 1B1 CODES/STANDARDS USA

FIRST USED	13 226Q
TITLE:	DO NOT SCALE DRAWING
SHEET 3	180395
PART NO	180395
REV	
22-Jan-2013	

* 180395