



**DANGER**

**Danger of electrical shock, burns or death.** Always remove all power sources before attempting any repair, service or diagnostic work. Power can be present from shore power, generator, inverter or battery. All power sources must be disabled and secured before performing any service.



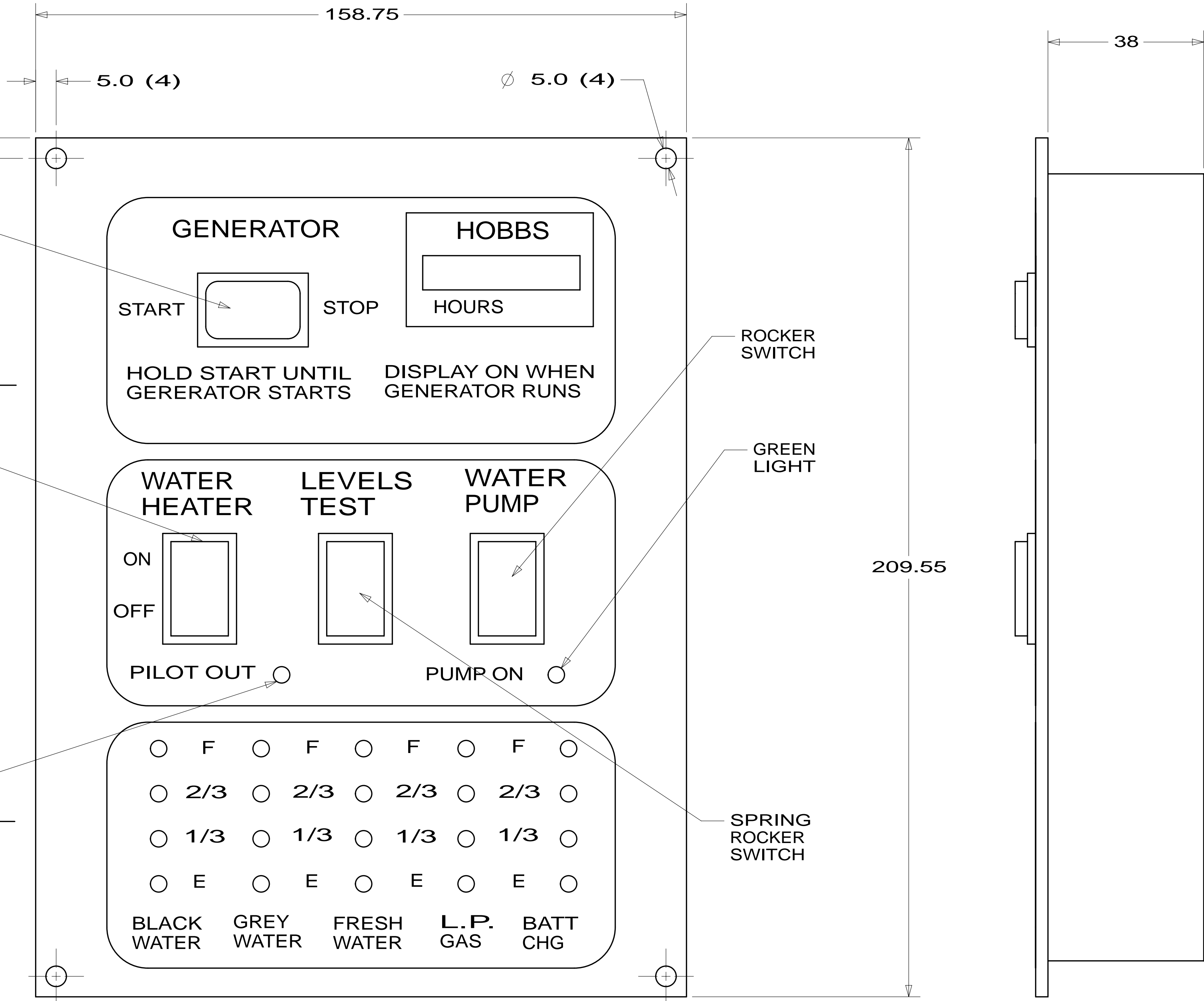
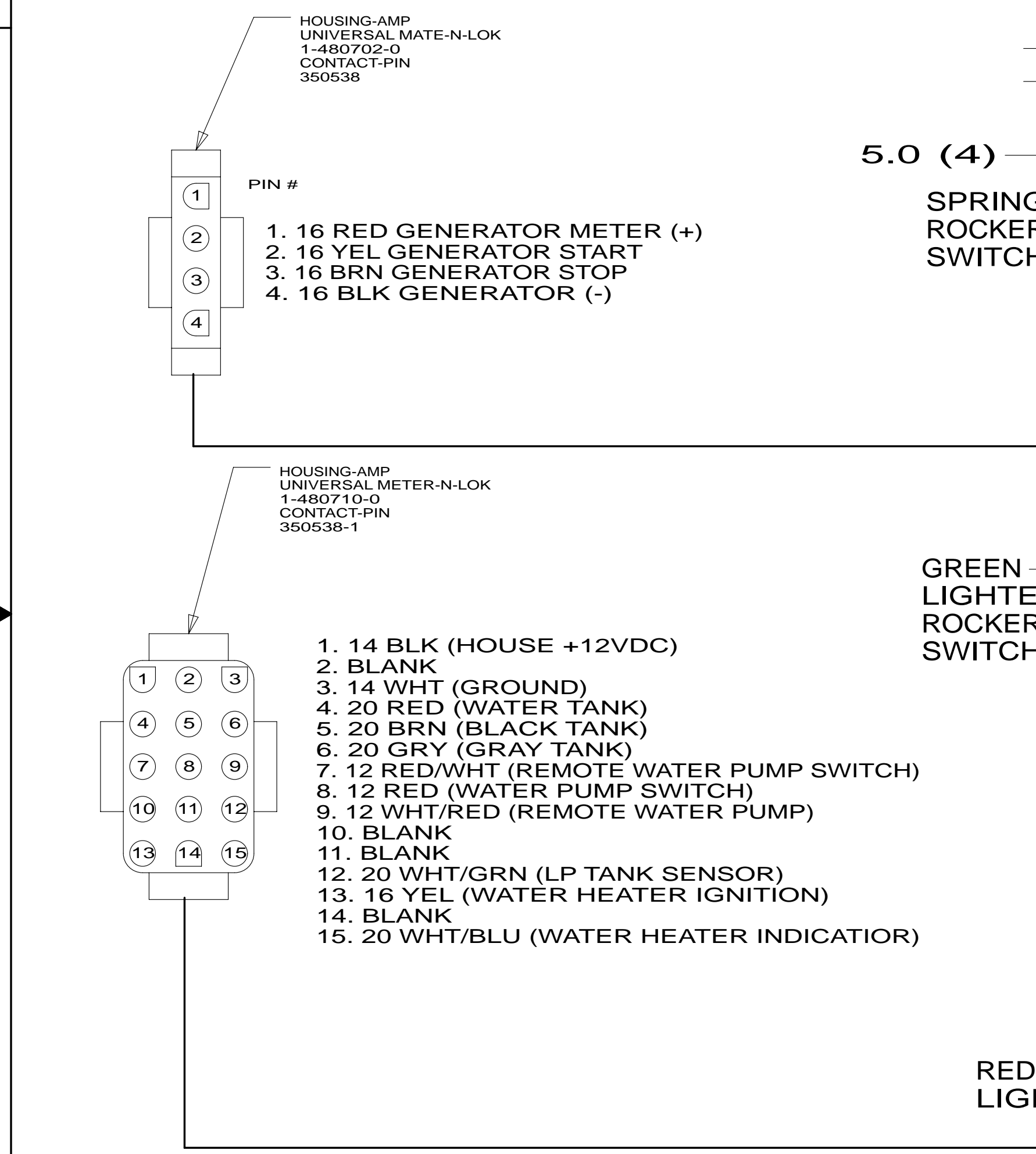
**CAUTION**

If you lack the skills, tools or equipment to perform diagnostic or repair work leave such work to an authorized Winnebago Industries dealer or other qualified shop.

DWG NO		SHEET	WEIGHT(LBS.)
134940-01	W/GEN	1	0.89
134940-02	W/O GEN	2	0.89
134940-03	SWITCH,METER,HARNESS	---	0.89
134940-04	W/G SOLAR	3	0.89
134940-05	W/GEN SWIT	4	0.89
134940-06	W/GEN/SEN	5,6	0.89
134940-07	W/O GEN/SE	7,8	0.89
134940-08	W/G SOL/SE	9,10	0.89
134940-09	W/G SW/SEN	11,12	0.89

DWG NO		SHEET	WEIGHT(LBS.)
134940-10	W/O GEN/SEN	13,14	0.67

RELEASE	REV DATE	DWG NO	134940
REV ZONE	REVISION RECORD	DATE	DFT-ORIG

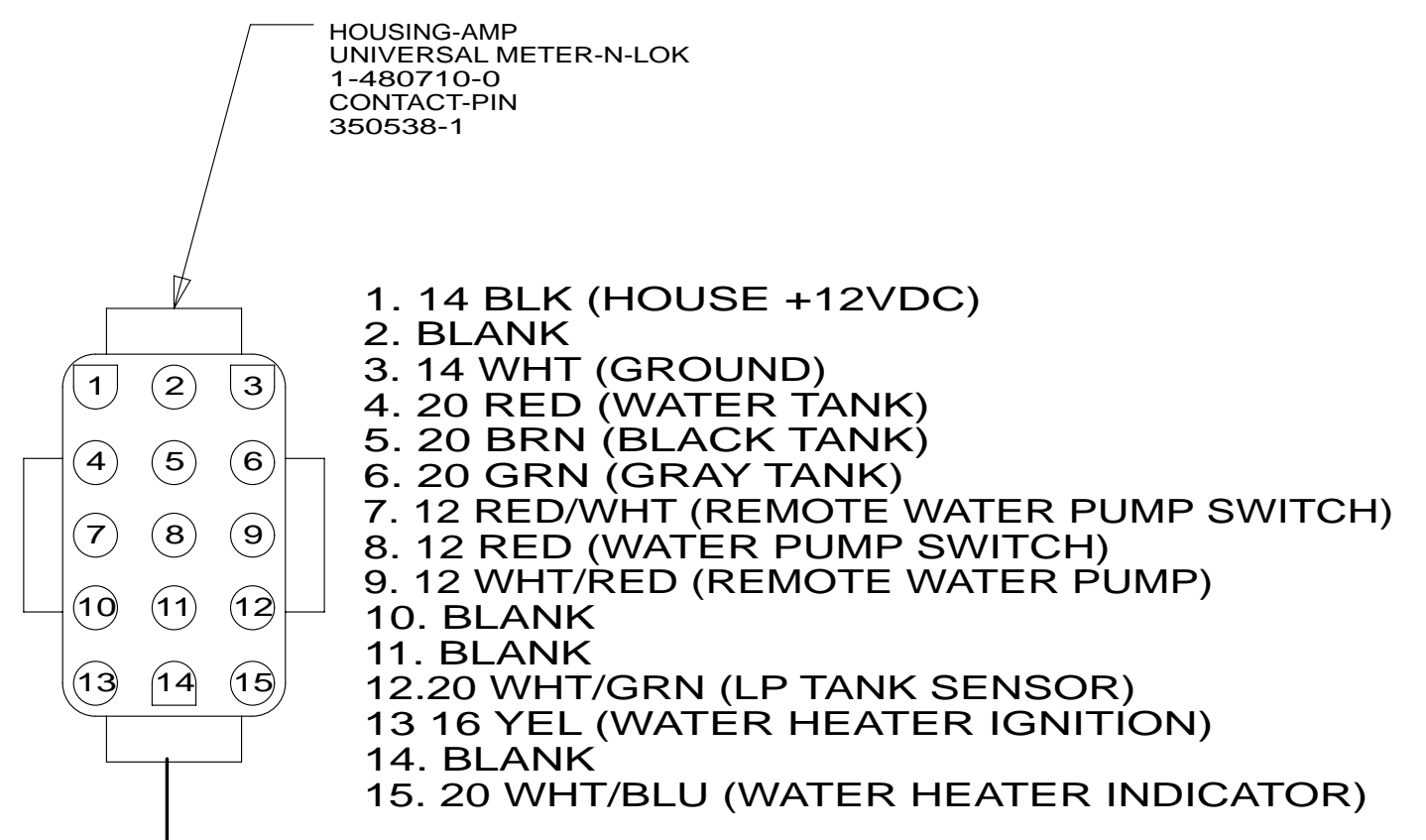
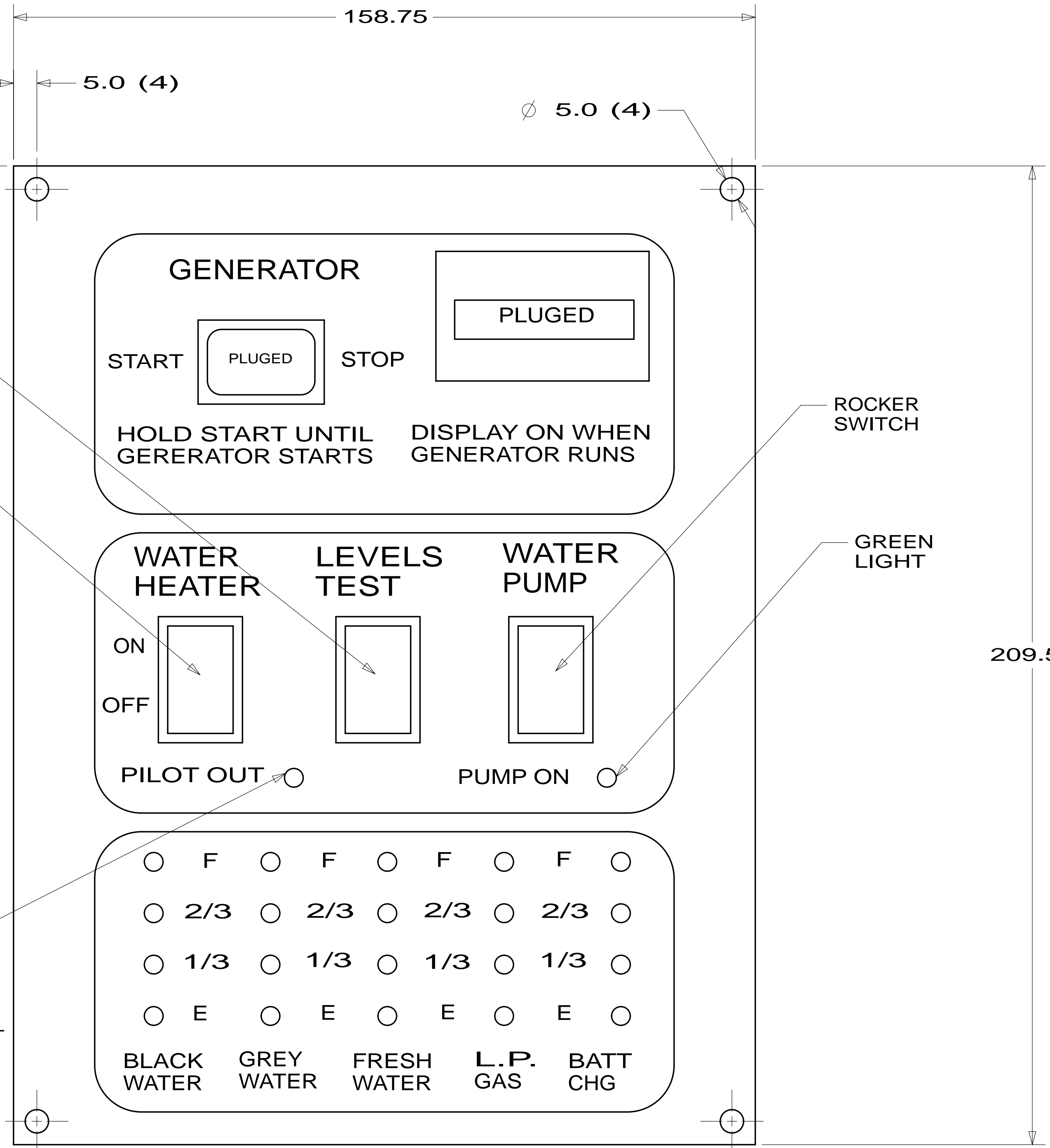


- NOTES:
1. SUGGESTED VENDOR: VENTLINE.
  2. BLACK PANEL WITH WHTIE GRAPHICS.
  3. LETTERS ON MAIN HEADING TO BE 5MM HIGH.
  4. CUTOUT 130 X 192.
  5. SWITCH RATING SHALL BE EMBOSSED ON THE SIDE OF THE 12V SWTICHES.

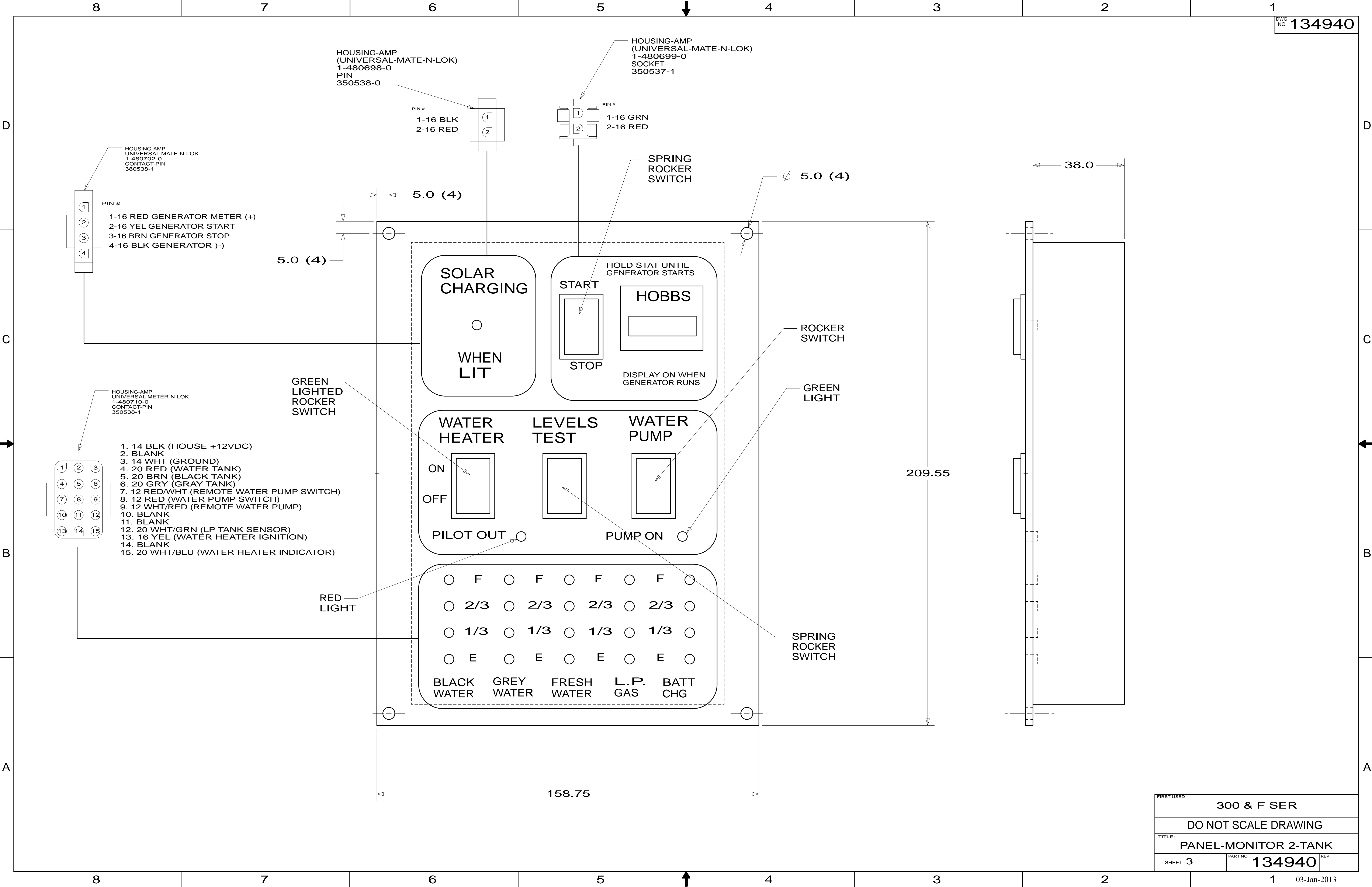
**WINNEBAGO** COPYRIGHT 2013 WINNEBAGO INDUSTRIES, INC.

DFT-ORIG	ORIG. DATE
CHKR	ALL DIMENSIONS ARE IN MILLIMETERS
P.E.	
M.E.	FIRST USED
DSNR	300 & F SER
UNSPECIFIED TOLERANCES ARE:	
WHOLE DIM (X)	: 1
ONE-PLACE (X.X)	: 1.5
TWO-PLACE (X.XX)	: 0.50
ANGLE	: 1°
THIRD ANGLE PROJECTION	
DO NOT SCALE DRAWING	REFER TO ES0018 FOR FASTENER TIGHTENING GUIDELINES
TITLE: PANEL-MONITOR 2-TANK	
SHEET 1 OF 14	PART NO 134940 REV
REF:	1 03-Jan-2013

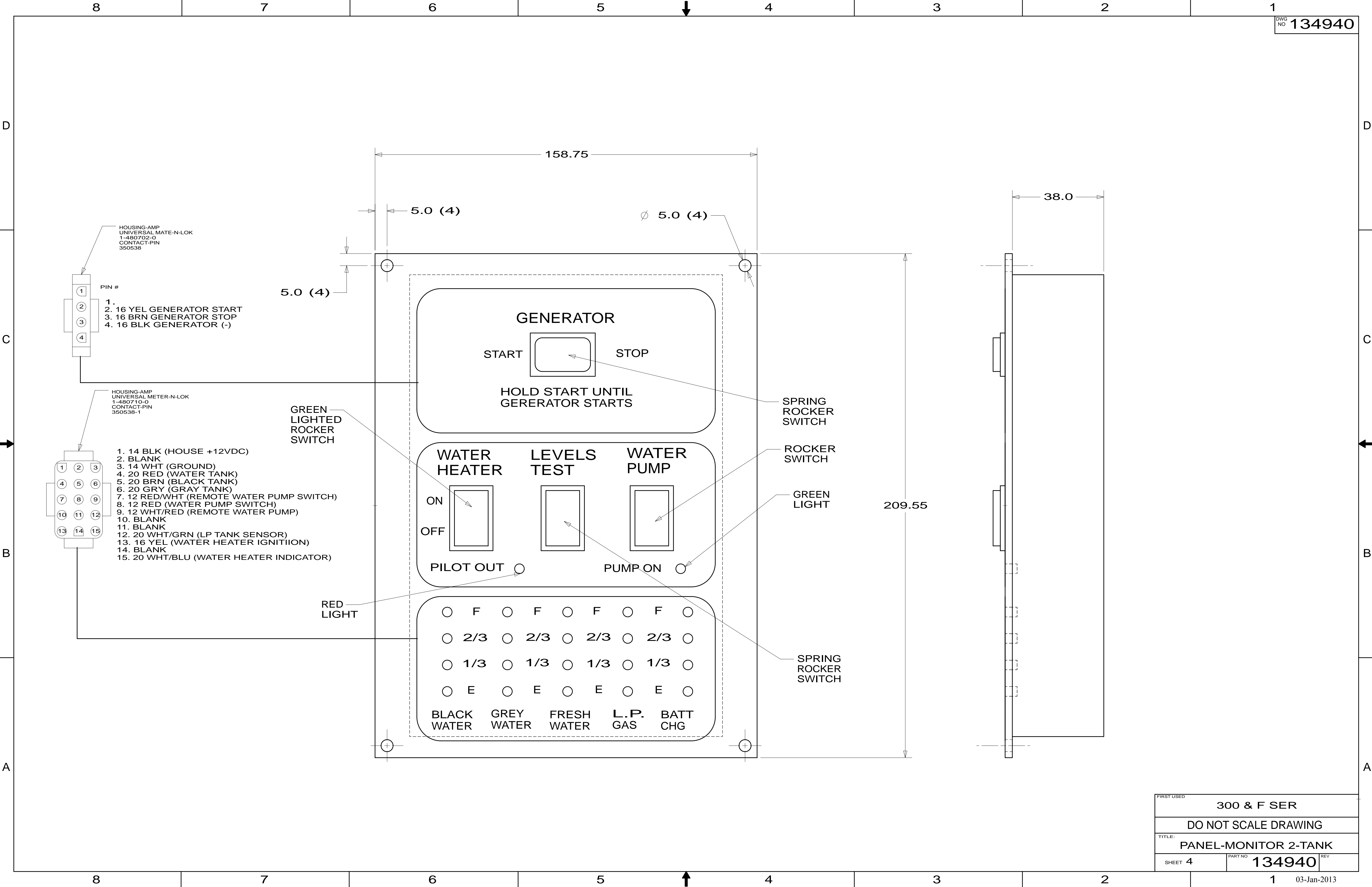
**SEE CHART**  
FOR COLOR VARIATIONS OF THIS PART



FIRST USED		
300 & F SER		
DO NOT SCALE DRAWING		
TITLE: PANEL-MONITOR 2-TANK		
SHEET 2	PART NO	REV
	134940	
1 03-Jan-2013		



FIRST USED	300 & F SER		
TITLE:	DO NOT SCALE DRAWING		
TITLE:	PANEL-MONITOR 2-TANK		
SHEET 3	PART NO	134940	REV
	1		03-Jan-2013



HOUSING-AMP  
UNIVERSAL MATE-N-LOK  
1-480702-0  
CONTACT-PIN  
350538

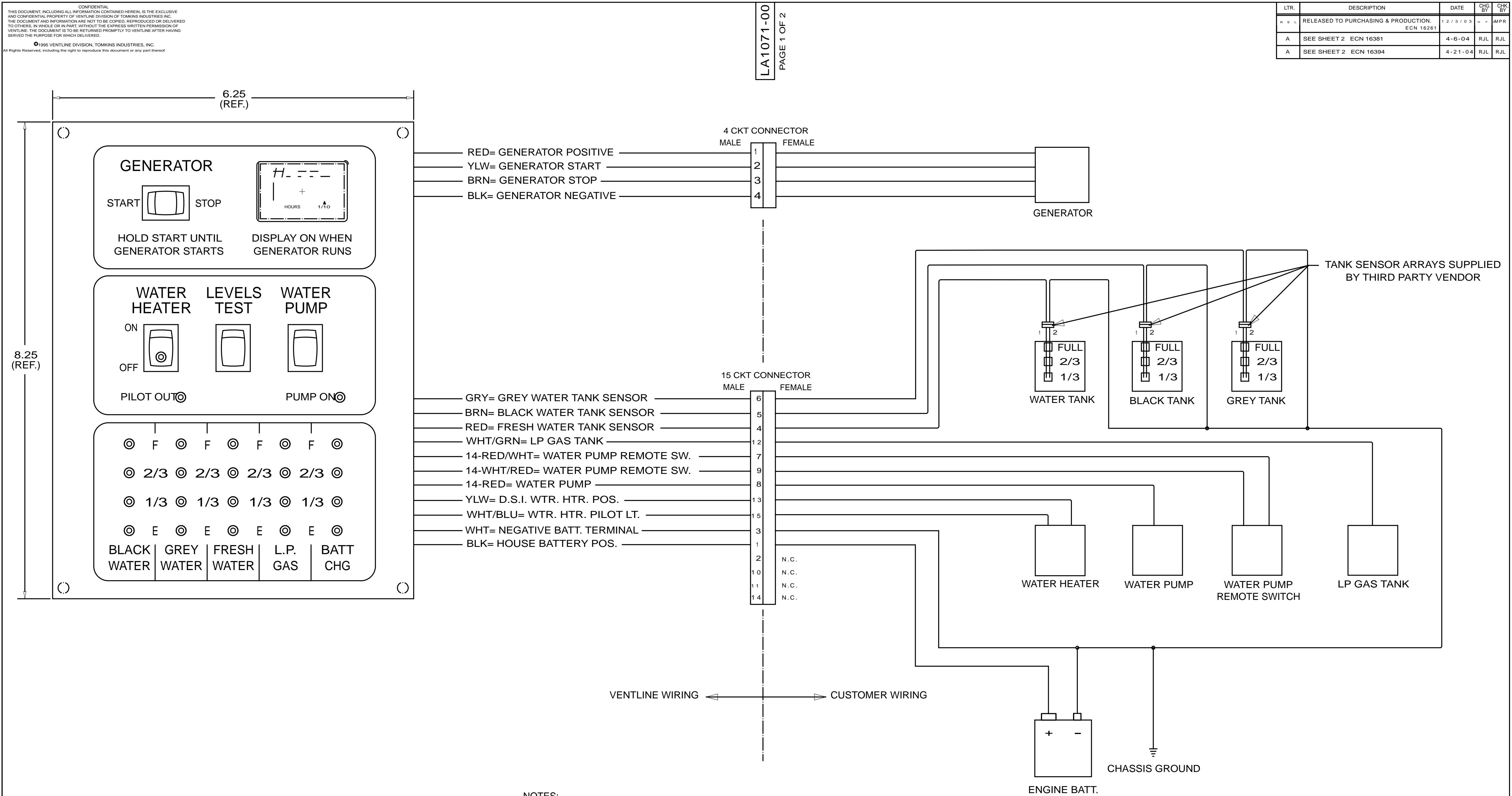
- PIN #
- 1. 16 YEL GENERATOR START
  - 2. 16 BRN GENERATOR STOP
  - 3. 16 BLK GENERATOR (-)
  - 4. 16 BLK GENERATOR (-)

HOUSING-AMP  
UNIVERSAL METER-N-LOK  
1-480710-0  
CONTACT-PIN  
350538-1

- 1. 14 BLK (HOUSE +12VDC)
- 2. BLANK
- 3. 14 WHT (GROUND)
- 4. 20 RED (WATER TANK)
- 5. 20 BRN (BLACK TANK)
- 6. 20 GRN (GRAY TANK)
- 7. 12 RED/WHT (REMOTE WATER PUMP SWITCH)
- 8. 12 RED (WATER PUMP SWITCH)
- 9. 12 WHT/RED (REMOTE WATER PUMP)
- 10. BLANK
- 11. BLANK
- 12. 20 WHT/GRN (LP TANK SENSOR)
- 13. 16 YEL (WATER HEATER IGNITION)
- 14. BLANK
- 15. 20 WHT/BLU (WATER HEATER INDICATOR)

FIRST USED		
300 & F SER		
DO NOT SCALE DRAWING		
TITLE: PANEL-MONITOR 2-TANK		
SHEET 4	PART NO 134940	REV
1 03-Jan-2013		

LTR.	DESCRIPTION	DATE	CHK BY	CHK BY
...	RELEASED TO PURCHASING & PRODUCTION. ECN 16261	12/3/03	...	AMPR
A	SEE SHEET 2 ECN 16381	4-6-04	RJL	RJL
A	SEE SHEET 2 ECN 16394	4-21-04	RJL	RJL



- NOTES:
- UNLESS OTHERWISE SPECIFIED ALL WIRE IS 22 AWG.
  - REF. DWG'S:  
 GENERATOR HARNESS= L7751-00  
 INTERNAL & SWITCH HARNESS= L7752-00  
 PCB= L5131-02  
 TEST HARNESS= L7753-00  
 TEST BOX= L8506-00
  - ALL PIGTAILS TO BE SUPPLIED BY CUSTOMER.
  - BEFORE PACKING, SECURE HARNESS WITH VD0169-00 TIE WRAP ON RIGHT SIDE POST.

PART NO.	REQ'D	MATERIAL	DESCRIPTION	DWG SIZE

DRAWN DATE: 12/3/03 CHECKED DATE: 12/3/03 APPVD DATE:	MATERIAL: SEE BOM PAGE 2 NAME:	PHILIPS IND. INC. VENTLINE DIVISION BRISTOL, INDIANA 46507	SCALE:
---	-----------------------------------	--	--------

ENGLISH (TOLERANCE UNLESS SPECIFIED) 0 PL.: .040 2 PL.: .010 FRACTIONS: 1/64	1 PL.: .020 3 PL.: .005	FUNCTION DRAWING MONITOR PANEL	DWG. NO. PAGE 1 OF 2 L A 1 0 7 1 - 0 0
---	----------------------------	-----------------------------------	---

FIRST USED	05 D SEIRES
TITLE	DO NOT SCALE DRAWING
TITLE	PANEL-MONITOR
SHEET 5	PART NO 134940 REV

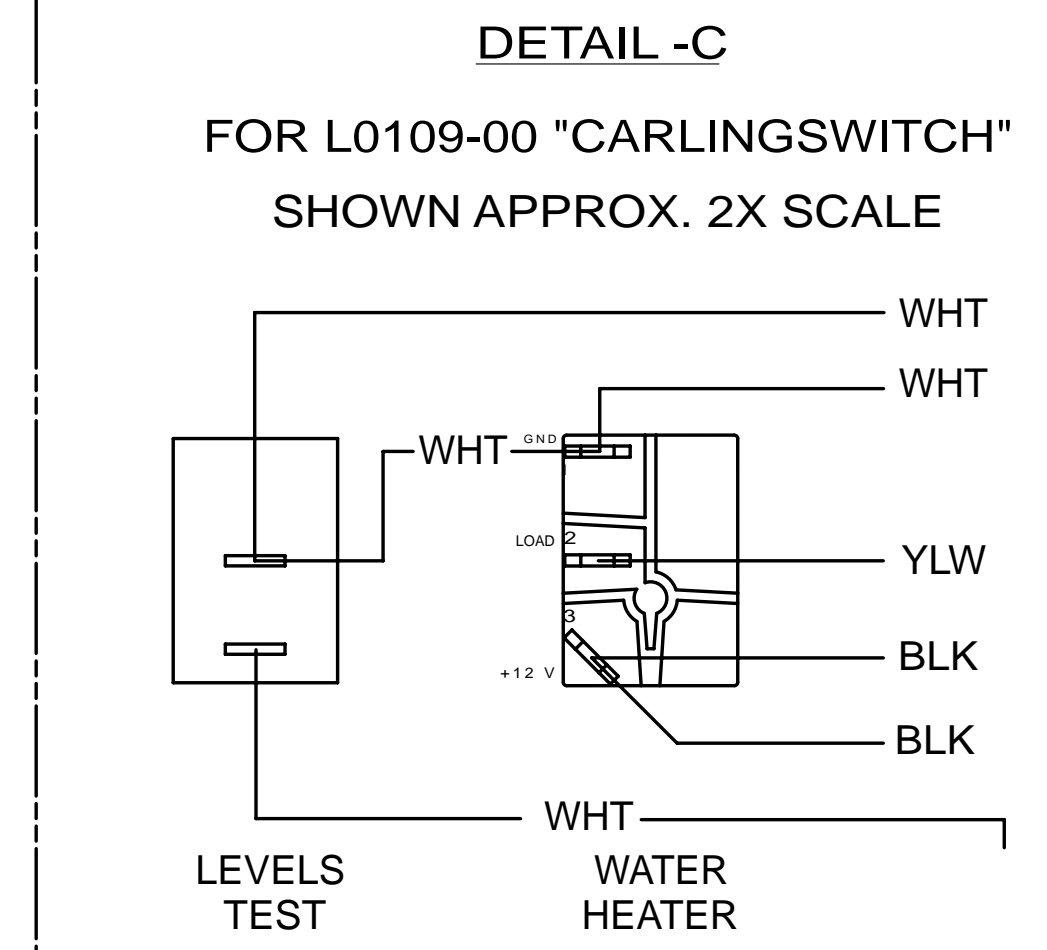
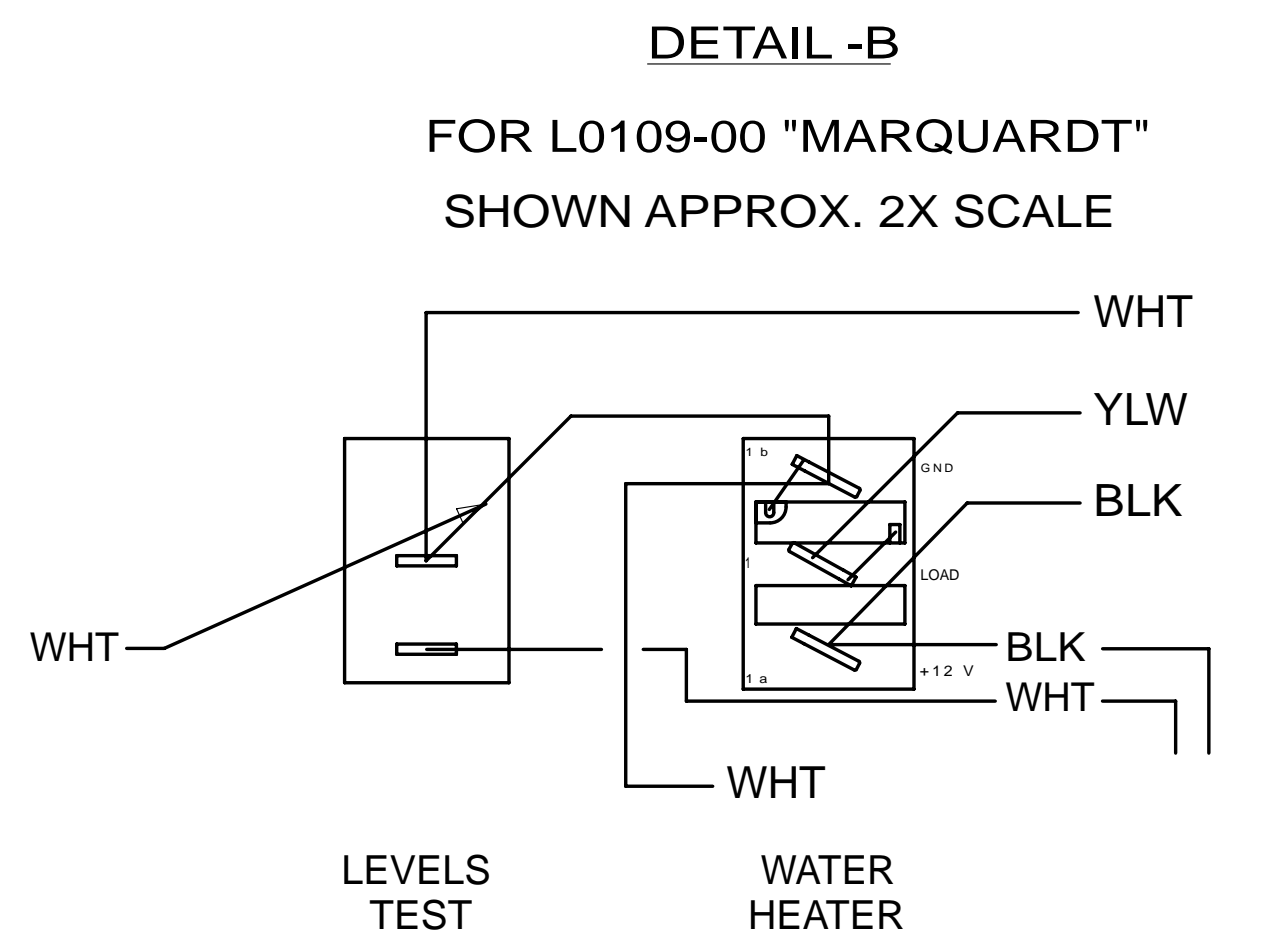
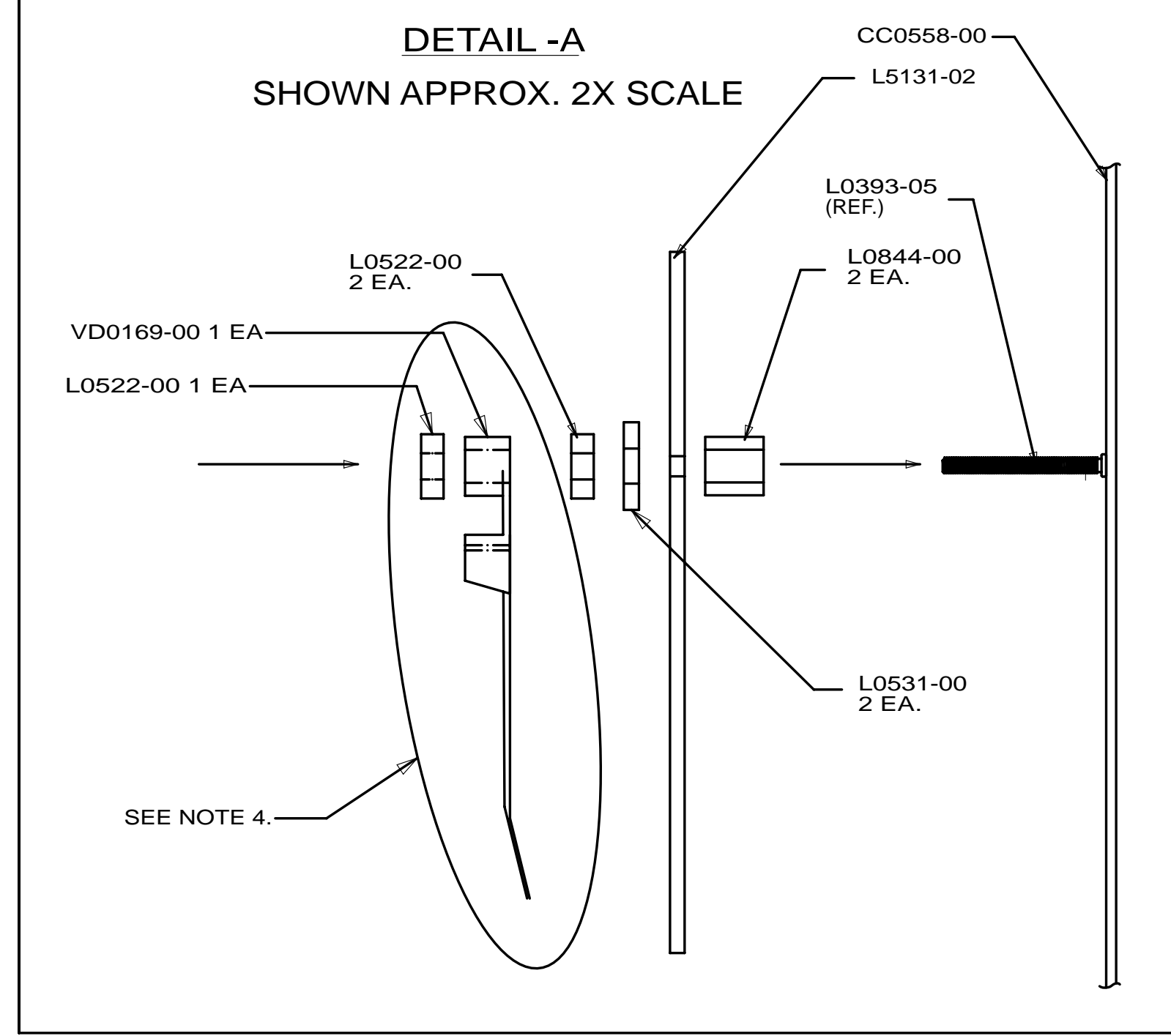
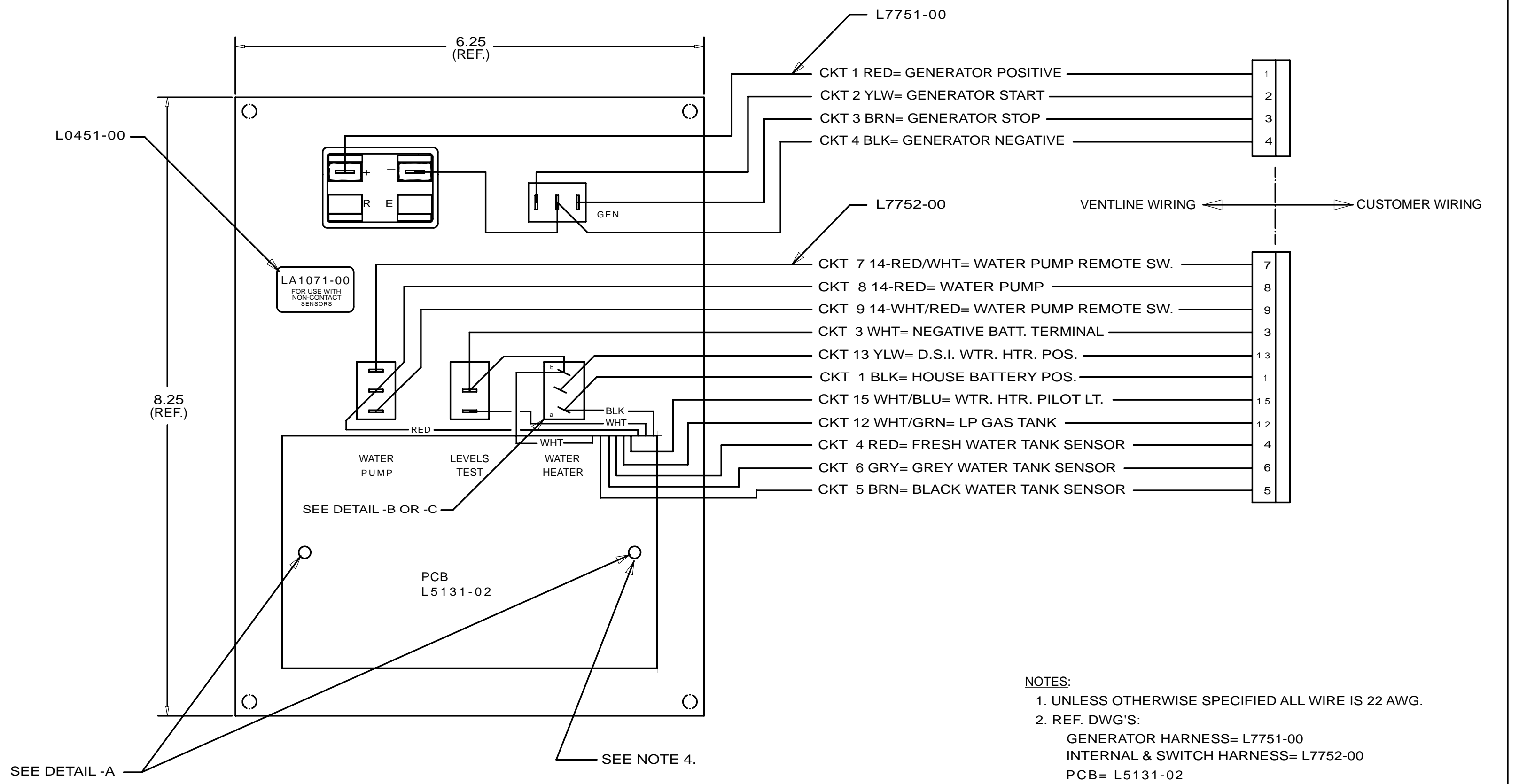
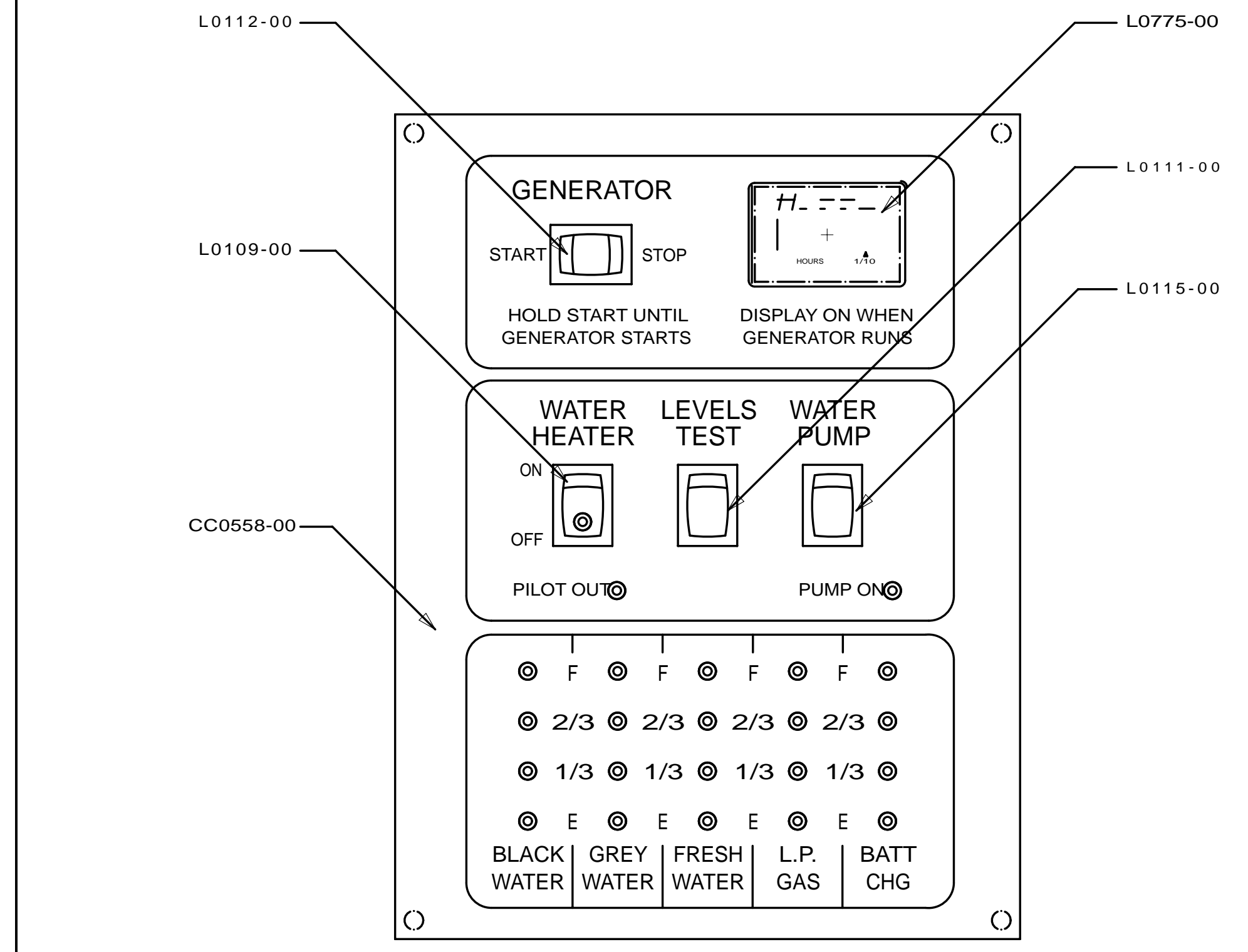
CONFIDENTIAL  
 THIS DOCUMENT, INCLUDING ALL INFORMATION CONTAINED HEREIN, IS THE EXCLUSIVE  
 AND CONFIDENTIAL PROPERTY OF VENTLINE DIVISION OF TOMKINS INDUSTRIES, INC.  
 THE DOCUMENT AND INFORMATION ARE NOT TO BE COPIED, REPRODUCED OR DELIVERED  
 TO OTHERS, IN WHOLE OR IN PART, WITHOUT THE EXPRESS WRITTEN PERMISSION OF  
 VENTLINE. THE DOCUMENT IS TO BE RETURNED PROMPTLY TO VENTLINE AFTER HAVING  
 SERVED THE PURPOSE FOR WHICH DELIVERED.  
 © 1986 VENTLINE DIVISION, TOMKINS INDUSTRIES, INC.  
 All Rights Reserved, including the right to reproduce this document or any part thereof

LA1071-00  
 PAGE 2 OF 2

LA1071-00  
 FOR USE WITH  
 NON-CONTACT  
 SENSORS  
 (MFG DATE)

PRODUCT LABEL  
 PRINTING DETAIL  
 NO SCALE

LTR.	DESCRIPTION	DATE	CHK BY	CHK BY
1	RELEASED TO PURCHASING & PRODUCTION. ECN 16261	12/3/03	JML	JML
A	ADDED LABEL DETAIL. ECN 16381	4-6-04	RJL	RJL
B	L5131-02 WAS L5118-02. ECN 16394	4-21-04	RJL	RJL



- NOTES:
- UNLESS OTHERWISE SPECIFIED ALL WIRE IS 22 AWG.
  - REF. DWG'S:  
 GENERATOR HARNESS= L7751-00  
 INTERNAL & SWITCH HARNESS= L7752-00  
 PCB= L5131-02  
 TEST HARNESS= L7753-00  
 TEST BOX= L8506-00
  - ALL PIGTAILS TO BE SUPPLIED BY CUSTOMER.
  - BEFORE PACKING, SECURE HARNESS WITH VD0169-00 TIE WRAP ON RIGHT SIDE POST.

PART NO.	REQD	MATERIAL	DESCRIPTION	DWG SIZE
VD0169-00	1		TIE WRAP	
L7752-00	1		HARNESS, INTERNAL & SWITCH	
L7751-00	1		HARNESS, GENERATOR	
L5131-02	1		PCB	
L0775-00	1		HOBBS HOUR METER	
L0531-00	2		FIBER WASHER	
L0522-00	2		HEX NUT, 6-32	
L0451-00	1		LABEL- SEE PRINTING DETAIL ABOVE	
L0844-00	2		PCB SPACER	
L0115-00	1		SWITCH, SPDT ON-ON, BLK	
L0112-00	1		SWITCH, SPDT (ON)-OFF-(ON), BLK	
L0111-00	1		SWITCH, SPST MOM. (ON)-OFF, BLK	
L0109-00	1		SWITCH, SPST ON-OFF, BLK, GRN LT.	
CC0558-00	1		SILKSCREENED CHASSIS	

BLANK SIZE	USED ON	WINNEBAGO
DRAWN DATE	MATERIAL	PHILIPS IND. INC.
11/20/03	SEE BOM PAGE 2	VENTLINE DIVISION
CHECKED DATE	NAME	BRISTOL, INDIANA 46507
11/20/03		SCALE: NONE
APP'VD DATE	FUNCTION DRAWING, MONITOR PANEL	DWG. NO. PAGE 2 OF 2
		LA 1071-00

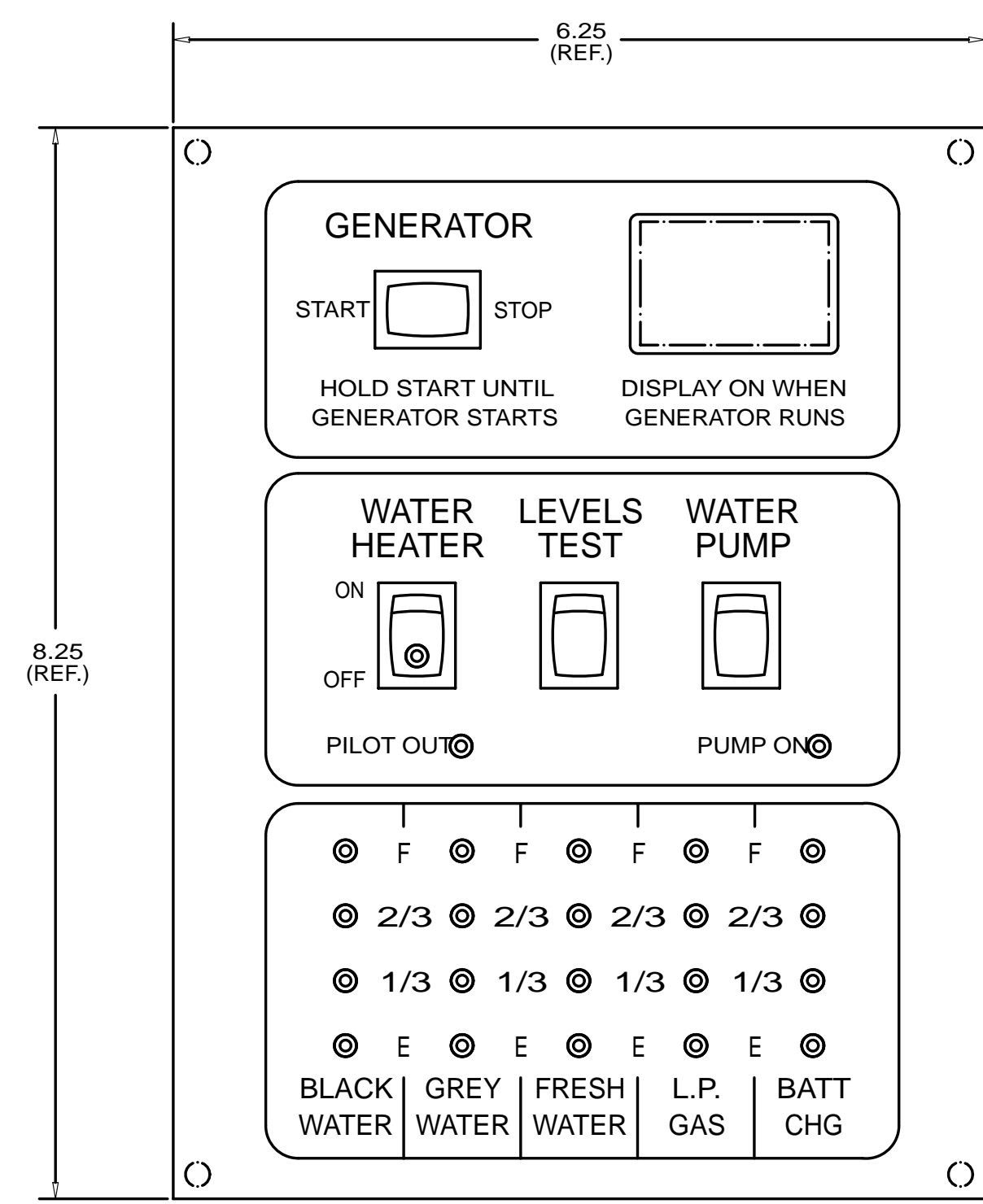
ENGLISH (TOLERANCE UNLESS SPECIFIED)  
 0 PL: .040 1 PL: .020  
 2 PL: .010 3 PL: .005  
 FRACTIONS: 1/64

FIRST USED	05 D SEIRES
TITLE:	DO NOT SCALE DRAWING
	PANEL-MONITOR
SHEET 6	PART NO 134940 REV
	03-Jan-2013

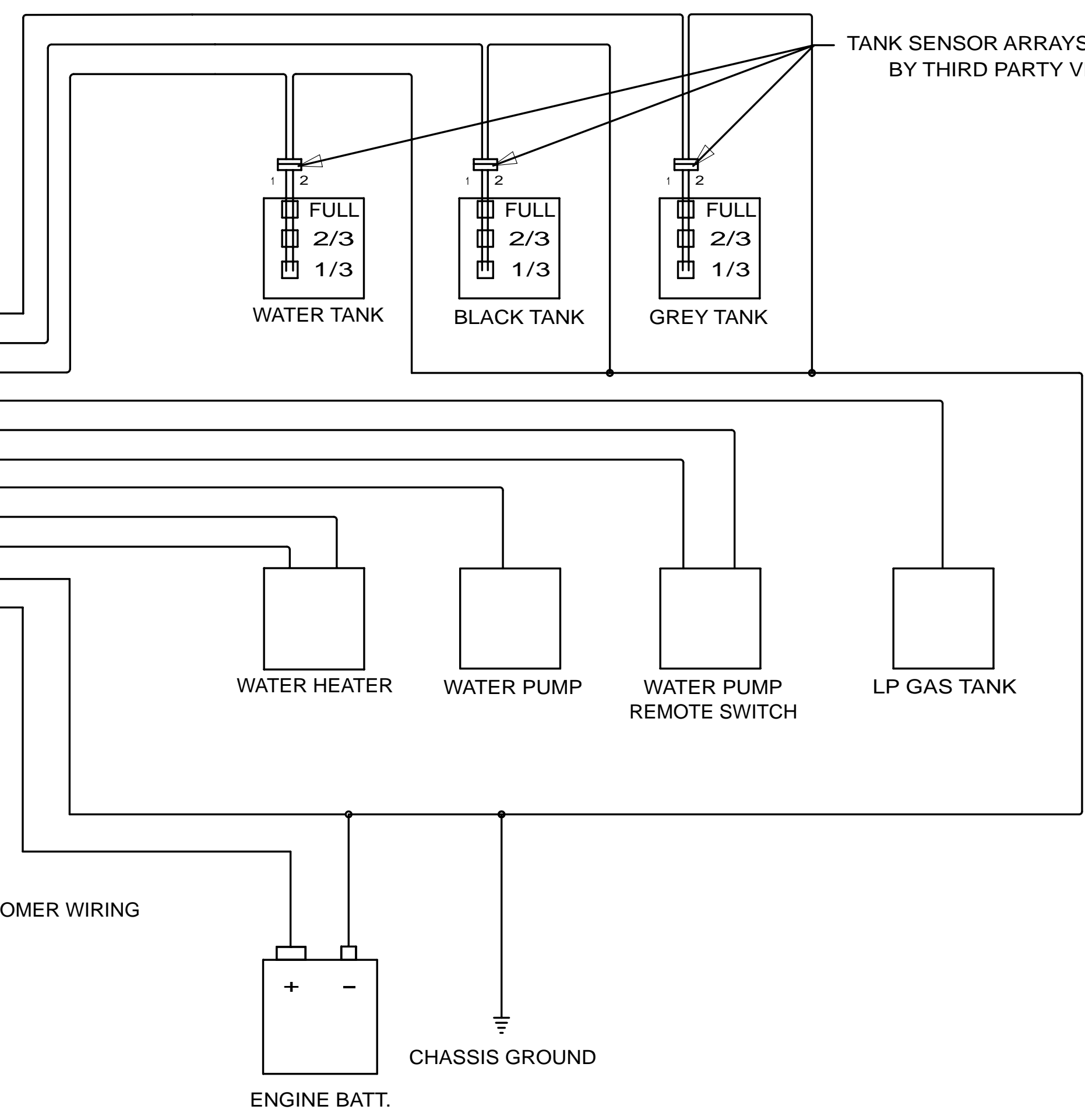
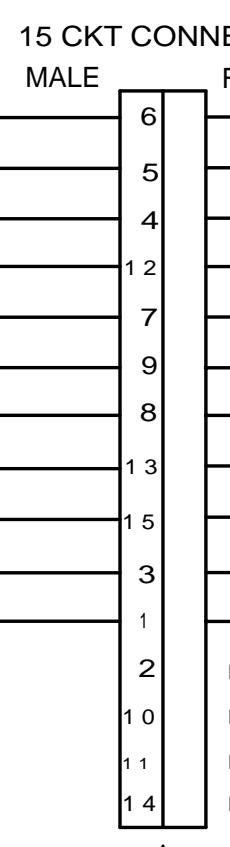
CONFIDENTIAL  
 THIS DOCUMENT, INCLUDING ALL INFORMATION CONTAINED HEREIN, IS THE EXCLUSIVE AND CONFIDENTIAL PROPERTY OF VENTLINE DIVISION OF TOMKINS INDUSTRIES, INC. THE DOCUMENT AND INFORMATION ARE NOT TO BE COPIED, REPRODUCED OR DELIVERED TO OTHERS, IN WHOLE OR IN PART, WITHOUT THE EXPRESS WRITTEN PERMISSION OF VENTLINE. THE DOCUMENT IS TO BE RETURNED PROMPTLY TO VENTLINE AFTER HAVING SERVED THE PURPOSE FOR WHICH DELIVERED.  
 © 1995 VENTLINE DIVISION, TOMKINS INDUSTRIES, INC.  
 All Rights Reserved, including the right to reproduce this document or any part thereof.

LA1073-00  
 PAGE 1 OF 2

LTR.	DESCRIPTION	DATE	CHK BY	CHK BY
R E L	RELEASED TO PURCHASING & PRODUCTION ECN 16261	1-27-03	-	MPR
A	SEE SHEET 2 ECN 16381	4-6-04	RJL	RJL
B	L5131-02 WAS L5118-02 ECN 16394	4-21-04	RJL	RJL



- GRY= GREY WATER TANK SENSOR
- BRN= BLACK WATER TANK SENSOR
- RED= FRESH WATER TANK SENSOR
- WHT/GRN= LP GAS TANK
- 14-RED/WHT= WATER PUMP REMOTE SW.
- 14-WHT/RED= WATER PUMP REMOTE SW.
- 14-RED= WATER PUMP
- YLW= D.S.I. WTR. HTR. POS.
- WHT/BLU= WTR. HTR. PILOT LT.
- WHT= NEGATIVE BATT. TERMINAL
- BLK= HOUSE BATTERY POS.



- NOTES:**
- UNLESS OTHERWISE SPECIFIED ALL WIRE IS 22 AWG.
  - REF. DWG.'S:  
 HARNESS, INTERNAL & SWITCH= L7752-00  
 PCB= L5131-02  
 HARNESS, TEST= L7753-00  
 TEST BOX= L8506-00
  - ALL PIGTAILS TO BE SUPPLIED BY CUSTOMER.
  - BEFORE PACKING, SECURE HARNESS WITH VD0169-00 TIE WRAP ON RIGHT SIDE POST.

PART NO.	REQ'D	MATERIAL	DESCRIPTION	DWG SIZE
BLANK SIZE				
DRAWN DATE MATERIAL USED ON WINNEBAGO				
DRAWN DATE MATERIAL USED ON WINNEBAGO				
CHECKED DATE NAME SCALE: NONE				
APPVD DATE NAME SCALE: NONE				

PHILIPS IND. INC.  
 VENTLINE DIVISION  
 BRISTOL, INDIANA 46507

FUNCTION DRAWING, MONITOR PANEL  
 DWG. NO. PAGE 1 OF 2  
 LA 1073-00

ENGLISH (TOLERANCE UNLESS SPECIFIED)  
 0 PL.: .040 1 PL.: .020  
 2 PL.: .010 3 PL.: .005  
 FRACTIONS: 1/64

FIRST USED	
05 D SERIES	
DO NOT SCALE DRAWING	
TITLE: PANEL-MONITOR	
SHEET 7	PART NO 134940 REV



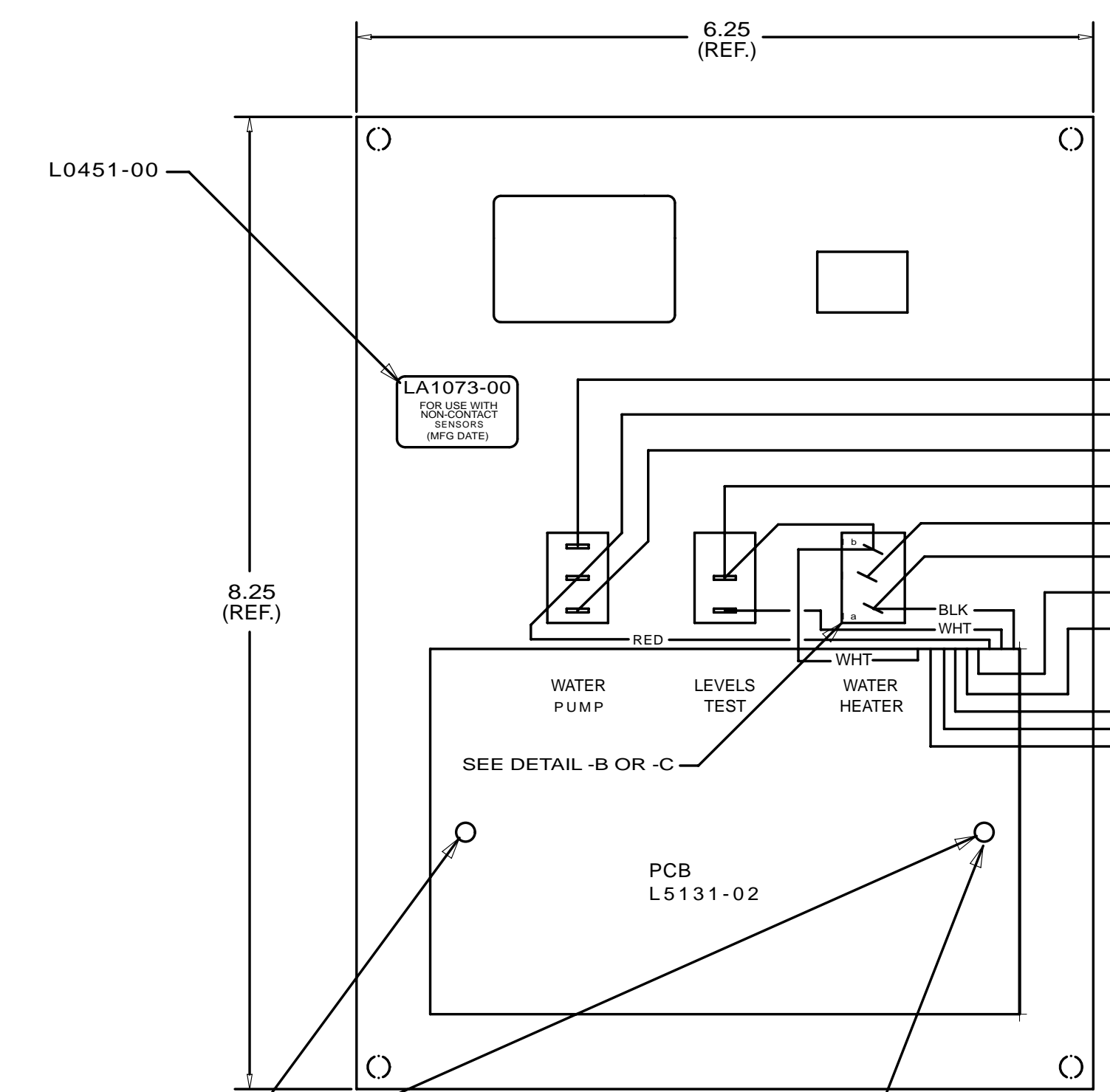
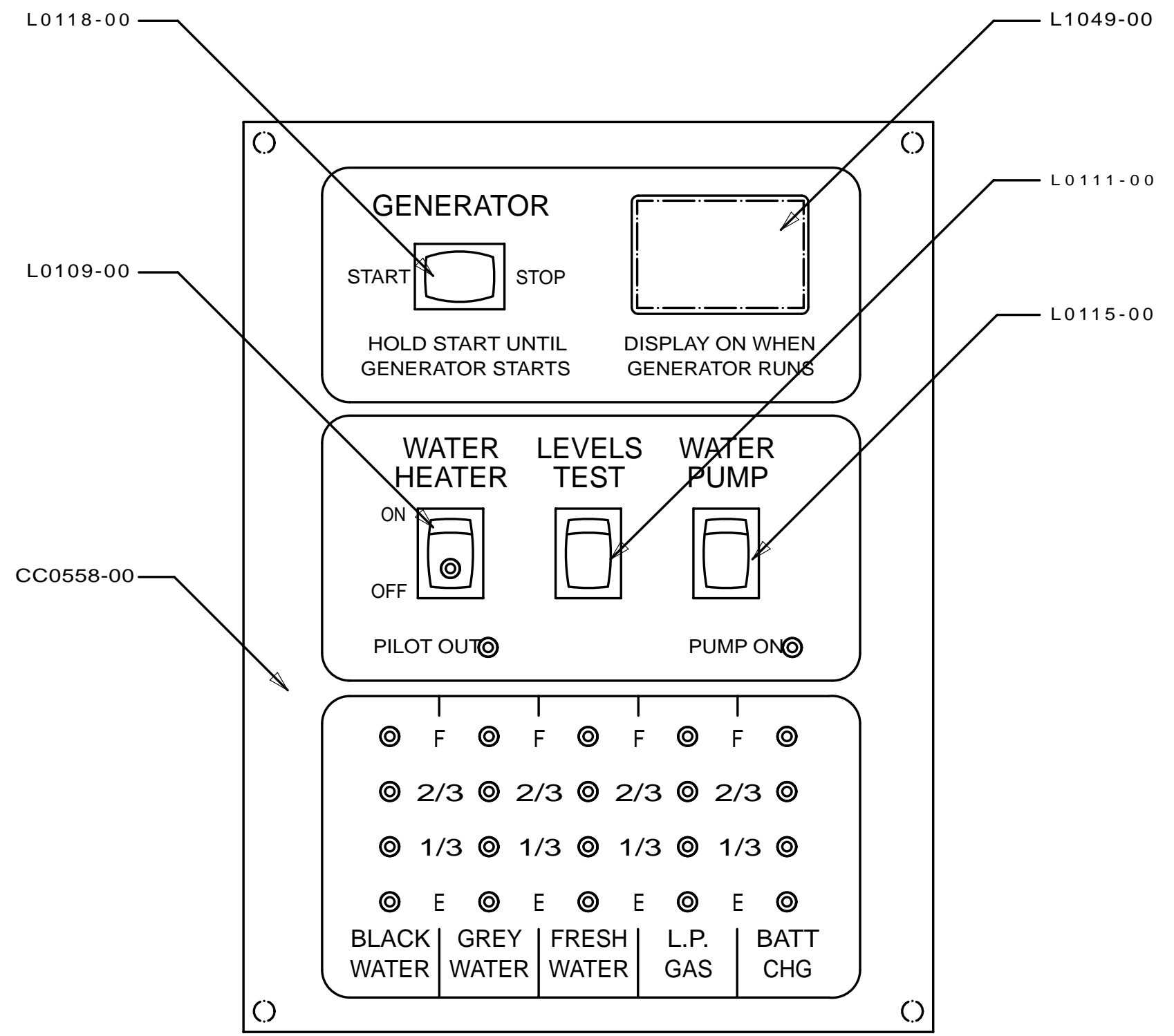
CONFIDENTIAL  
 THIS DOCUMENT INCLUDING ALL INFORMATION CONTAINED HEREIN IS THE EXCLUSIVE AND CONFIDENTIAL PROPERTY OF VENTLINE DIVISION OF TOMKINS INDUSTRIES, INC. THE DOCUMENT AND INFORMATION ARE NOT TO BE COPIED, REPRODUCED OR DELIVERED TO OTHERS IN WHOLE OR IN PART, WITHOUT THE EXPRESS WRITTEN PERMISSION OF VENTLINE. THE DOCUMENT IS TO BE RETURNED PROMPTLY TO VENTLINE AFTER HAVING SERVED THE PURPOSE FOR WHICH DELIVERED.  
 ©1995 VENTLINE DIVISION, TOMKINS INDUSTRIES, INC.  
 All Rights Reserved, including the right to reproduce this document or any part thereof

LTR.	DESCRIPTION	DATE	CHK BY	CHK BY
A	RELEASED TO PURCHASING & PRODUCTION ECN 16261	12/3/03		MPR
A	ADDED LABEL DETAIL ECN 16381	4-6-04	RJL	RJL
B	L5131-02 WAS L5118-02 ECN 16394	4-21-04	RJL	RJL

LA1073-00  
 PAGE 2 OF 2

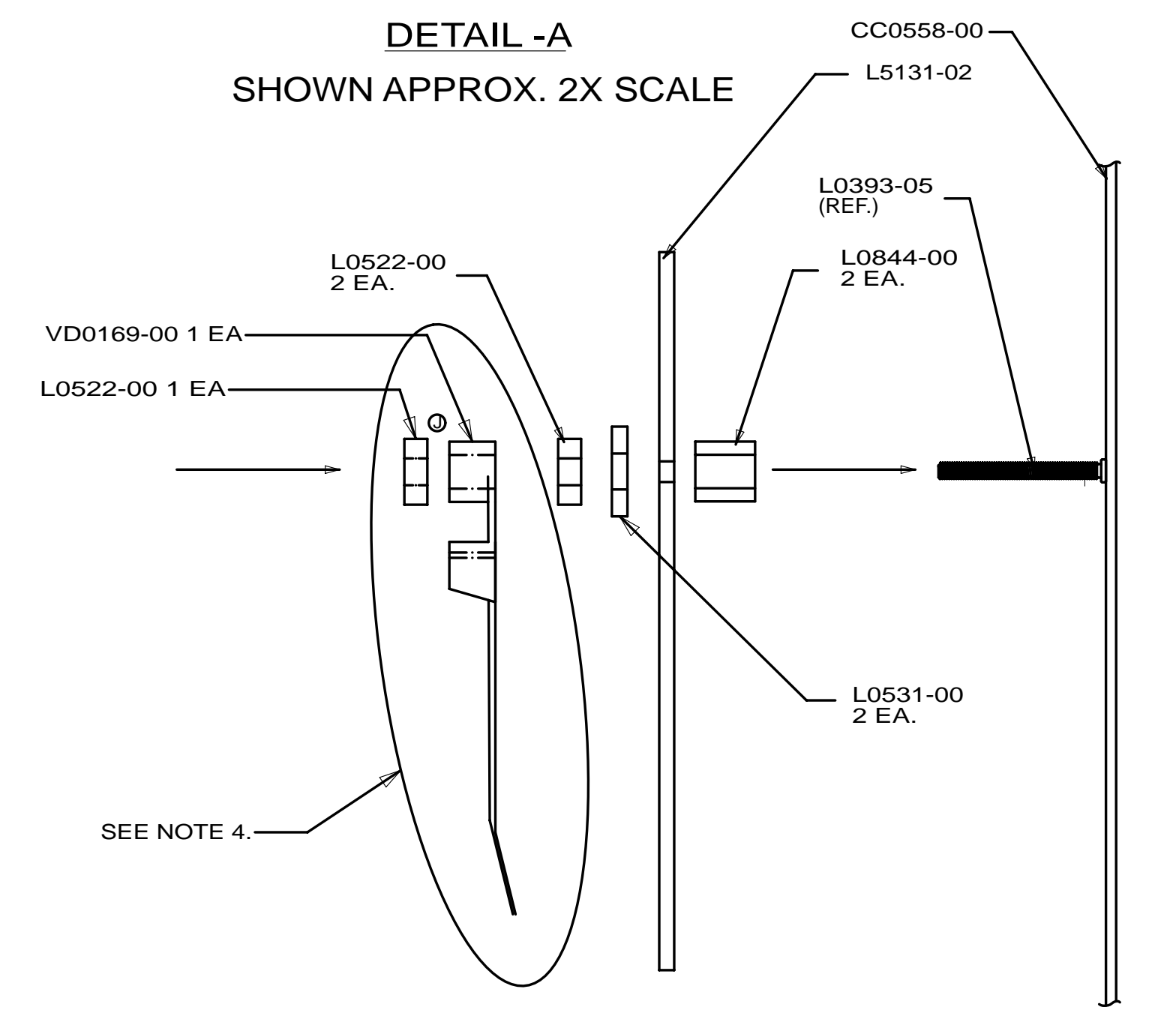
LA1073-00  
 FOR USE WITH  
 NON-CONTACT  
 SENSORS  
 (MFG DATE)

⊙  
 PRODUCT LABEL  
 PRINTING DETAIL  
 NO SCALE

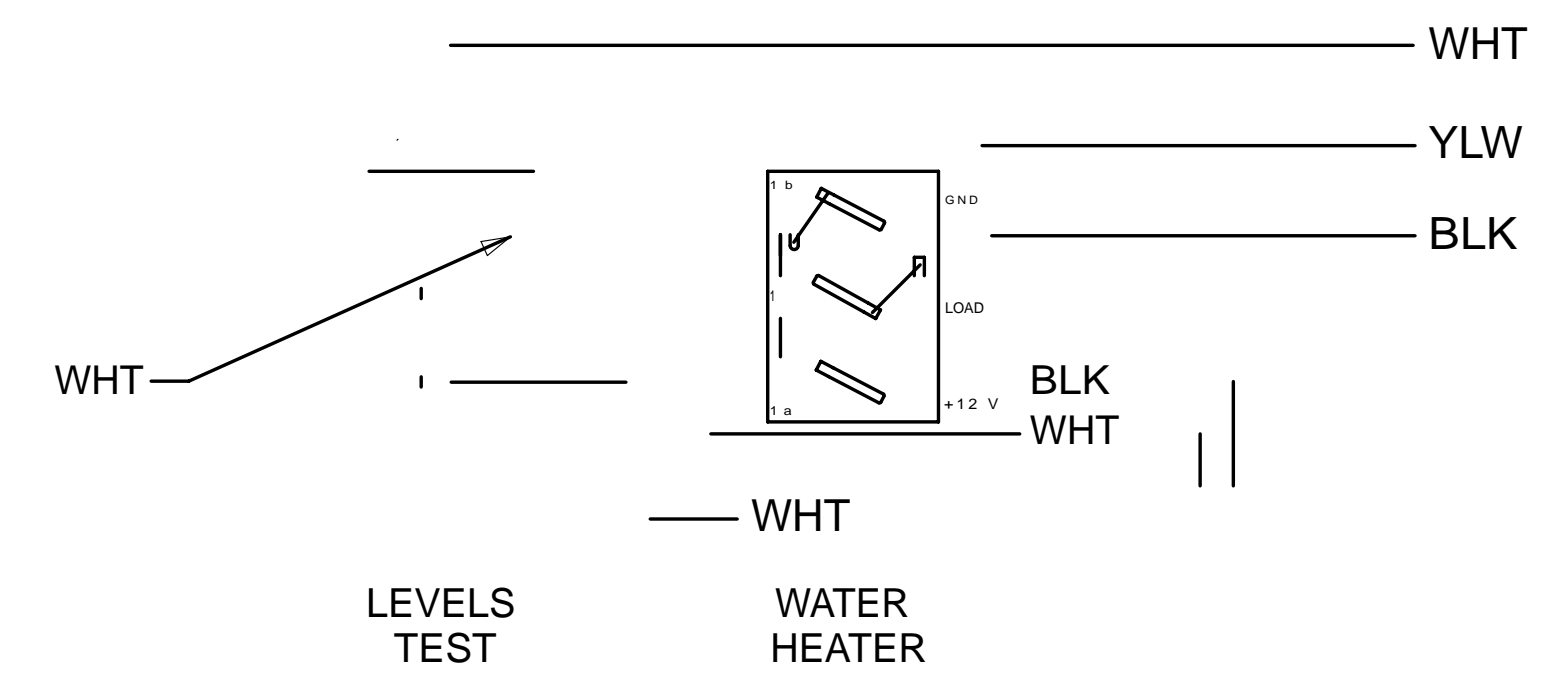


- VENTLINE WIRING ← CUSTOMER WIRING
- 7 CKT 7 14-RED/WHT= WATER PUMP REMOTE SW.
  - 8 CKT 8 14-RED= WATER PUMP
  - 9 CKT 9 14-WHT/RED= WATER PUMP REMOTE SW.
  - 3 CKT 3 WHT= NEGATIVE BATT. TERMINAL
  - 13 CKT 13 YLW= D.S.I. WTR. HTR. POS.
  - 1 CKT 1 BLK= HOUSE BATTERY POS.
  - 15 CKT 15 WHT/BLU= WTR. HTR. PILOT LT.
  - 12 CKT 12 WHT/GRN= LP GAS TANK
  - 4 CKT 4 RED= FRESH WATER TANK SENSOR
  - 6 CKT 6 GRY= GREY WATER TANK SENSOR
  - 5 CKT 5 BRN= BLACK WATER TANK SENSOR

DETAIL -A  
 SHOWN APPROX. 2X SCALE



DETAIL -B  
 SHOWN APPROX. 2X SCALE



- NOTES:
- UNLESS OTHERWISE SPECIFIED ALL WIRE IS 22 AWG.
  - REF. DWG.'S:  
 HARNESS, INTERNAL & SWITCH= L7752-00  
 PCB= L5131-02  
 HARNESS, TEST= L7753-00  
 TEST BOX= L8506-00
  - ALL PIGTAILS TO BE SUPPLIED BY CUSTOMER.
  - BEFORE PACKING, SECURE HARNESS WITH VD0169-00 TIE WRAP ON RIGHT SIDE POST.

PART NO.	REQD	MATERIAL	DESCRIPTION	DWG SIZE
VD0169-00	1		TIE WRAP WITH POST HOLE	
L7752-00	1		HARNESS, INTERNAL & SWITCH	
L5131-02	1		PCB	
L1049-00	1		HOLE PLUG	
L0531-00	4		FIBER WASHER	
L0522-00	2		HEX NUT, 6-32	
L0451-00	1		LABEL	
L0844-00	2		PCB SPACER	
L0118-00	1		SWITCH, DUMMY	
L0115-00	1		SWITCH, SPDT ON-ON, BLK	
L0111-00	1		SWITCH, SPST MOM. (ON)-OFF, BLK	
L0109-00	1		SWITCH, SPST ON-OFF, BLK, GRN LT.	
CC0558-00	1		SILKSCREENED CHASSIS	

ENGLISH (TOLERANCE UNLESS SPECIFIED)  
 0 PL.: .040 1 PL.: .020  
 2 PL.: .010 3 PL.: .005  
 FRACTIONS ± 1/64

BLANK SIZE	DRAWN DATE	MATERIAL	USED ON	WINNEBAGO
	11/21/03	SEE BOM PAGE 2		

PHILIPS IND. INC.  
 VENTLINE DIVISION  
 BRISTOL, INDIANA 46507

SCALE: N.O.S.

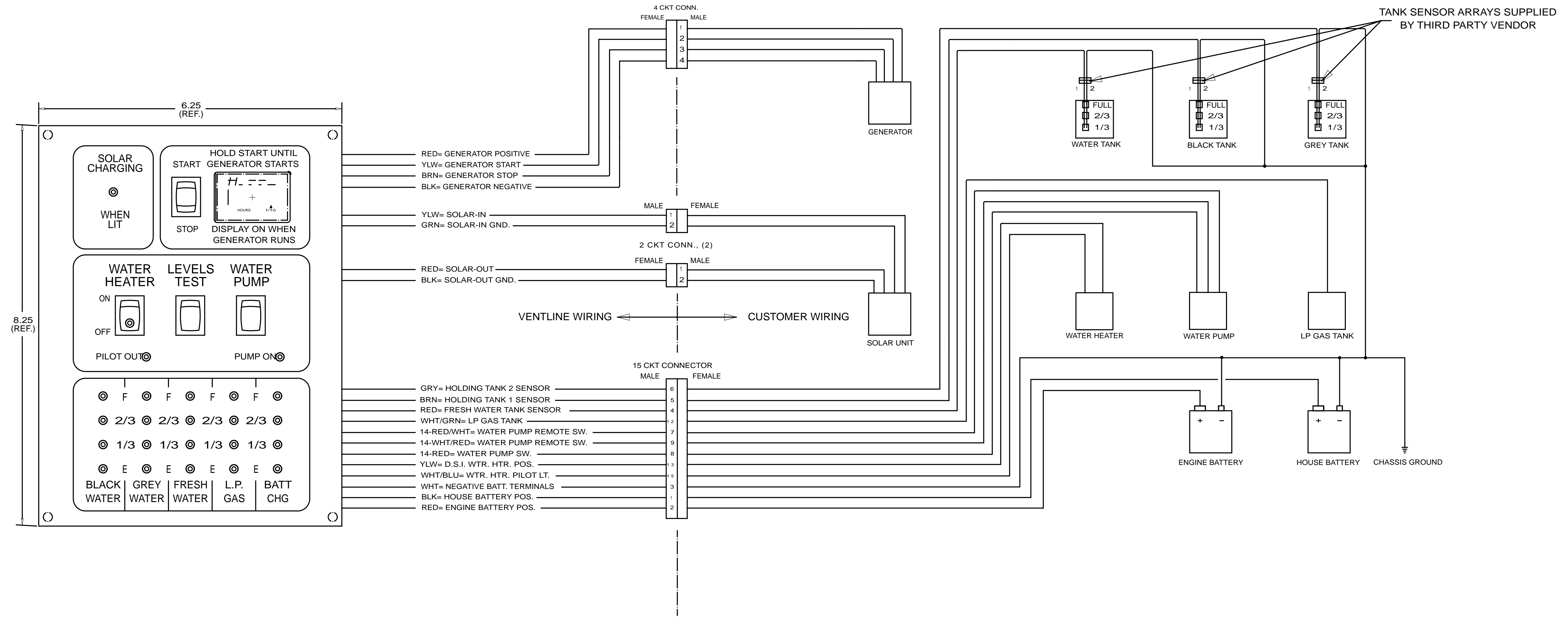
FUNCTION DRAWING, MONITOR PANEL DWG. NO. PAGE 2 OF 2 LA1073-00

FIRST USED	05 D SERIES
TITLE:	DO NOT SCALE DRAWING
	PANEL-MONITOR
SHEET 8	PART NO 134940 REV

CONFIDENTIAL  
 THIS DOCUMENT, INCLUDING ALL INFORMATION CONTAINED HEREIN, IS THE EXCLUSIVE AND CONFIDENTIAL PROPERTY OF VENTLINE DIVISION OF TOMKINS INDUSTRIES INC. THE DOCUMENT AND INFORMATION ARE NOT TO BE COPIED, REPRODUCED OR DELIVERED TO OTHERS, IN WHOLE OR IN PART, WITHOUT THE EXPRESS WRITTEN PERMISSION OF VENTLINE. THE DOCUMENT IS TO BE RETURNED PROMPTLY TO VENTLINE AFTER HAVING SERVED THE PURPOSE FOR WHICH DELIVERED.  
 © 1995 VENTLINE DIVISION, TOMKINS INDUSTRIES, INC.  
 All Rights Reserved, including the right to reproduce this document or any part thereof.

LA1074-00  
 PAGE 1 OF 2

LTR.	DESCRIPTION	DATE	CHK BY	CHK BY
A	RELEASED TO PURCHASING & PRODUCTION.	12/3/03	JL	JL
A	SEE SHEET 2 ECN 16381 ECN 16281	4-6-04	RJL	RJL
B	L5131-02 WAS L5118-02 ECN 16394	4-21-04	RJL	RJL



- NOTES:
- UNLESS OTHERWISE SPECIFIED ALL WIRE IS 22 AWG.
  - REF. DWG.'S:  
 HARNESS, INTERNAL & SWITCH= L7752-00  
 HARNESS, GEN. INTERNAL & SWITCH= L7786-00  
 HARNESS, SOLAR LIGHT= L7722-00  
 PCB= L5131-02  
 HARNESS, TEST= L7753-00  
 TEST BOX= L8506-00
  - ALL PIGTAILS TO BE SUPPLIED BY CUSTOMER.
  - BEFORE PACKING, SECURE HARNESS WITH VD0169-00 TIE WRAP ON RIGHT SIDE POST.

ENGLISH (TOLERANCE UNLESS SPECIFIED)  
 0 PL.: .040 1 PL.: .020  
 2 PL.: .010 3 PL.: .005  
 FRACTIONS : 1/64

BLANK SIZE	DRAWN	DATE	MATERIAL	USED ON	WINNEBAGO
			SEE BOM PAGE 2		

PHILLIPS IND. INC.  
 VENTLINE DIVISION  
 BRISTOL, INDIANA 46507

SCALE: NONE

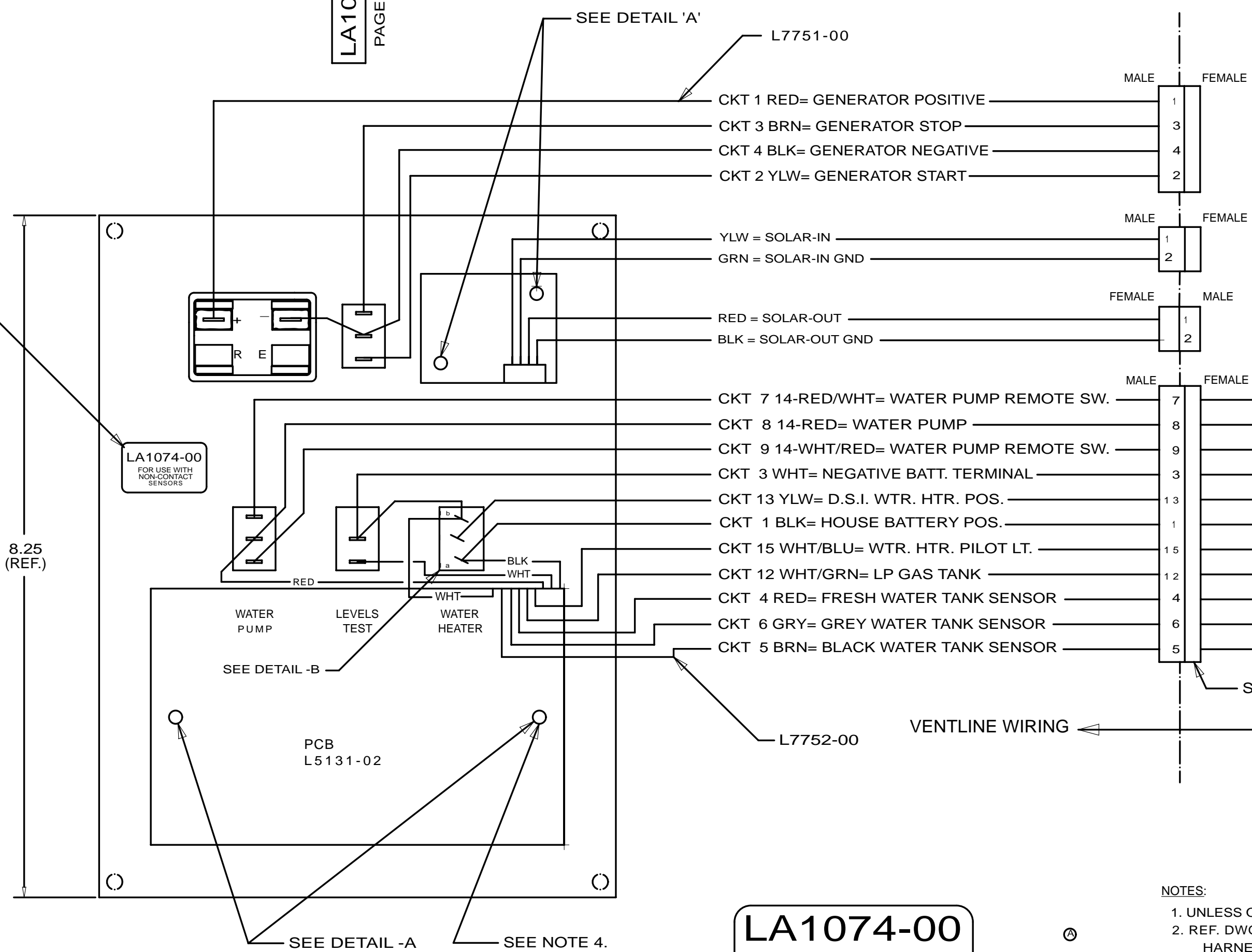
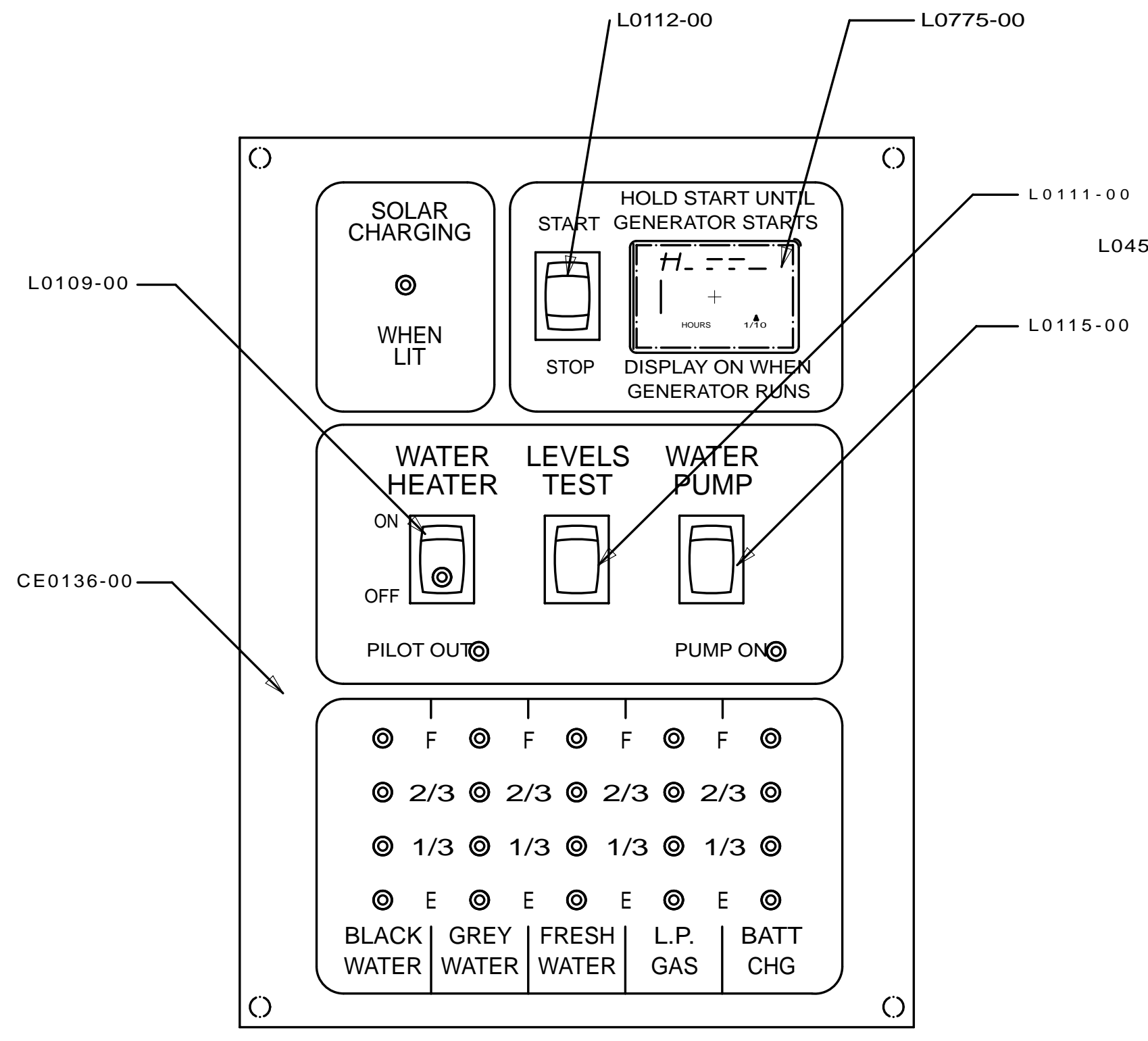
FUNCTION DRAWING, MONITOR PANEL  
 DWG. NO. LA 1074-00  
 PAGE 1 OF 2

FIRST USED	05 D SERIES
TITLE:	DO NOT SCALE DRAWING
	PANEL-MONITOR
SHEET 9	PART NO 134940
	REV

CONFIDENTIAL  
 THIS DOCUMENT, INCLUDING ALL INFORMATION CONTAINED HEREIN, IS THE EXCLUSIVE  
 AND CONFIDENTIAL PROPERTY OF VENTLINE DIVISION OF TOMKINS INDUSTRIES, INC.  
 THE DOCUMENT AND INFORMATION ARE NOT TO BE COPIED, REPRODUCED OR DELIVERED  
 TO OTHERS, IN WHOLE OR IN PART, WITHOUT THE EXPRESS WRITTEN PERMISSION OF  
 VENTLINE. THE DOCUMENT IS TO BE RETURNED PROMPTLY TO VENTLINE AFTER HAVING  
 SERVED THE PURPOSE FOR WHICH DELIVERED.  
 © 1995 VENTLINE DIVISION, TOMKINS INDUSTRIES, INC.  
 All Rights Reserved, including the right to reproduce this document or any part thereof.

LA1074-00  
 PAGE 2 OF 2

LTR	DESCRIPTION	DATE	CHK BY	CRK BY
A	RELEASED TO PURCHASING & PRODUCTION ECN 16261	12/3/03	JL	JL
A	ADDED LABEL DETAIL ECN 16381	4-6-04	RJL	RJL
B	L5131-02 WAS L5118-02 ECN 16394	4-21-04	RJL	RJL

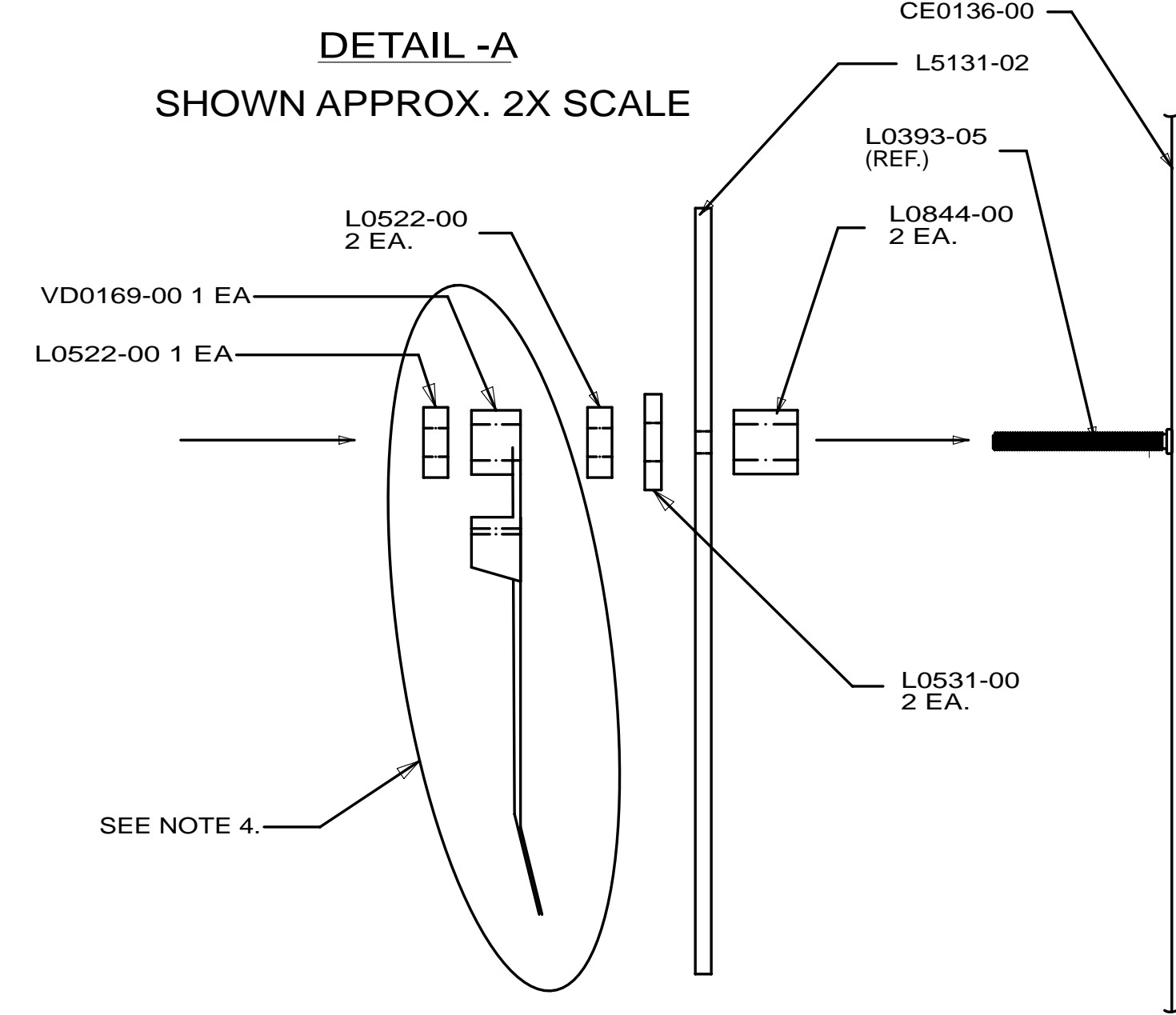


**LA1074-00**  
 FOR USE WITH  
 NON-CONTACT  
 SENSORS  
 (MFG DATE)

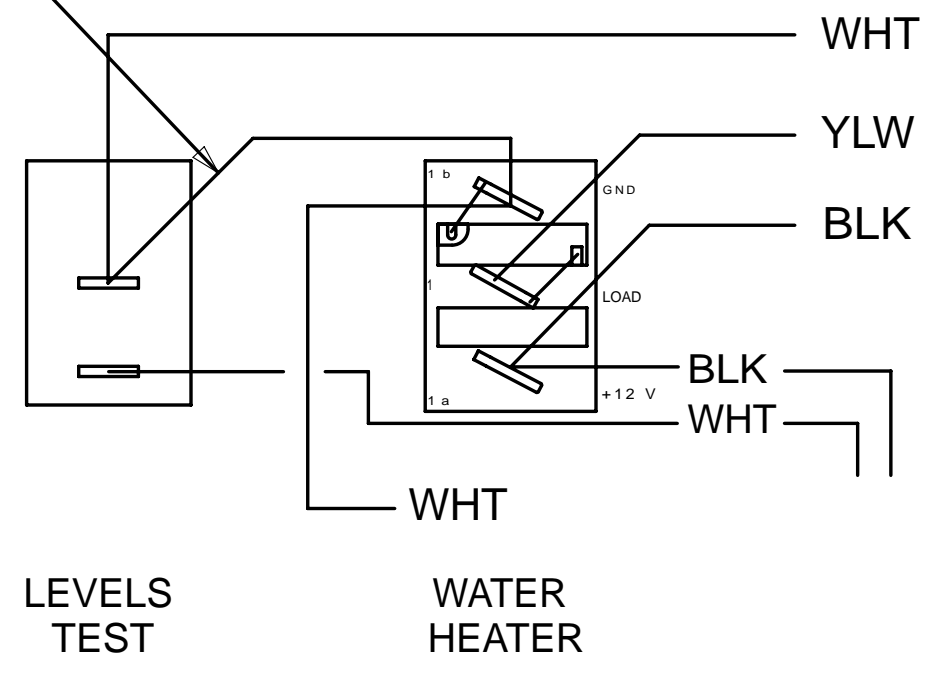
PRODUCT LABEL  
 PRINTING DETAIL  
 NO SCALE

- NOTES:
- UNLESS OTHERWISE SPECIFIED ALL WIRE IS 22 AWG.
  - REF. DWG.'S:  
 HARNESS, INTERNAL & SWITCH= L7752-00  
 HARNESS, GEN. INTERNAL & SWITCH= L7786-00  
 HARNESS, SOLAR LIGHT= L7722-00  
 PCB= L5131-02  
 HARNESS, TEST= L7753-00  
 TEST BOX= L8506-00
  - ALL PIGTAILS TO BE SUPPLIED BY CUSTOMER.
  - BEFORE PACKING, SECURE HARNESS WITH  
 VD0169-00 TIE WRAP ON RIGHT SIDE POST.

**DETAIL -A**  
 SHOWN APPROX. 2X SCALE



**DETAIL -B**  
 SHOWN APPROX. 2X SCALE



PART NO.	RECD	MATERIAL	DESCRIPTION	DWG SIZE
VD0169-00	1		TIE WRAP	
L7752-00	1		HARNESS, INTERNAL & SWITCH	
L7751-00	1		HARNESS, GENERATOR	
L7722-00	1		SOLAR LIGHT HARNESS	
L5121-01	1		SOLAR LIGHT PCB	
L5131-02	1		PCB	
L0775-00	1		HOBBS HOUR METER	
L0531-00	4		FIBER WASHER	
L0522-00	5		HEX NUT, 6-32	
L0451-00	1		LABEL	
L0844-00	4		PCB SPACER	
L0115-00	1		SWITCH, SPDT ON-ON, BLK	
L0112-00	1		SWITCH, SPDT (ON)-OFF-(ON), BLK	
L0111-00	1		SWITCH, SPST MOM. (ON)-OFF, BLK	
L0109-00	1		SWITCH, SPST ON-OFF, BLK, GRN LT.	
CE0136-00	1		SILKSCREENED CHASSIS	

BLANK SIZE	USED ON	WINNEBAGO
DRAWN DATE	MATERIAL	
11/21/03	SEE BOM	
CHECKED DATE	NAME	
11/21/03		
APPV'D DATE		

ENGLISH (TOLERANCE UNLESS SPECIFIED)  
 0 PL.: .040 1 PL.: .020  
 2 PL.: .010 3 PL.: .005  
 FRACTIONS: 1/64

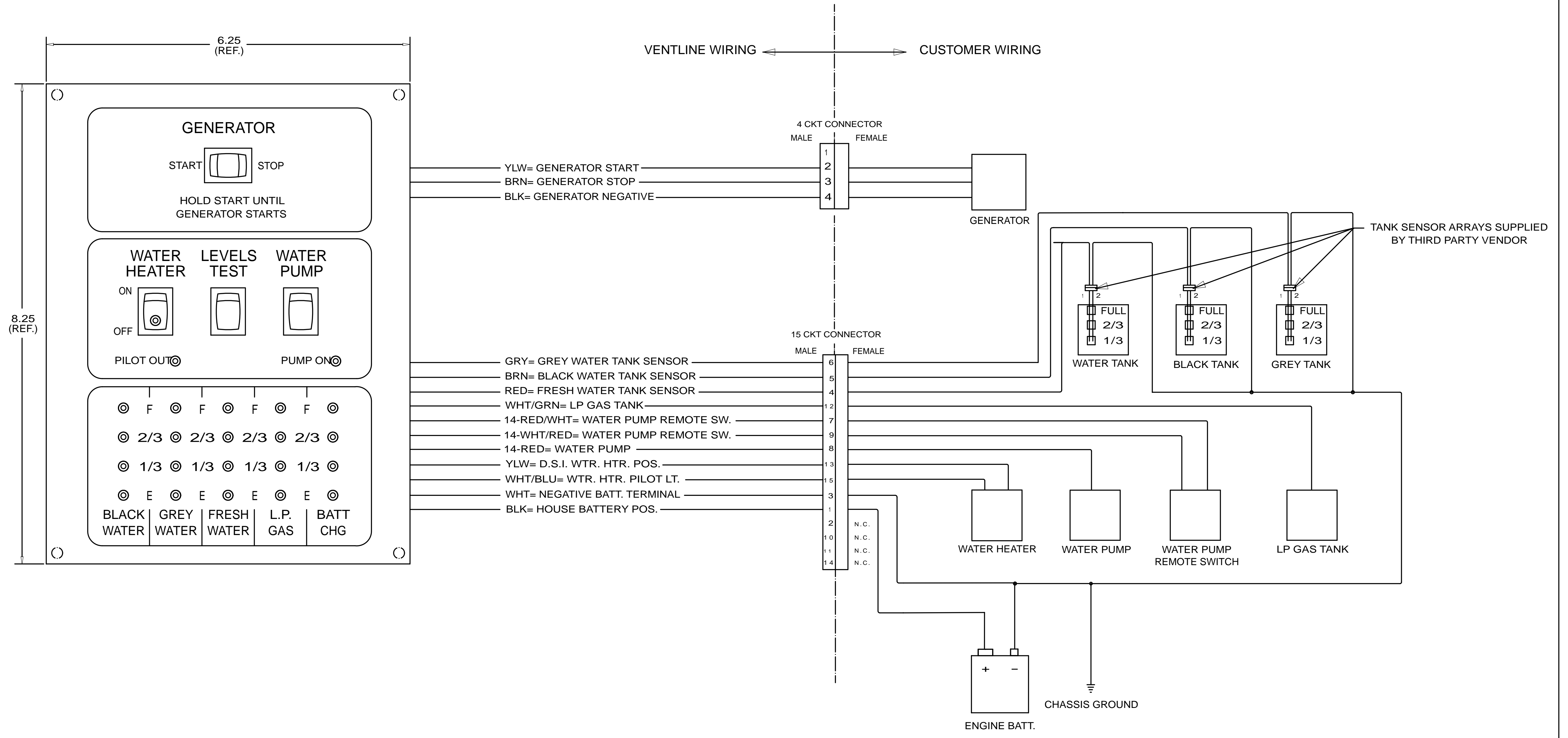
FUNCTION DRAWING, MONITOR PANEL  
 DWG. NO. LA 1074-00  
 PAGE 2 OF 2

FIRST USED	05 D SERIES
TITLE:	DO NOT SCALE DRAWING
	PANEL-MONITOR
SHEET 10	PART NO 134940 REV

CONFIDENTIAL  
 THIS DOCUMENT, INCLUDING ALL INFORMATION CONTAINED HEREIN, IS THE EXCLUSIVE  
 AND CONFIDENTIAL PROPERTY OF VENTLINE DIVISION OF TOMKINS INDUSTRIES, INC.  
 THE DOCUMENT AND INFORMATION ARE NOT TO BE COPIED, REPRODUCED OR DELIVERED  
 TO OTHERS, IN WHOLE OR IN PART, WITHOUT THE EXPRESS WRITTEN PERMISSION OF  
 VENTLINE. THE DOCUMENT IS TO BE RETURNED PROMPTLY TO VENTLINE AFTER HAVING  
 SERVED THE PURPOSE FOR WHICH DELIVERED.  
 © 1992 VENTLINE DIVISION, TOMKINS INDUSTRIES, INC.  
 All Rights Reserved, including the right to reproduce this document or any part thereof

LA1075-00  
 PAGE 1 OF 2

LTR.	DESCRIPTION	DATE	CHK BY
A	RELEASED TO PURCHASING AND PRODUCTION EGN 16261	1-2-3-03	MPR
A	SEE SHEET 2 EGN 16381	4-6-04	RJL
B	L5131-02 WAS L5118-02 EGN 16394	4-21-04	RJL



- NOTES:
- UNLESS OTHERWISE SPECIFIED ALL WIRE IS 22 AWG.
  - REF. DWG.'S:  
 HARNESS, INTERNAL & SWITCH= L7752-00  
 HARNESS, GEN. INTERNAL & SWITCH= L7786-00  
 HARNESS, SOLAR LIGHT= L7722-00  
 PCB= L5131-02  
 HARNESS, TEST= L7753-00  
 TEST BOX= L8506-00
  - ALL PIGTAILS TO BE SUPPLIED BY CUSTOMER.
  - BEFORE PACKING, SECURE HARNESS WITH  
 VD0169-00 TIE WRAP ON RIGHT SIDE POST.

ENGLISH (TOLERANCE UNLESS SPECIFIED)  
 0 PL: .040    1 PL: .020  
 2 PL: .010    3 PL: .005  
 FRACTIONS: 1/64

PART NO.	REQD	MATERIAL	DESCRIPTION	DWG SIZE

BLANK SIZE	USED ON	WINNEBAGO

DRAWN	DATE	MATERIAL	SCALE	PHILIPS IND. INC.

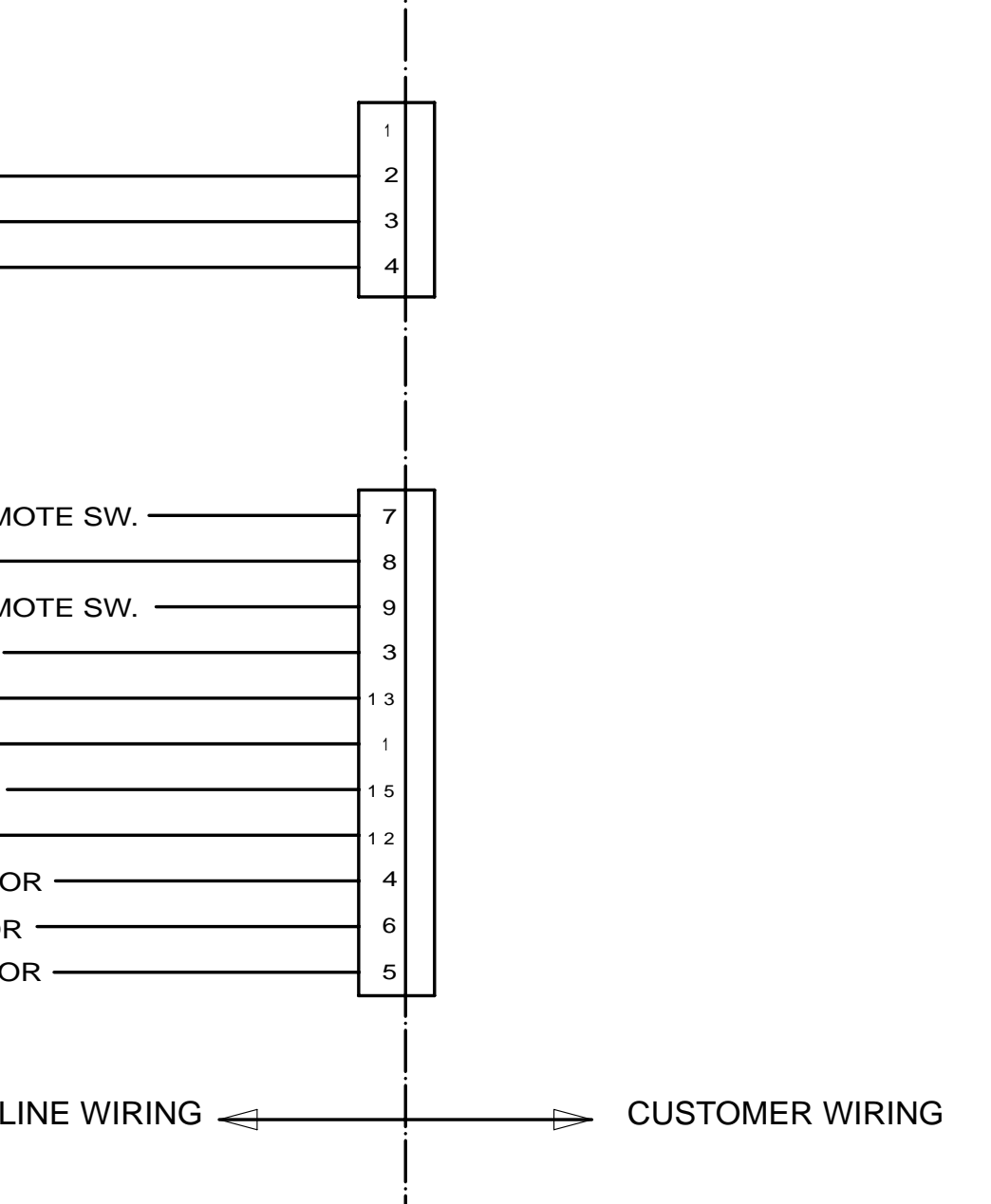
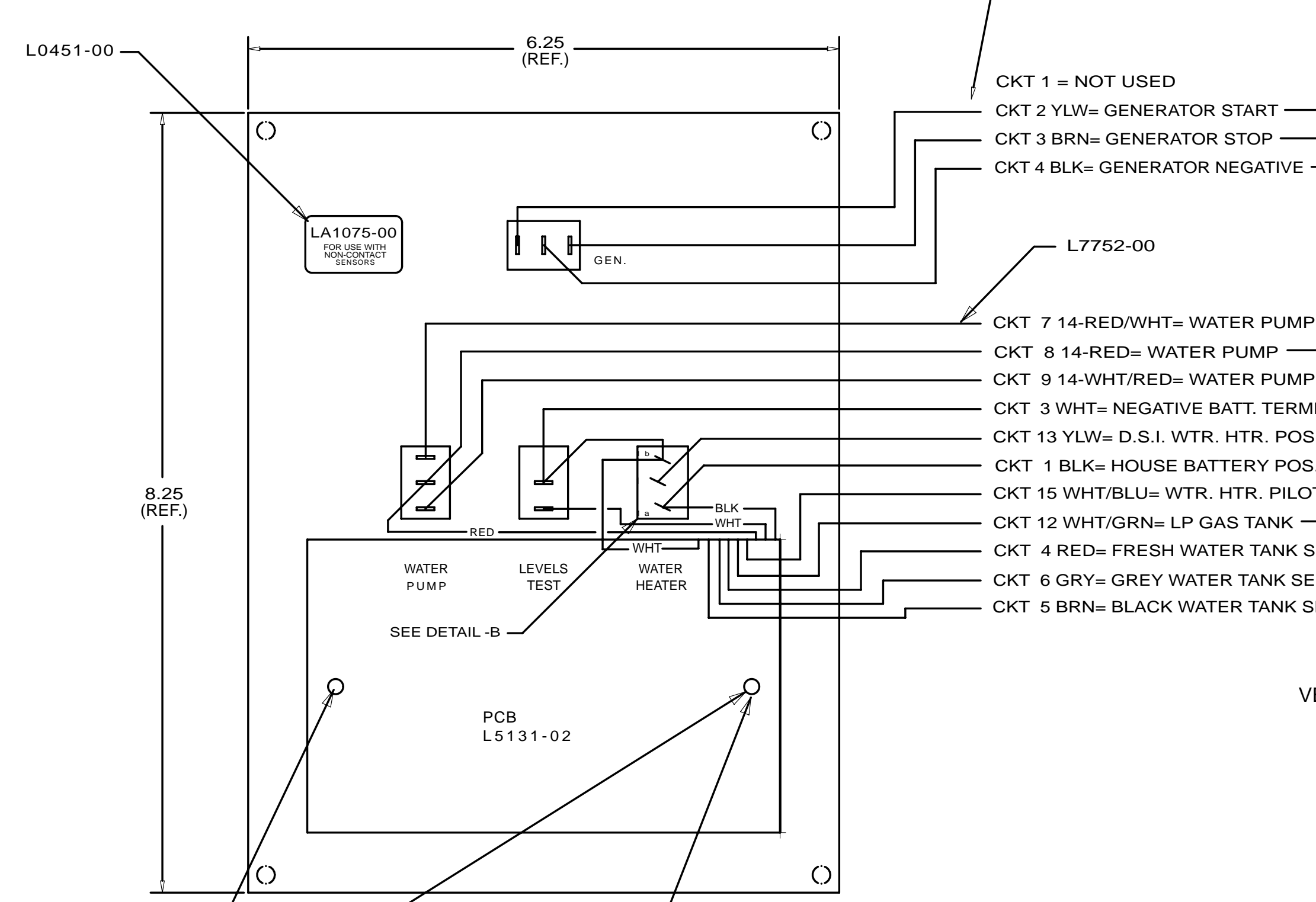
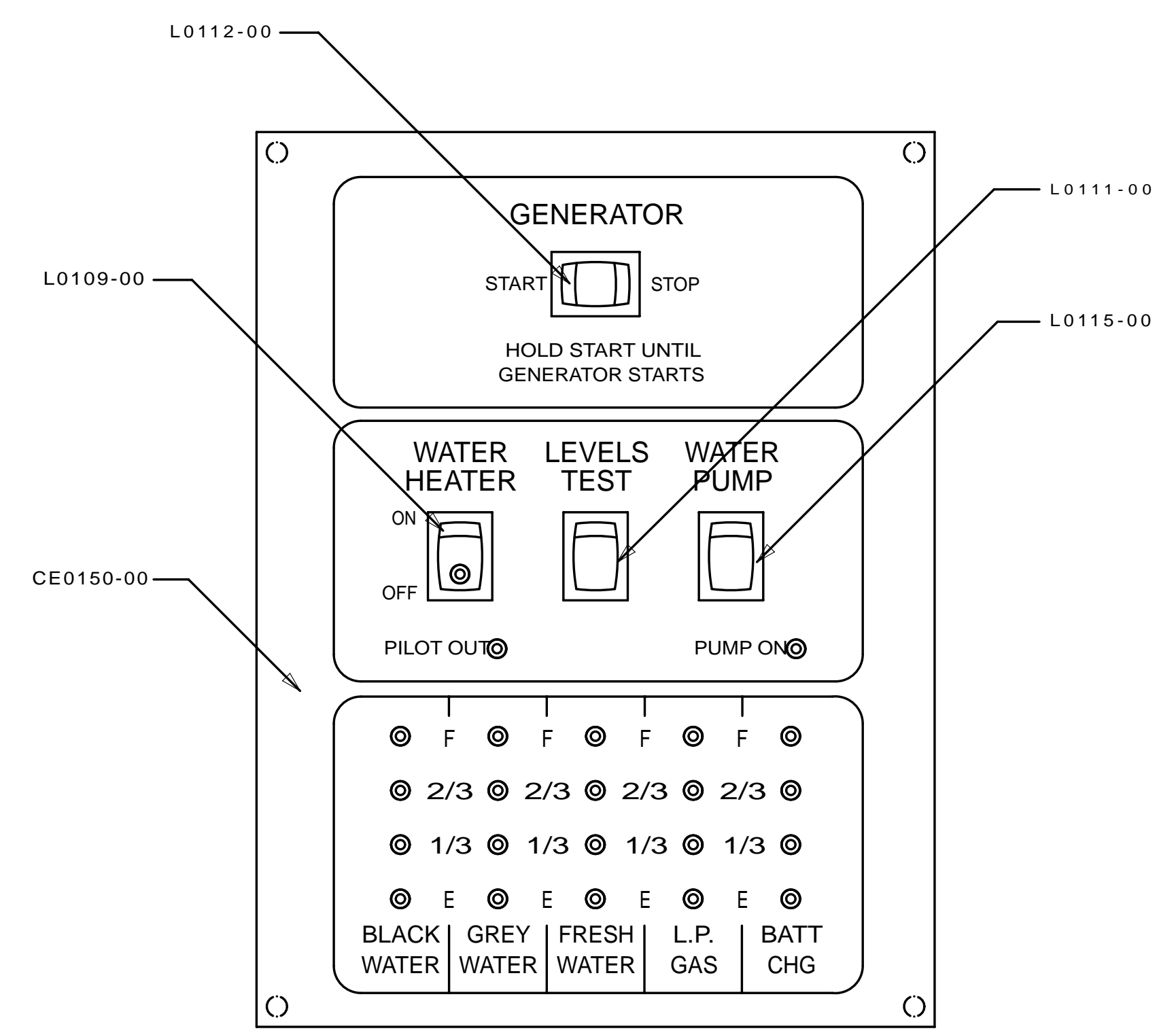
FUNCTION DRAWING,  
 MONITOR PANEL  
 DWG. NO. PAGE 1 OF 2  
 LA 1075-00

FIRST USED	06 500 SERIES
TITLE:	DO NOT SCALE DRAWING
SHEET 11	PART NO 134940 REV
	03-Jan-13

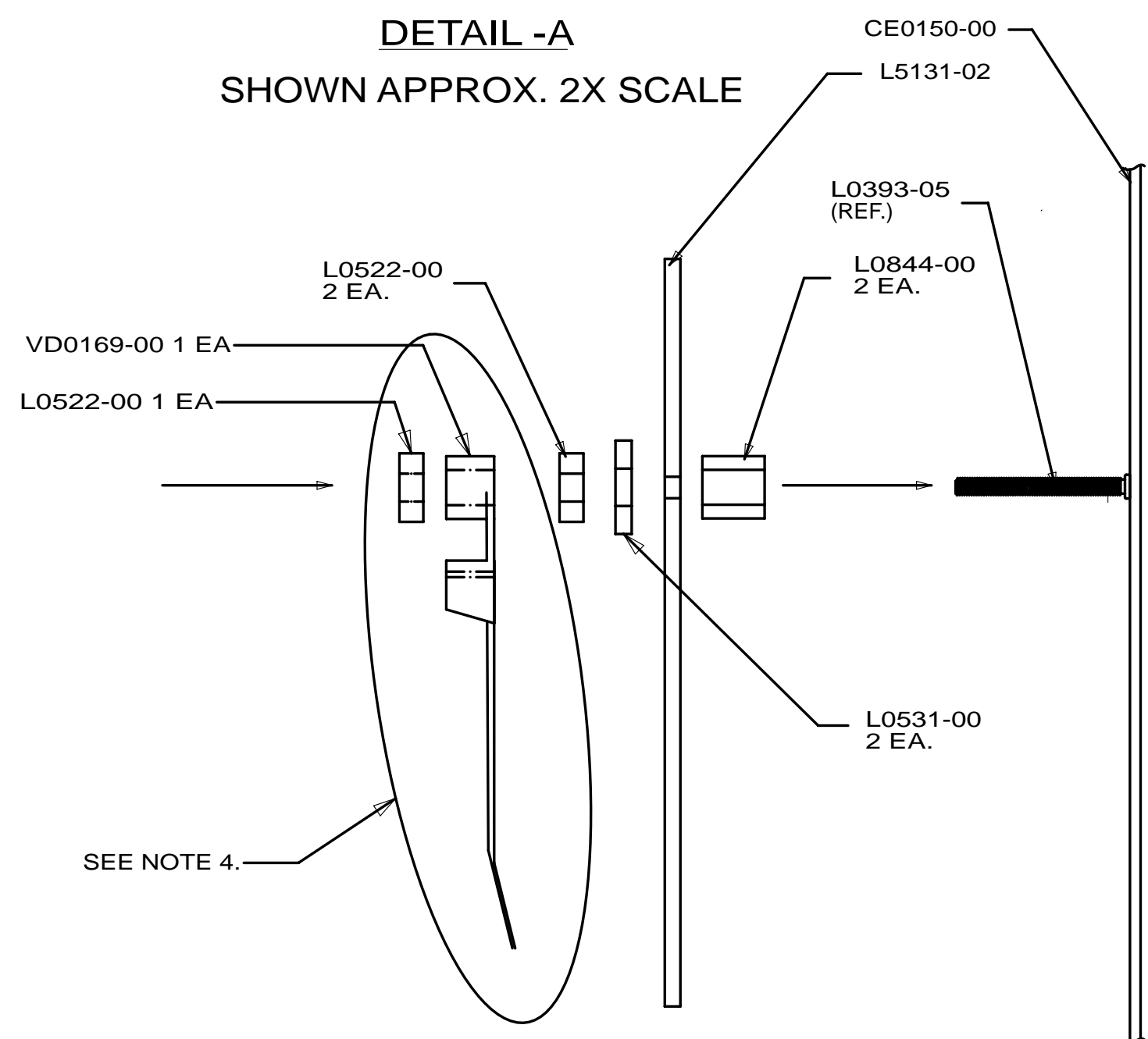
CONFIDENTIAL  
 THIS DOCUMENT, INCLUDING ALL INFORMATION CONTAINED HEREIN, IS THE EXCLUSIVE AND CONFIDENTIAL PROPERTY OF VENTLINE DIVISION OF TOMKINS INDUSTRIES, INC. THE DOCUMENT AND INFORMATION ARE NOT TO BE COPIED, REPRODUCED OR DELIVERED TO OTHERS, IN WHOLE OR IN PART, WITHOUT THE EXPRESS WRITTEN PERMISSION OF VENTLINE. THE DOCUMENT IS TO BE RETURNED PROMPTLY TO VENTLINE AFTER HAVING SERVED THE PURPOSE FOR WHICH DELIVERED.  
 ©1995 VENTLINE DIVISION, TOMKINS INDUSTRIES, INC.  
 All Rights Reserved, including the right to reproduce this document or any part thereof

LA1075-00  
 PAGE 2 OF 2

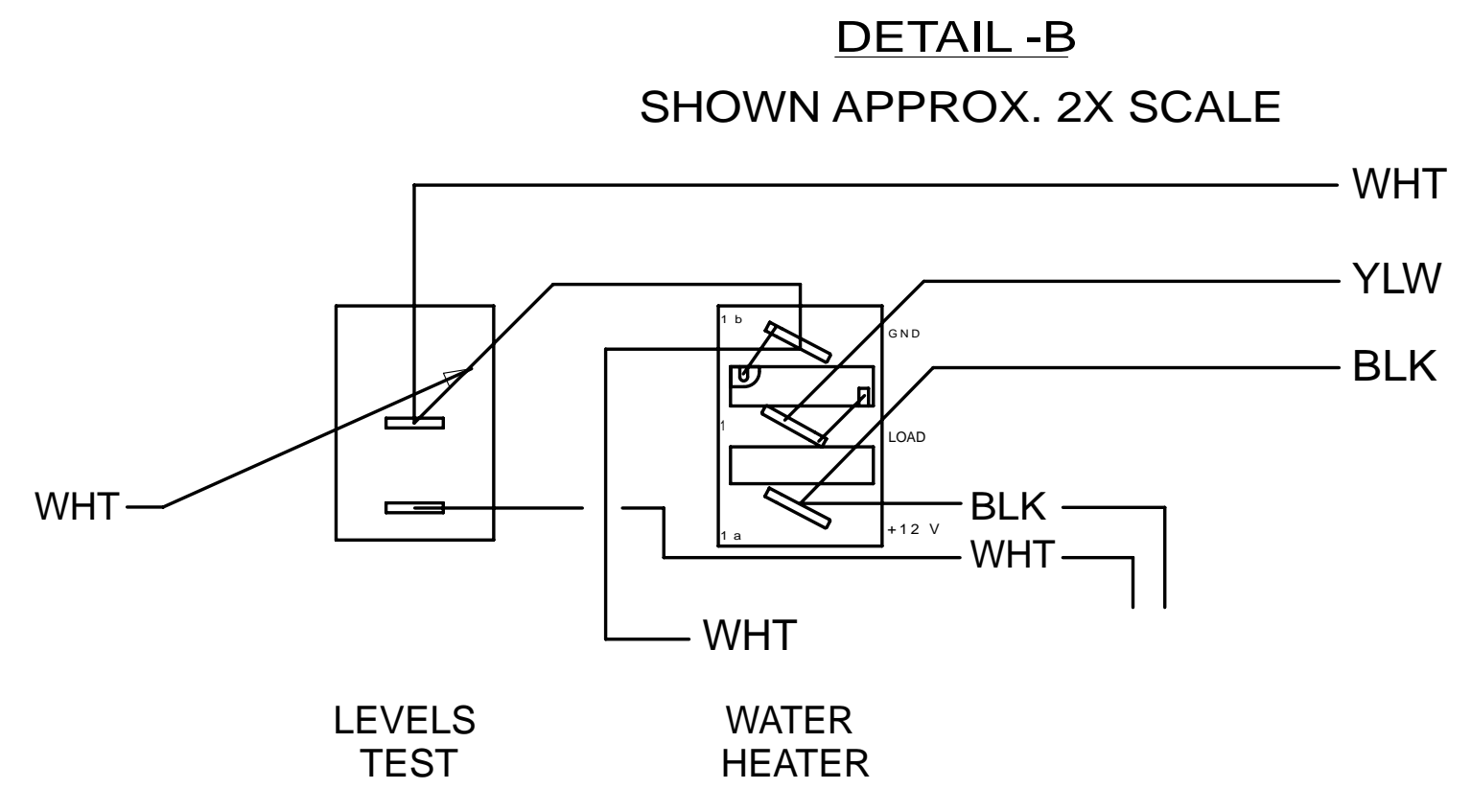
LTR.	DESCRIPTION	DATE	CHK BY	CHK BY
1	RELEASED TO PURCHASING AND PRODUCTION	1-27-03	JL	JL
A	ADDED LABEL DETAIL ECN 16381	4-6-04	RJL	RJL
B	L5131-02 WAS L5118-02 ECN 16384	4-21-04	RJL	RJL



DETAIL -A  
 SHOWN APPROX. 2X SCALE



DETAIL -B  
 SHOWN APPROX. 2X SCALE



LA1075-00  
 FOR USE WITH  
 NON-CONTACT  
 SENSORS  
 (MFG DATE)

- NOTES:
- UNLESS OTHERWISE SPECIFIED ALL WIRE IS 22 AWG.
  - REF. DWG.'S:  
 HARNESS, INTERNAL & SWITCH= L7785-01, -02  
 HARNESS, GEN. INTERNAL & SWITCH= L7786-00  
 PCB= L5131-02  
 HARNESS, TEST= L8012-00  
 TEST BOX= L8506-00
  - ALL PIGTAILS TO BE SUPPLIED BY CUSTOMER.
  - BEFORE PACKING, SECURE HARNESS WITH VD0169-00 TIE WRAP ON RIGHT SIDE POST.

PART NO.	REQD	MATERIAL	DESCRIPTION	DWG SIZE
VD0169-00	1		TIE WRAP	
L7752-00	1		HARNESS, INTERNAL & SWITCH	
L7832-00	1		HARNESS, GENERATOR	
L5131-02	1		PCB	
L0531-00	2		FIBER WASHER	
L0522-00	2		HEX NUT, 6-32	
L0451-00	1		LABEL	
L0844-00	2		PCB SPACER	
L0115-00	1		SWITCH, SPDT ON-ON, BLK	
L0112-00	1		SWITCH, SPDT (ON)-OFF-(ON), BLK	
L0111-00	1		SWITCH, SPST MOM. (ON)-OFF, BLK	
L0109-00	1		SWITCH, SPST ON-OFF, BLK, GRN LT.	
CE0150-00	1		SILKSCREENED CHASSIS	

BLANK SIZE	DATE	MATERIAL	USED ON	WINNEBAGO
DRAWN		SEE BOM		
CHECKED				
APP'VD				

PHILIPS IND, INC.  
 VENTLINE DIVISION  
 BRISTOL, INDIANA 46507

SCALE: NONE

FUNCTION DRAWING, MONITOR PANEL

DWG. NO. PAGE 2 OF 2  
 LA 1075-00

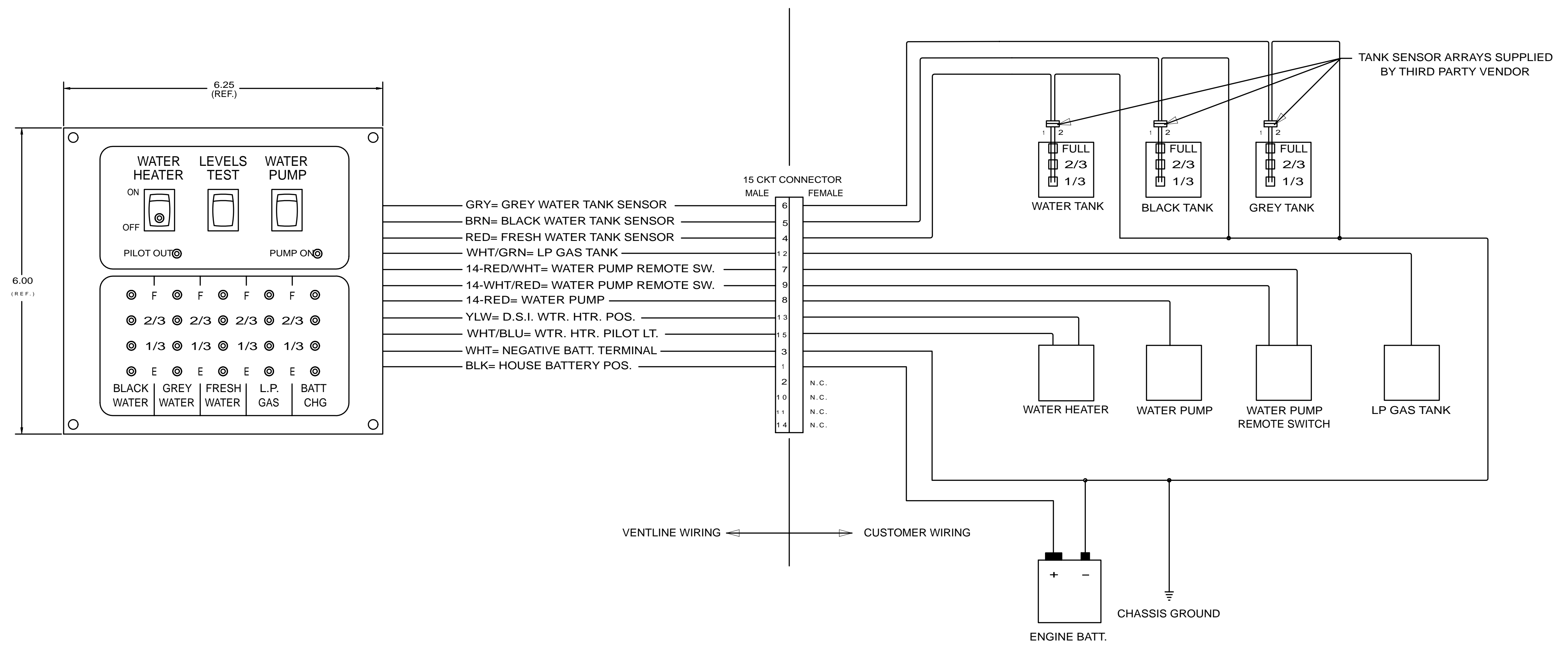
ENGLISH (TOLERANCE UNLESS SPECIFIED)  
 0 PL.: .040 1 PL.: .020  
 2 PL.: .010 3 PL.: .005  
 FRACTIONS: 1/64

FIRST USED	06 500 SERIES
TITLE:	DO NOT SCALE DRAWING
	PANEL-MONITOR
SHEET 12	PART NO 134940 REV

ECN	LTR.	DESCRIPTION	DATE	CHG. BY	CHK. BY
	a	RELEASE FOR QUOTE AND SAMPLE	04/26/07	MRH	MRH

LA1086-00  
PAGE 1 OF 2

CONFIDENTIAL  
THIS DOCUMENT, INCLUDING ALL INFORMATION CONTAINED HEREIN, IS THE EXCLUSIVE AND CONFIDENTIAL PROPERTY OF VENTLINE DIVISION OF TOMKINS INDUSTRIES INC. THE DOCUMENT AND INFORMATION ARE NOT TO BE COPIED, REPRODUCED OR DELIVERED TO OTHERS, IN WHOLE OR IN PART, WITHOUT THE EXPRESS WRITTEN PERMISSION OF VENTLINE. THE DOCUMENT IS TO BE RETURNED PROMPTLY TO VENTLINE AFTER HAVING SERVED THE PURPOSE FOR WHICH DELIVERED.  
©1995 VENTLINE DIVISION, TOMKINS INDUSTRIES, INC.  
All Rights Reserved, including the right to reproduce this document or any part thereof



- NOTES:
- UNLESS OTHERWISE SPECIFIED ALL WIRE IS 22 AWG.
  - REF. DWG.'S:  
HARNESS, INTERNAL & SWITCH= L7752-00  
PCB= L5131-02  
HARNESS, TEST= L7753-00  
TEST BOX= L8506-00
  - ALL PIGTAILS TO BE SUPPLIED BY CUSTOMER.
  - BEFORE PACKING, SECURE HARNESS WITH VD0169-00 TIE WRAP ON RIGHT SIDE POST.

© \*VISUALLY CHECK EACH PANEL FOR A RED CIRCUIT BOARD THAT IS THE SPECIFIED PART NUMBER\*

UNITS OF MEASURE: INCHES UNLESS SPECIFIED

TOLERANCE UNLESS OTHERWISE SPECIFIED	FRACTIONS = ± 1/16
0.0 = ± .020	
0.00 = ± .010	
0.000 = ± .005	ANGLES = ± 1°

PART NO.	REQ'D	MATERIAL	DESCRIPTION	DWG SIZE
BLANK SIZE		USED ON WINNEBAGO		
DRAWN	DATE	MATERIAL	SEE PAGE 2	
MRH	04/26/07		VENTLINE DIVISION OF PHILIPS BRISTOL, INDIANA 46507	
CHECKED	DATE	NAME	SCALE: NONE	DRAWING NO. PAGE 1 OF 2
MRH	04/26/07	FUNCTION DRAWING		
APPV'D	DATE	MONITOR PANEL		LA1086-00

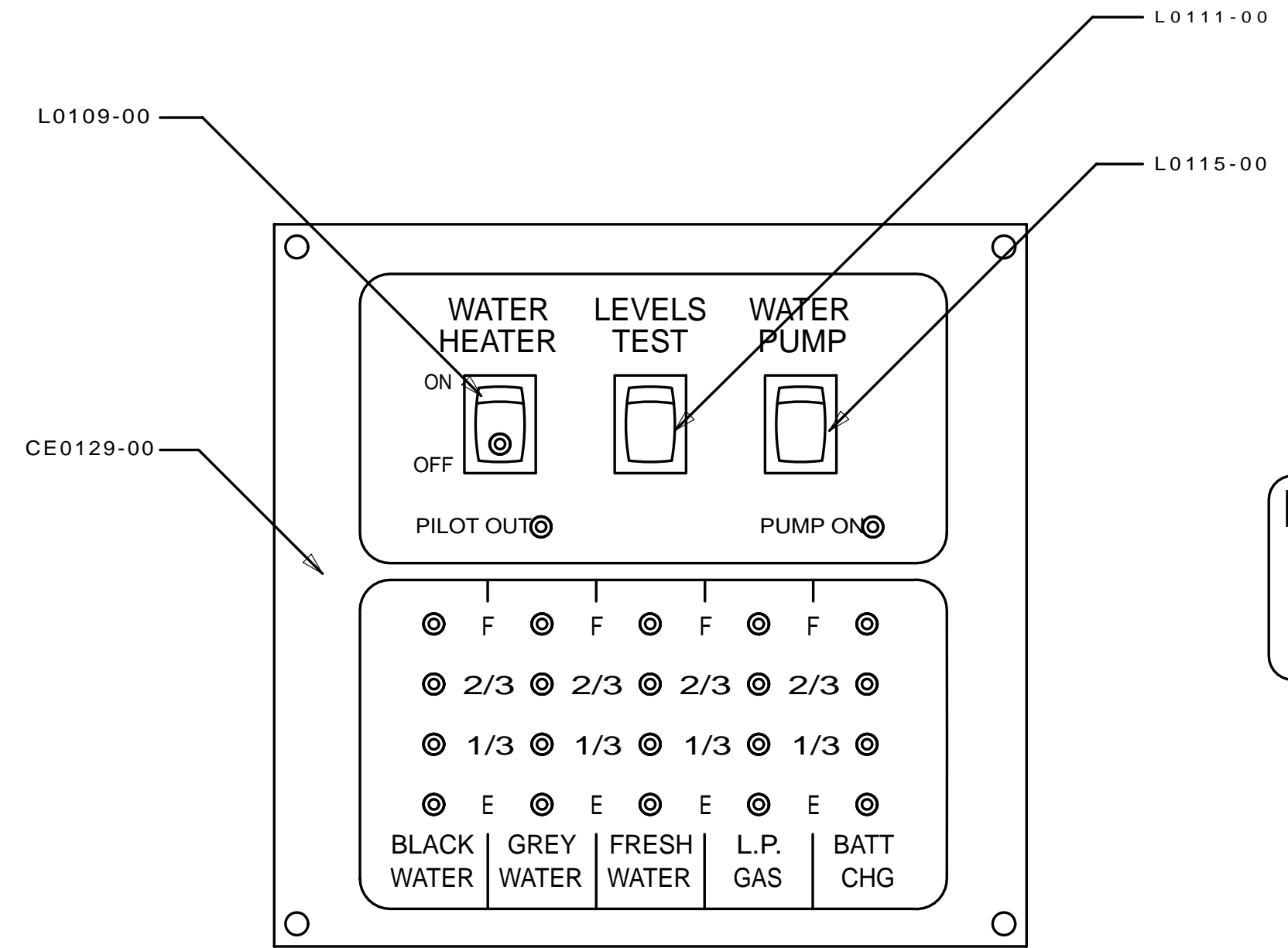
FIRST USED	300 & F SER	
TITLE:	DO NOT SCALE DRAWING	
TITLE:	PANEL-MONITOR 2-TANK	
SHEET 13	PART NO 134940	REV
	1	03-Jan-2013

CONFIDENTIAL  
 THIS DOCUMENT, INCLUDING ALL INFORMATION CONTAINED HEREIN, IS THE EXCLUSIVE AND CONFIDENTIAL PROPERTY OF VENTLINE DIVISION OF TOMKINS INDUSTRIES INC. THE DOCUMENT AND INFORMATION ARE NOT TO BE COPIED, REPRODUCED OR DELIVERED TO OTHERS, IN WHOLE OR IN PART, WITHOUT THE EXPRESS WRITTEN PERMISSION OF VENTLINE. THE DOCUMENT IS TO BE RETURNED PROMPTLY TO VENTLINE AFTER HAVING SERVED THE PURPOSE FOR WHICH DELIVERED.  
 ©1995 VENTLINE DIVISION, TOMKINS INDUSTRIES, INC.  
 All Rights Reserved, including the right to reproduce this document or any part thereof

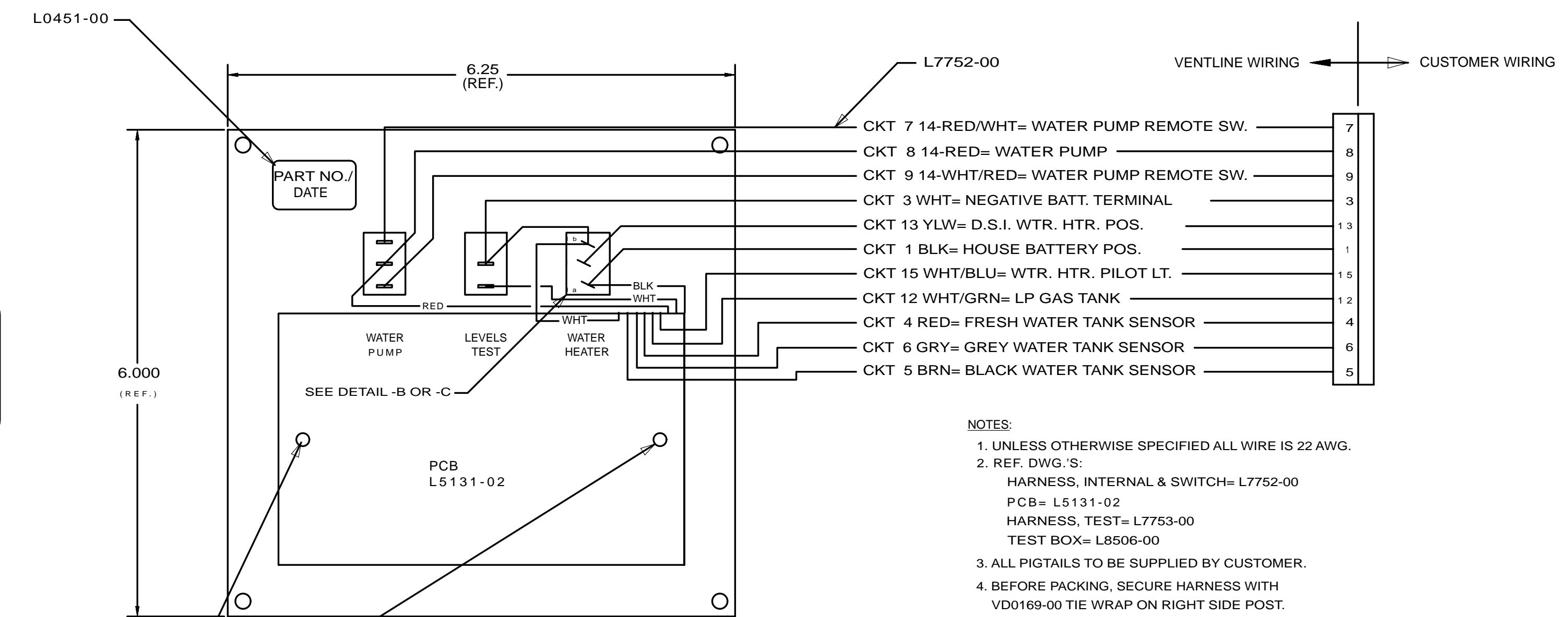
LA1086-00  
 PAGE 2 OF 2

ECN	LTR.	DESCRIPTION	DATE	CHG. BY	CHK BY
17148	REL	RELEASE TO PURCHASING & PRODUCTION	05/10/07	MRH	MRH

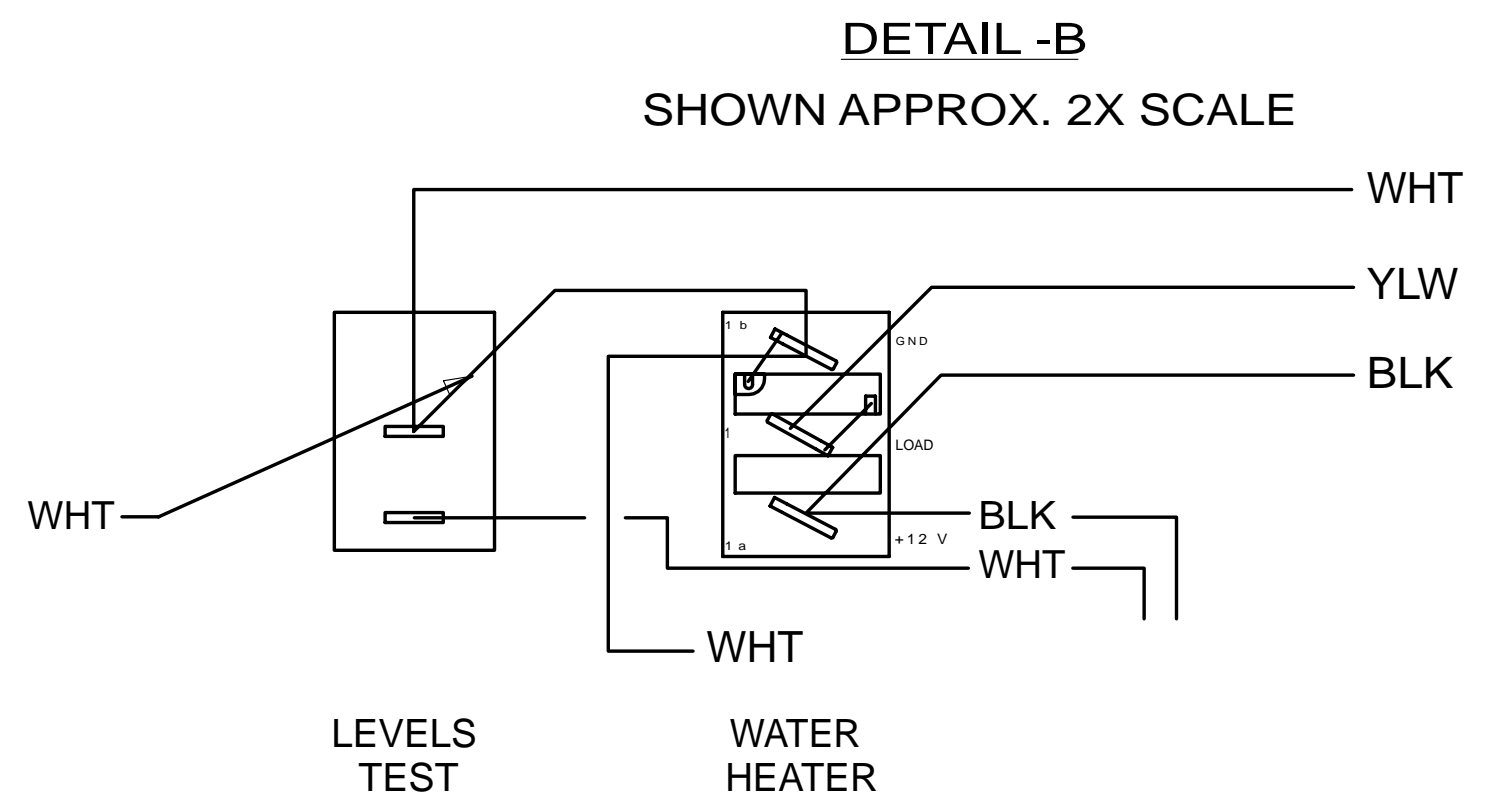
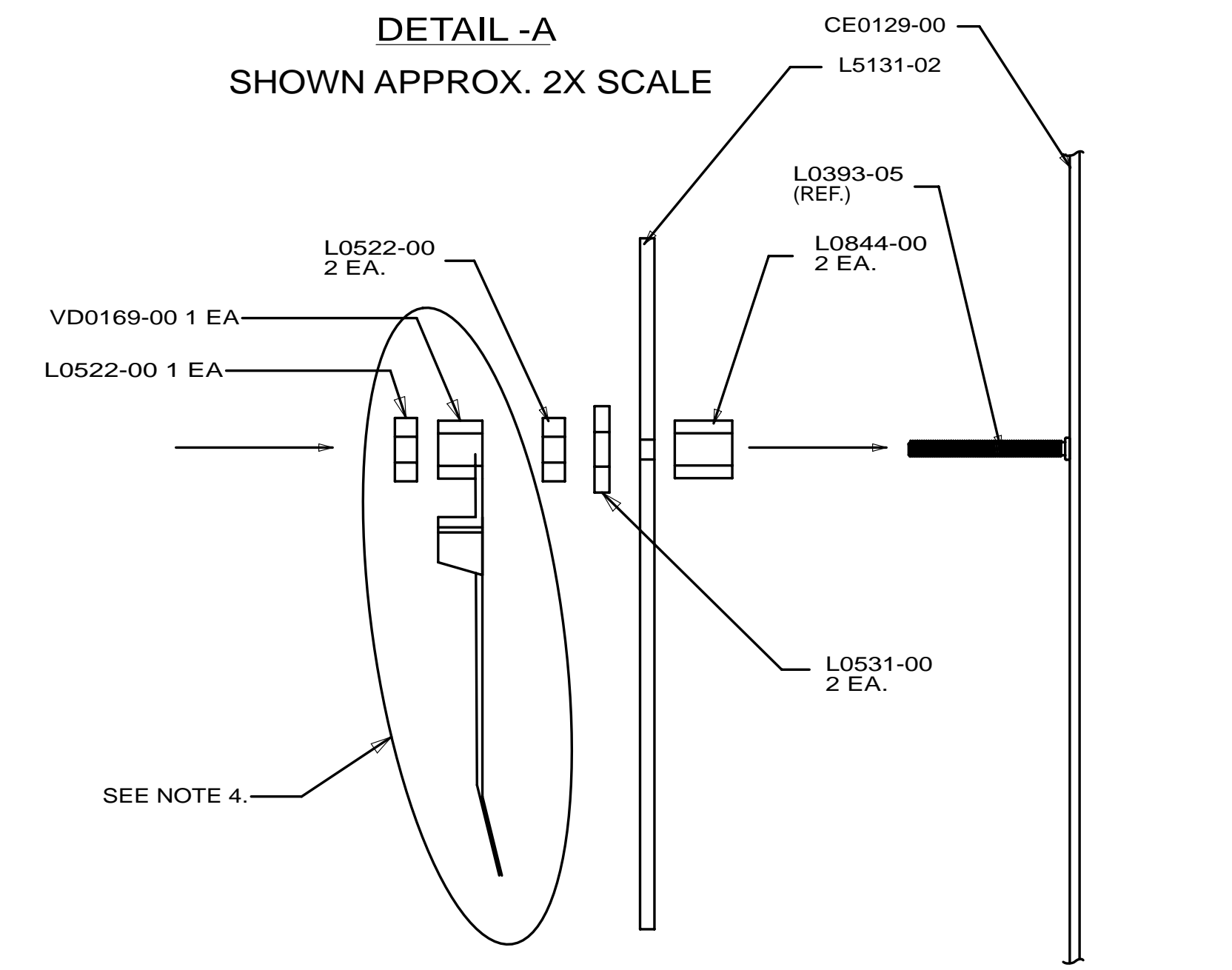
\*VISUALLY CHECK EACH PANEL FOR A RED CIRCUIT BOARD THAT IS THE SPECIFIED PART NUMBER\*



PRODUCT LABEL PRINTING DETAIL NO SCALE  
**LA1086-00**  
 FOR USE WITH NON-CONTACT SENSORS (MFG DATE)



- NOTES:  
 1. UNLESS OTHERWISE SPECIFIED ALL WIRE IS 22 AWG.  
 2. REF. DWG.'S:  
 HARNESS, INTERNAL & SWITCH= L7752-00  
 PCB= L5131-02  
 HARNESS, TEST= L7753-00  
 TEST BOX= L8506-00  
 3. ALL PIGTAILS TO BE SUPPLIED BY CUSTOMER.  
 4. BEFORE PACKING, SECURE HARNESS WITH VD0169-00 TIE WRAP ON RIGHT SIDE POST.



PART NO.	REQ'D	MATERIAL	DESCRIPTION	DWG SIZE
VD0169-00	1		TIE WRAP	
L7752-00	1		INTERNAL & SWITCH HARNESS	
L5131-02	1		PCB	
L0844-00	2		PCB SPACER	
L0531-00	2		FIBER WASHER	
L0522-00	3		HEX NUT, 6-32	
L0451-00	1		LABEL	
L0111-00	1		SW, SPST MOM. (ON)-OFF, BLK	
L0109-00	1		SW, SPST ON-OFF, BLK, GRN LT.	
L0115-00	1		SW, SPDT ON-ON, BLK	
CE0129-00	1		SILKSCREENED CHASSIS	

UNITS OF MEASURE: INCHES UNLESS SPECIFIED  
 TOLERANCE UNLESS OTHERWISE SPECIFIED  
 0.0 = ± .020 FRACTIONS = ± 1/16  
 0.00 = ± .010 ANGLES = ± 1°  
 0.000 = ± .005

BLANK SIZE USED ON WINNEBAGO  
 DRAWN DATE MRH 04/26/07 MATERIAL SEE BOM  
 CHECKED DATE MRH 04/26/07 NAME  
 APPV'D DATE  
**FUNCTION DRAWING MONITOR PANEL**  
 SCALE: NONE  
 DRAWING NO. PAGE 2 OF 2  
**LA1086-00**

FIRST USED	300 & F SER
TITLE:	DO NOT SCALE DRAWING
	PANEL-MONITOR 2-TANK
SHEET 14	PART NO 134940 REV