

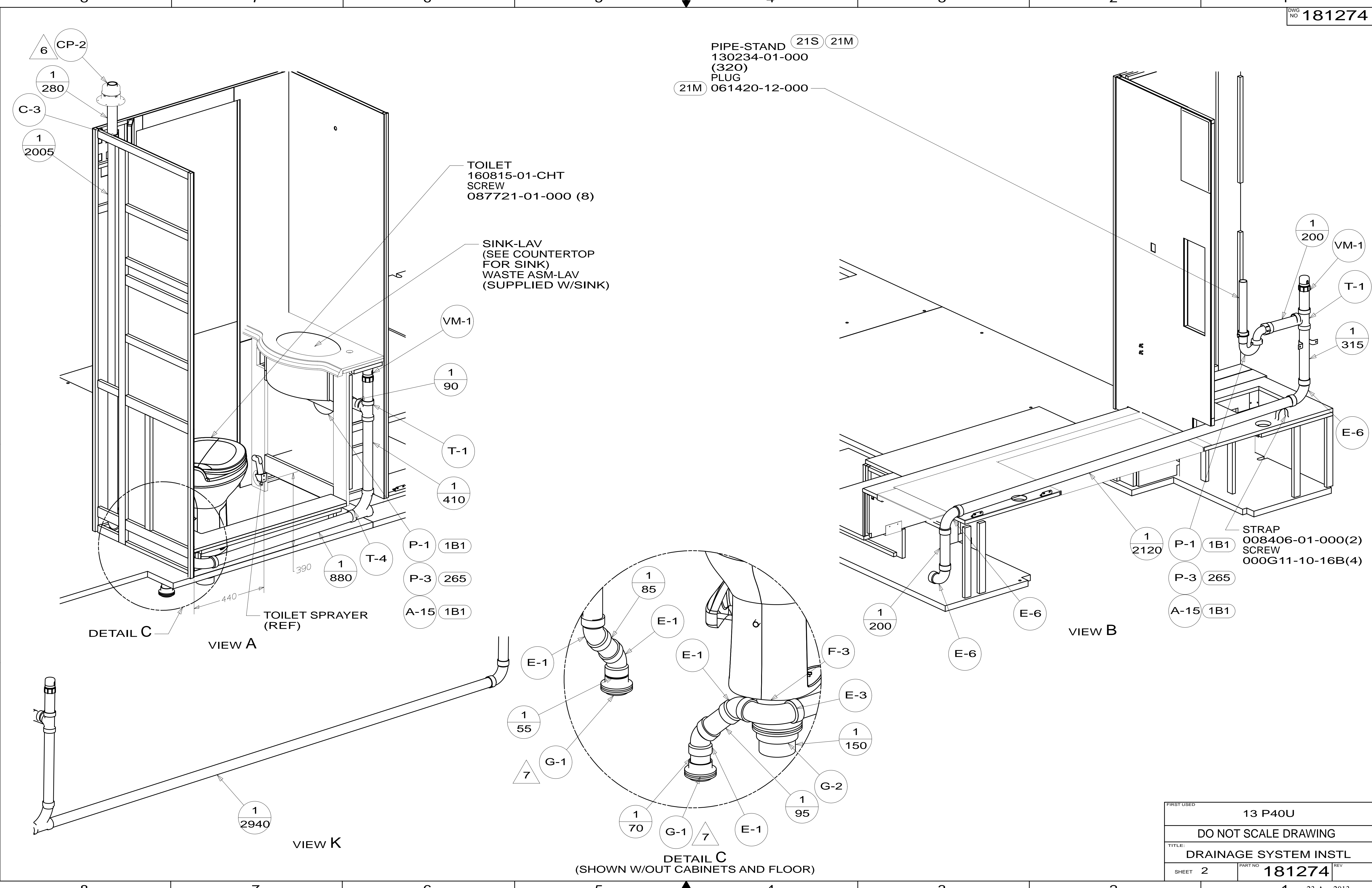
- NOTES:
- 9 APPLY PRIMER 126427-02-000 AND CEMENT 126427-01-000 BETWEEN ELBOW AND FLEX PIPE.
 8. SECURE DRAINAGE PIPES TO CABINET USING WIRE TIE 108046-02-000, AND SCREW 000G67-10-12U AT INTERVALS OF NOT MORE THAN 4 FEET APART.
 - 7 SECURE VENT PIPE TO GROMMET WITH CABLE TIE 062401-02-000.
 - 6 VENT PIPE MUST PROJECT 51 MIN AND 64 MAX ABOVE ROOF FOR PROPER FIT AND FUNCTION. ADD S-1 (116666-01-CHT SEAL-VENT PIPE) AROUND PIPE ON ROOF BEFORE VENT CAP IS INSTALLED.
 5. SEAL AROUND SHOWER WITH SILICONE.
 - 4 USE SMOOTH PLUMBERS PUTTY 167459-01-000 TO SEAL STRAINER (0.2 PER STRAINER).
 3. ALL PIPE AND FITTINGS TO BE ASSEMBLED WITH SOLVENT 004020-01-000 (USA), 004020-02-000 (CAN)
 2. SLOPE OF TRAP ARM MUST BE 6 PER 305 mm.
 1. SLOPE OF HORIZONTAL PIPING TO BE MINIMUM OF 3 PER 305 mm.

- 1B1 CODES/STANDARDS USA
- 265 CODES/STANDARDS-CSA/CMVSS
- 21S WASHER & DRYER-PAIR
- 21M WASHER/DRYER PREP

| | | | |
|------------------------------|------------|--|-----|
| | | COPYRIGHT 2013 WINNEBAGO INDUSTRIES, INC. | |
| DFT-ORIG | ORIG. DATE | ALL DIMENSIONS ARE IN MILLIMETERS | |
| CHKR | | | |
| P.E. | | | |
| M.E. | FIRST USED | | |
| DSNR | | 13 P40U | |
| UNSPECIFIED TOLERANCES ARE: | | MATERIAL: | |
| WHOLE DIM (X) | : 3 | | |
| ONE-PLACE (X.X) | : 1.5 | | |
| TWO-PLACE (X.XX) | : 0.50 | | |
| ANGLE | : 1° | | |
| THIRD ANGLE PROJECTION | | | |
| DO NOT SCALE DRAWING | | REFER TO ES0018 FOR FASTENER TIGHTENING GUIDELINES | |
| TITLE: DRAINAGE SYSTEM INSTL | | | |
| SHEET 1 OF 4 | PART NO | 181274 | REV |
| REF: | 1 | 23-Apr-2013 | |

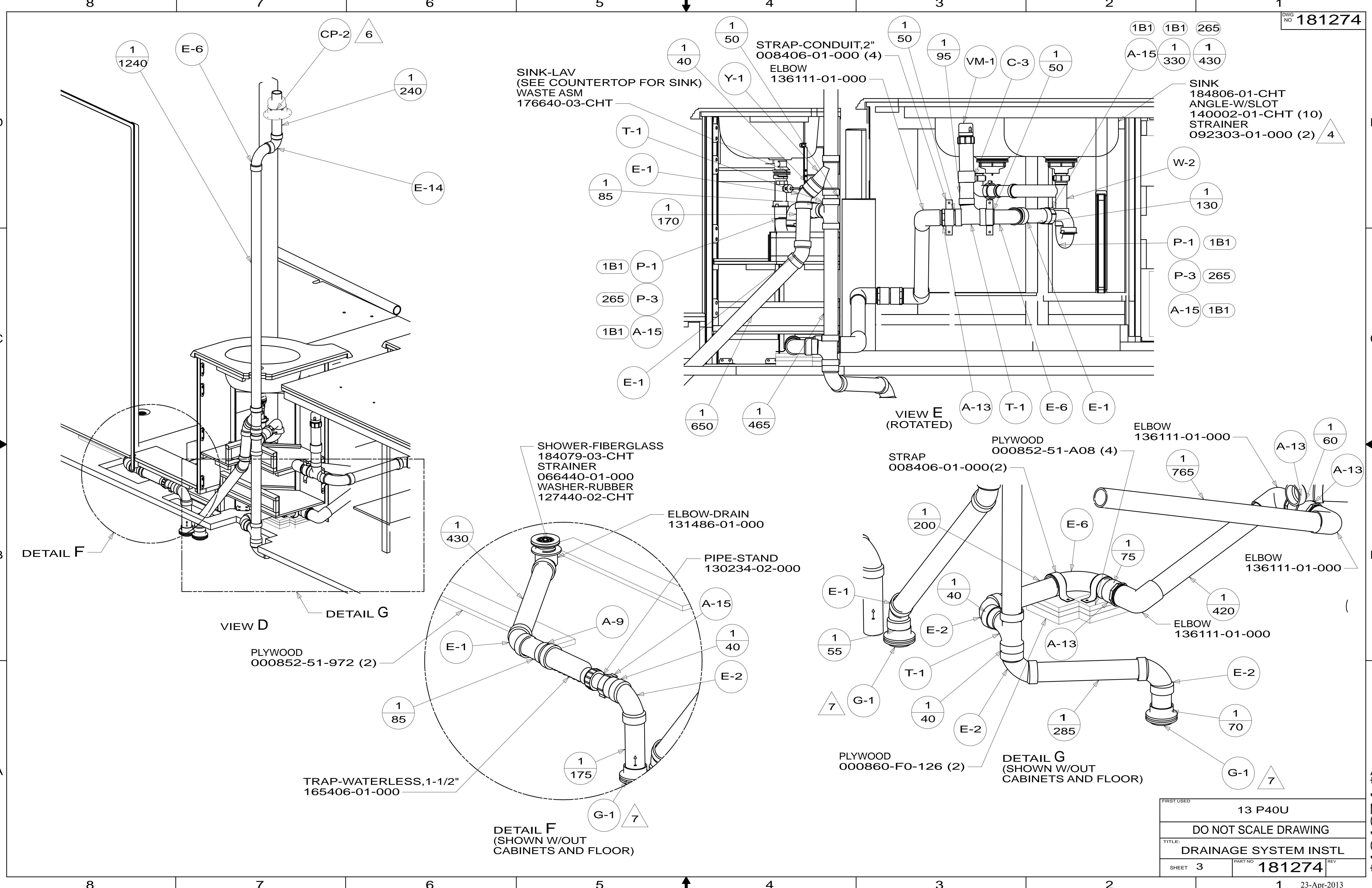
FOR DRAINAGE CALLOUTS SEE DWG NO 116229-01-000

* 181274 *



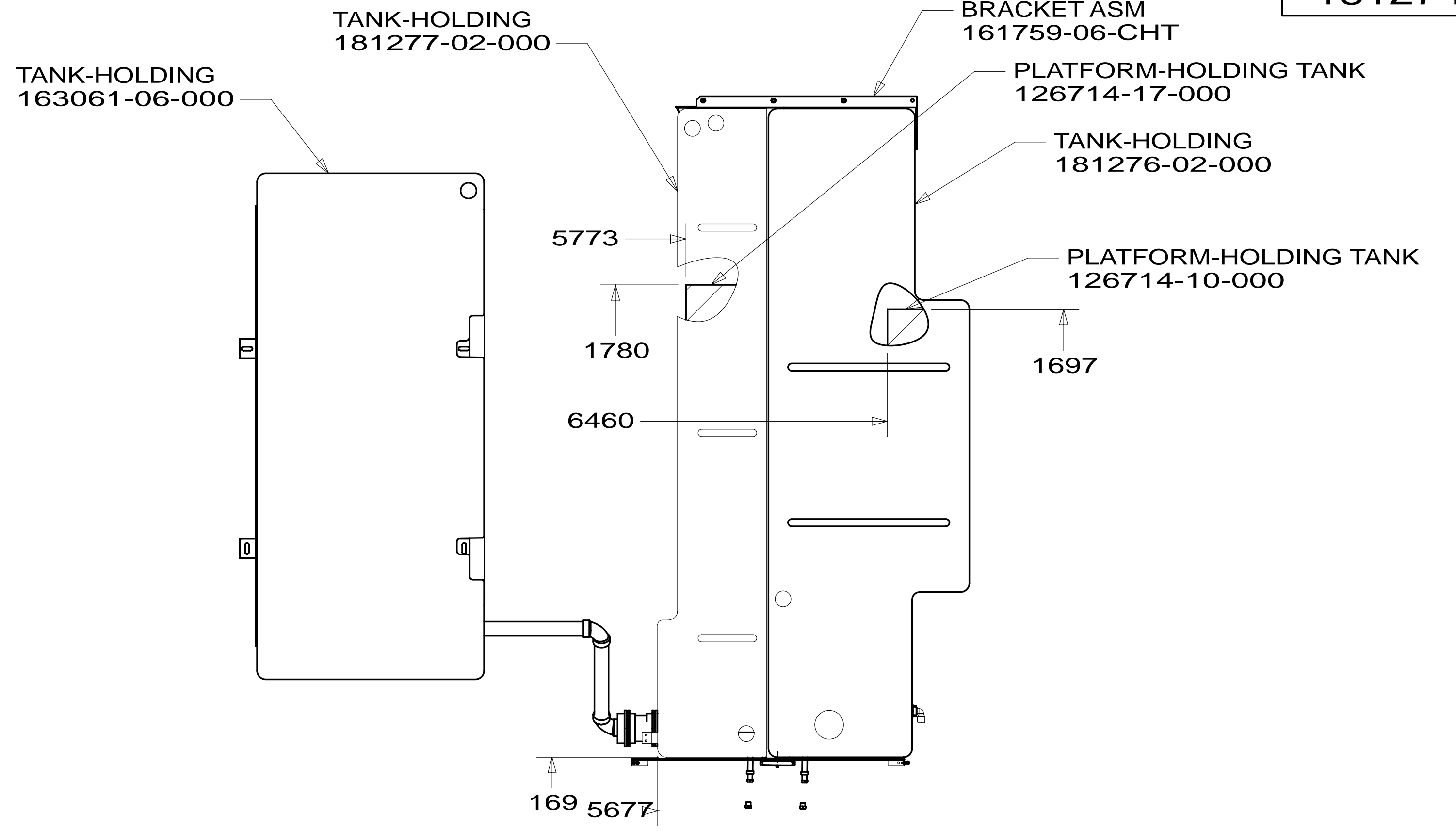
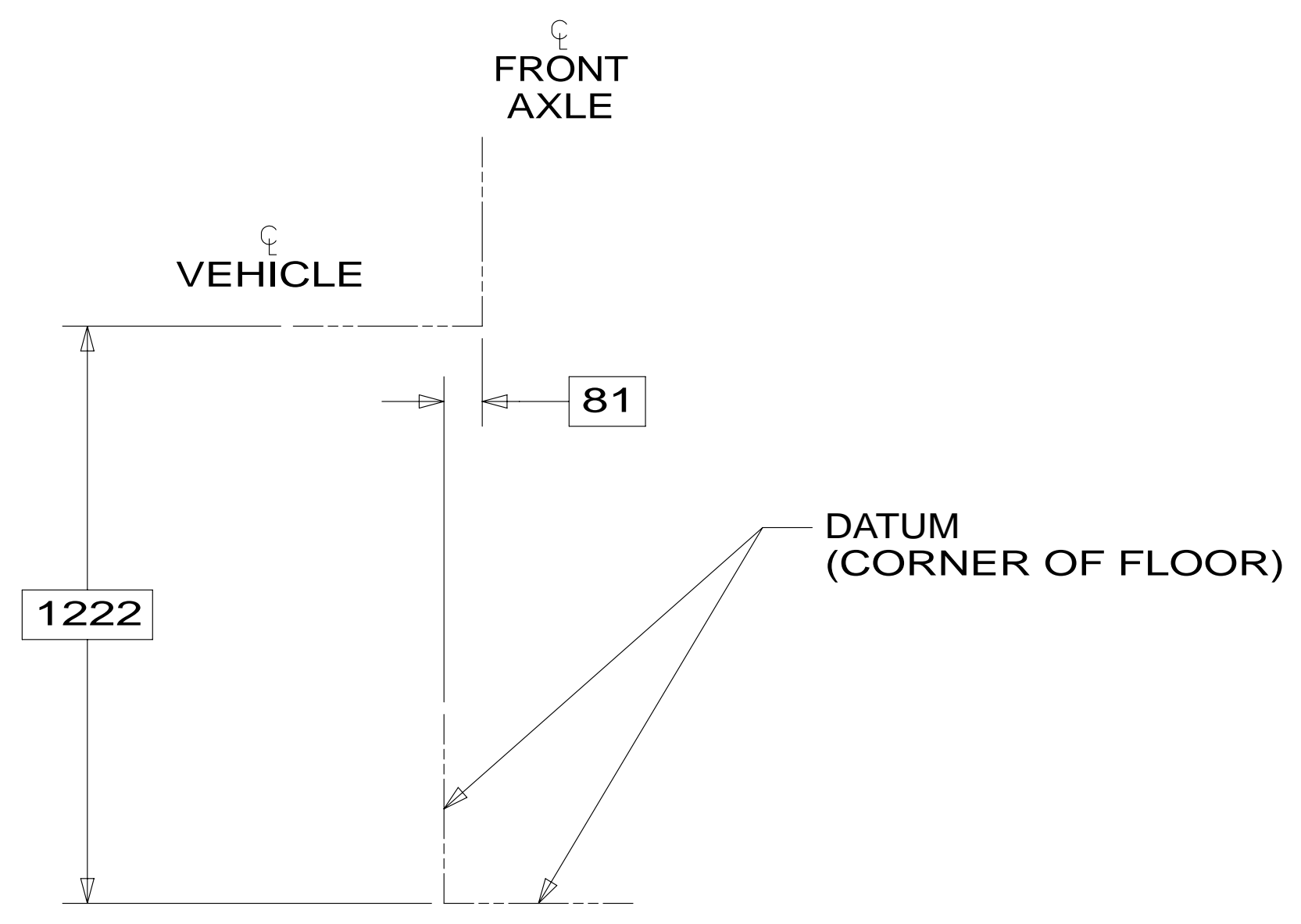
| | | |
|------------|-----------------------|-------------|
| FIRST USED | 13 P40U | |
| TITLE: | DO NOT SCALE DRAWING | |
| | DRAINAGE SYSTEM INSTL | |
| SHEET 2 | PART NO 181274 | REV |
| | | 23-Apr-2013 |

*181274 *A

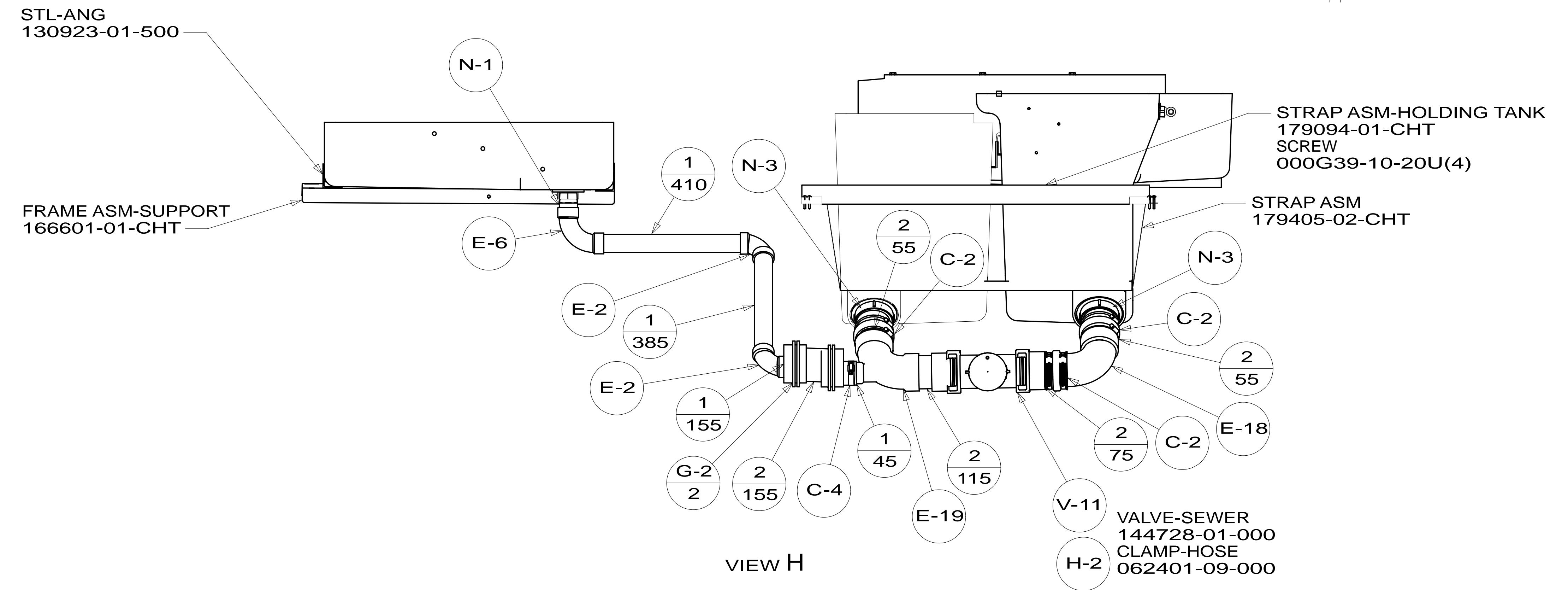


| | | |
|------------------------------|----------------|-----|
| FIRST USED | 13 P40U | |
| DO NOT SCALE DRAWING | | |
| TITLE: DRAINAGE SYSTEM INSTL | | |
| SHEET 3 | PART NO 181274 | REV |
| 23-Apr-2013 | | |

*181274 *A

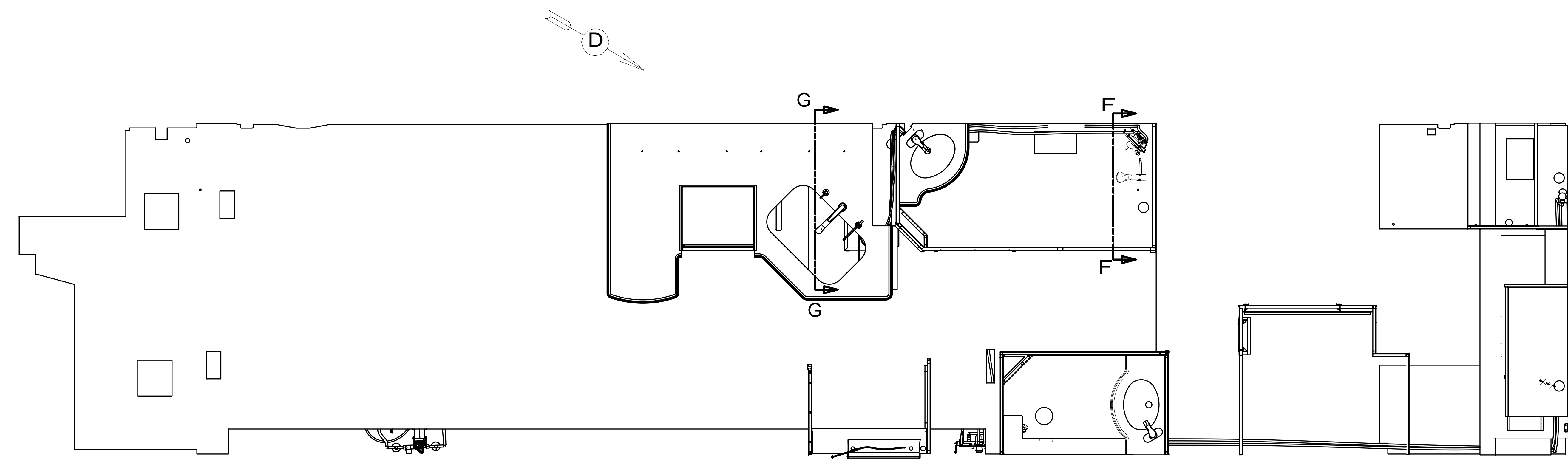


SHOWING ONLY DRAINS AND TANKS



| | | |
|------------|-----------------------|-------------|
| FIRST USED | 13 P40U | |
| TITLE: | DO NOT SCALE DRAWING | |
| TITLE: | DRAINAGE SYSTEM INSTL | |
| SHEET 4 | PART NO 181274 | REV |
| | | 23-Apr-2013 |

*181274 *A



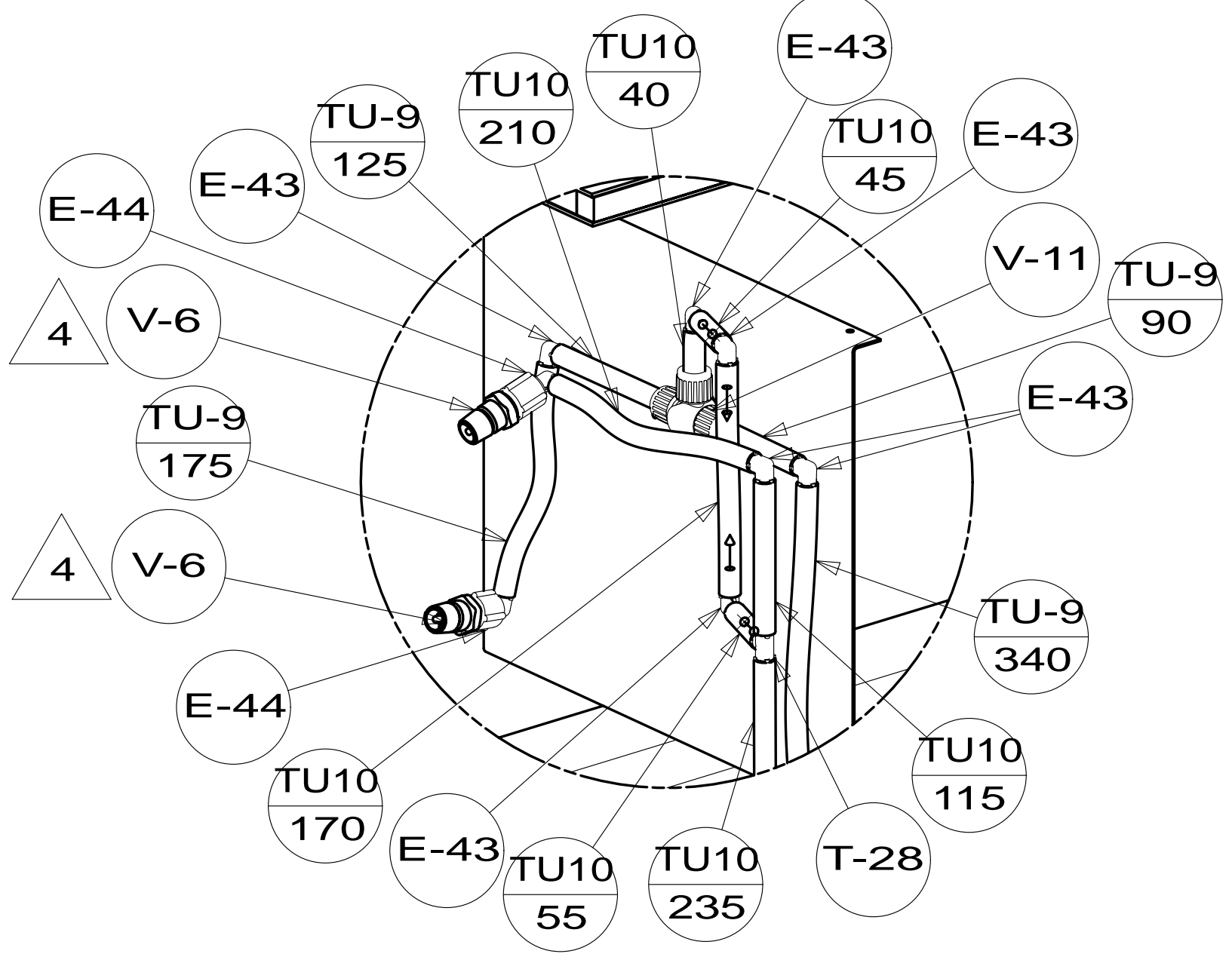
- NOTES:
1. PLASTIC FITTINGS TO BE SEALED WITH SEALANT 084456-01-000.
 2. TUBING TO BE INSTALLED WITH SUFFICIENT SLOPE TO PROVIDE DRAINAGE TO NEAREST VALVE.
 3. ALL TUBING TO BE SECURED AT 1200 INTERVALS MAXIMUM WITH CLAMP 010495-01-000 AND SCREW 000G67-10-12U OR EQUIVALENT.
 4. ADD TEFLON TAPE 010405-02-000.
 5. ADD PIPE WRAP (LADDER SCRAP 110157-02-000) INSULATION.
 6. LABEL HOT AND COLD SUPPLY TUBES AND TAPE FITTING TO TUBE BEFORE CABINET SET TO PREVENT MOVEMENT.
 7. ALL CRIMP FITTINGS TO 5/8" PEX TUBING REQUIRE 5/8" CLAMP 140171-04-000.
 8. ALL CRIMP FITTINGS TO 1/2" PEX TUBING REQUIRE 1/2" CLAMP 140171-03-000.
 9. VALVE MUST REMAIN OPEN AFTER WATER TEST.
 10. WIRE TIE WATER LINES W/FLEXIBLE DRAIN LINE.
 11. INSTALL FAUCET WITHOUT BASE PLATE.
 12. CLAMP ICEMAKER LINE TO SIDEWALL, AWAY FROM BURNER BOX ON REFRIGERATOR.

- (15L) REFR/FZR 2DOOR RESIDENTIAL
- (79W) REFRIGERATOR-4 DOOR
- (WIN) WINNEBAGO ONLY
- (ITA) ITASCA ONLY

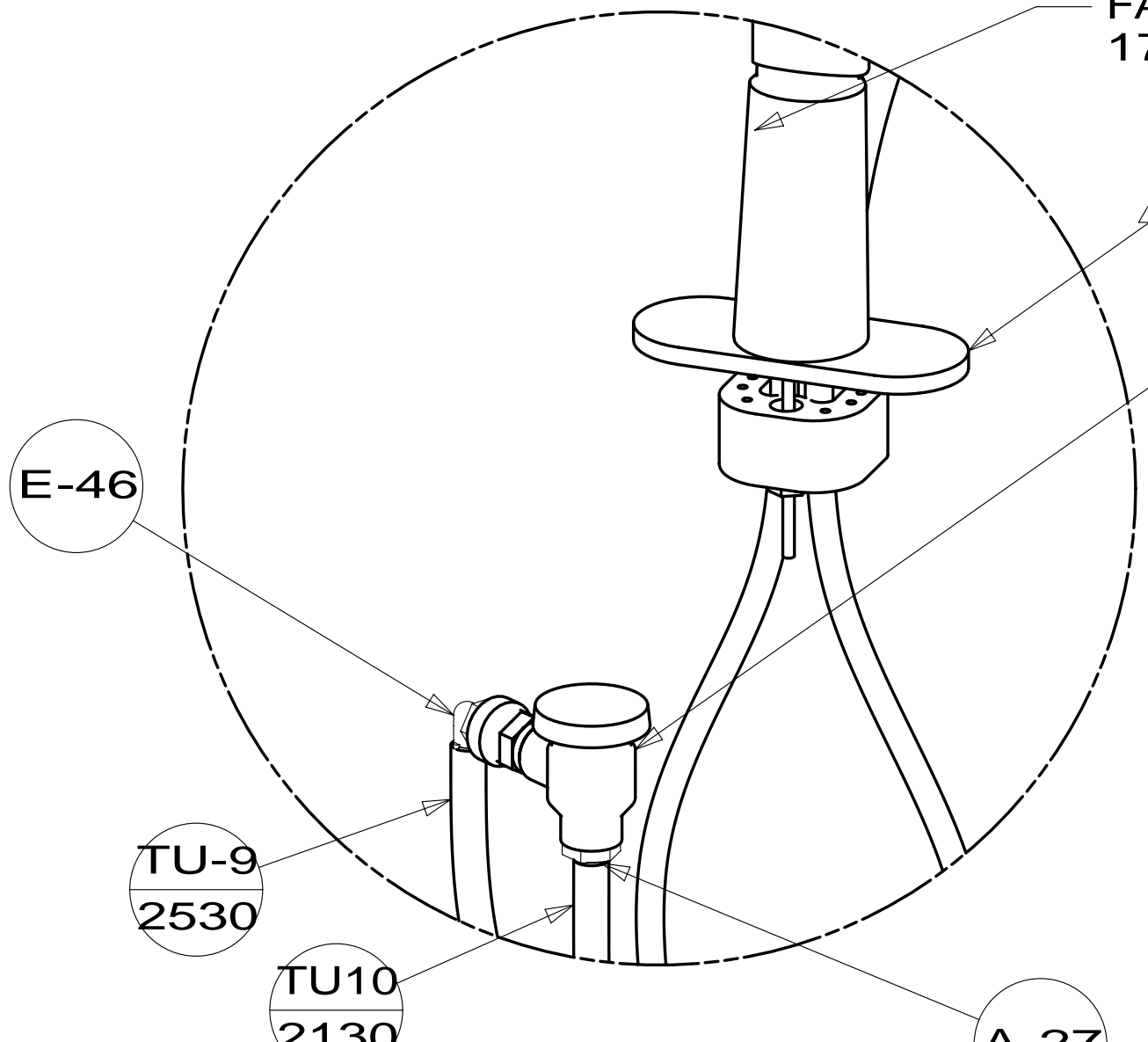
| | | |
|------------------------------|--------------------------------------|---|
| | | COPYRIGHT 2013 WINNEBAGO INDUSTRIES, INC. |
| DFT-ORIG | ORIG. DATE | |
| CHKR | ALL DIMENSIONS ARE IN MILLIMETERS | |
| P.E. | | |
| M.E. | FIRST USED | |
| DSNR | 13 P40U | |
| UNSPECIFIED TOLERANCES ARE: | | MATERIAL: |
| WHOLE DIM (X) | : 3 | |
| ONE-PLACE (X.X) | : 1.5 | |
| TWO-PLACE (X.XX) | : 0.50 | |
| ANGLE | : 1° | |
| THIRD ANGLE PROJECTION | | |
| DO NOT SCALE DRAWING | | REFER TO ES0018 FOR FASTENER TIGHTENING GUIDELINES |
| TITLE: WATER SYSTEM INSTL | | |
| SHEET 1 OF 4 | PART NO | 181273 |
| REF: | 1 | 13-Mar-2013 |

FOR
WATER
CALLOUTS
SEE DWG NO
116230-01-000

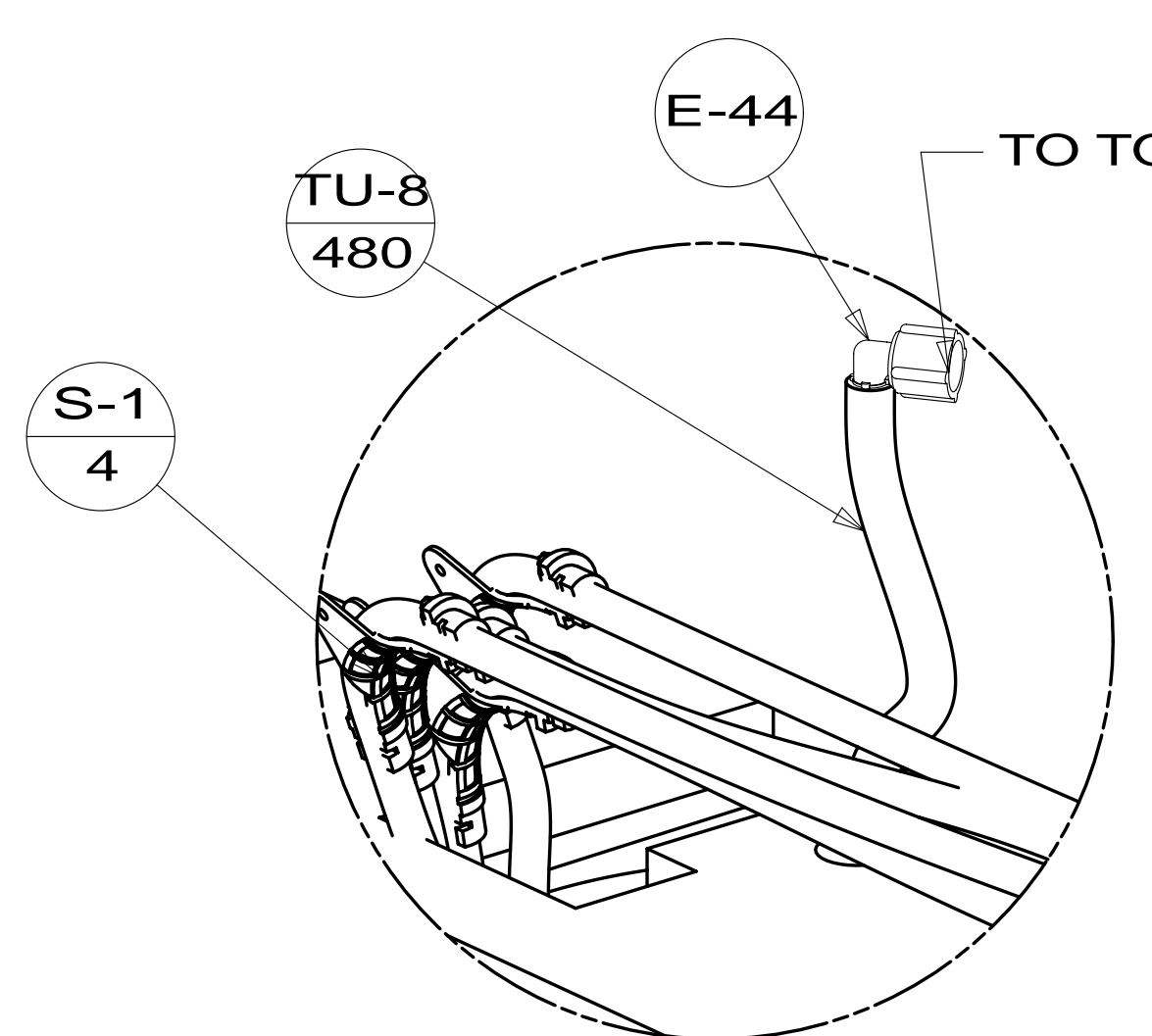
* 181273 * A



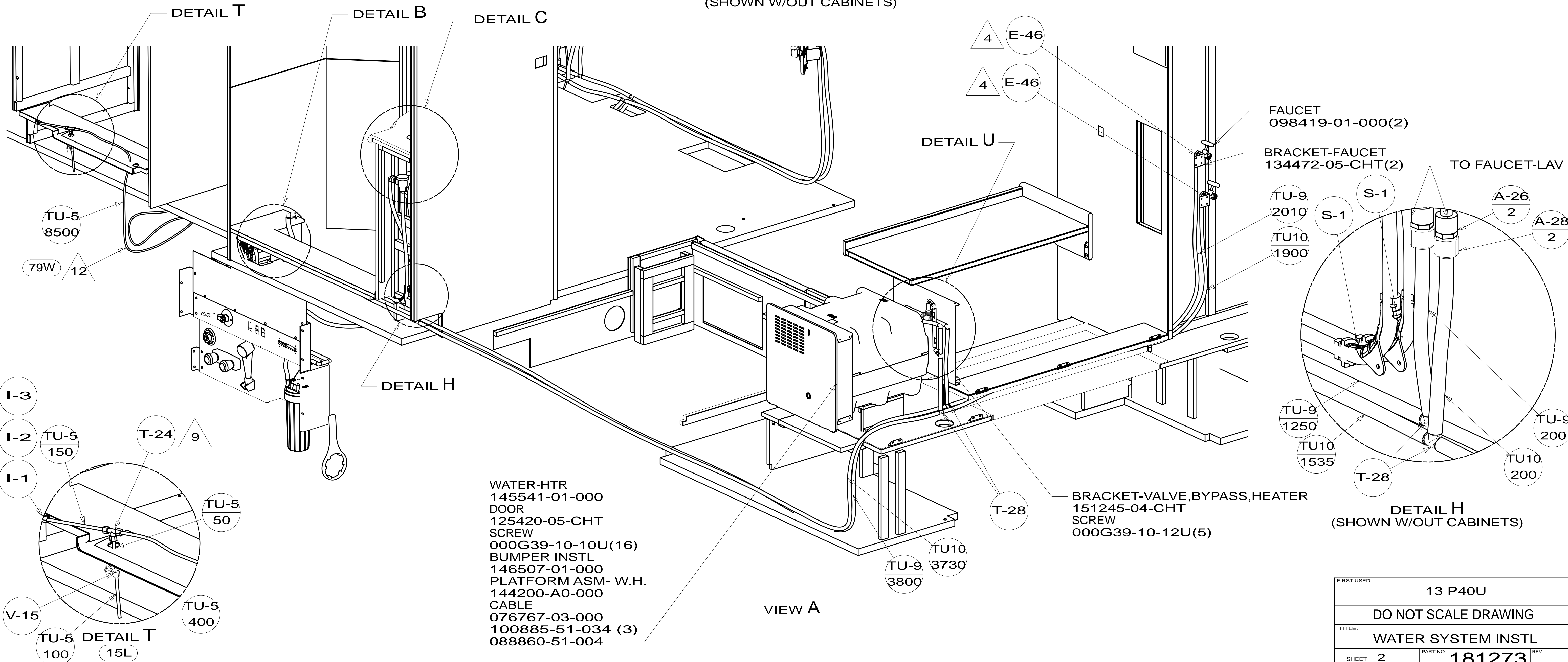
DETAIL U



DETAIL C
(SHOWN W/OUT CABINETS)



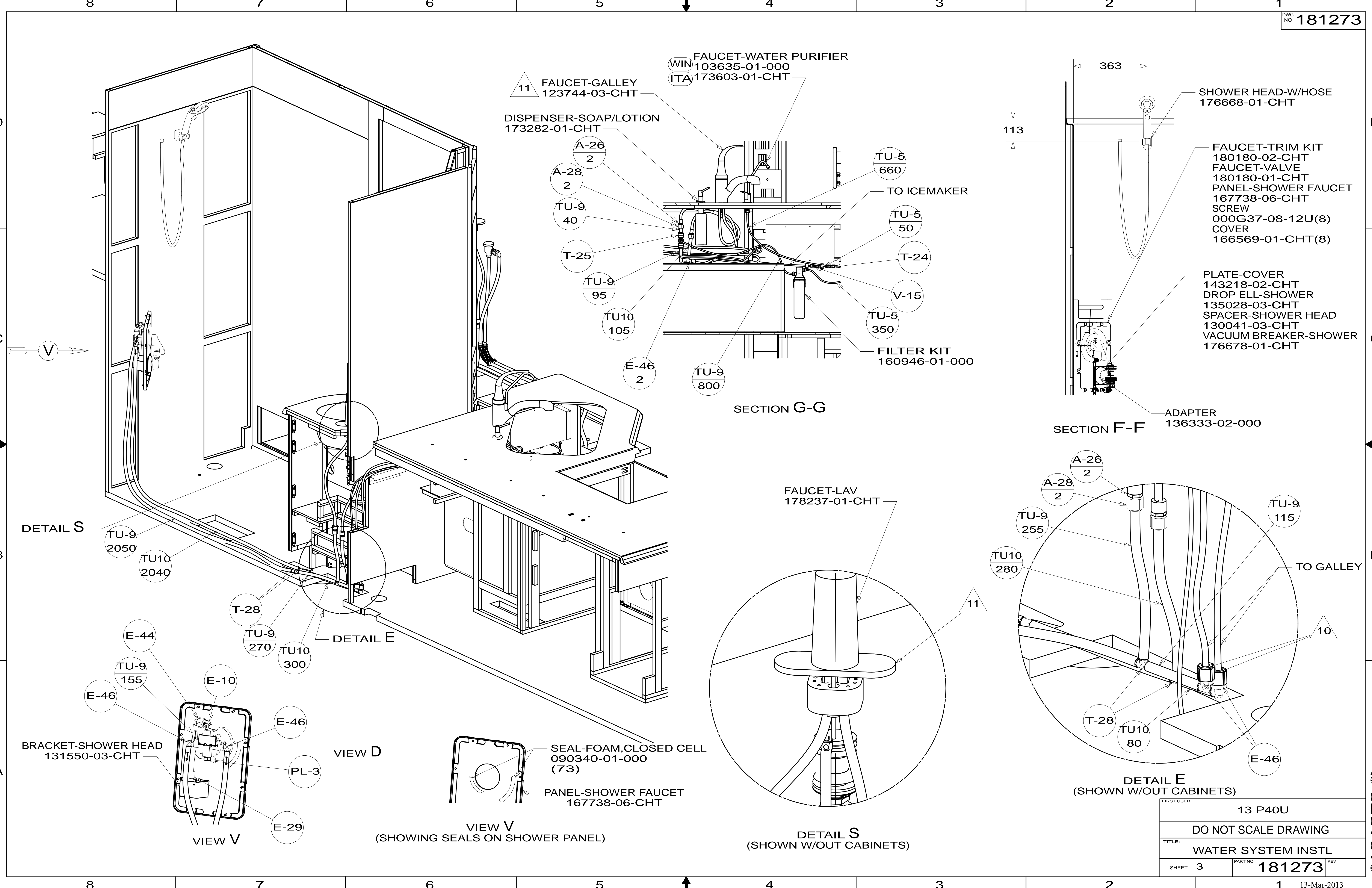
DETAIL B
(SHOWN W/OUT CABINETS)



VIEW A

| | | |
|----------------------|--------------------|--------|
| FIRST USED | 13 P40U | |
| DO NOT SCALE DRAWING | | |
| TITLE: | WATER SYSTEM INSTL | |
| SHEET 2 | PART NO | 181273 |
| | | REV |

*181273 * A



FAUCET-WATER PURIFIER
 WIN 103635-01-000
 ITA 173603-01-CHT

11 FAUCET-GALLEY
 123744-03-CHT

DISPENSER-SOAP/LOTION
 173282-01-CHT

A-26
 2

A-28
 2

TU-9
 40

T-25

TU-9
 95

TU10
 105

E-46
 2

TU-9
 800

TU-5
 660

TO ICEMAKER

TU-5
 50

T-24

V-15

TU-5
 350

FILTER KIT
 160946-01-000

SECTION G-G

363
 113
 SHOWER HEAD-W/HOSE
 176668-01-CHT

FAUCET-TRIM KIT
 180180-02-CHT
 FAUCET-VALVE
 180180-01-CHT
 PANEL-SHOWER FAUCET
 167738-06-CHT
 SCREW
 000G37-08-12U(8)
 COVER
 166569-01-CHT(8)

PLATE-COVER
 143218-02-CHT
 DROP ELL-SHOWER
 135028-03-CHT
 SPACER-SHOWER HEAD
 130041-03-CHT
 VACUUM BREAKER-SHOWER
 176678-01-CHT

ADAPTER
 136333-02-000

SECTION F-F

FAUCET-LAV
 178237-01-CHT

A-26
 2
 A-28
 2
 TU-9
 115
 TU-9
 255
 TU10
 280
 TO GALLEY
 TU-9
 115
 TU10
 80
 E-46

DETAIL E
 (SHOWN W/OUT CABINETS)

DETAIL S
 TU-9
 2050
 TU10
 2040

T-28

TU-9
 270

TU10
 300

DETAIL E

E-44

TU-9
 155

E-46

BRACKET-SHOWER HEAD
 131550-03-CHT

E-10

E-46

PL-3

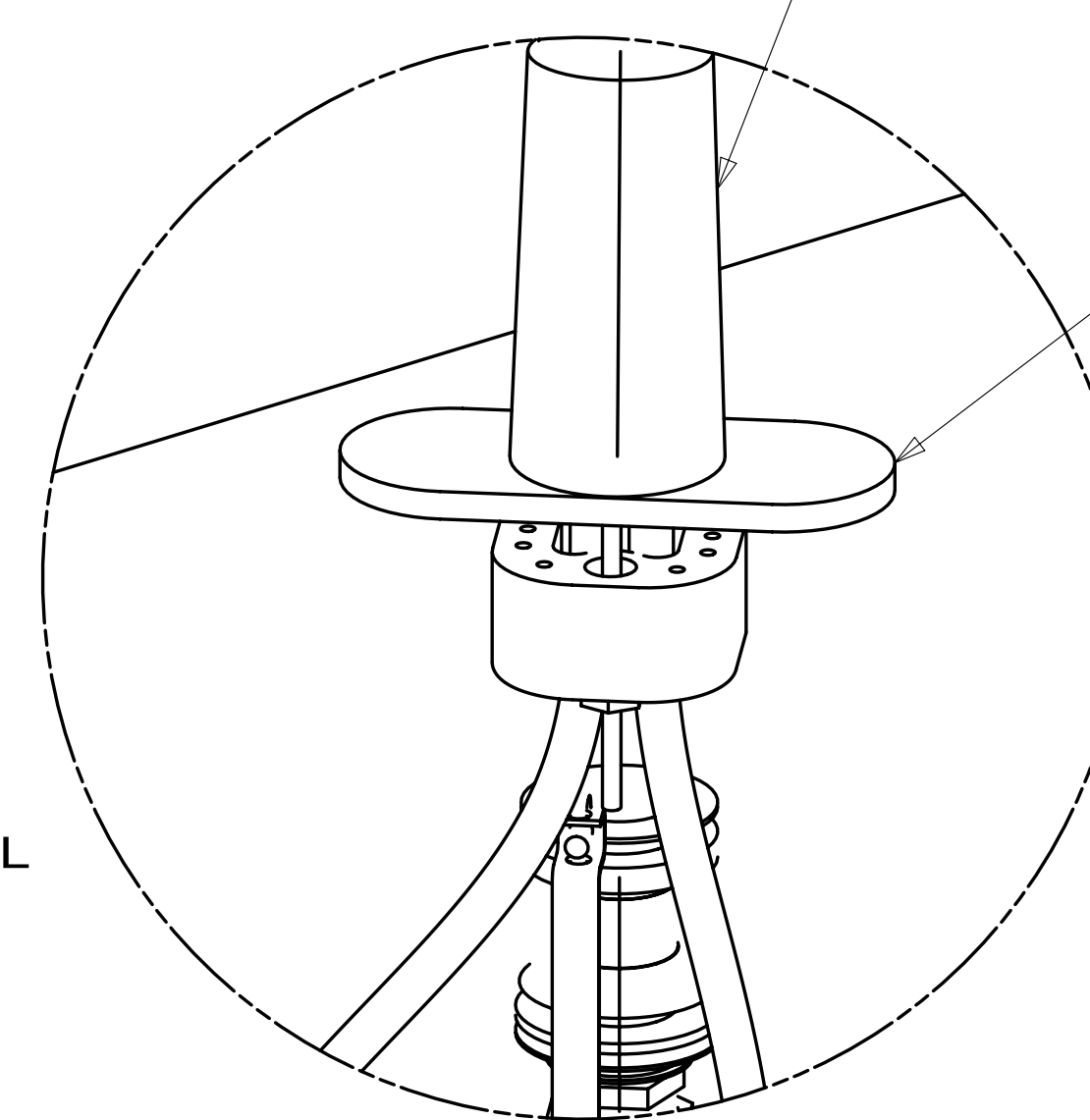
E-29

VIEW D

SEAL-FOAM,CLOSED CELL
 090340-01-000
 (73)

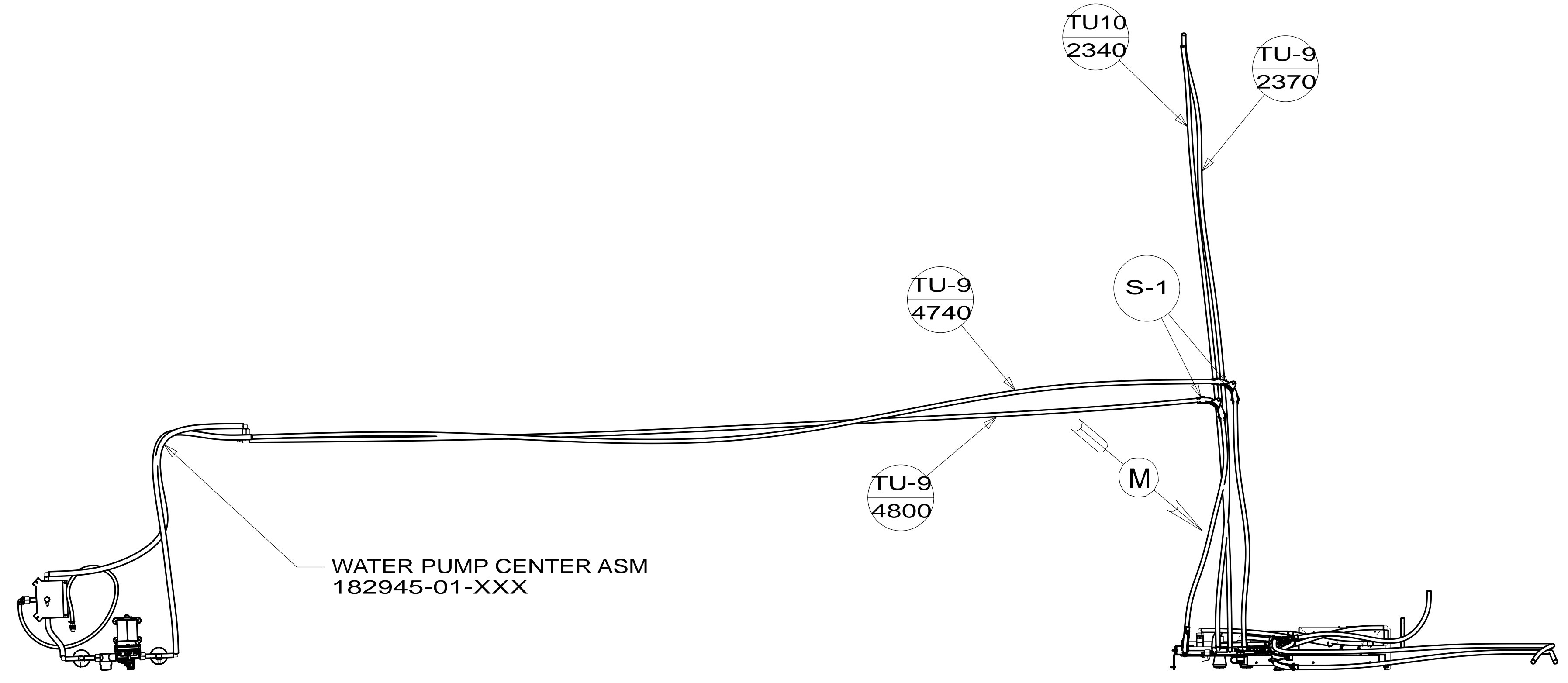
PANEL-SHOWER FAUCET
 167738-06-CHT

VIEW V
 (SHOWING SEALS ON SHOWER PANEL)

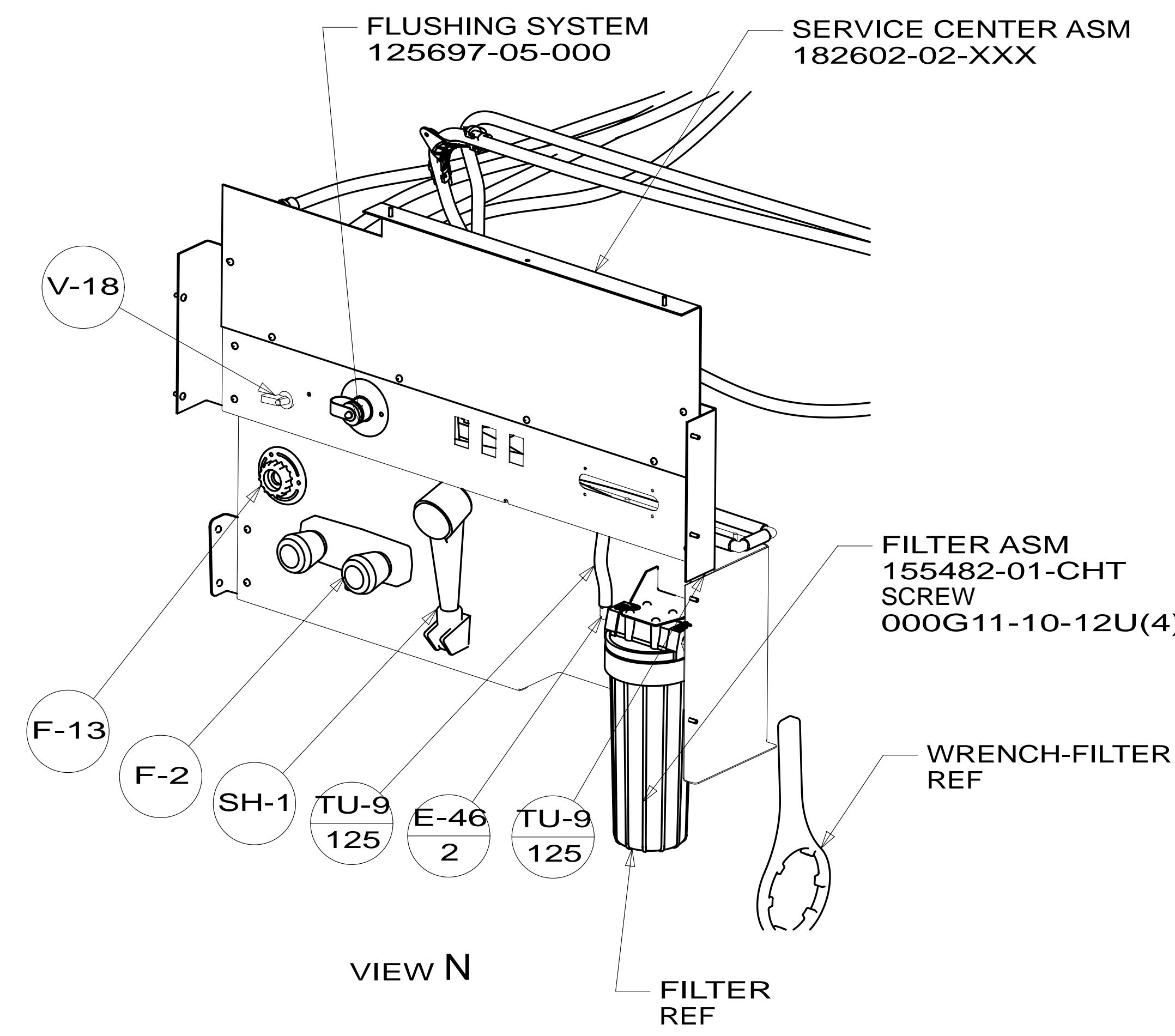


| | |
|-------------|----------------------|
| FIRST USED | 13 P40U |
| TITLE: | DO NOT SCALE DRAWING |
| SHEET 3 | PART NO 181273 REV |
| 13-Mar-2013 | |

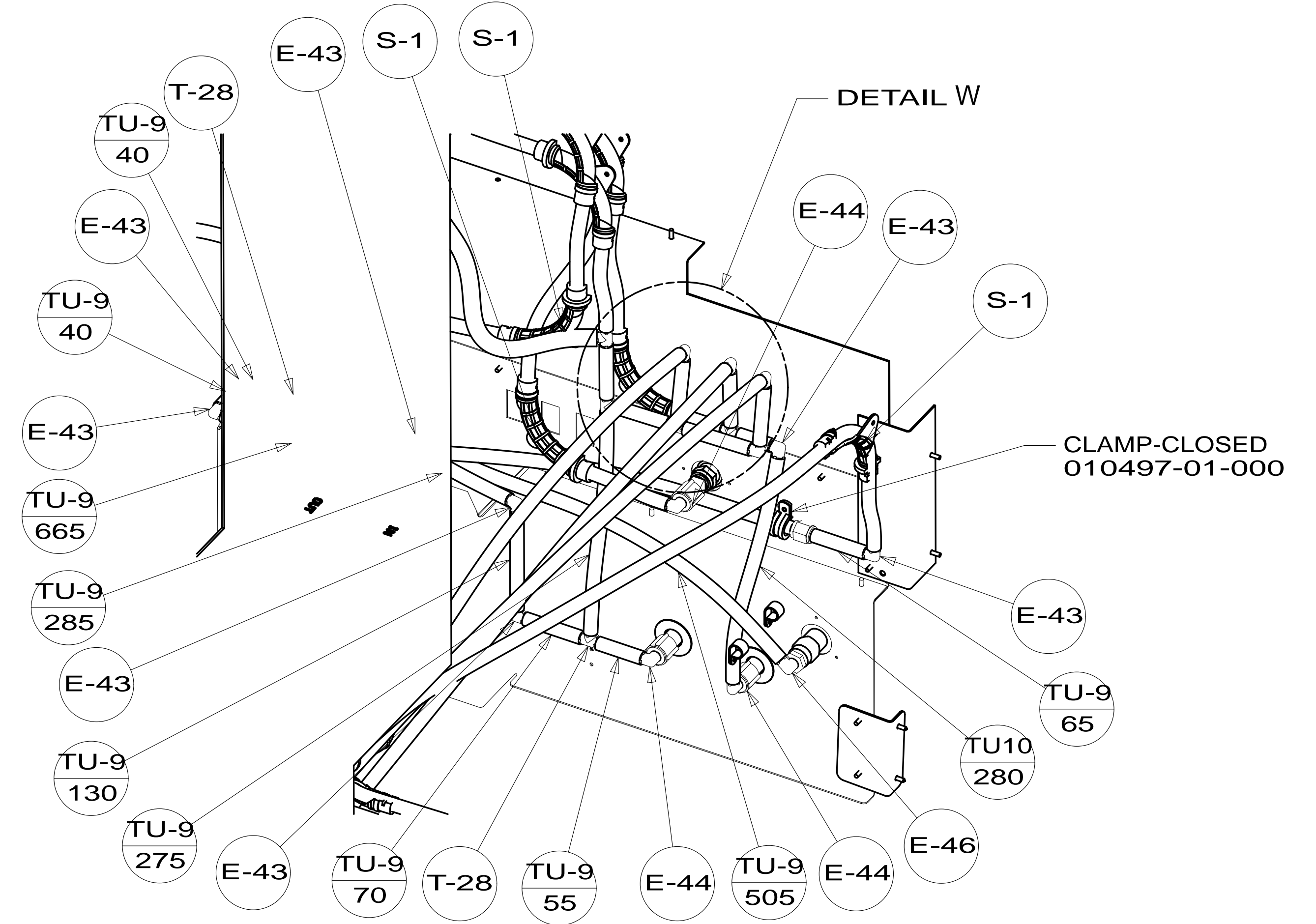
*181273 *A



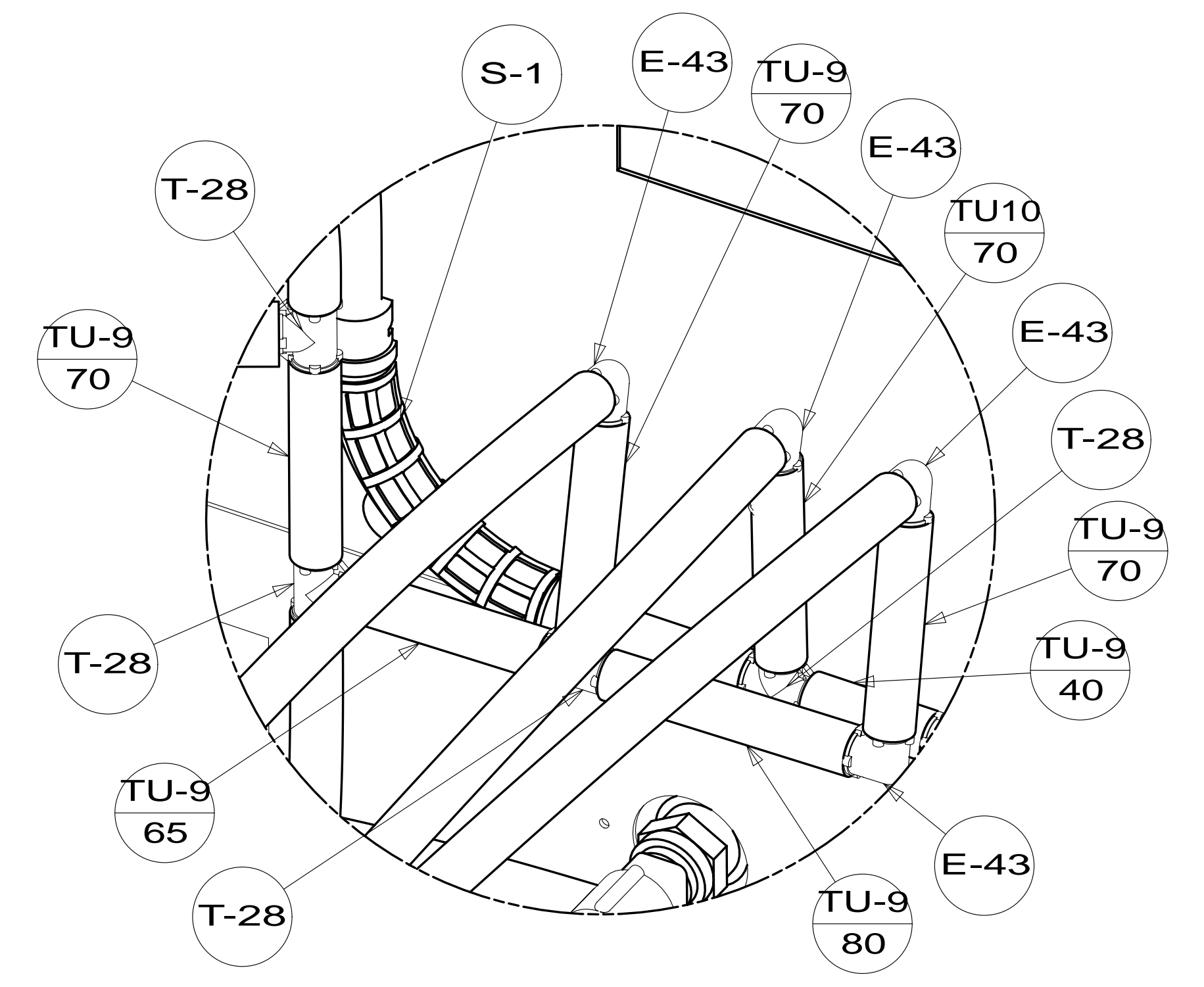
TOP VIEW SHOWING LINE UNDER FLOOR



VIEW N



VIEW M



DETAIL W

| | | |
|-------------|----------------------|--------|
| FIRST USED | 13 P40U | |
| TITLE: | DO NOT SCALE DRAWING | |
| SHEET 4 | PART NO | 181273 |
| | REV | 1 |
| 13-Mar-2013 | | |

*181273 *A