

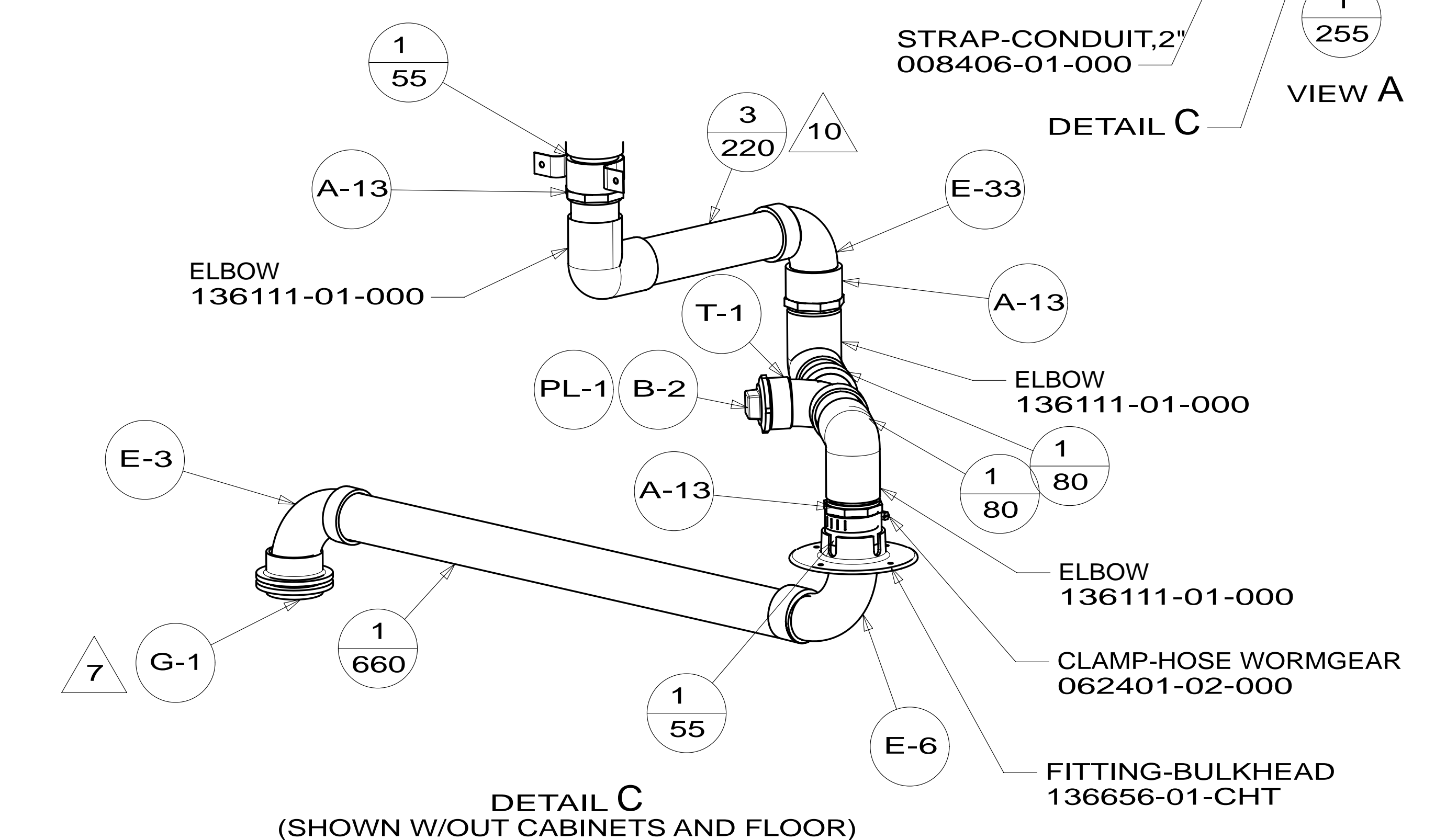
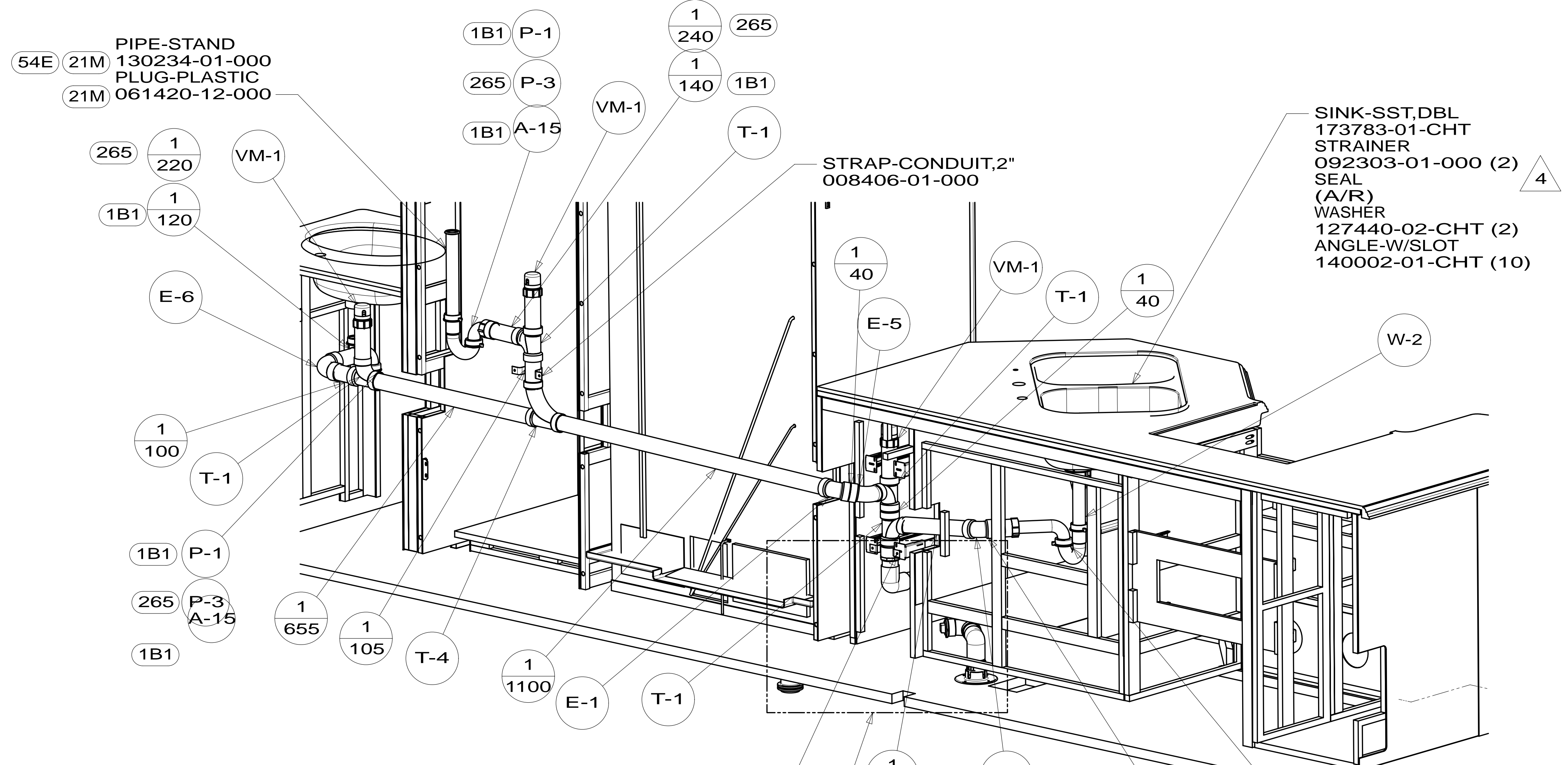
12. ALIGN TOILET SO IT FACES DIRECTLY AT CORNER CREATED WHERE SHOWER SURROUND AND BATH WALL COME TOGETHER.
11. ADD TEFLON TAPE 010405-01-000.
10. APPLY PRIMER 126427-02-000 AND CEMENT 126427-01-000 BETWEEN ELBOW AND FLEX PIPE.
9. SEE DRAWING 061607 FOR INSTALLATION OF GROMMETS.
8. SECURE DRAINAGE PIPES TO CABINET USING WIRE TIE 108046-02-000, AND SCREW 000G67-10-12U AT INTERVALS OF NOT OF NOT MORE THAN 4 FEET APART.
7. SECURE VENT PIPE TO GROMMET WITH CLAMP 062401-02-000.
6. VENT PIPE MUST PROJECT 51 MIN AND 64 MAX ABOVE ROOF FOR PROPER FIT AND FUNCTION. ADD S-1 (116666-01-CHT SEAL-VENT PIPE) AROUND PIPE ON ROOF BEFORE VENT CAP IS INSTALLED.
5. SEAL AROUND SHOWER WITH SILICONE.
4. USE SMOOTH PLUMBERS PUTTY 167459-01-000 TO SEAL STRAINER (0.2 PER STRAINER).
3. ALL PIPE AND FITTINGS TO BE ASSEMBLED WITH SOLVENT 004020-01-000 (USA), 004020-02-000 (CAN)
2. SLOPE OF TRAP ARM MUST BE 6 PER 305 mm.
1. SLOPE OF HORIZONTAL PIPING TO BE MINIMUM OF 3 PER 305 mm.

- 265 CODES/STANDARDS-CSA/CMVSS
- 1B1 CODES/STANDARDS USA
- 21M WASHER/DRYER PREP
- 54E WASHER/DRYER_COMBO

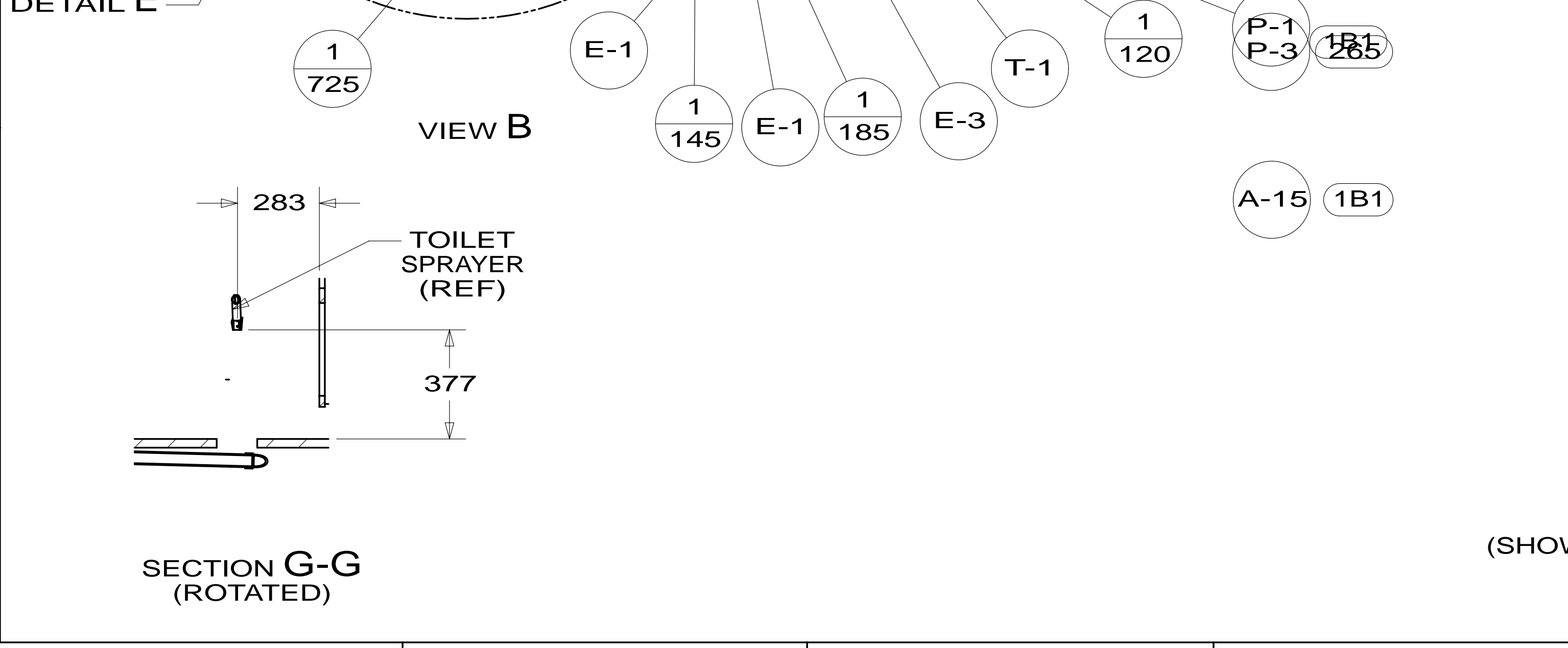
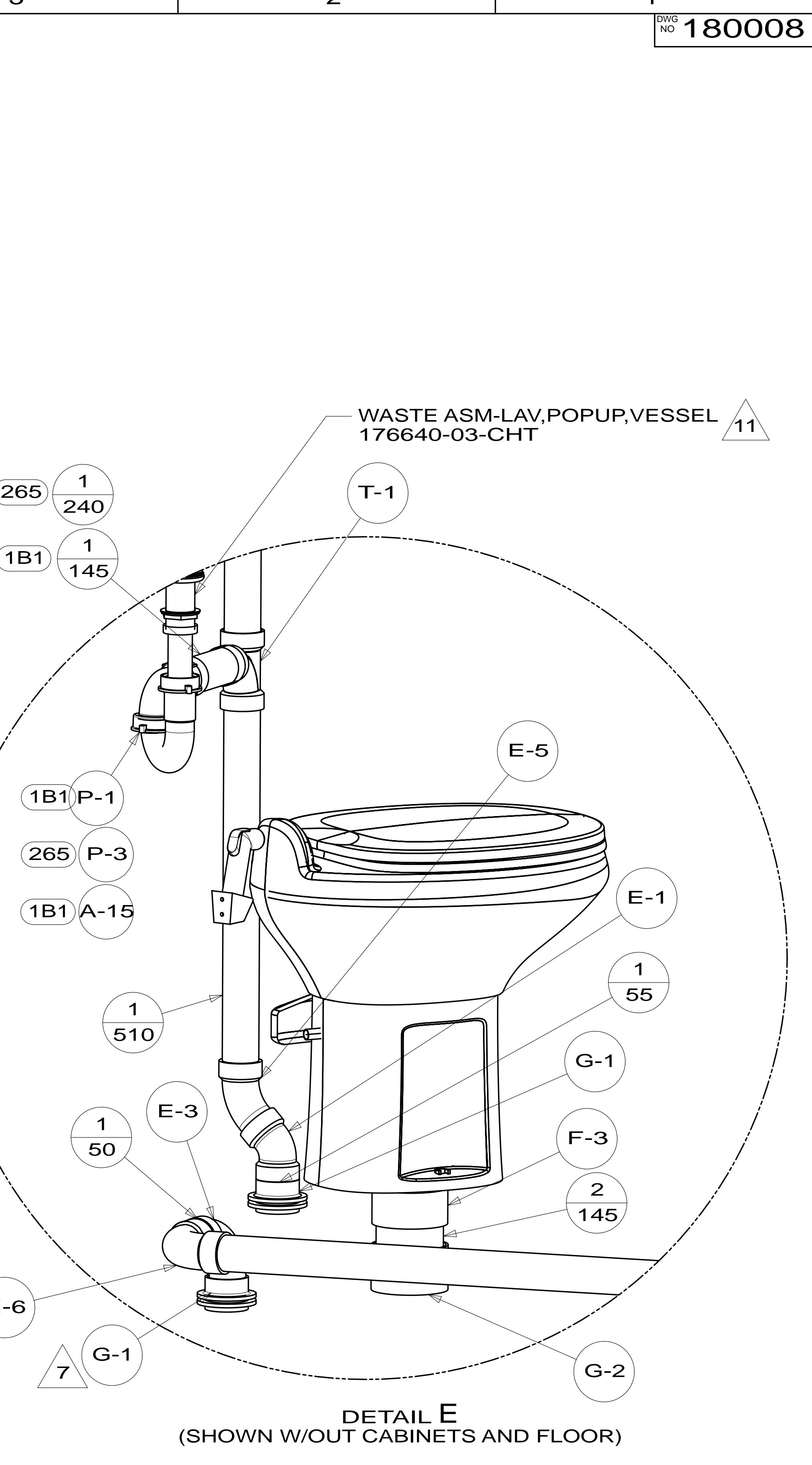
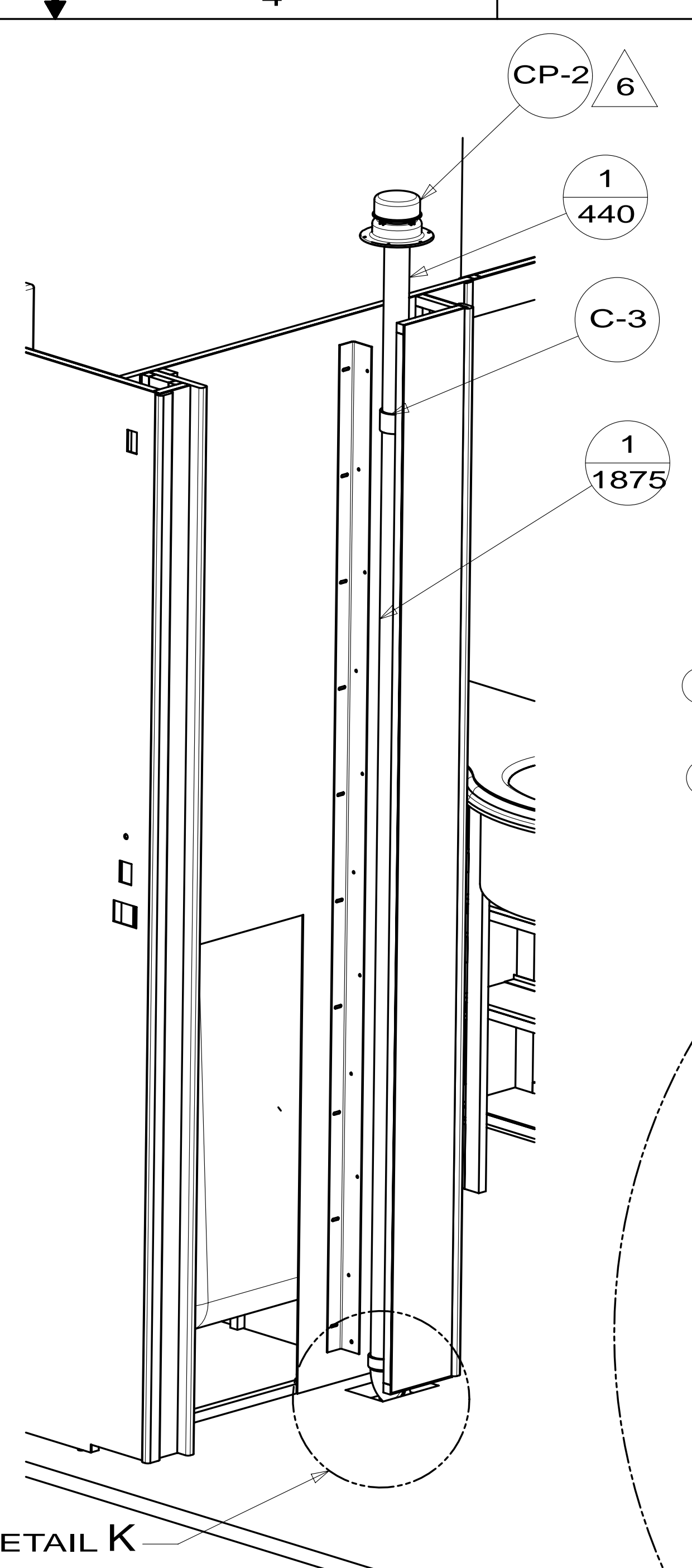
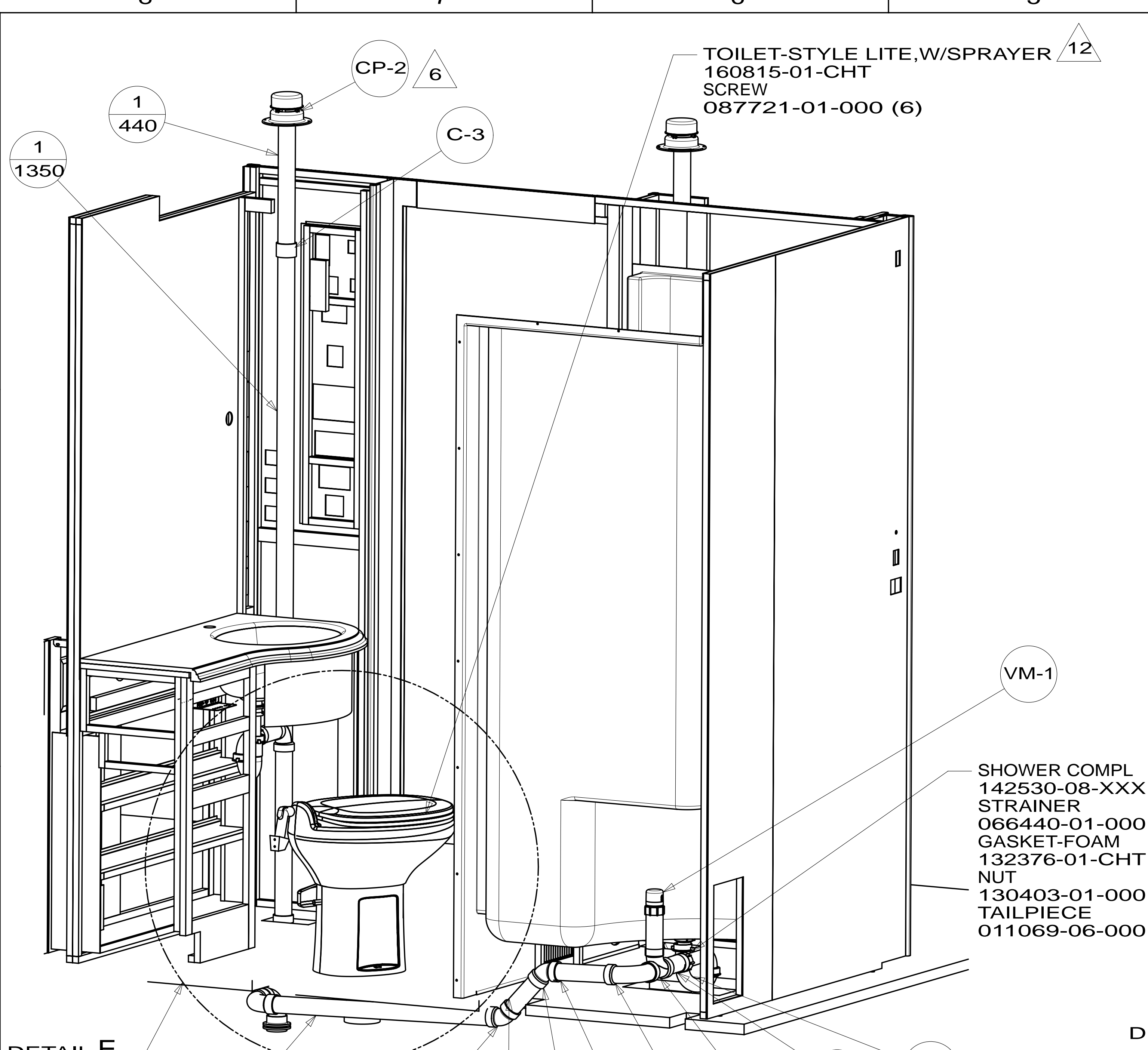
WINNEBAGO		COPYRIGHT 2012 WINNEBAGO INDUSTRIES, INC.	
DFTR	ORIG. DATE	ALL DIMENSIONS ARE IN MILLIMETERS	
CHKR			
P.E.			
M.E.	FIRST USED		
DSNR		13 P36M	
UNSPECIFIED TOLERANCES ARE:		MATERIAL:	
WHOLE DIM (X)	: 3		
ONE-PLACE (X.X)	: 1.5		
TWO-PLACE (X.XX)	: 0.50		
ANGLE	: 1°		
THIRD ANGLE PROJECTION			
DO NOT SCALE DRAWING		REFER TO ES0018 FOR FASTENER TIGHTENING GUIDELINES	
TITLE: DRAINAGE SYSTEM INSTL			
SHEET 1 OF 4	PART NO	180008	REV
REF:	1	06-Sep-2012	

FOR DRAINAGE CALLOUTS SEE DWG NO 116229-01-000

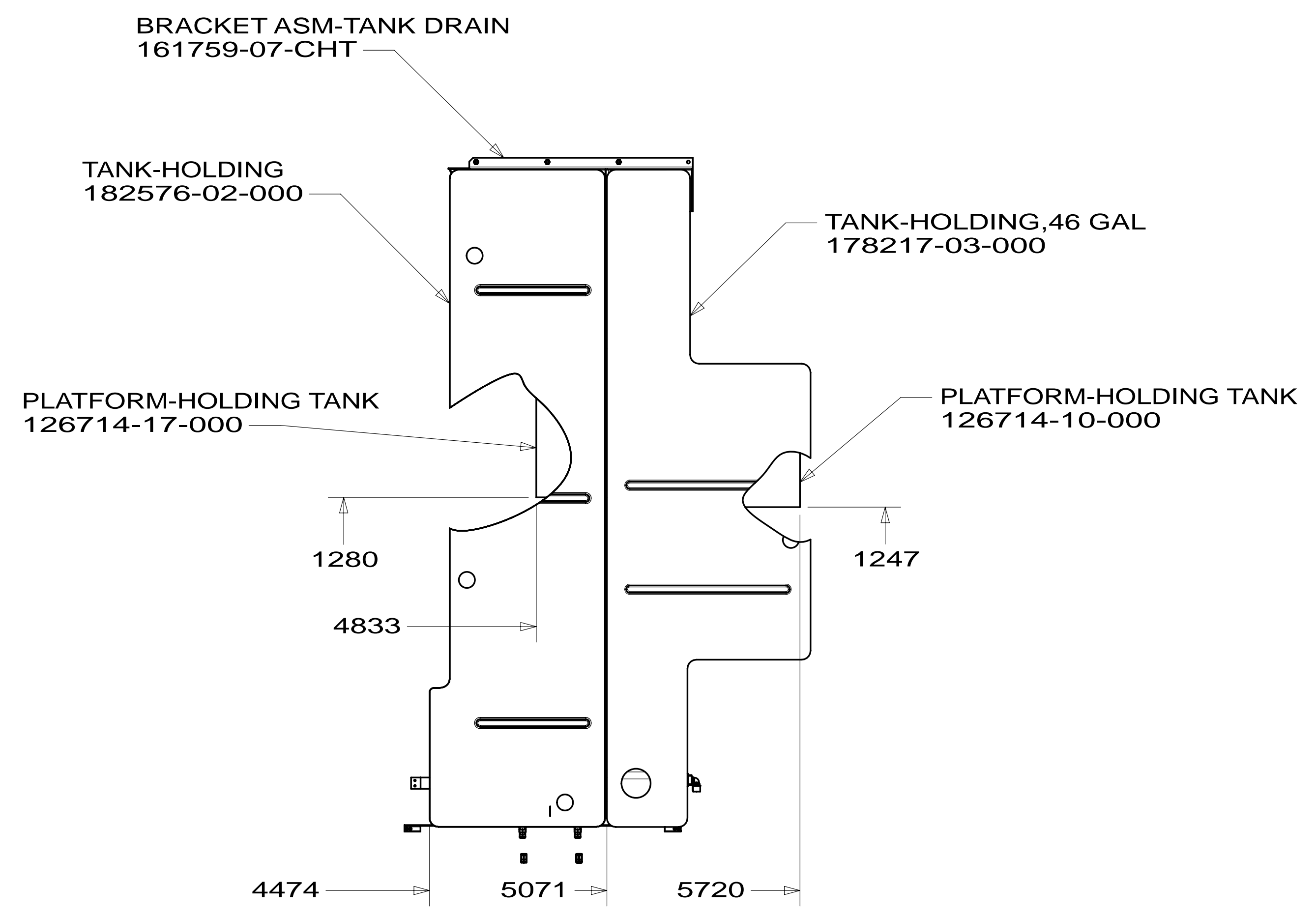
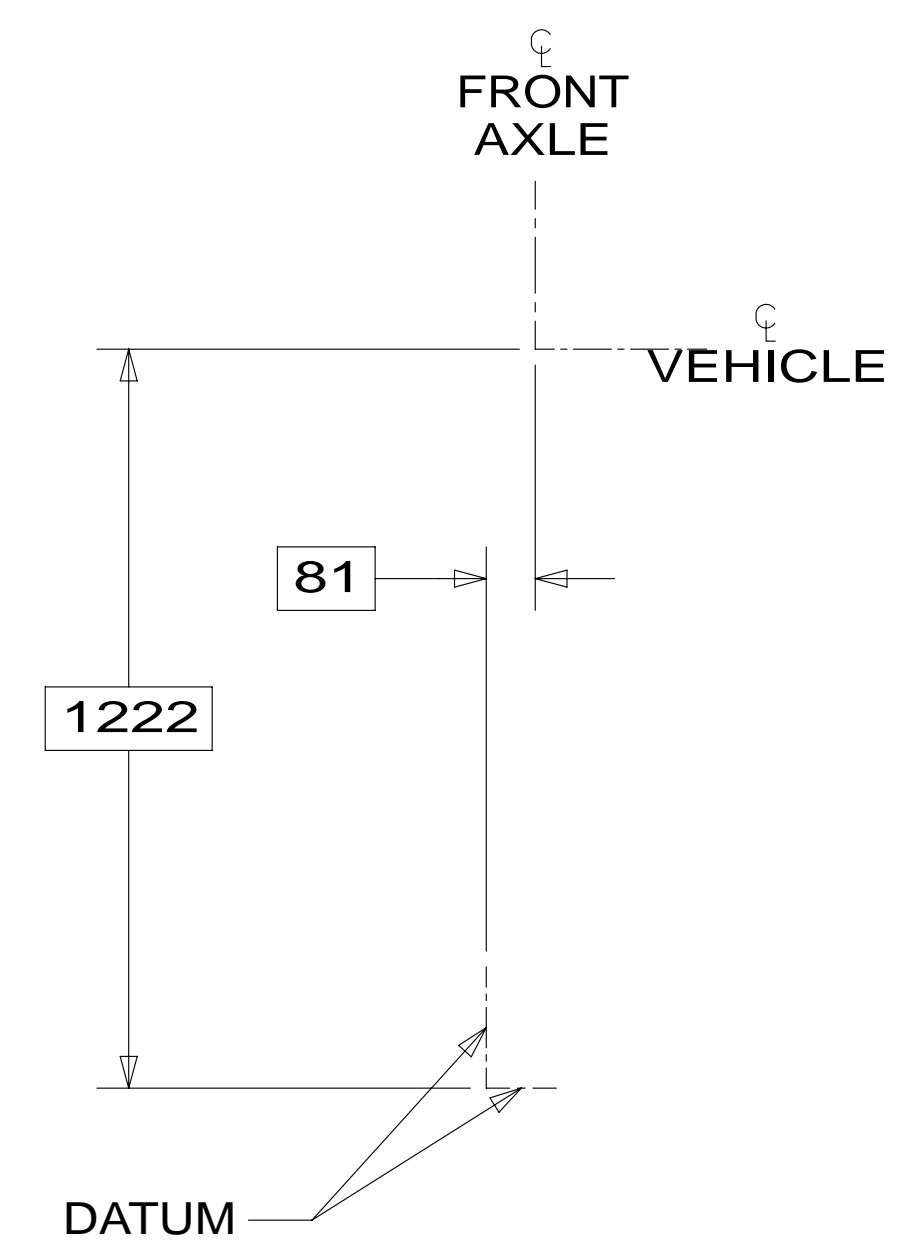
NOTES:



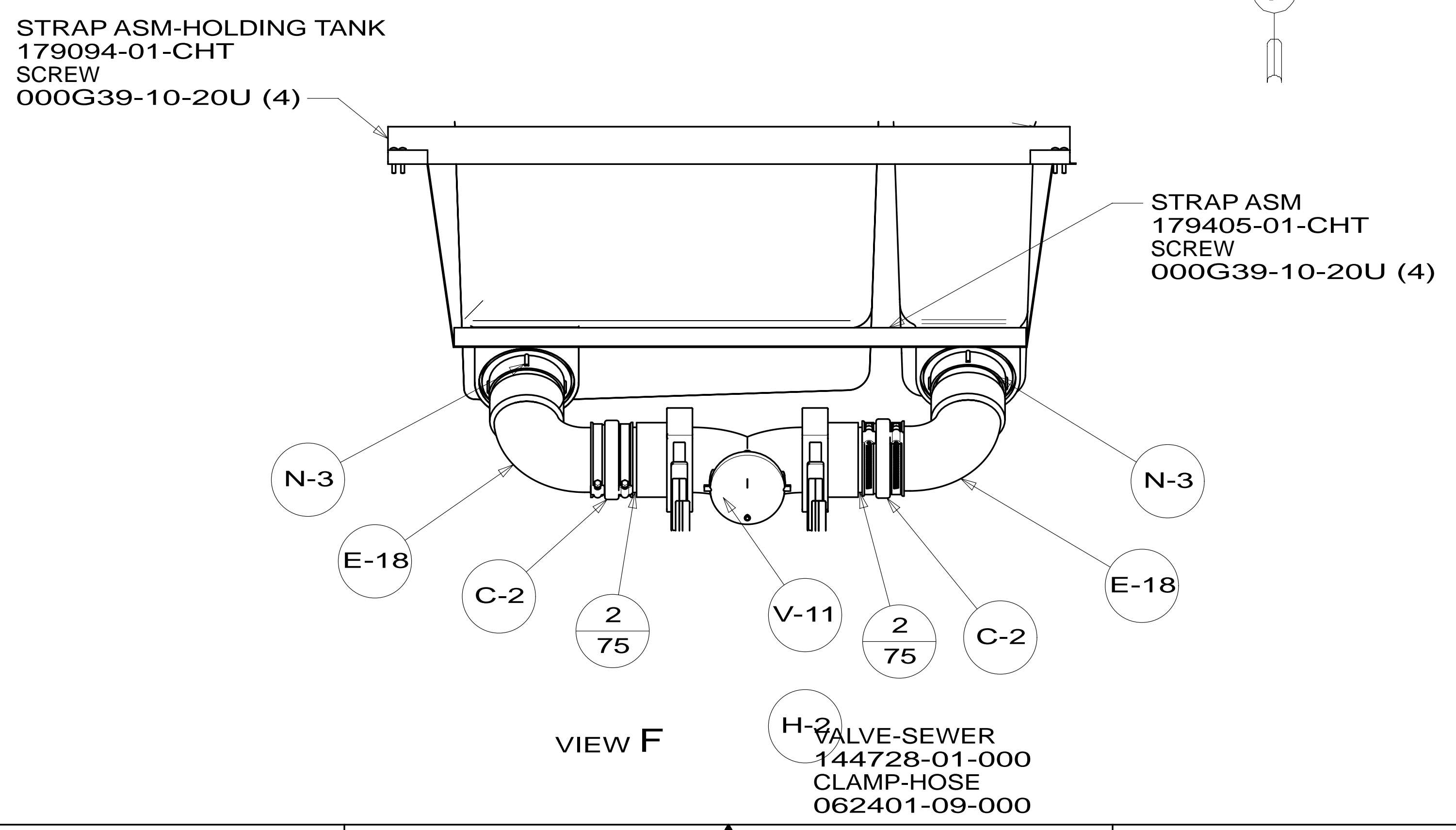
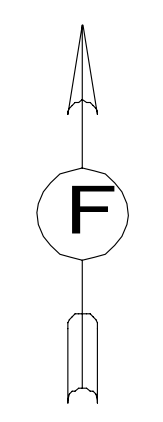
FIRST USED	13 P36M	
DO NOT SCALE DRAWING		
TITLE: DRAINAGE SYSTEM INSTL		
SHEET 2	PART NO 180008	REV
		1 06-Sep-2012



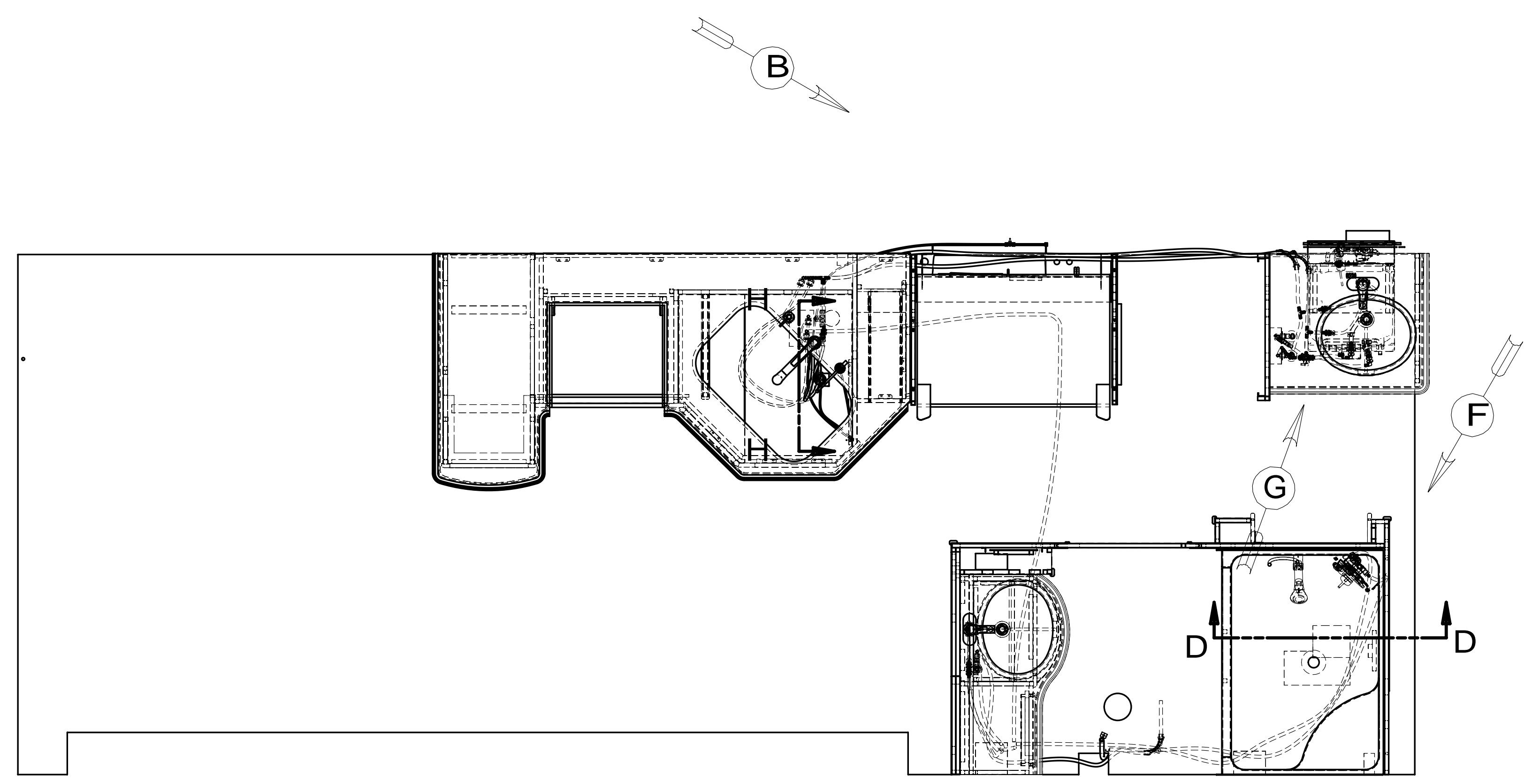
FIRST USED	13 P36M
DO NOT SCALE DRAWING	
TITLE: DRAINAGE SYSTEM INSTL	
SHEET 3	PART NO 180008 REV
06-Sep-2012	



TOP VIEW SHOWING ONLY DRAINS AND TANKS



FIRST USED	13 P36M	
TITLE:	DO NOT SCALE DRAWING	
	DRAINAGE SYSTEM INSTL	
SHEET 4	PART NO 180008	REV



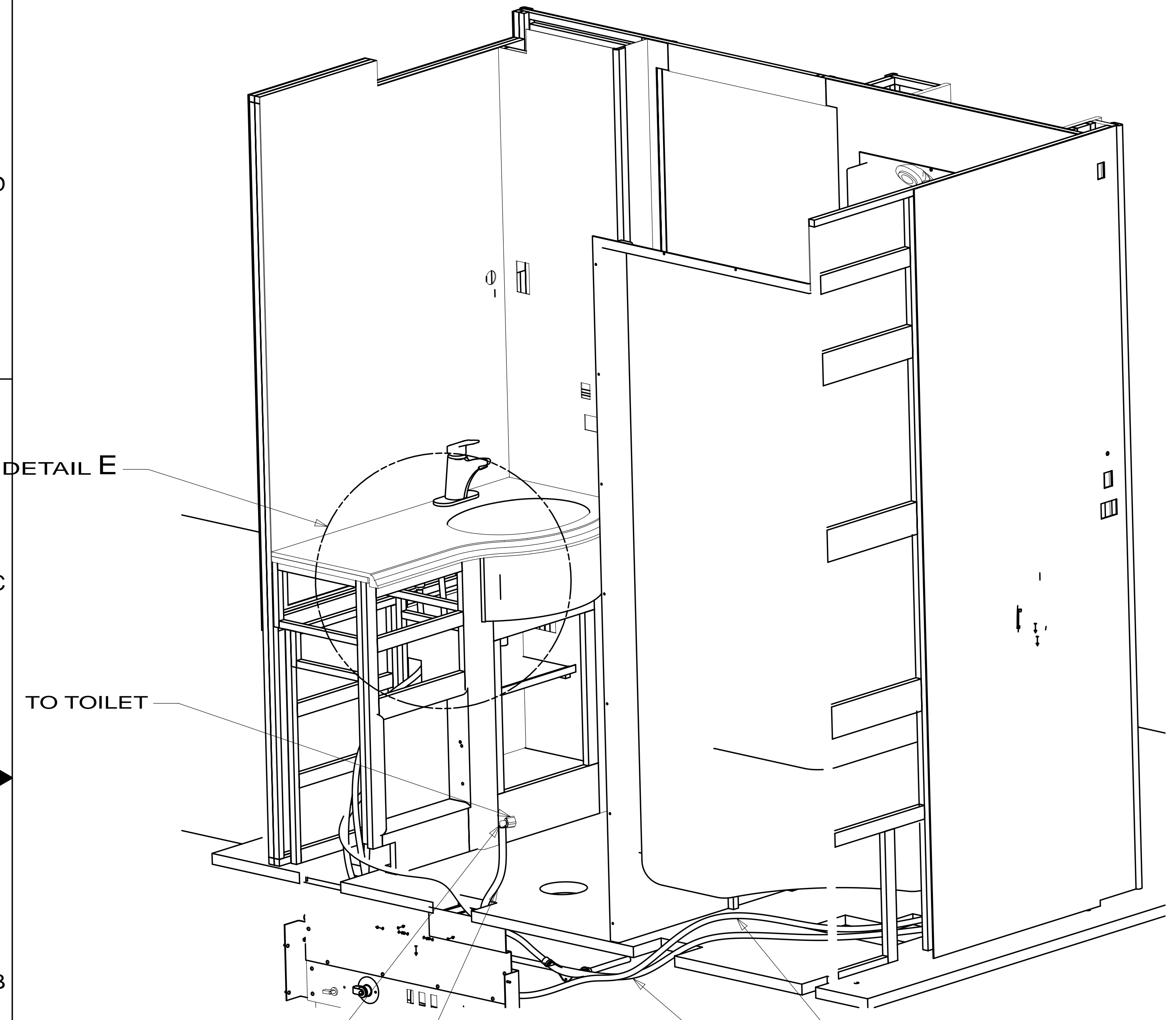
- 11 VALVE MUST REMAIN OPEN AFTER WATER TEST.
- 10 INSTALL FAUCET W/OUT BASEPLATE.
- 9 ELBOW TO BE TURN 45° BELOW HORIZONTAL LINE.
- 8. ALL CRIMP FITTINGS TO 1/2" PEX TUBING REQUIRE 1/2" CLAMP 140171-03-000.
- 7. ALL CRIMP FITTINGS TO 5/8" PEX TUBING REQUIRE 5/8" CLAMP 140171-04-000.
- 6 LABEL HOT AND COLD SUPPLY TUBES AND TAPE FITTING TO TUBE BEFORE CABINET SET TO PREVENT MOVEMENT.
- 5 ADD PIPE WRAP (LADDER SCRAP 110157-02-000) INSULATION.
- 4 ADD TEFLON TAPE 010405-02-000.
- 3. ALL TUBING TO BE SECURED AT 1200 INTERVALS MAXIMUM WITH CLAMP 010495-01-000 AND SCREW 000G67-10-12U OR EQUIVALENT.
- 2. TUBING TO BE INSTALLED WITH SUFFICIENT SLOPE TO PROVIDE DRAINAGE TO NEAREST VALVE.
- 1. PLASTIC FITTINGS TO BE SEALED WITH SEALANT 084456-01-000.

- 15L REFR/FRZR 2DOOR RESIDENTIAL
- 79W REFRIGERATOR-4 DOOR
- WIN WINNEBAGO ONLY
- ITA ITASCA ONLY

		COPYRIGHT 2013 WINNEBAGO INDUSTRIES, INC.	
DFTR	ORIG. DATE		
CHKR	ALL DIMENSIONS ARE IN MILLIMETERS		
P.E.			
M.E.	FIRST USED		
DSNR	13 P36M		
UNSPECIFIED TOLERANCES ARE:		MATERIAL:	
WHOLE DIM (X)	: 3		
ONE-PLACE (X.X)	: 1.5		
TWO-PLACE (X.XX)	: 0.50		
ANGLE	: 1°		
THIRD ANGLE PROJECTION			
DO NOT SCALE DRAWING		REFER TO ES0018 FOR FASTENER TIGHTENING GUIDELINES	
TITLE: WATER SYSTEM INSTL			
SHEET 1 OF 4	PART NO	180007	REV
REF:	1	12-Mar-2013	

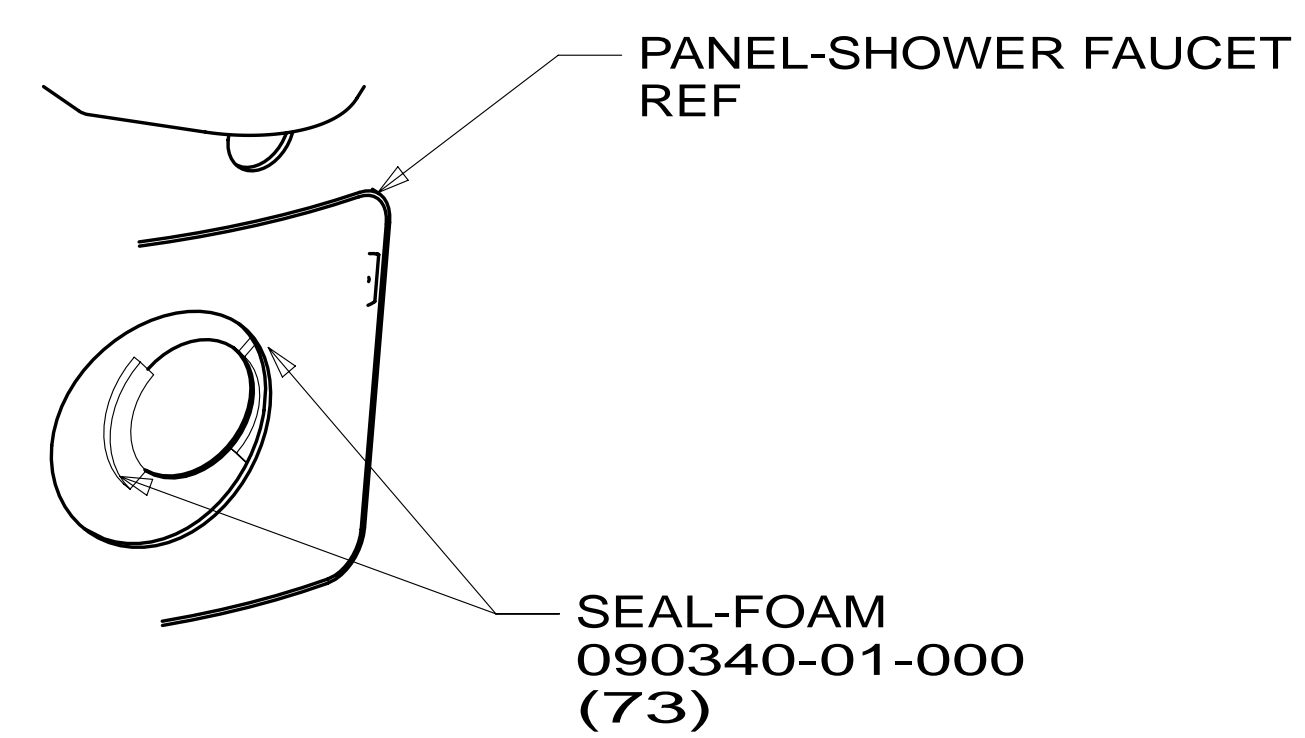
FOR
WATER
CALLOUTS
SEE DWG NO
116230-01-000

A * 180007

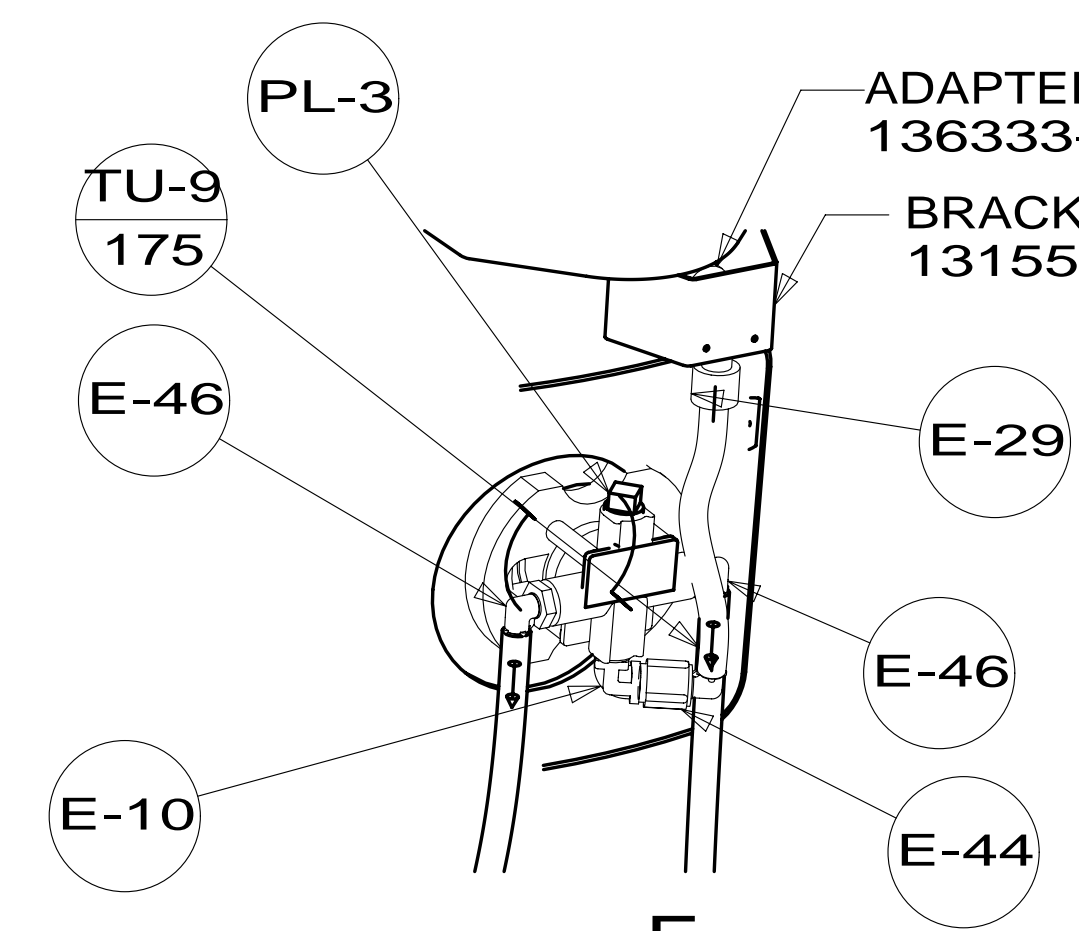


- E-44
- TU-8 375
- TU-9 2500
- TU10 3200

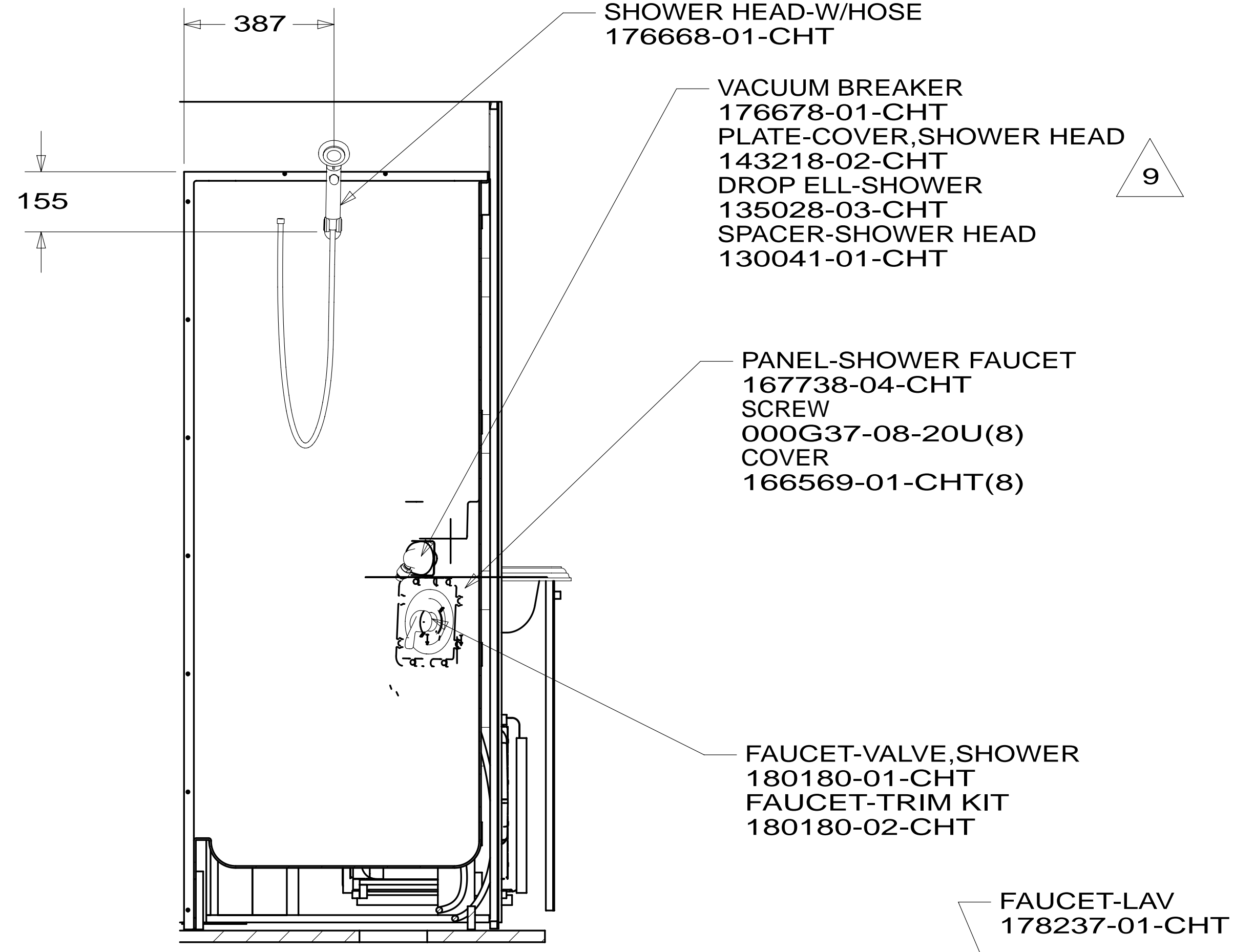
VIEW A



VIEW F (SHOWING SEALS ON SHOWER PANEL)



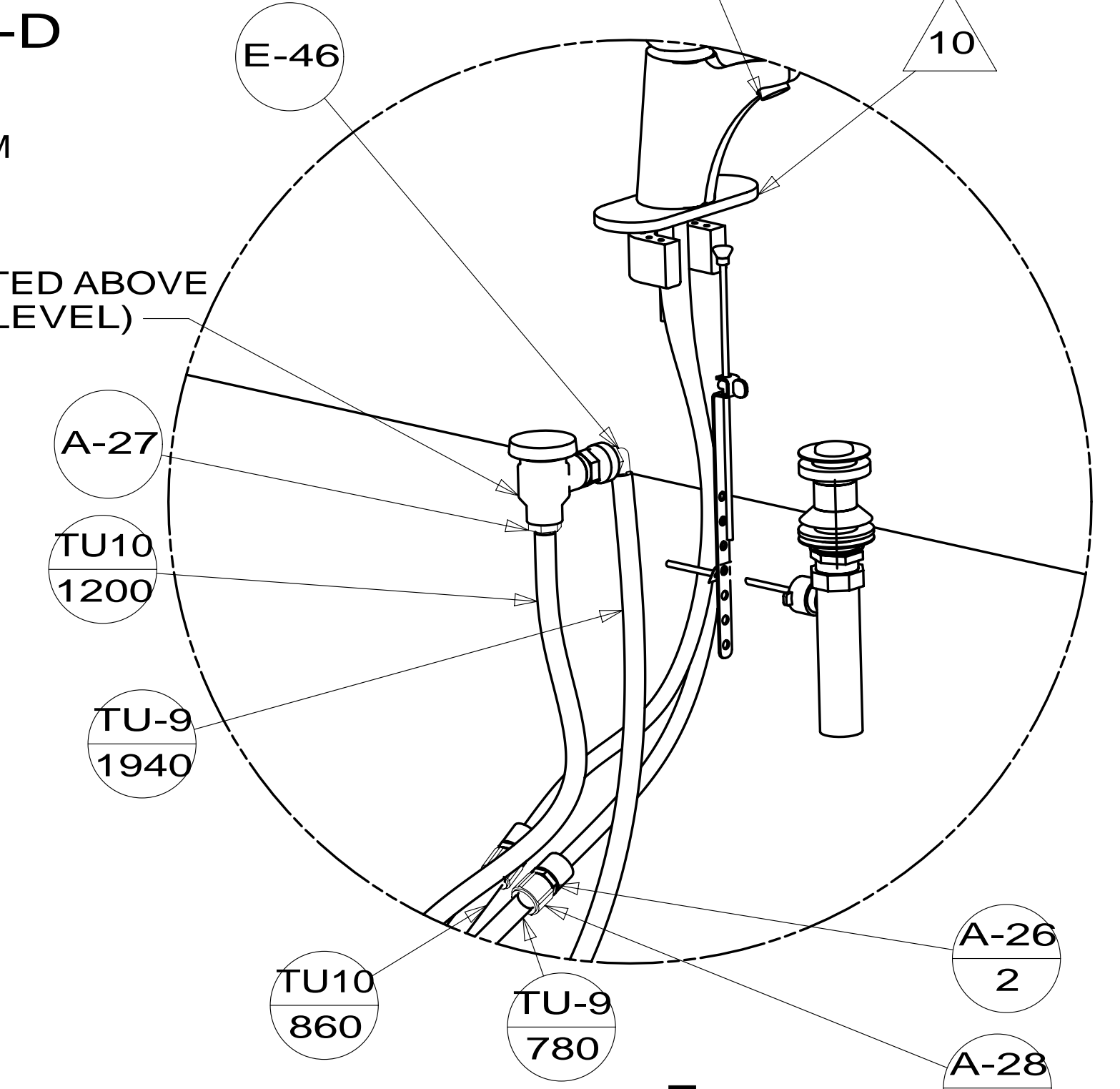
VIEW F (SHOWN W/OUT CABINETS)



SECTION D-D

BREAKER-VACUUM 125697-04-000

CHECK VALVE 125697-03-000 (MUST BE MOUNTED ABOVE TOILET FLOOD LEVEL)



DETAIL E (SHOWN W/OUT CABINETS)

FIRST USED	13 P36M	
TITLE:	DO NOT SCALE DRAWING	
TITLE:	WATER SYSTEM INSTL	
SHEET 2	PART NO 180007	REV
		12-Mar-2013

* 180007

FAUCET-LAV
178237-01-CHT
WASTE ASM
(SUPPLIED W/FAUCET)

FAUCET-WATER PURIFIER
103635-01-000 WIN
173603-01-CHT ITA

FAUCET-GALLEY
123744-03-CHT

DISPENSER-SOAP/LOTION
173282-01-CHT

BRACKET
159640-04-CHT
SCREW
000G39-10-12U(2)

FAUCET
098419-01-000(2)
BRACKET-FAUCET,WASHER
134472-01-CHT

WATER-HTR
145541-01-000
CABLE
076767-03-000
DOOR
125420-05-CHT
EXTR-STRAP
100885-51-034(4)
SCREW
000G39-10-10U(16)
PLATFORM ASM- W.H.
144200-A1-000

A-26
2

A-28
2

TU-9
2500

TU10
2620

E-43

E-43

TU10
80

T-28

TU10
195

E-44

V-6
4

V-6
4

E-44

DETAIL R

15L I-3 I-2 I-1

CLAMP
010495-01-000

15L TU-5
150

T-24
15L

V-15
11
15L

TU-5
300
15L

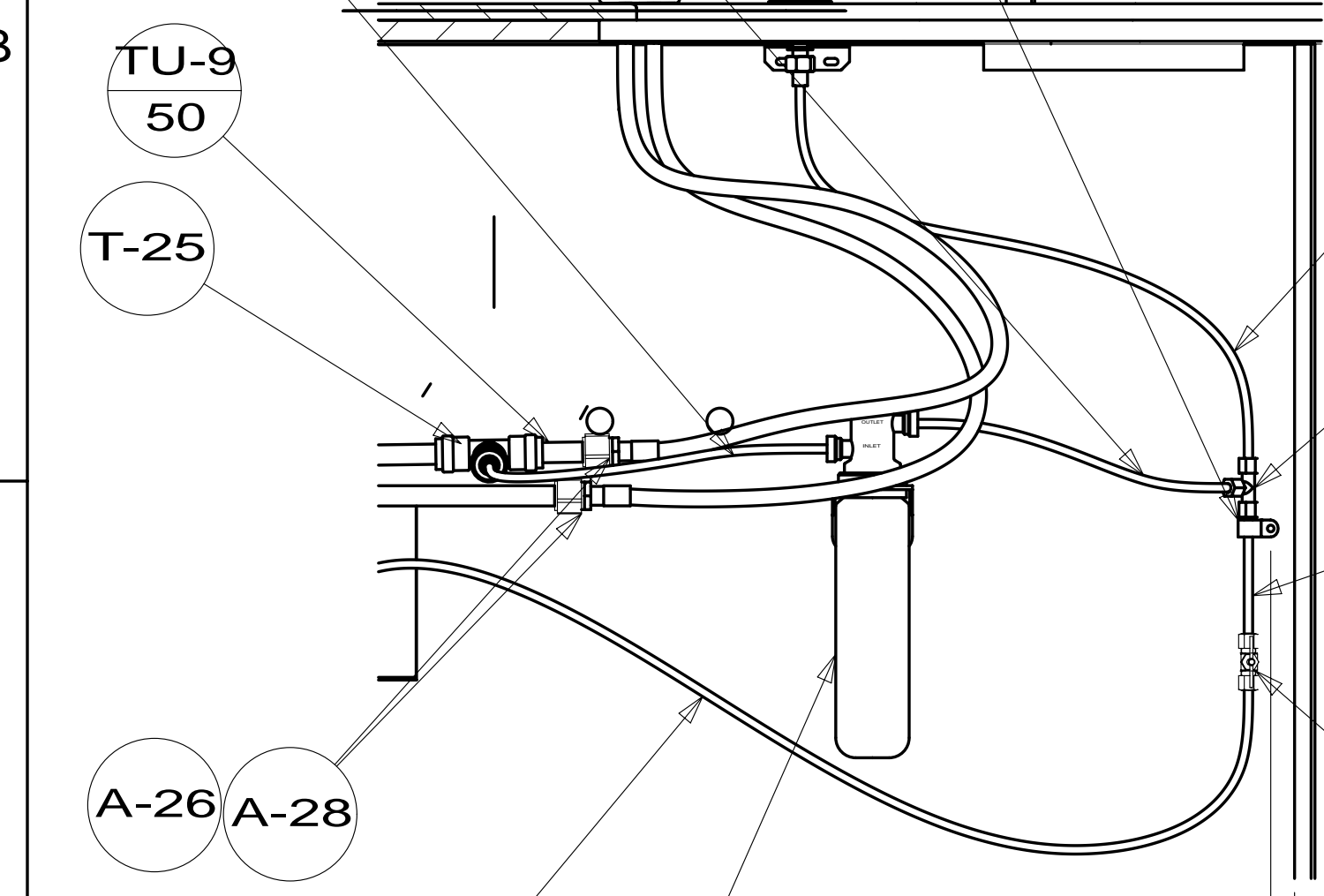
TU-5
50
15L

TU-5
1300
15L

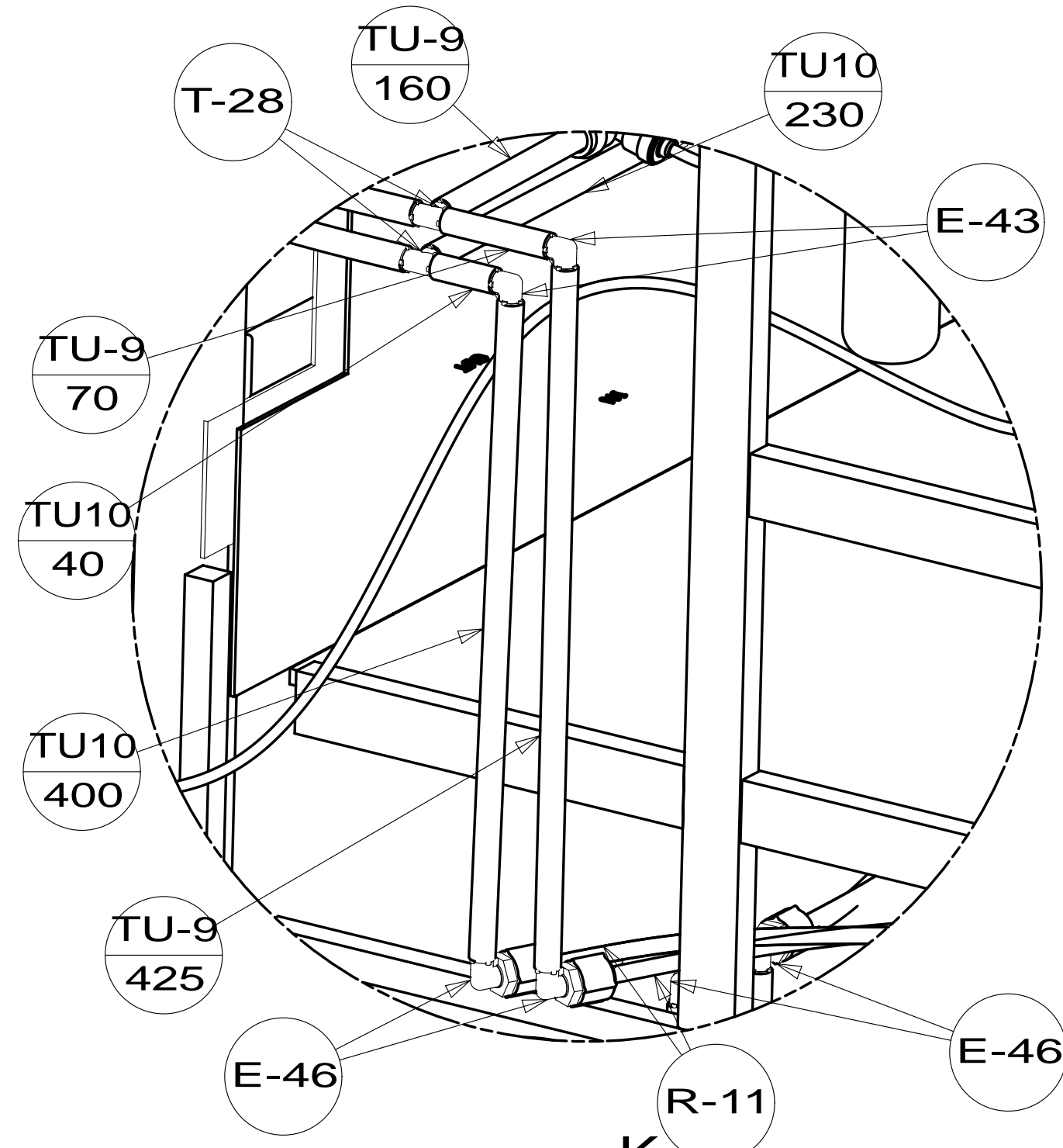
VIEW B

DETAIL K

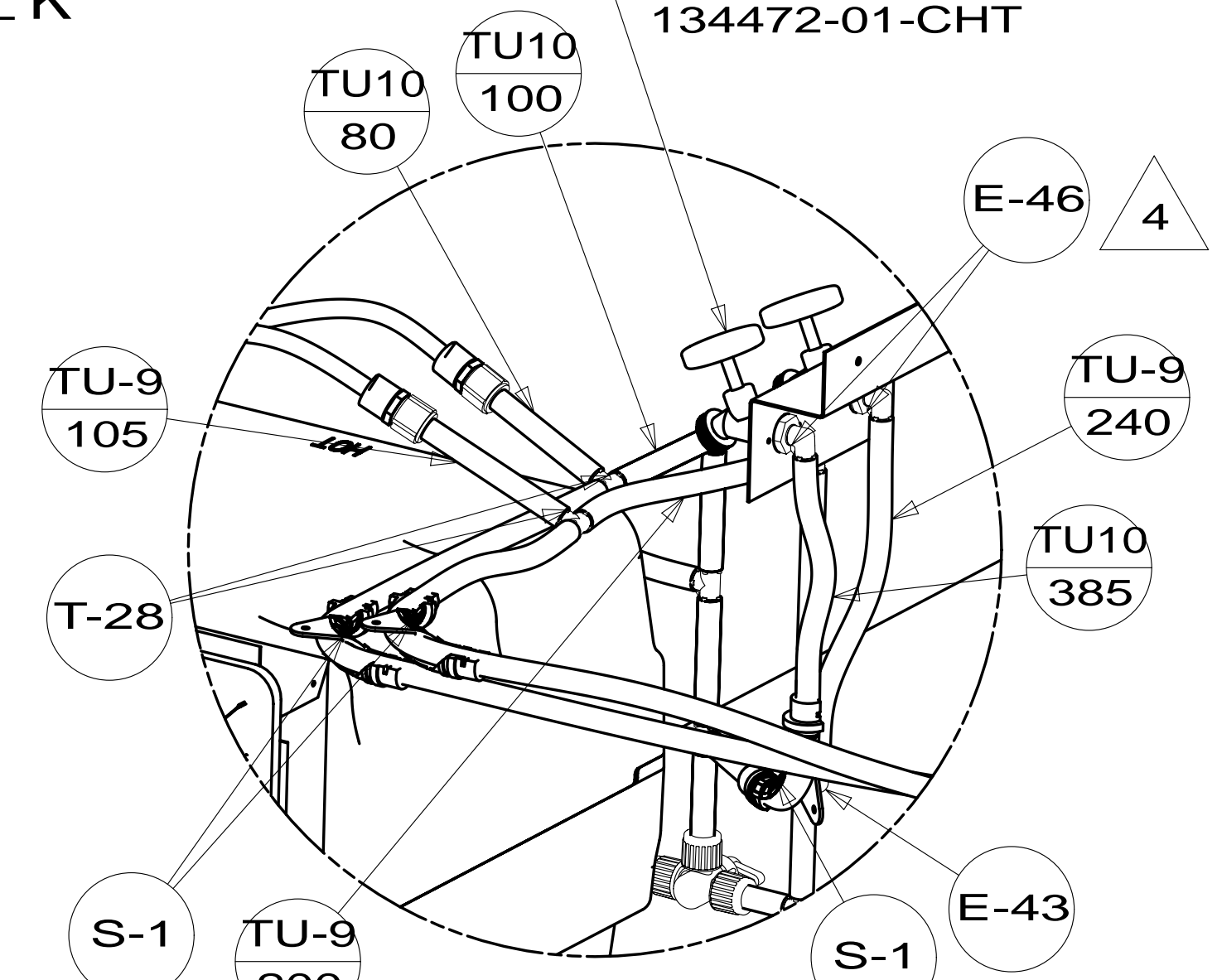
VIEW G



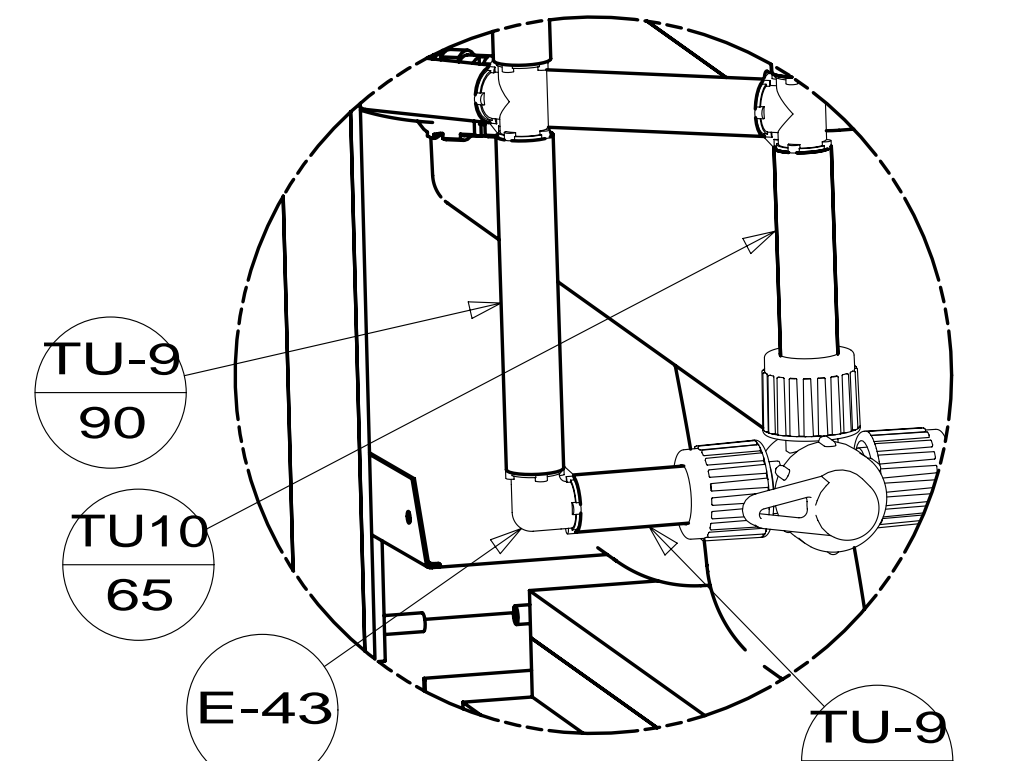
SECTION H-H
(ROTATED)



DETAIL K



DETAIL R
(SHOWN W/OUT CABINETS)



DETAIL U
(SHOWN WITHOUT BRACKET)

FIRST USED	13 P36M	
DO NOT SCALE DRAWING		
TITLE:	WATER SYSTEM INSTL	
SHEET 3	PART NO 180007	REV
		12-Mar-2013

A * 180007

WATER PUMP CENTER ASM
182945-01-XXX

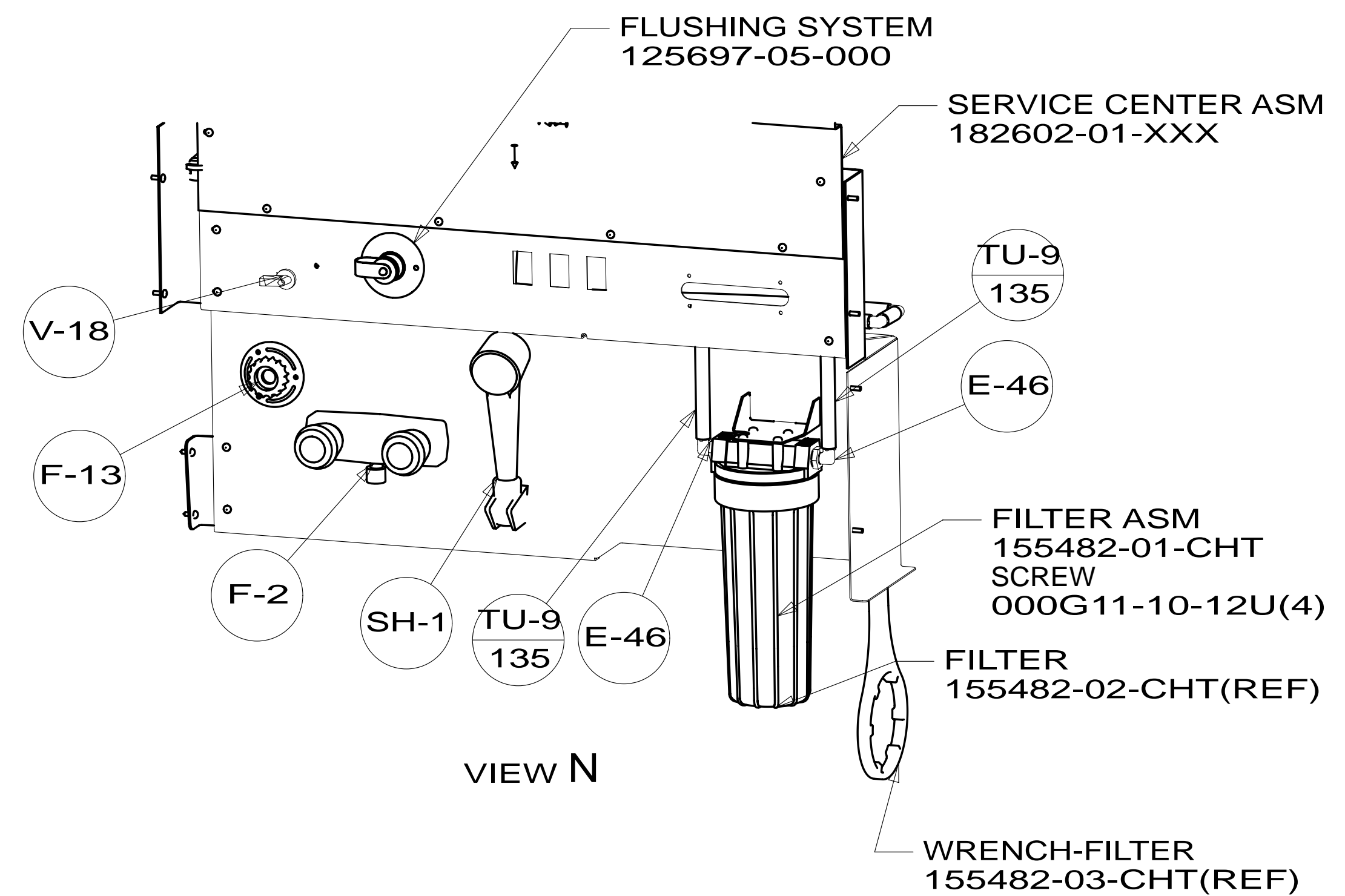
TOP VIEW SHOWING LINE UNDER FLOOR

TO TANK FLUSH

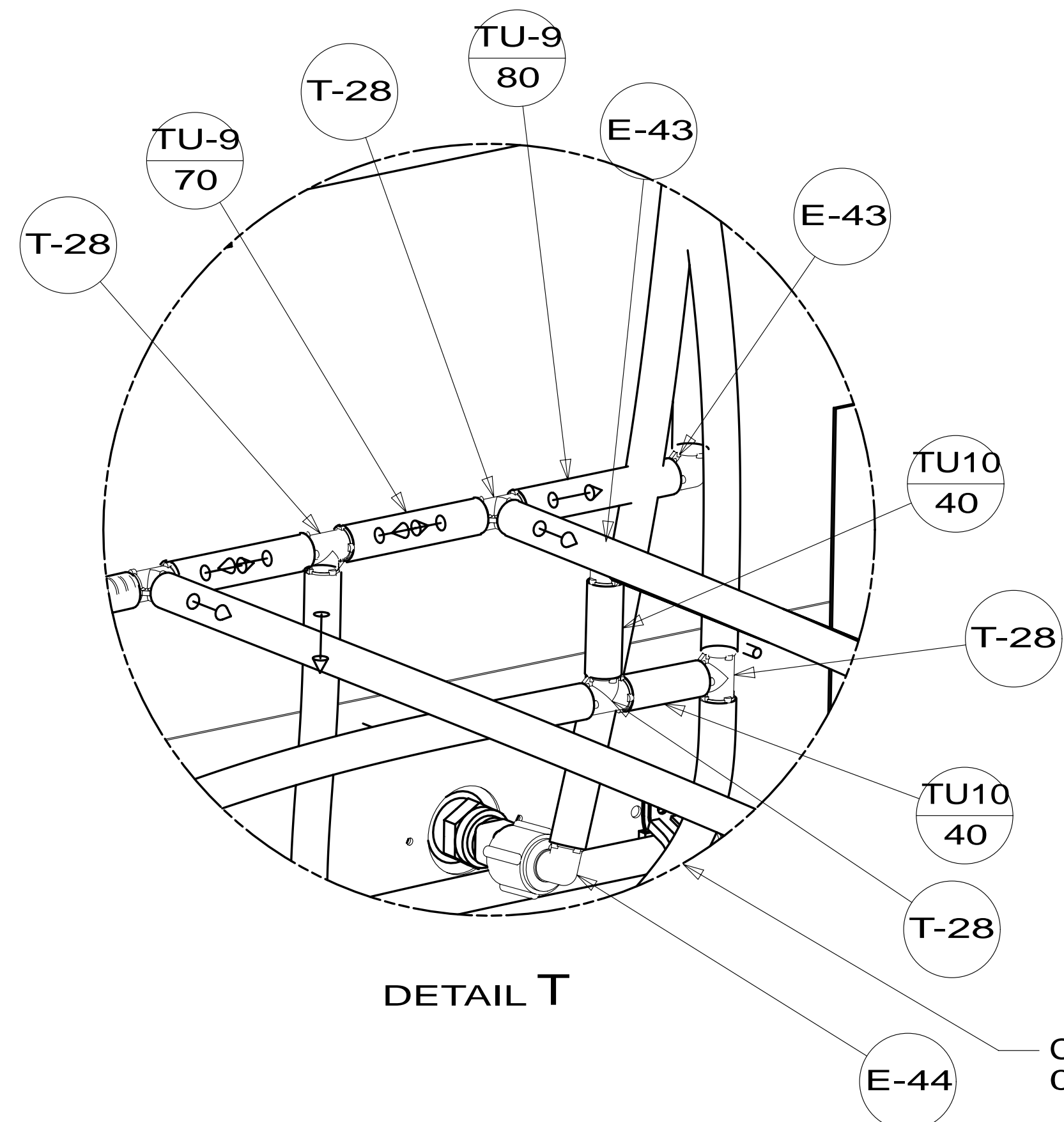
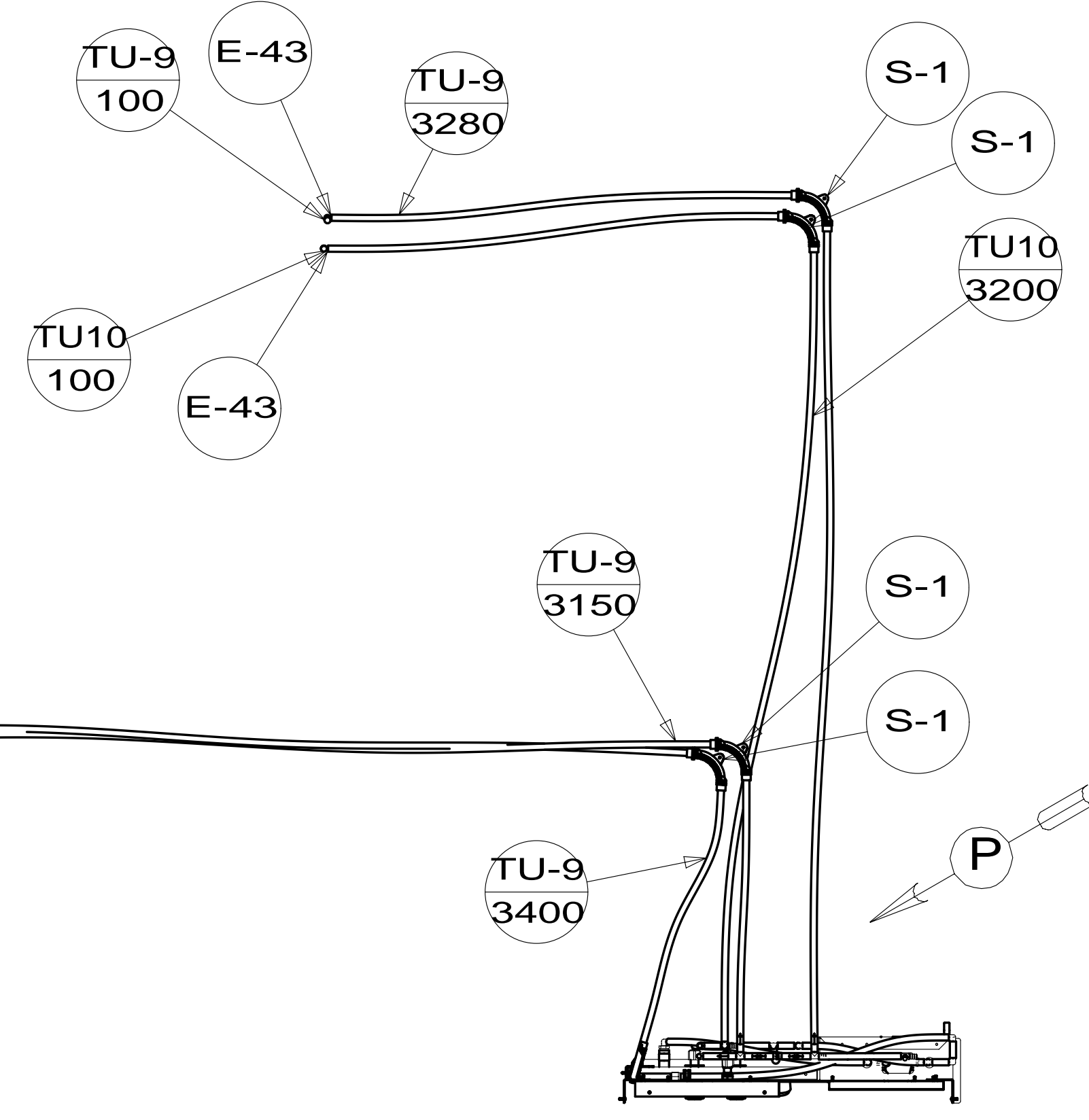
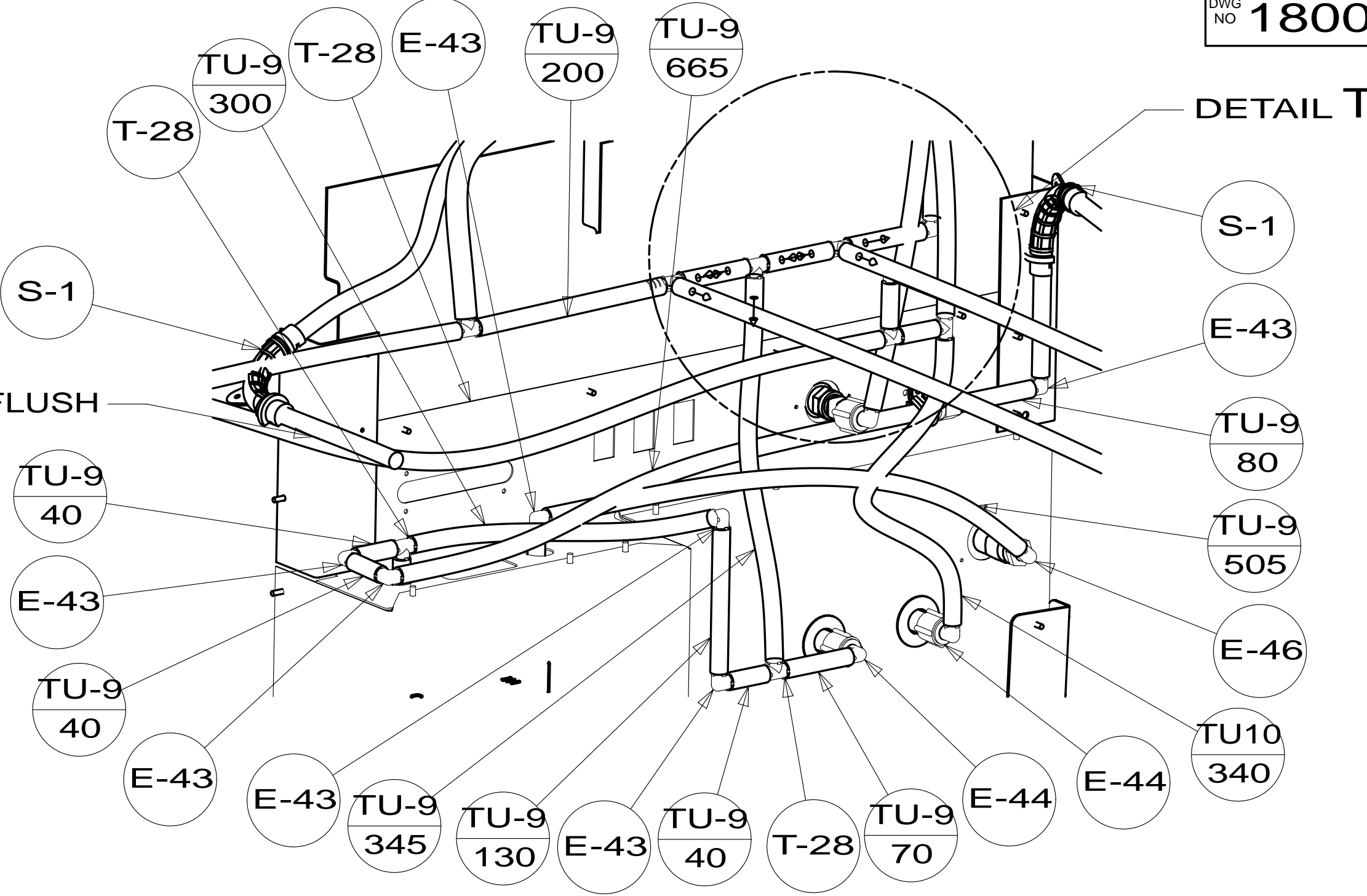
VIEW P

DETAIL T

DETAIL T



VIEW N



FIRST USED	13 P36M	
TITLE:	DO NOT SCALE DRAWING	
SHEET	4	PART NO 180007
		REV
12-Mar-2013		

* 180007