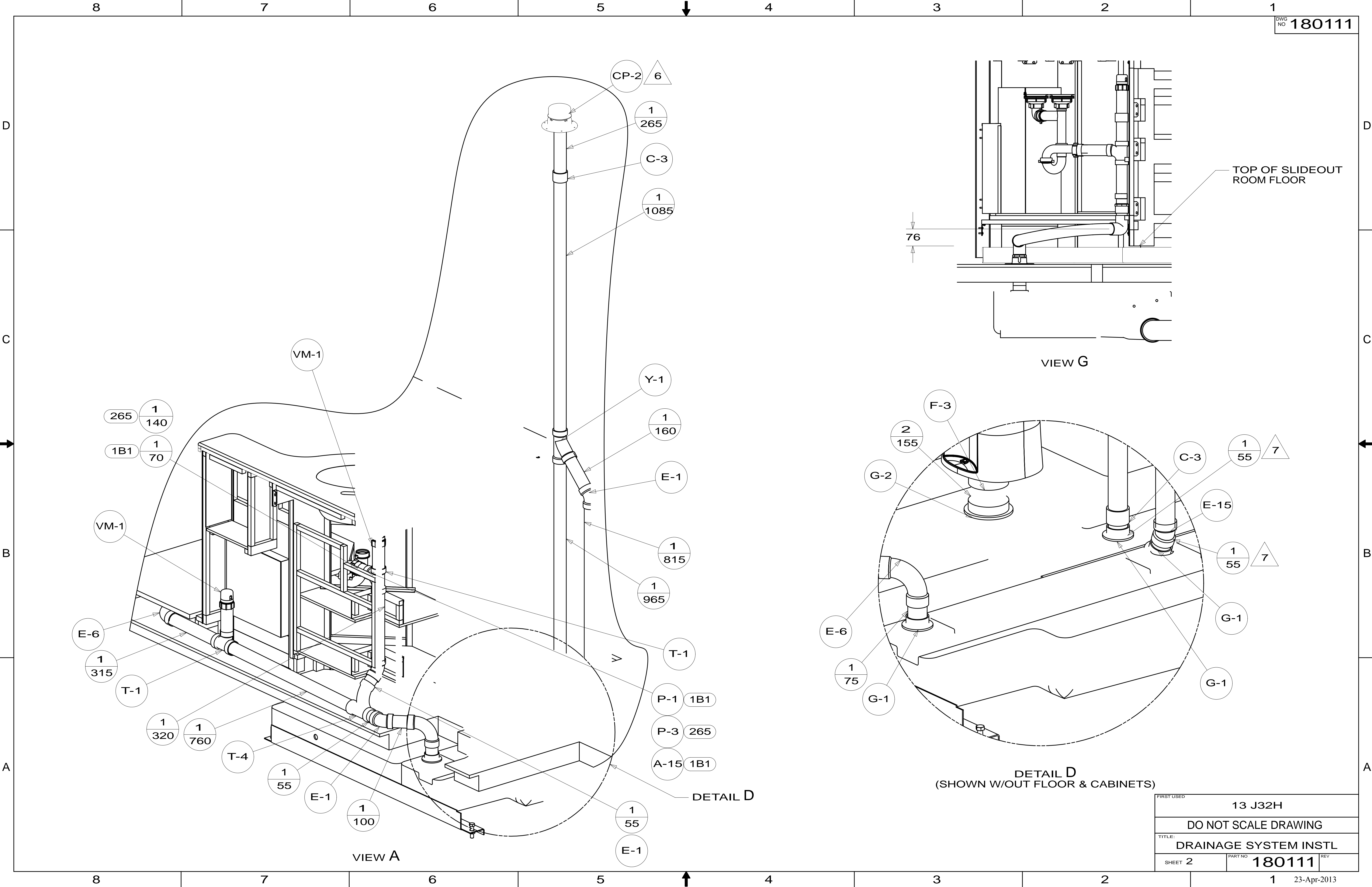


- NOTES:
1. SLOPE OF HORIZONTAL PIPING TO BE MINIMUM OF 3 PER 305 mm.
  2. SLOPE OF TRAP ARM MUST BE 6 PER 305 mm.
  3. ALL PIPE AND FITTINGS TO BE ASSEMBLED WITH SOLVENT 004020-01-000 (USA), 004020-02-000 (CAN)
  4. USE SMOOTH PLUMBERS PUTTY 167459-01-000 TO SEAL STRAINER (0.2 PER STRAINER).
  5. SEAL AROUND SHOWER WITH SILICONE.
  6. VENT PIPE MUST PROJECT 51 MIN AND 64 MAX ABOVE ROOF FOR PROPER FIT AND FUNCTION. ADD S-1 (116666-01-CHT SEAL-VENT PIPE) AROUND PIPE ON ROOF BEFORE CAP IS INSTALLED.
  7. SECURE VENT PIPE TO TANK WITH CLAMP 062401-02-000.
  8. SECURE DRAINAGE PIPES TO CABINET USING WIRE TIE 108046-02-000, AND SCREW 000G67-10-12U AT INTERVALS OF NOT MORE THAN 4 FEET APART.
  9. APPLY PRIMER 126427-02-000 AND CEMENT 126427-01-000 BETWEEN ELBOW AND FLEX PIPE.

- 1D3 ENTERTAIN CENTR/EXT TV-DVD
- 1B1 CODES/STANDARDS-USA
- 265 CODES/STANDARDS-CSA/CMVSS

FOR DRAINAGE CALLOUTS SEE DWG NO 116229-01-000

<b>WINNEBAGO</b>		COPYRIGHT 2013 WINNEBAGO INDUSTRIES, INC.	
DTR	ORIG. DATE	ALL DIMENSIONS ARE IN MILLIMETERS	
CHKR			
P.E.			
M.E.	FIRST USED	13 J32H	
DSNR			
UNSPECIFIED TOLERANCES ARE:		MATERIAL:	
WHOLE DIM (X)	: 3		
ONE-PLACE (X.X)	: 1.5		
TWO-PLACE (X.XX)	: 0.50		
ANGLE	: 1°		
THIRD ANGLE PROJECTION			
DO NOT SCALE DRAWING		REFER TO ES0018 FOR FASTENER TIGHTENING GUIDELINES	
TITLE: DRAINAGE SYSTEM INSTL			
SHEET 1 OF 4	PART NO	180111	REV
REF:	1	23-Apr-2013	



CP-2 6

1  
265

C-3

1  
1085

VM-1

Y-1

1  
160

E-1

1  
815

1  
965

T-1

P-1 1B1

P-3 265

A-15 1B1

DETAIL D

1  
55

E-1

VIEW A

76

VIEW G

TOP OF SLIDEOUT ROOM FLOOR

DETAIL D  
(SHOWN W/OUT FLOOR & CABINETS)

F-3

2  
155

G-2

C-3

1  
55

E-15

1  
55

E-6

1  
75

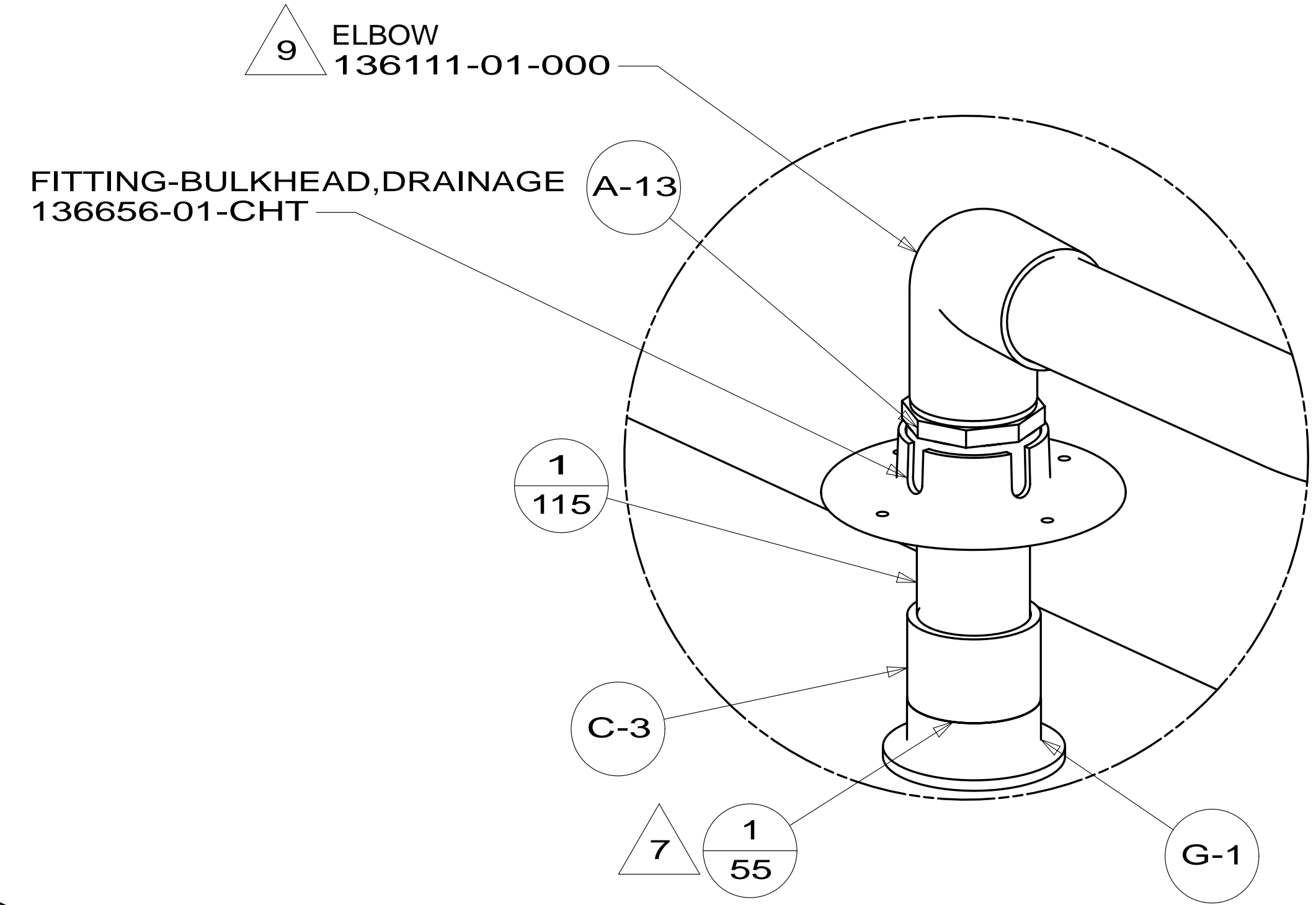
G-1

G-1

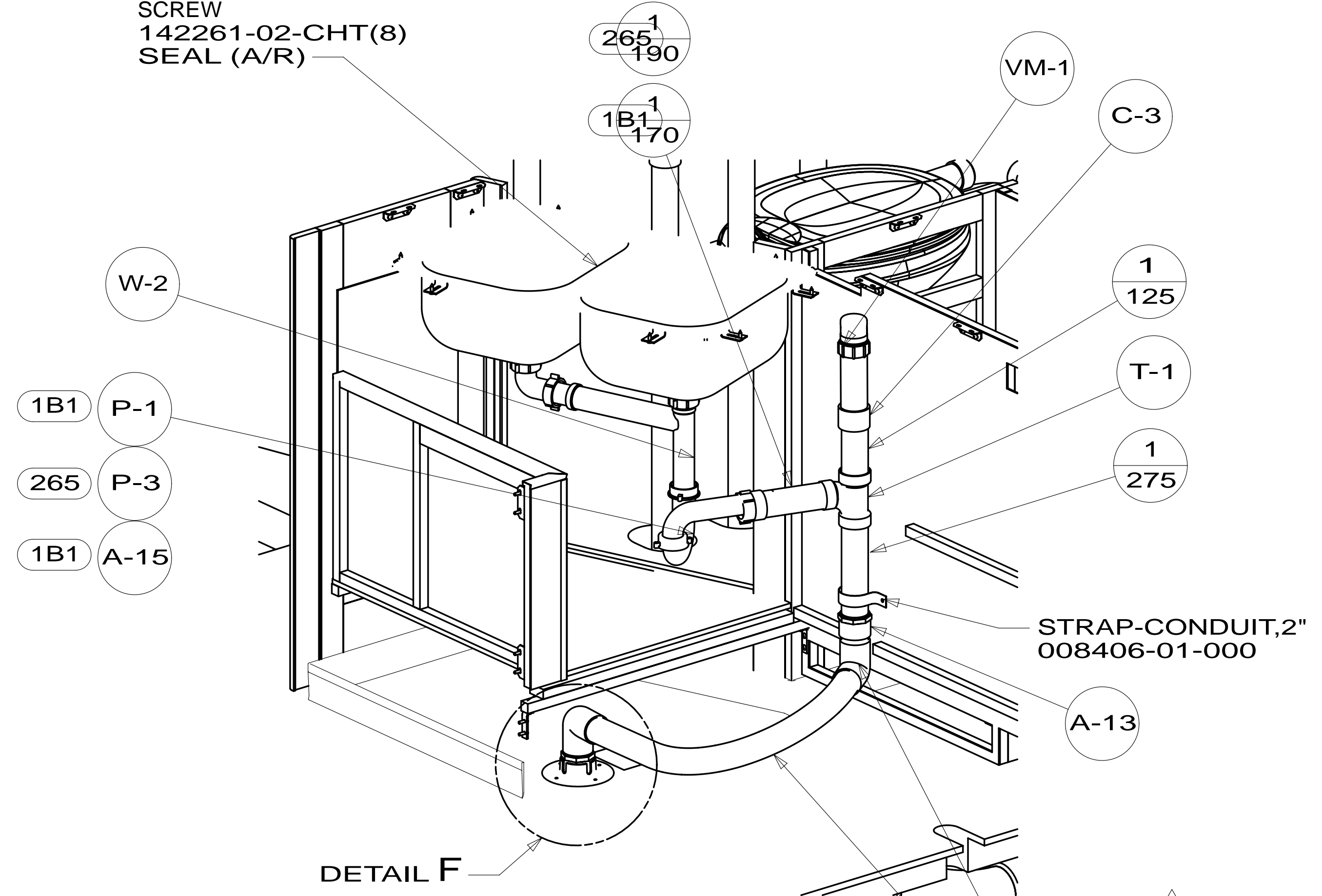
G-1

FIRST USED	13 J32H	
DO NOT SCALE DRAWING		
TITLE: DRAINAGE SYSTEM INSTL		
SHEET 2	PART NO 180111	REV

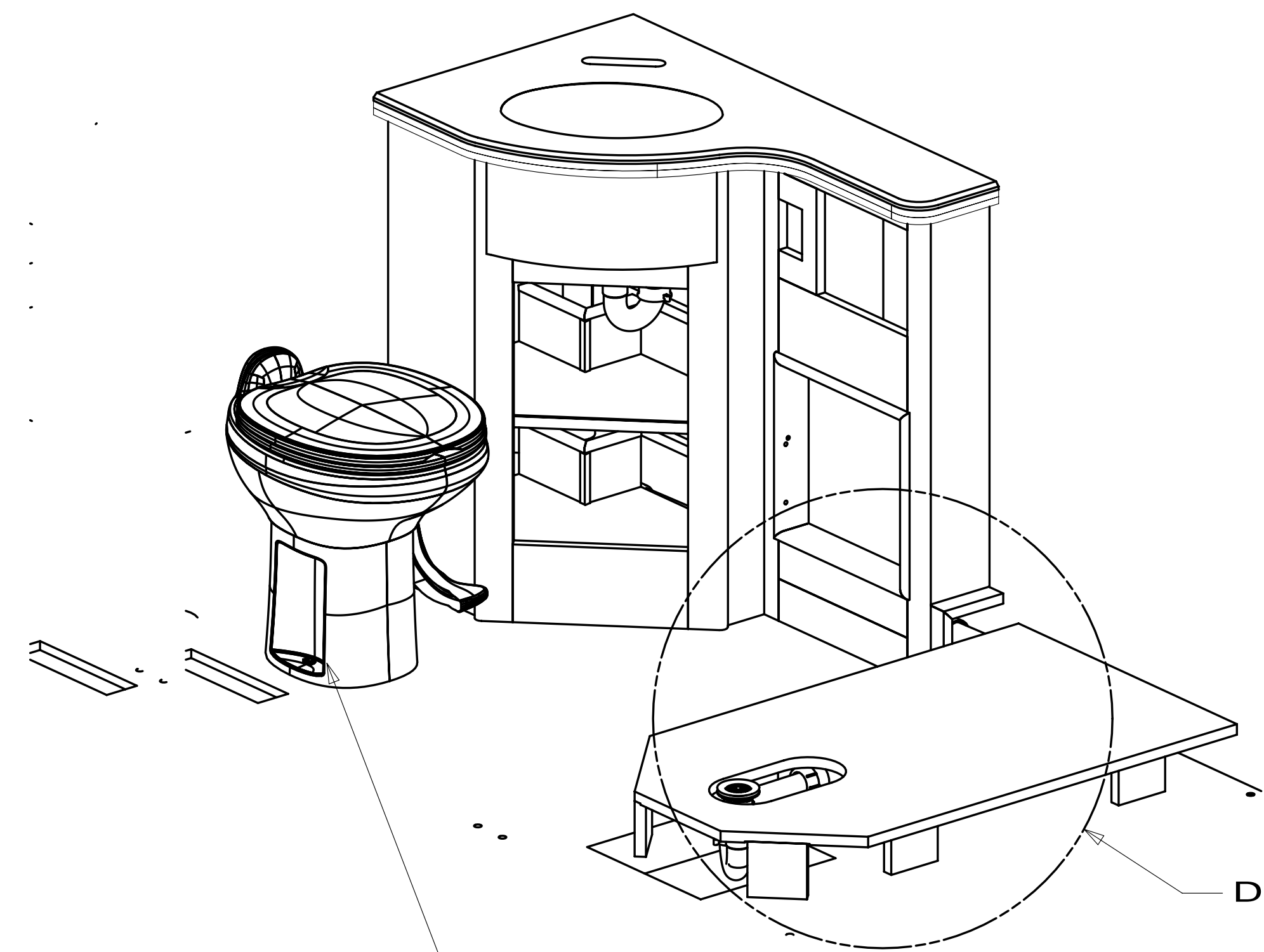
- SINK
- 184806-01-CHT
- STRAINER
- 092303-01-000(2) 4
- BRACKET
- 140002-01-CHT(8)
- SCREW
- 142261-02-CHT(8)
- SEAL (A/R)



DETAIL F  
(SHOWN W/OUT FLOOR & CABINETS)

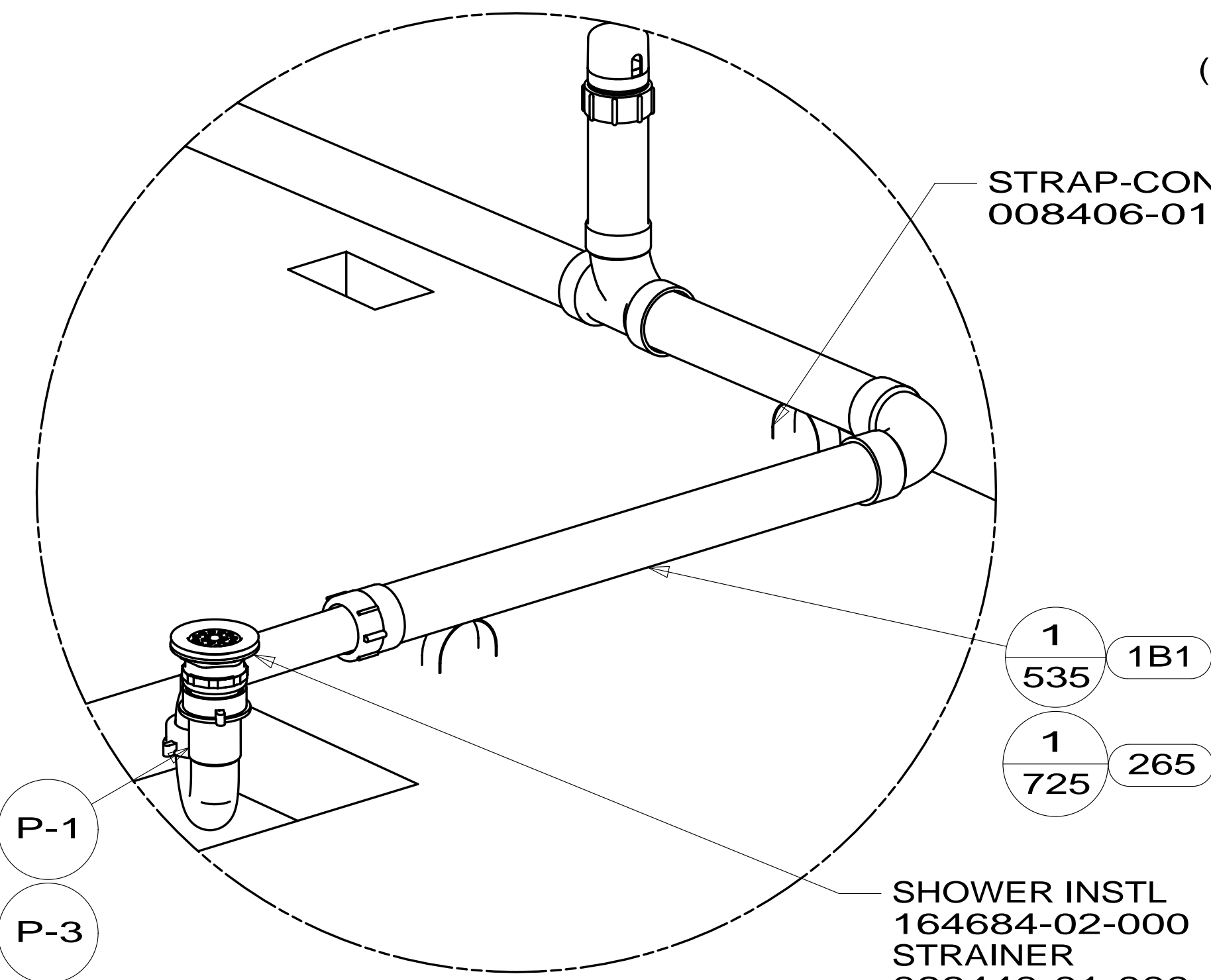


VIEW C  
(SHOWN W/OUT COUNTERTOP)



VIEW B

- TOILET
- 160815-01-CHT
- SCREW
- 087721-01-000 (8)



DETAIL E  
(SHOWN W/OUT CABINETS)

- 1B1 P-1
- 265 P-3
- 1B1 A-15

- 1 1B1
- 535
- 1 265
- 725

- SHOWER INSTL
- 164684-02-000
- STRAINER
- 066440-01-000
- TAILPIECE
- 011069-02-000
- NUT
- 130403-02-000
- WASHER-RUBBER
- 127440-02-CHT

FIRST USED	13 J32H	
DO NOT SCALE DRAWING		
TITLE: DRAINAGE SYSTEM INSTL		
SHEET 3	PART NO 180111	REV

BRACKET-TANK,HOLDING  
162818-01-CHT  
BOLT  
000C12-08-32B (2)

3483

TANK-HOLDING  
161396-02-CHT

FOAM  
100619-05-000  
200 X 600

FOAM  
100619-05-000  
200 X 600

FOAM  
100619-04-000  
100 X 200

TANK-HOLDING  
161397-02-CHT

2464

PLATFORM-HOLDING TANK  
126714-08-000

N-5

C-2

2  
535

HOLDER-RING  
141443-01-CHT

PLATFORM-HOLDING TANK  
126714-42-000

BRACKET-ANGLE,W/HOLES  
094756-02-CHT

N-3

C-2

2  
115

E-13

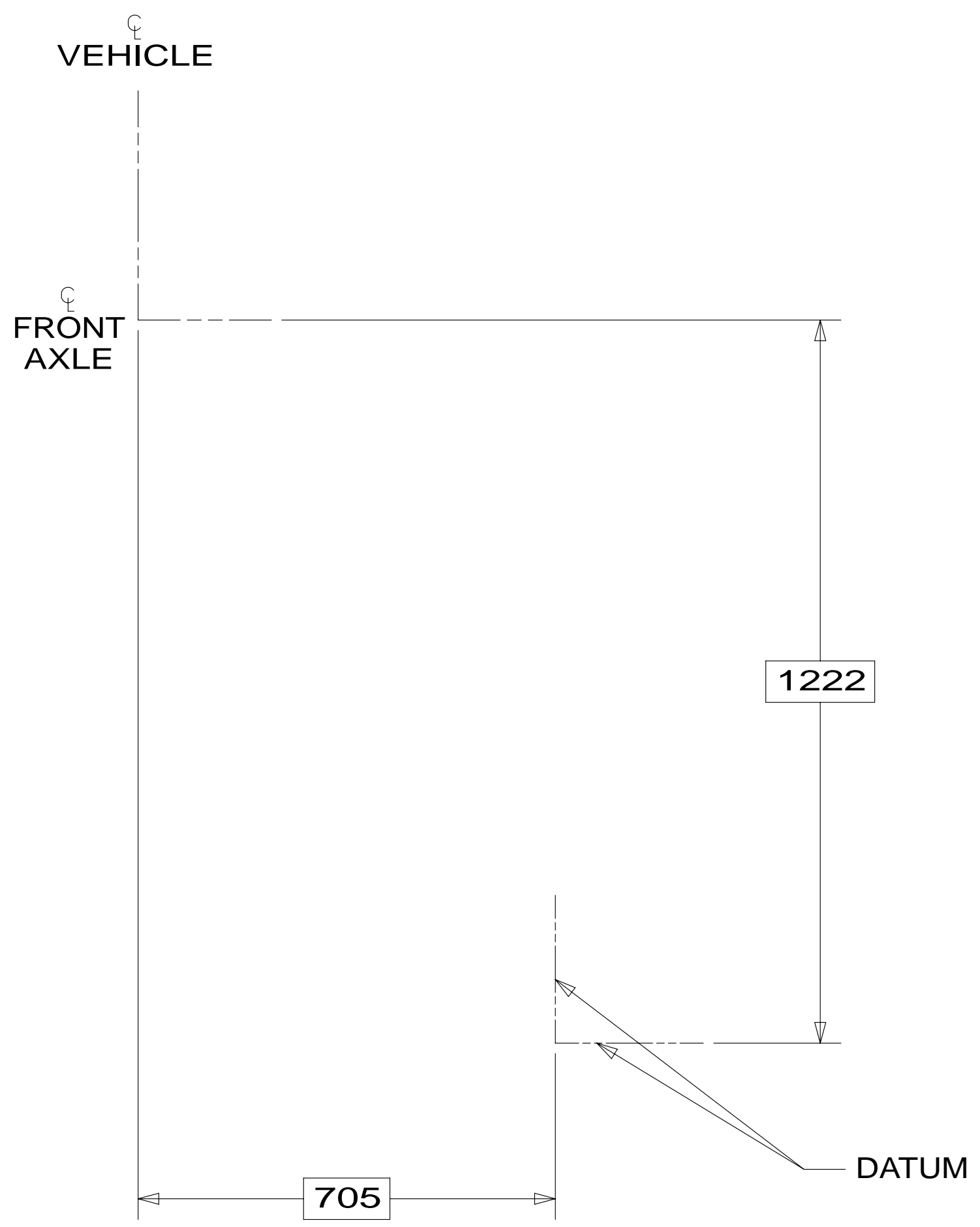
2  
275

V-11

H-1

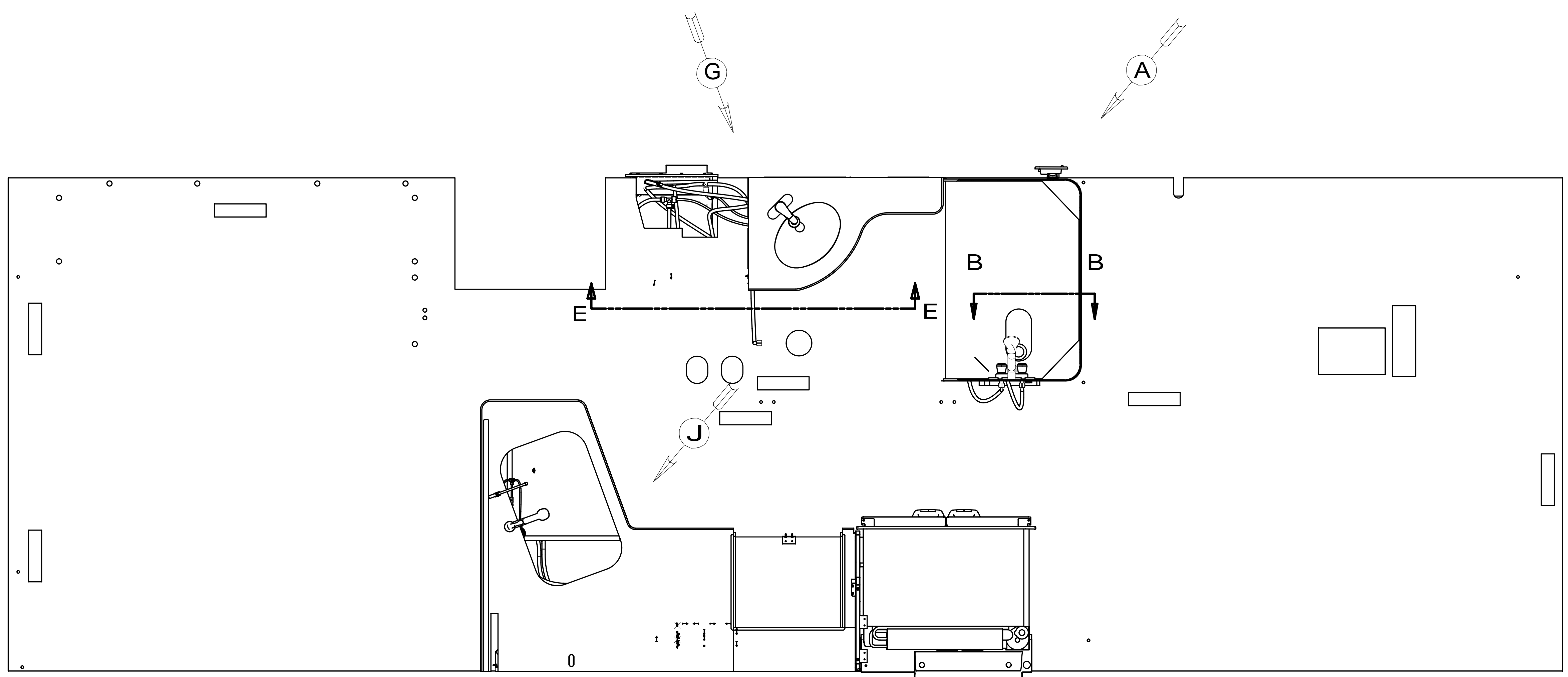
2  
85

E-11



TOP VIEW  
(SHOWING TANKS AND DRAINS)

FIRST USED	13 J32H		
TITLE:	DO NOT SCALE DRAWING		
TITLE:	DRAINAGE SYSTEM INSTL		
SHEET 4	PART NO	180111	REV
			1 23-Apr-2013



- 144 REFRIGERATOR-DOUBLE DOOR
- 15U REFRIGERATOR/FRZR-W/ICEMAKER
- 29B WATER PURIFIER
- 1B2 WTR HTR-10 GAL/ELEC/LP/MTRAIID
- 53E WATER SYS WINTERIZATION PKG

9. FLUSHING SYSTEM REQUIRES 125697-06-000 INSTRUCTION SHEET.
8. ALL CRIMP FITTINGS TO 1/2" PEX TUBING REQUIRE 1/2" CLAMP 140171-03-000.
7. ALL CRIMP FITTINGS TO 5/8" PEX TUBING REQUIRE 5/8" CLAMP 140171-04-000.
6. LABEL HOT AND COLD SUPPLY TUBES AND TAPE FITTING TO TUBE BEFORE CABINET SET TO PREVENT MOVEMENT.
5. ADD PIPE WRAP (LADDER SCRAP 110157-02-000) INSULATION.
4. ADD TEFLON TAPE 010405-02-000.
3. ALL TUBING TO BE SECURED AT 1200 INTERVALS MAXIMUM WITH CLAMP 010495-01-000 AND SCREW 000G67-10-12B OR EQUIVALENT.
2. TUBING TO BE INSTALLED WITH SUFFICIENT SLOPE TO PROVIDE DRAINAGE TO NEAREST VALVE.
1. PLASTIC FITTINGS TO BE SEALED WITH SEALANT 084456-01-000.

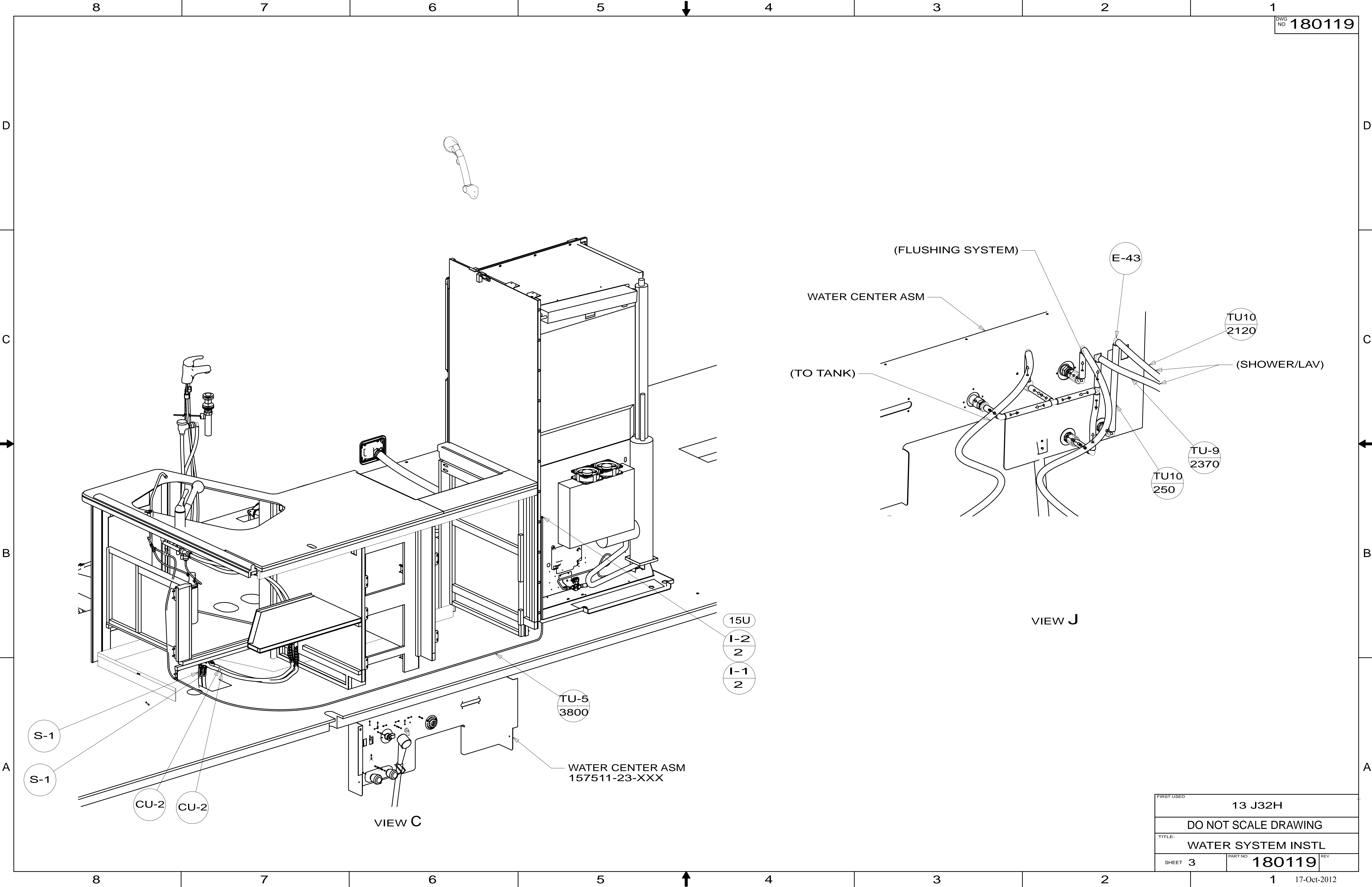
NOTES:

FOR WATER CALLOUTS SEE DWG NO 116230-01-000

		COPYRIGHT 2012 WINNEBAGO INDUSTRIES, INC.	
DFTR	ORIG. DATE	ALL DIMENSIONS ARE IN MILLIMETERS	
CHKR			
P.E.			
M.E.	FIRST USED		
DSNR		13 J32H	
UNSPECIFIED TOLERANCES ARE:		MATERIAL:	
WHOLE DIM (X)	: 3		
ONE-PLACE (X.X)	: 1.5		
TWO-PLACE (X.XX)	: 0.50		
ANGLE	: 1°		
THIRD ANGLE PROJECTION			
DO NOT SCALE DRAWING		REFER TO ES0018 FOR FASTENER TIGHTENING GUIDELINES	
TITLE: WATER SYSTEM INSTL			
SHEET 1 OF 5	PART NO	180119	REV
REF:	1	17-Oct-2012	







FIRST USED	13 J32H	
TITLE:	DO NOT SCALE DRAWING	
	WATER SYSTEM INSTL	
SHEET 3	PART NO 180119	REV

PANEL-ACCESS, 10 GAL  
161482-05-CHT

PANEL-COVER, WATER SYSTEM  
173593-01-CHT  
SCREW  
000G39-08-08B(4)

PANEL ASM-VALVE, BYPASS  
180926-01-XXX

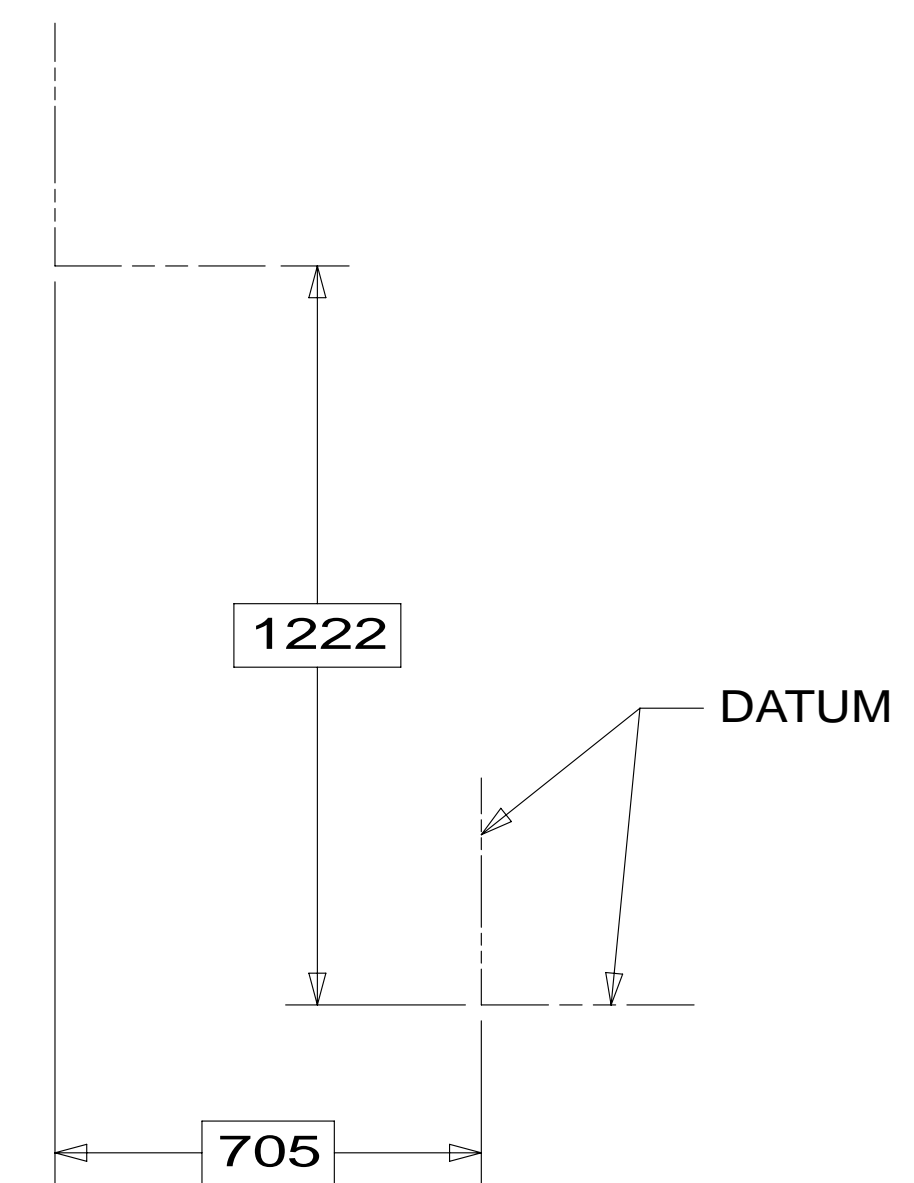
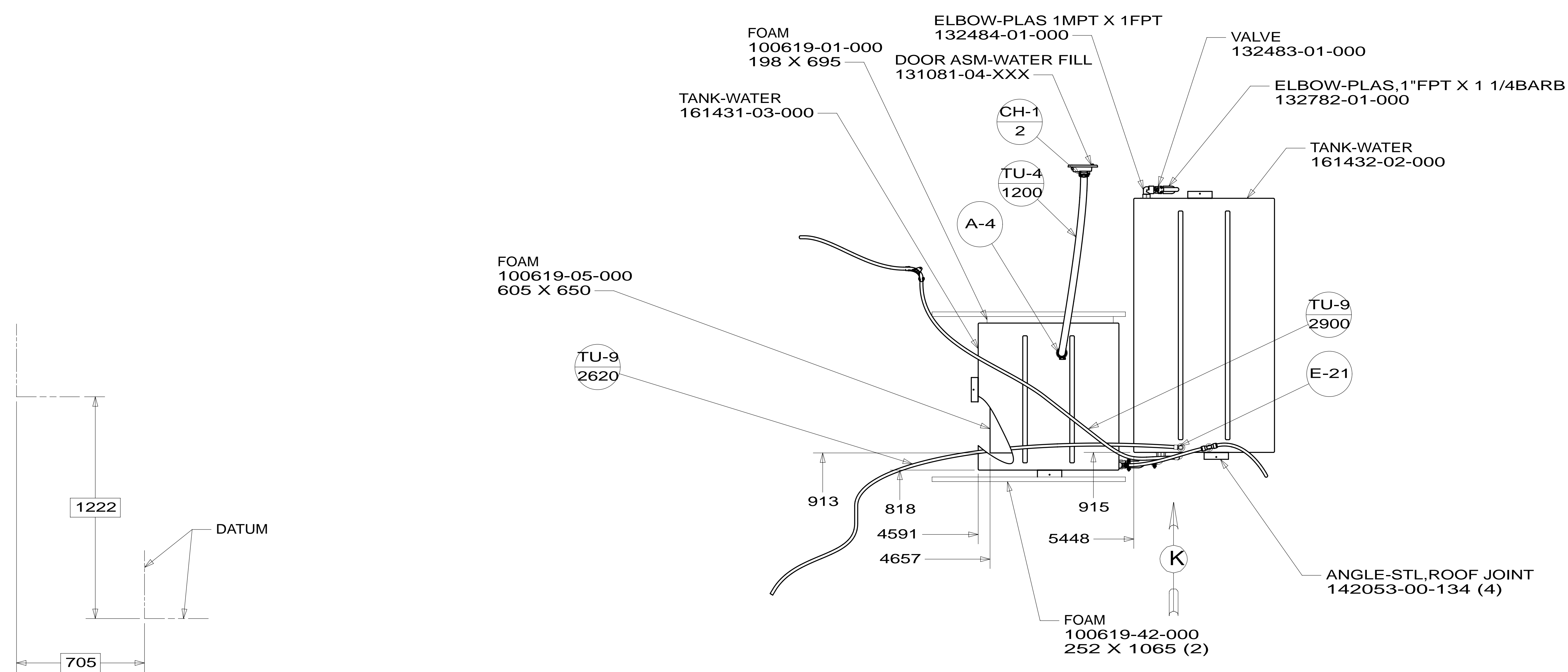
WATER HEATER  
145541-01-000  
DOOR  
125420-03-CHT  
BUMPER INSTL  
146507-01-000

DETAIL F  
(SHOWN W/OUT ACCESS-PANEL)

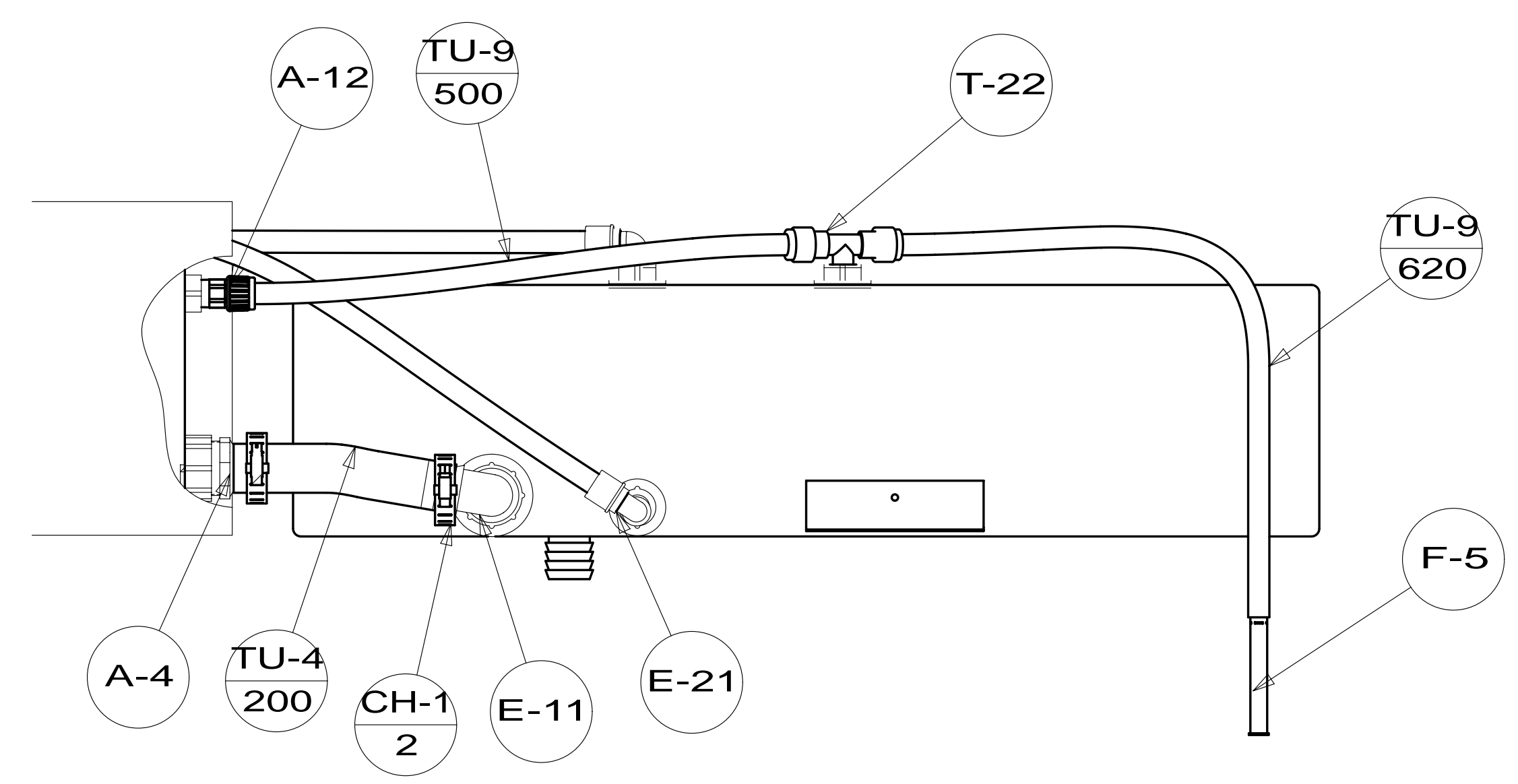
SECTION E-E

FIRST USED	13 J32H		
TITLE:	DO NOT SCALE DRAWING		
TITLE:	WATER SYSTEM INSTL		
SHEET 4	PART NO	180119	REV





(ONLY SHOWING TANKS AND PIPING UNDER FLOOR)



VIEW K

FIRST USED	13 J32H	
TITLE:	DO NOT SCALE DRAWING	
TITLE:	WATER SYSTEM INSTL	
SHEET 5	PART NO 180119	REV