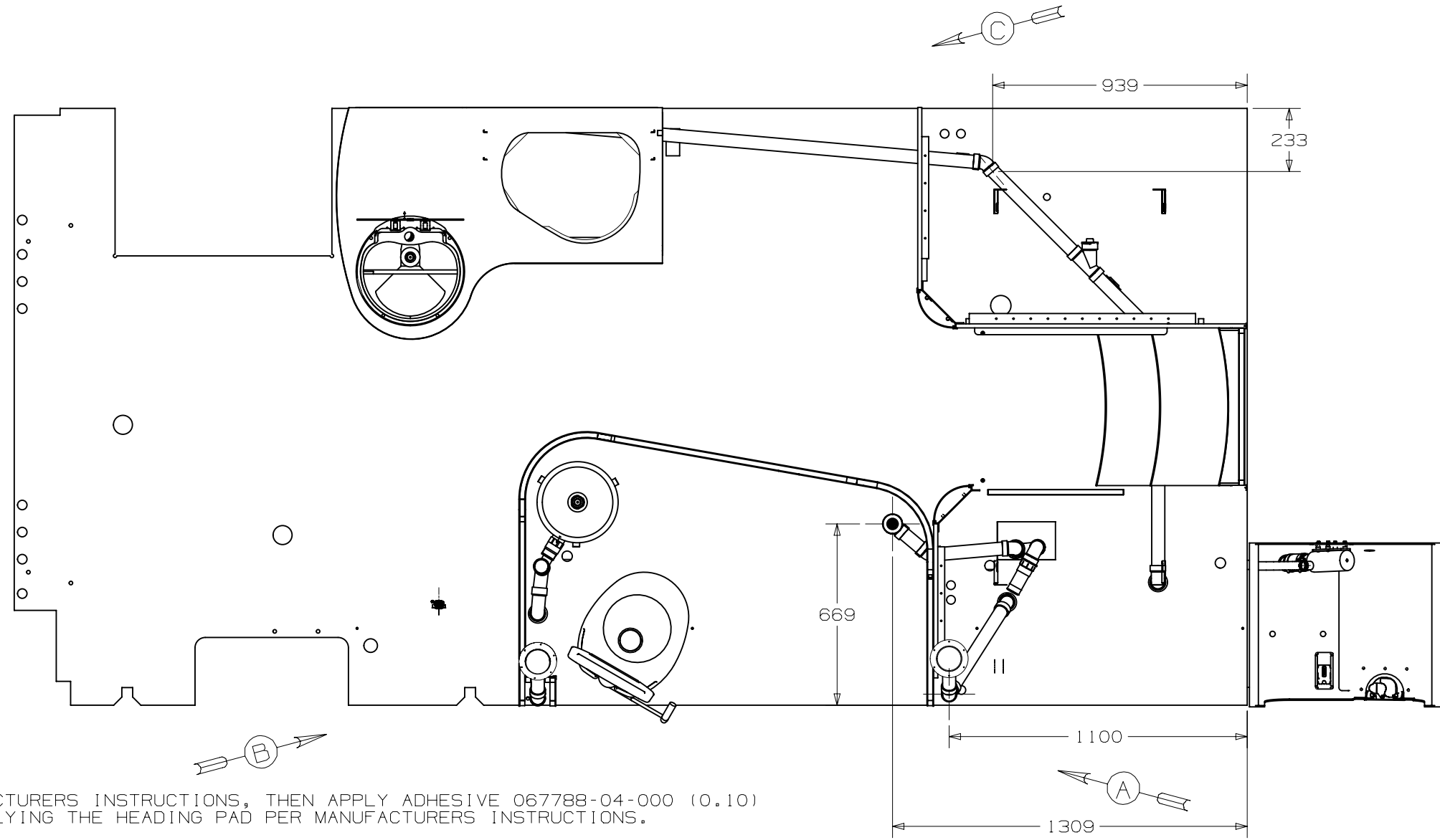


REV	ZONE	REVISION RECORD	DATE	DWG NO	1
-----	------	-----------------	------	--------	---



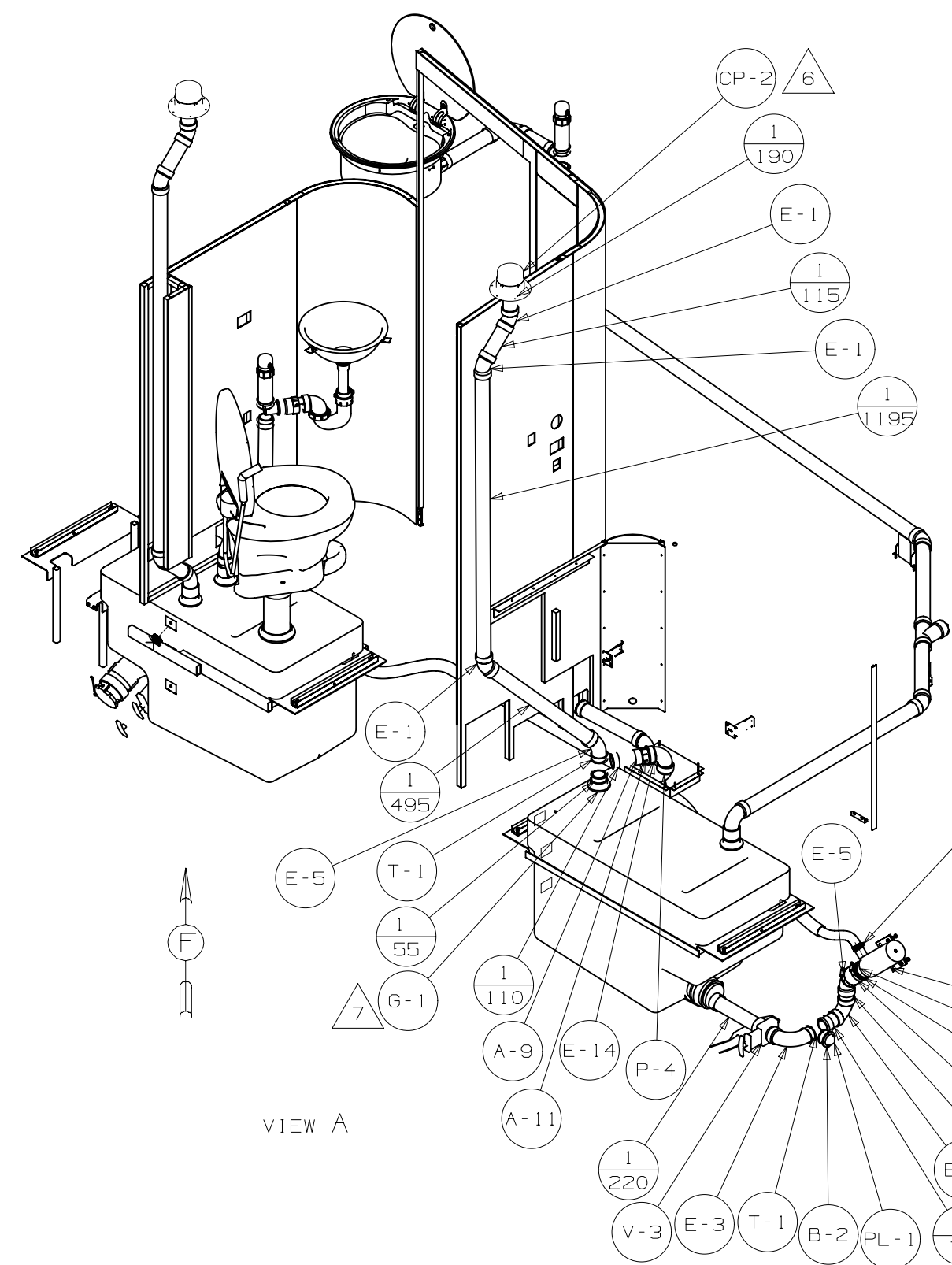
- (23R) DRAINAGE SYSTEM/HEAT-PREWIRE
- (1JD) DRAINAGE SYSTEM-HEATED-W/O
- (23T) DRAINAGE SYSTEM-HEATED
- (464) TOILET
- (265) CODES/STANDARDS-CSA/CMVSS
- (1B1) CODES/STANDARDS USA

- NOTES:
9. PREP THE SURFACE PER MANUFACTURERS INSTRUCTIONS, THEN APPLY ADHESIVE 067788-04-000 (0.10) ON PREPARED AREA BEFORE APPLYING THE HEADING PAD PER MANUFACTURERS INSTRUCTIONS.
  8. FOLLOW SEWAGE MACERATOR PUMP WINTERIZATION PROCEDURE. EACH PUMP REQUIRES TWO GALLONS OF RV ANTIFREEZE 182955-01-000.
  7. SECURE VENT PIPE TO FLOOR WITH CLAMP 062401-02-000 (2), SCREW 000667-10-12U (2), BRACKET 136878-01-CHT (2).
  6. VENT PIPE MUST PROJECT 51 MIN AND 64 MAX ABOVE ROOF FOR PROPER FIT AND FUNCTION. ADD S-1 (1116666-01-CHT SEAL-VENT PIPE) AROUND PIPE ON ROOF BEFORE VENT CAP IS INSTALLED.
  5. SEAL AROUND SHOWER WITH SILICONE.
  4. SECURE DRAINAGE PIPES TO CABINET USING WIRE TIE 108046-02-000, AND SCREW 000667-10-12U AT INTERVALS OF NOT MORE THAN 4 FEET APART.
  3. ALL PIPE AND FITTINGS TO BE ASSEMBLED WITH SOLVENT 004020-01-000 (USA), 004020-02-000 (CAN)
  2. SLOPE OF TRAP ARM MUST BE 6 PER 305 mm.
  1. SLOPE OF HORIZONTAL PIPING TO BE MINIMUM OF 3 PER 305 mm.

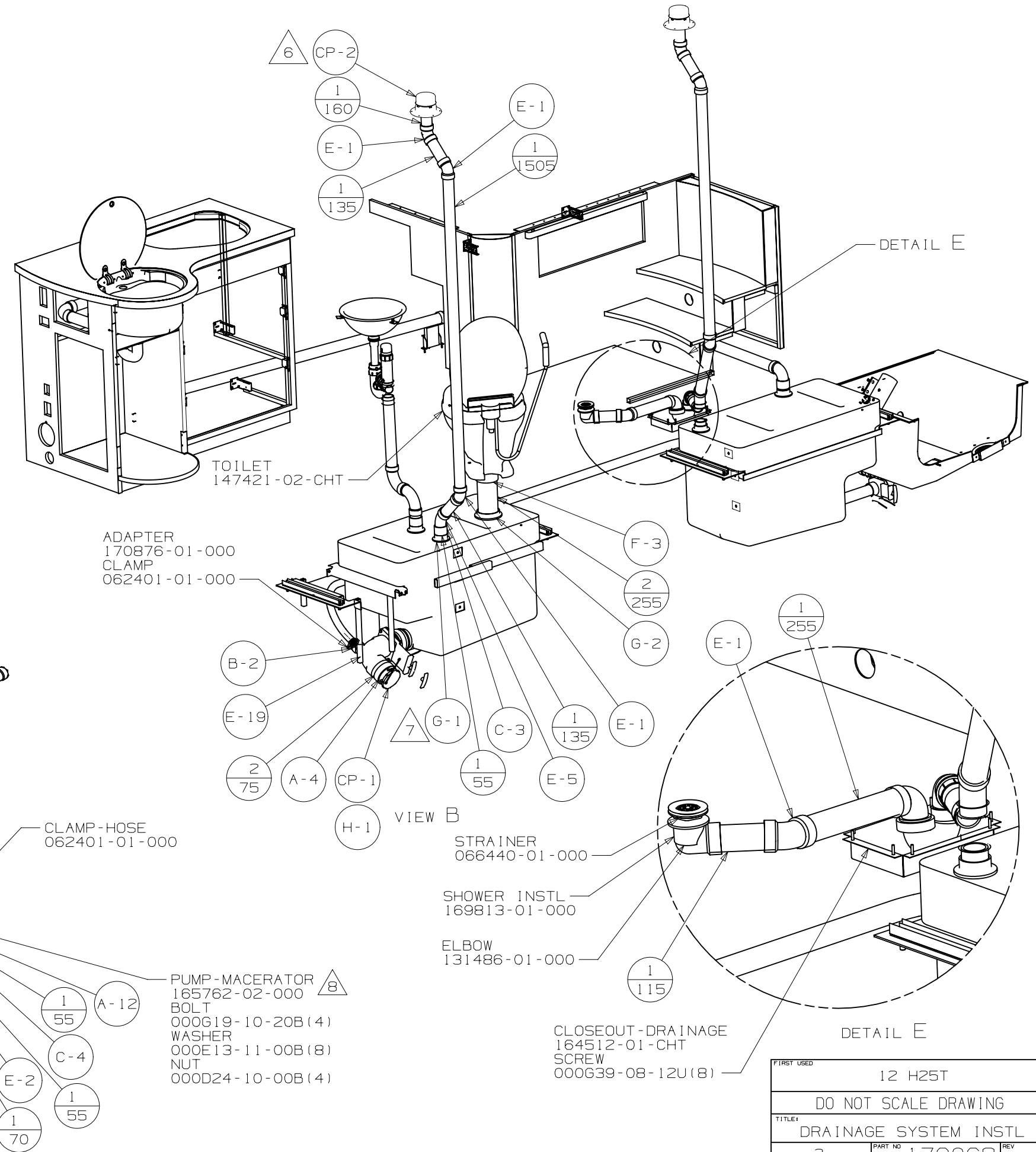
FOR DRAINAGE CALLOUTS SEE DWG NO 116229-01-000

**WINNEBAGO** INDUSTRIES, INC. COPYRIGHT 2014

DFTR	ORIG. DATE
CHKR	ALL DIMENSIONS ARE IN MILLIMETERS
P.E.	
M.E.	FIRST USED
DSNR	12 H25T
UNSPECIFIED TOLERANCES ARE:	
WHOLE DIM (X)	: 3
ONE-PLACE (X.X)	: 1.5
TWO-PLACE (X.XX)	: 0.50
ANGLE	: 1°
THIRD ANGLE PROJECTION	
DO NOT SCALE DRAWING	REFER TO ES0018 FOR FASTENER TIGHTENING GUIDELINES
TITLE: DRAINAGE SYSTEM INSTL	
SHEET 1 OF 4	PART NO 179068
REF: 1	

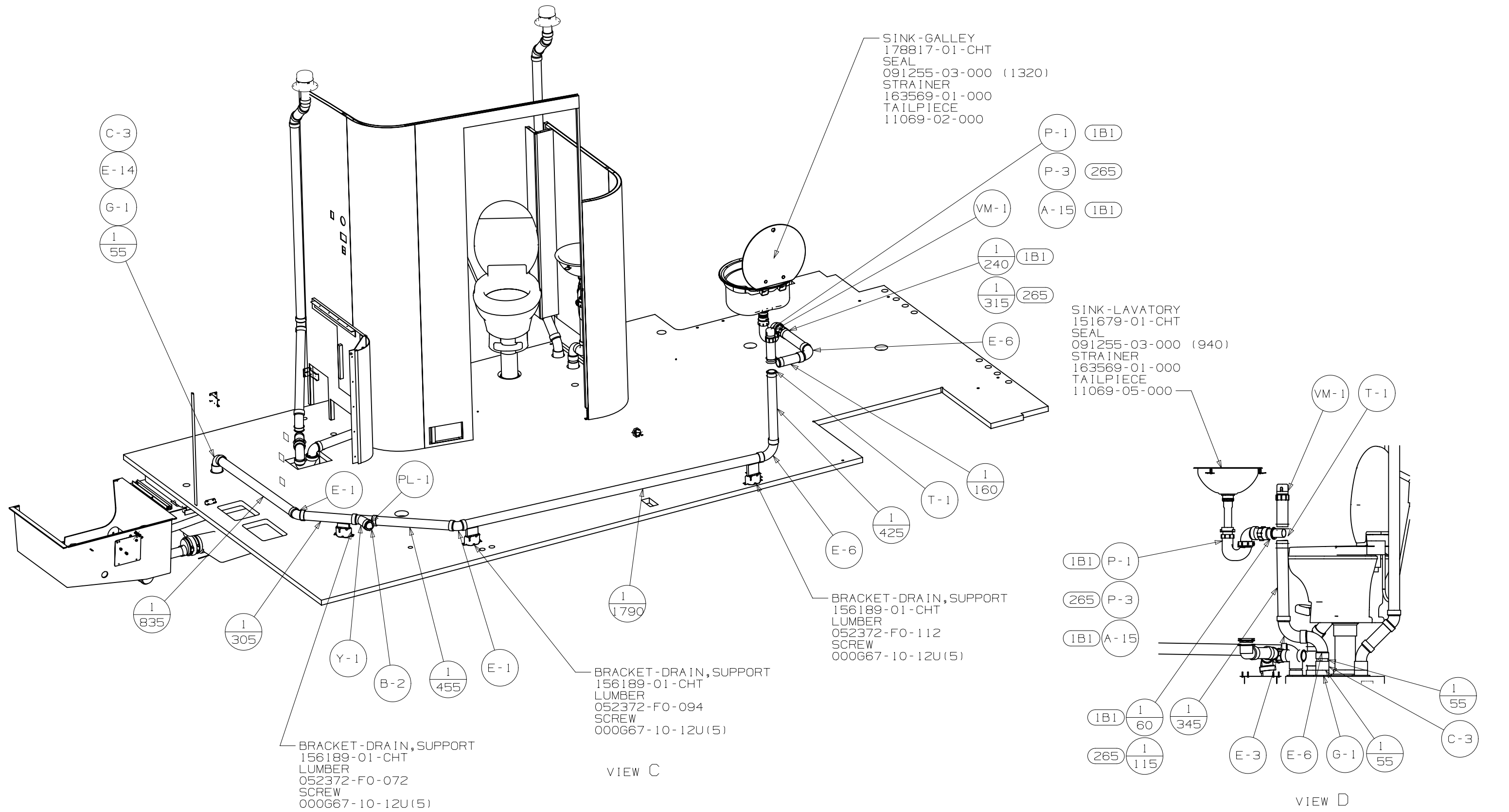


VIEW A



VIEW B

FIRST USED	12 H25T
DO NOT SCALE DRAWING	
TITLE: DRAINAGE SYSTEM INSTL	
SHEET 2	PART NO 179068 REV



SINK - GALLEY  
 178817-01-CHT  
 SEAL  
 091255-03-000 (1320)  
 STRAINER  
 163569-01-000  
 TAILPIECE  
 11069-02-000

P-1 (1B1)  
 P-3 (265)  
 VM-1 (1B1)  
 A-15 (1B1)

SINK-LAVATORY  
 151679-01-CHT  
 SEAL  
 091255-03-000 (940)  
 STRAINER  
 163569-01-000  
 TAILPIECE  
 11069-05-000

BRACKET - DRAIN, SUPPORT  
 156189-01-CHT  
 LUMBER  
 052372-F0-112  
 SCREW  
 000667-10-12U(5)

BRACKET - DRAIN, SUPPORT  
 156189-01-CHT  
 LUMBER  
 052372-F0-094  
 SCREW  
 000667-10-12U(5)

BRACKET - DRAIN, SUPPORT  
 156189-01-CHT  
 LUMBER  
 052372-F0-072  
 SCREW  
 000667-10-12U(5)

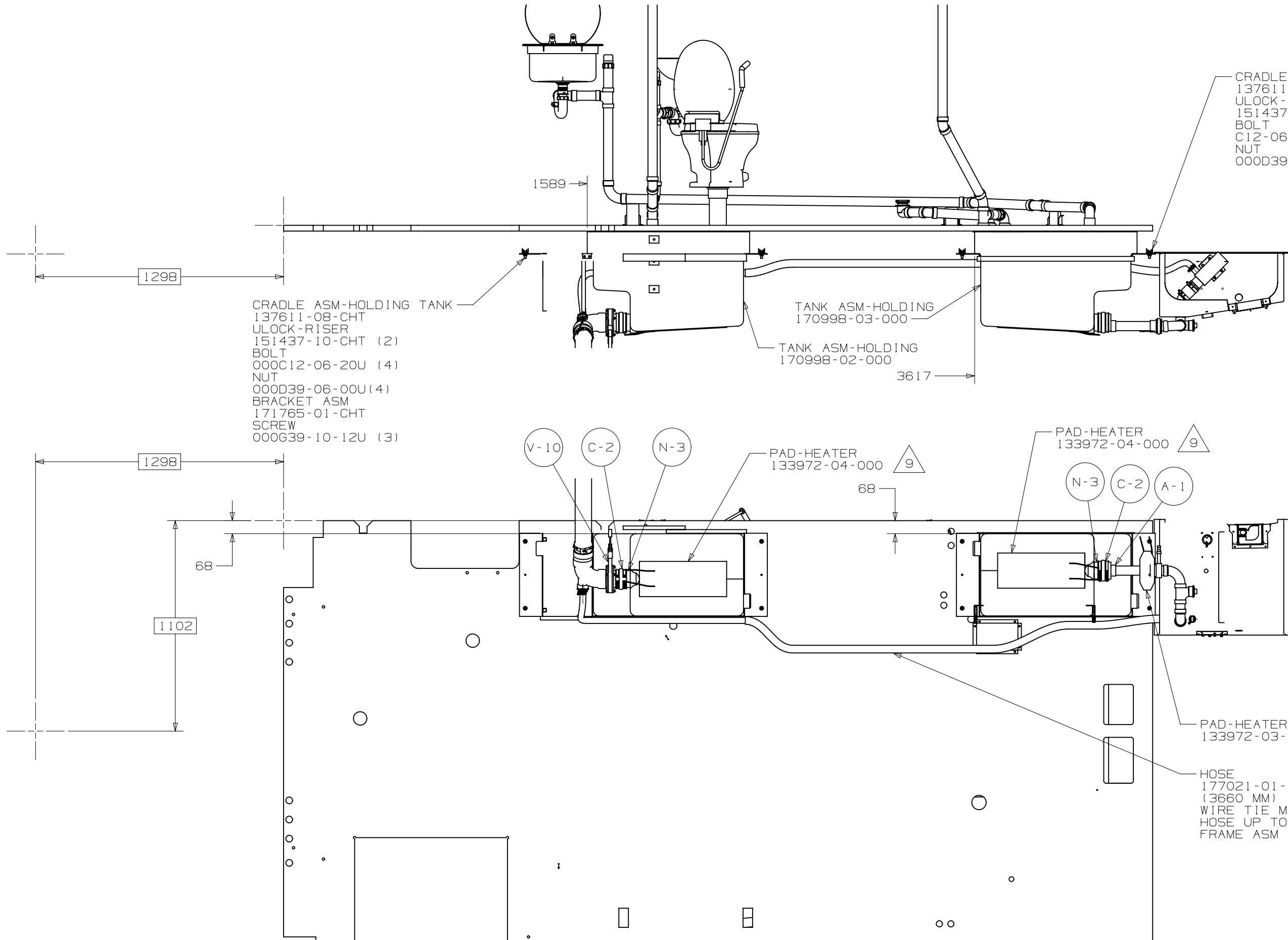
VIEW C

(1B1) P-1  
 (265) P-3  
 (1B1) A-15

(1B1) 1/60  
 (265) 1/115  
 1/345  
 1/55

VIEW D

FIRST USED	12 H25T		
TITLE:	DO NOT SCALE DRAWING		
	DRAINAGE SYSTEM INSTL		
SHEET 3	PART NO	179068	REV



CRADLE ASM-HOLDING TANK  
 137611-08-CHT  
 ULOCK-RISER  
 151437-10-CHT (2)  
 BOLT  
 000C12-06-20U (4)  
 NUT  
 000D39-06-00U (4)  
 BRACKET ASM  
 171765-01-CHT  
 SCREW  
 000G39-10-12U (3)

CRADLE ASM-HOLDING TANK  
 137611-04-CHT  
 ULOCK-RISER  
 151437-10-CHT (2)  
 BOLT  
 C12-06-20U (4)  
 NUT  
 000D39-06-00U (4)

TANK ASM-HOLDING  
 170998-03-000  
 TANK ASM-HOLDING  
 170998-02-000

PAD-HEATER  
 133972-04-000

PAD-HEATER  
 133972-04-000

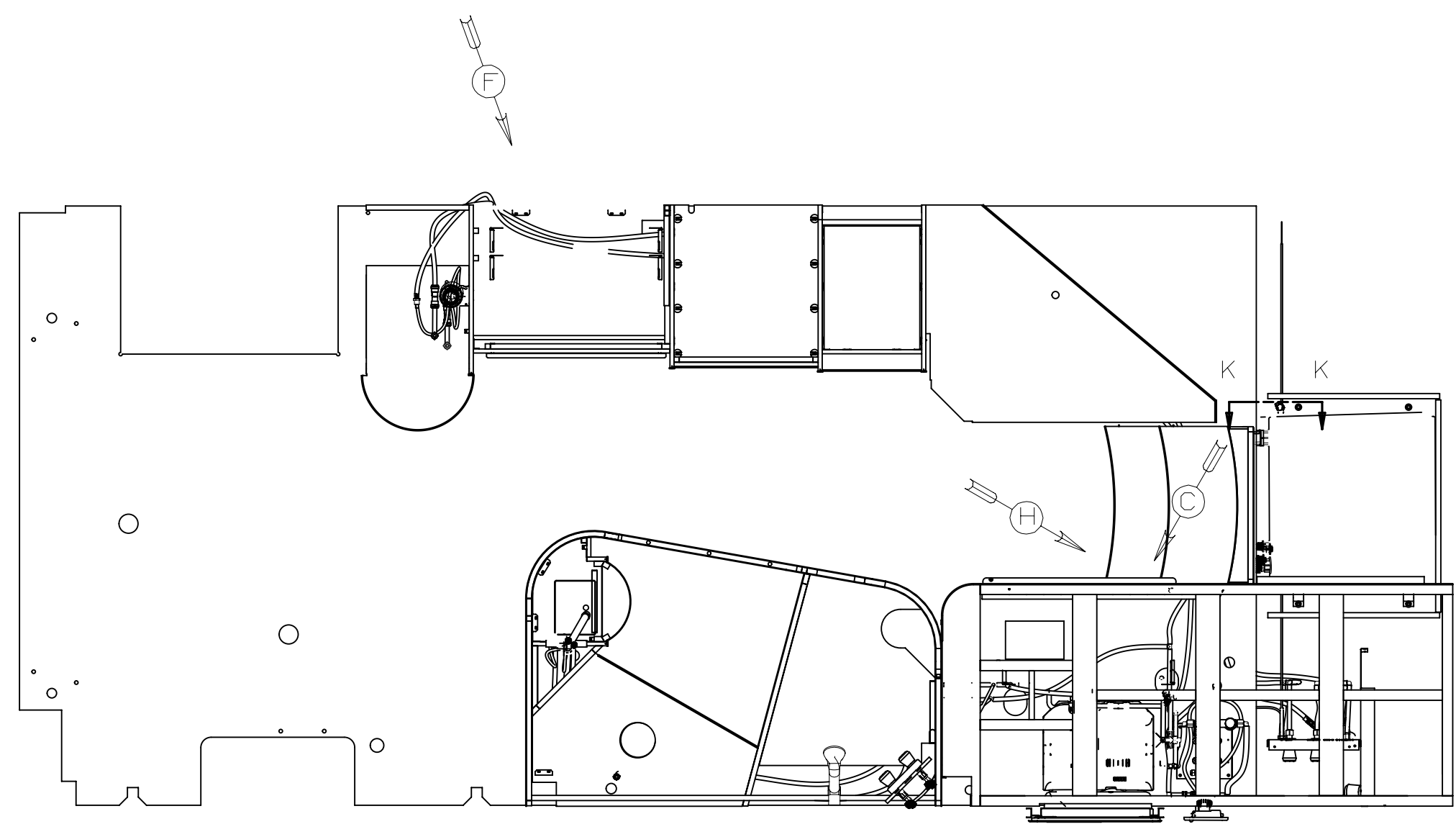
PAD-HEATER  
 133972-03-000

HOSE  
 177021-01-000  
 (3660 MM)  
 WIRE TIE MACERATOR PUMP  
 HOSE UP TO THE CHASSIS  
 FRAME ASM

VIEW F

FIRST USED	12 H25T	
TITLE:	DO NOT SCALE DRAWING	
	DRAINAGE SYSTEM INSTL	
SHEET 4	PART NO 179068	REV

REV	ZONE	REVISION RECORD	DATE	DFTR-ORIG



- 1. PLASTIC FITTINGS TO BE SEALED WITH SEALANT 084456-01-000.
- 2. TUBING TO BE INSTALLED WITH SUFFICIENT SLOPE TO PROVIDE DRAINAGE TO NEAREST VALVE.
- 3. ALL TUBING TO BE SECURED AT 1200 INTERVALS MAXIMUM WITH CLAMP 010495-01-000 AND SCREW 000667-10-12U OR EQUIVALENT.
- 4. ADD TEFLON TAPE 010405-02-000.
- 5. ADD PIPE WRAP (LADDER SCRAP 110157-02-000) INSULATION.
- 6. LABEL HOT AND COLD SUPPLY TUBES AND TAPE FITTING TO TUBE BEFORE CABINET SET TO PREVENT MOVEMENT.
- 7. ALL CRIMP FITTINGS TO 5/8" PEX TUBING REQUIRE 5/8" CLAMP 140171-04-000.
- 8. ALL CRIMP FITTINGS TO 1/2" PEX TUBING REQUIRE 1/2" CLAMP 140171-03-000.
- 9. INSTALL CONNECTOR WITH TAPERED END AWAY FROM FAUCET.
- 10. LAVATORY FAUCET SPOUT TO BE TURNED 180° SO THE ON/OFF HANDLE IS FACING TOWARD THE SHOWER.
- 11. INSTALL BETWEEN MOUNTING PLATE AND RETAINING NUTS.

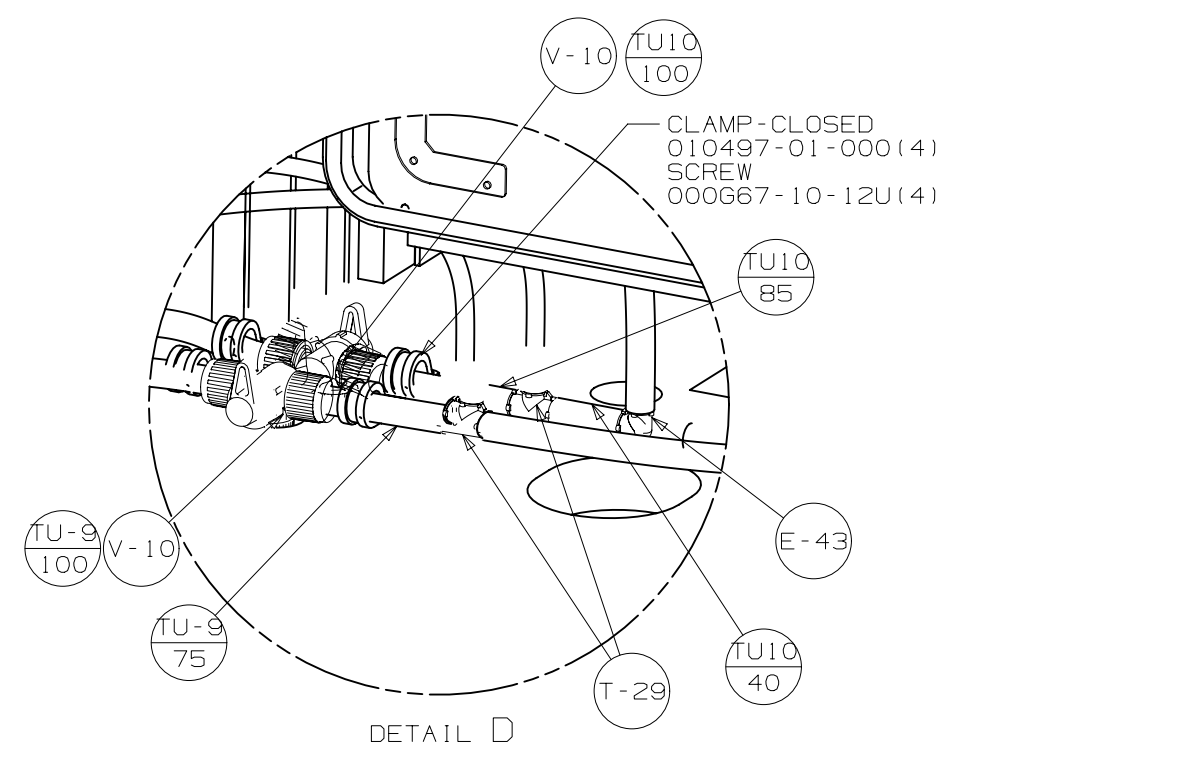
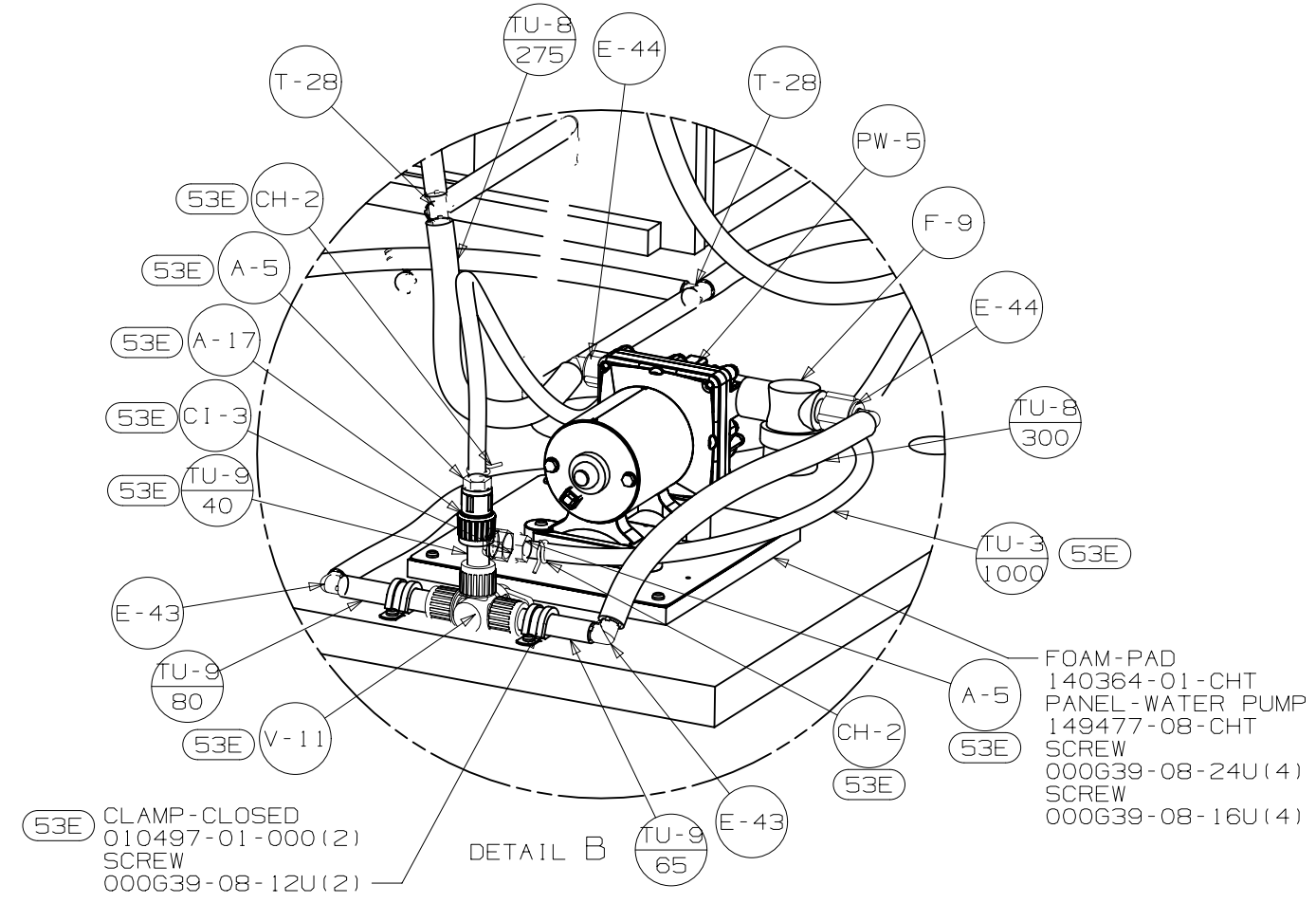
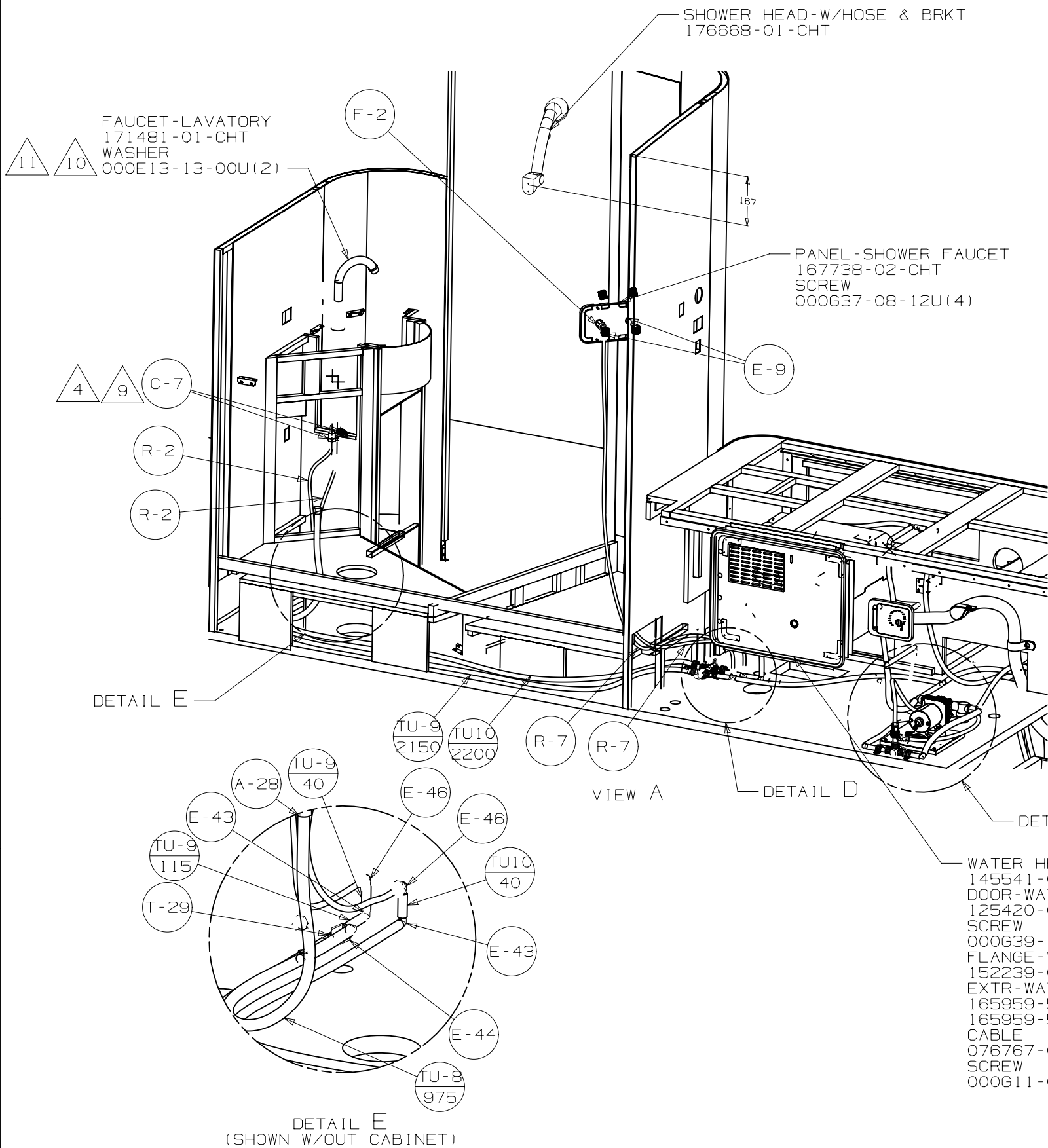
- 53E WATER SYS WINTERIZATION PKG
- 29B WATER PURIFIER
- 64R EXTERIOR WASH STATION

**WINNEBAGO** INDUSTRIES, INC. COPYRIGHT 2014

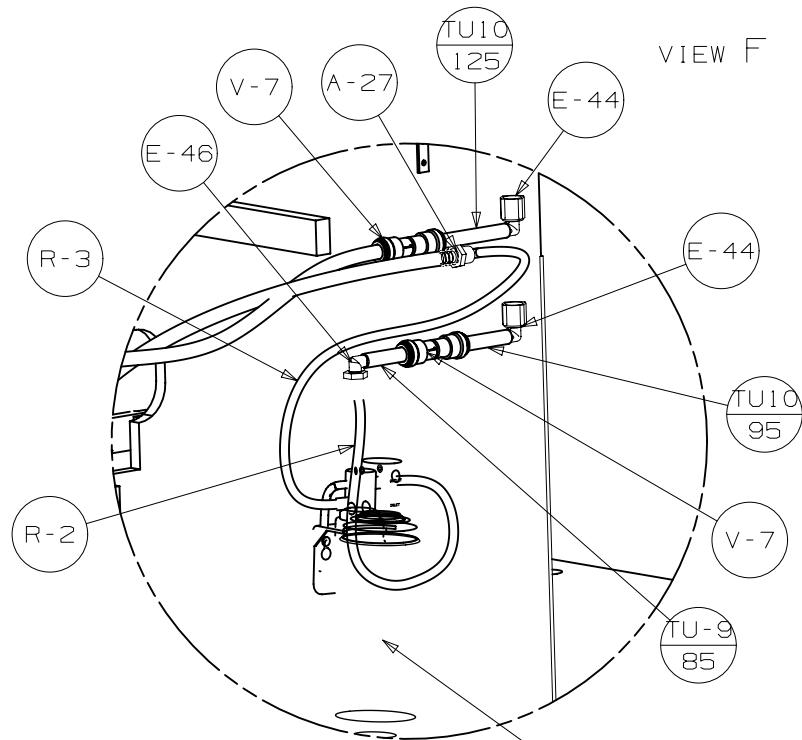
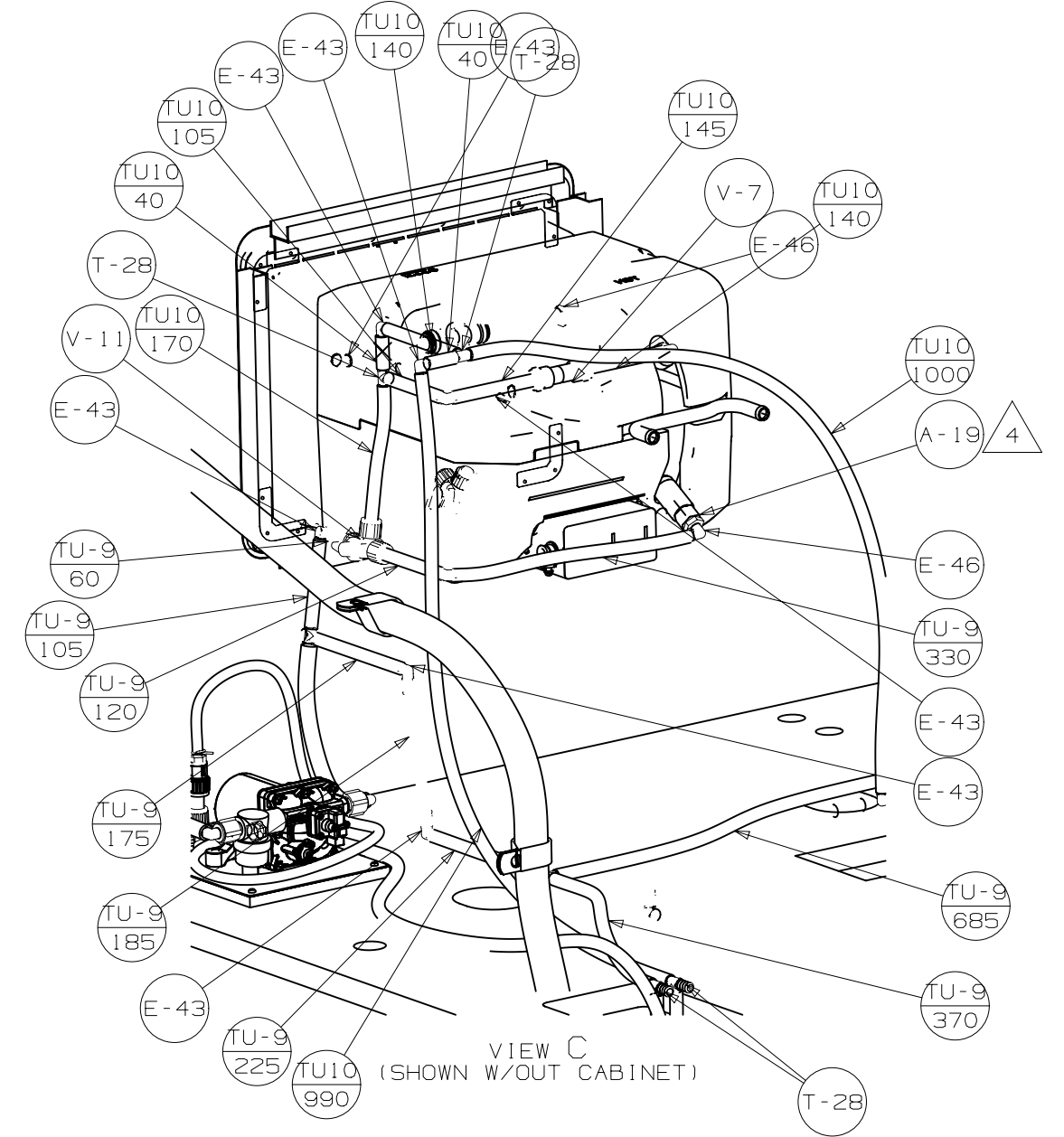
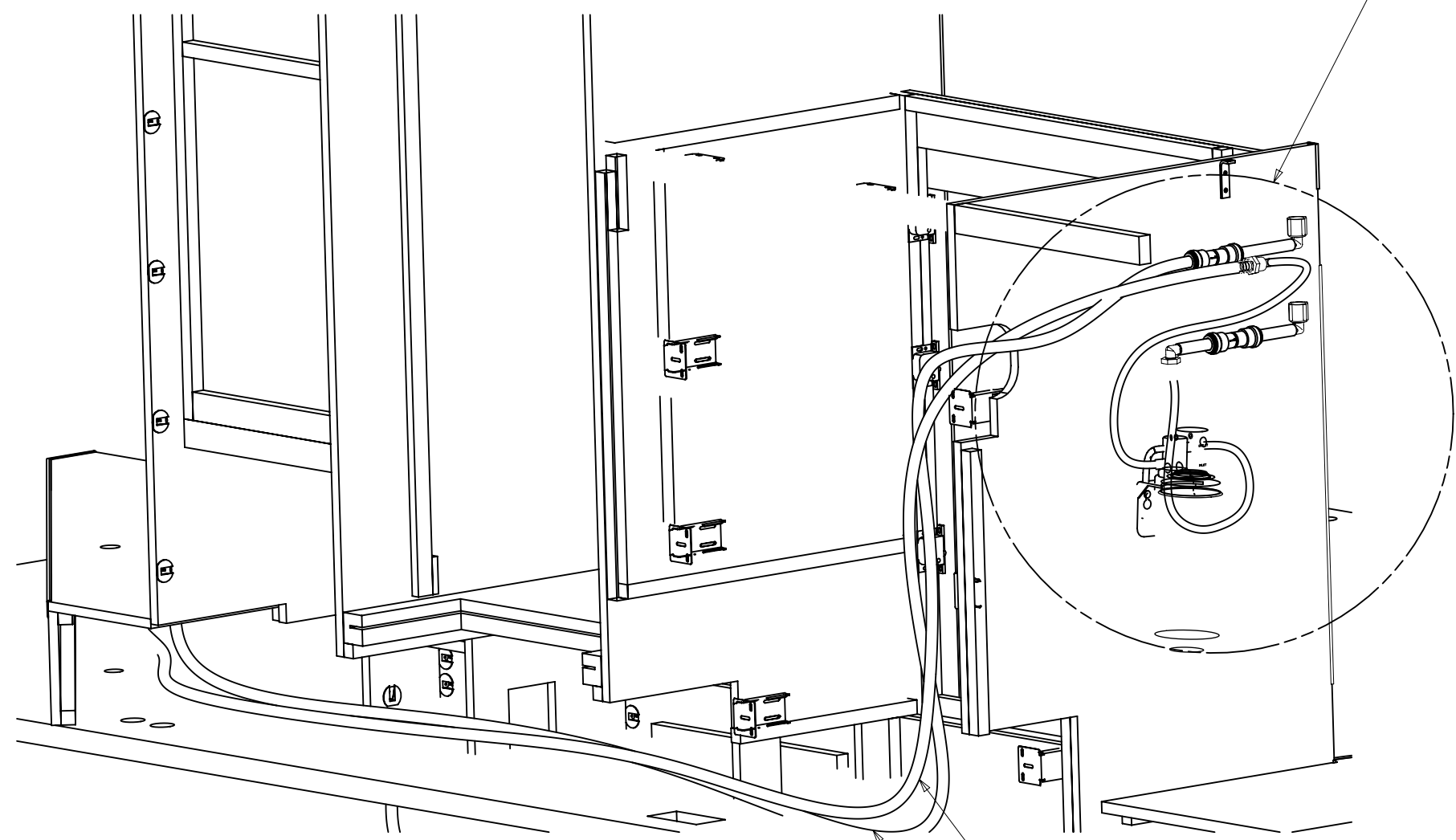
DFTR	ORIG. DATE
CHKR	ALL DIMENSIONS ARE IN MILLIMETERS
P.E.	
M.E.	FIRST USED
DSNR	13 H25T
UNSPECIFIED TOLERANCES ARE:	
WHOLE DIM (X)	: 3
ONE-PLACE (X.X)	: 1.5
TWO-PLACE (X.XX)	: 0.50
ANGLE	: 1°
THIRD ANGLE PROJECTION	
DO NOT SCALE DRAWING	REFER TO ES0018 FOR FASTENER TIGHTENING GUIDELINES
TITLE: WATER SYSTEM INSTL	
SHEET 1 OF 4	PART NO 182100

FOR WATER CALLOUTS SEE DWG NO 116230-01-000

NOTES:



FIRST USED	13 H25T	
TITLE:	DO NOT SCALE DRAWING	
	WATER SYSTEM INSTL	
SHEET 2	PART NO	182100
	REV	



DETAIL G  
 (29B)  
 FILTER KIT-WATER, SINK  
 160946-03-000  
 SCREW  
 000667-10-12U(2)

FIRST USED	13 H25T		
TITLE:	DO NOT SCALE DRAWING		
	WATER SYSTEM INSTL		
SHEET 3	PART NO	182100	REV

