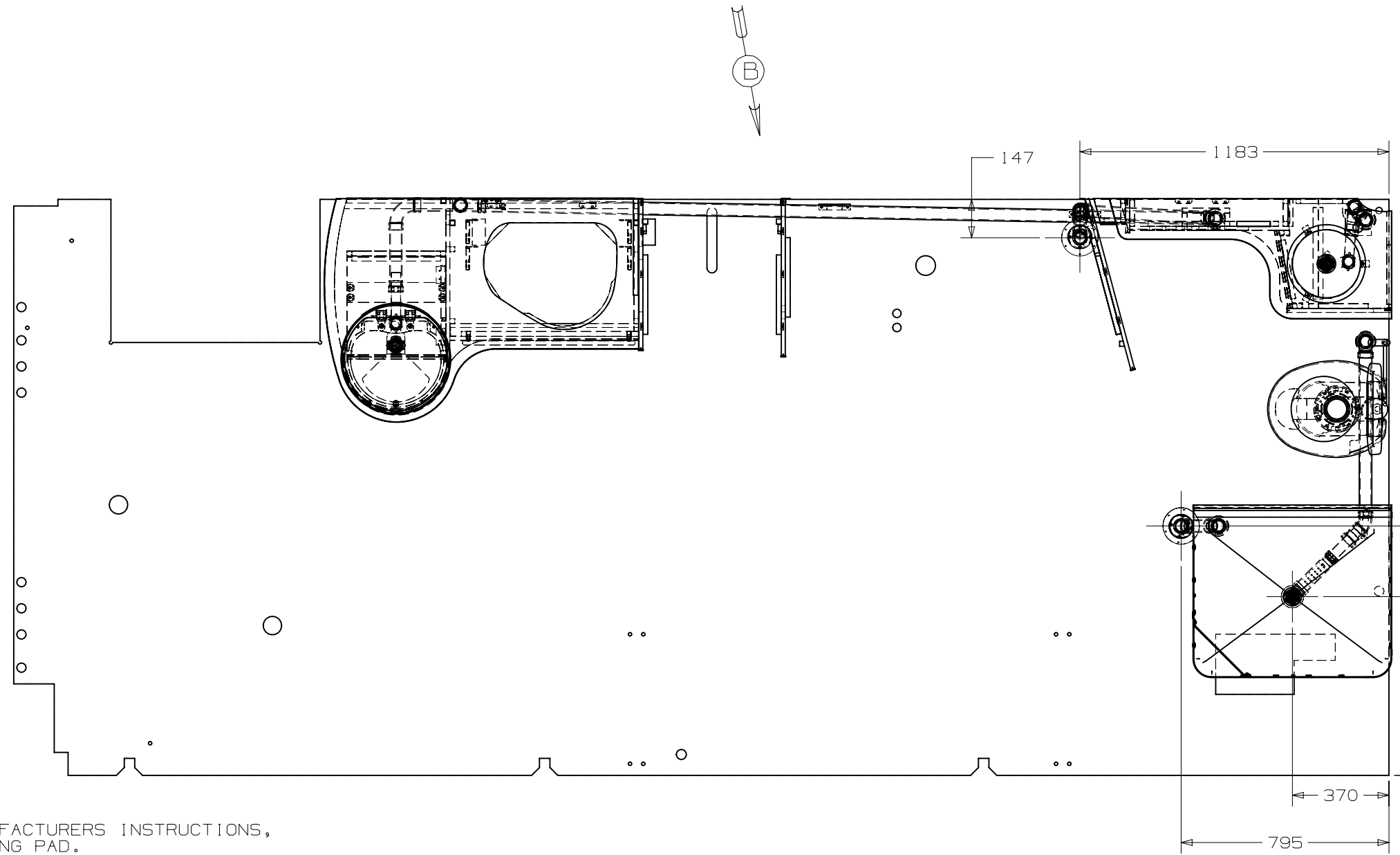


REV	ZONE	REVISION RECORD	DATE	DWG NO
				116229-01-000



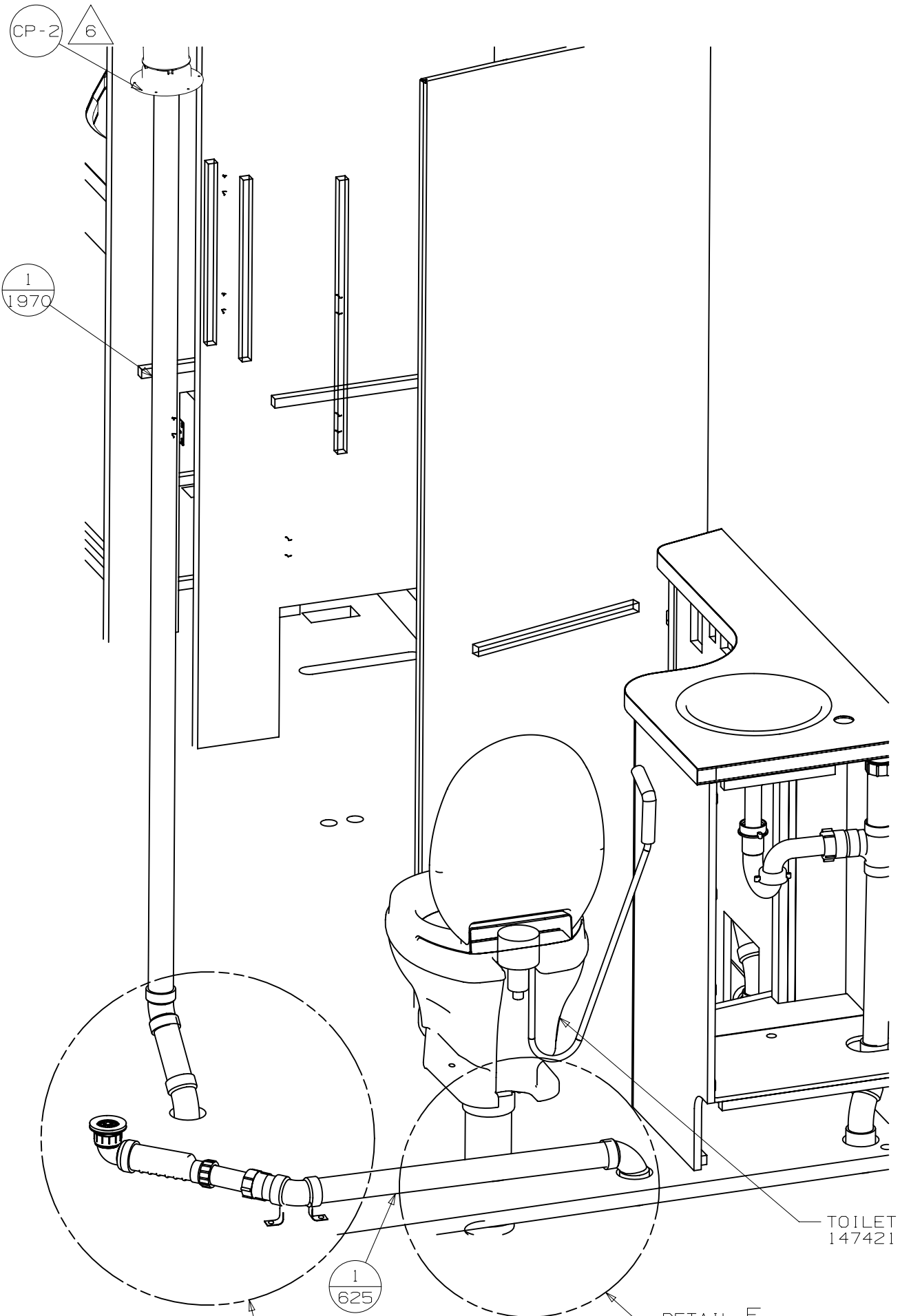
- NOTES:
10. PREP THE SURFACE PER MANUFACTURERS INSTRUCTIONS, BEFORE APPLYING THE HEATING PAD.
 9. WATERLESS P-TRAP MUST BE INSTALLED WITH THE RIBS POINTING DOWN
 8. U-LOCKS TO BE INSTALLED BEFORE THE FRAME ASM IS BOLTED DOWN TO THE CHASSIS AND BEFORE THE SEAL PLANES ARE INSTALLED.
 7. SECURE VENT PIPE TO FLOOR WITH CLAMP 062401-02-000 (2), SCREW 000G67-10-12B (2), BRACKET 136878-01-CHT (2).
 6. VENT PIPE MUST PROJECT 51 MIN AND 64 MAX ABOVE ROOF FOR PROPER FIT AND FUNCTION. ADD S-1 (116666-01-CHT SEAL-VENT PIPE) AROUND PIPE ON ROOF BEFORE VENT CAP IS INSTALLED.
 5. SEAL AROUND SHOWER WITH SILICONE.
 4. SECURE DRAINAGE PIPES TO CABINET USING WIRE TIE 108046-02-000, AND SCREW 000G67-10-12B AT INTERVALS OF NOT MORE THAN 4 FEET APART.
 3. ALL PIPE AND FITTINGS TO BE ASSEMBLED WITH SOLVENT 004020-01-000 (USA), 004020-02-000 (CAN)
 2. SLOPE OF TRAP ARM MUST BE 6 PER 305 mm.
 1. SLOPE OF HORIZONTAL PIPING TO BE MINIMUM OF 3 PER 305 mm.

- (1JD) DRAINAGE SYSTEM-HEATED-W/O
- (23T) DRAINAGE SYSTEM-HEATED
- (464) TOILET
- (265) CODES/STANDARDS-CSA/CMVSS
- (IB1) CODES/STANDARDS USA

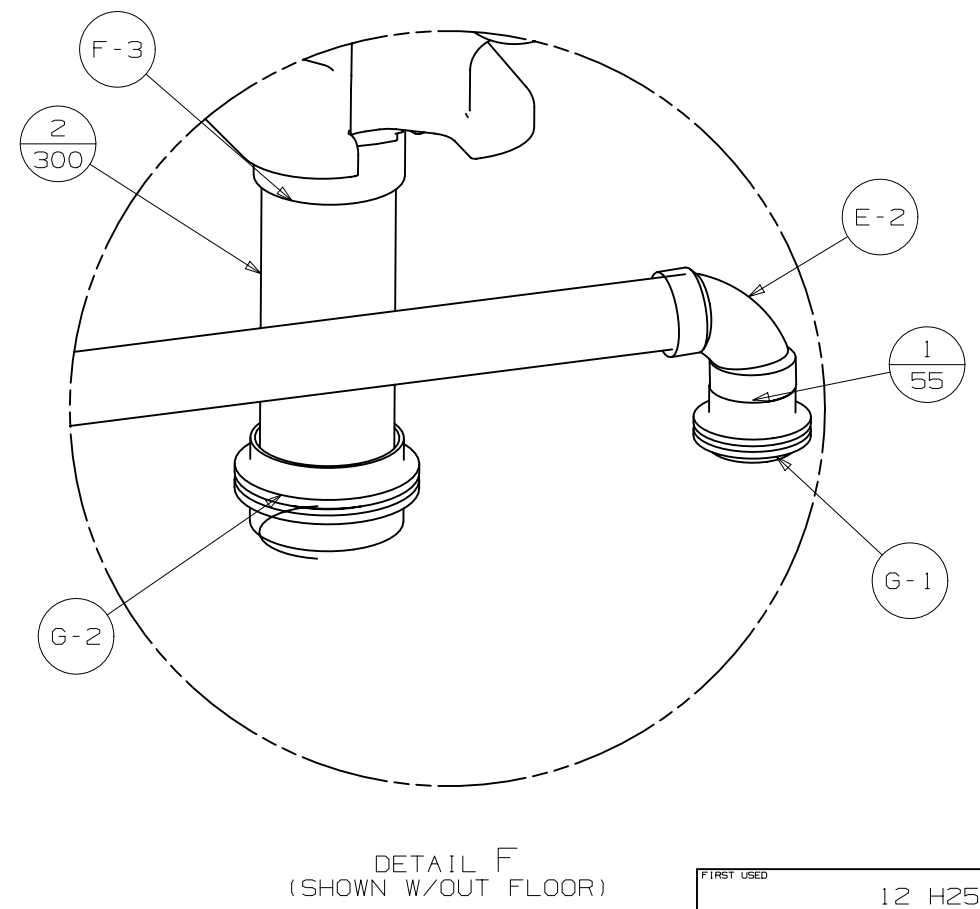
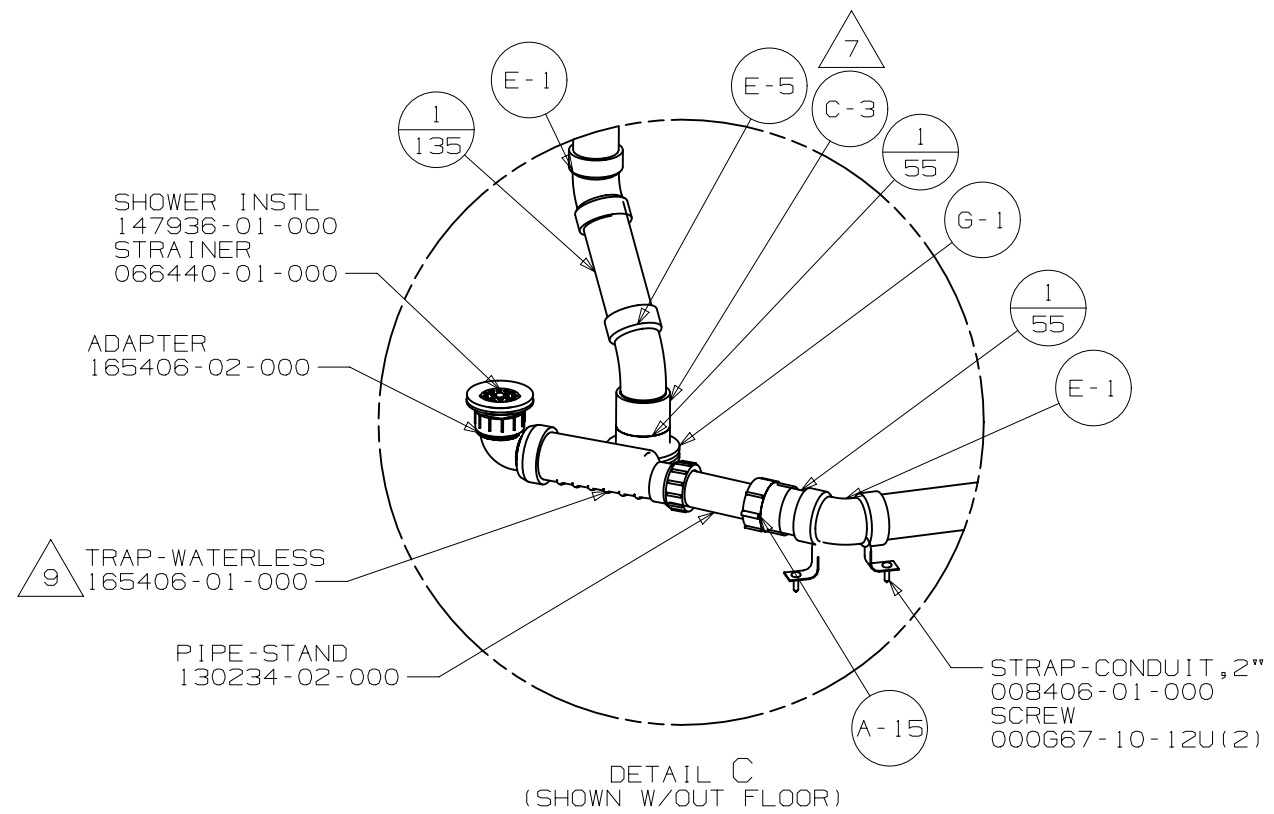
FOR DRAINAGE CALLOUTS SEE DWG NO 116229-01-000

WINNEBAGO INDUSTRIES, INC. COPYRIGHT 2014

DFTR	ORIG. DATE
CHKR	ALL DIMENSIONS ARE IN MILLIMETERS
P.E.	
M.E.	FIRST USED
DSNR	12 H25R
UNSPECIFIED TOLERANCES ARE:	
WHOLE DIM (X)	: 3
ONE-PLACE (X.X)	: 1.5
TWO-PLACE (X.XX)	: 0.50
ANGLE	: 1°
THIRD ANGLE PROJECTION	
DO NOT SCALE DRAWING	REFER TO ES0018 FOR FASTENER TIGHTENING GUIDELINES
TITLE: DRAINAGE SYSTEM INSTL	
SHEET 1 OF 4	PART NO 179459



TOILET
147421-02-CHT



FIRST USED	12 H25R	
TITLE:	DO NOT SCALE DRAWING	
	DRAINAGE SYSTEM INSTL	
SHEET 2	PART NO	179459
	REV	

SINK - LAVATORY
 151679-01-CHT
 SEAL
 091255-03-000 (940)
 STRAINER
 163569-01-000
 TAILPIECE
 011069-05-000
 NUT
 130403-01-000
 WASHER
 127440-02-CHT

(1B1) P-1
 (265) P-3
 (1B1) A-15

(1B1) 1/60
 (265) 1/145

T-1

1/435

DETAIL E

6 CP-2

E-1 1/160

1/85

E-1

1/1100

1/675

E-1

STRAP-CONDUIT, 2"
 008406-01-000
 SCREW
 000G67-10-12U(2)

VIEW B

STRAP-CONDUIT, 2"
 008406-01-000
 SCREW
 000G67-10-12U(2)

1/2765

E-6

1/465

T-1

E-6

BRACKET-DRAIN, SUPPORT
 156189-01-CHT
 LUMBER
 052372-F0-062
 SCREW
 000G67-10-12U(5)

SINK - GALLEY
 178817-01-CHTSEAL
 091255-03-000 (1320)
 STRAINER
 163569-01-000
 TAILPIECE
 011069-05-000

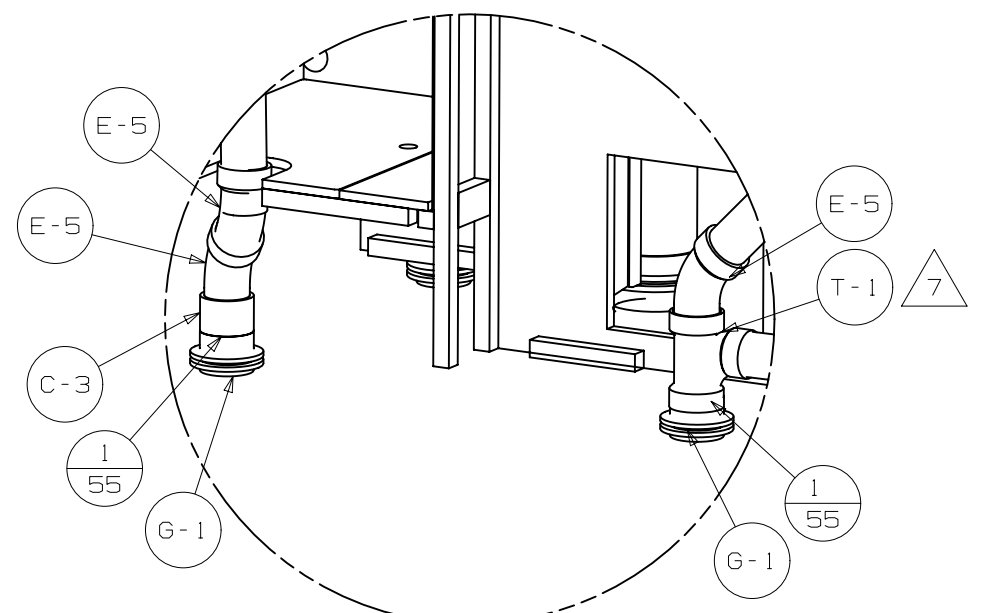
P-1 (1B1)

P-3 (265)

A-15 (1B1)

1/240 (1B1)

1/335 (265)



DETAIL E
 (SHOWN W/OUT FLOOR)

FIRST USED	12 H25R
TITLE:	DO NOT SCALE DRAWING
	DRAINAGE SYSTEM INSTL
SHEET 3	PART NO 179459 REV

STRAP-W/HOLES
166245-04-CHT
SCREW
000G39-08-12U(2)

PAD-HEATER
133972-04-000

BRACKET-TANK MOUNT
167936-03-CHT
U-LOCK
151437-12-CHT
BOLT
000C12-06-20U(2)
NUT
000D39-06-00U(2)

BRACKET-TANK MOUNT
167936-05-CHT
U-LOCK
151437-12-CHT
BOLT
000C12-06-20U(2)
NUT
000D39-06-00U(2)

BRACKET-TANK MOUNT
167936-03-CHT
U-LOCK
151437-12-CHT
BOLT
000C12-06-20U(2)
NUT
000D39-06-00U(2)

BRACKET-TANK MOUNT
167936-05-CHT
U-LOCK
151437-12-CHT
BOLT
000C12-06-20U(2)
NUT
000D39-06-00U(2)

PAD-HEATER
133972-04-000

VALVE
129147-01-000

STRAP-W/HOLES
166245-04-CHT
SCREW
000G39-08-12U(2)

BOTTOM VIEW

FOAM
168508-27-000
168508-28-000

FOAM
120050-28-000

TANK-HOLDING
173100-02-000

CABLE ASM
062421-11-000

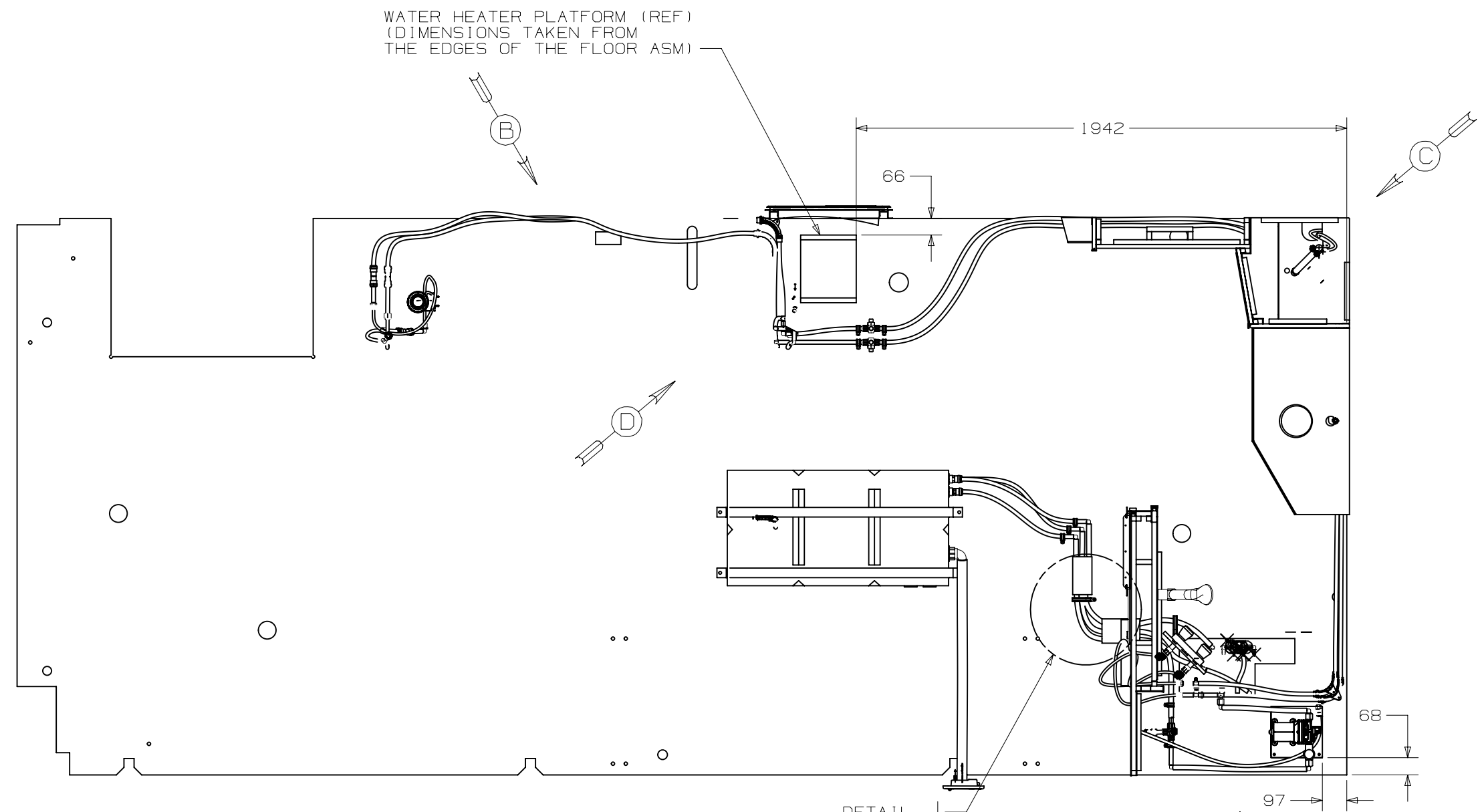
TANK-HOLDING
172748-02-000

HANDLE-EXTENSION
062419-11-000
062419-05-000
062419-06-000
BOLT
000G18-08-10B(2)
NUT
000D65-08-00B(2)

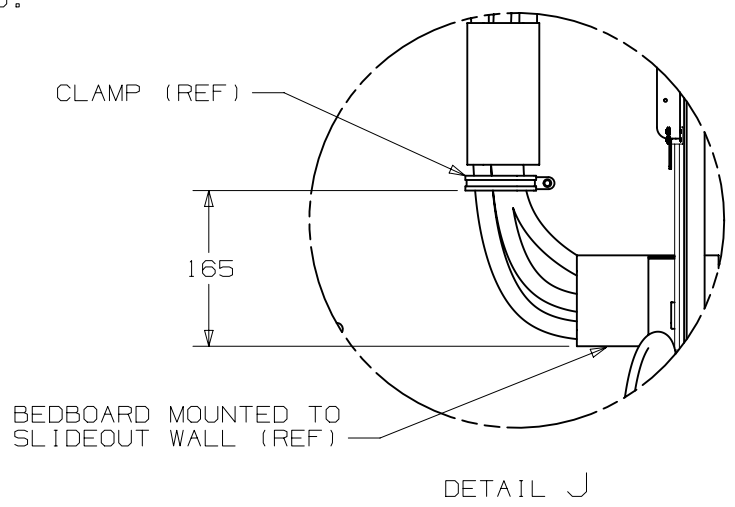
VIEW G

FIRST USED	12 H25R
TITLE	DO NOT SCALE DRAWING
TITLE	DRAINAGE SYSTEM INSTL
SHEET 4	PART NO 179459 REV

REV	ZONE	REVISION RECORD	DATE	DWG NO



- 12. INSTALL BETWEEN MOUNTING PLATE AND RETAINING NUTS.
- 11. WATER TANK MOUNTING STRAP BOLTS AND NUTS ARE CALLED OUT ON SLIDEOUT ASM DRAWING.
- 10. ENCASE FLEX WATER LINES IN CONVOLUTED TUBE (178782-00-150)
- 9. INSTALL CONNECTOR WITH TAPERED END AWAY FROM FAUCET.
- 8. ALL CRIMP FITTINGS TO 1/2" PEX TUBING REQUIRE 1/2" CLAMP 140171-03-000.
- 7. ALL CRIMP FITTINGS TO 5/8" PEX TUBING REQUIRE 5/8" CLAMP 140171-04-000.
- 6. LABEL HOT AND COLD SUPPLY TUBES AND TAPE FITTING TO TUBE BEFORE CABINET SET TO PREVENT MOVEMENT.
- 5. ADD PIPE WRAP (LADDER SCRAP 110157-02-000) INSULATION.
- 4. ADD TEFLON TAPE 010405-02-000.
- 3. ALL TUBING TO BE SECURED AT 1200 INTERVALS MAXIMUM WITH CLAMP 010495-01-000 AND SCREW 000G67-10-12U OR EQUIVALENT.
- 2. TUBING TO BE INSTALLED WITH SUFFICIENT SLOPE TO PROVIDE DRAINAGE TO NEAREST VALVE.
- 1. PLASTIC FITTINGS TO BE SEALED WITH SEALANT 084456-01-000.



- 64R EXTERIOR WASH STATION
- 53E WATER SYS WINTERIZATION PKG
- 53B WTR HTR-6GAL ELECTRIC/LP GAS
- 29B WATER PURIFIER

WINNEBAGO INDUSTRIES, INC. COPYRIGHT 2014	
DFTR	ORIG. DATE
CHKR	ALL DIMENSIONS ARE IN MILLIMETERS
P.E.	FIRST USED
M.E.	13 H25R
DSNR	
UNSPECIFIED TOLERANCES ARE:	MATERIAL:
WHOLE DIM (X) : 3	
ONE-PLACE (X.X) : 1.5	
TWO-PLACE (X.XX) : 0.50	
ANGLE : 1°	
THIRD ANGLE PROJECTION	
DO NOT SCALE DRAWING	REFER TO ES0018 FOR FASTENER TIGHTENING GUIDELINES
TITLE: WATER SYSTEM INSTL	
SHEET 1 OF 4	PART NO 182384

FOR WATER CALLOUTS SEE DWG NO 116230-01-000

NOTES:

TANK - WATER
045195-12-000
STRAP
118994-09-CHT (2)

CLAMP
010497-01-000 (2)
SCREW
000G39-08-12U (2)

CLAMP
010497-01-000 (3)
SCREW
000G39-08-12U (3)

SHOWER HEAD-W/HOSE & BRKT
176668-01-CHT

PANEL-SHOWER FAUCET
167738-02-CHT

SCREW
000G39-08-16U (4)

PANEL
149477-08-CHT
FOAM-PAD
140364-01-CHT
SCREW
000G39-08-24U (4)

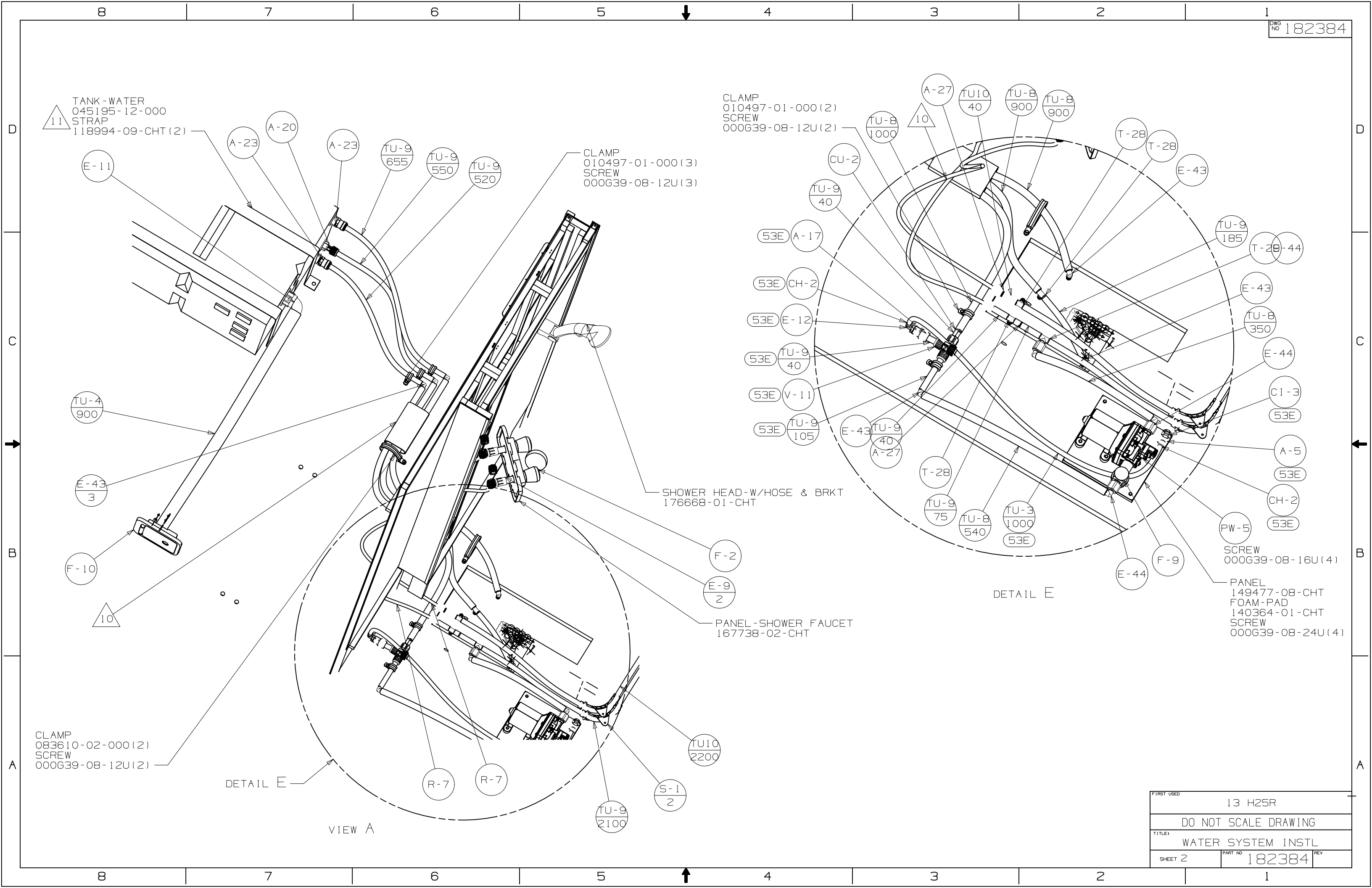
CLAMP
083610-02-000 (2)
SCREW
000G39-08-12U (2)

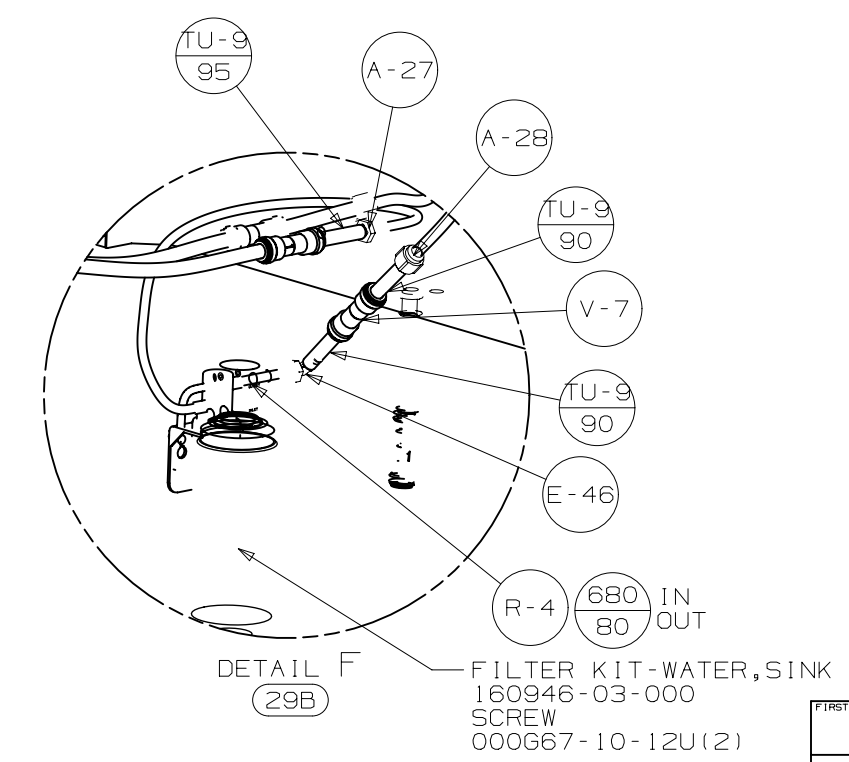
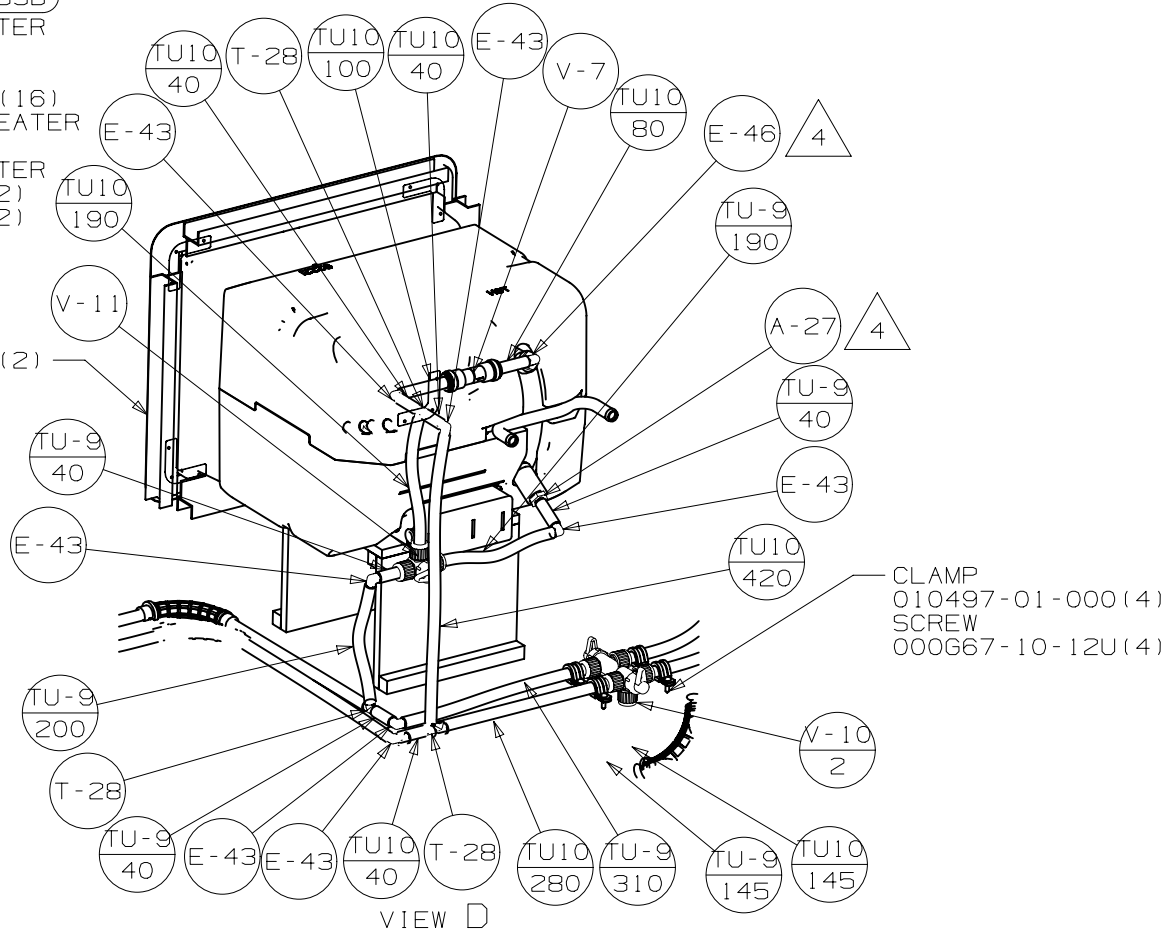
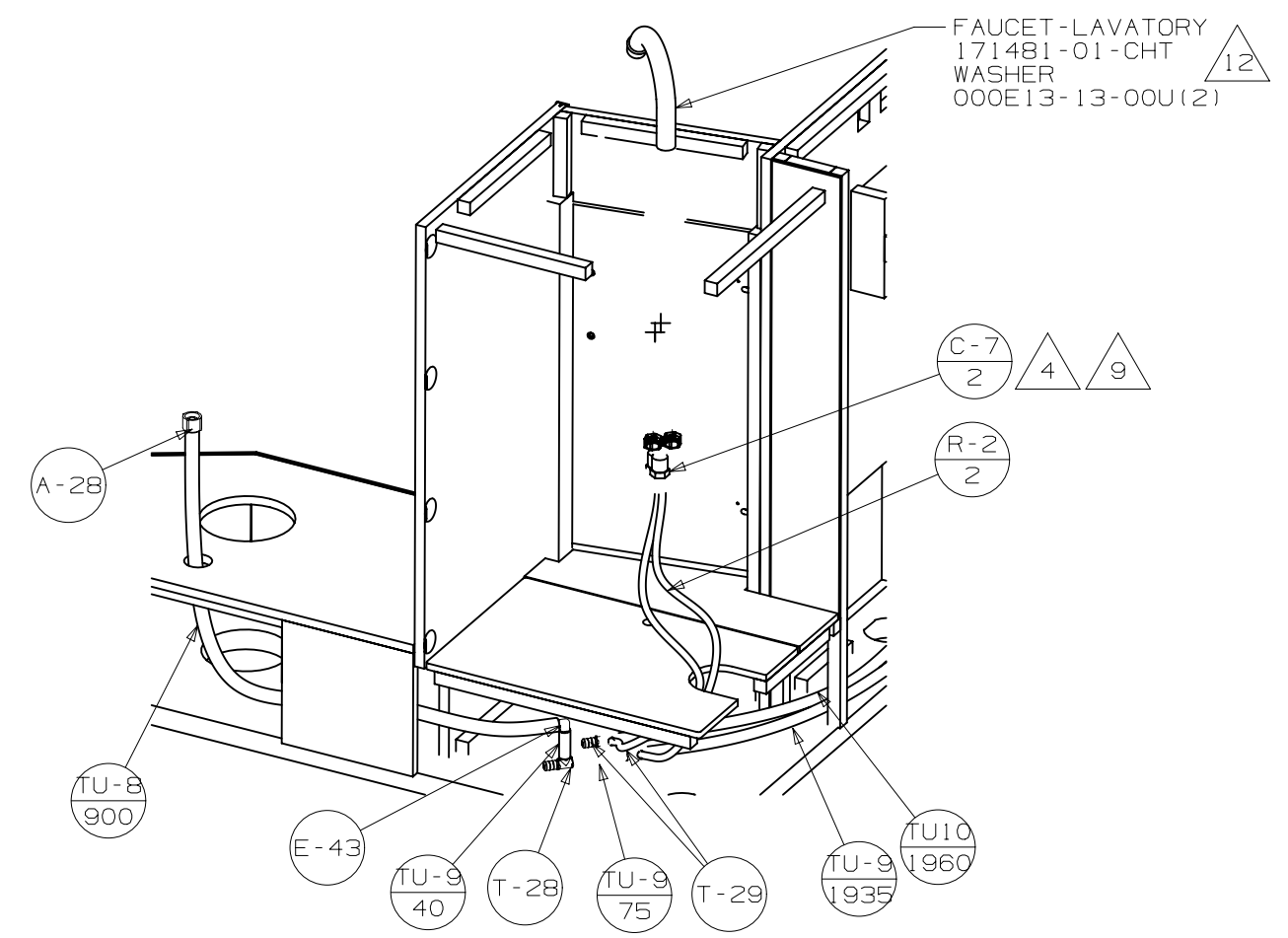
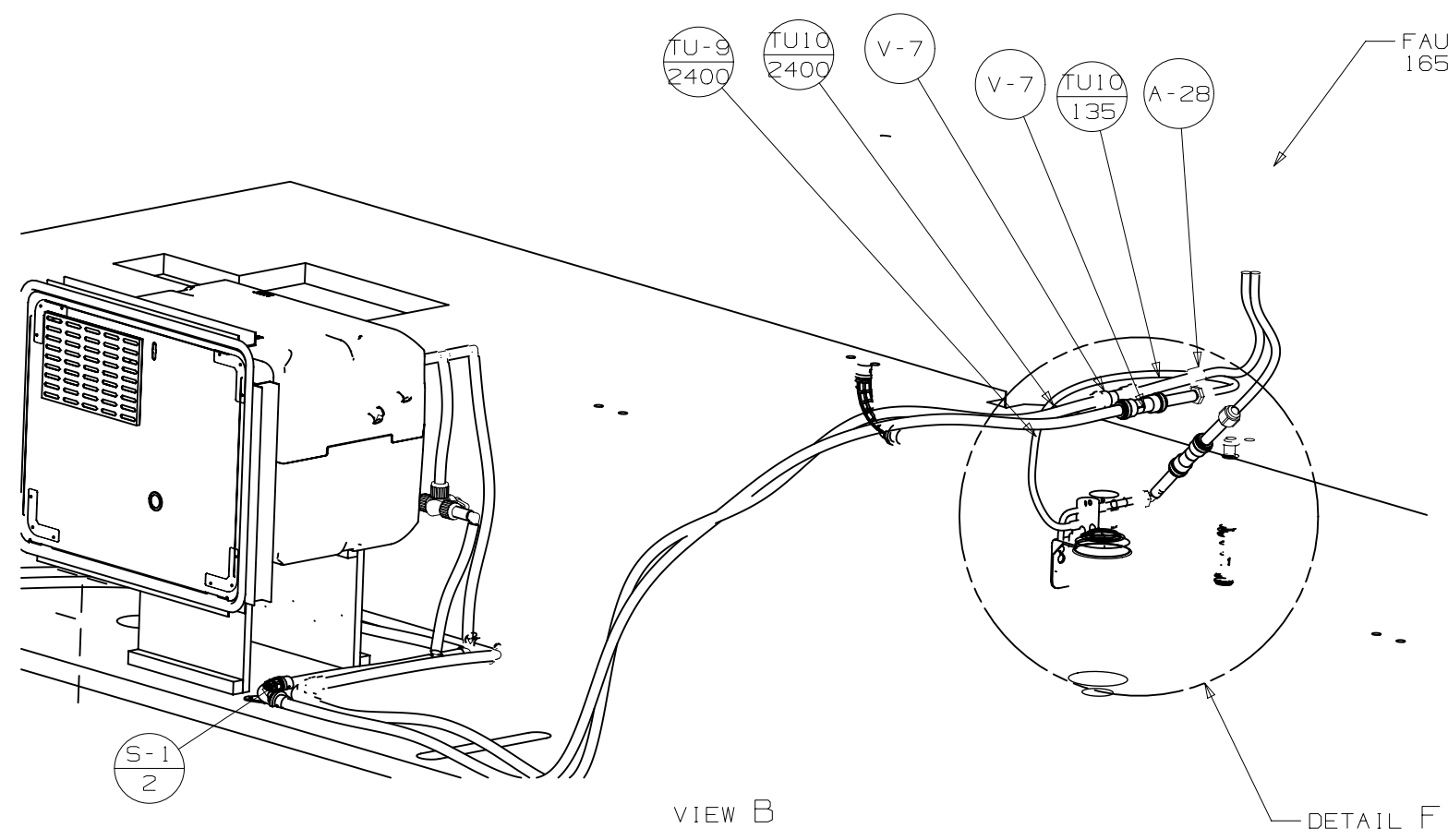
DETAIL E

DETAIL E

VIEW A

FIRST USED	13 H25R	
TITLE:	DO NOT SCALE DRAWING	
SHEET 2	PART NO	182384
	REV	





- WATER HEATER 145541-02-000 (53B)
- DOOR-WATER HEATER 125420-06-CHT
- SCREW 000G39-10-16U (16)
- FLANGE-WATER HEATER 152239-01-CHT
- EXTR-WATER HEATER 165959-51-002(2)
- 165959-51-004(2)
- PLATFORM 144200-06-000
- CABLE ASM 076764-03-000
- SCREW 000G11-06-08U (2)

FIRST USED	13 H25R	
TITLE:	DO NOT SCALE DRAWING	
	WATER SYSTEM INSTL	
SHEET 3	PART NO 182384	REV

PANEL - ELECTRICAL
151707-05-CHT

CLAMP - CLOSED
010497-03-000
RIVET
113133-01-CHT

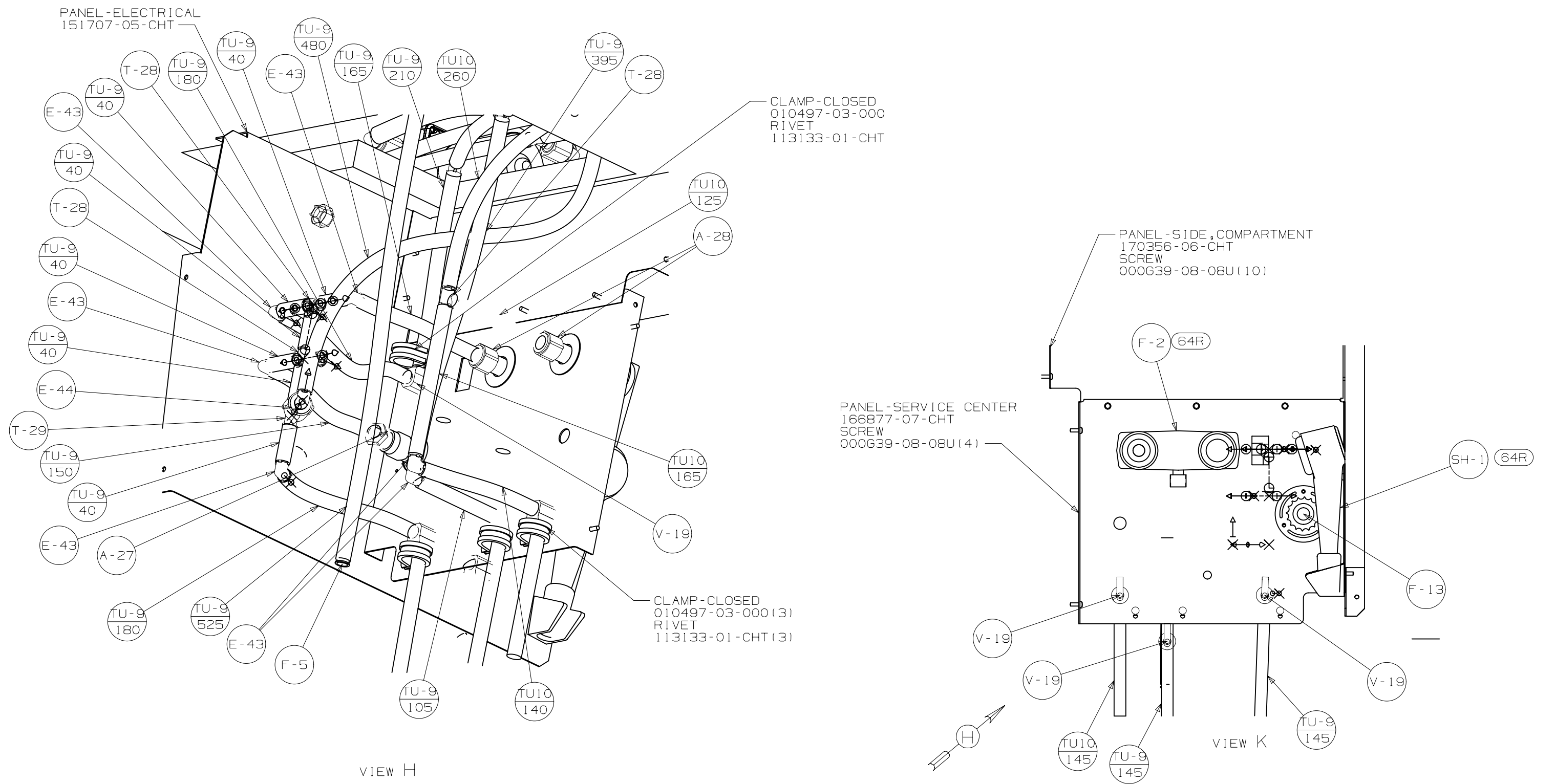
PANEL - SIDE , COMPARTMENT
170356-06-CHT
SCREW
000G39-08-08U (10)

PANEL - SERVICE CENTER
166877-07-CHT
SCREW
000G39-08-08U (4)

CLAMP - CLOSED
010497-03-000 (3)
RIVET
113133-01-CHT (3)

VIEW H

VIEW K



FIRST USED	13 H25R		
TITLE:	DO NOT SCALE DRAWING		
	WATER SYSTEM INSTL		
SHEET 4	PART NO	182384	REV