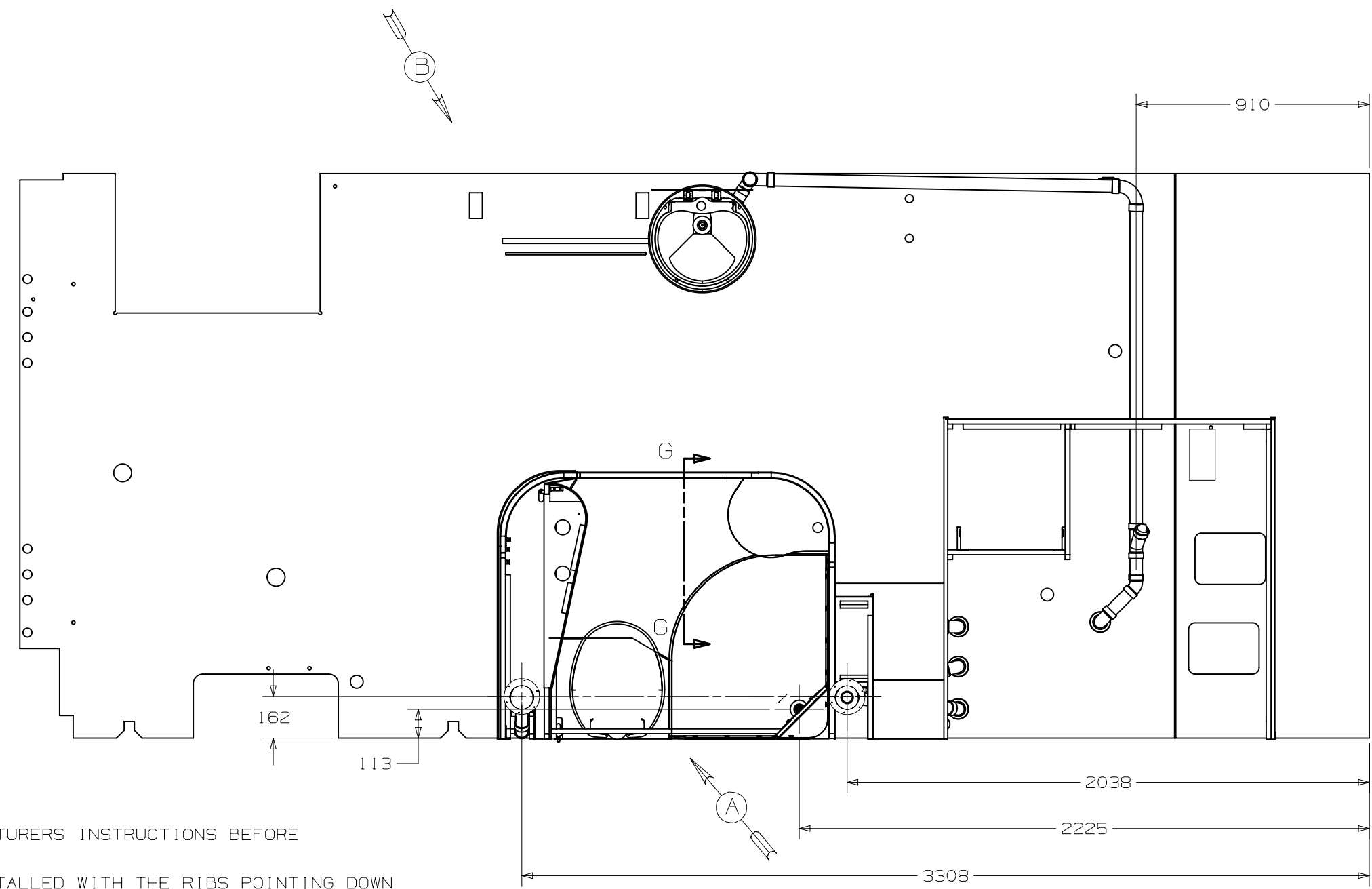


REV/DATE		DWG NO	
REV	ZONE	REVISION RECORD	DATE



- 10 PREP THE SURFACE PER MANUFACTURERS INSTRUCTIONS BEFORE APPLYING THE HEATING PAD.
- 9 WATERLESS P-TRAP MUST BE INSTALLED WITH THE RIBS POINTING DOWN
- 8 U-LOCKS TO BE INSTALLED BEFORE THE FRAME ASM IS BOLTED DOWN TO THE CHASSIS AND BEFORE THE SEAL PLANES ARE INSTALLED.
- 7 SECURE VENT PIPE TO FLOOR WITH CLAMP 062401-02-000 (2), SCREW 000667-10-12B (2), BRACKET 136878-01-CHT (2).
- 6 VENT PIPE MUST PROJECT 51 MIN AND 64 MAX ABOVE ROOF FOR PROPER FIT AND FUNCTION. ADD S-1 (116666-01-CHT SEAL-VENT PIPE) AROUND PIPE ON ROOF BEFORE VENT CAP IS INSTALLED.

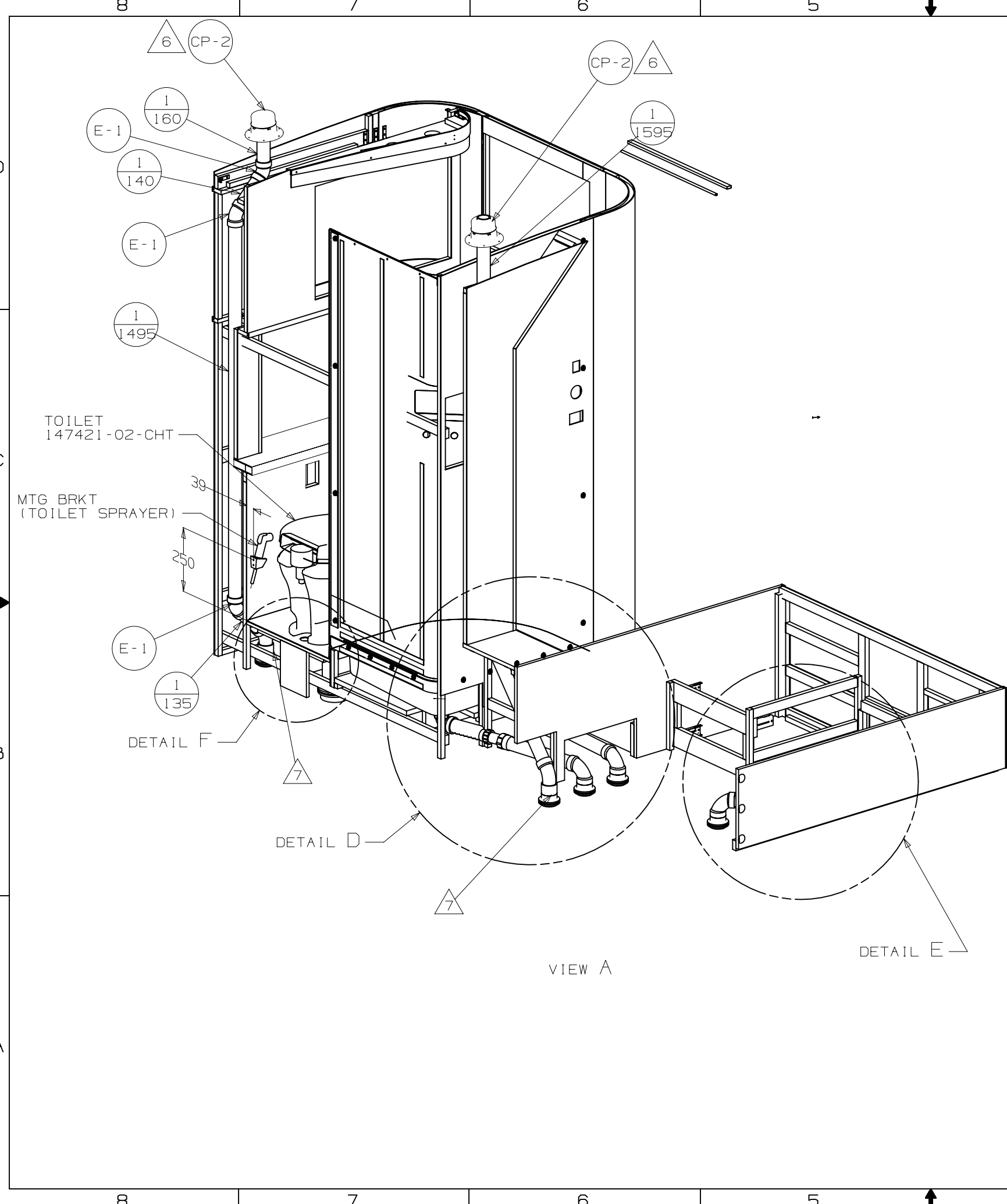
- 5. SEAL AROUND SHOWER WITH SILICONE.
- 4. SECURE DRAINAGE PIPES TO CABINET USING WIRE TIE 108046-02-000, AND SCREW 000667-10-12B AT INTERVALS OF NOT MORE THAN 4 FEET APART.
- 3. ALL PIPE AND FITTINGS TO BE ASSEMBLED WITH SOLVENT 004020-01-000 (USA), 004020-02-000 (CAN)
- 2. SLOPE OF TRAP ARM MUST BE 6 PER 305 mm.
- 1. SLOPE OF HORIZONTAL PIPING TO BE MINIMUM OF 3 PER 305 mm.

NOTES:

- (1JD) DRAINAGE SYSTEM-HEATED-W/O
- (23T) DRAINAGE SYSTEM-HEATED
- (464) TOILET
- (265) CODES/STANDARDS-CSA/CMVSS
- (1B1) CODES/STANDARDS USA

<b>WINNEBAGO</b> INDUSTRIES, INC. COPYRIGHT 2014	
DFTR	ORIG. DATE
CHKR	ALL DIMENSIONS ARE IN MILLIMETERS
P.E.	
M.E.	FIRST USED
DSNR	12 H250
UNSPECIFIED TOLERANCES ARE:	
WHOLE DIM (X)	: 3
ONE-PLACE (X.X)	: 1.5
TWO-PLACE (X.XX)	: 0.50
ANGLE	: 1°
THIRD ANGLE PROJECTION	
DO NOT SCALE DRAWING	REFER TO ES0018 FOR FASTENER TIGHTENING GUIDELINES
TITLE: DRAINAGE SYSTEM INSTL	
SHEET 1 OF 4	PART NO 178552
REF: 1	

FOR DRAINAGE CALLOUTS SEE DWG NO 116229-01-000

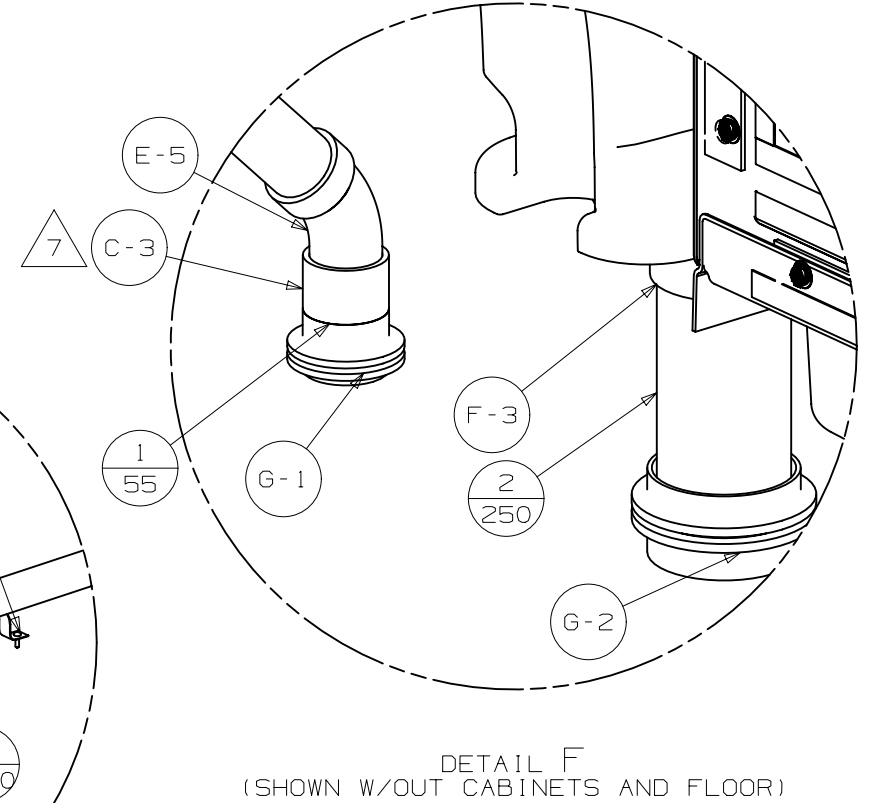
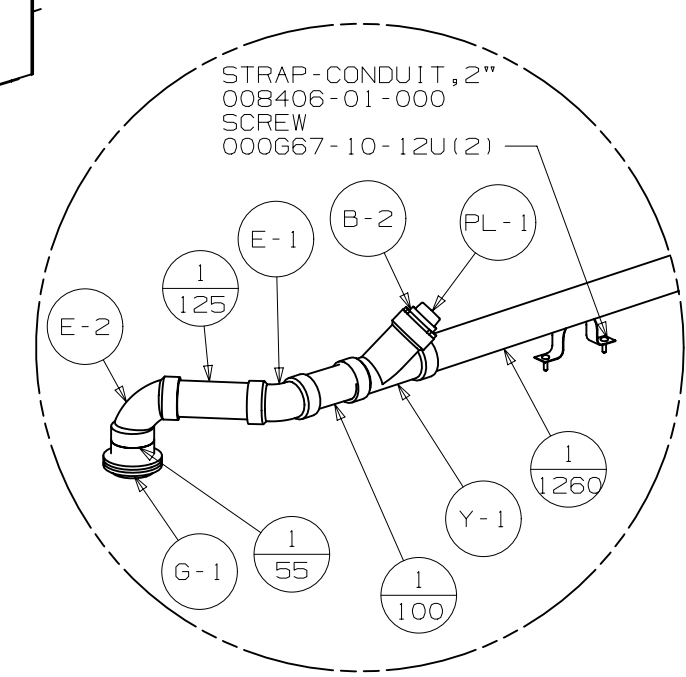
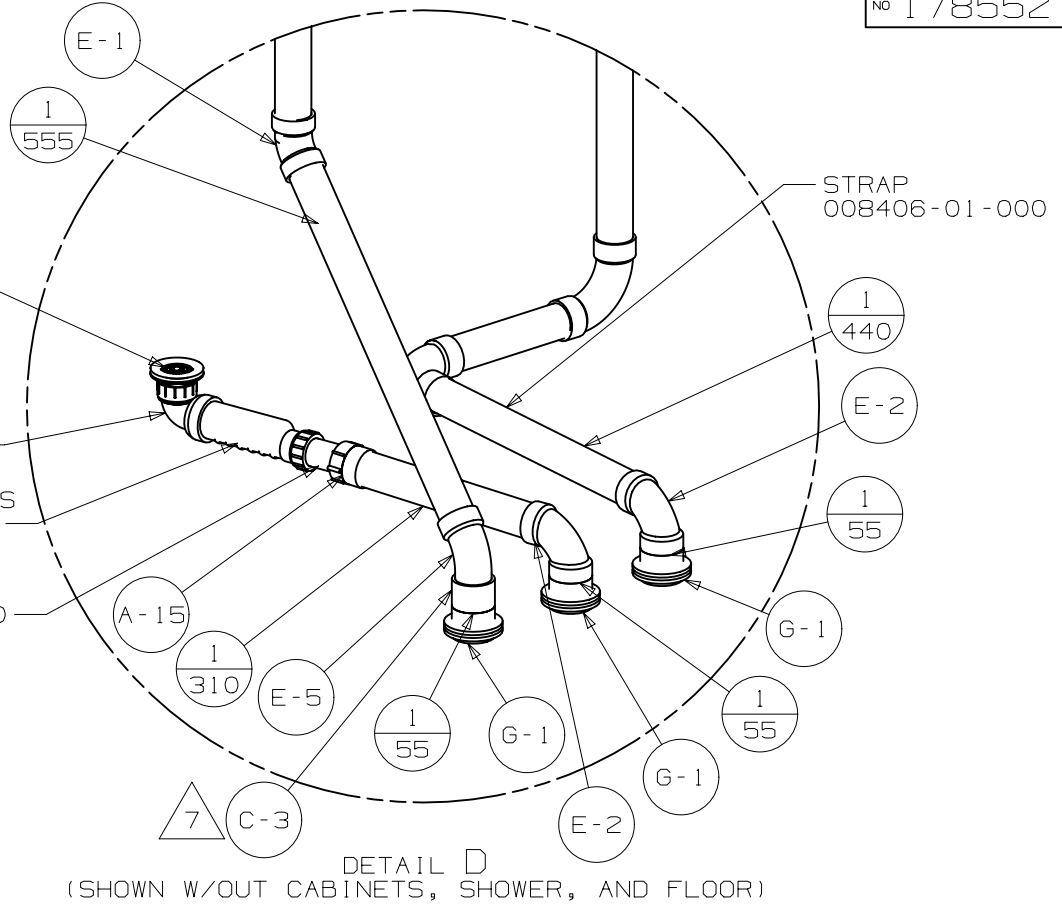


SHOWER INSTL  
174125-01-000  
STRAINER  
066440-01-000

ADAPTER  
165406-02-000

TRAP-WATERLESS  
165406-01-000

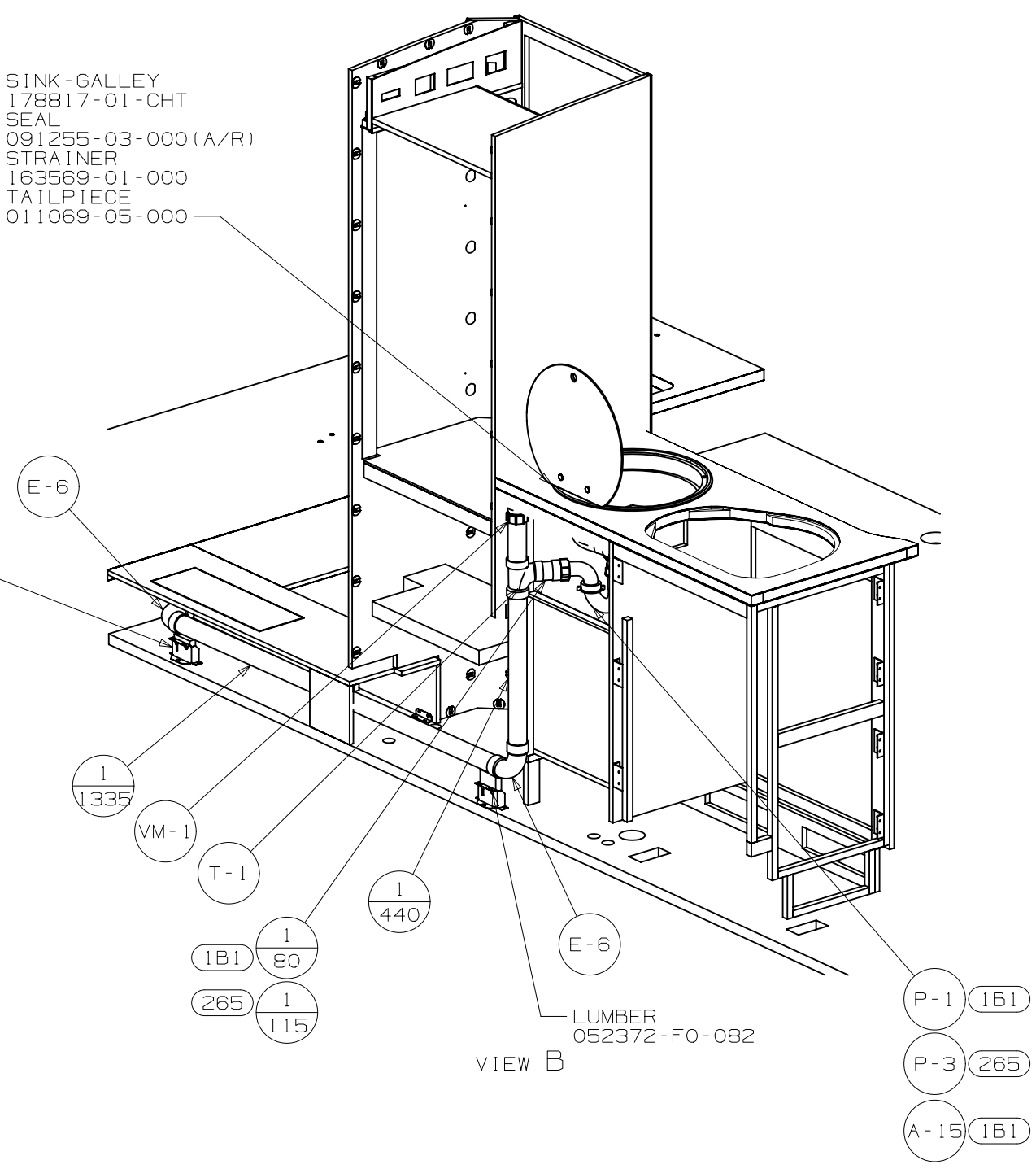
PIPE-STAND  
130234-02-000



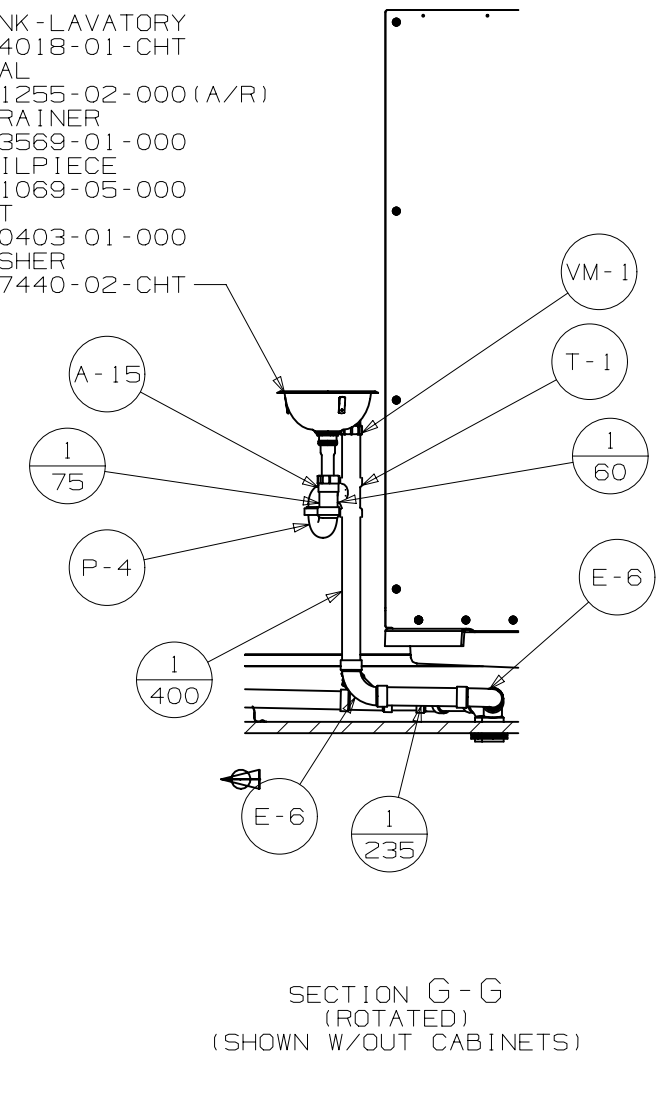
FIRST USED	12 H250	
TITLE	DO NOT SCALE DRAWING	
	DRAINAGE SYSTEM INSTL	
SHEET 2	PART NO 178552	REV

SINK - GALLEY  
 178817-01-CHT  
 SEAL  
 091255-03-000 (A/R)  
 STRAINER  
 163569-01-000  
 TAILPIECE  
 011069-05-000

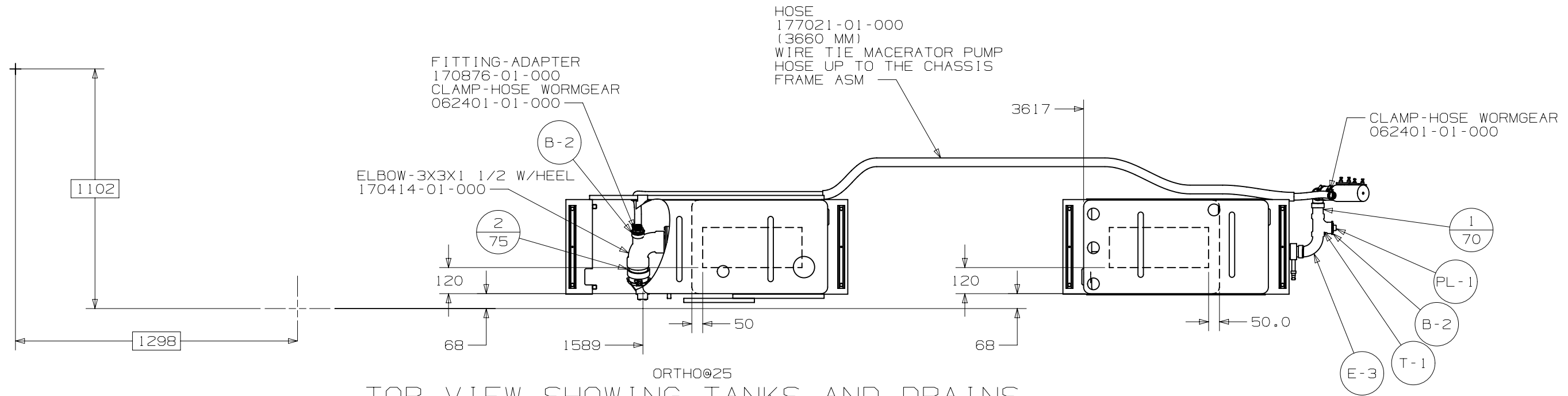
BRACKET - DRAIN, SUPPORT  
 156189-01-CHT (2)  
 LUMBER  
 052372-F0-062  
 SCREW  
 000667-10-12U (10)



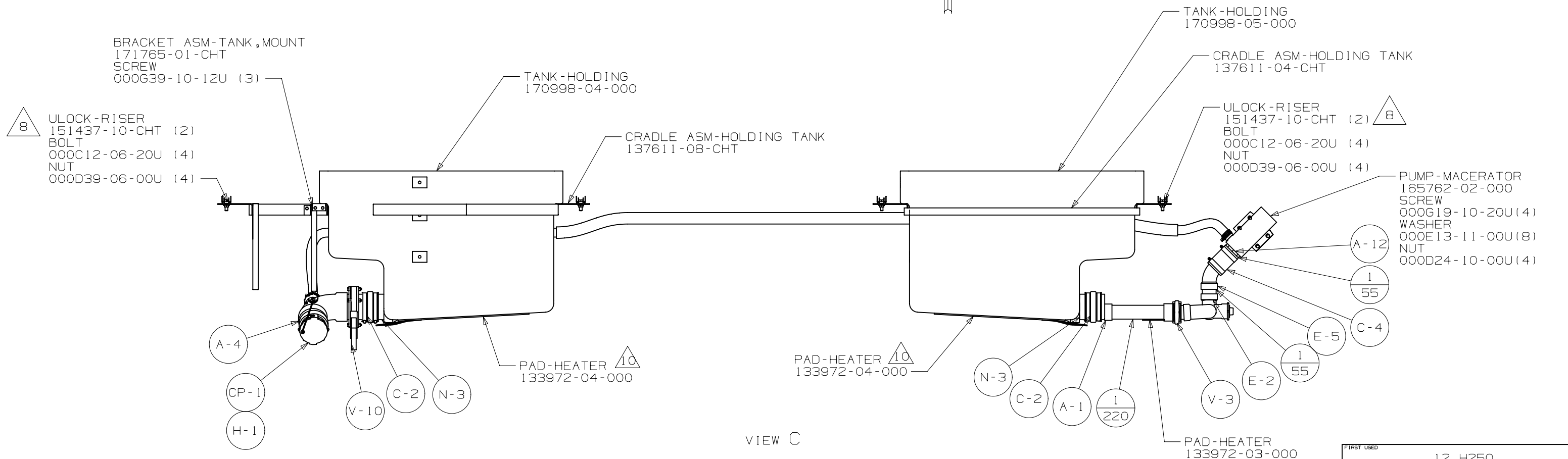
SINK - LAVATORY  
 174018-01-CHT  
 SEAL  
 091255-02-000 (A/R)  
 STRAINER  
 163569-01-000  
 TAILPIECE  
 011069-05-000  
 NUT  
 130403-01-000  
 WASHER  
 127440-02-CHT



FIRST USED	12 H25Q		
TITLE:	DO NOT SCALE DRAWING		
	DRAINAGE SYSTEM INSTL		
SHEET 3	PART NO	178552	REV



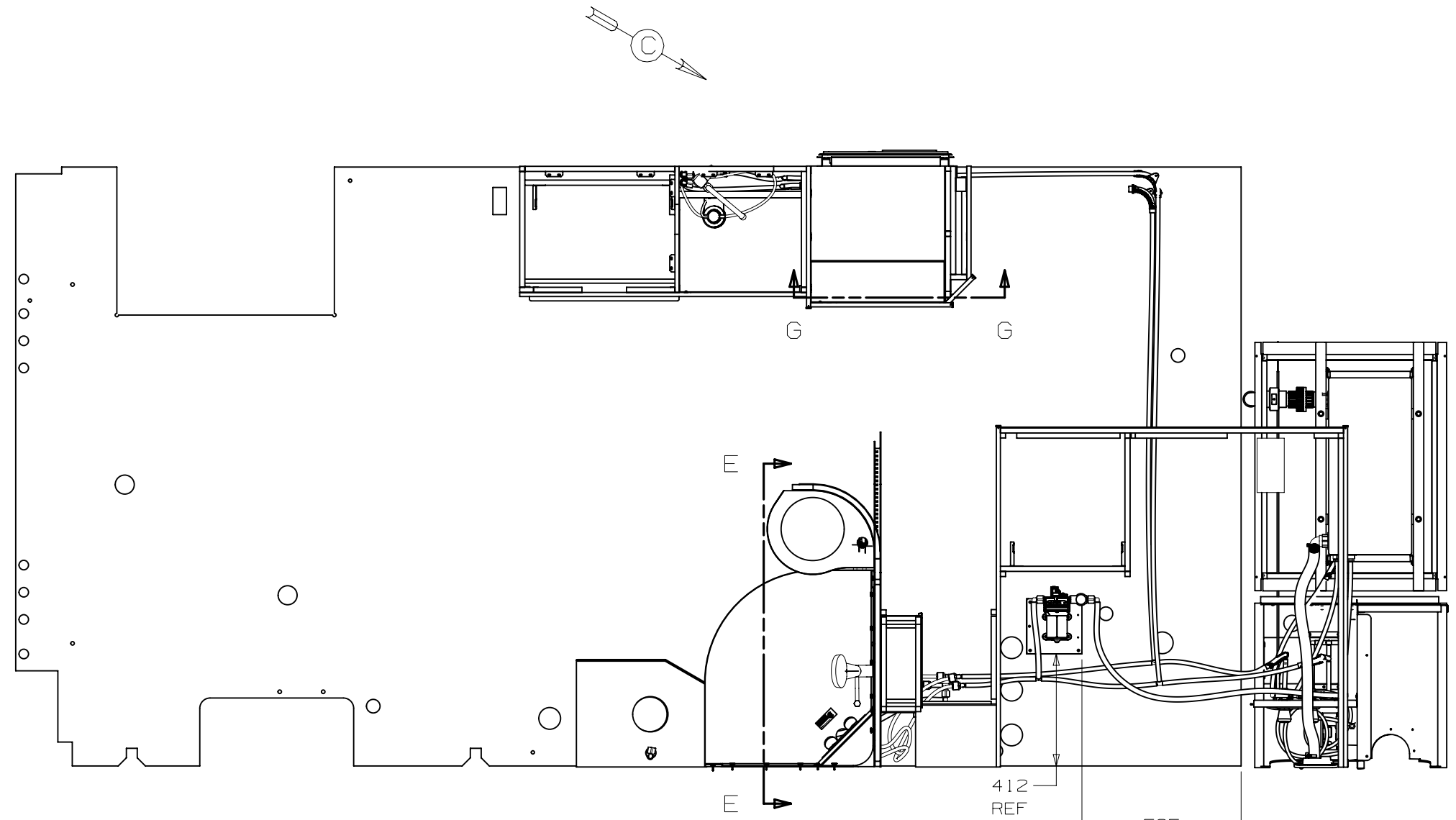
TOP VIEW SHOWING TANKS AND DRAINS



VIEW C

FIRST USED	12 H25Q	
TITLE:	DO NOT SCALE DRAWING	
	DRAINAGE SYSTEM INSTL	
SHEET 4	PART NO 178552	REV

REV	ZONE	REVISION RECORD	DATE	DWG NO
				116230-01-000



- 9. LAVATORY FAUCET SPOUT TO BE TURNED 180 DEGREES SO THE ON/OFF HANDLE IS FACING TOWARD THE SHOWER.
- 8. ALL CRIMP FITTINGS TO 1/2" PEX TUBING REQUIRE 1/2" CLAMP 140171-03-000.
- 7. ALL CRIMP FITTINGS TO 5/8" PEX TUBING REQUIRE 5/8" CLAMP 140171-04-000.
- 6. LABEL HOT AND COLD SUPPLY TUBES AND TAPE FITTING TO TUBE BEFORE CABINET SET TO PREVENT MOVEMENT.
- 5. ADD PIPE WRAP (LADDER SCRAP 110157-02-000) INSULATION.
- 4. ADD TEFLON TAPE 010405-02-000.
- 3. ALL TUBING TO BE SECURED AT 1200 INTERVALS MAXIMUM WITH CLAMP 010495-01-000 AND SCREW 000667-10-12U OR EQUIVALENT.
- 2. TUBING TO BE INSTALLED WITH SUFFICIENT SLOPE TO PROVIDE DRAINAGE TO NEAREST VALVE.
- 1. PLASTIC FITTINGS TO BE SEALED WITH SEALANT 084456-01-000.

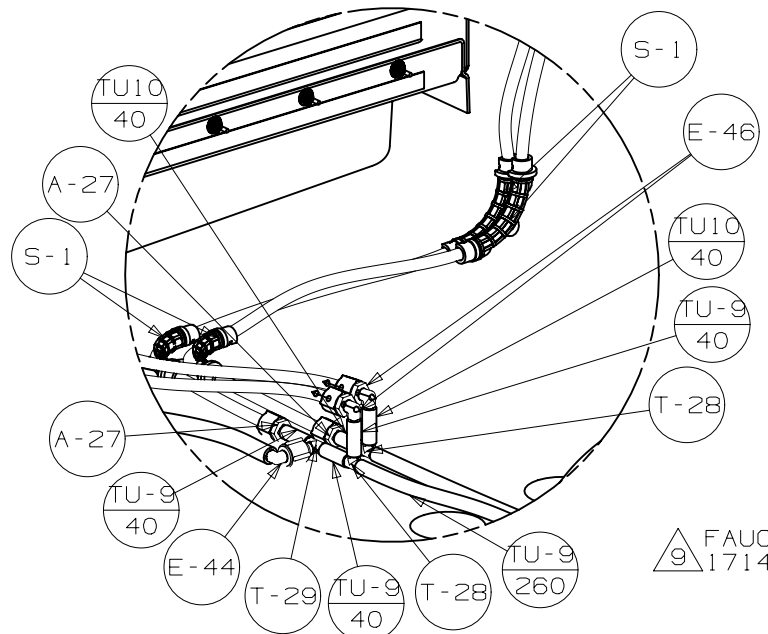
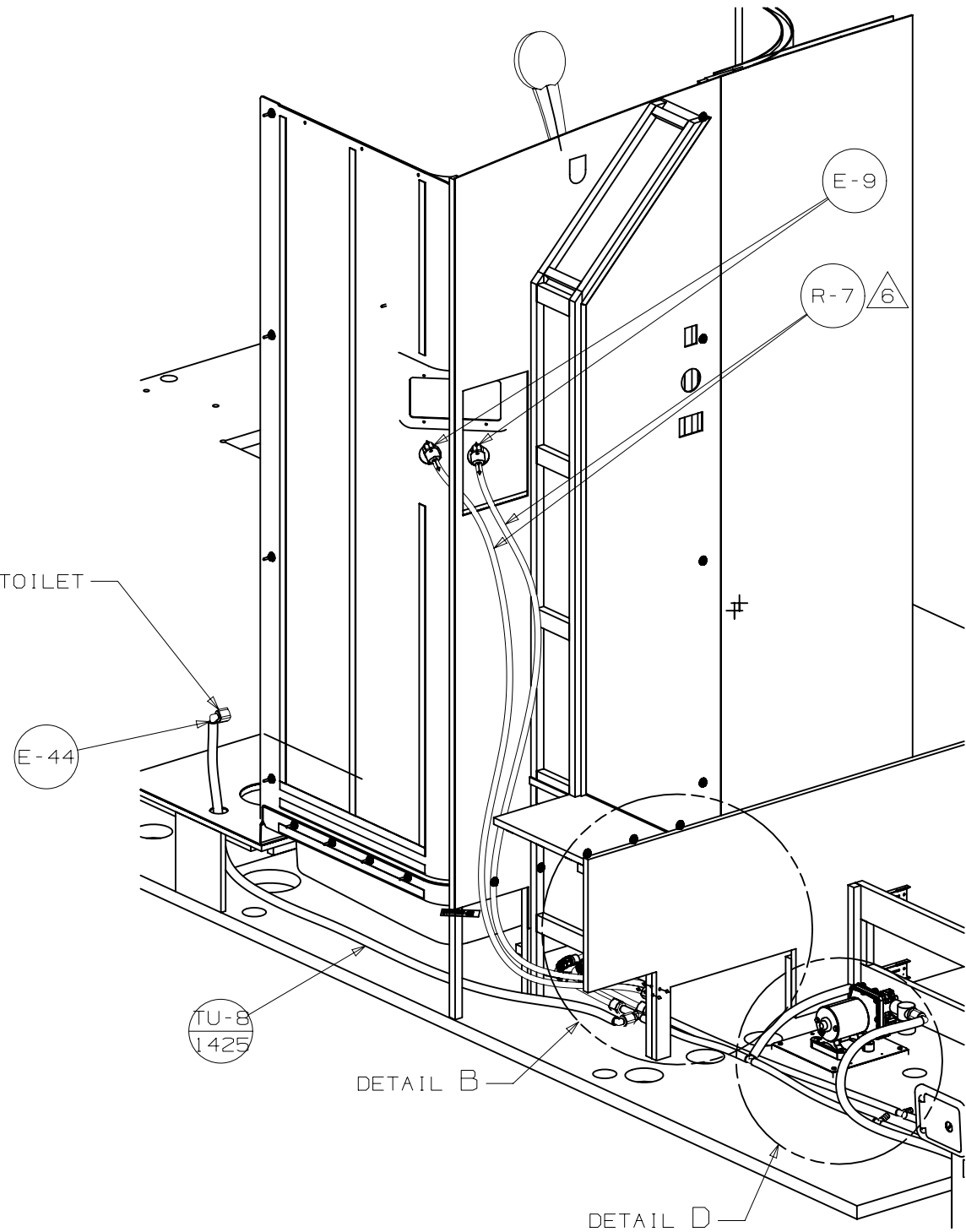
- 53E WATER SYS WINTERIZATION PKG
- 29B WATER PURIFIER
- 64R EXTERIOR WASH STATION

<b>WINNEBAGO</b> INDUSTRIES, INC. COPYRIGHT 2014	
DFTR	ORIG. DATE
CHKR	ALL DIMENSIONS ARE IN MILLIMETERS
P.E.	
M.E.	FIRST USED
DSNR	13 H250
UNSPECIFIED TOLERANCES ARE:	
WHOLE DIM (X)	: 3
ONE-PLACE (X.X)	: 1.5
TWO-PLACE (X.XX)	: 0.50
ANGLE	: 1°
THIRD ANGLE PROJECTION	
DO NOT SCALE DRAWING	REFER TO ES0018 FOR FASTENER TIGHTENING GUIDELINES
TITLE: WATER SYSTEM INSTL	
SHEET 1 OF 5	PART NO 182160

FOR WATER CALLOUTS SEE DWG NO 116230-01-000

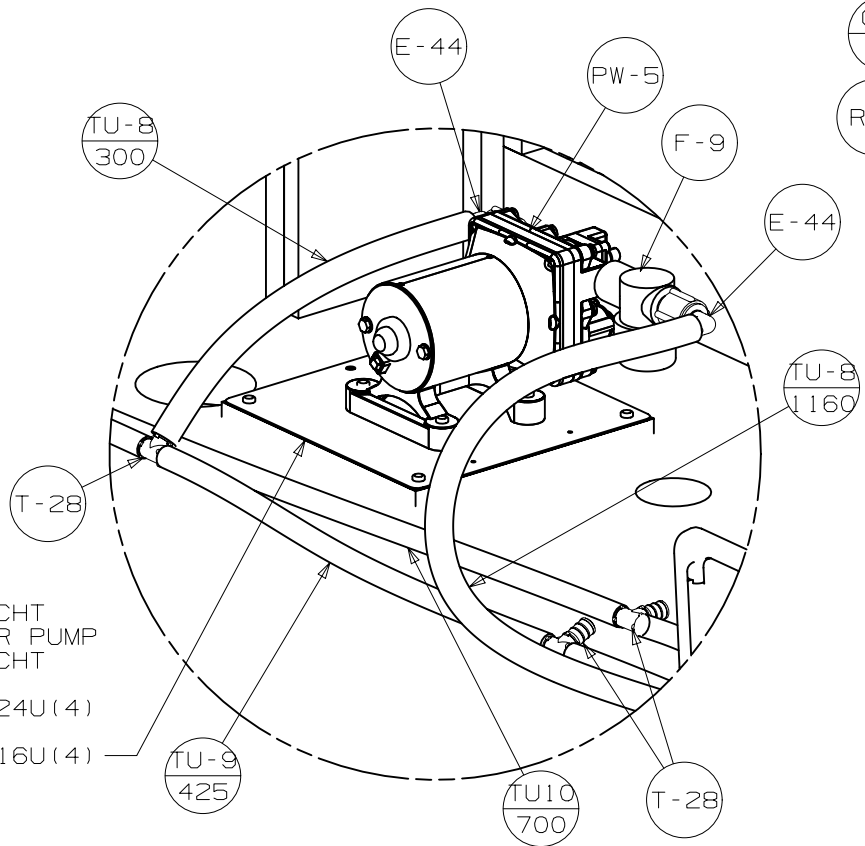
NOTES:

SHOWER HEAD-W/HOSE & BRKT  
187372-01-CHT



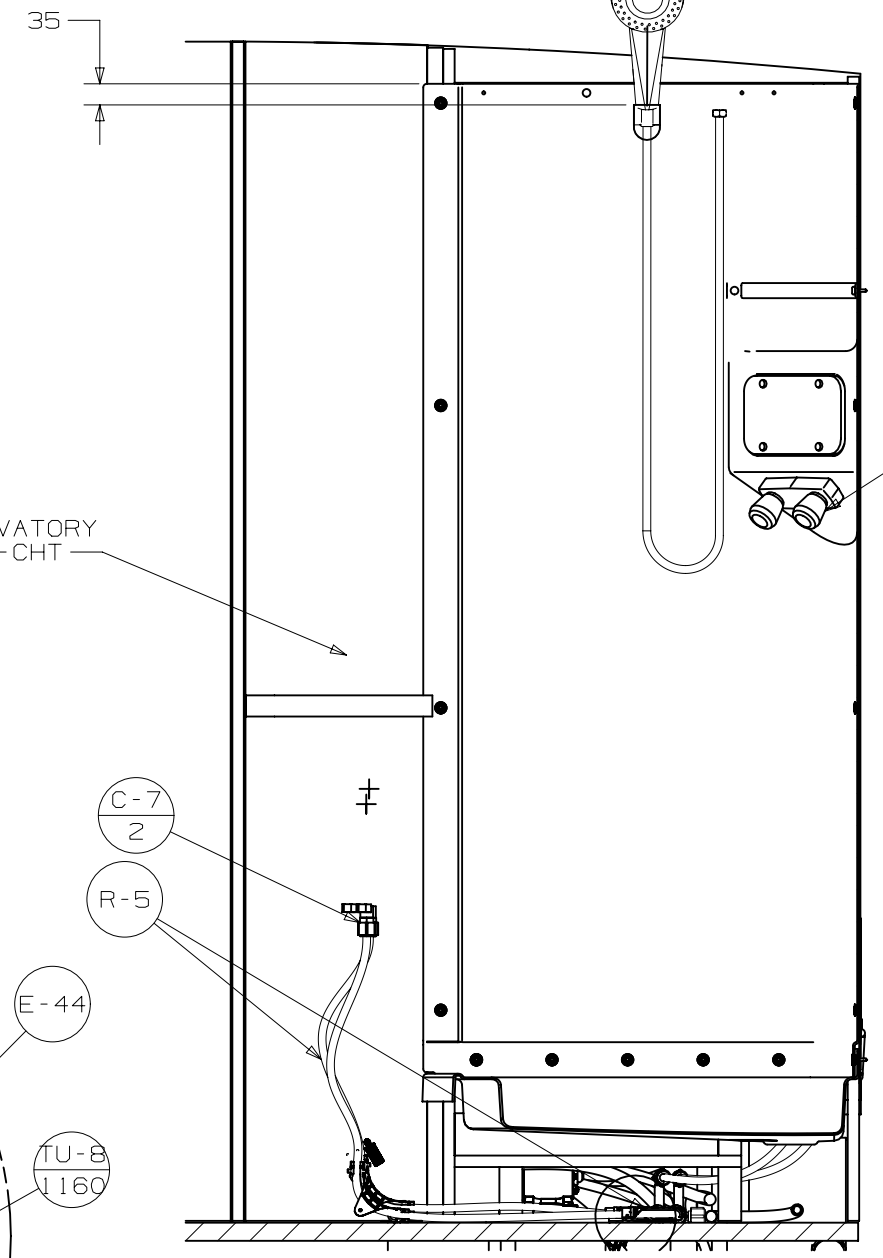
FAUCET-LAVATORY  
171481-01-CHT

DETAIL B  
(SHOWN W/OUT CABINETS)



- FOAM-PAD  
140364-01-CHT
- PANEL-WATER PUMP  
149477-08-CHT
- SCREW  
000G39-08-24U(4)
- SCREW  
000G39-08-16U(4)

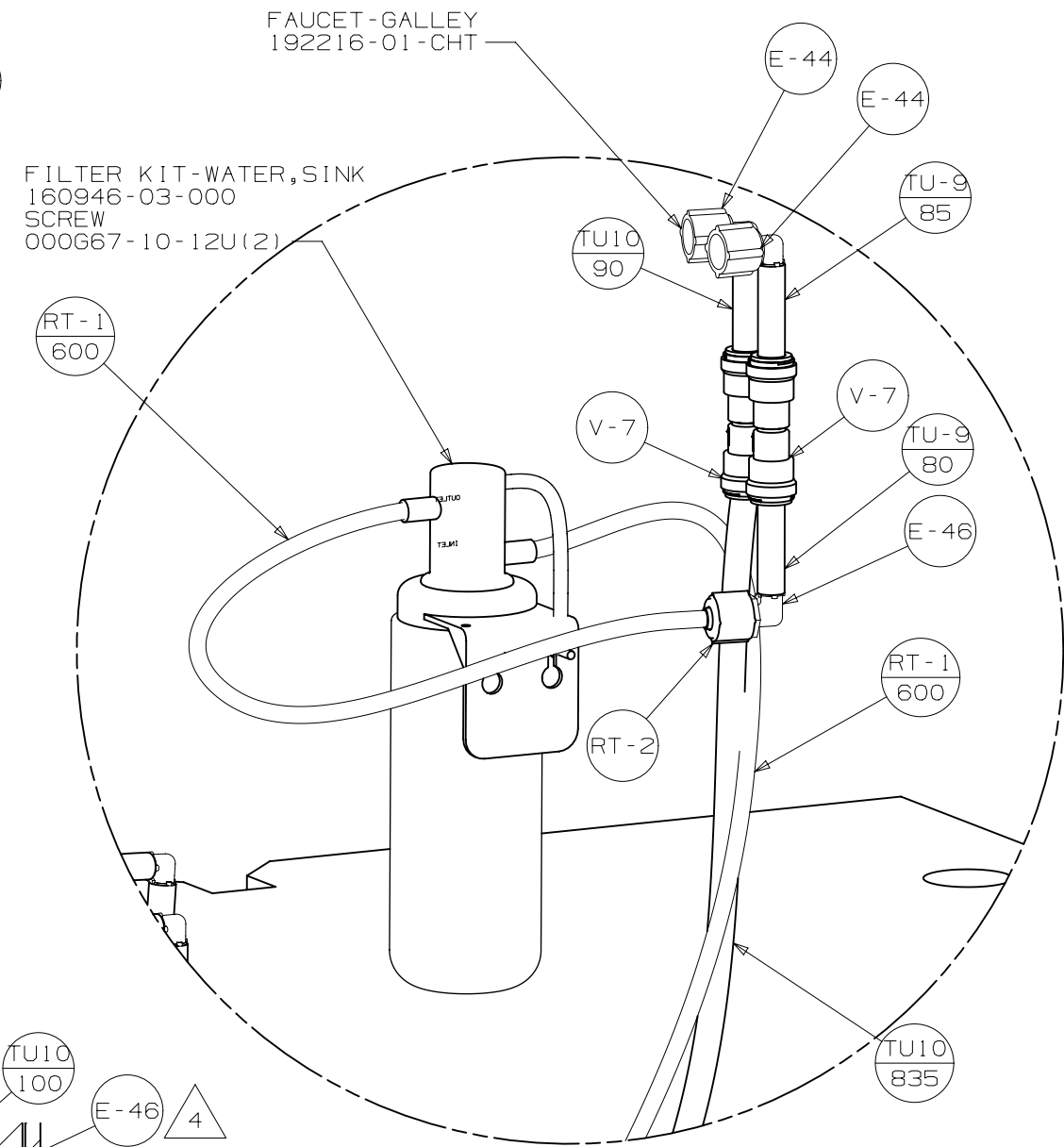
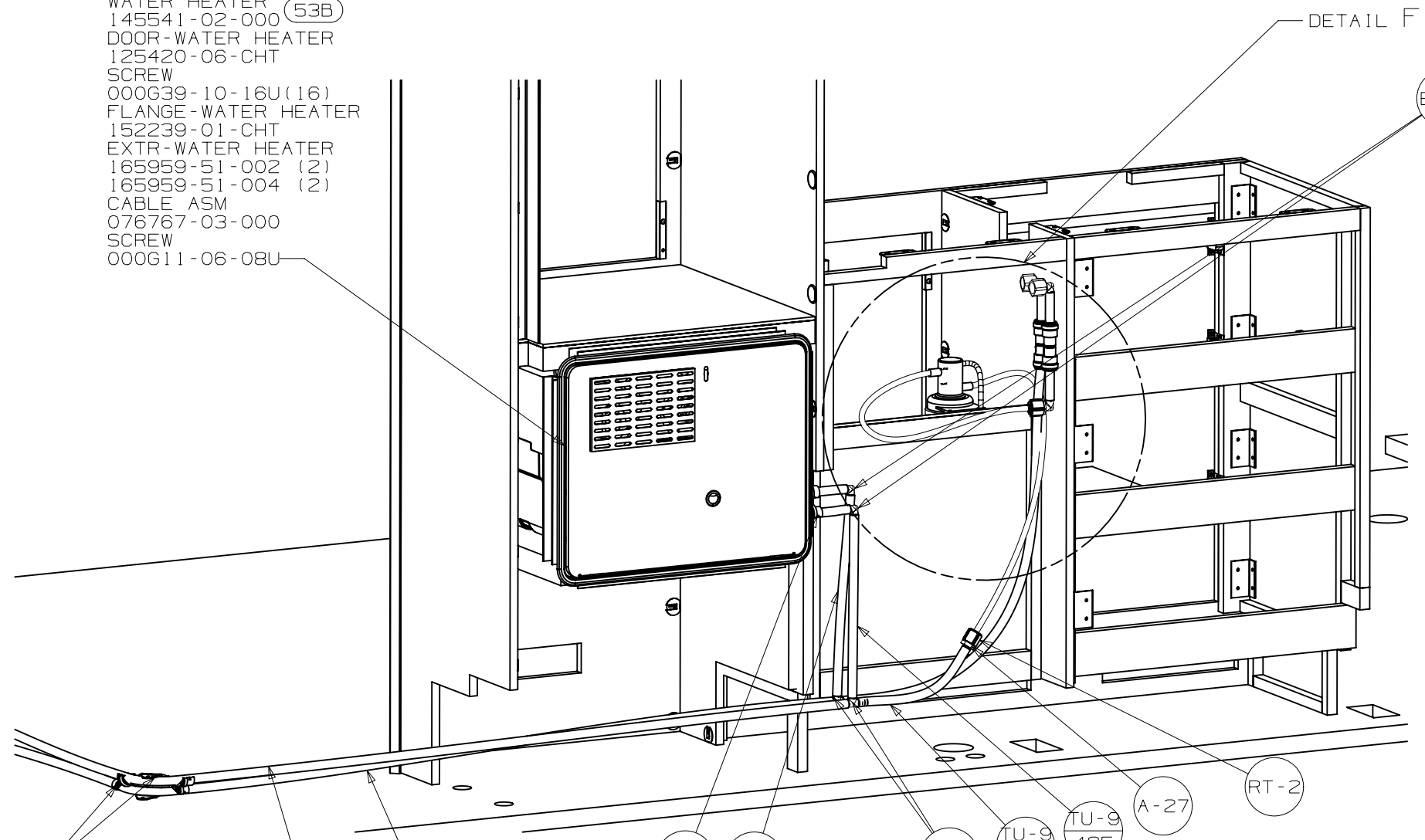
DETAIL D



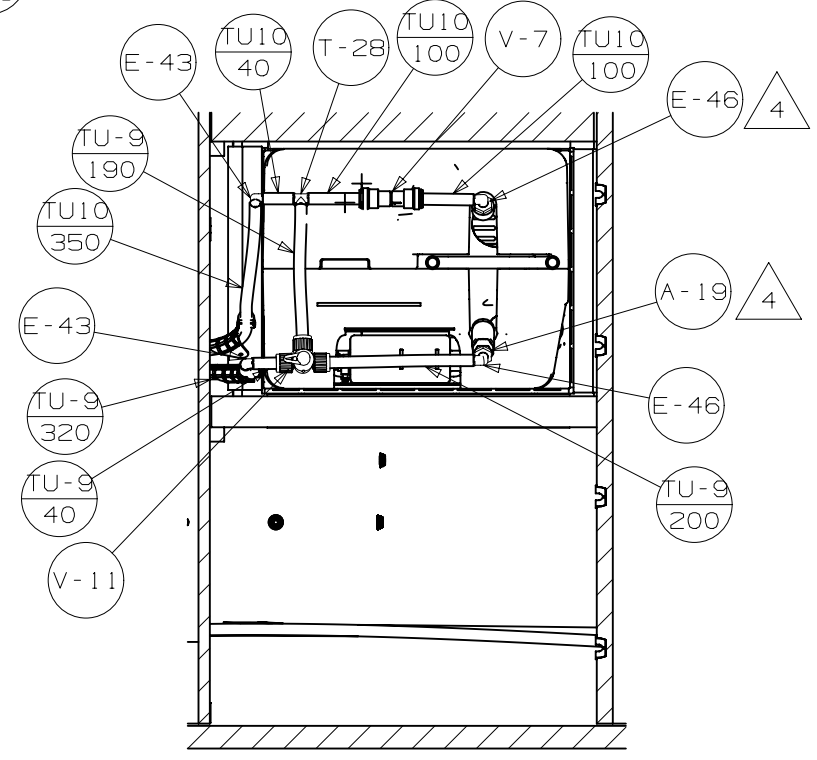
SECTION E-E

FIRST USED	13 H250		
TITLE:	DO NOT SCALE DRAWING		
	WATER SYSTEM INSTL		
SHEET 2	PART NO	182160	REV

- WATER HEATER (53B)  
145541-02-000
- DOOR-WATER HEATER  
125420-06-CHT
- SCREW  
000G39-10-16U(16)
- FLANGE-WATER HEATER  
152239-01-CHT
- EXTR-WATER HEATER  
165959-51-002 (2)
- 165959-51-004 (2)
- CABLE ASM  
076767-03-000
- SCREW  
000G11-06-08U



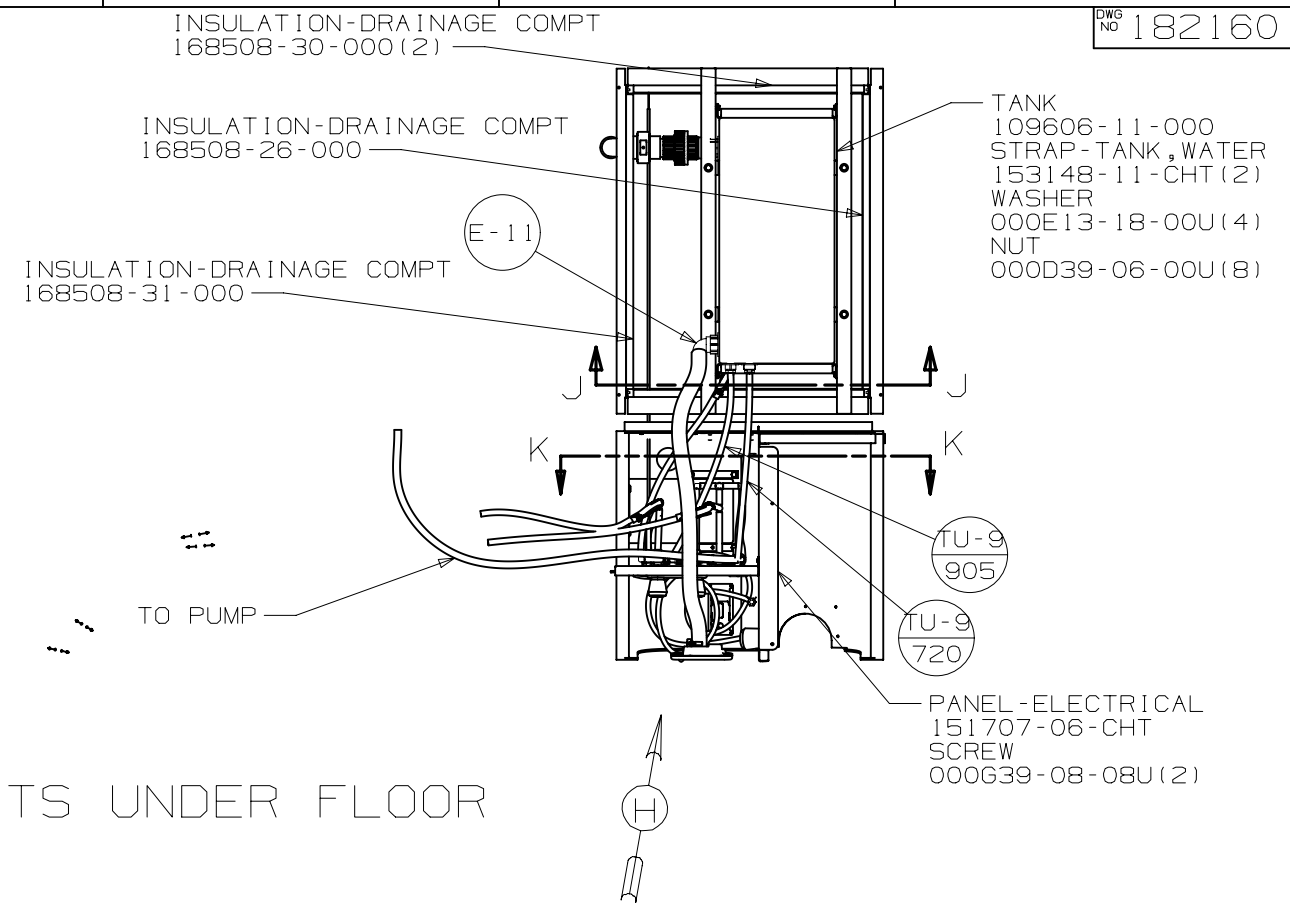
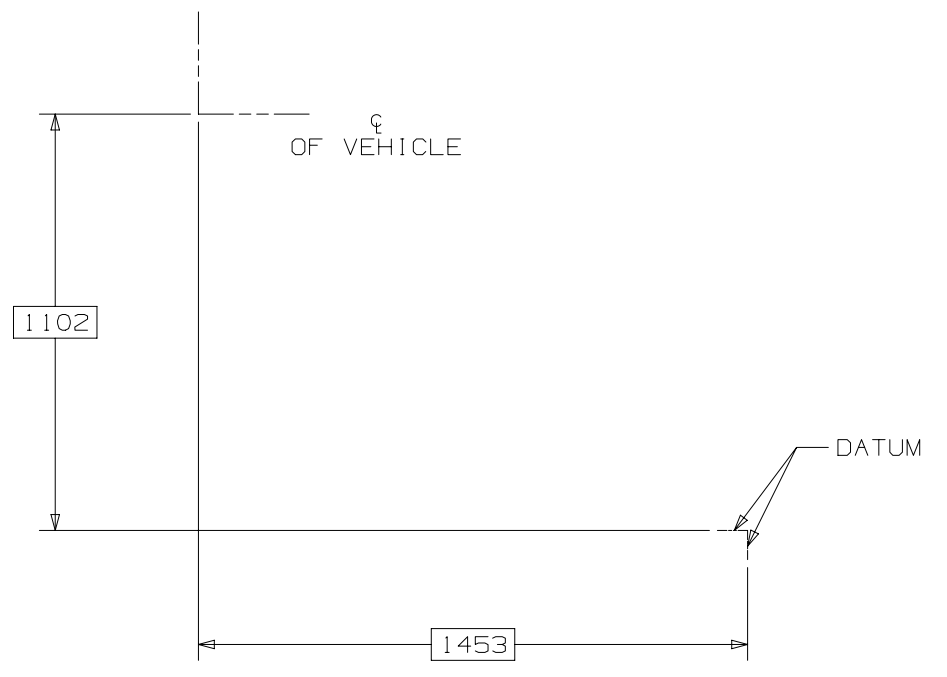
VIEW C



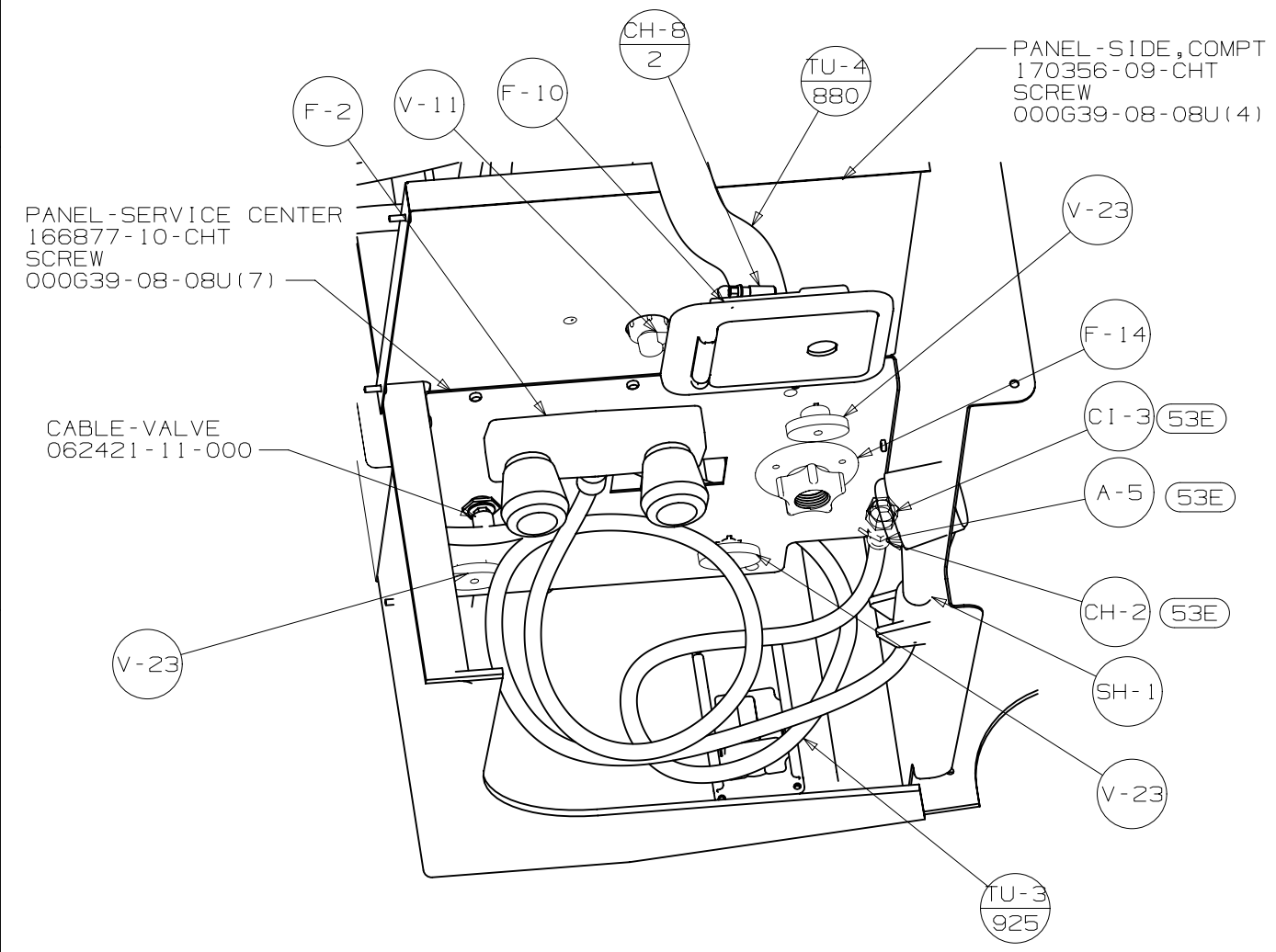
SECTION G-G

DETAIL F (SHOWN W/OUT CABINETS)

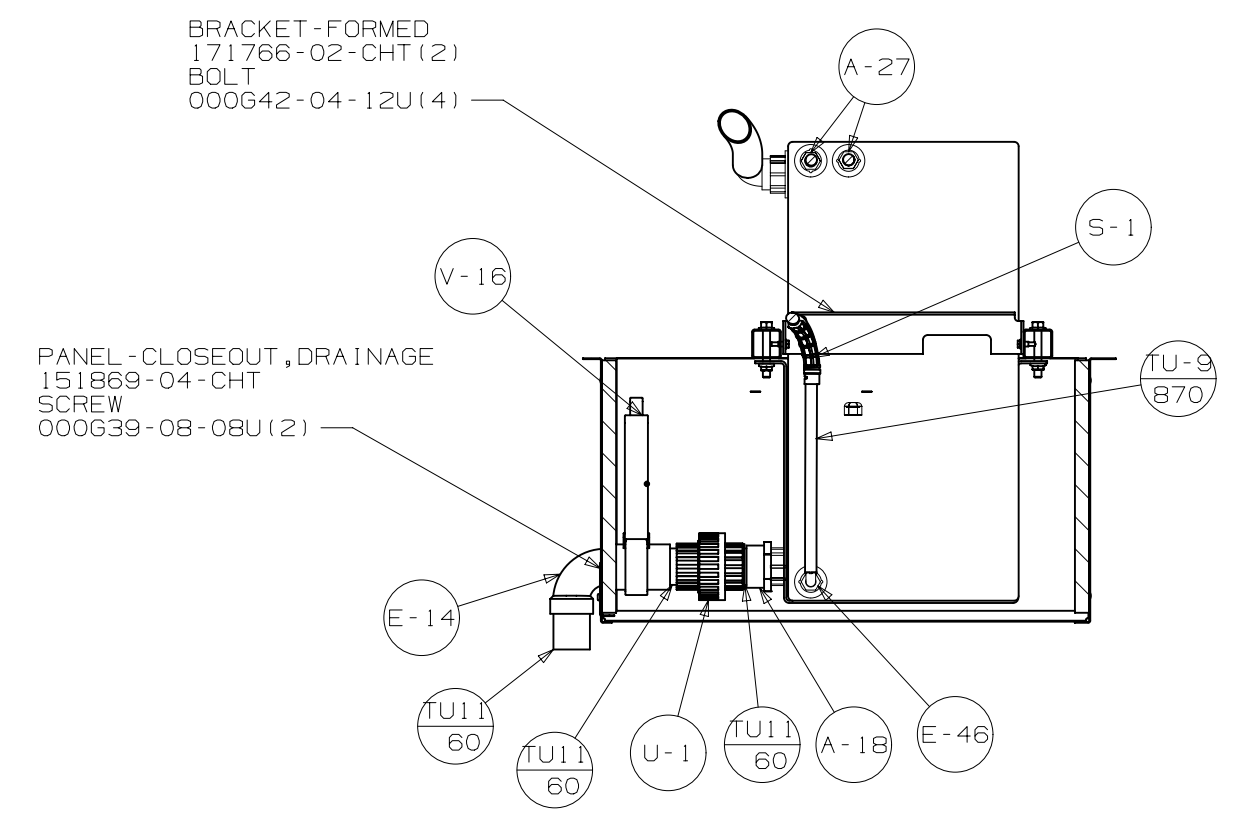
FIRST USED	13 H25Q	
TITLE:	DO NOT SCALE DRAWING	
SHEET 3	PART NO	182160
	REV	



SHOWING TANKS AND COMPTS UNDER FLOOR



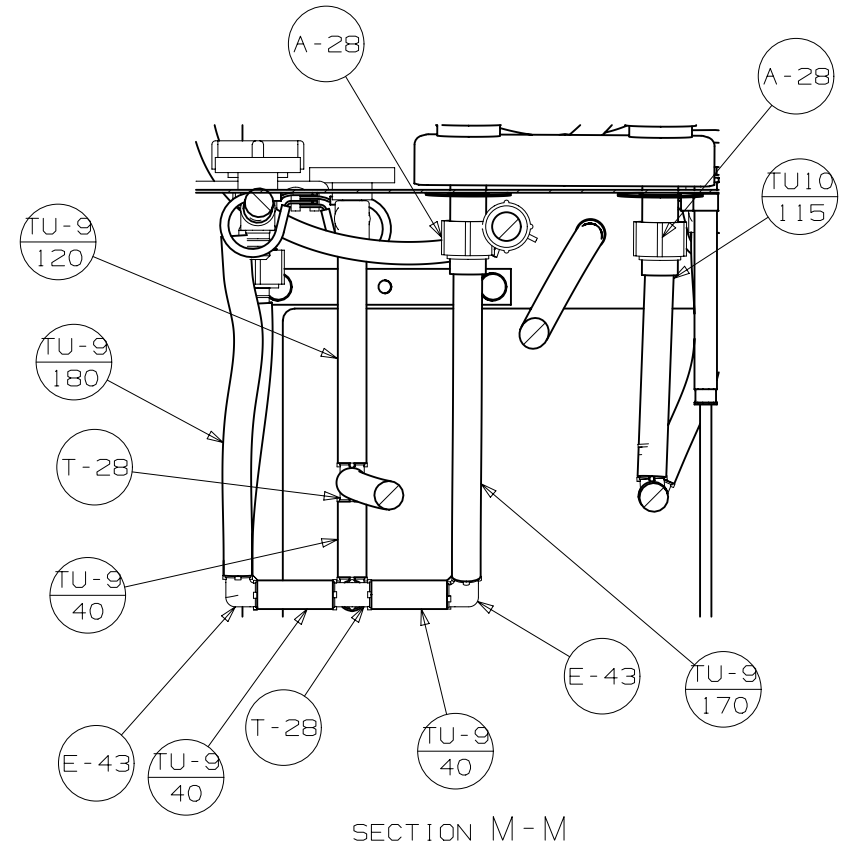
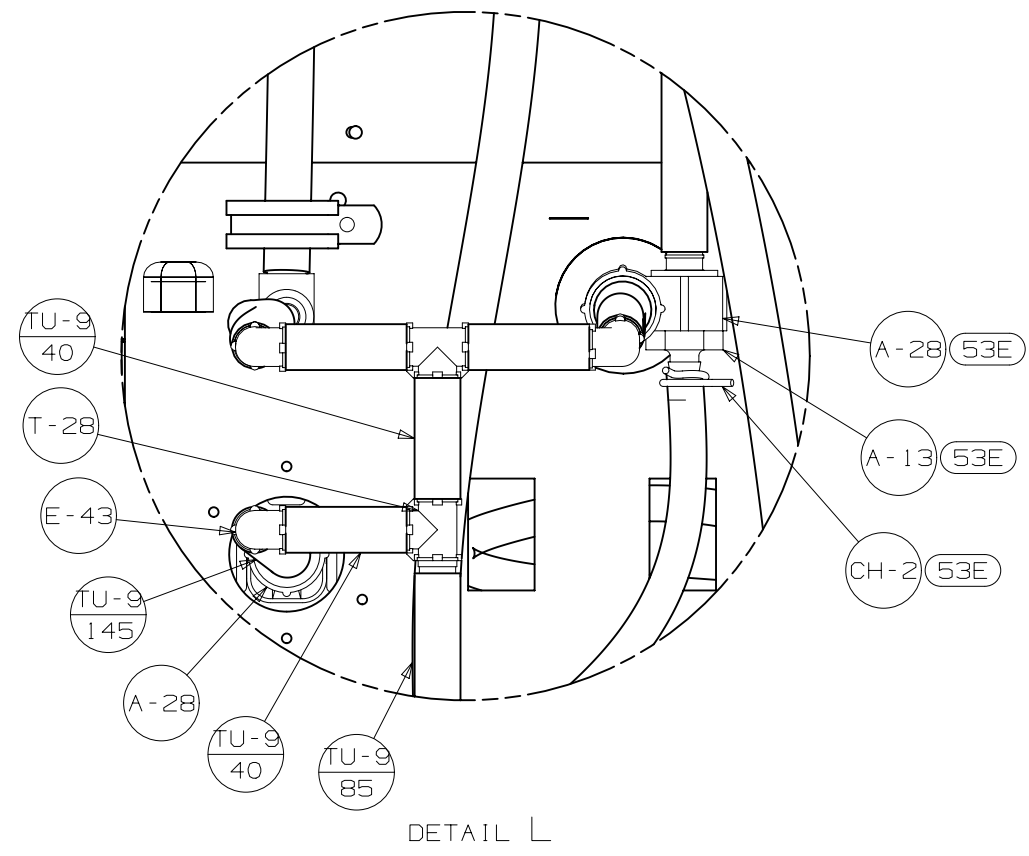
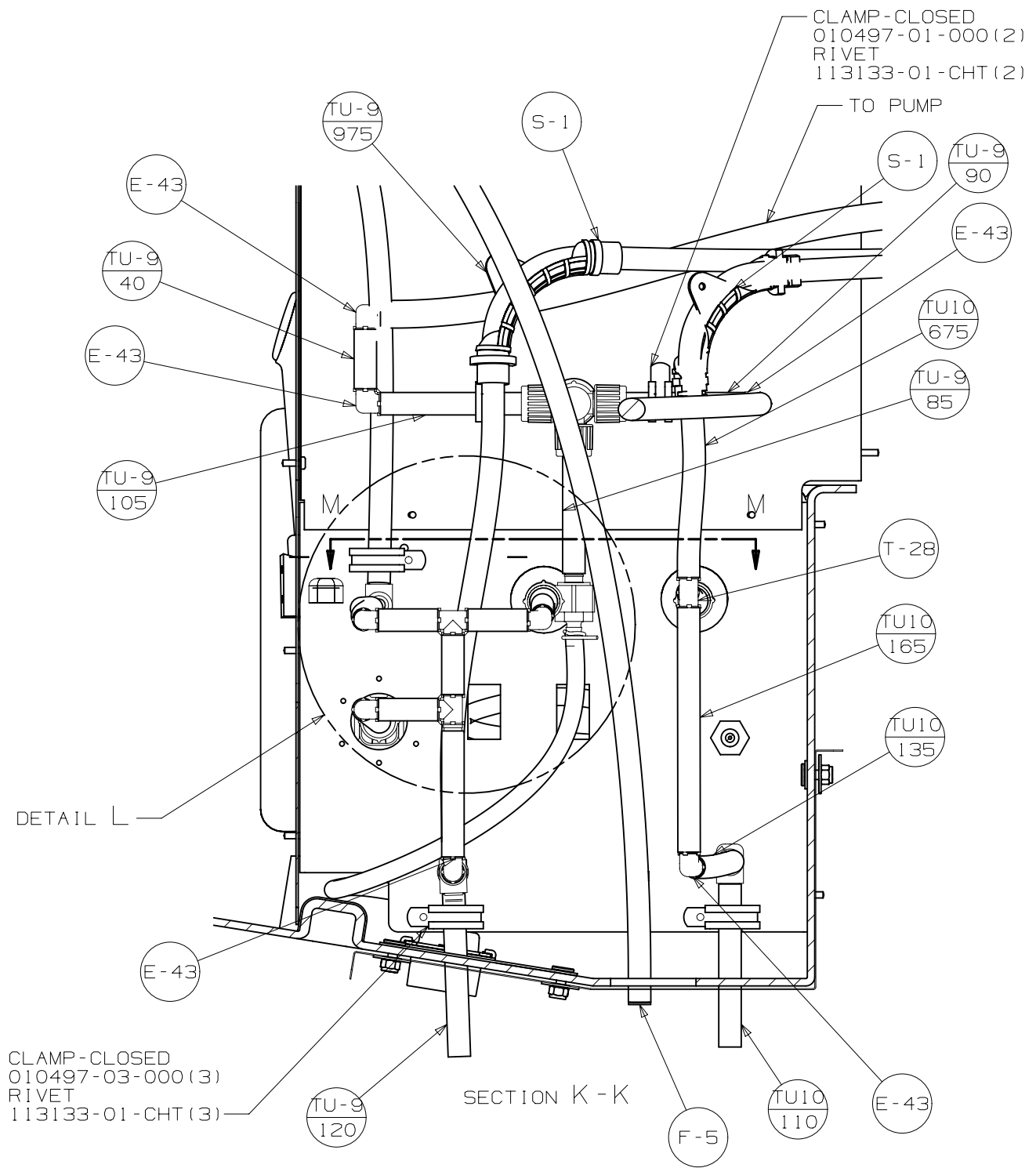
VIEW H



SECTION J-J

FIRST USED	13 H25Q		
TITLE:	DO NOT SCALE DRAWING		
	WATER SYSTEM INSTL		
SHEET 4	PART NO	182160	REV





FIRST USED	13 H250		
TITLE:	DO NOT SCALE DRAWING		
SHEET	5	PART NO	182160
REV			