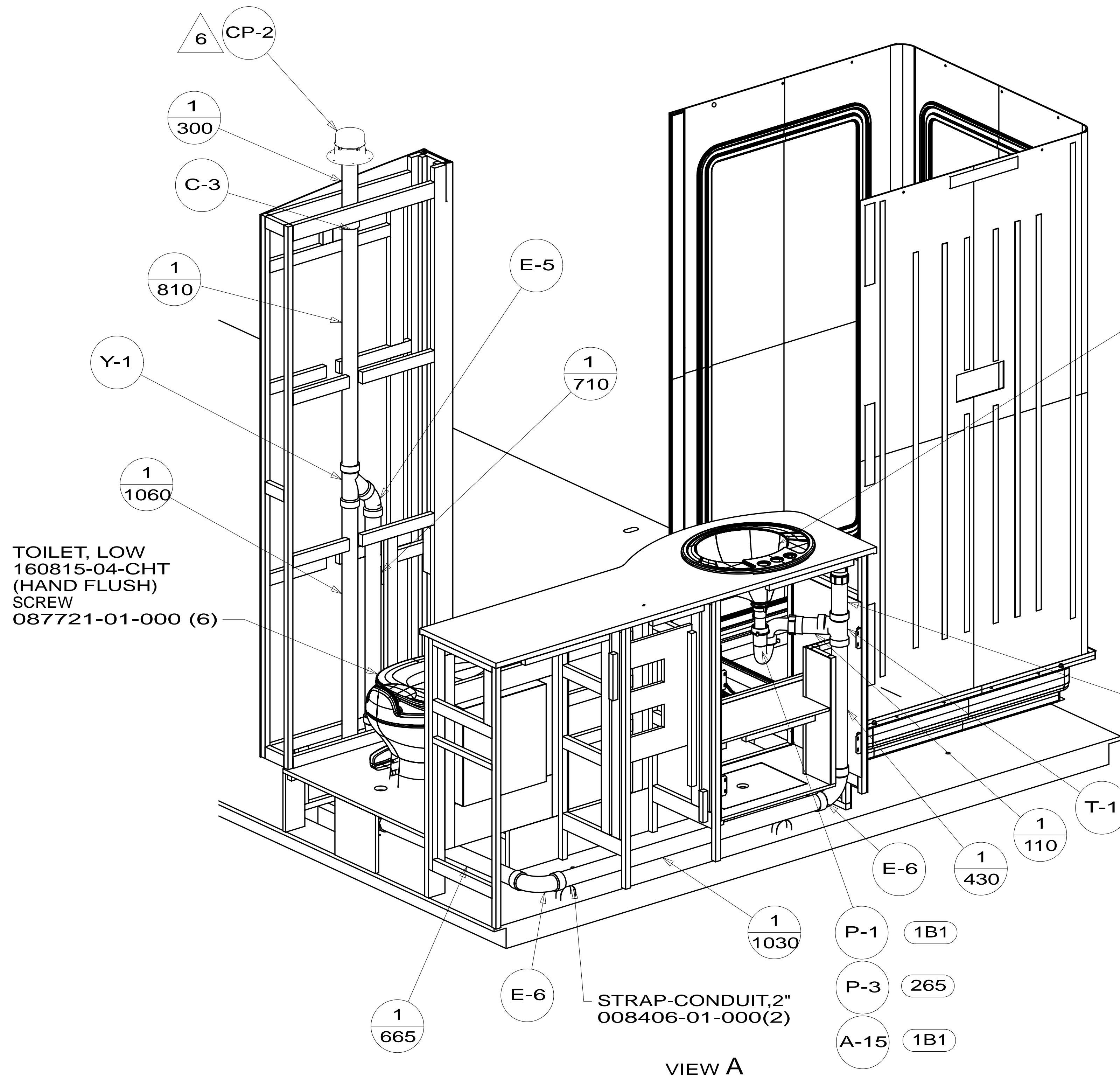


- NOTES:
1. SLOPE OF HORIZONTAL PIPING TO BE MINIMUM OF 3 PER 305 mm.
 2. SLOPE OF TRAP ARM MUST BE 6 PER 305 mm.
 3. ALL PIPE AND FITTINGS TO BE ASSEMBLED WITH SOLVENT 004020-01-000 (USA), 004020-02-000 (CAN)
 4. USE SMOOTH PLUMBERS PUTTY 167459-01-000 TO SEAL STRAINER (0.2 PER STRAINER).
 5. SEAL AROUND SHOWER WITH SILICONE.
 6. VENT PIPE MUST PROJECT 51 MIN AND 64 MAX ABOVE ROOF FOR PROPER FIT AND FUNCTION. ADD S-1 (116666-01-CHT SEAL-VENT PIPE) AROUND PIPE ON ROOF BEFORE VENT CAP IS INSTALLED.
 7. SECURE VENT PIPE TO TANK WITH CLAMP 062401-02-000.
 8. SECURE DRAINAGE PIPES TO CABINET USING WIRE TIE 108046-02-000, AND SCREW 000G67-10-12U AT INTERVALS OF NOT OF NOT MORE THAN 4 FEET APART.
 9. SEE DRAWING 061607 FOR INSTALLATION OF GROMMETS.
 10. USE TEFLON TAPE 010405-01-000 FOR PUMP TO A-12 CONNECTION.

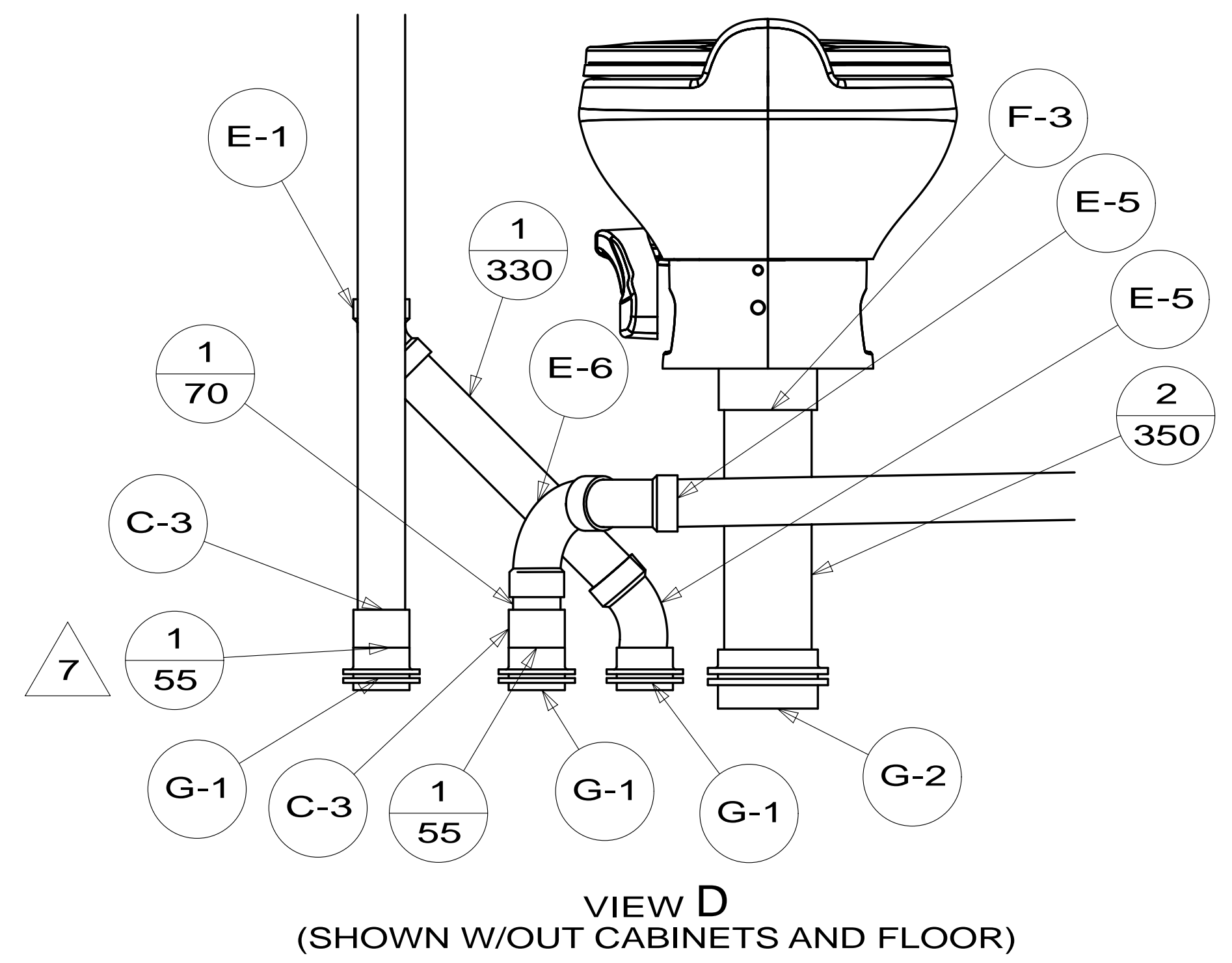
265 CODES/STDS-CSA/CMVSS
 1B1 CODES/STANDARDS-USA

		COPYRIGHT 2012 WINNEBAGO INDUSTRIES, INC.
DFT-ORIG	ORIG. DATE	
CHKR	ALL DIMENSIONS ARE IN MILLIMETERS	
P.E.		
M.E.	FIRST USED	
DSNR	13 E35F	
UNSPECIFIED TOLERANCES ARE:		MATERIAL:
WHOLE DIM (X)	: 3	
ONE-PLACE (X.X)	:	
TWO-PLACE (X.XX)	:	
ANGLE	:	
THIRD ANGLE PROJECTION		
DO NOT SCALE DRAWING		REFER TO ES0018 FOR FASTENER TIGHTENING GUIDELINES
TITLE: DRAINAGE SYSTEM INSTL		
SHEET 1 OF 4	PART NO	181524
REF:	1	20-Sep-2012

FOR DRAINAGE CALLOUTS SEE DWG NO 116229-01-000



SINK-LAV
164615-01-CHT
STRAINER
106116-01-CHT
GASKET
106116-02-CHT
SEAL
(A/R)



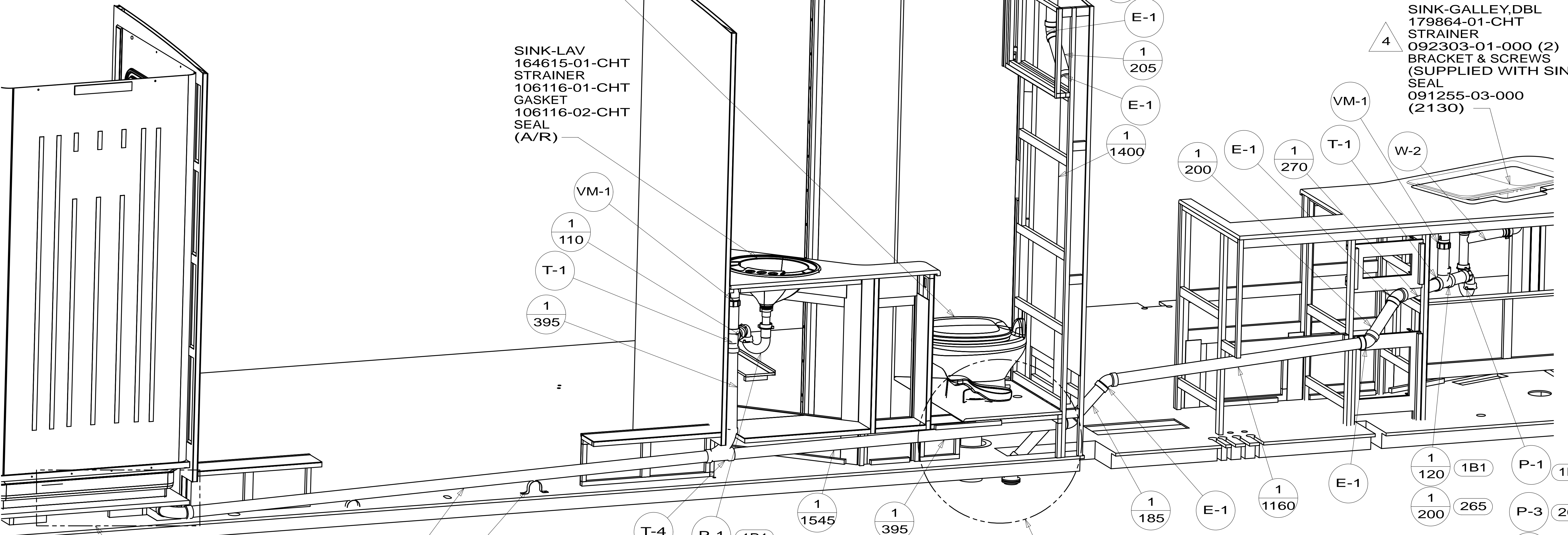
FIRST USED	13 E35F	
TITLE:	DO NOT SCALE DRAWING	
TITLE:	DRAINAGE SYSTEM INSTL	
SHEET 2	PART NO	181524
	REV	1
		20-Sep-2012

TOILET, LOW
160815-04-CHT
(HAND FLUSH)
SCREW
087721-01-000 (6)

SINK-LAV
164615-01-CHT
STRAINER
106116-01-CHT
GASKET
106116-02-CHT
SEAL
(A/R)

SINK-GALLEY, DBL
179864-01-CHT
STRAINER
092303-01-000 (2)
BRACKET & SCREWS
(SUPPLIED WITH SINK)
SEAL
091255-03-000
(2130)

SHOWER INSTL-ENCLOSURE
174527-01-000
STRAINER
066440-01-000
TAILPIECE
011069-06-000
RUBBER WASHER
127440-02-CHT
NUT
130403-02-000

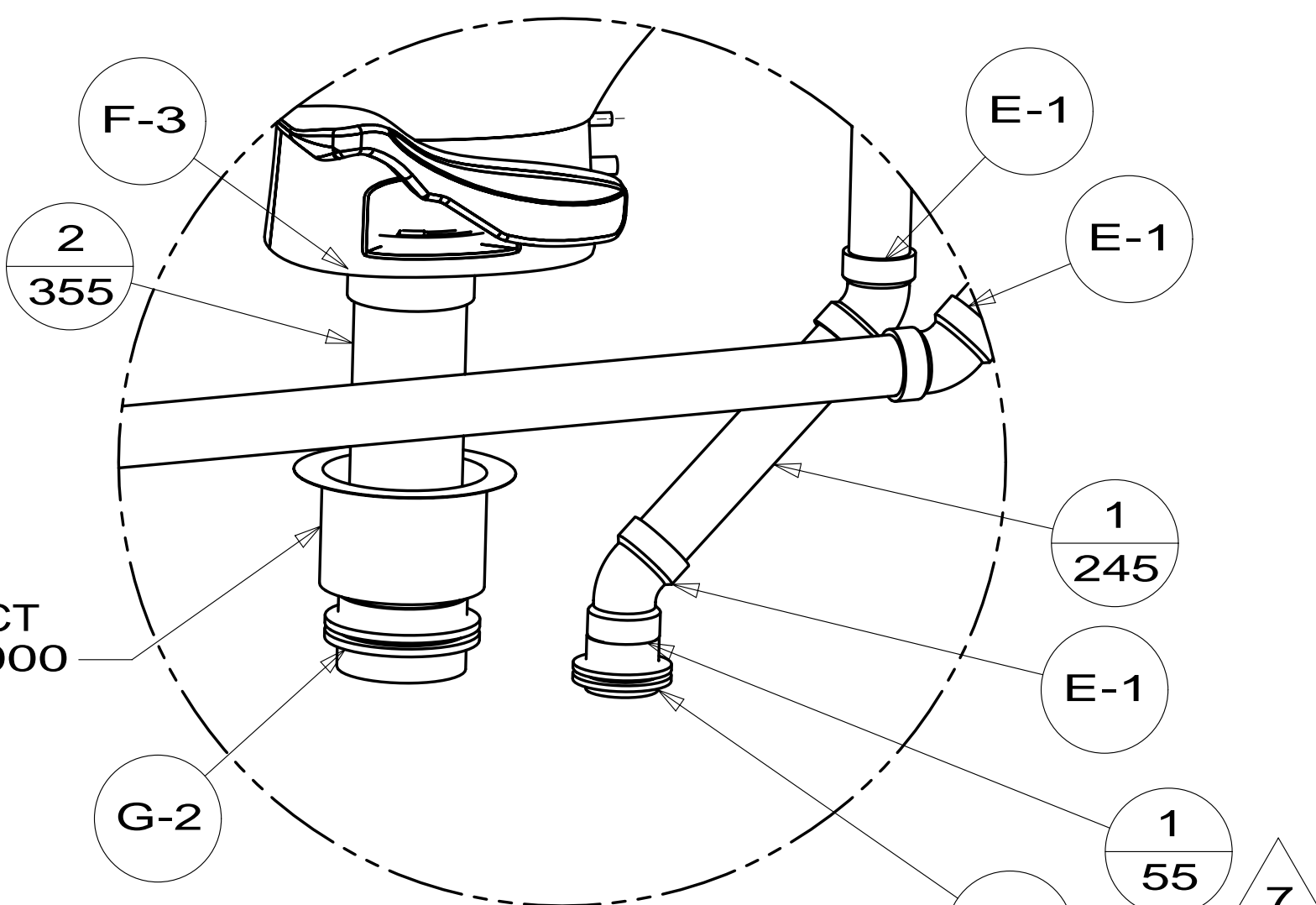


DETAIL C

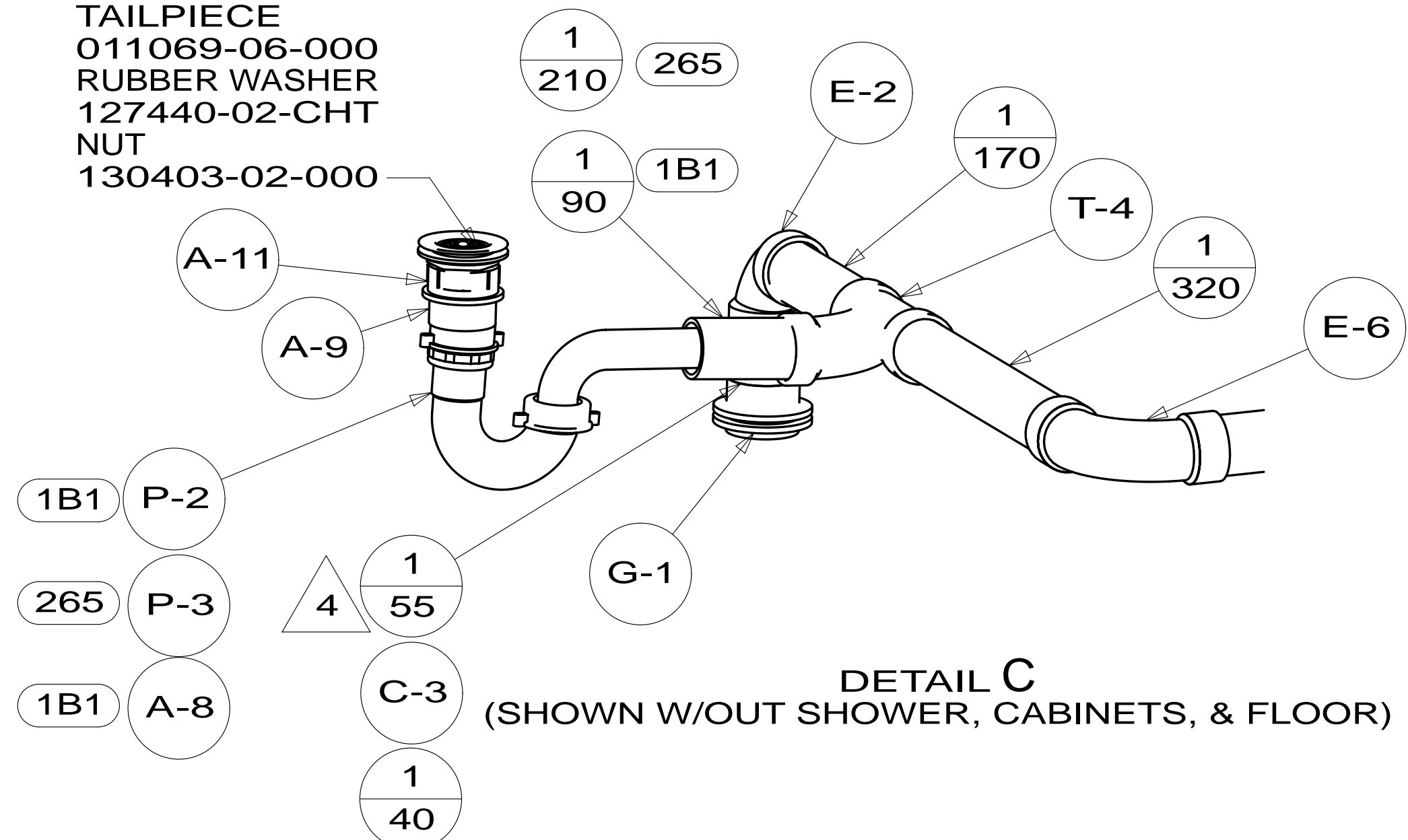
STRAP-CONDUIT, 2"
008406-01-000(2)

VIEW B

DETAIL E

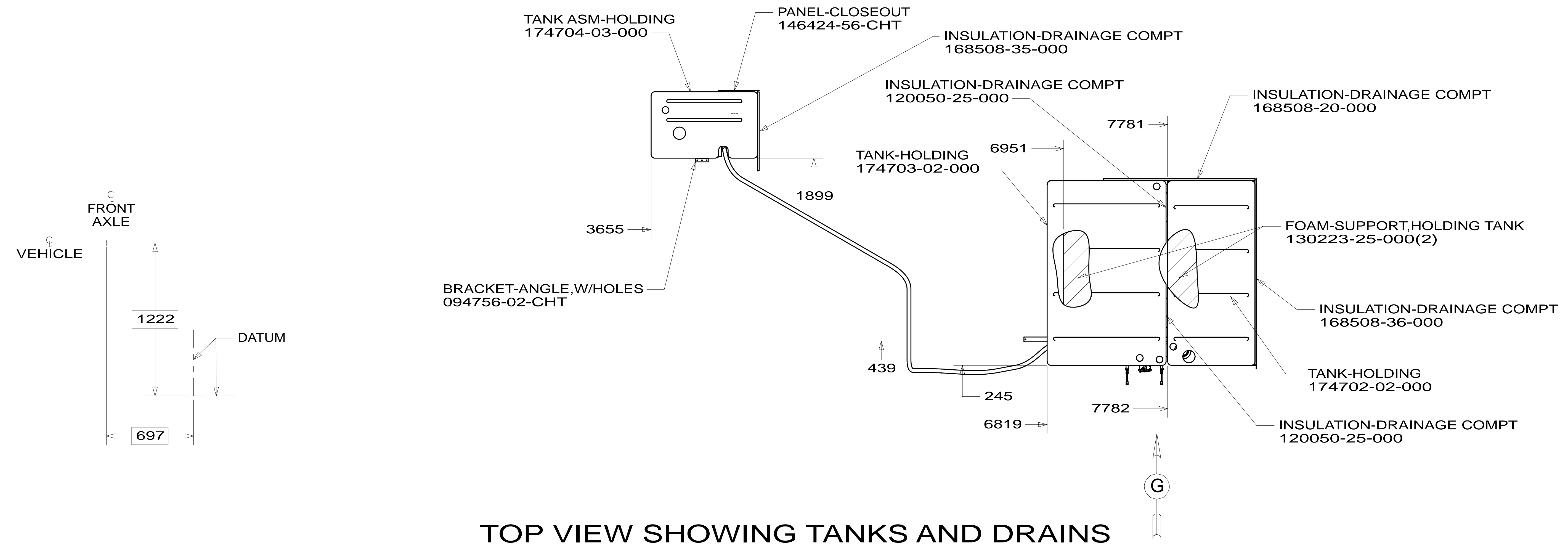


DETAIL E
(SHOWN W/OUT CABINETS & FLOOR)

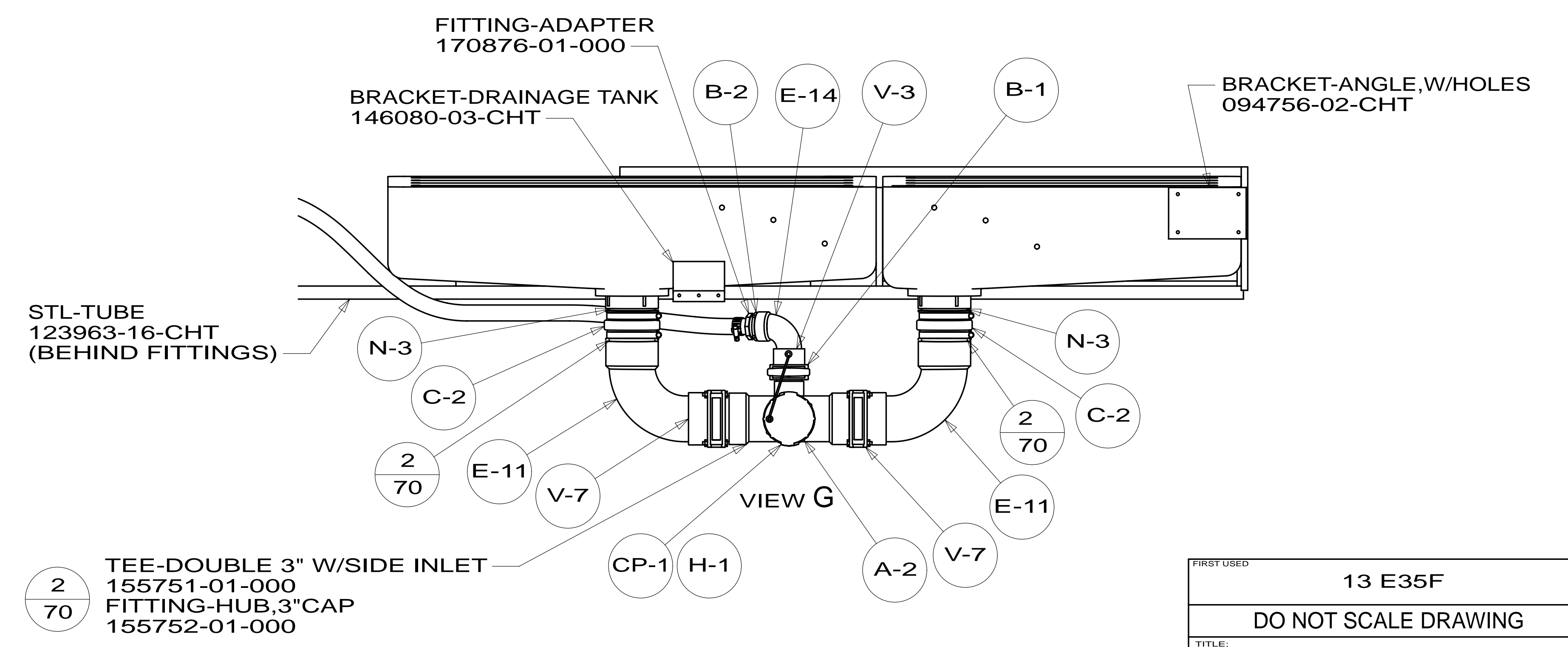


DETAIL C
(SHOWN W/OUT SHOWER, CABINETS, & FLOOR)

FIRST USED	13 E35F
DO NOT SCALE DRAWING	
TITLE: DRAINAGE SYSTEM INSTL	
SHEET 3	PART NO 181524 REV
	20-Sep-2012



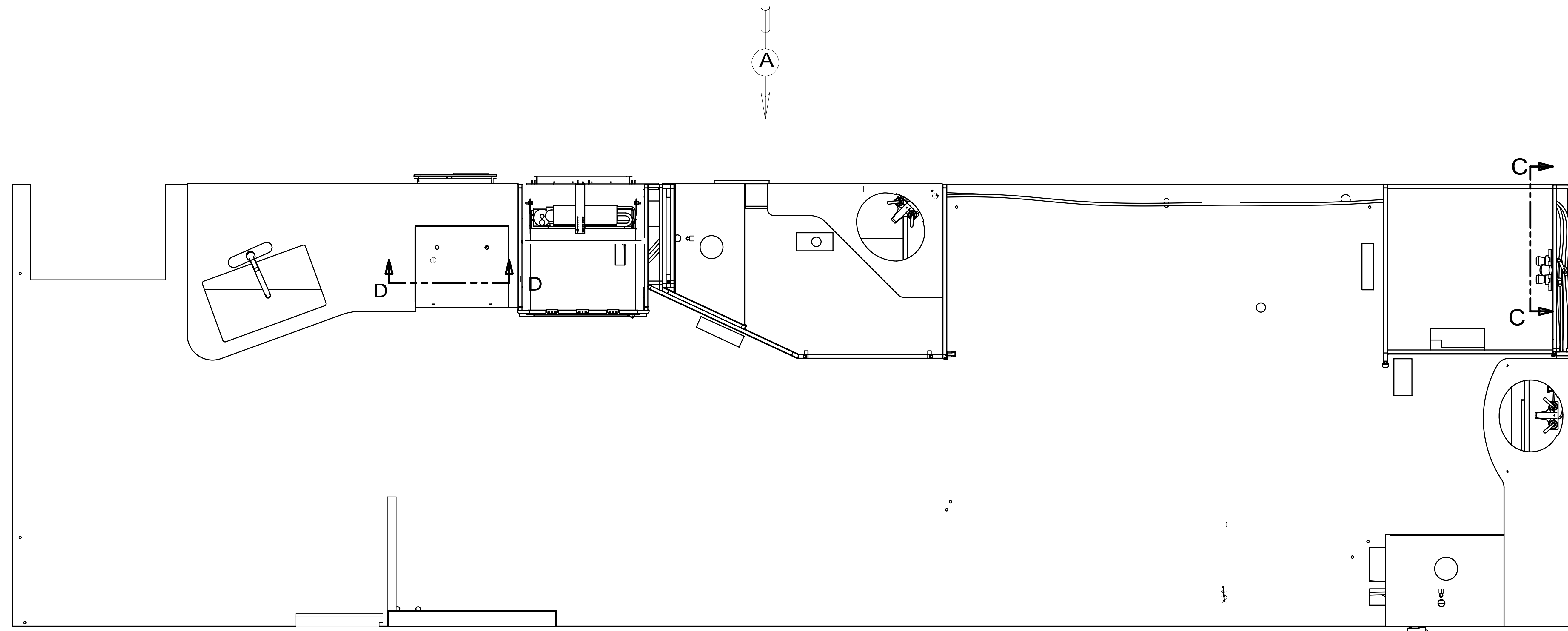
TOP VIEW SHOWING TANKS AND DRAINS



$\frac{2}{70}$ TEE-DOUBLE 3" W/SIDE INLET
 155751-01-000
 FITTING-HUB, 3" CAP
 155752-01-000

10

FIRST USED	13 E35F	
DO NOT SCALE DRAWING		
TITLE: DRAINAGE SYSTEM INSTL		
SHEET 4	PART NO 181524	REV

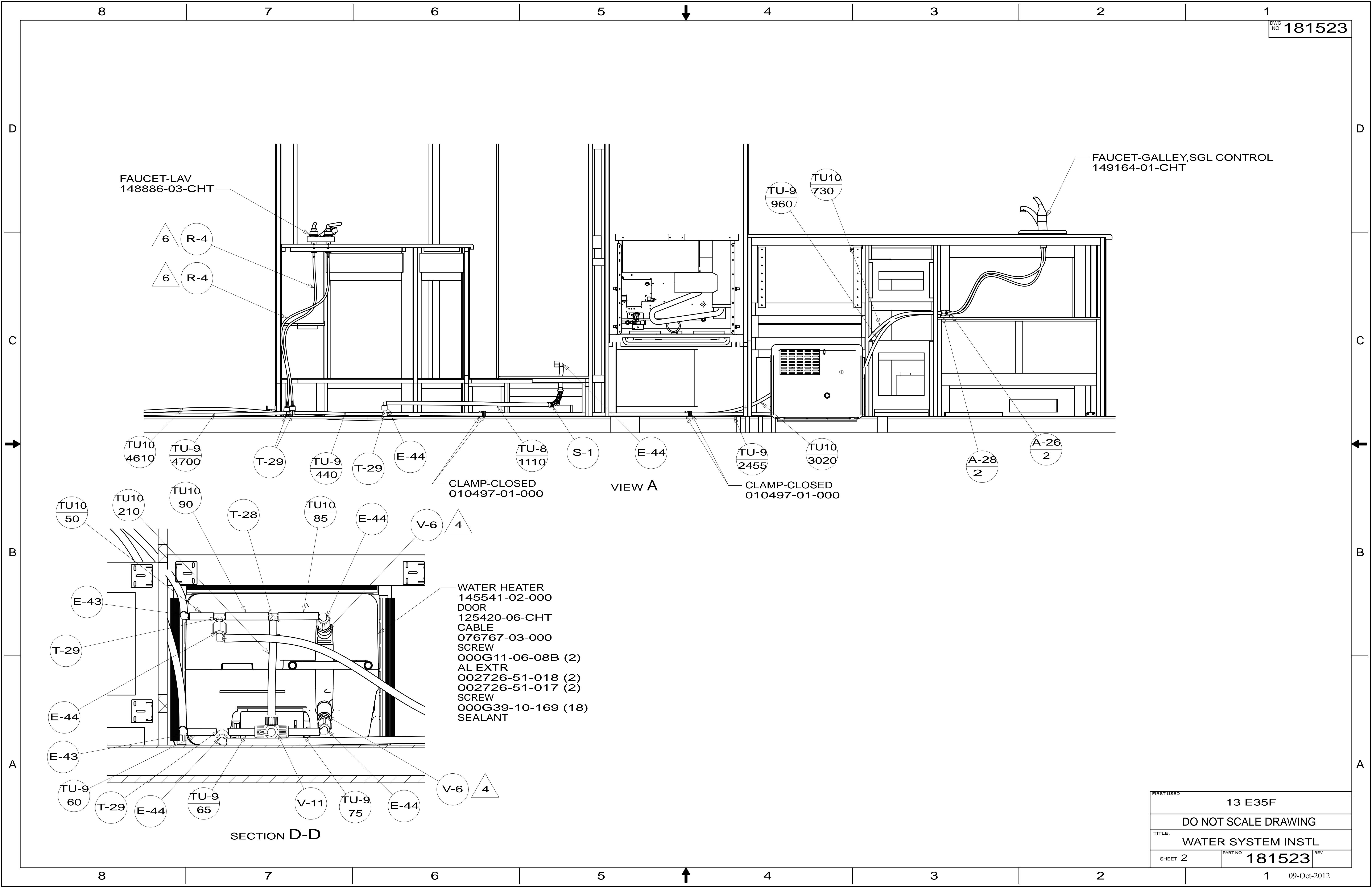


8. ALL CRIMP FITTINGS TO PEX TUBING REQUIRE 1/2" CLAMP 140171-03-000.
7. ALL CRIMP FITTINGS TO PEX TUBING REQUIRE 5/8" CLAMP 140171-04-000.
- 6 LABEL HOT AND COLD SUPPLY TUBES AND TAPE FITTING TO TUBE BEFORE CABINET SET TO PREVENT MOVEMENT.
- 5 ADD PIPE WRAP (LADDER SCRAP 110157-02-000) INSULATION.
- 4 ADD TEFLON TAPE 010405-02-000.
3. ALL TUBING TO BE SECURED AT 1200 INTERVALS MAXIMUM WITH CLAMP 010495-01-000 AND SCREW 000G67-10-12B OR EQUIVALENT.
2. TUBING TO BE INSTALLED WITH SUFFICIENT SLOPE TO PROVIDE DRAINAGE TO NEAREST VALVE.
1. PLASTIC FITTINGS TO BE SEALED WITH SEALANT 084456-01-000.

NOTES:

FOR WATER CALLOUTS SEE DWG NO 116230-01-000

WINNEBAGO		COPYRIGHT 2012 WINNEBAGO INDUSTRIES, INC.	
DFTR	ORIG. DATE	ALL DIMENSIONS ARE IN MILLIMETERS	
CHKR			
P.E.			
M.E.	FIRST USED		
DSNR		13 E35F	
UNSPECIFIED TOLERANCES ARE:		MATERIAL:	
WHOLE DIM (X)	: 3		
ONE-PLACE (X.X)	: 1.5		
TWO-PLACE (X.XX)	: 0.50		
ANGLE	: 1°		
THIRD ANGLE PROJECTION			
DO NOT SCALE DRAWING	REFER TO ES0018 FOR FASTENER TIGHTENING GUIDELINES		
TITLE: WATER SYSTEM INSTL			
SHEET 1 OF 5	PART NO 181523	REV	
REF:	1	09-Oct-2012	



FAUCET-LAV
148886-03-CHT

FAUCET-GALLEY, SGL CONTROL
149164-01-CHT

6 R-4

6 R-4

TU10
4610

TU-9
4700

T-29

TU-9
440

T-29

E-44

TU-8
1110

S-1

E-44

TU-9
2455

TU10
3020

A-28
2

A-26
2

CLAMP-CLOSED
010497-01-000

VIEW A

CLAMP-CLOSED
010497-01-000

TU10
50

TU10
210

TU10
90

T-28

TU10
85

E-44

V-6
4

WATER HEATER
145541-02-000
DOOR
125420-06-CHT
CABLE
076767-03-000
SCREW
000G11-06-08B (2)
AL EXTR
002726-51-018 (2)
002726-51-017 (2)
SCREW
000G39-10-169 (18)
SEALANT

E-43

T-29

E-44

E-43

TU-9
60

T-29

E-44

TU-9
65

V-11

TU-9
75

E-44

V-6
4

SECTION D-D

FIRST USED	13 E35F	
TITLE:	DO NOT SCALE DRAWING	
TITLE:	WATER SYSTEM INSTL	
SHEET 2	PART NO	181523
	REV	1
		09-Oct-2012

FAUCET-LAV
148886-03-CHT

E-44 4
E-44 4
TU10 2090
TU-9 2190
R-5 6
R-5 6

TO TOILET

E-44
TU-8 900

CLAMP-CLOSED
010497-01-000

TU10 2225

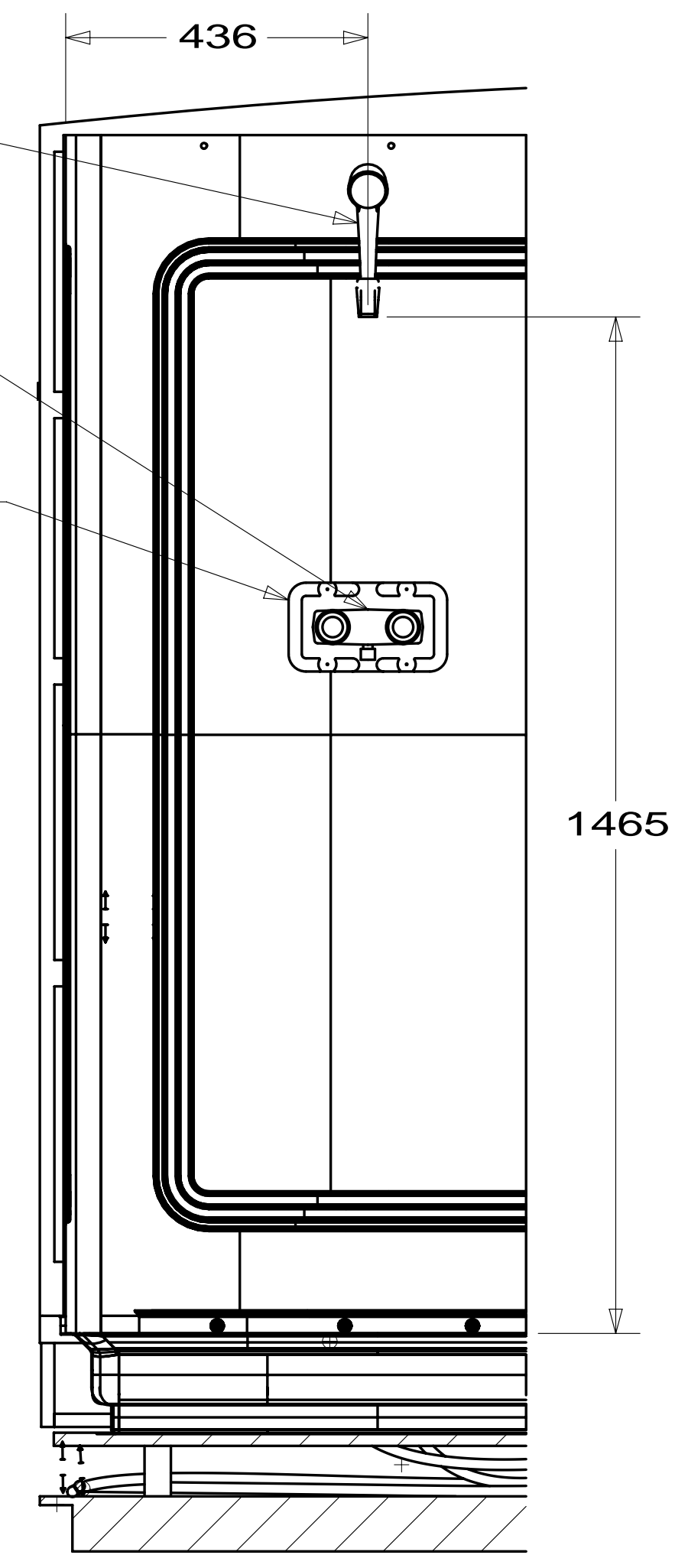
TU-9 2095

VIEW B

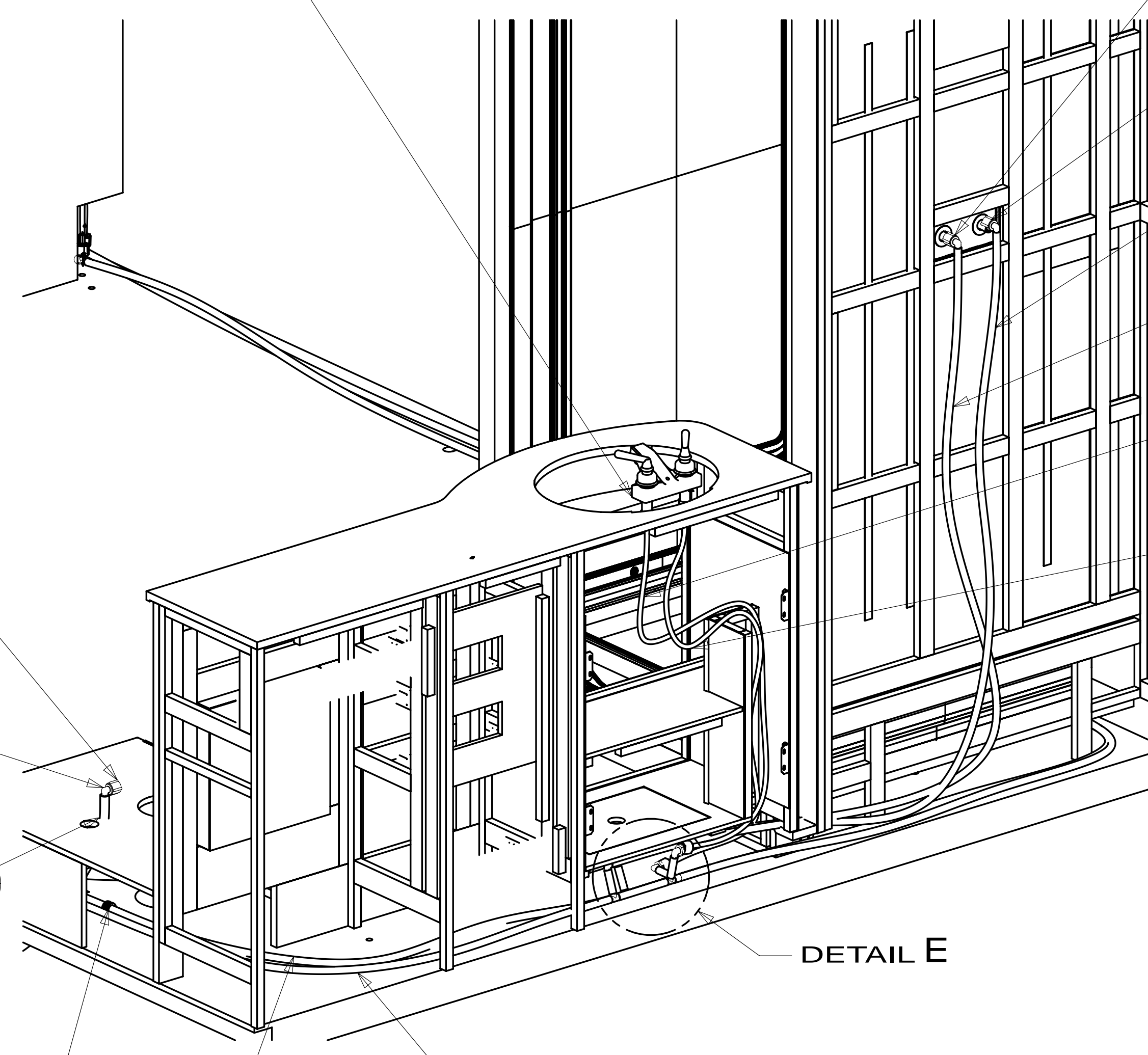
DETAIL E

E-43
TU10 115
E-46
TU10 50
TU10 50
TU-9 50
TU-9 50
T-28
T-28
TU-9 130

DETAIL E

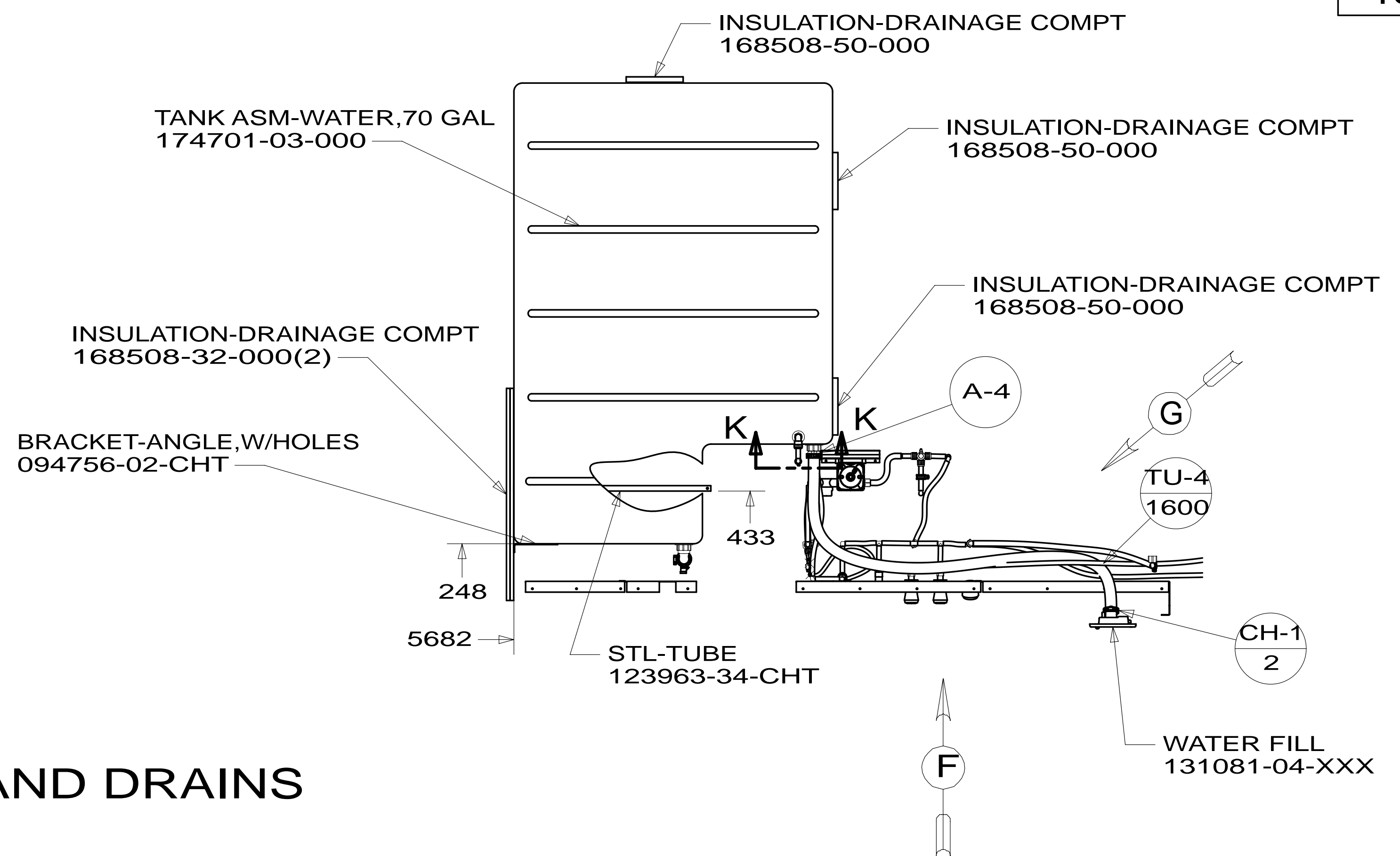
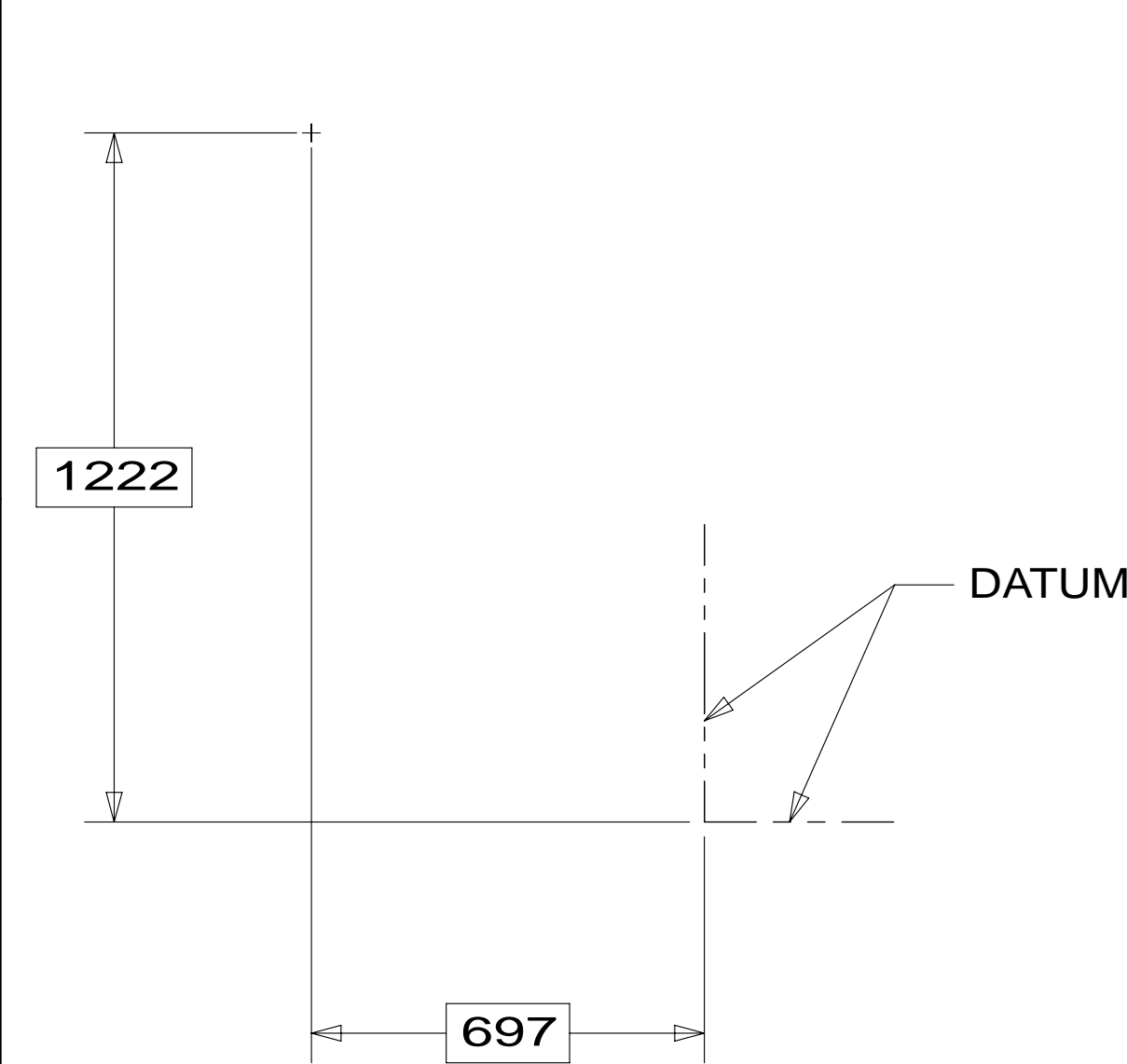


SECTION C-C

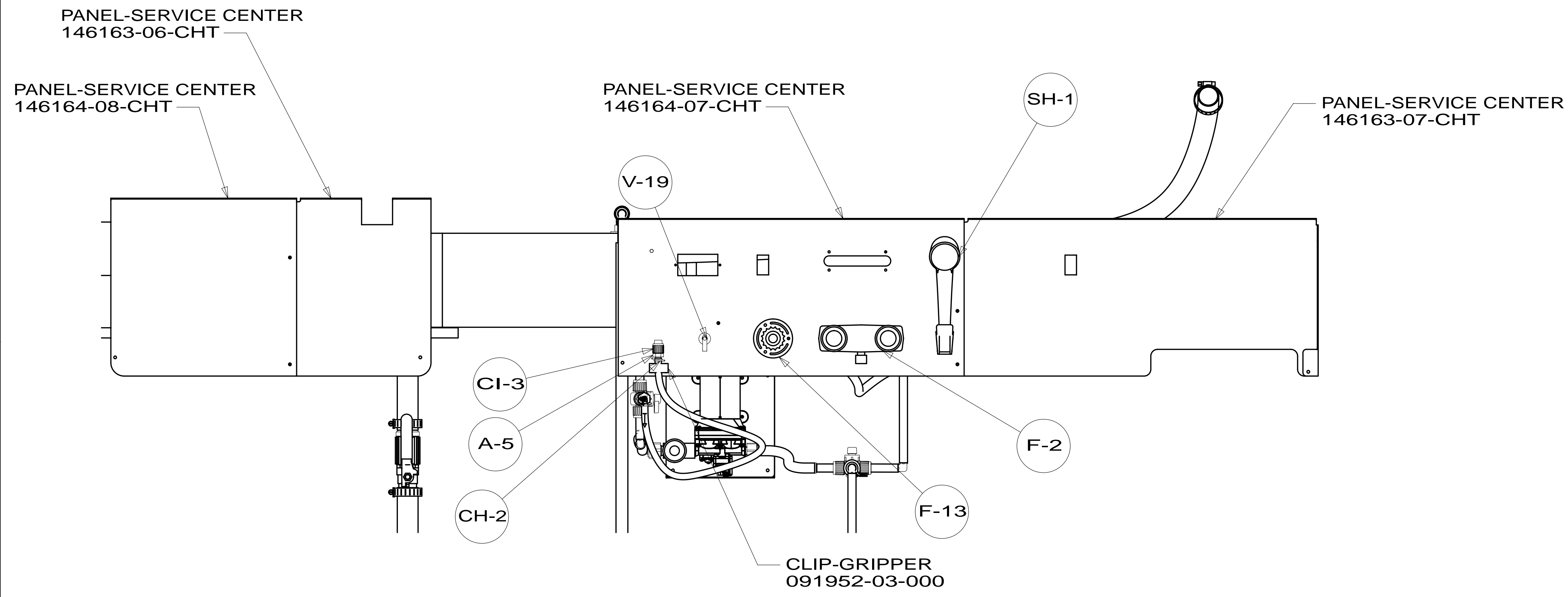


FIRST USED	13 E35F	
TITLE:	DO NOT SCALE DRAWING	
	WATER SYSTEM INSTL	
SHEET 3	PART NO 181523	REV
	1	09-Oct-2012

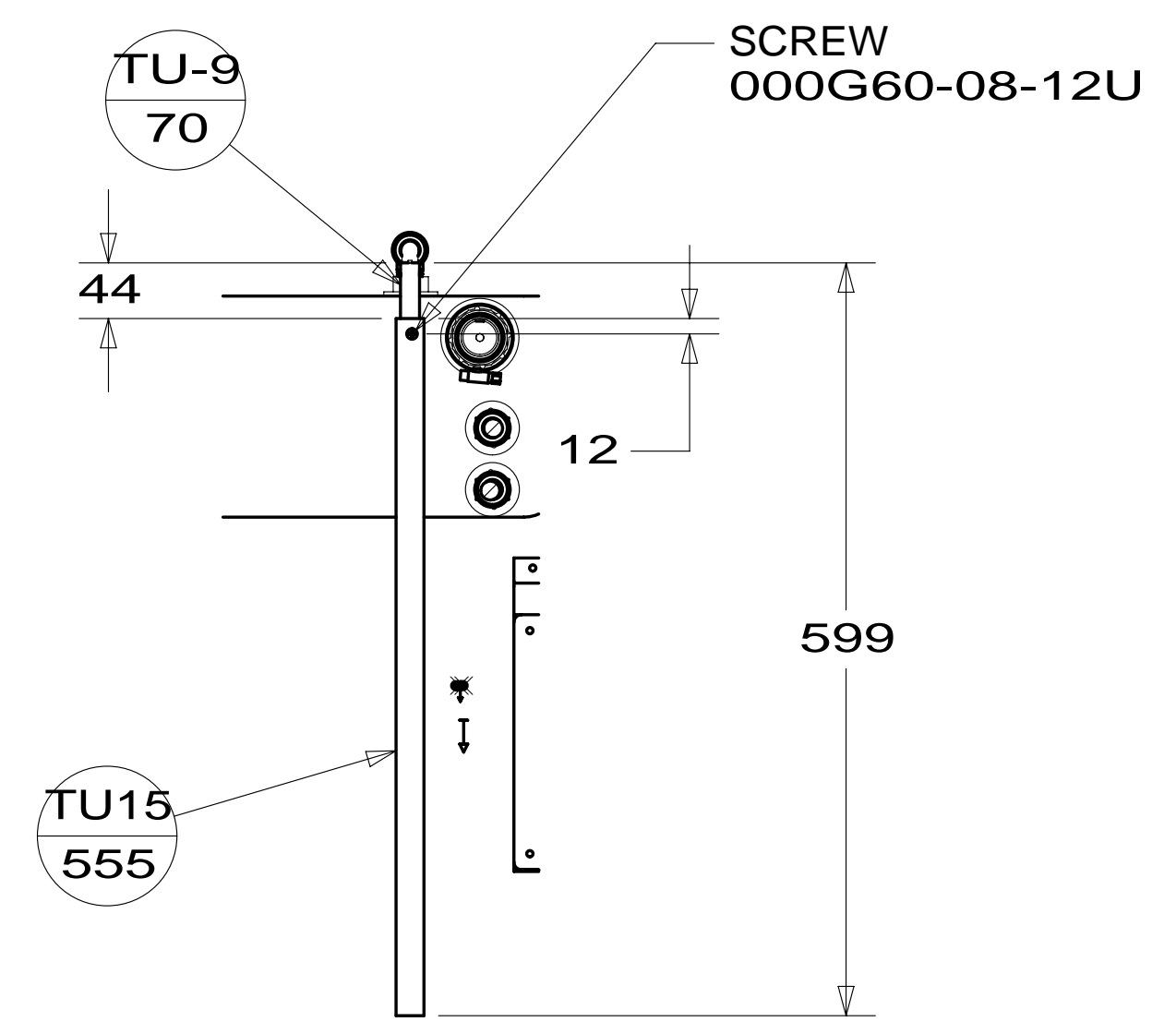
8 7 6 5 4 3 2 1



SHOWING ONLY TANKS AND DRAINS



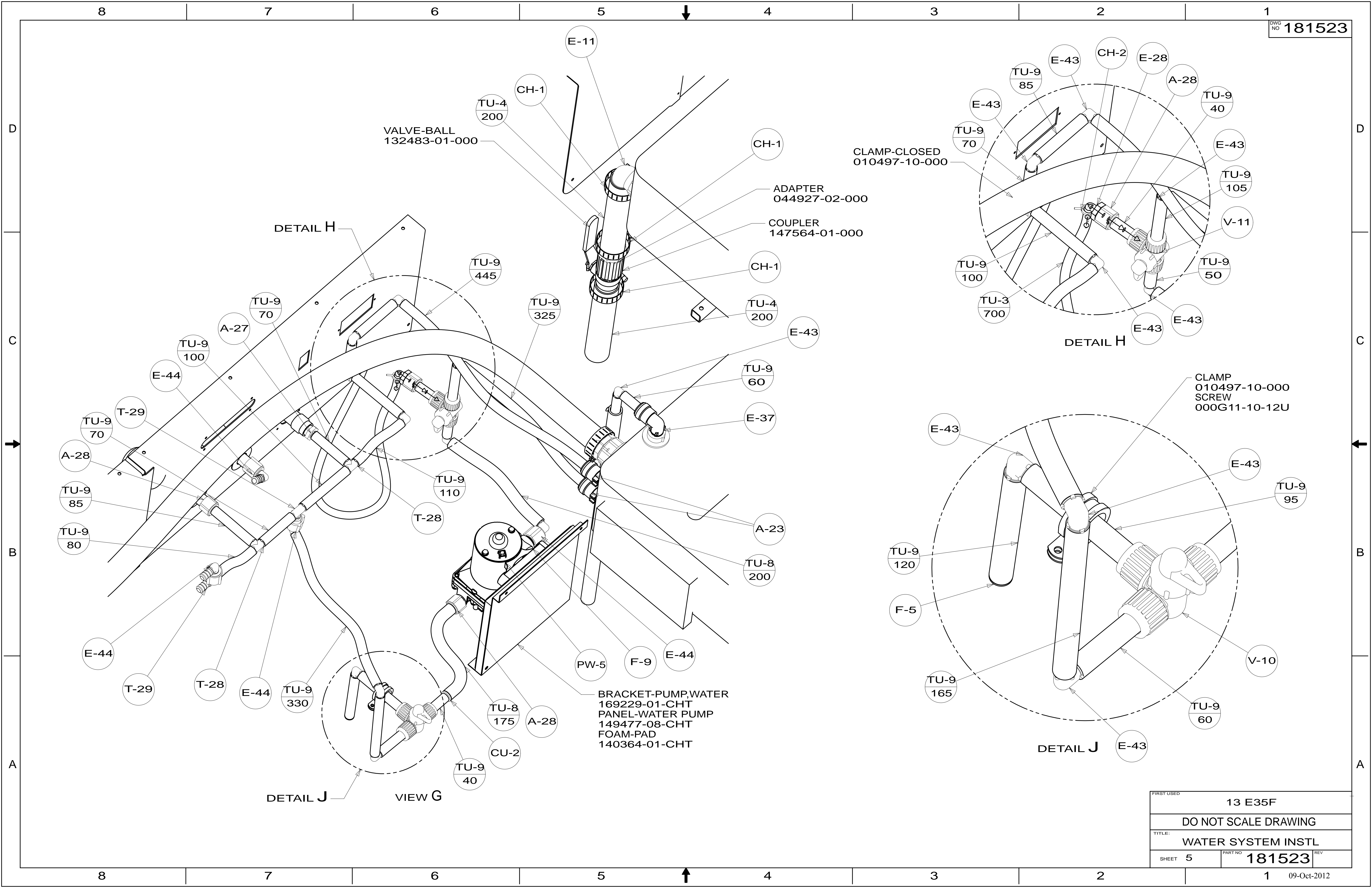
VIEW F



SECTION K-K

FIRST USED	13 E35F		
TITLE:	DO NOT SCALE DRAWING		
TITLE:	WATER SYSTEM INSTL		
SHEET 4	PART NO	181523	REV
			09-Oct-2012

8 7 6 5 4 3 2 1



FIRST USED	13 E35F		
TITLE:	DO NOT SCALE DRAWING		
	WATER SYSTEM INSTL		
SHEET 5	PART NO	181523	REV
			09-Oct-2012