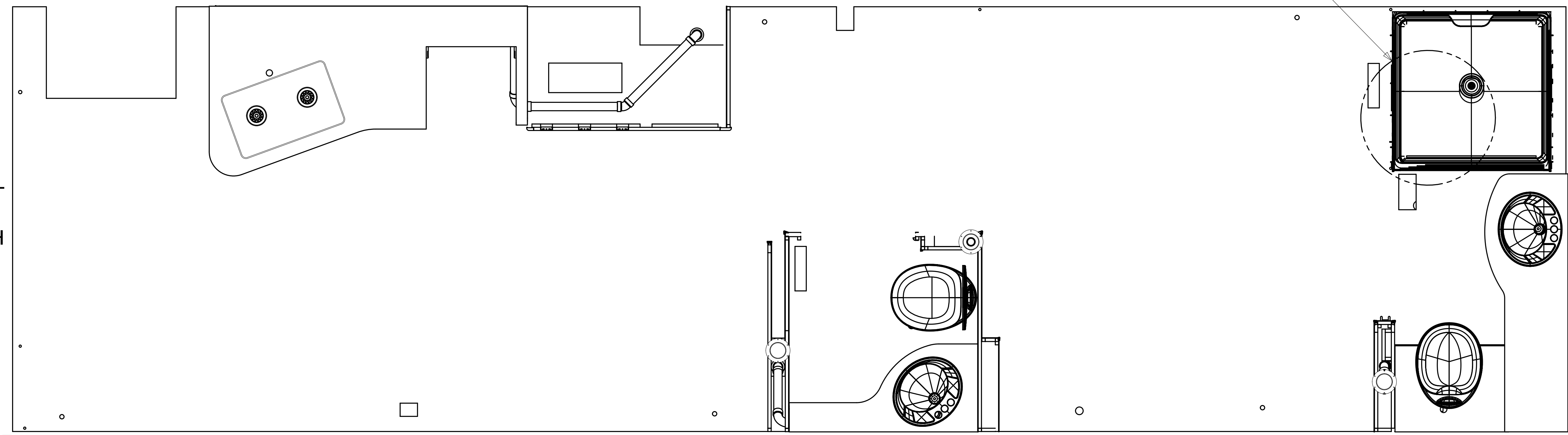


8 7 6 5 4 3 2 1



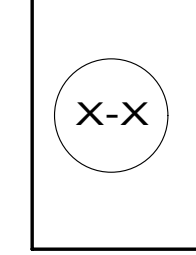
9. SEE DRAWING 061607 FOR INSTALLATION OF GROMMETS.
8. SECURE DRAINAGE PIPES TO CABINET USING WIRE TIE 108046-02-000, AND SCREW 000G67-10-12U AT INTERVALS OF NOT OF NOT MORE THAN 4 FEET APART.
7. SECURE VENT PIPE TO TANK WITH CLAMP 062401-02-000.
6. VENT PIPE MUST PROJECT 51 MIN AND 64 MAX ABOVE ROOF FOR PROPER FIT AND FUNCTION. ADD S-1 (116666-01-CHT SEAL-VENT PIPE) AROUND PIPE ON ROOF BEFORE VENT CAP IS INSTALLED.
5. SEAL AROUND SHOWER WITH SILICONE.
4. USE SMOOTH PLUMBERS PUTTY 167459-01-000 TO SEAL STRAINER (0.2 PER STRAINER).
3. ALL PIPE AND FITTINGS TO BE ASSEMBLED WITH SOLVENT 004020-01-000 (USA), 004020-02-000 (CAN)
2. SLOPE OF TRAP ARM MUST BE 6 PER 305 mm.
1. SLOPE OF HORIZONTAL PIPING TO BE MINIMUM OF 3 PER 305 mm.

NOTES:

265 CODES/STDS-CSA/CMVSS
 1B1 CODES/STANDARDS-USA

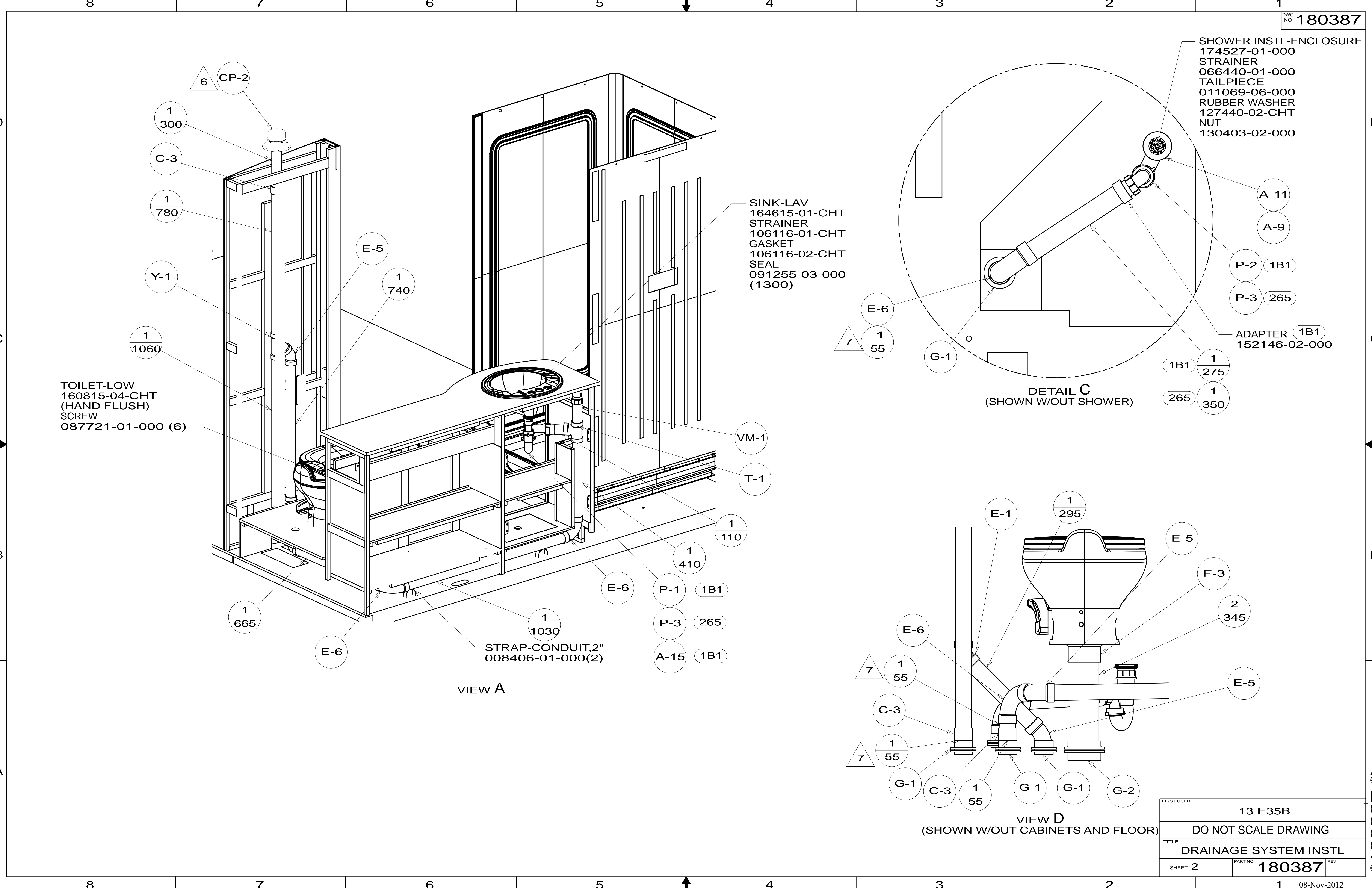
		COPYRIGHT 2012 WINNEBAGO INDUSTRIES, INC.
DFTR	ORIG. DATE	
CHKR	ALL DIMENSIONS ARE IN MILLIMETERS	
P.E.		
M.E.	FIRST USED	
DSNR	13 E35B	
UNSPECIFIED TOLERANCES ARE:		MATERIAL:
WHOLE DIM (X)	: 3	
ONE-PLACE (X.X)	:	
TWO-PLACE (X.XX)	:	
ANGLE	:	
THIRD ANGLE PROJECTION		
DO NOT SCALE DRAWING		REFER TO ES0018 FOR FASTENER TIGHTENING GUIDELINES
TITLE: DRAINAGE SYSTEM INSTL		
SHEET 1 OF 4	PART NO	180387
REF:	1	08-Nov-2012

FOR
DRAINAGE
CALLOUTS
SEE DWG NO
116229-01-000



8 7 6 5 4 3 2 1

* 180387 * A



TOILET-LOW
160815-04-CHT
(HAND FLUSH)
SCREW
087721-01-000 (6)

SINK-LAV
164615-01-CHT
STRAINER
106116-01-CHT
GASKET
106116-02-CHT
SEAL
091255-03-000
(1300)

SHOWER INSTL-ENCLOSURE
174527-01-000
STRAINER
066440-01-000
TAILPIECE
011069-06-000
RUBBER WASHER
127440-02-CHT
NUT
130403-02-000

DETAIL C
(SHOWN W/OUT SHOWER)

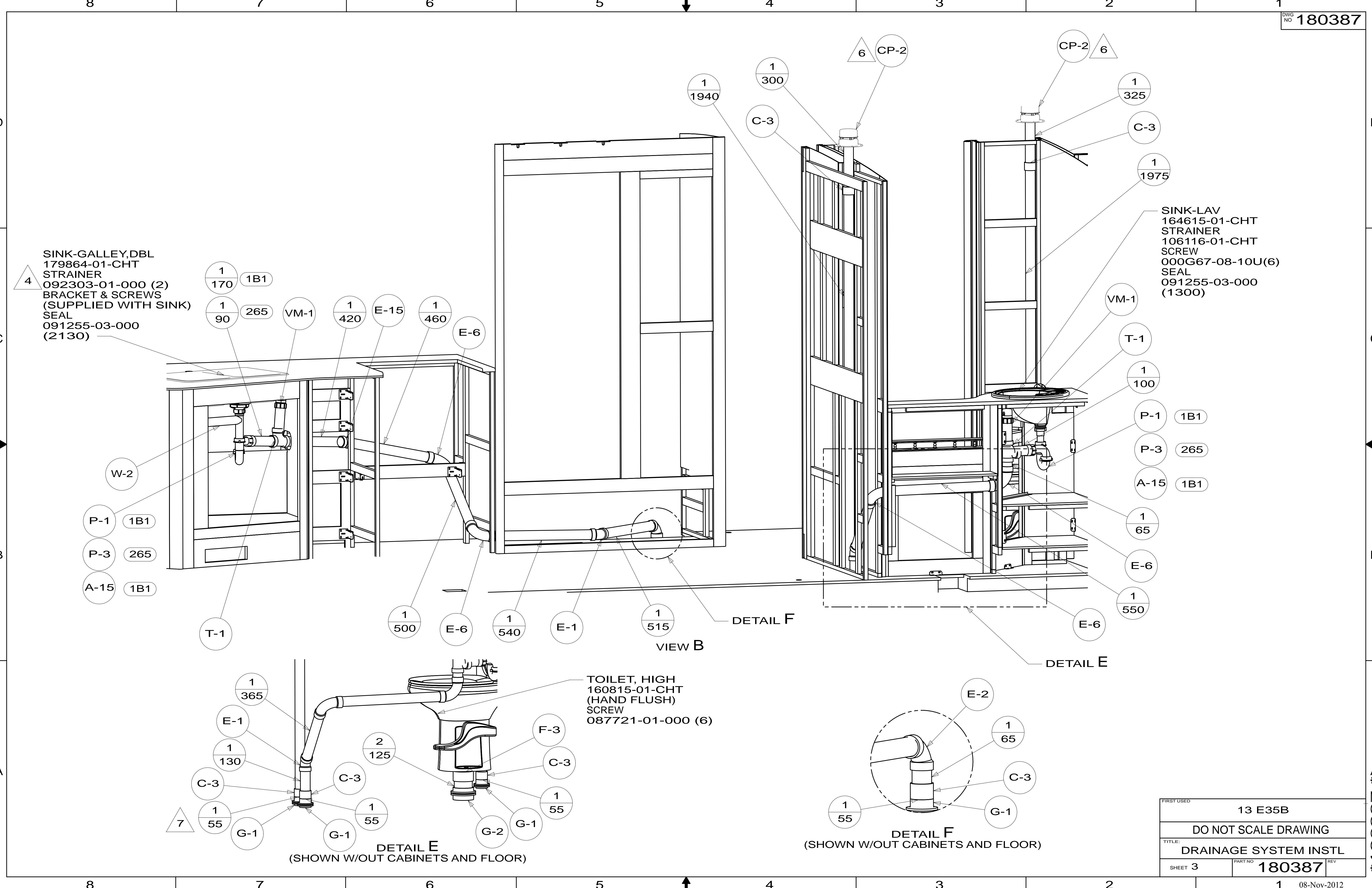
VIEW A

VIEW D
(SHOWN W/OUT CABINETS AND FLOOR)

- P-1 1B1
- P-3 265
- A-15 1B1

FIRST USED	13 E35B	
TITLE:	DO NOT SCALE DRAWING	
SHEET 2	PART NO	180387
	REV	
08-Nov-2012		

* 180387 * A



SINK-GALLEY, DBL
179864-01-CHT
STRAINER
092303-01-000 (2)
BRACKET & SCREWS
(SUPPLIED WITH SINK)
SEAL
091255-03-000
(2130)

SINK-LAV
164615-01-CHT
STRAINER
106116-01-CHT
SCREW
000G67-08-10U(6)
SEAL
091255-03-000
(1300)

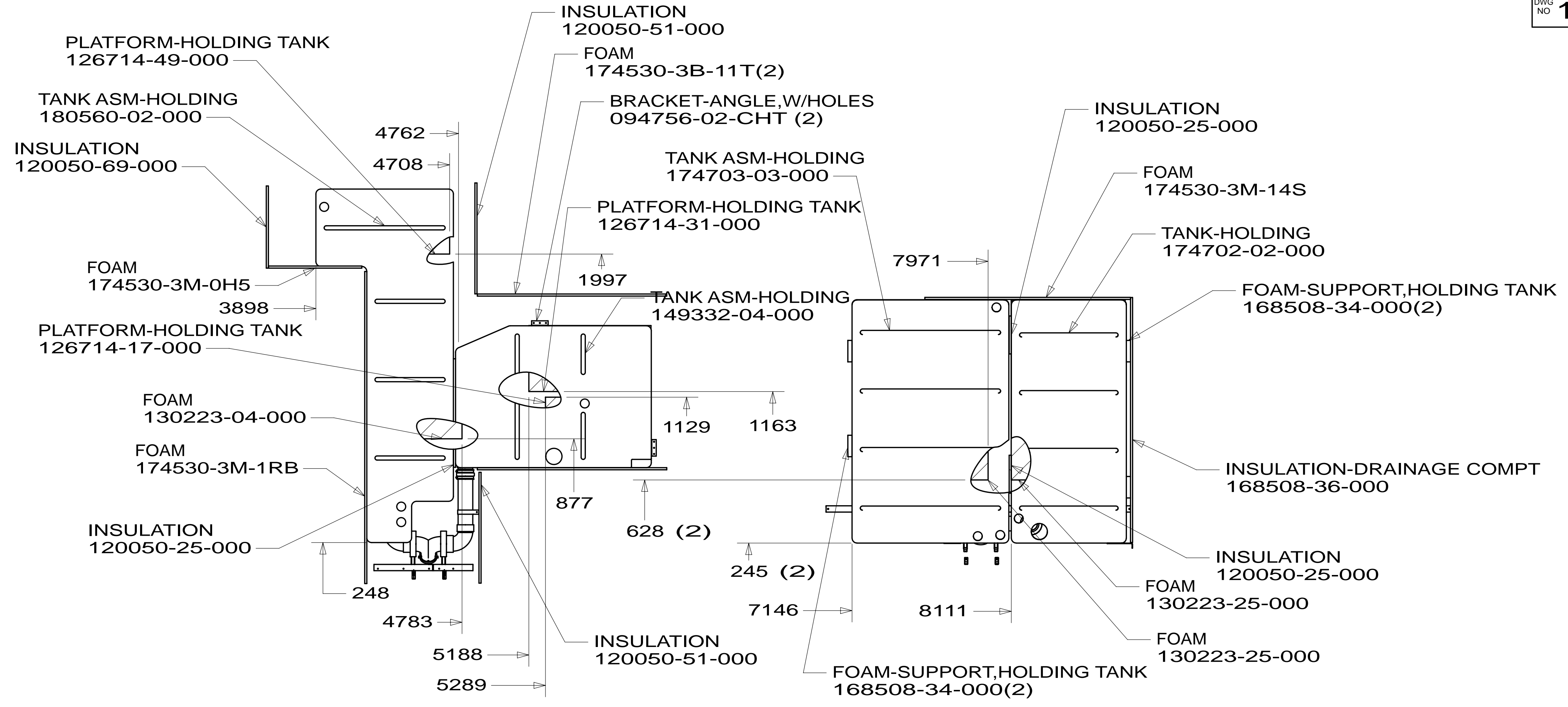
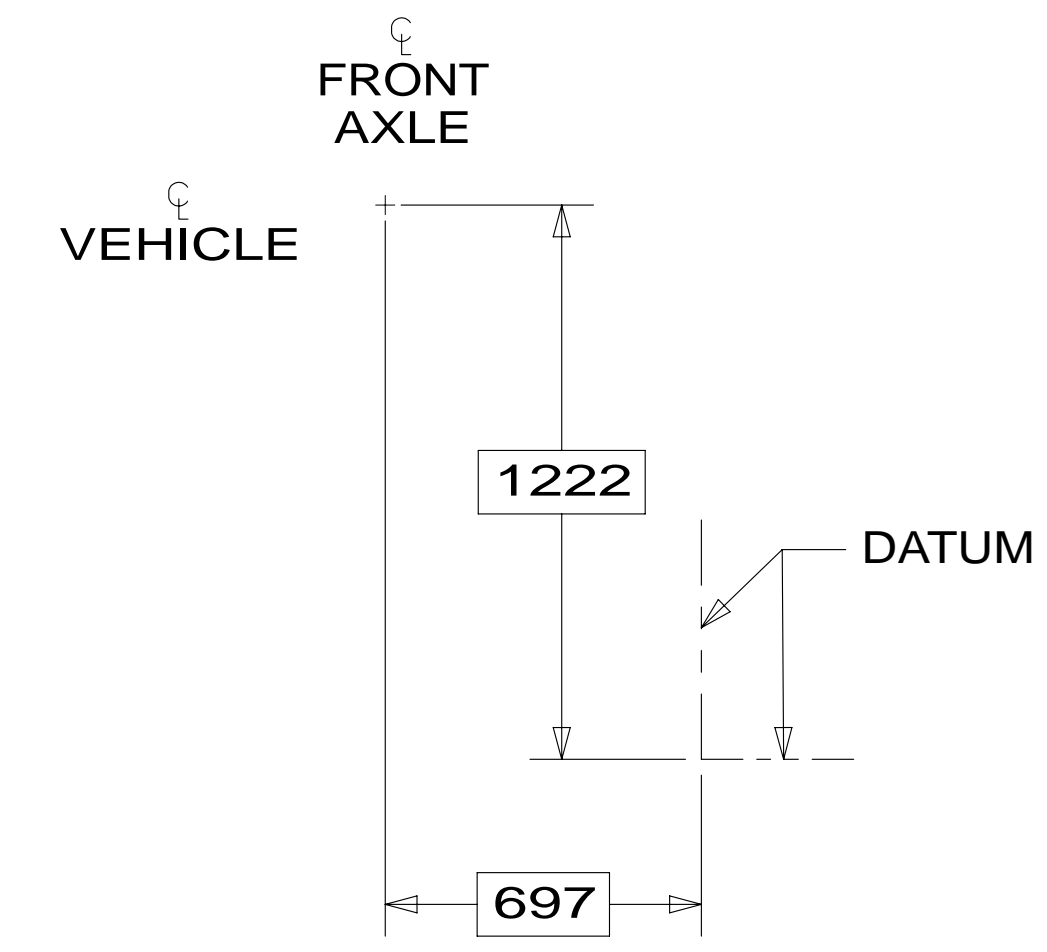
TOILET, HIGH
160815-01-CHT
(HAND FLUSH)
SCREW
087721-01-000 (6)

DETAIL E
(SHOWN W/OUT CABINETS AND FLOOR)

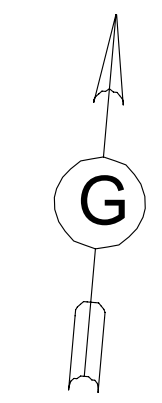
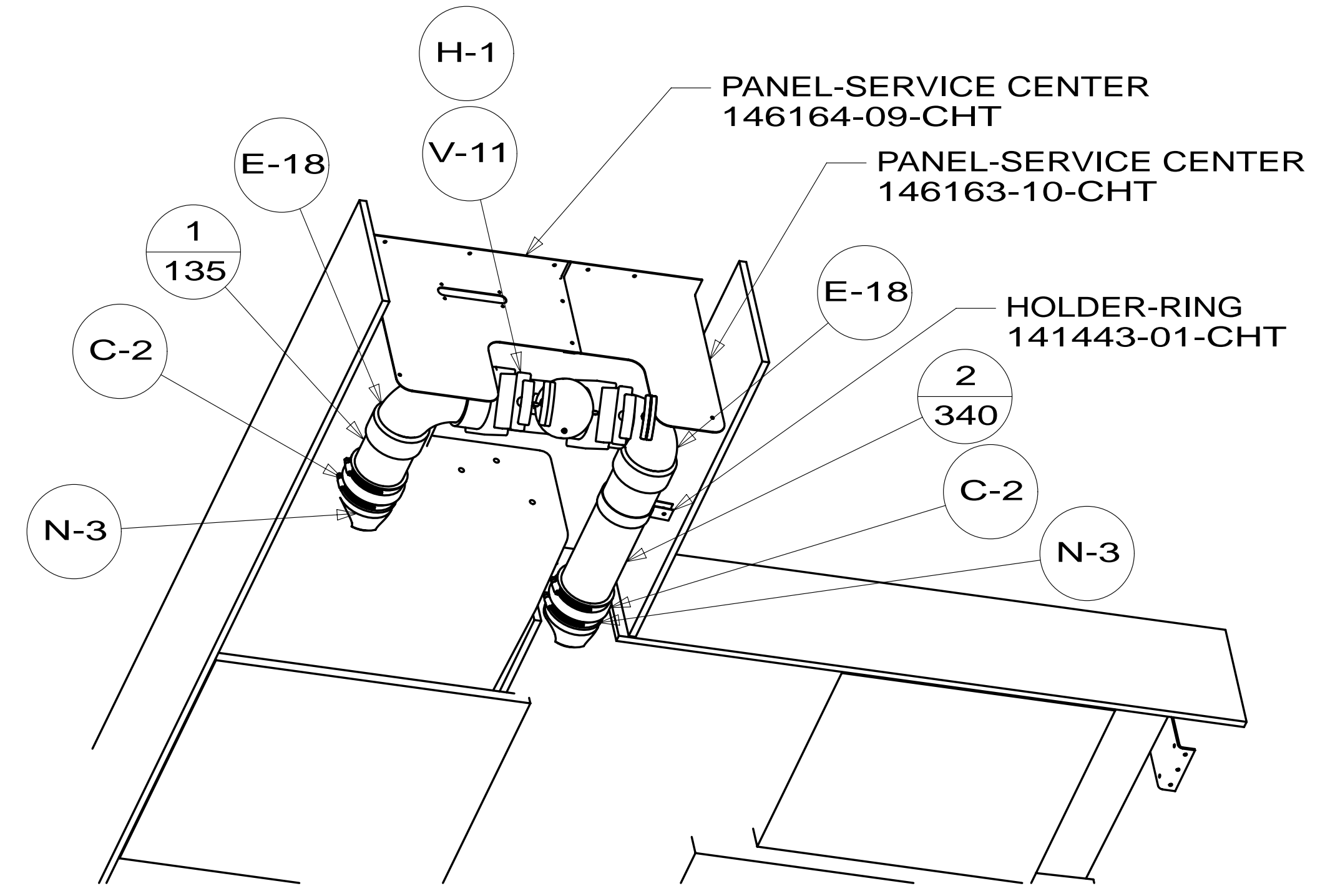
DETAIL F
(SHOWN W/OUT CABINETS AND FLOOR)

FIRST USED	13 E35B	
DO NOT SCALE DRAWING		
TITLE: DRAINAGE SYSTEM INSTL		
SHEET 3	PART NO 180387	REV
		08-Nov-2012

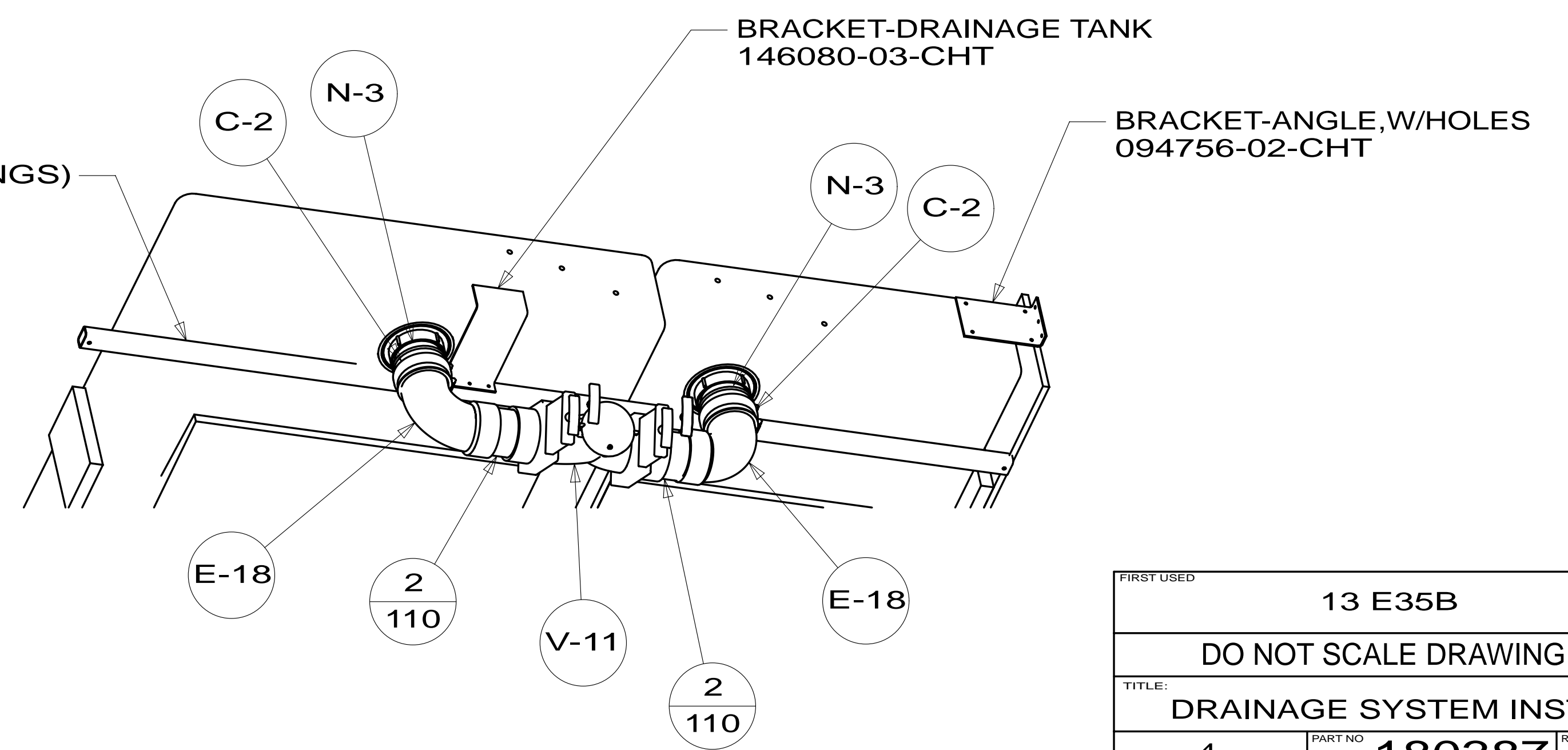
* 180387 * A



TOP VIEW SHOWING TANKS AND DRAINS

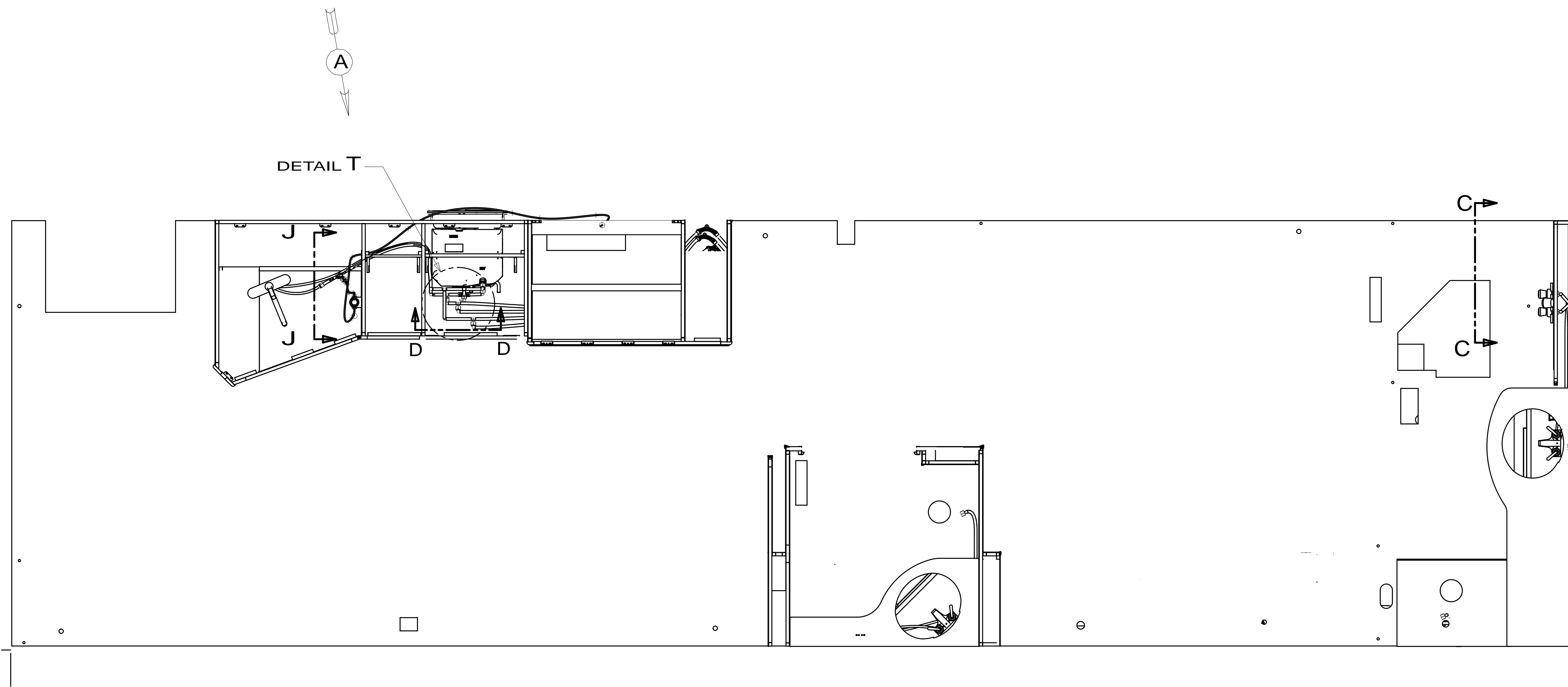


VIEW G



FIRST USED	13 E35B	
DO NOT SCALE DRAWING		
TITLE: DRAINAGE SYSTEM INSTL		
SHEET 4	PART NO 180387	REV
08-Nov-2012		

* 180387 * A



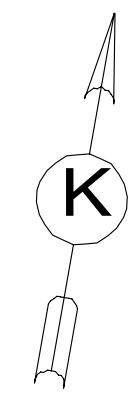
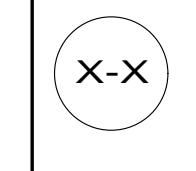
9. FLUSHING SYSTEM REQUIRES 125697-06-000 INSTRUCTION SHEET.
8. ALL CRIMP FITTINGS TO PEX TUBING REQUIRE 1/2" CLAMP 140171-03-000.
7. ALL CRIMP FITTINGS TO PEX TUBING REQUIRE 5/8" CLAMP 140171-04-000.
- 6 LABEL HOT AND COLD SUPPLY TUBES AND TAPE FITTING TO TUBE BEFORE CABINET SET TO PREVENT MOVEMENT.
- 5 ADD PIPE WRAP (LADDER SCRAP 110157-02-000) INSULATION.
- 4 ADD TEFLON TAPE 010405-02-000.
3. ALL TUBING TO BE SECURED AT 1200 INTERVALS MAXIMUM WITH CLAMP 010495-01-000 AND SCREW 000G67-10-12U OR EQUIVALENT.
2. TUBING TO BE INSTALLED WITH SUFFICIENT SLOPE TO PROVIDE DRAINAGE TO NEAREST VALVE.
1. PLASTIC FITTINGS TO BE SEALED WITH SEALANT 084456-01-000.

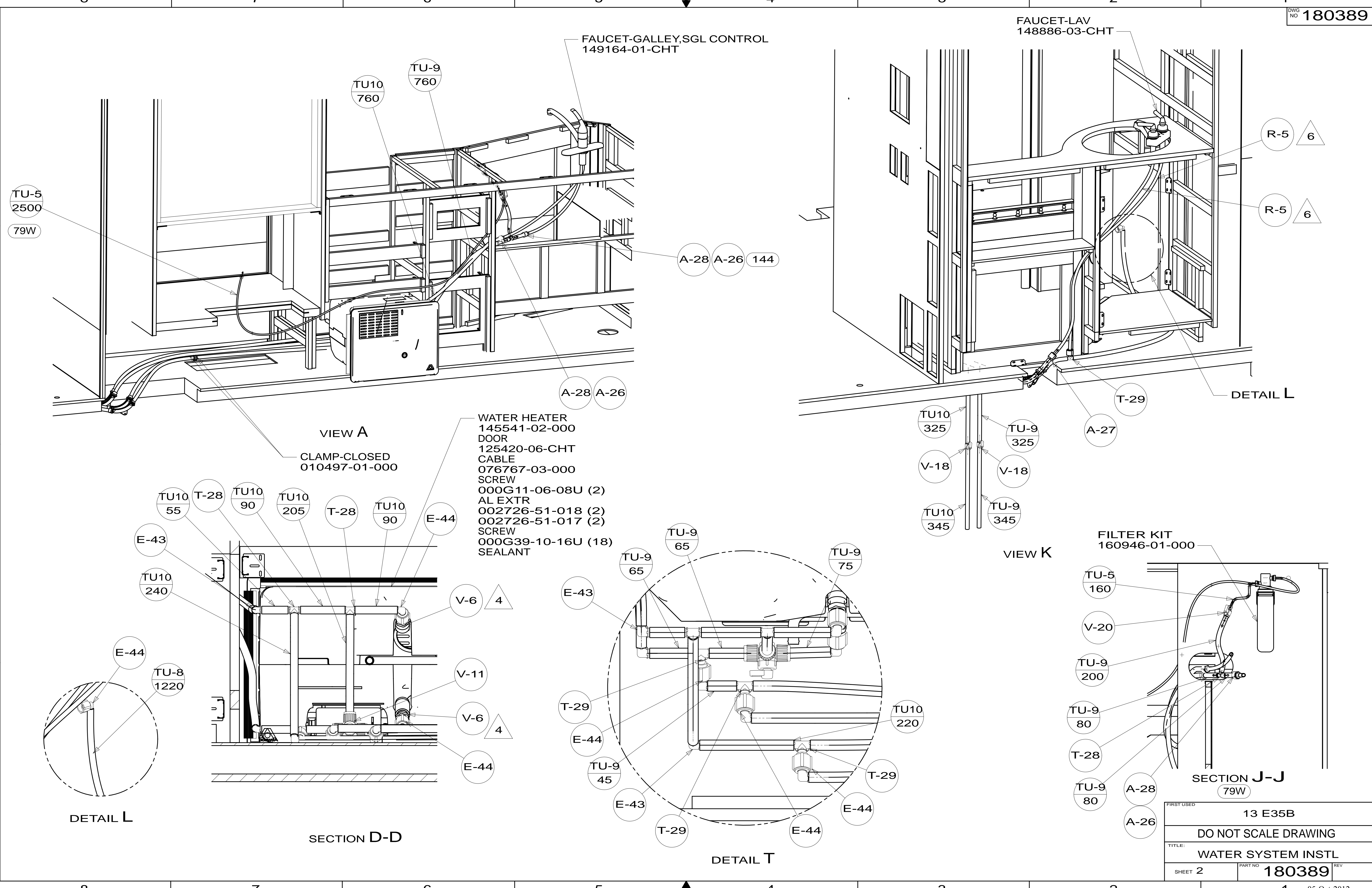
NOTES:

79W REFRIGERATOR-4 DOOR
 144 REFRIGERATOR-DOUBLE DOOR

		COPYRIGHT 2012 WINNEBAGO INDUSTRIES, INC.	
DFTR	ORIG. DATE	ALL DIMENSIONS ARE IN MILLIMETERS	
CHKR			
P.E.			
M.E.	FIRST USED		
DSNR		MATERIAL: 13 E35B	
UNSPECIFIED TOLERANCES ARE: WHOLE DIM (X) : 3 ONE-PLACE (X.X) : 1.5 TWO-PLACE (X.XX) : 0.50 ANGLE : 1°			
THIRD ANGLE PROJECTION			
DO NOT SCALE DRAWING		REFER TO ES0018 FOR FASTENER TIGHTENING GUIDELINES	
TITLE: WATER SYSTEM INSTL			
SHEET 1 OF 5		PART NO	180389
REF:		1	05-Oct-2012

FOR
 WATER
 CALLOUTS
 SEE DWG NO
 116230-01-000





FIRST USED	13 E35B	
DO NOT SCALE DRAWING		
TITLE: WATER SYSTEM INSTL		
SHEET 2	PART NO	180389
		REV
		05-Oct-2012

FAUCET-LAV
148886-03-CHT

E-44 4

E-44 4

TU10
2000

TU-9
2000

R-5 6

R-5 6

TO TOILET

E-44

TU-8
1000

CLAMP-CLOSED
010497-01-000

TU10
2385

TU-9
2230

VIEW B

DETAIL E

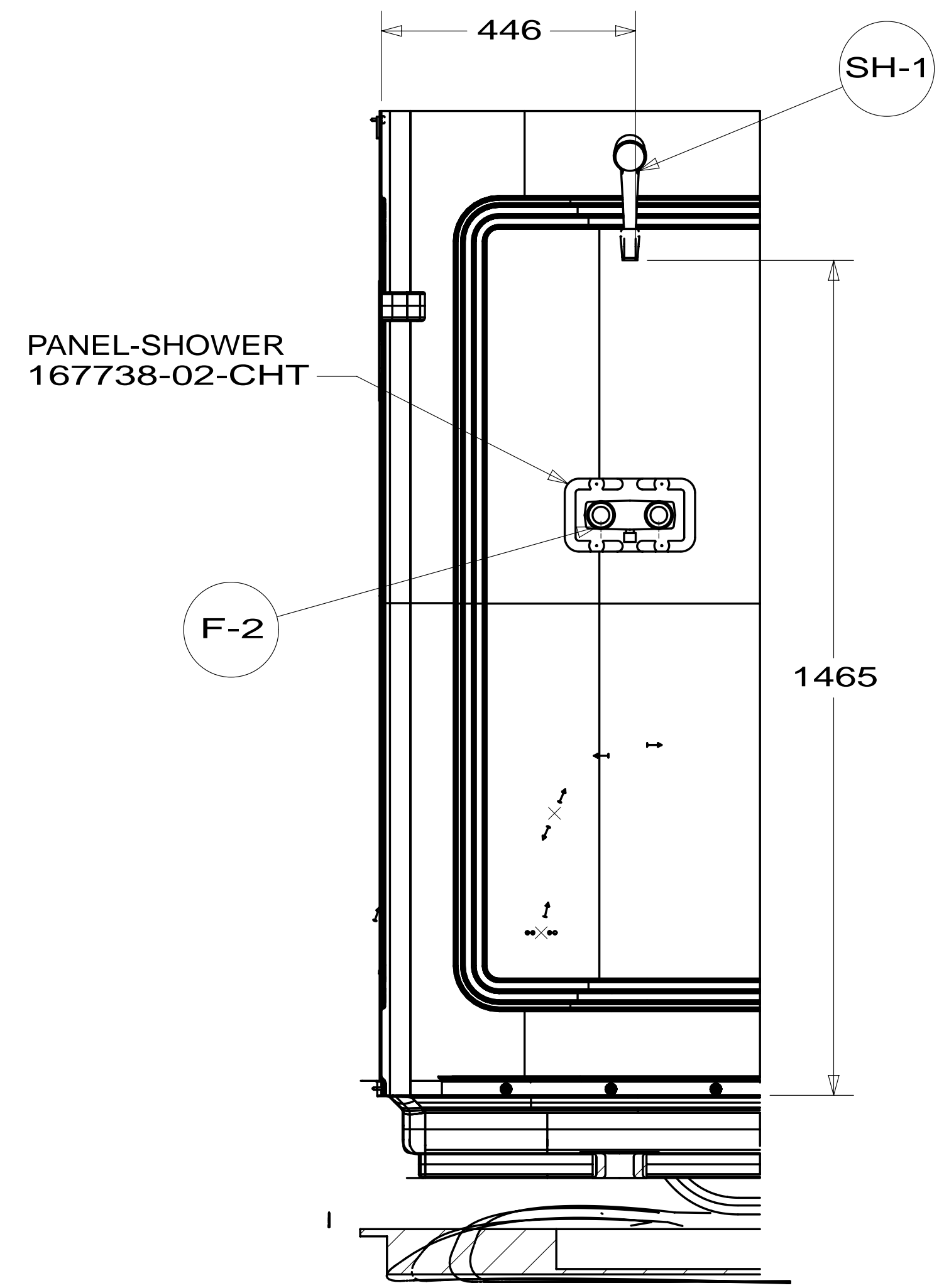
E-46

TU10
40

TU-9
40

T-28

DETAIL E



SECTION C-C

FIRST USED	13 E35B		
TITLE:	DO NOT SCALE DRAWING		
TITLE:	WATER SYSTEM INSTL		
SHEET 3	PART NO	180389	REV
	1		05-Oct-2012

TANK ASM-WATER,93 GAL
180557-02-000

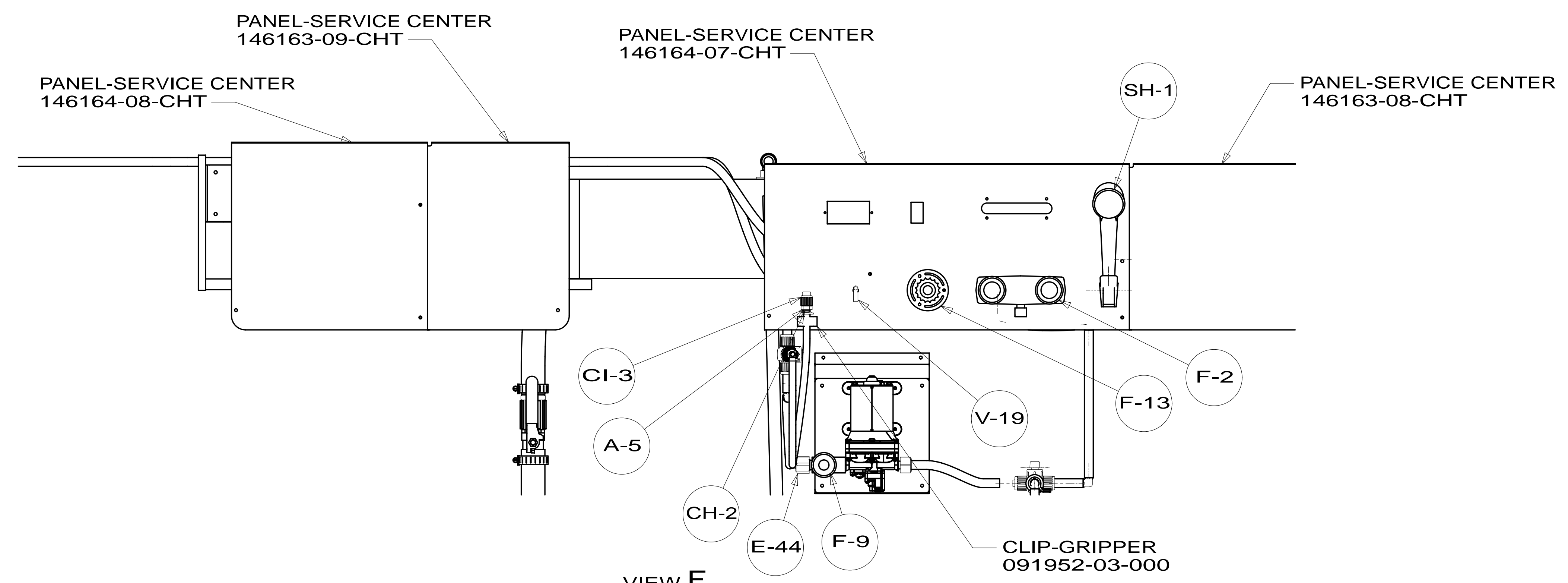
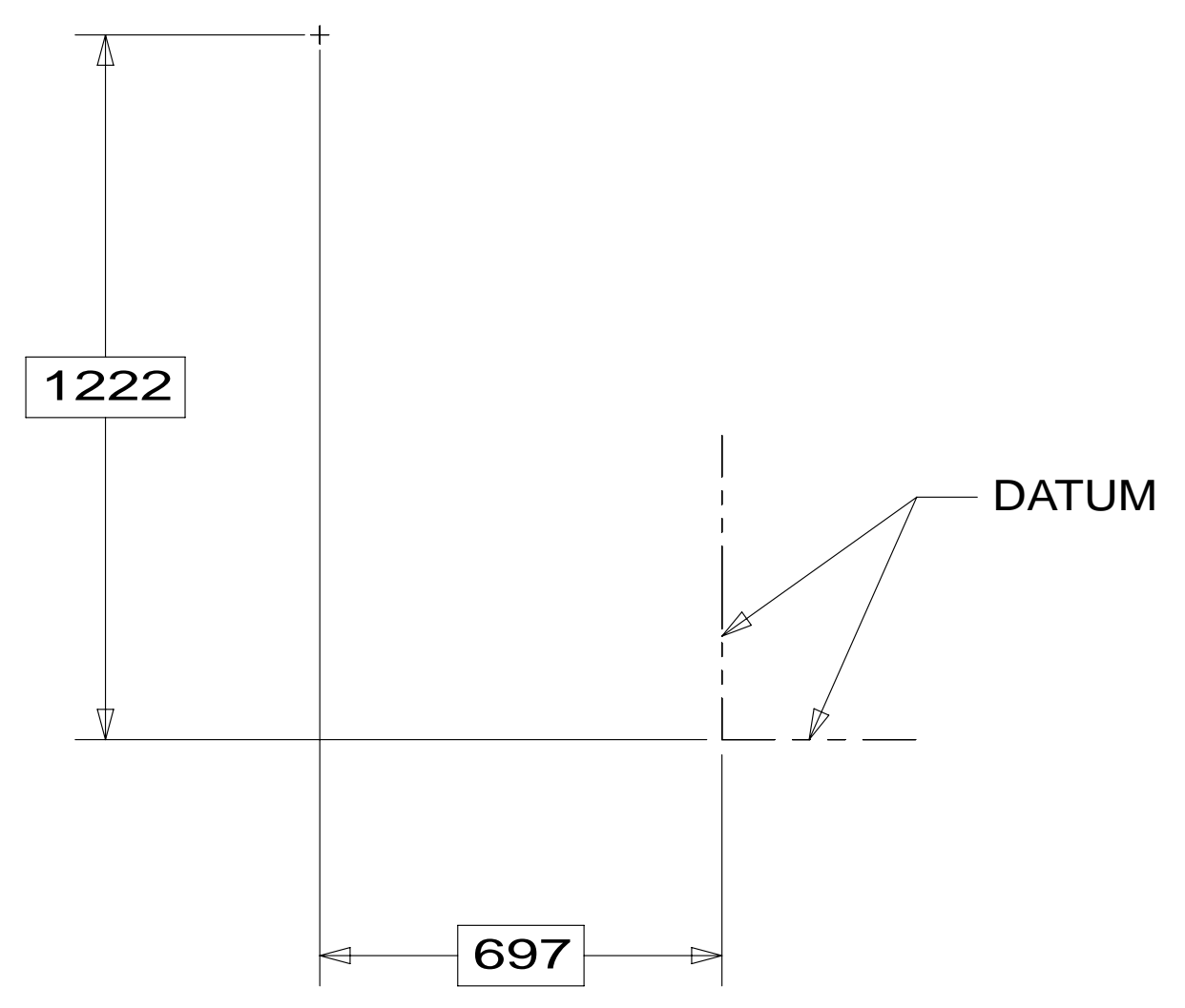
BRACKET-ANGLE,W/HOLES
094756-02-CHT

INSULATION
120050-51-000 (2)

STL-TUBE
123963-34-CHT

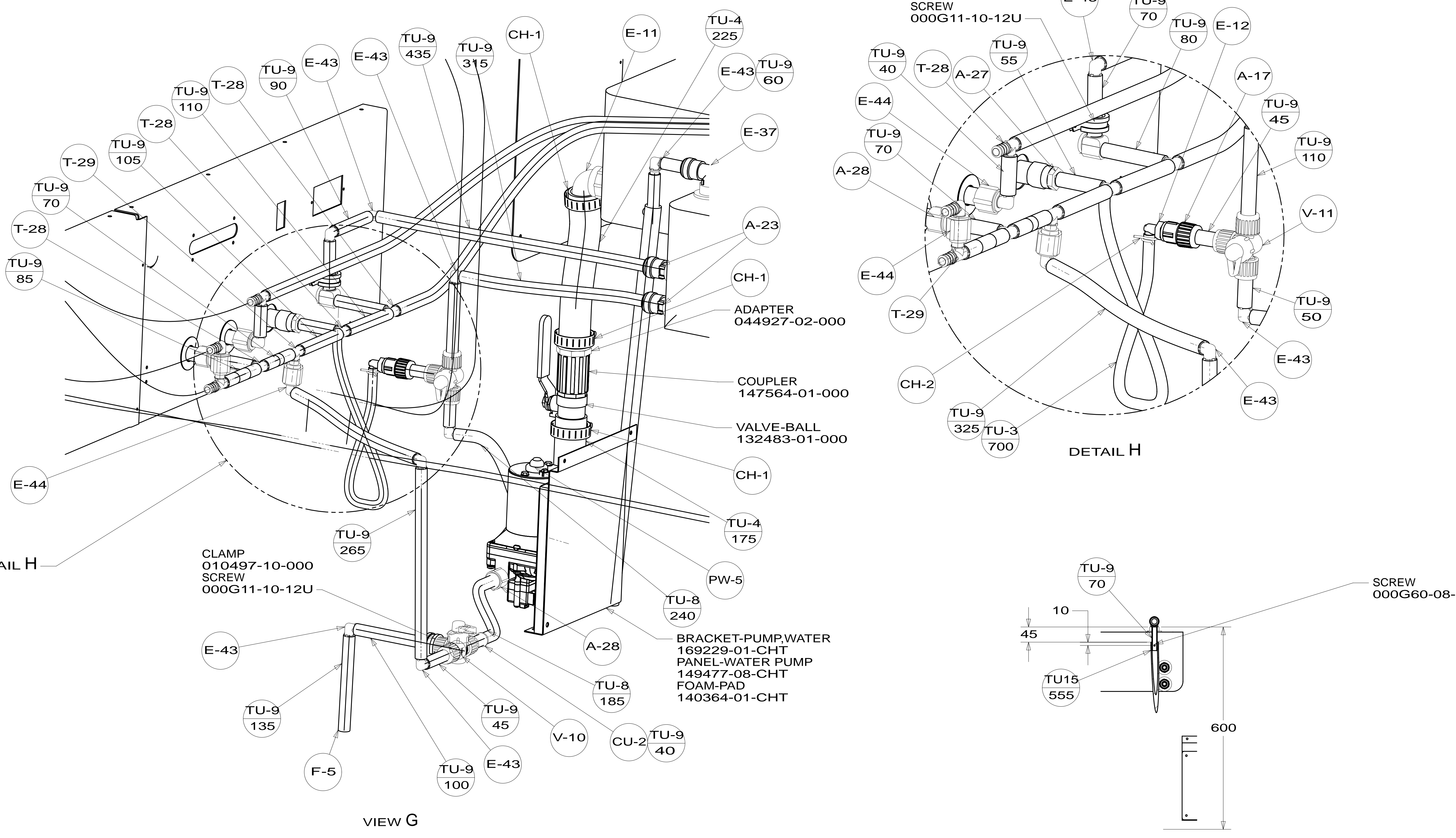
BRACKET-ANGLE,W/HOLES
094756-02-CHT

SHOWING ONLY TANKS AND DRAINS



VIEW F

FIRST USED	13 E35B	
TITLE:	DO NOT SCALE DRAWING	
	WATER SYSTEM INSTL	
SHEET 4	PART NO 180389	REV



DETAIL H
 CLAMP
 010497-10-000
 SCREW
 000G11-10-12U

BRACKET-PUMP, WATER
 169229-01-CHT
 PANEL-WATER PUMP
 149477-08-CHT
 FOAM-PAD
 140364-01-CHT

CLAMP
 010497-10-000
 SCREW
 000G11-10-12U

DETAIL H

SECTION R-R

FIRST USED	13 E35B		
TITLE:	DO NOT SCALE DRAWING		
TITLE:	WATER SYSTEM INSTL		
SHEET 5	PART NO	180389	REV