

- 9. SEE DRAWING 061607 FOR INSTALLATION OF GROMMETS.
- 8. SECURE DRAINAGE PIPES TO CABINET USING WIRE TIE 108046-02-000, AND SCREW 000G67-10-12U AT INTERVALS OF NOT OF NOT MORE THAN 4 FEET APART.
- 7. SECURE VENT PIPE TO FLOOR WITH CLAMP 062401-02-000 (2), SCREW 000G67-10-12U (2), BRACKET 136878-01-CHT (2).
- 6. VENT PIPE MUST PROJECT 51 MIN AND 64 MAX ABOVE ROOF FOR PROPER FIT AND FUNCTION. ADD S-1 (116666-01-CHT SEAL-VENT PIPE) AROUND PIPE ON ROOF BEFORE VENT CAP IS INSTALLED.
- 5. SEAL AROUND SHOWER WITH SILICONE.
- 4. USE SMOOTH PLUMBERS PUTTY 167459-01-000 TO SEAL STRAINER (0.2 PER STRAINER).
- 3. ALL PIPE AND FITTINGS TO BE ASSEMBLED WITH SOLVENT 004020-01-000 (USA), 004020-02-000 (CAN)
- 2. SLOPE OF TRAP ARM MUST BE 6 PER 305 mm.
- 1. SLOPE OF HORIZONTAL PIPING TO BE MINIMUM OF 3 PER 305 mm.

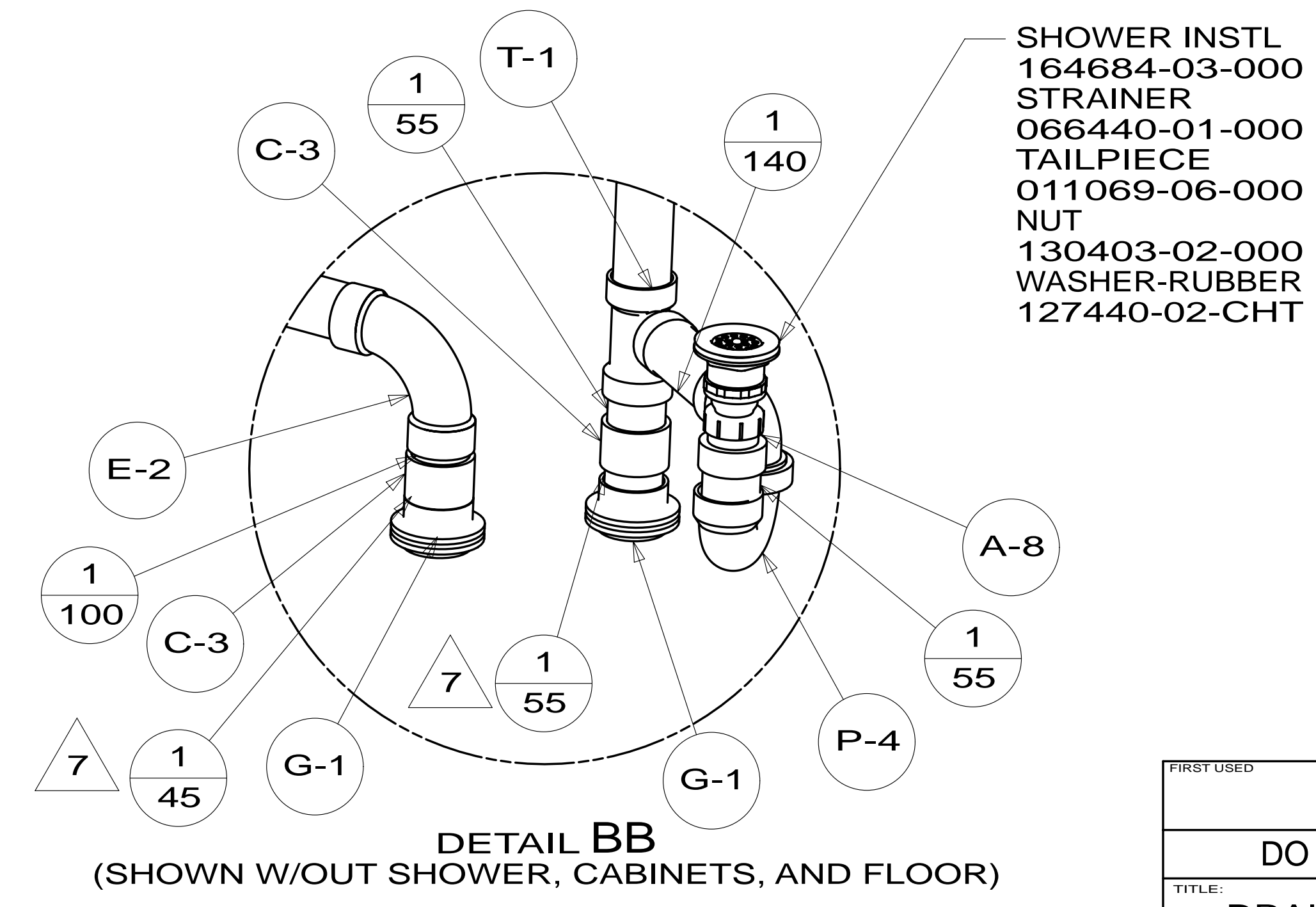
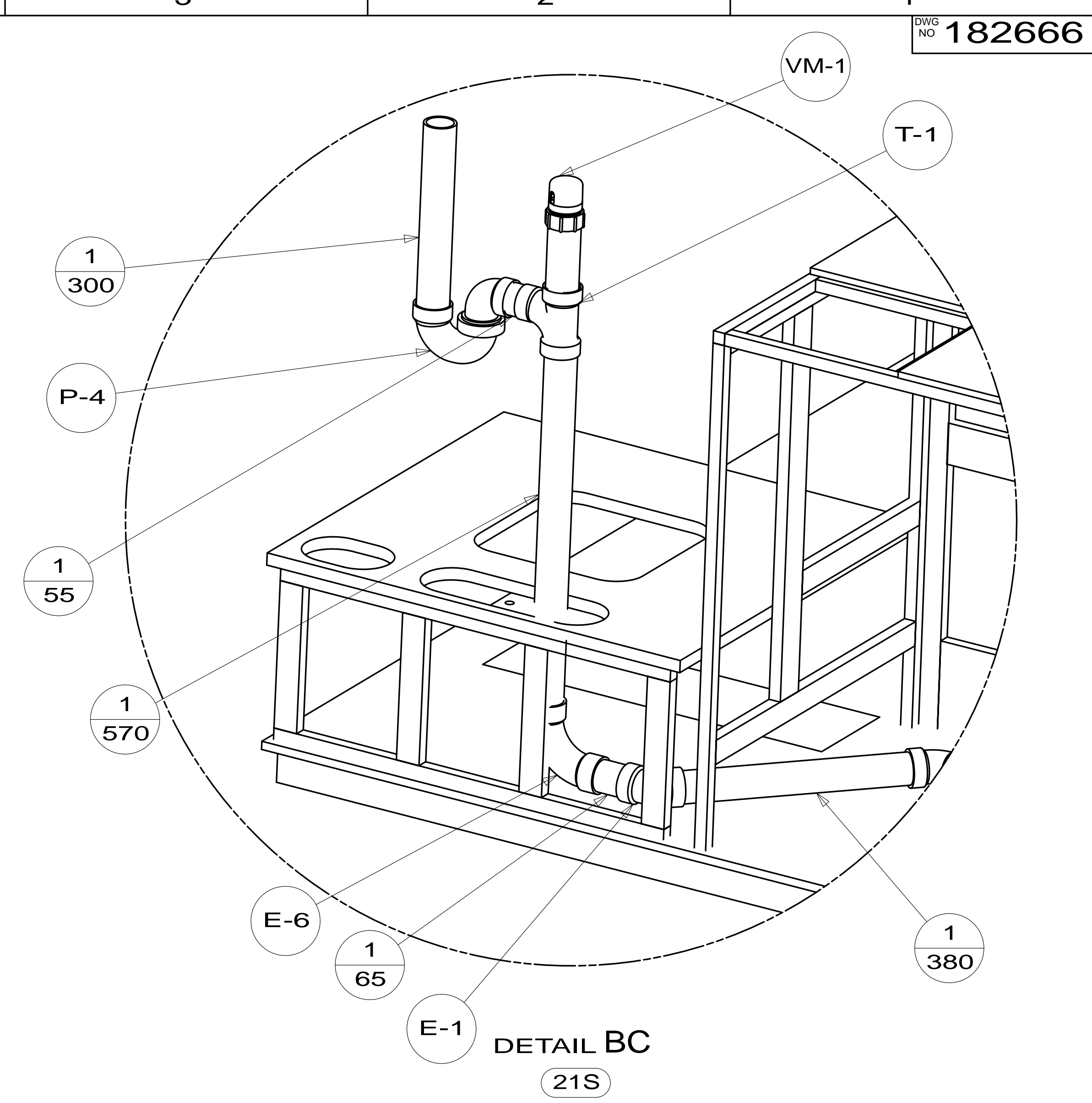
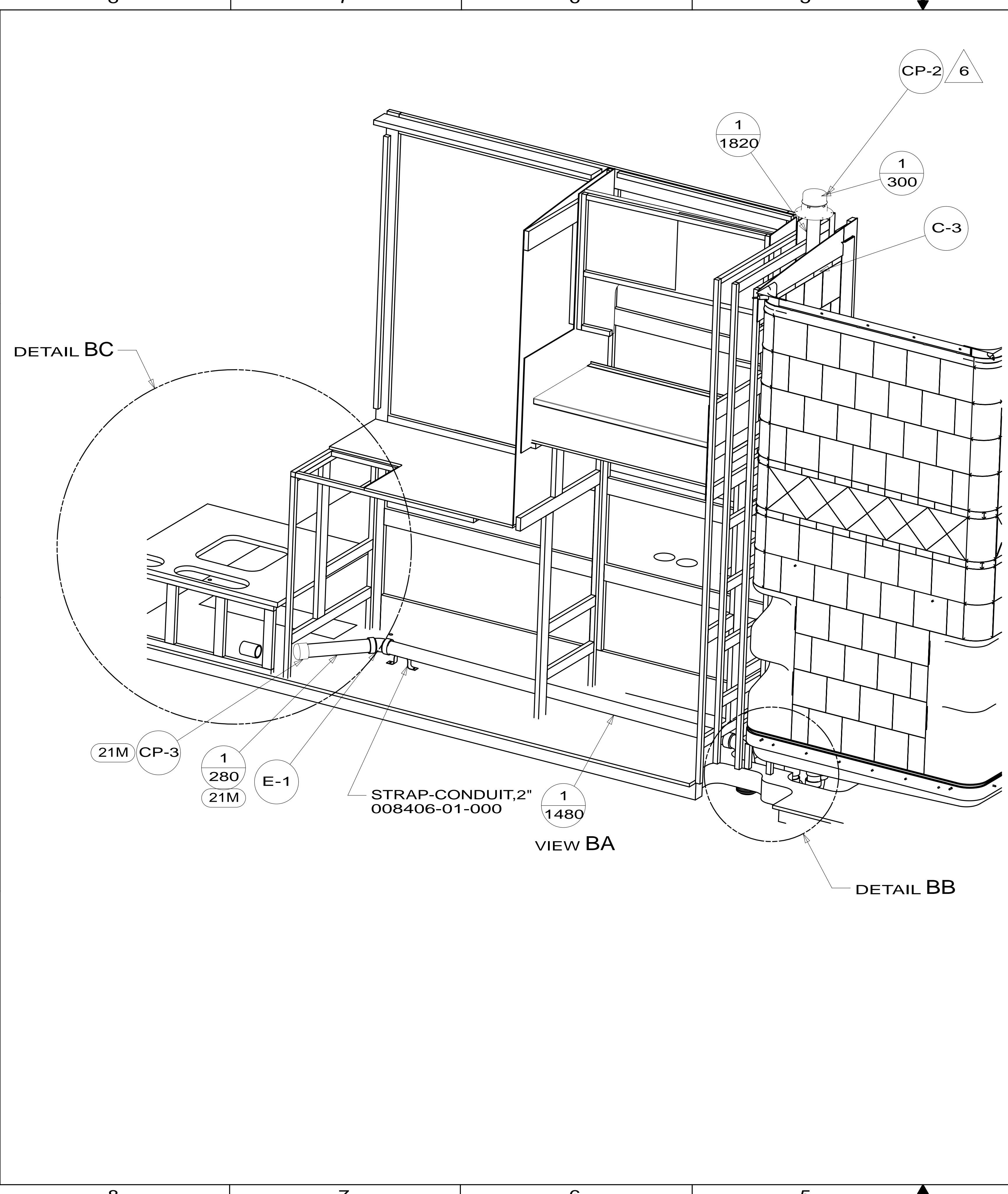
- 21S WASHER & DRYER-PAIR
- 21M WASHER/DRYER PREP
- 1B1 CODES/STANDARDS-USA
- 265 CODES/STANDARDS-CSA/CMVSS

NOTES:

FOR DRAINAGE CALLOUTS SEE DWG NO 116229-01-000

<b>WINNEBAGO</b>		COPYRIGHT 2013 WINNEBAGO INDUSTRIES, INC.	
DFT-ORIG	ORIG. DATE	ALL DIMENSIONS ARE IN MILLIMETERS	
CHKR			
P.E.			
M.E.	FIRST USED		
DSNR		13 D35G	
UNSPECIFIED TOLERANCES ARE:		MATERIAL:	
WHOLE DIM (X)	: 3		
ONE-PLACE (X.X)	: 1.5		
TWO-PLACE (X.XX)	: 0.50		
ANGLE	: 1°		
THIRD ANGLE PROJECTION			
DO NOT SCALE DRAWING		REFER TO ES0018 FOR FASTENER TIGHTENING GUIDELINES	
TITLE: DRAINAGE SYSTEM INSTL			
SHEET 1 OF 4	PART NO	182666	REV
REF:	1	10-May-2013	

\* 182666 \*



FIRST USED	13 D35G	
DO NOT SCALE DRAWING		
TITLE: DRAINAGE SYSTEM INSTL		
SHEET 2	PART NO 182666	REV
		10-May-2013

\* 182666

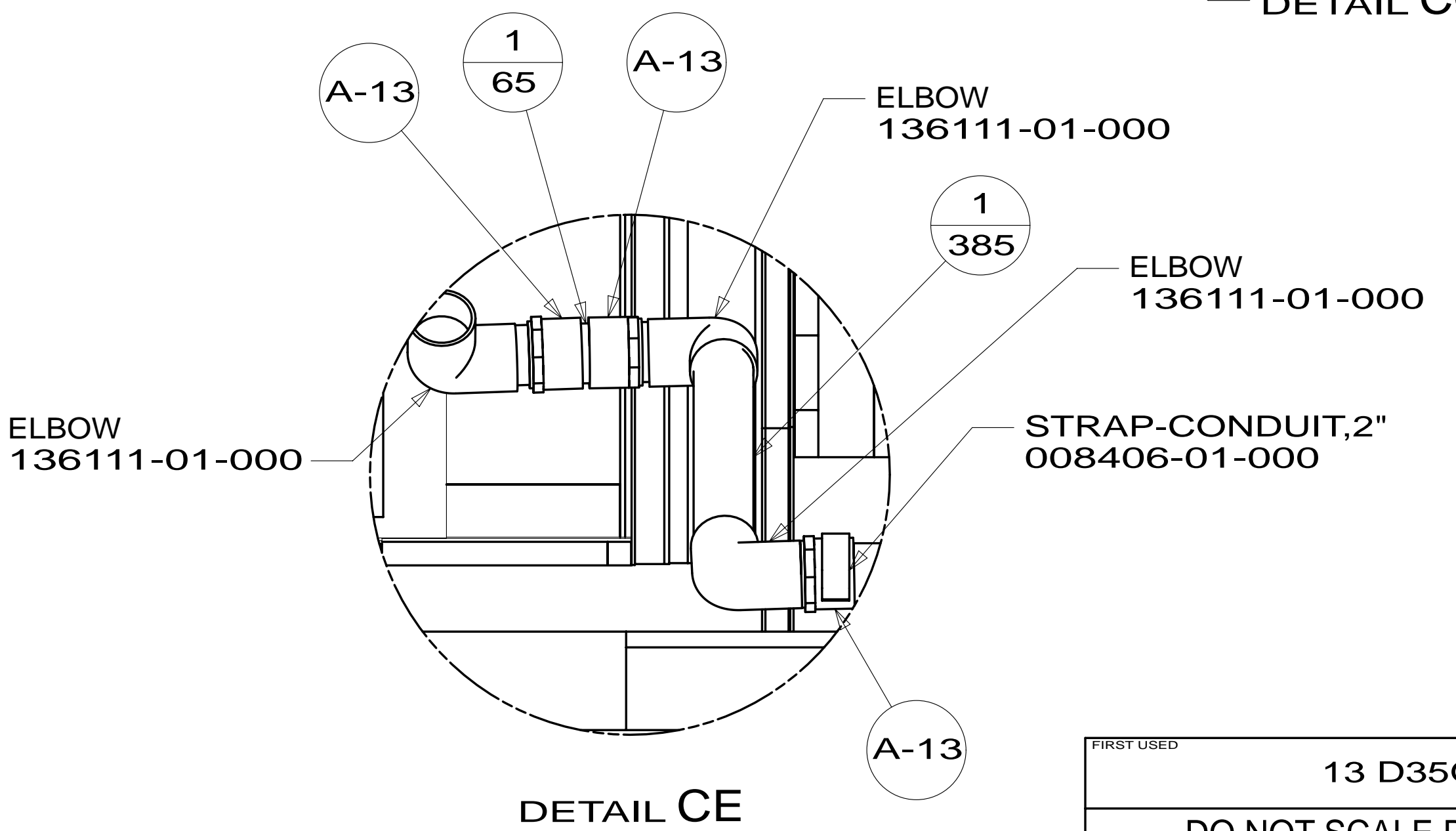
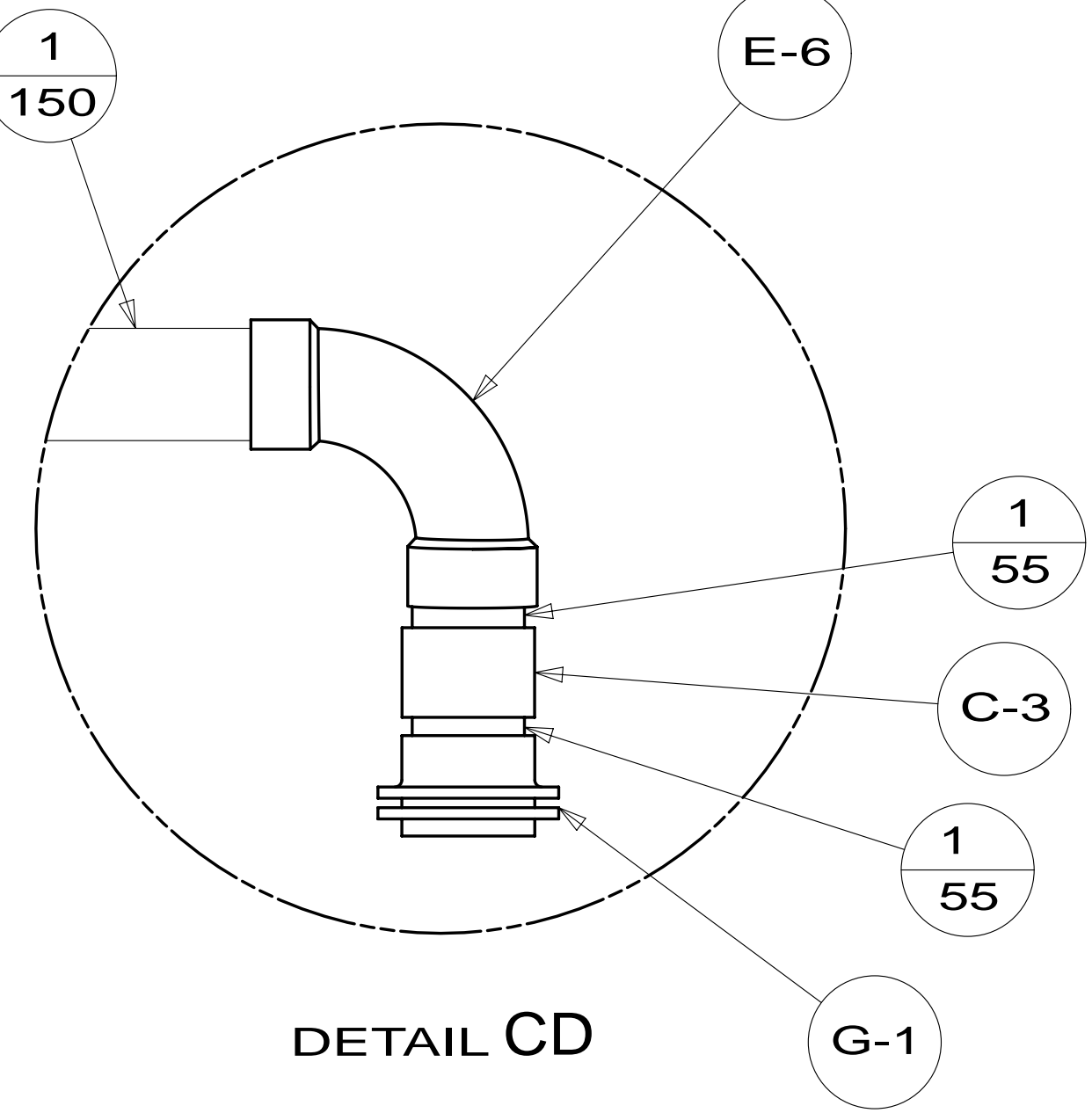
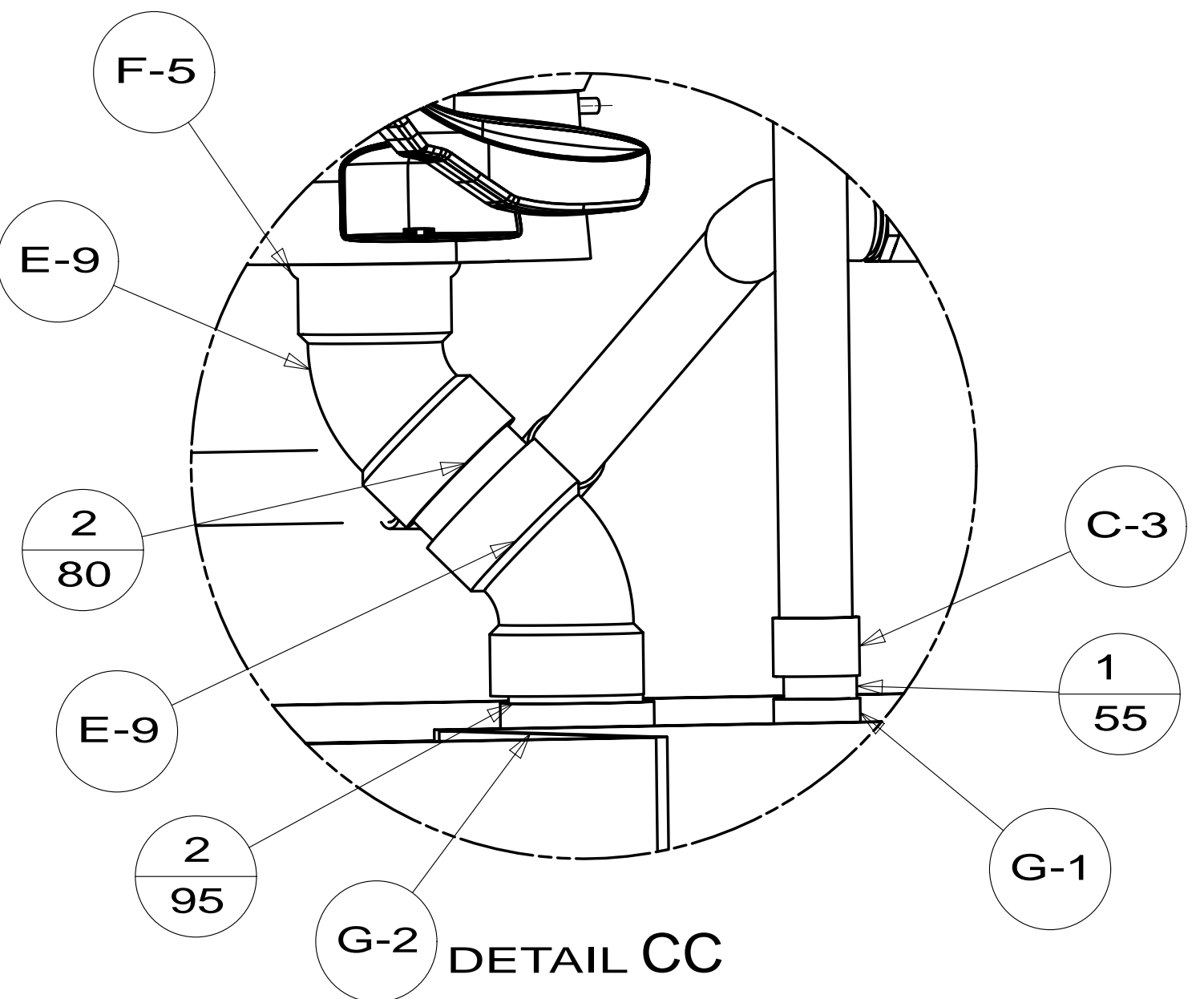
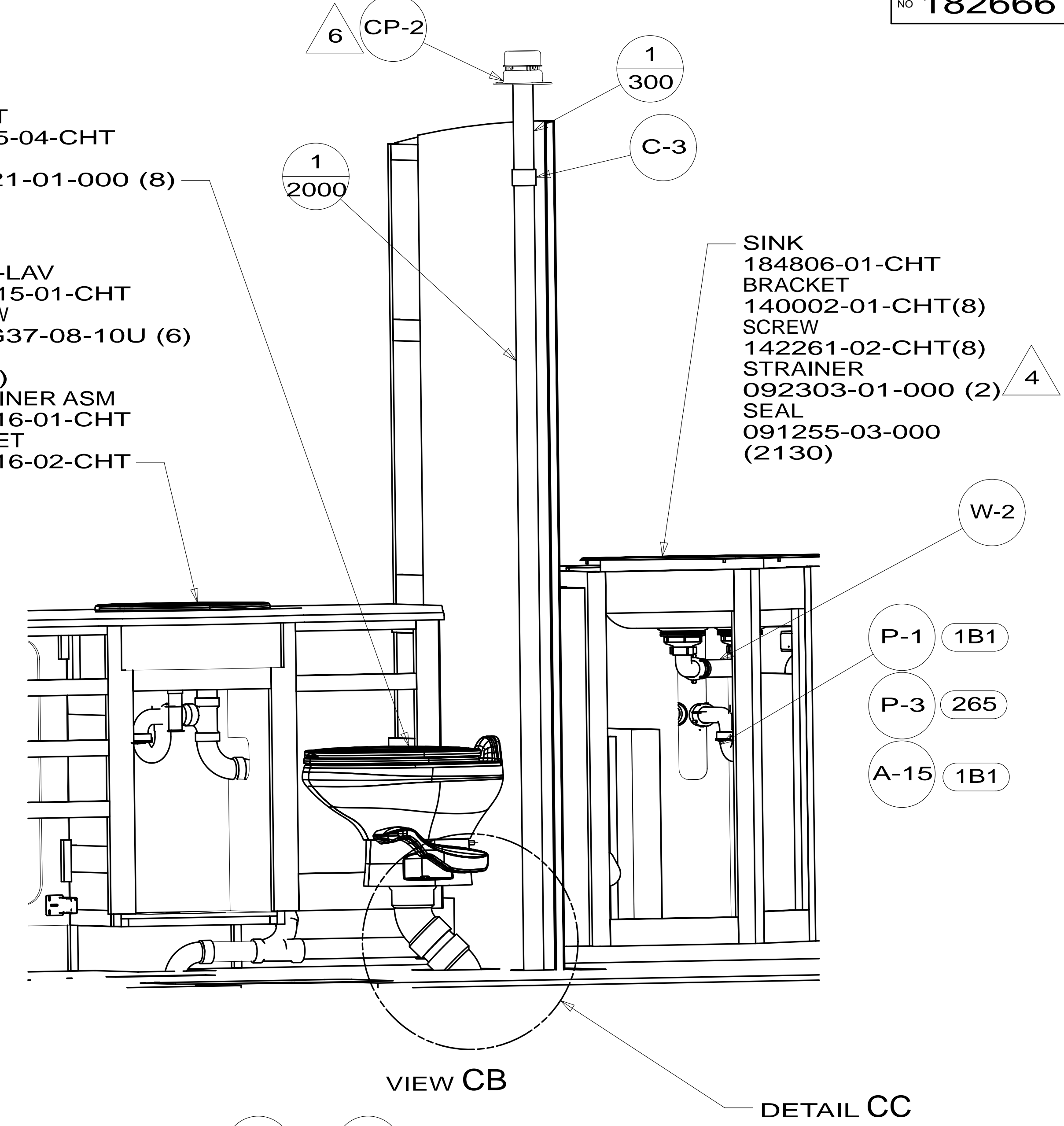
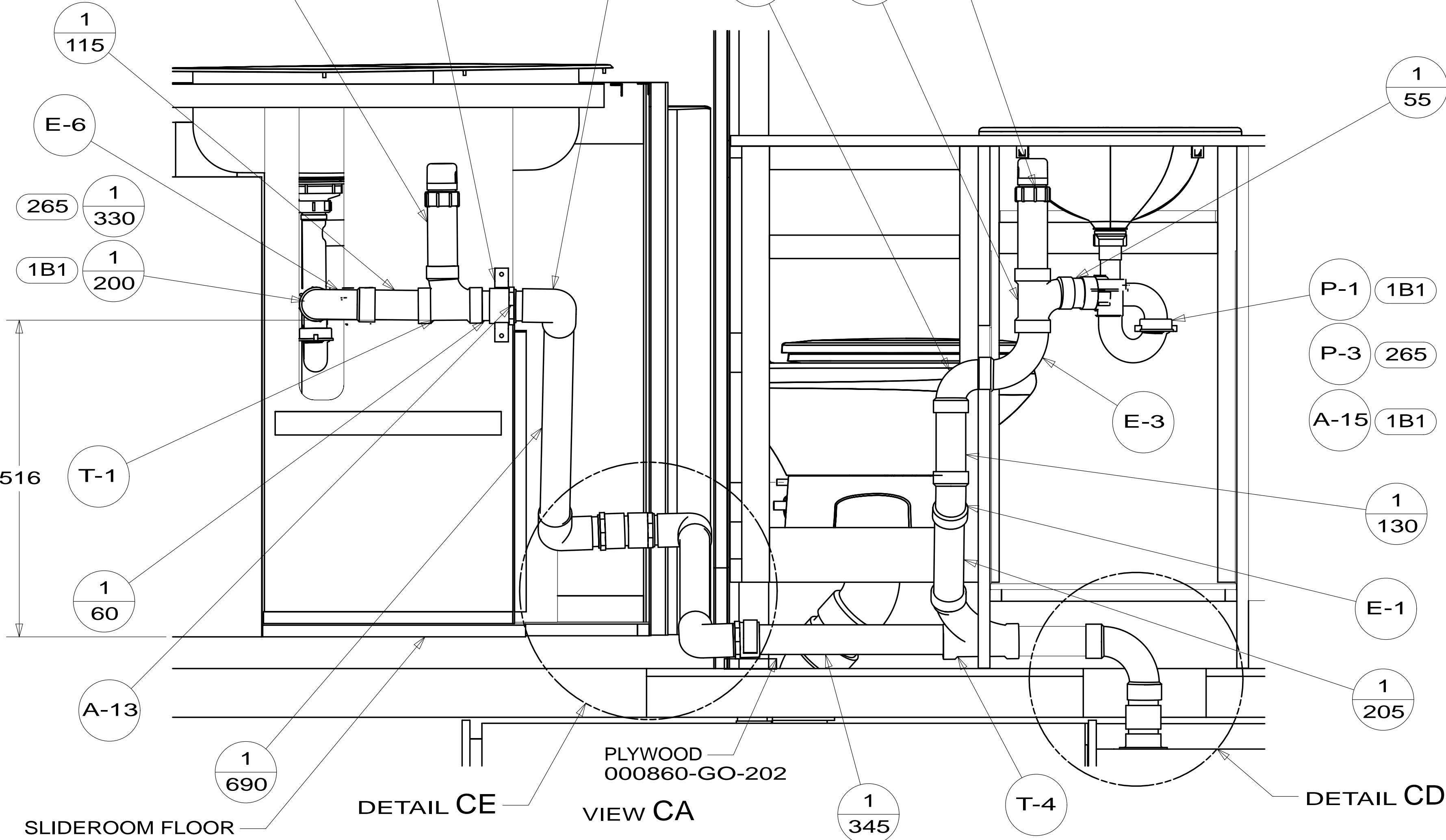
STRAP-CONDUIT, 2"  
008406-01-000

ELBOW  
136111-01-000

TOILET  
160815-04-CHT  
SCREW  
087721-01-000 (8)

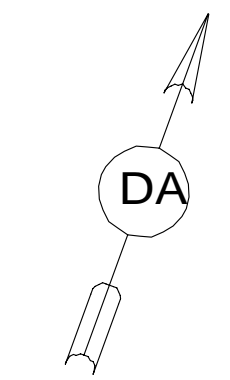
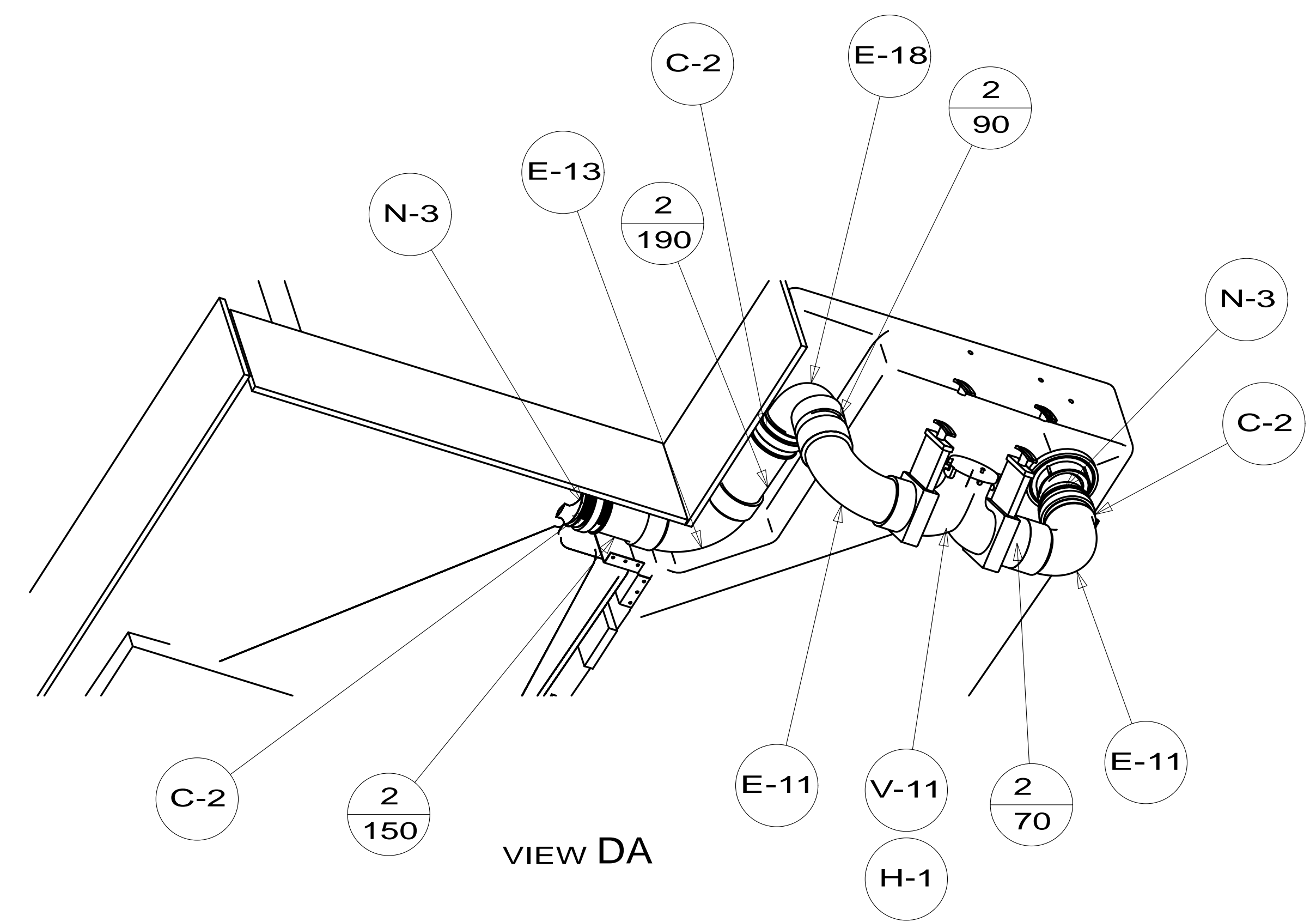
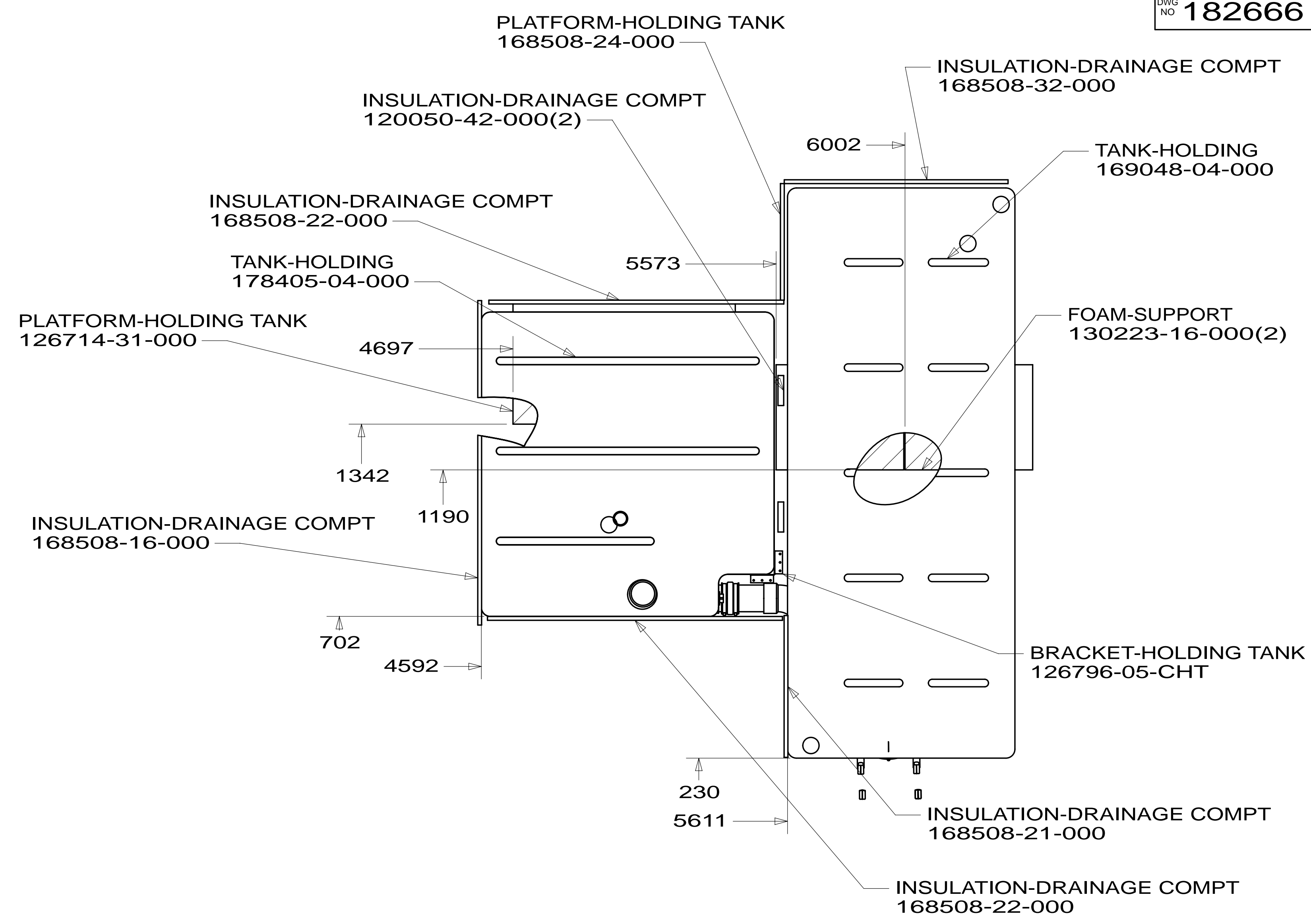
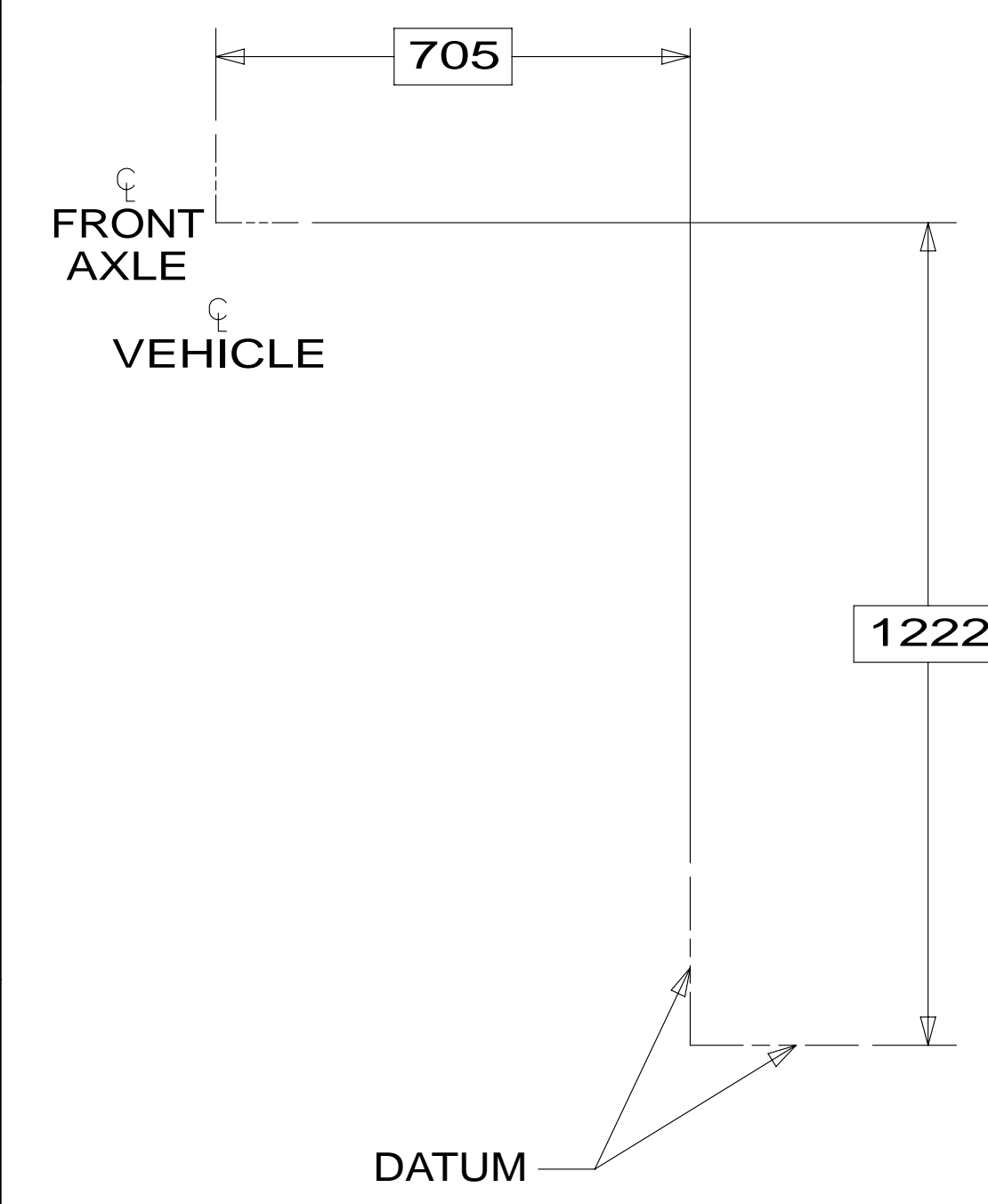
SINK-LAV  
164615-01-CHT  
SCREW  
000G37-08-10U (6)  
SEAL  
(A/R)  
STRAINER ASM  
106116-01-CHT  
GASKET  
106116-02-CHT

SINK  
184806-01-CHT  
BRACKET  
140002-01-CHT(8)  
SCREW  
142261-02-CHT(8)  
STRAINER  
092303-01-000 (2)  
SEAL  
091255-03-000  
(2130)



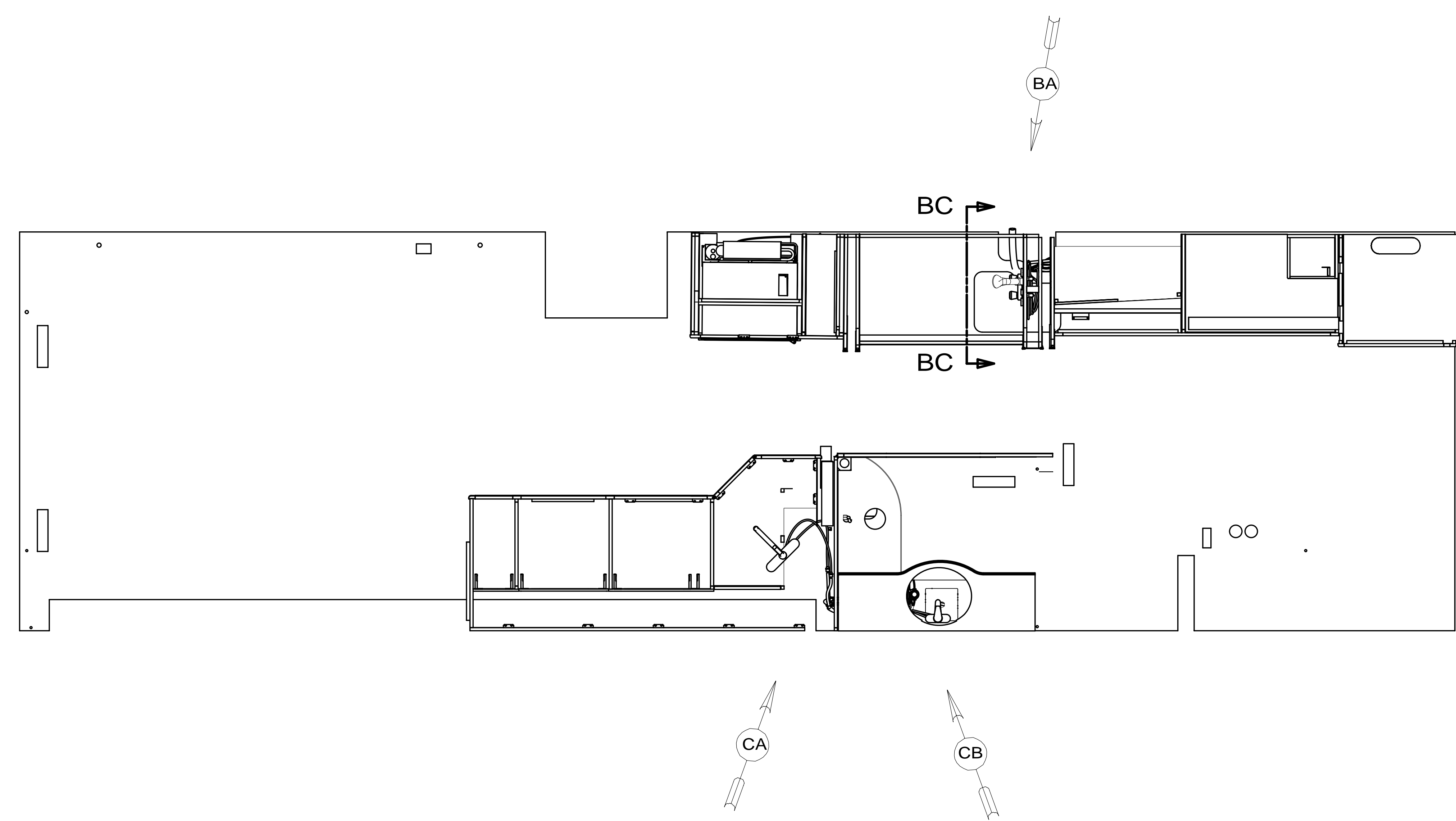
FIRST USED	13 D35G	
TITLE:	DO NOT SCALE DRAWING	
DRAINAGE SYSTEM INSTL		
SHEET 3	PART NO 182666	REV
10-May-2013		

\* 182666



FIRST USED	13 D35G	
DO NOT SCALE DRAWING		
TITLE: DRAINAGE SYSTEM INSTL		
SHEET 4	PART NO 182666	REV
		10-May-2013

\* 182666 \* A



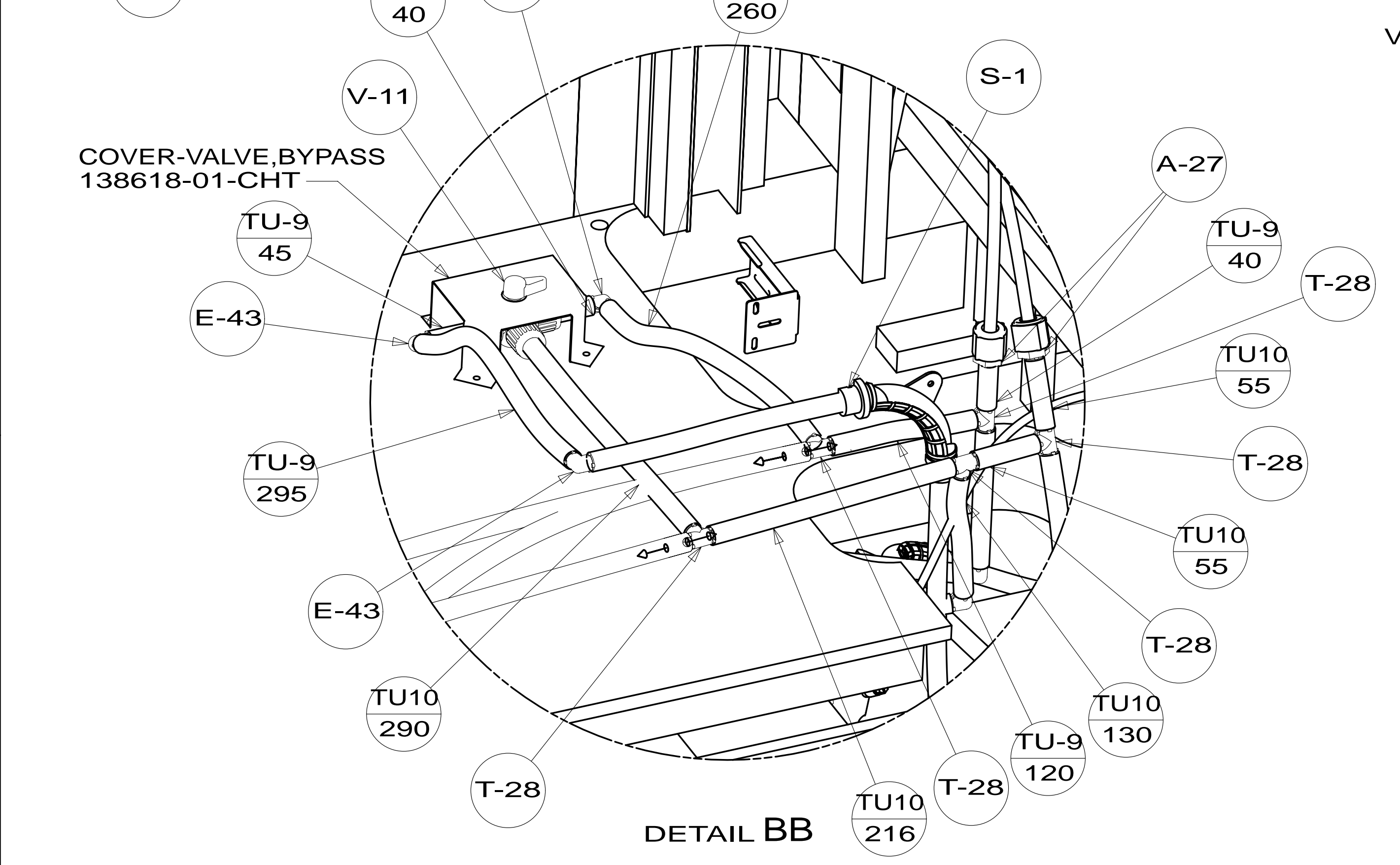
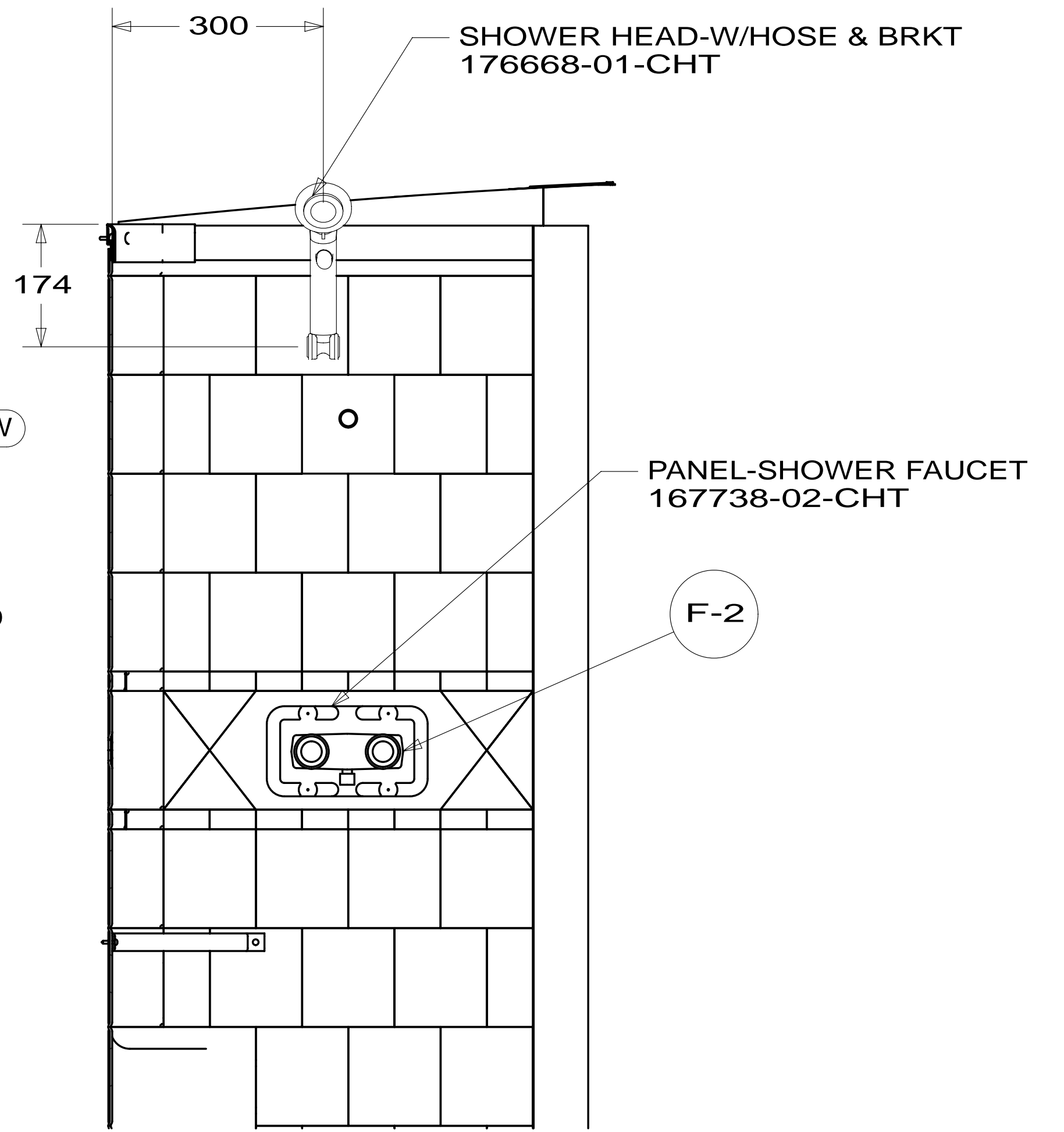
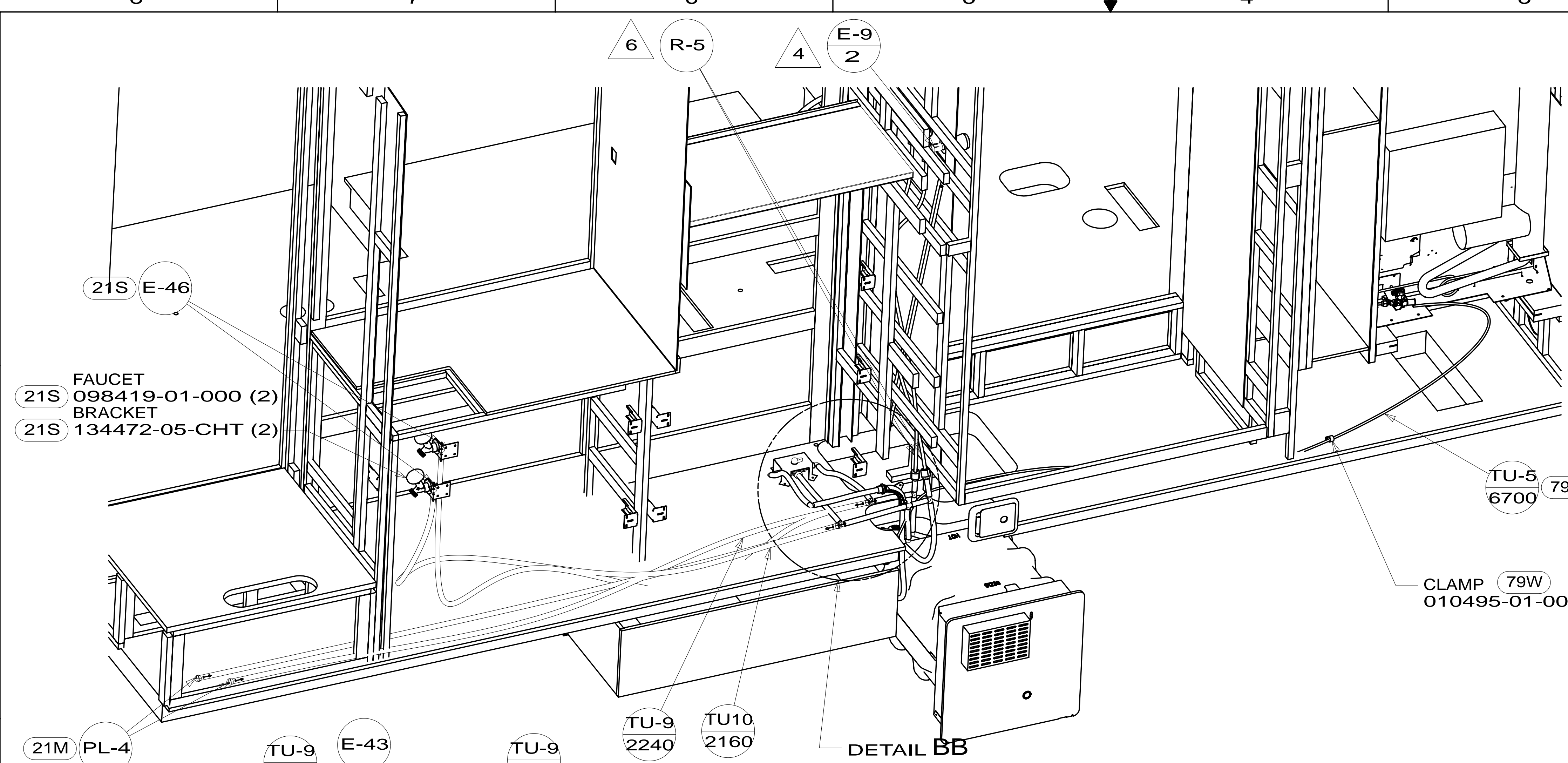
- 10 ALL CRIMP FITTING TO 3/4" PEX TUBING REQUIRE 3/4" CLAMP 140717-05-000.
- 9. SEAL VENT HOLE IN DOOR W/SILICONE SEALANT.
- 8. ALL CRIMP FITTINGS TO 1/2" PEX TUBING REQUIRE 1/2" CLAMP 140171-03-000.
- 7. ALL CRIMP FITTINGS TO 5/8" FLEX TUBING REQUIRE 5/8" CLAMP 140171-04-000.
- 6 LABEL HOT AND COLD SUPPLY TUBES AND TAPE FITTING TO TUBE BEFORE CABINET SET TO PREVENT MOVEMENT.
- 5 ADD PIPE WRAP (LADDER SCRAP 110157-02-000) INSULATION.
- 4 ADD TEFLON TAPE 010405-02-000.
- 3. ALL TUBING TO BE SECURED AT 1200 INTERVALS MAXIMUM WITH CLAMP 010495-01-000 AND SCREW 000G67-10-12U OR EQUIVALENT.
- 2. TUBING TO BE INSTALLED WITH SUFFICIENT SLOPE TO PROVIDE DRAINAGE TO NEAREST VALVE.
- 1. PLASTIC FITTINGS TO BE SEALED WITH SEALANT 084456-01-000.

- 79W REFRIGERATOR-4 DOOR
- 21S WASHER & DRYER-PAIR
- 21M WASHER/DRYER PREP

		COPYRIGHT 2013 WINNEBAGO INDUSTRIES, INC.	
DFT-ORIG	ORIG. DATE	ALL DIMENSIONS ARE IN MILLIMETERS	
CHKR			
P.E.			
M.E.	FIRST USED	13 D35G	
DSNR			
UNSPECIFIED TOLERANCES ARE:		MATERIAL:	
WHOLE DIM (X)	: 3		
ONE-PLACE (X.X)	:		
TWO-PLACE (X.XX)	:		
ANGLE	:		
THIRD ANGLE PROJECTION			
DO NOT SCALE DRAWING		REFER TO ES0018 FOR FASTENER TIGHTENING GUIDELINES	
TITLE: WATER SYSTEM INSTL			
SHEET 1 OF 5	PART NO	182665	REV
REF:	1	19-Feb-2013	

FOR WATER CALLOUTS SEE DWG NO 116230-01-000

\* 182665 \*



FIRST USED	13 D35G	
TITLE:	DO NOT SCALE DRAWING	
SHEET 2	PART NO	182665
	REV	1
19-Feb-2013		

\* 182665 \* A

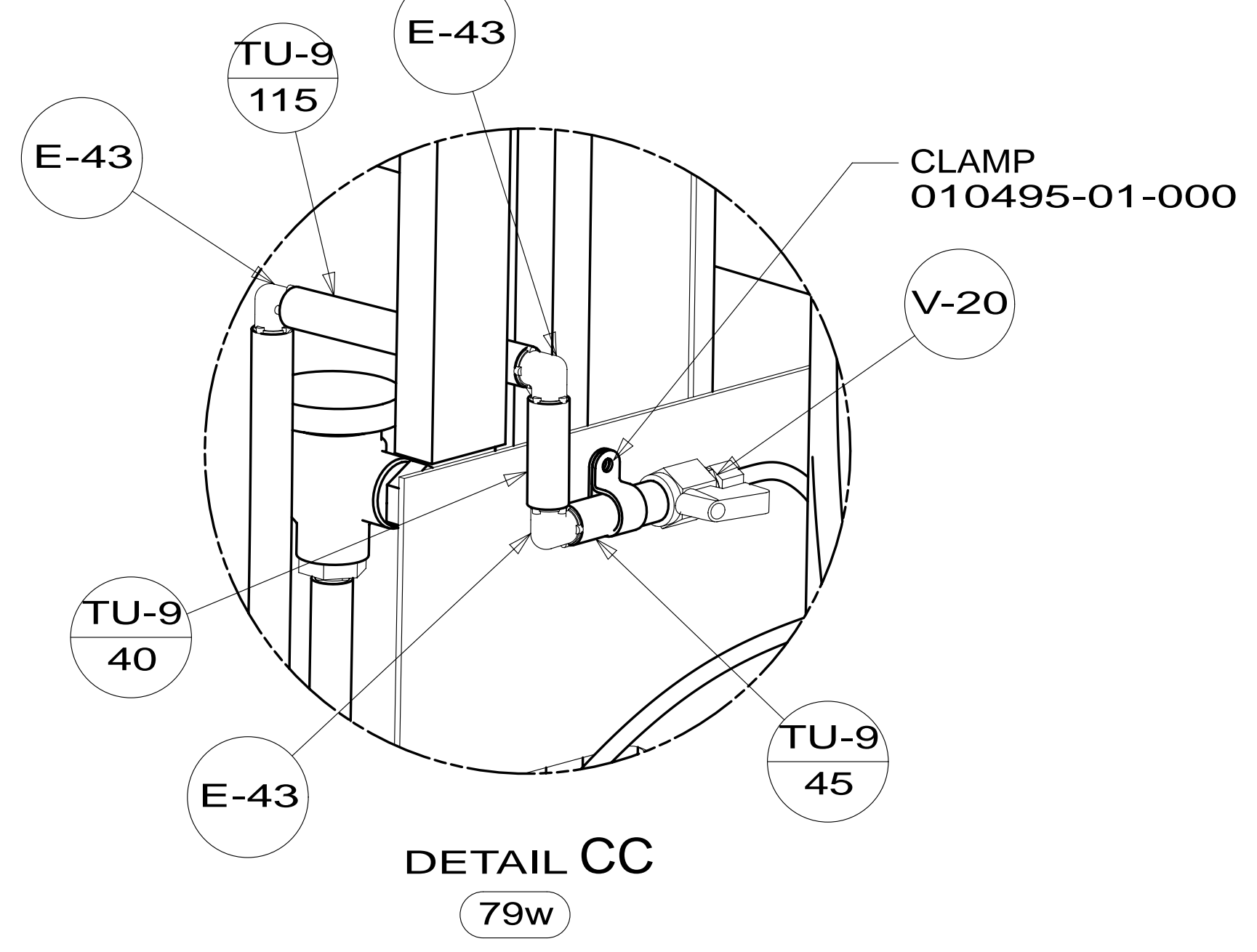
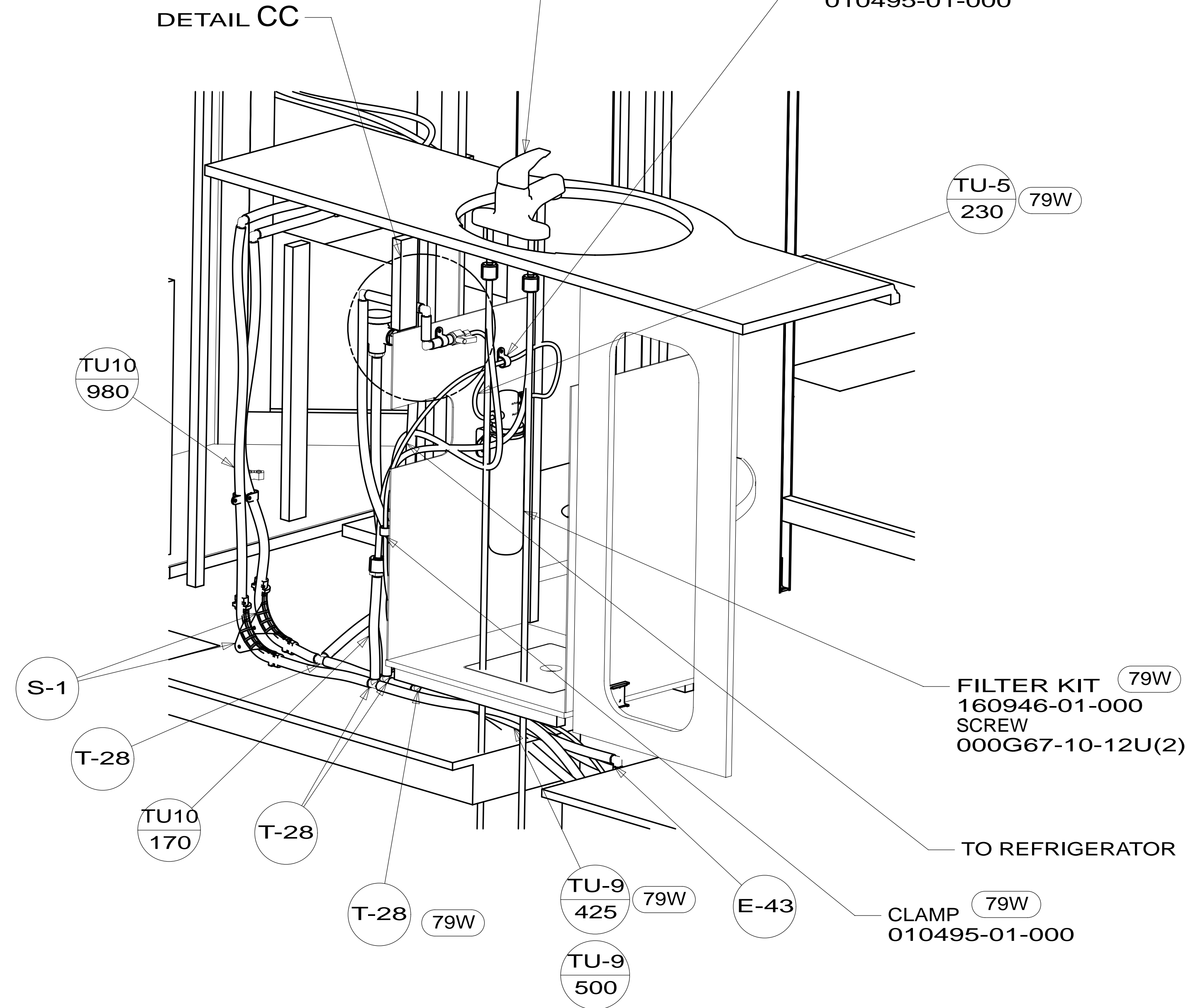
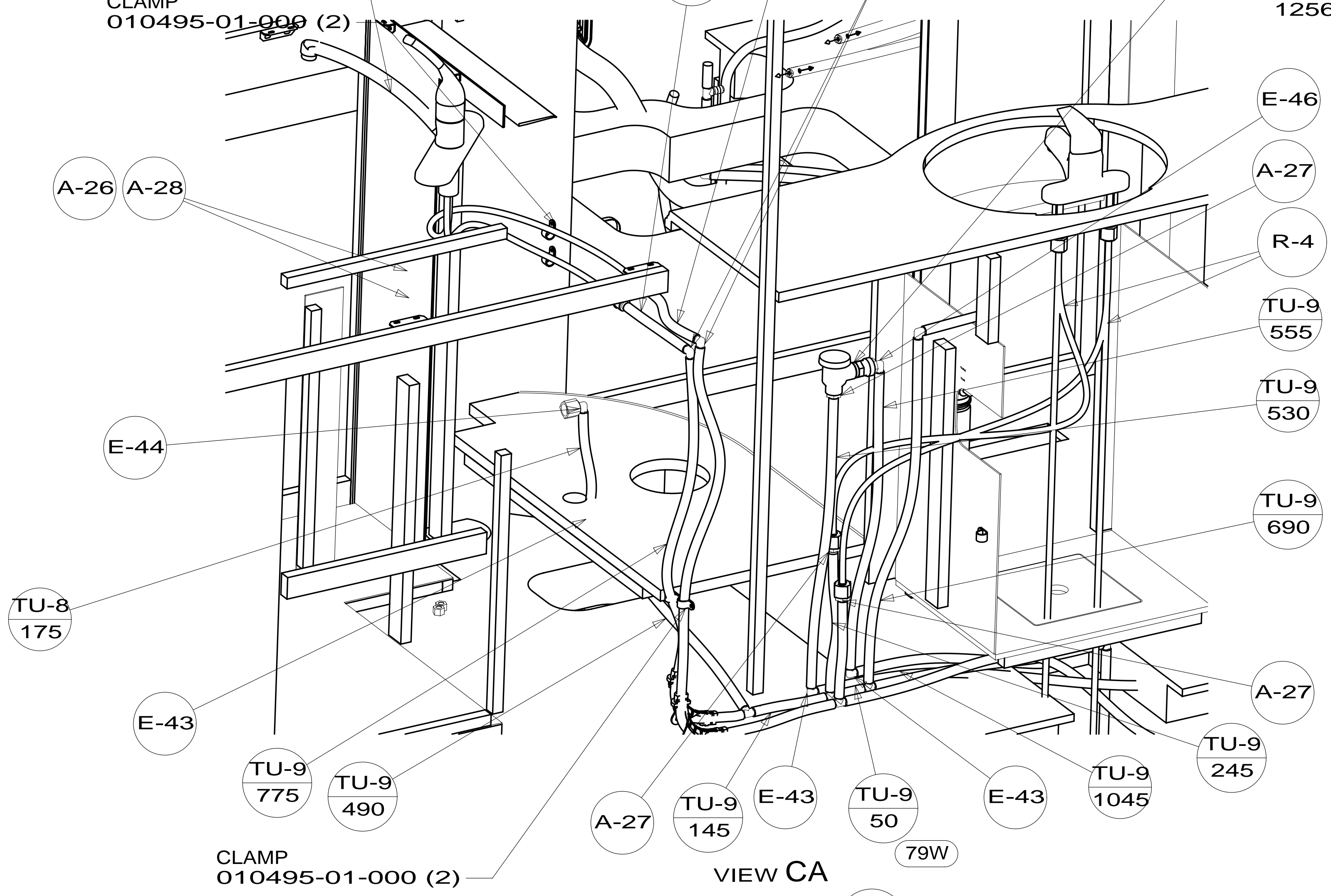
FAUCET-GALLEY  
149164-01-CHT  
(LINES SUPPLIED)

CLAMP  
010495-01-000 (2)

BREAKER-VACUUM,FLUSHING SYS  
125697-04-000  
MUST BE MOUNTED ABOVE  
TOILET FLOOD LEVEL  
CHECK VALVE  
125697-03-000

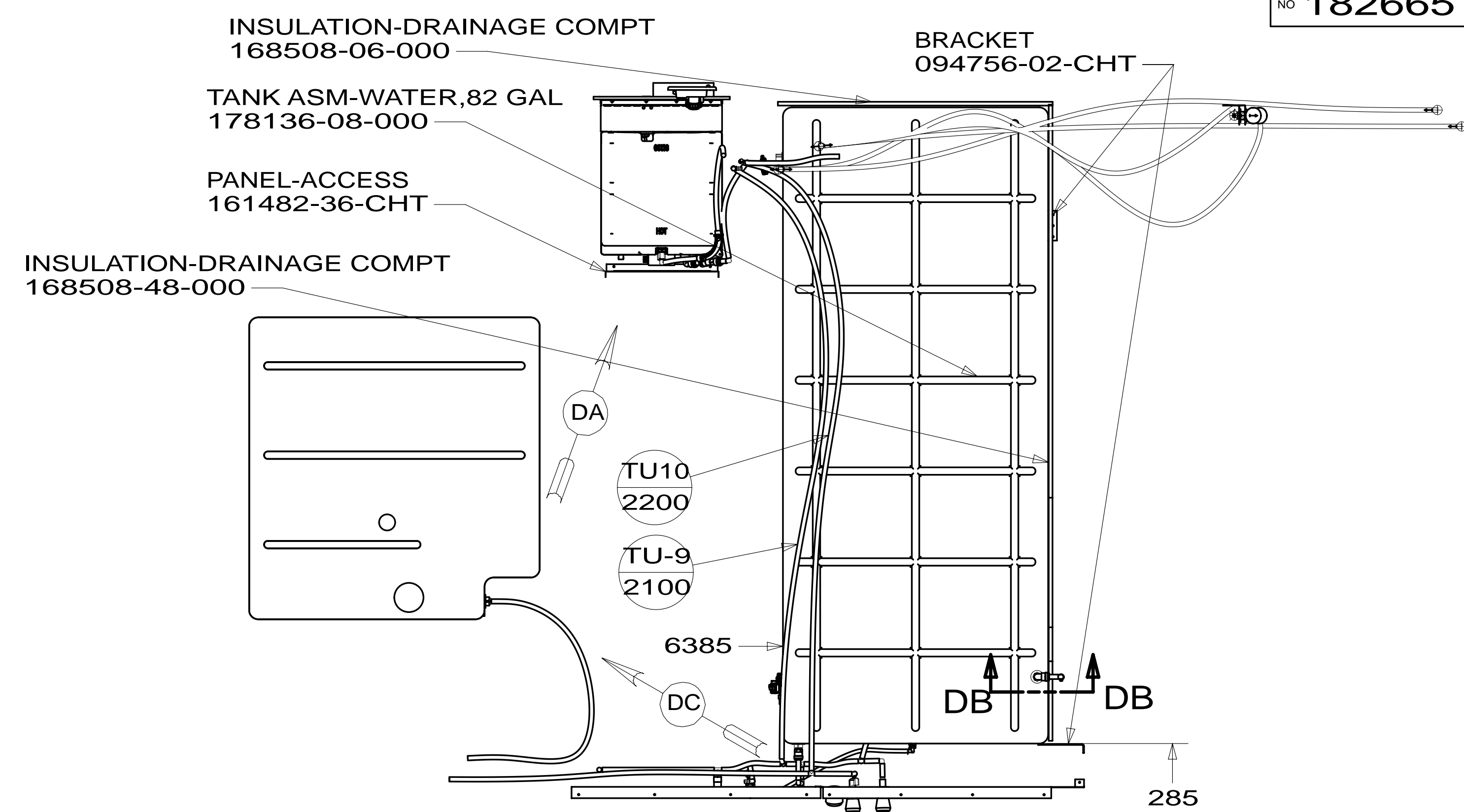
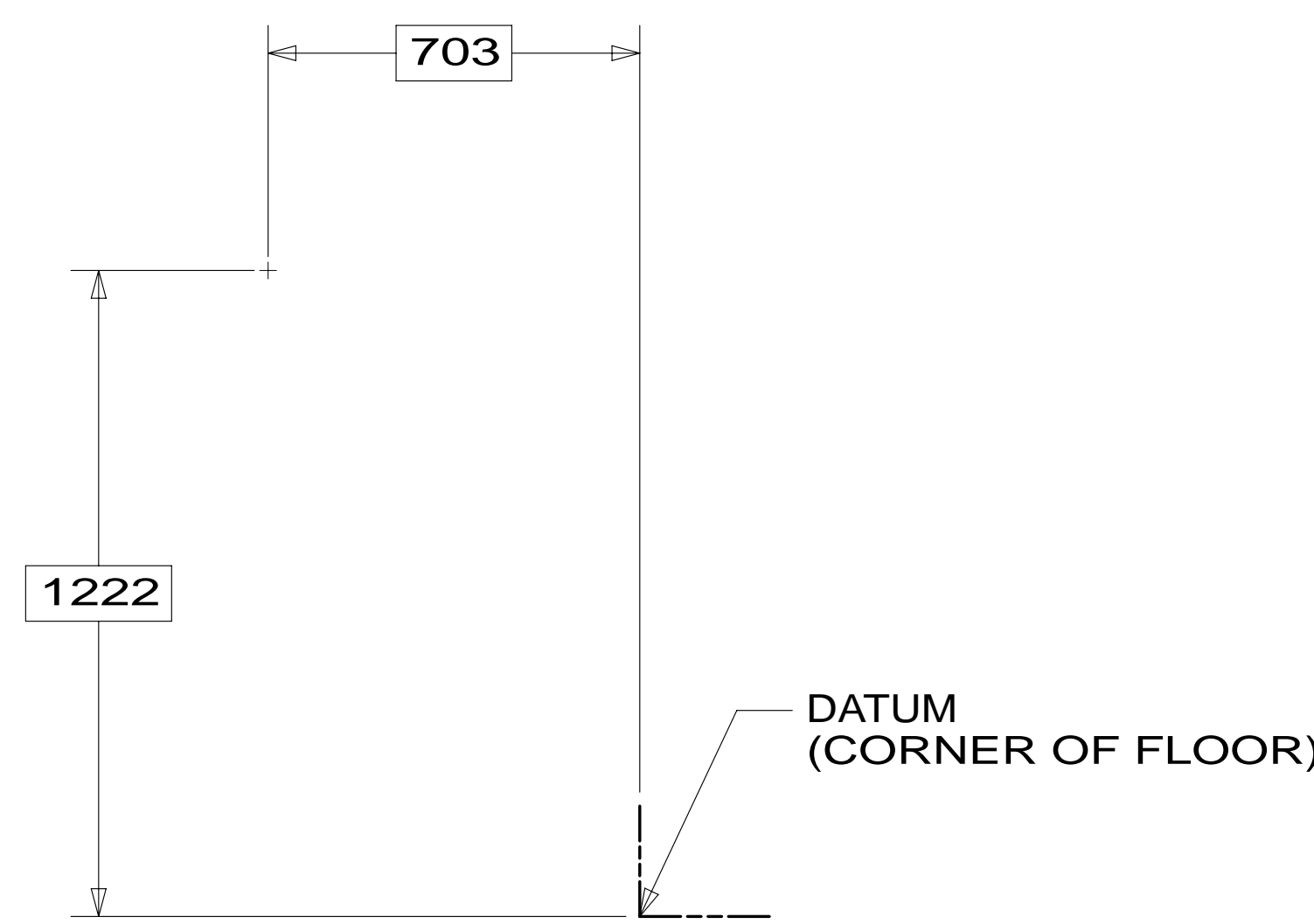
FAUCET-LAV  
165730-01-CHT

CLAMP  
010495-01-000

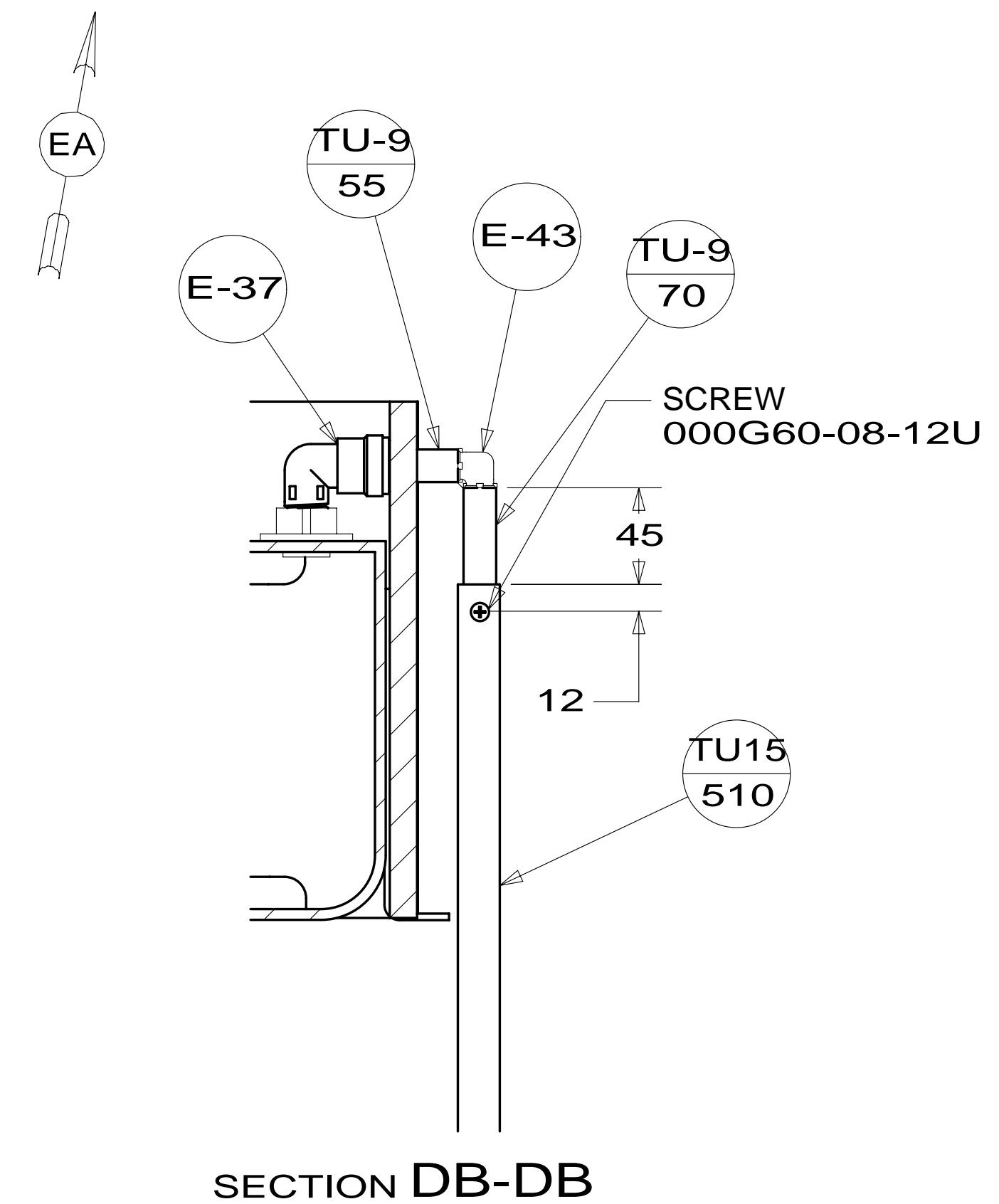
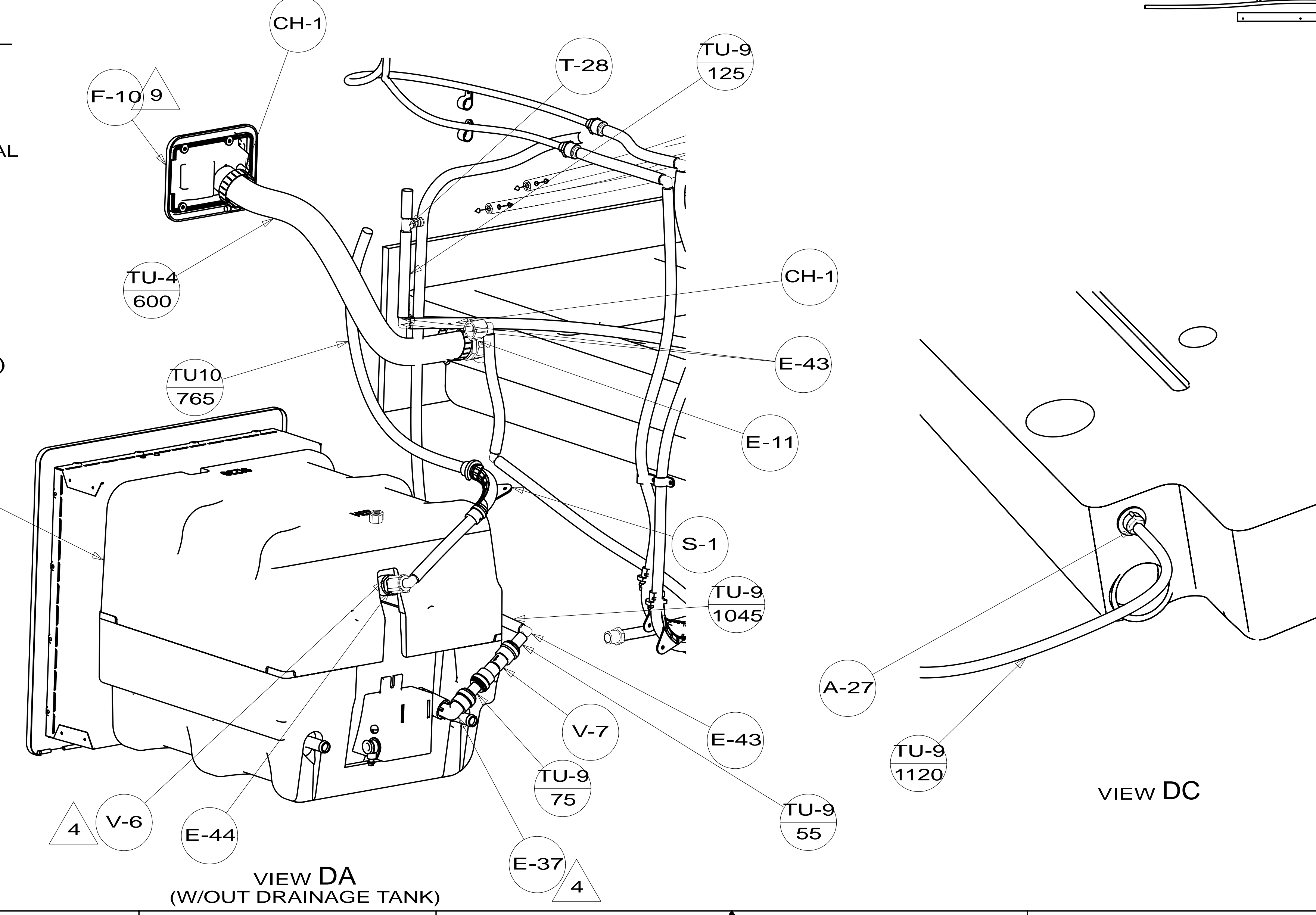


FIRST USED	13 D35G		
TITLE:	DO NOT SCALE DRAWING		
SHEET 3	PART NO	182665	REV
			19-Feb-2013

\* 182665



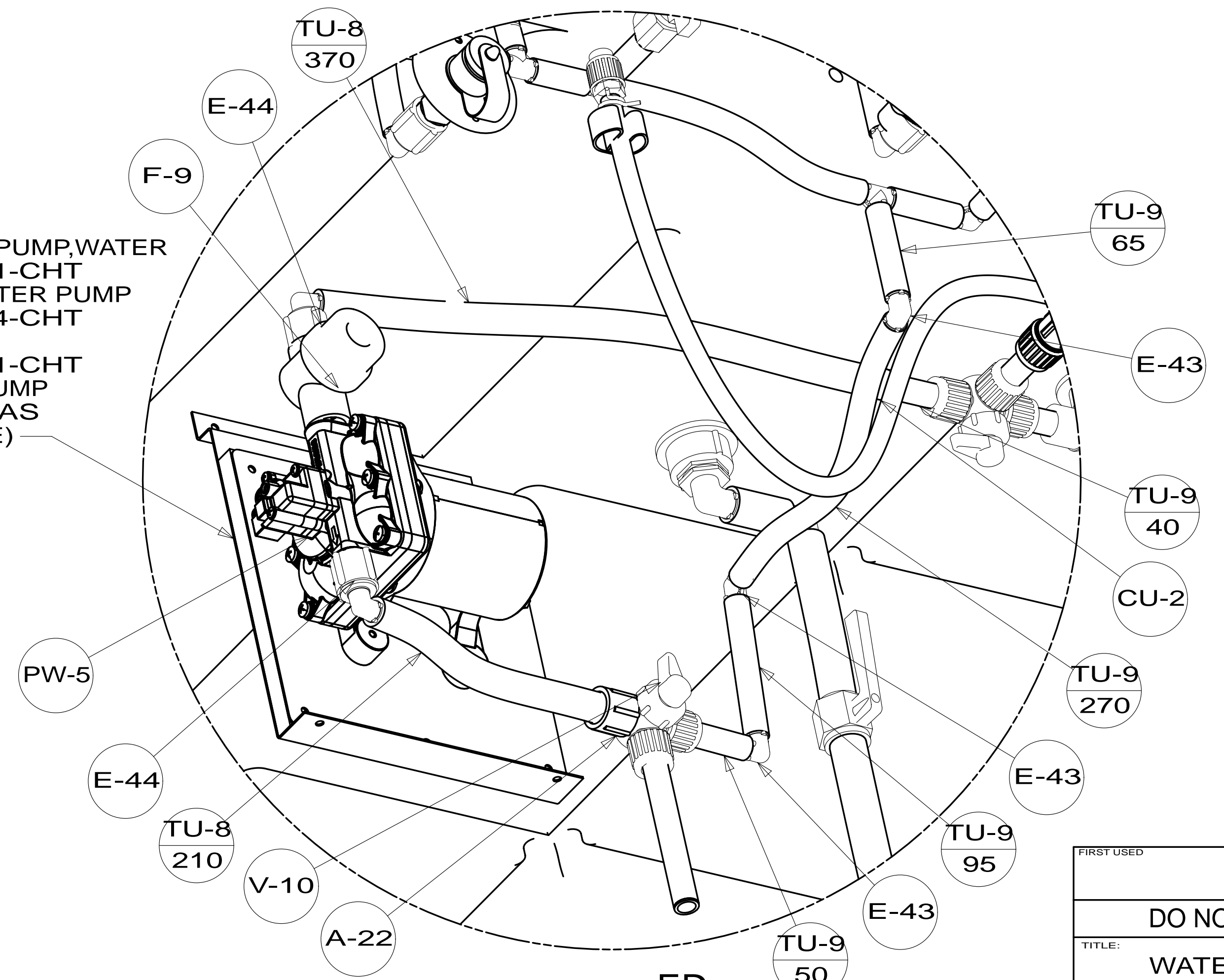
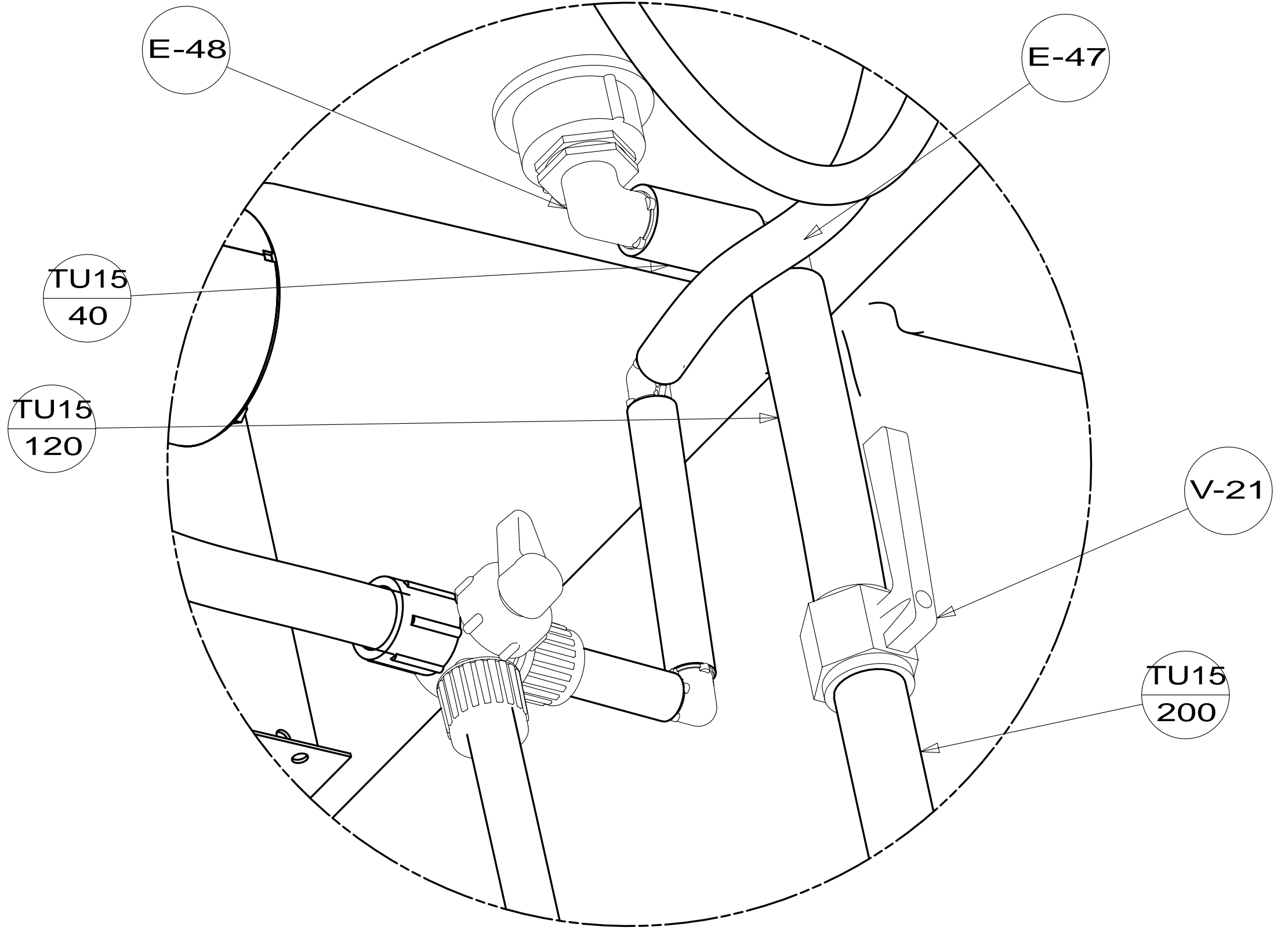
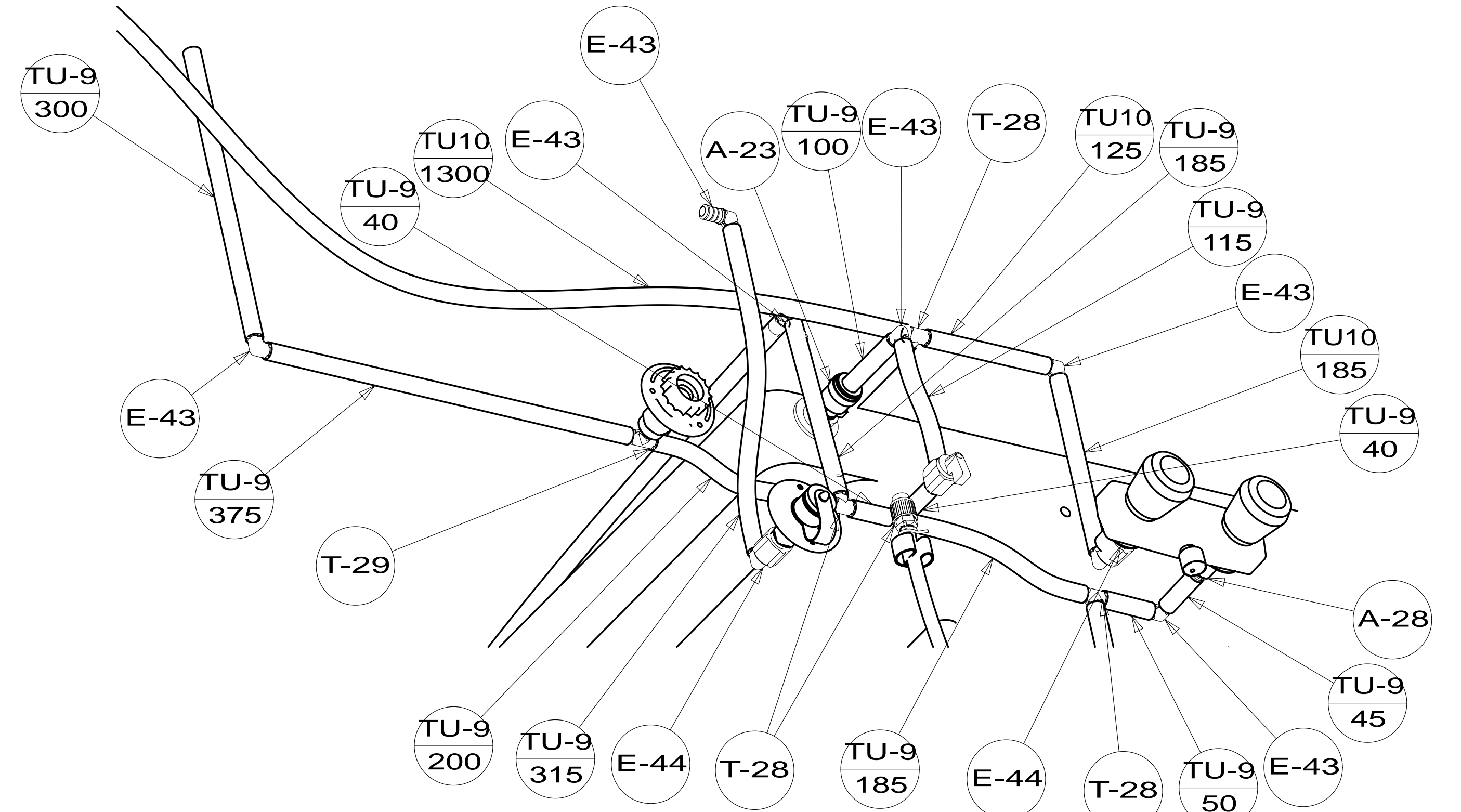
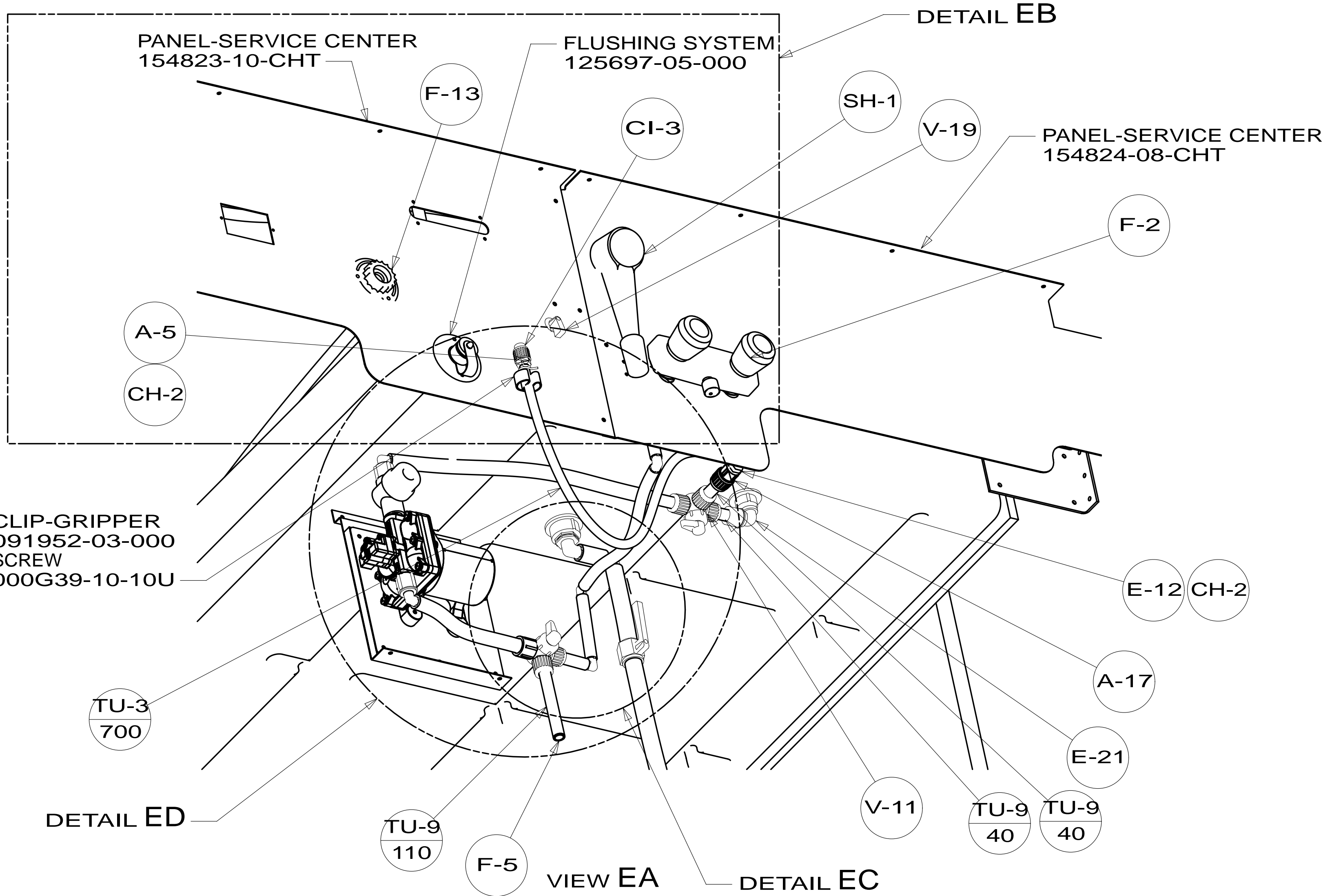
- WATER HEATER-10 GAL  
145541-01-000
- DOOR  
125420-03-CHT
- PLYWOOD  
173882-4M-OCA
- SCREW  
000G39-10-48U (2)
- AL EXTR  
002726-51-027
- SCREW  
002726-51-017 (2)
- SCREW  
000G39-10-16U (18)
- CABLE  
076767-03-000
- SCREW  
000G11-06-08U (2)
- SEALANT



FIRST USED	13 D35G	
TITLE:	DO NOT SCALE DRAWING	
SHEET 4	PART NO	182665
	REV	
19-Feb-2013		

\* 182665





FIRST USED	13 D35G		
TITLE:	DO NOT SCALE DRAWING		
SHEET	5	PART NO	182665
		REV	
		19-Feb-2013	

\* 182665