

- NOTES:
10. USE SMOOTH PLUMBERS PUTTY 167459-01-000 TO SEAL STRAINER (0.2 PER STRAINER).
  9. APPLY PRIMER 126427-02-000 AND CEMENT 126427-01-000 BETWEEN ELBOW AND FLEX PIPE.
  8. SECURE DRAINAGE PIPES TO CABINET USING WIRE TIE 108046-02-000, AND SCREW 000G67-10-12U AT INTERVALS OF NOT MORE THAN 4 FEET APART.
  7. SECURE VENT PIPE TO TANK WITH CLAMP 062401-02-000.
  6. VENT PIPE MUST PROJECT 51 MIN AND 64 MAX ABOVE ROOF FOR PROPER FIT AND FUNCTION. ADD S-1 (116666-01-CHT SEAL-VENT PIPE) AROUND PIPE ON ROOF BEFORE VENT CAP IS INSTALLED.
  5. SEAL AROUND SHOWER WITH SILICONE.
  4. ATTACH TANK BRACKET TO RISER.
  3. ALL PIPE AND FITTINGS TO BE ASSEMBLED WITH SOLVENT 004020-01-000 (USA), 004020-02-000 (CAN)
  2. SLOPE OF TRAP ARM MUST BE 6 PER 305 mm.
  1. SLOPE OF HORIZONTAL PIPING TO BE MINIMUM OF 3 PER 305 mm.

1B1 CODES/STANDARDS-USA  
 265 CODES/STANDARDS-CSA/CMVSS

		COPYRIGHT 2013 WINNEBAGO INDUSTRIES, INC.
DFT-ORIG	ORIG. DATE	
CHKR	ALL DIMENSIONS ARE IN MILLIMETERS	
P.E.		
M.E.	FIRST USED	
DSNR	13 D33C	
UNSPECIFIED TOLERANCES ARE:		
WHOLE DIM (X)	: 3	
ONE-PLACE (X.X)	: 1.5	
TWO-PLACE (X.XX)	: 0.50	
ANGLE	: 1°	
THIRD ANGLE PROJECTION		
DO NOT SCALE DRAWING		REFER TO ES0018 FOR FASTENER TIGHTENING GUIDELINES
TITLE: DRAINAGE SYSTEM INSTL		
SHEET 1 OF 4	PART NO 179581	REV
REF:	1	23-Apr-2013

FOR DRAINAGE CALLOUTS SEE DWG NO 116229-01-000

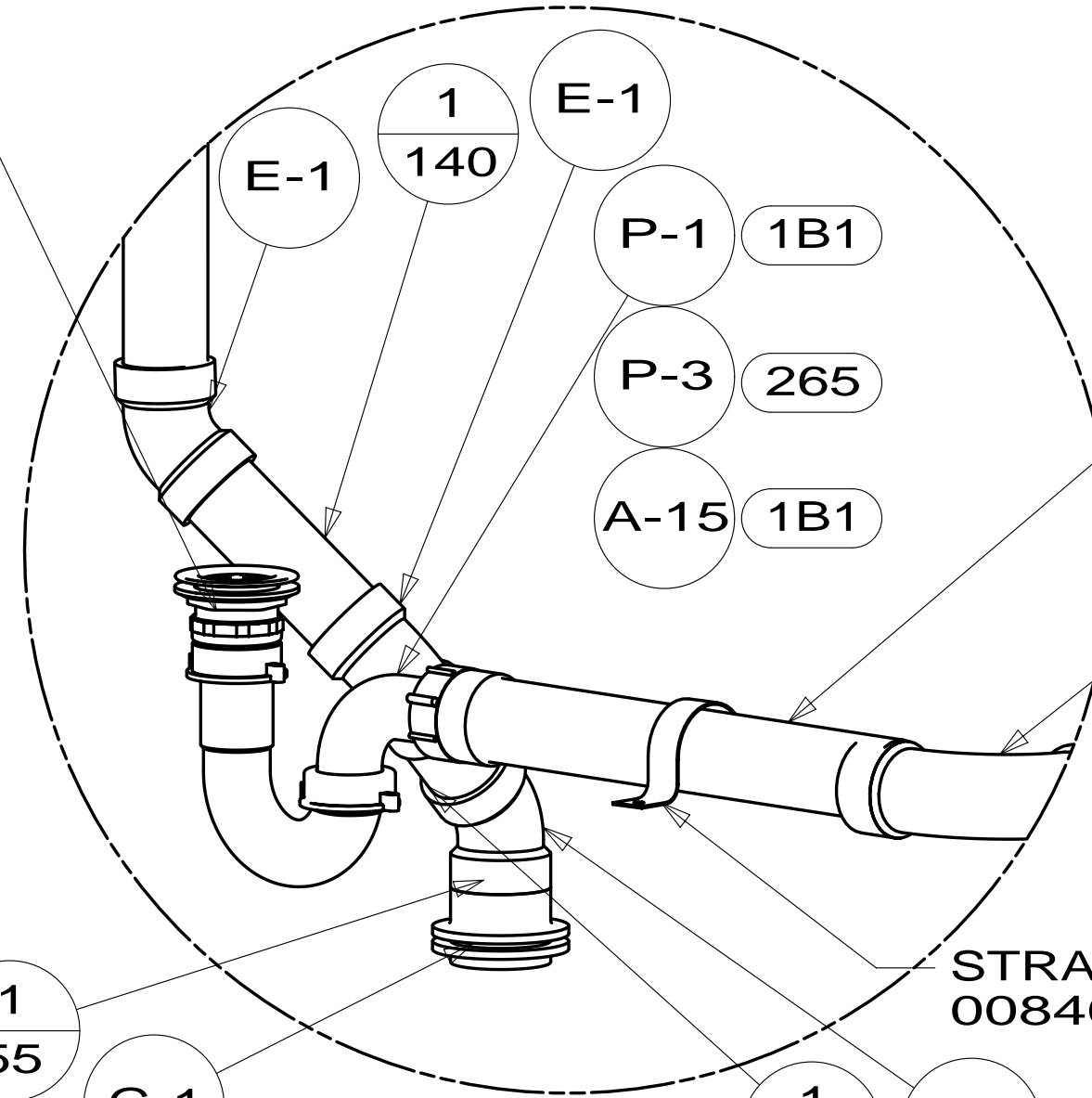
SHOWER INSTL  
164684-03-000  
STRAINER  
066440-01-000  
TAILPIECE  
011069-06-000  
NUT  
130403-02-000  
WASHER-RUBBER  
127440-02-CHT

SINK-LAV  
164615-01-CHT  
SCREW  
000G37-08-10U (6)  
SEAL  
(A/R)  
STRAINER ASM  
106116-01-CHT  
GASKET  
106116-02-CHT

1/300 C-3 1/1710

CP-2 6 1/300

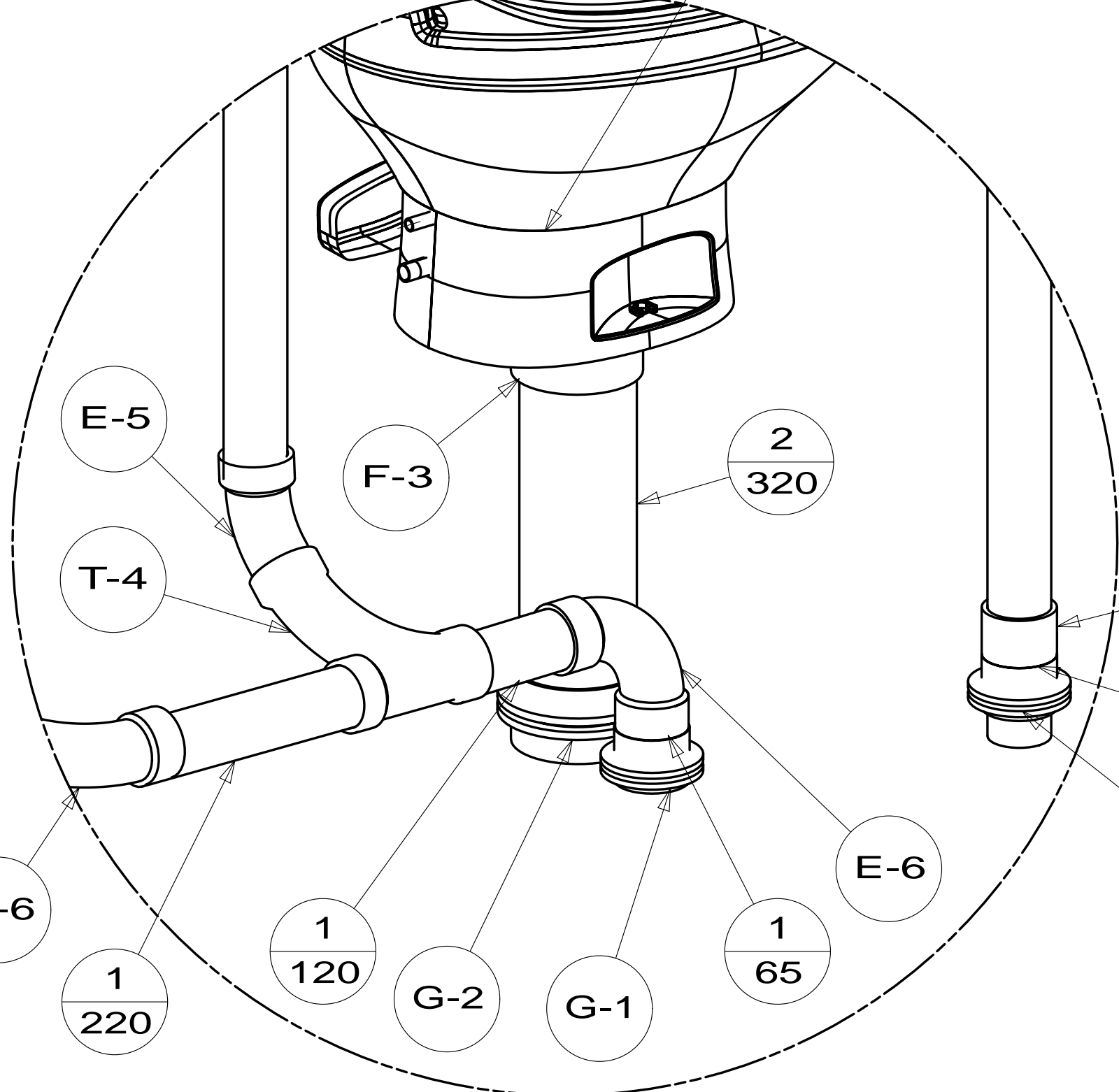
1/2000



STRAP-CONDUIT, 2"  
008406-01-000

DETAIL D  
(SHOWN W/OUT SHOWER, CABINETS, AND FLOOR)

TOILET  
160815-04-CHT  
SCREW  
087721-01-000 (8)



DETAIL B  
(SHOWN W/OUT FLOOR AND CABINETS)

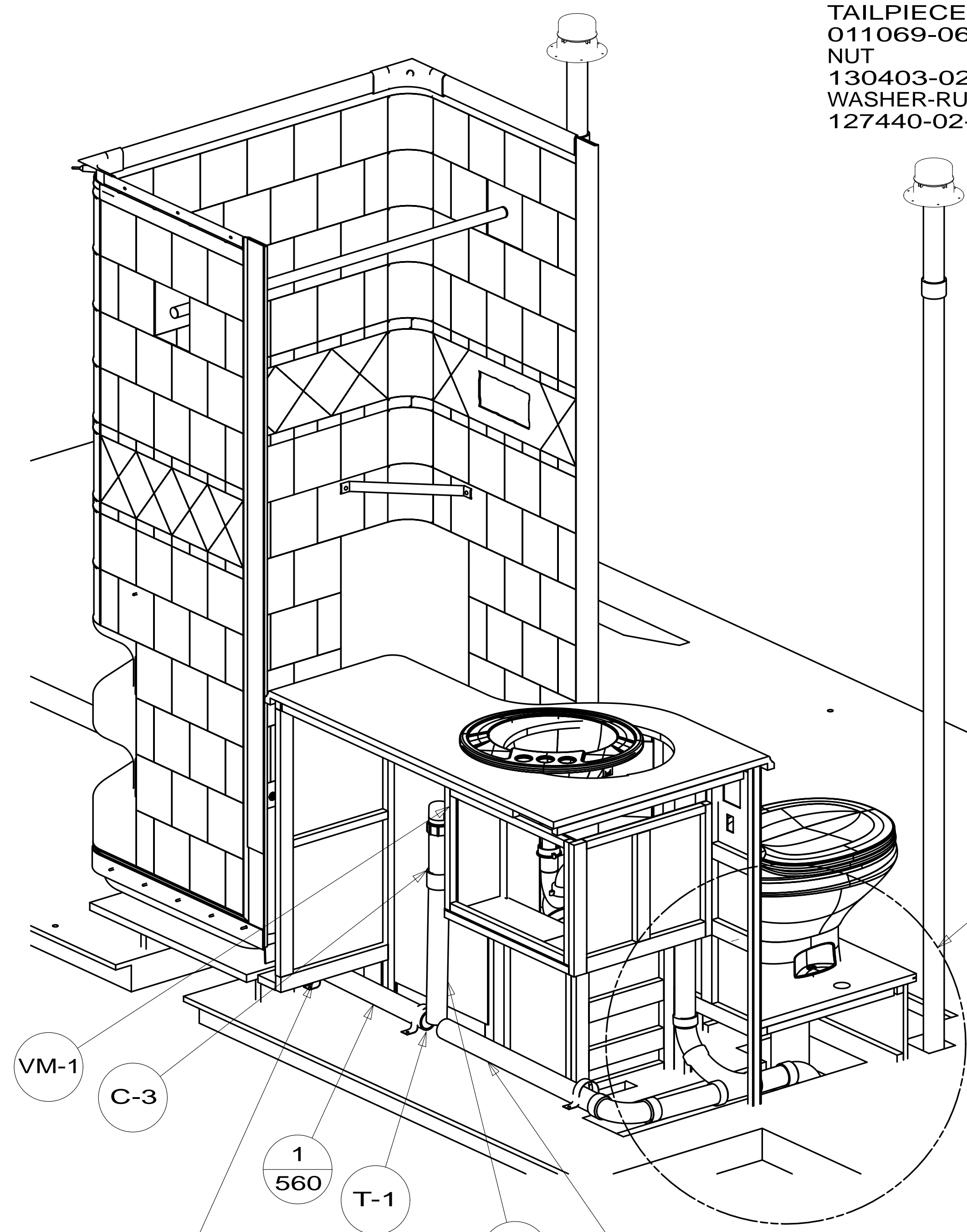
VM-1  
T-1 1/160 265  
1/120 1B1

P-1 1B1  
P-3 265  
A-15 1B1

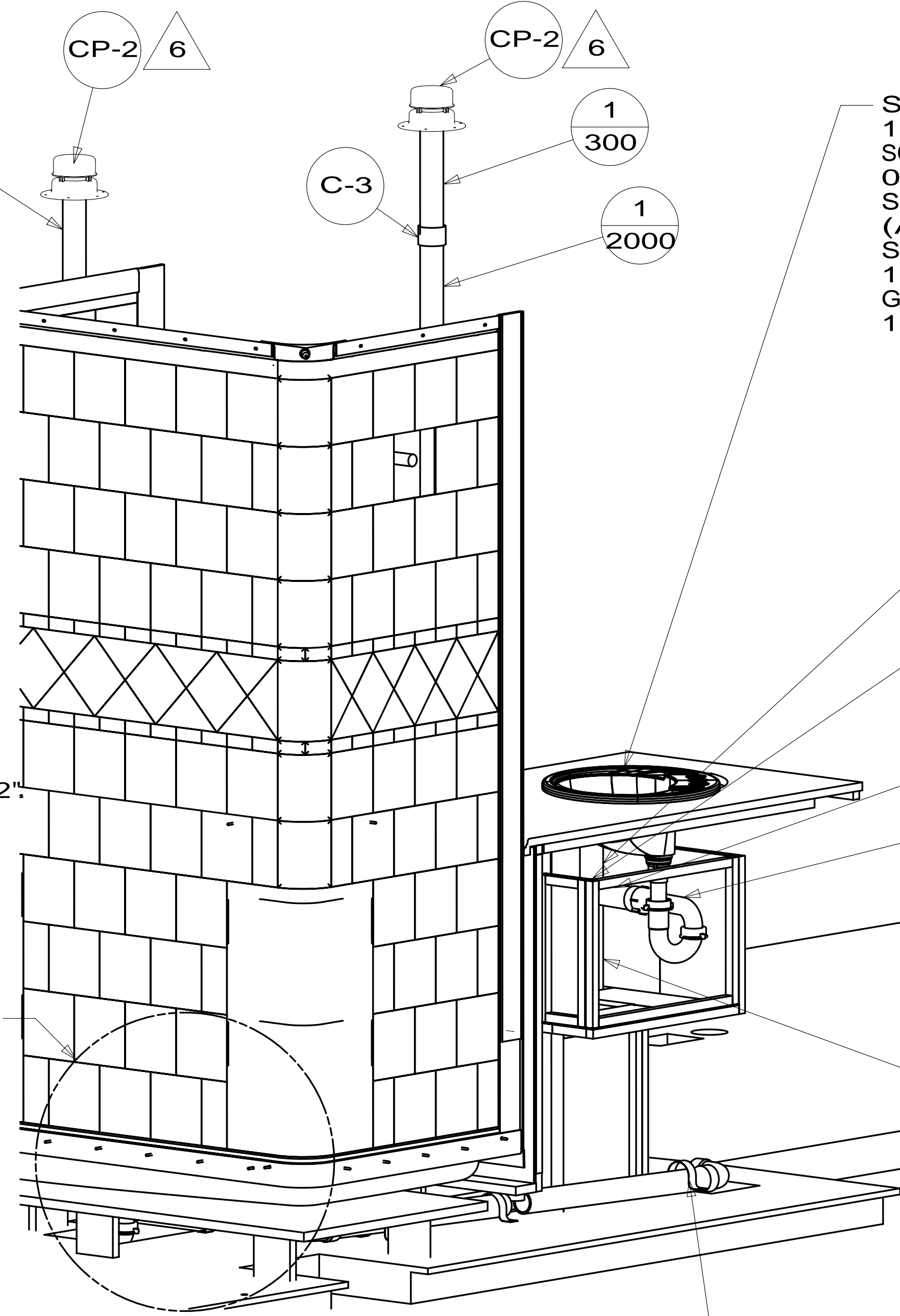
1/450

STRAP-CONDUIT, 2"  
008406-01-000

VIEW C

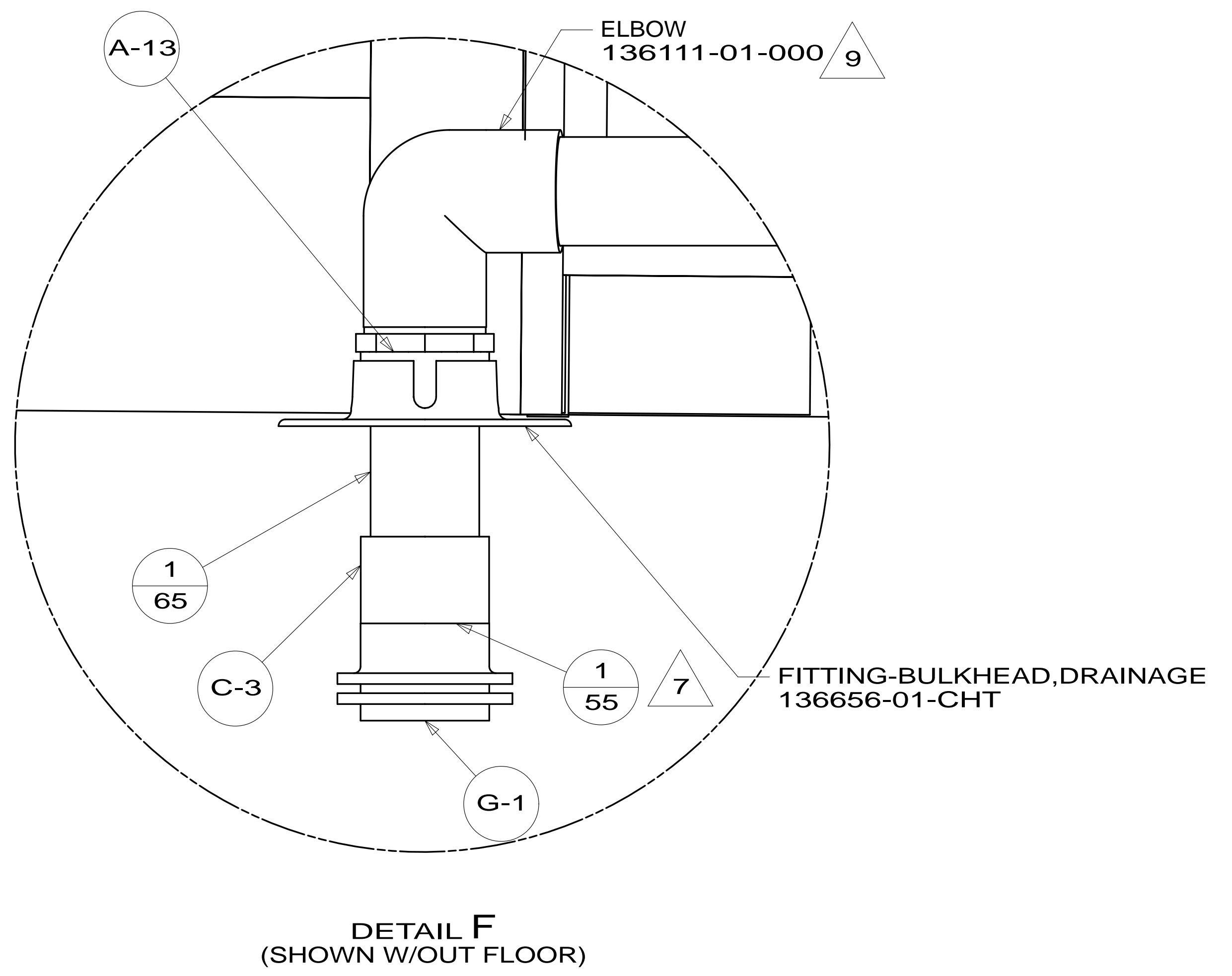
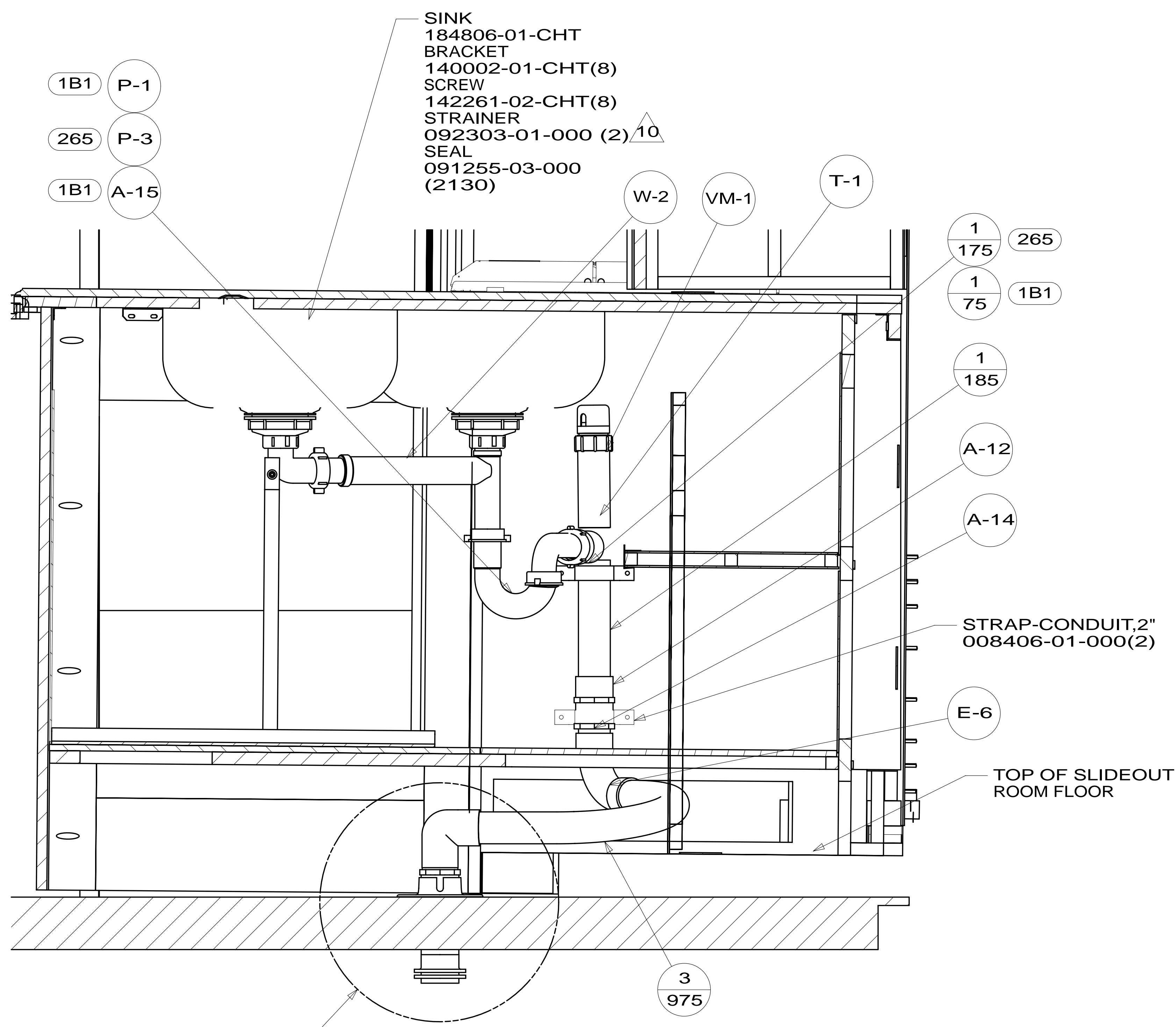


VIEW A



DETAIL D

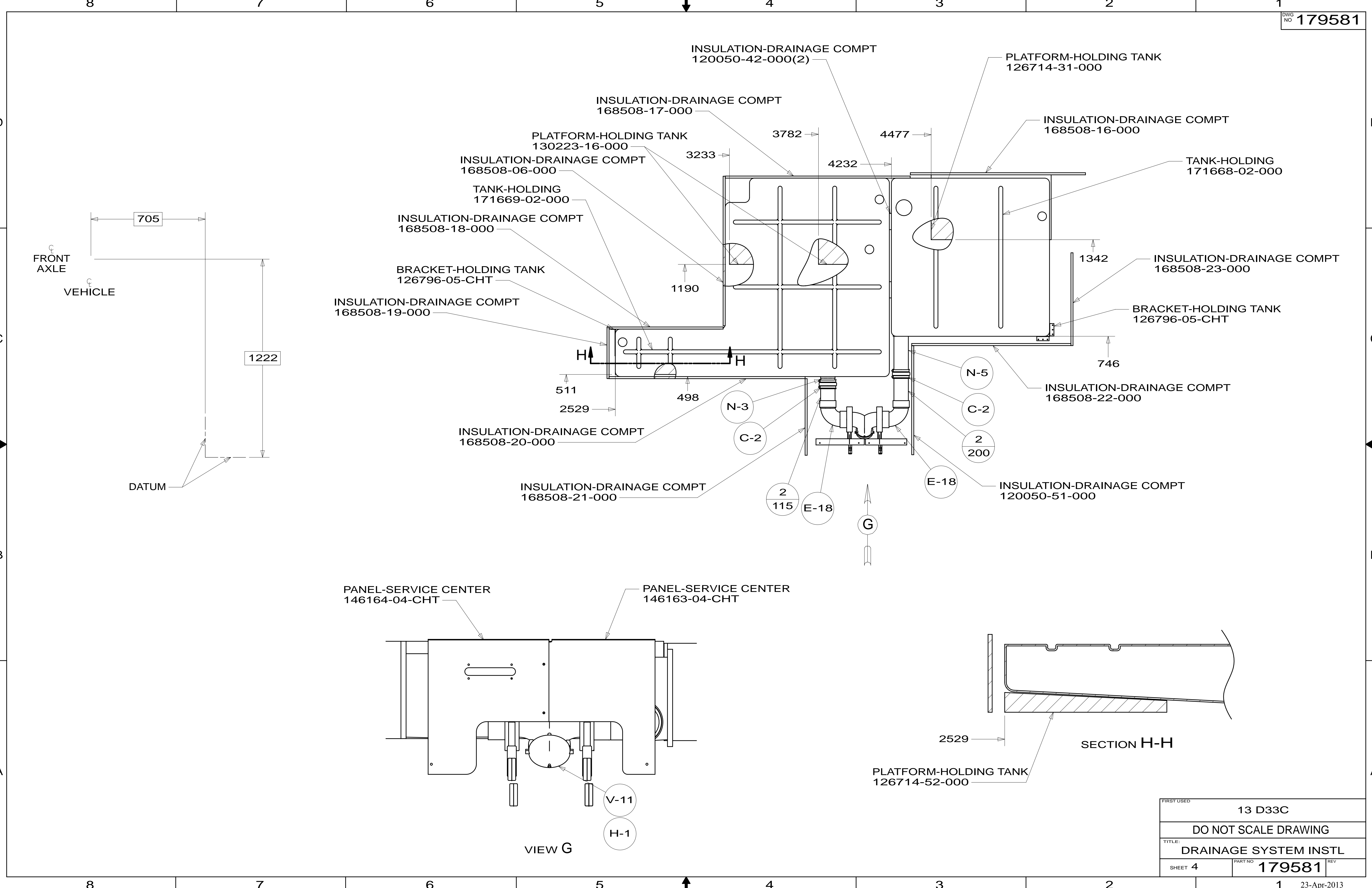
FIRST USED	13 D33C
DO NOT SCALE DRAWING	
TITLE: DRAINAGE SYSTEM INSTL	
SHEET 2	PART NO 179581 REV



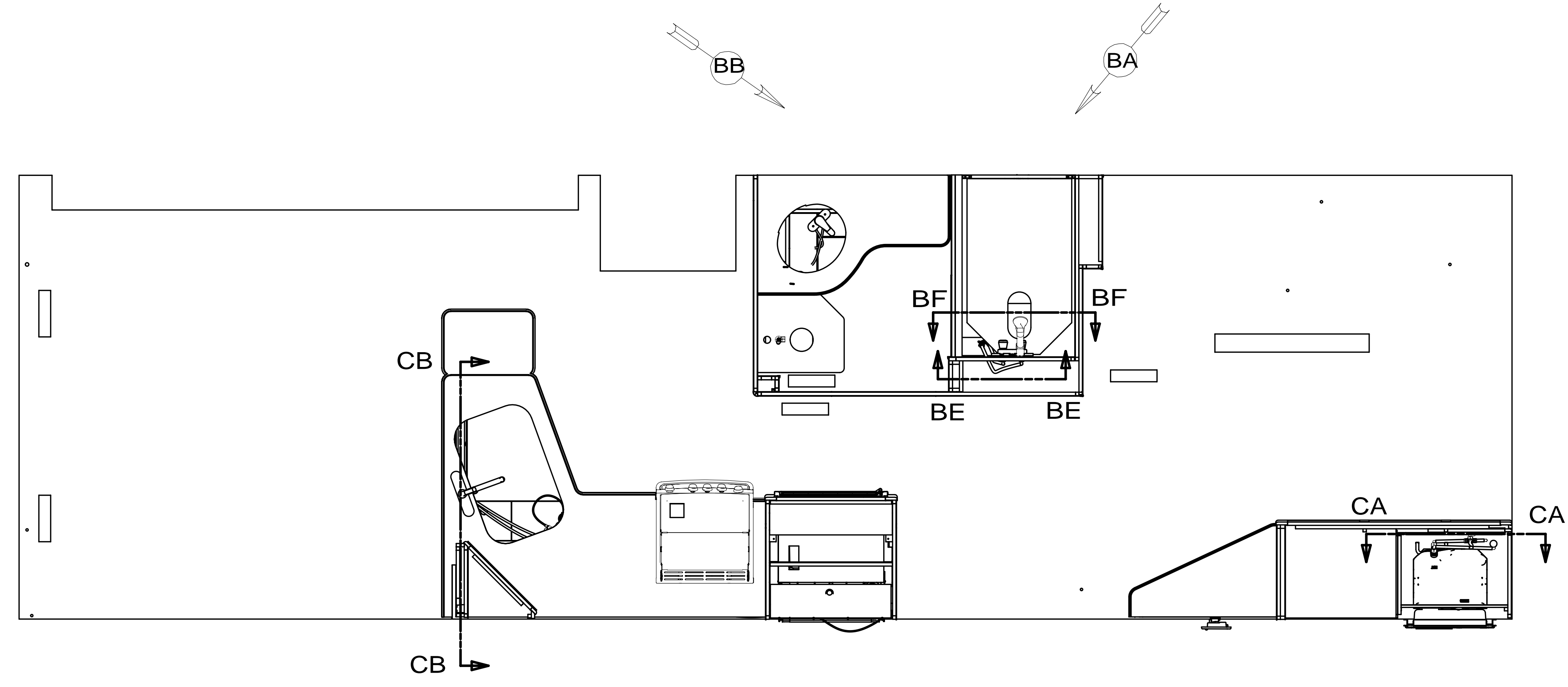
SECTION E-E  
(ROTATED)

DETAIL F  
(SHOWN W/OUT FLOOR)

FIRST USED	13 D33C		
DO NOT SCALE DRAWING			
TITLE: DRAINAGE SYSTEM INSTL			
SHEET 3	PART NO	179581	REV
			23-Apr-2013



FIRST USED	13 D33C		
TITLE:	DO NOT SCALE DRAWING		
TITLE:	DRAINAGE SYSTEM INSTL		
SHEET 4	PART NO	179581	REV
23-Apr-2013			



8. ALL CRIMP FITTINGS TO 1/2" PEX TUBING REQUIRE 1/2" CLAMP 140171-03-000.
7. ALL CRIMP FITTINGS TO 5/8" PEX TUBING REQUIRE 5/8" CLAMP 140171-04-000.
6. LABEL HOT AND COLD SUPPLY TUBES AND TAPE FITTING TO TUBE BEFORE CABINET SET TO PREVENT MOVEMENT.
5. ADD PIPE WRAP (LADDER SCRAP 110157-02-000) INSULATION.
4. ADD TEFLON TAPE 010405-02-000.
3. ALL TUBING TO BE SECURED AT 1200 INTERVALS MAXIMUM WITH CLAMP 010495-01-000 AND SCREW 000G67-10-12B OR EQUIVALENT.
2. TUBING TO BE INSTALLED WITH SUFFICIENT SLOPE TO PROVIDE DRAINAGE TO NEAREST VALVE.
1. PLASTIC FITTINGS TO BE SEALED WITH SEALANT 084456-01-000.

NOTES:

- (79W) REFRIGERATOR-4 DOOR
- (144) REFRIGERATOR-DOUBLE DOOR

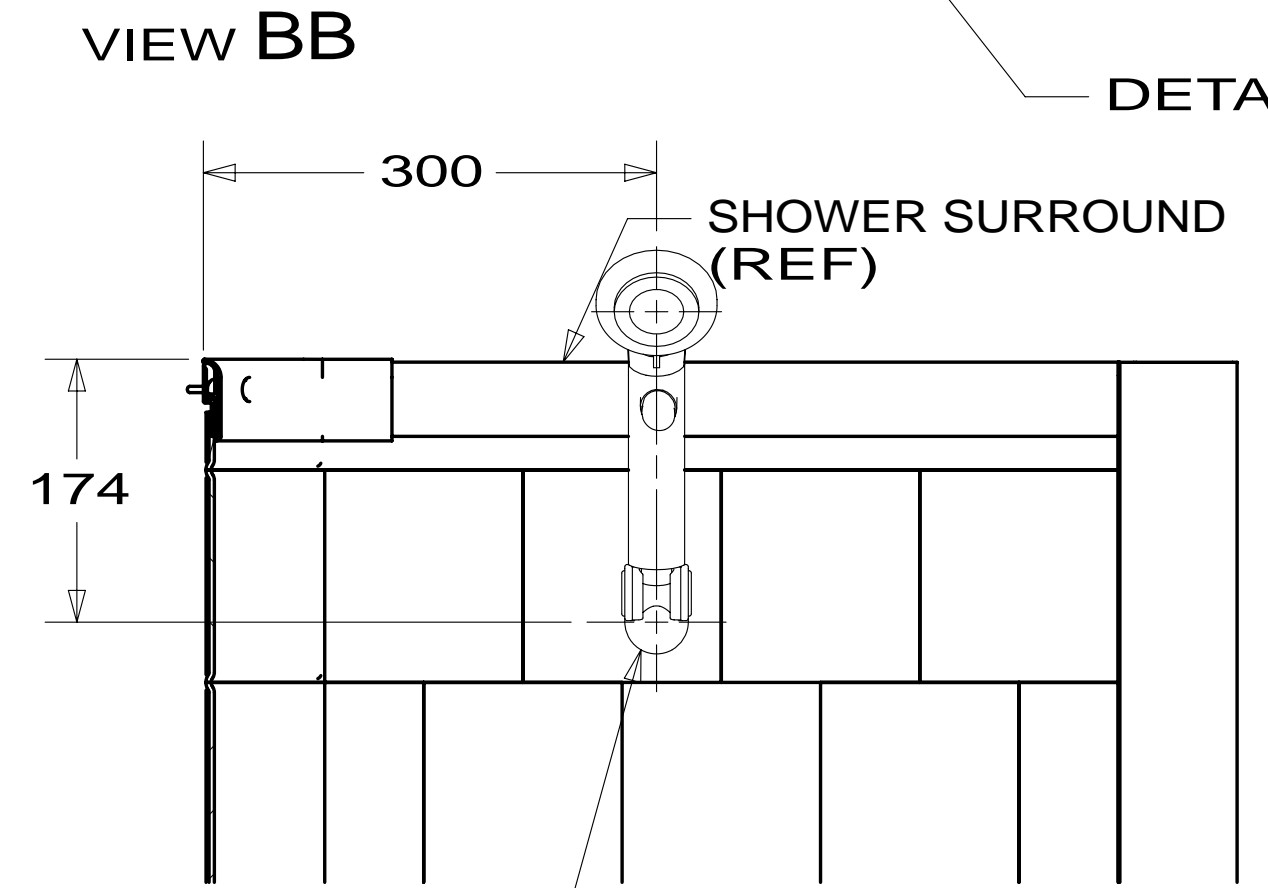
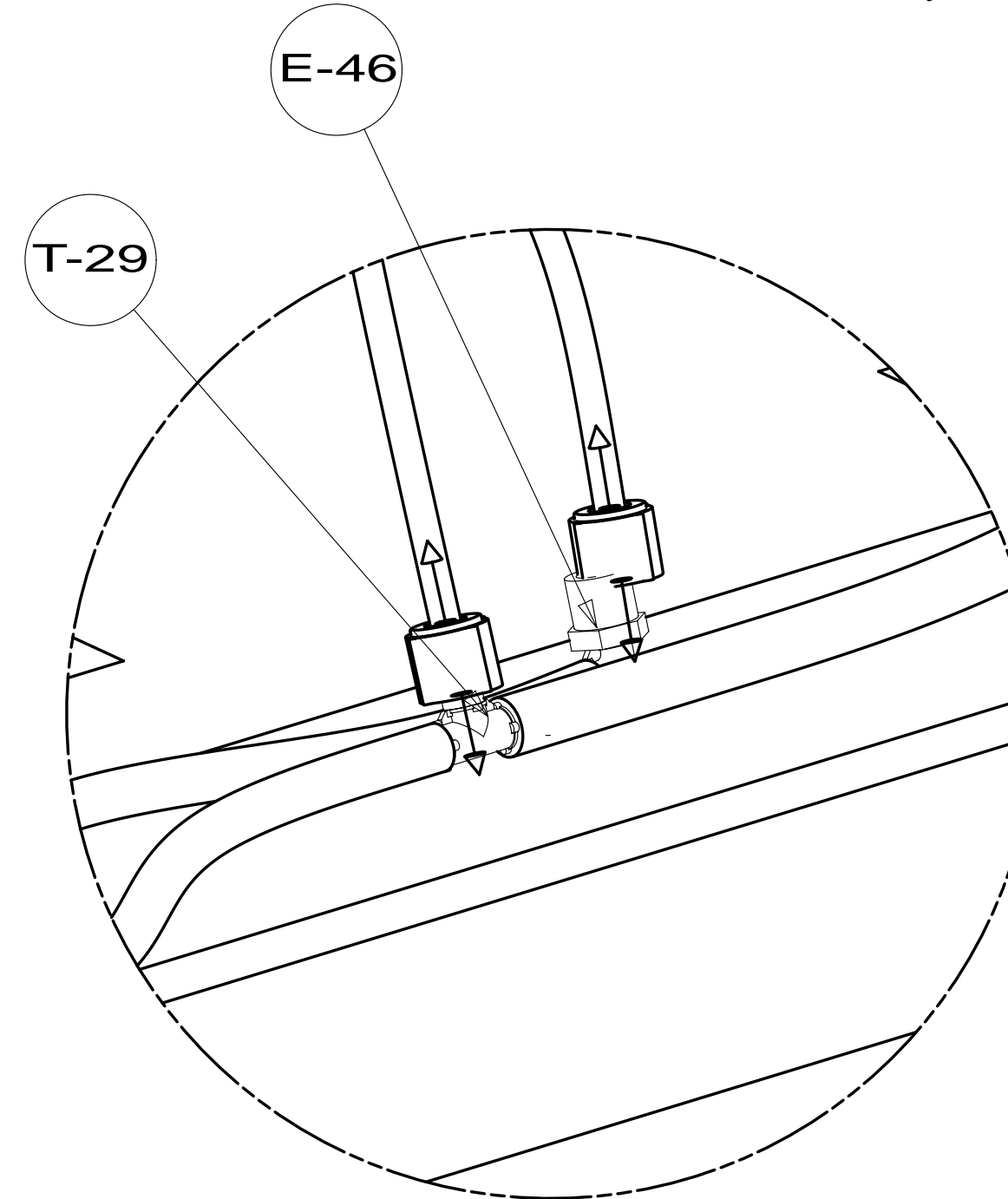
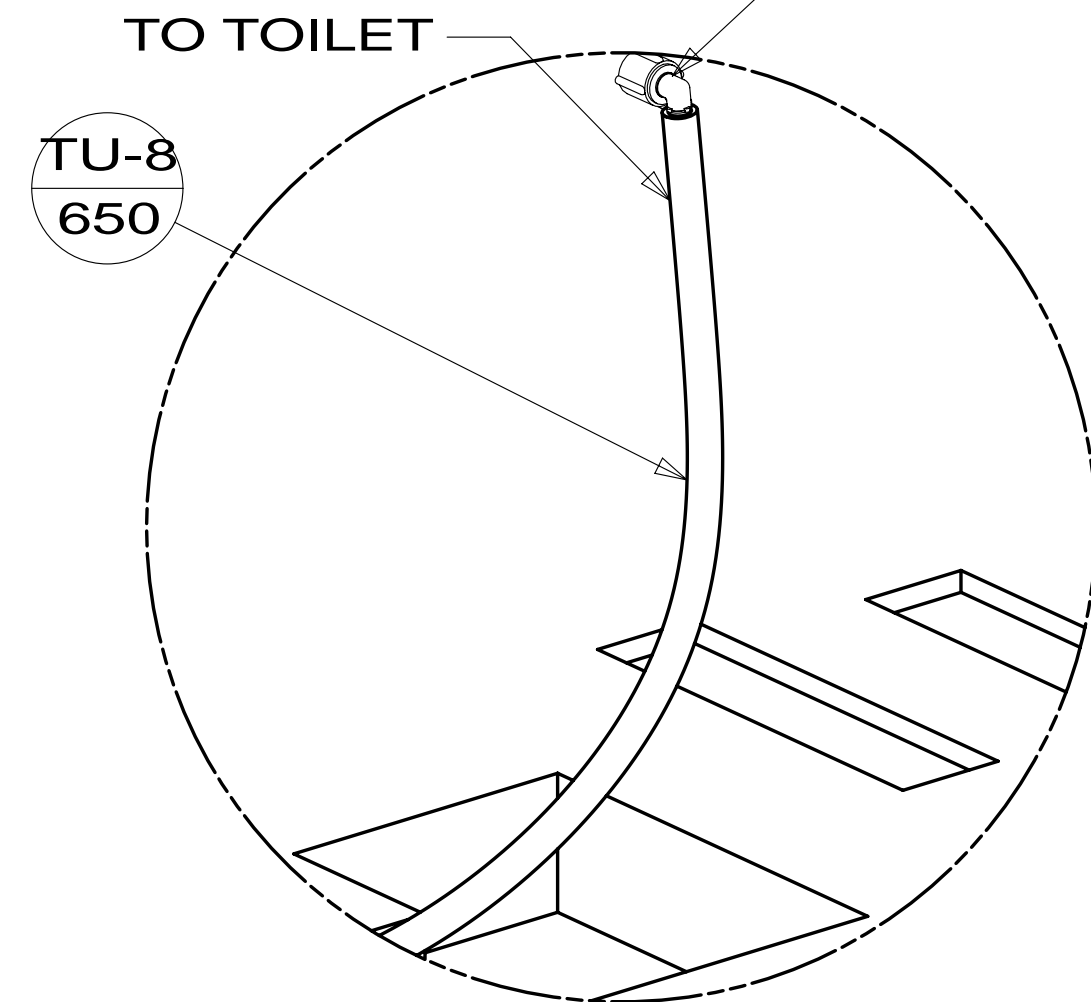
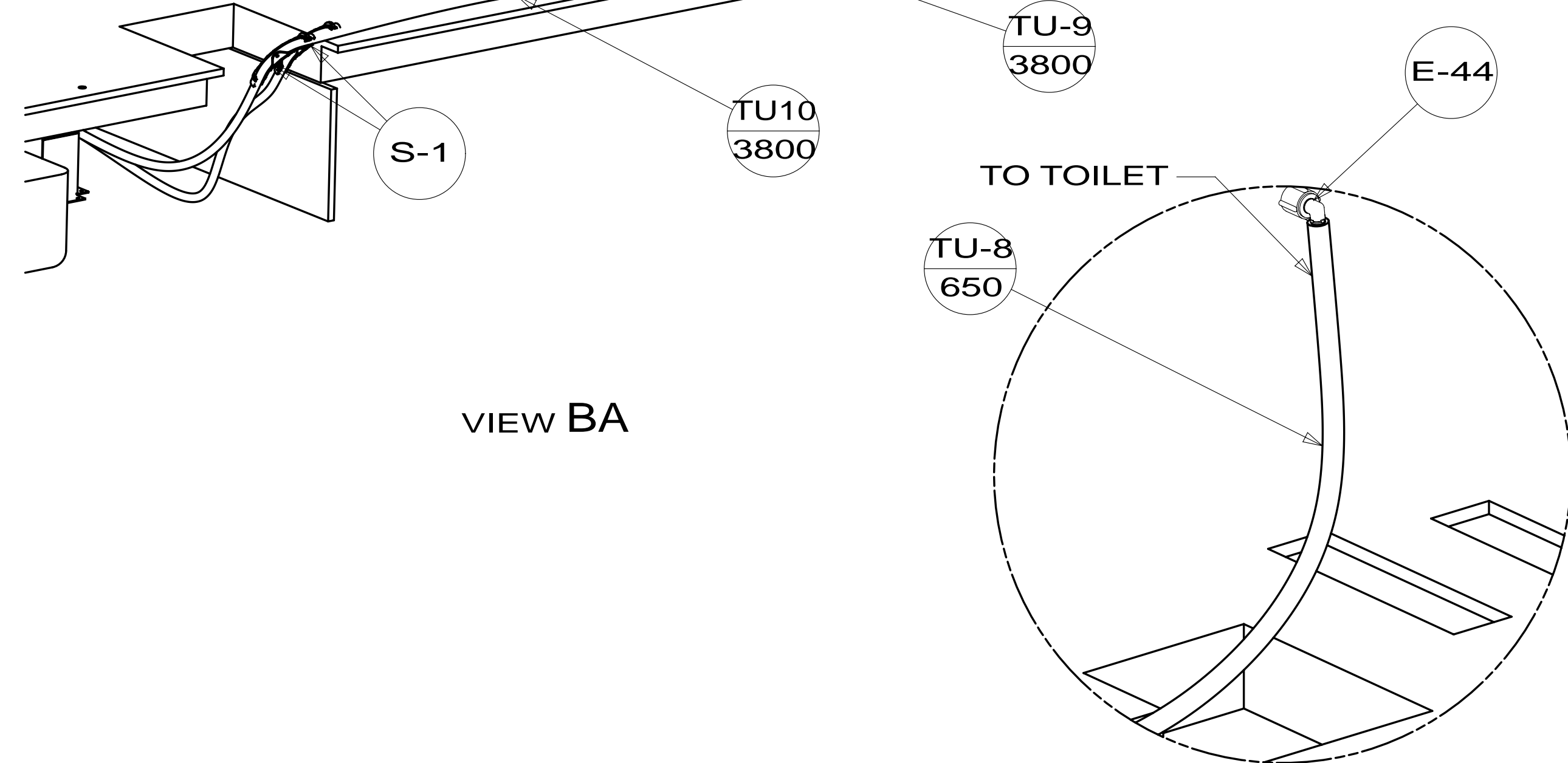
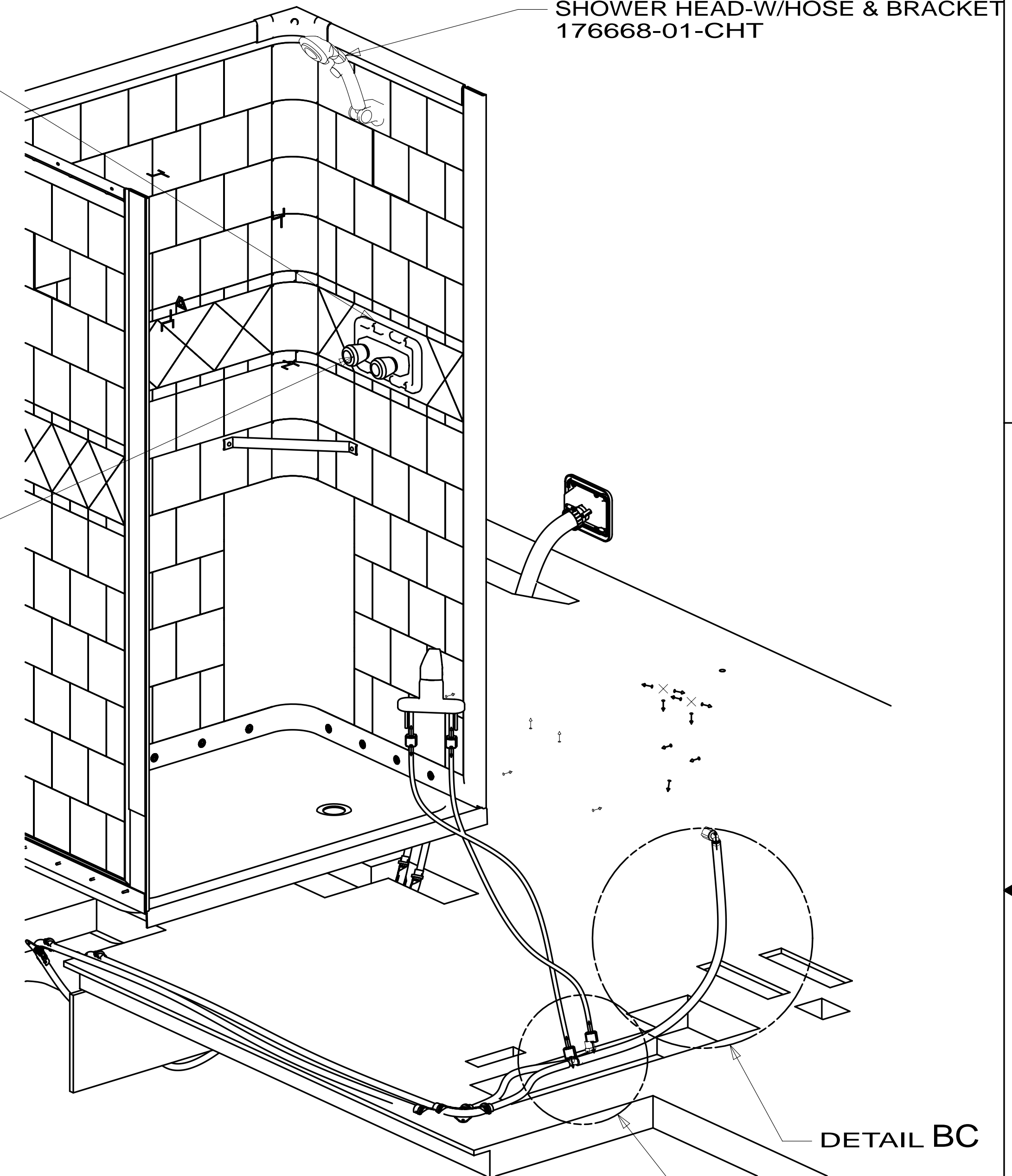
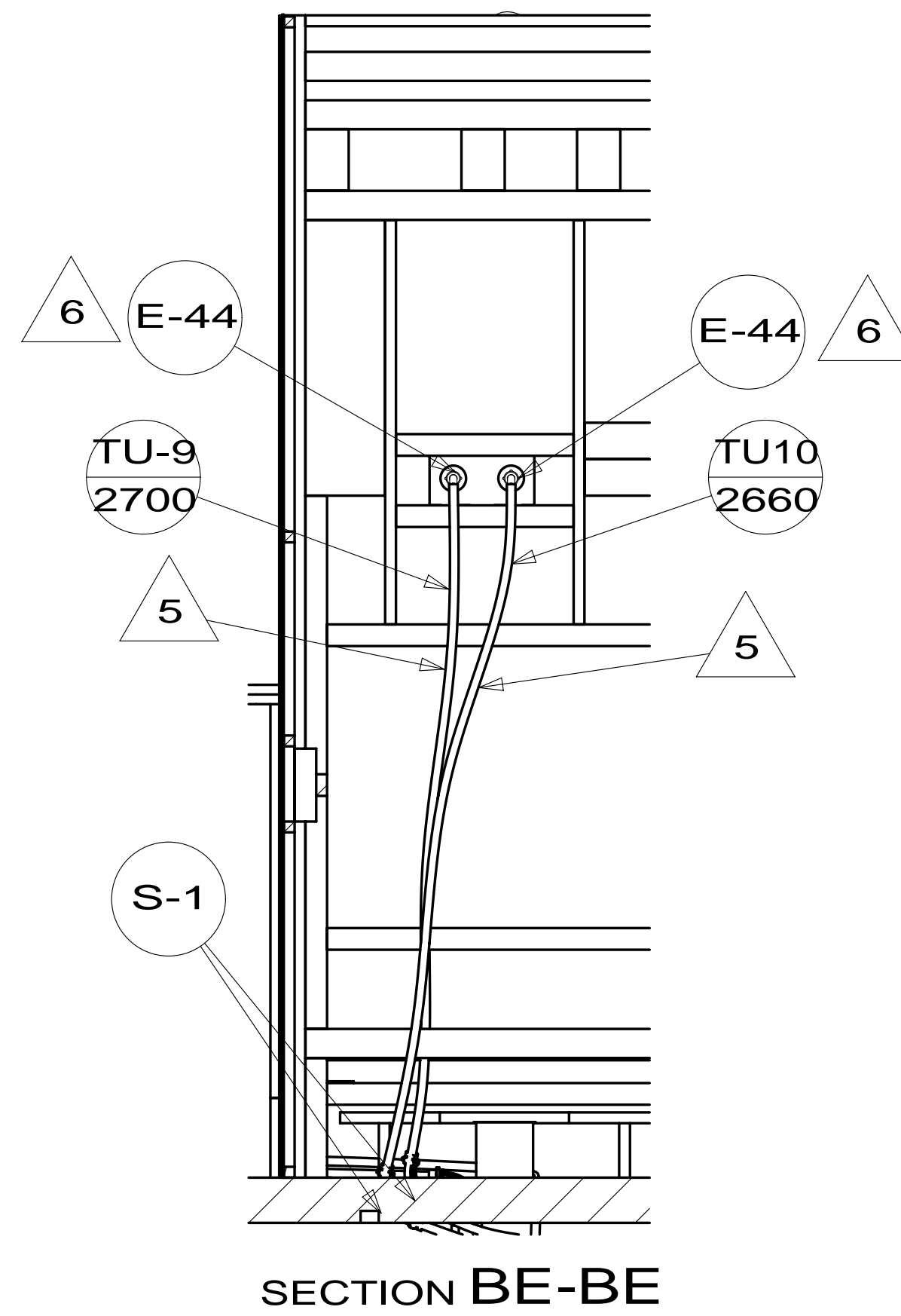
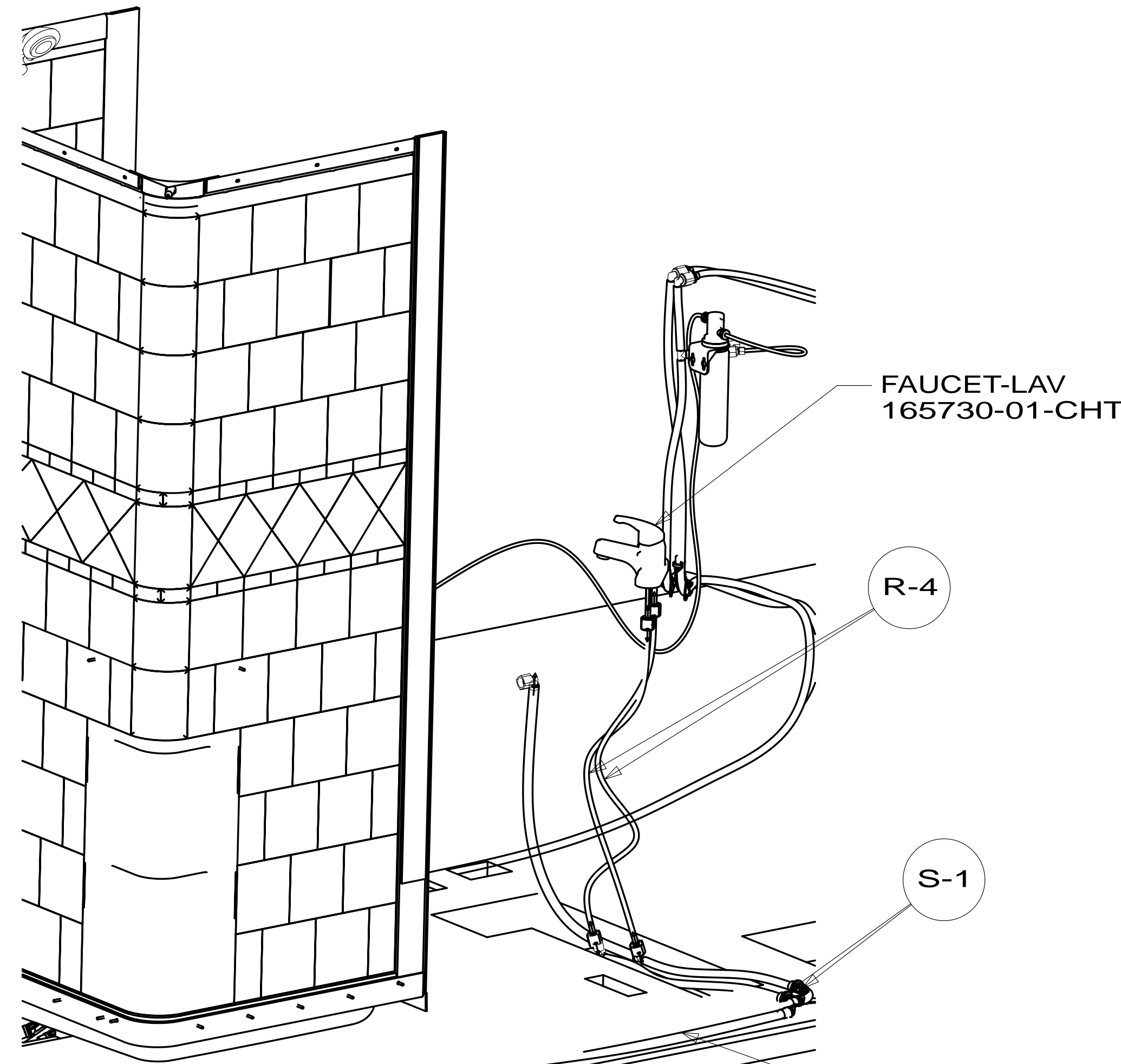
		COPYRIGHT 2012 WINNEBAGO INDUSTRIES, INC.
DTR	ORIG. DATE	
CHKR	ALL DIMENSIONS ARE IN MILLIMETERS	
P.E.		
M.E.	FIRST USED	
DSNR	13 D33C	
UNSPECIFIED TOLERANCES ARE:		MATERIAL:
WHOLE DIM (X)	: 3	
ONE-PLACE (X.X)	: 1.5	
TWO-PLACE (X.XX)	: 0.50	
ANGLE	: 1°	
THIRD ANGLE PROJECTION		
DO NOT SCALE DRAWING		REFER TO ES0018 FOR FASTENER TIGHTENING GUIDELINES
TITLE: WATER SYSTEM INSTL		
SHEET 1 OF 5	PART NO 179580	REV
REF:	1	29-Nov-2012

FOR  
WATER  
CALLOUTS  
SEE DWG NO  
116230-01-000

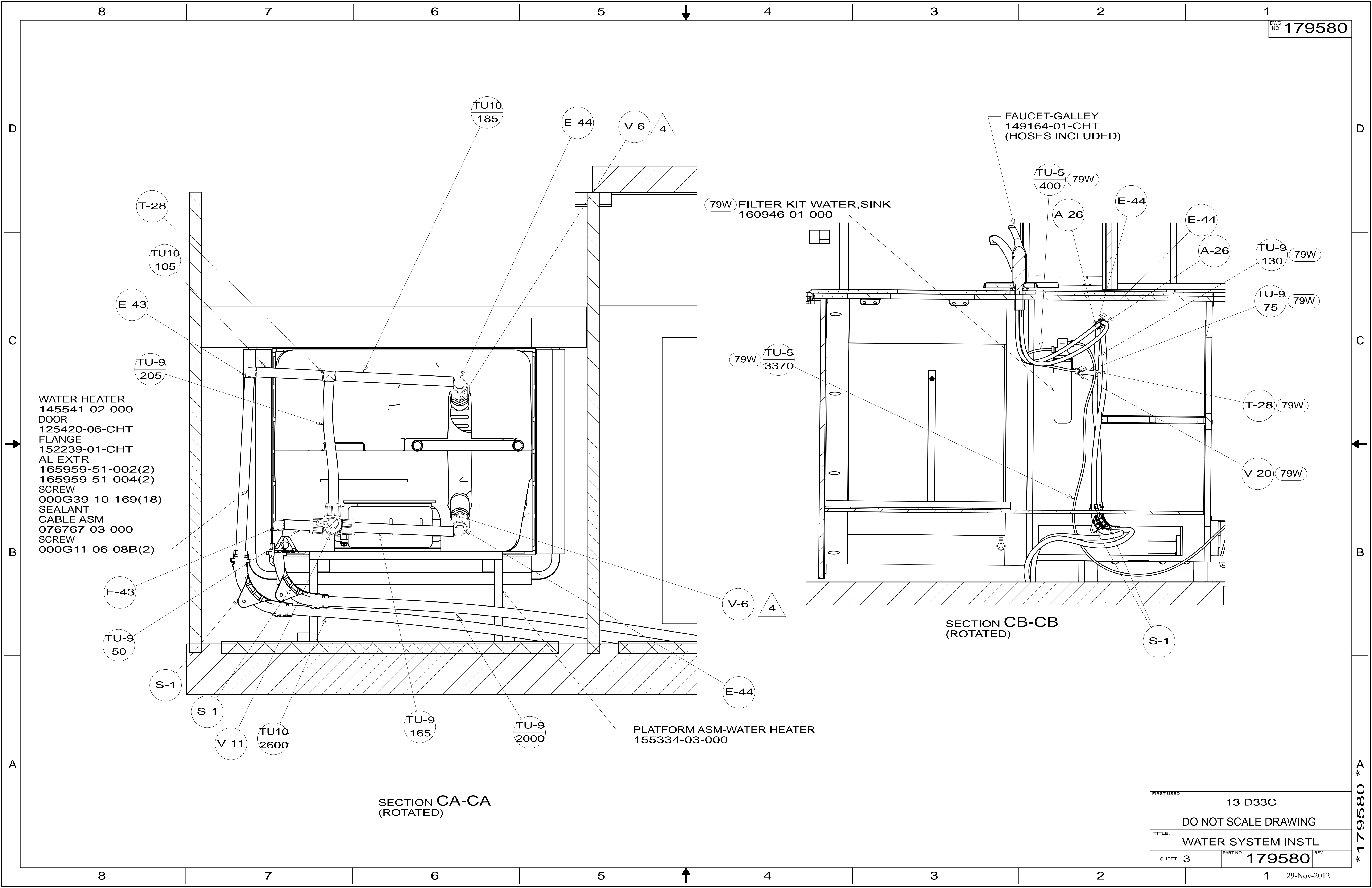
\* 179580 \* A

PANEL-SHOWER FAUCET  
167738-02-CHT

SHOWER HEAD-W/HOSE & BRACKET  
176668-01-CHT



FIRST USED	13 D33C	
TITLE:	DO NOT SCALE DRAWING	
SHEET 2	PART NO	179580
	REV	



WATER HEATER  
 145541-02-000  
 DOOR  
 125420-06-CHT  
 FLANGE  
 152239-01-CHT  
 AL EXTR  
 165959-51-002(2)  
 165959-51-004(2)  
 SCREW  
 000G39-10-169(18)  
 SEALANT  
 076767-03-000  
 CABLE ASM  
 000G11-06-08B(2)

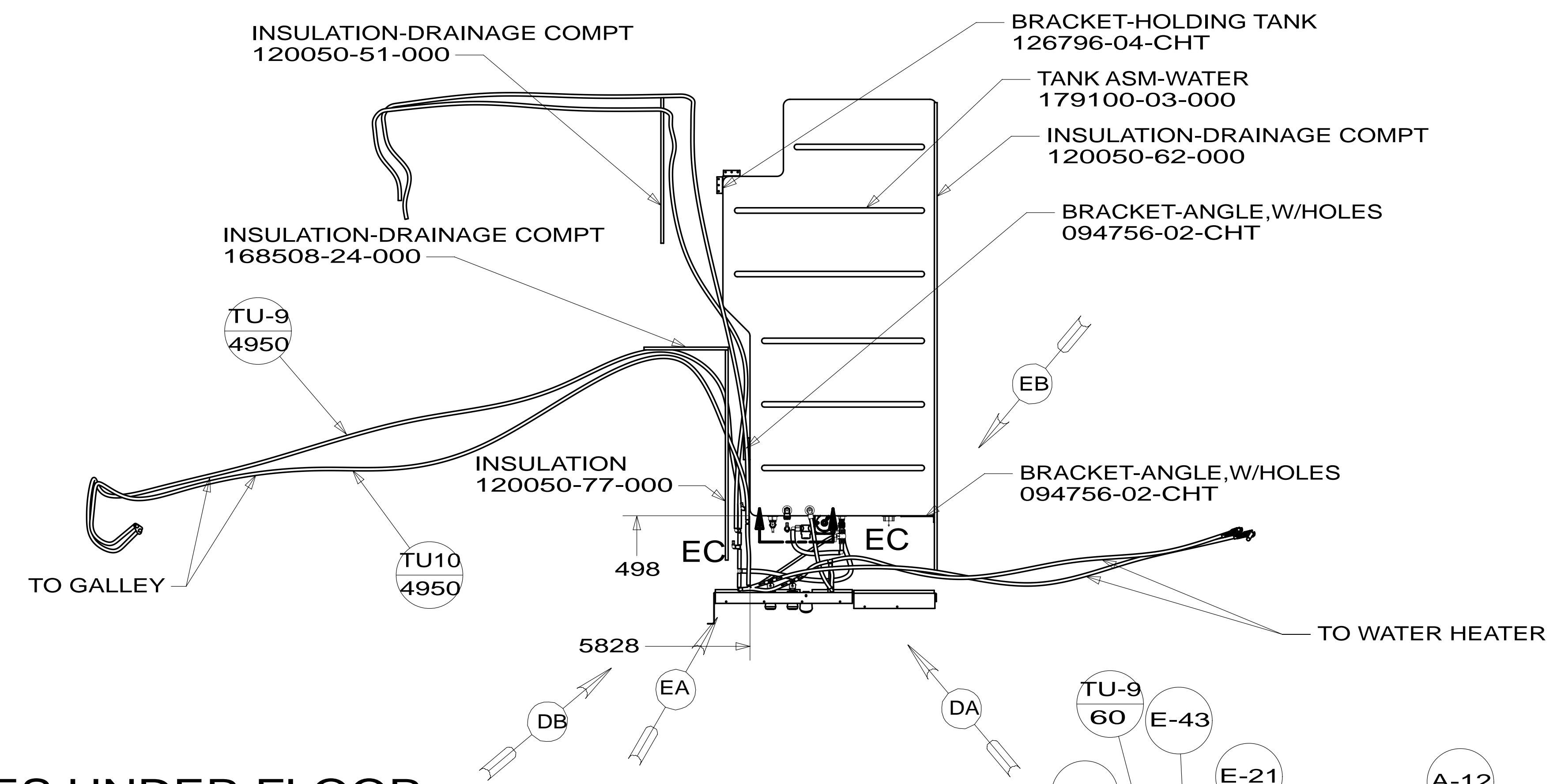
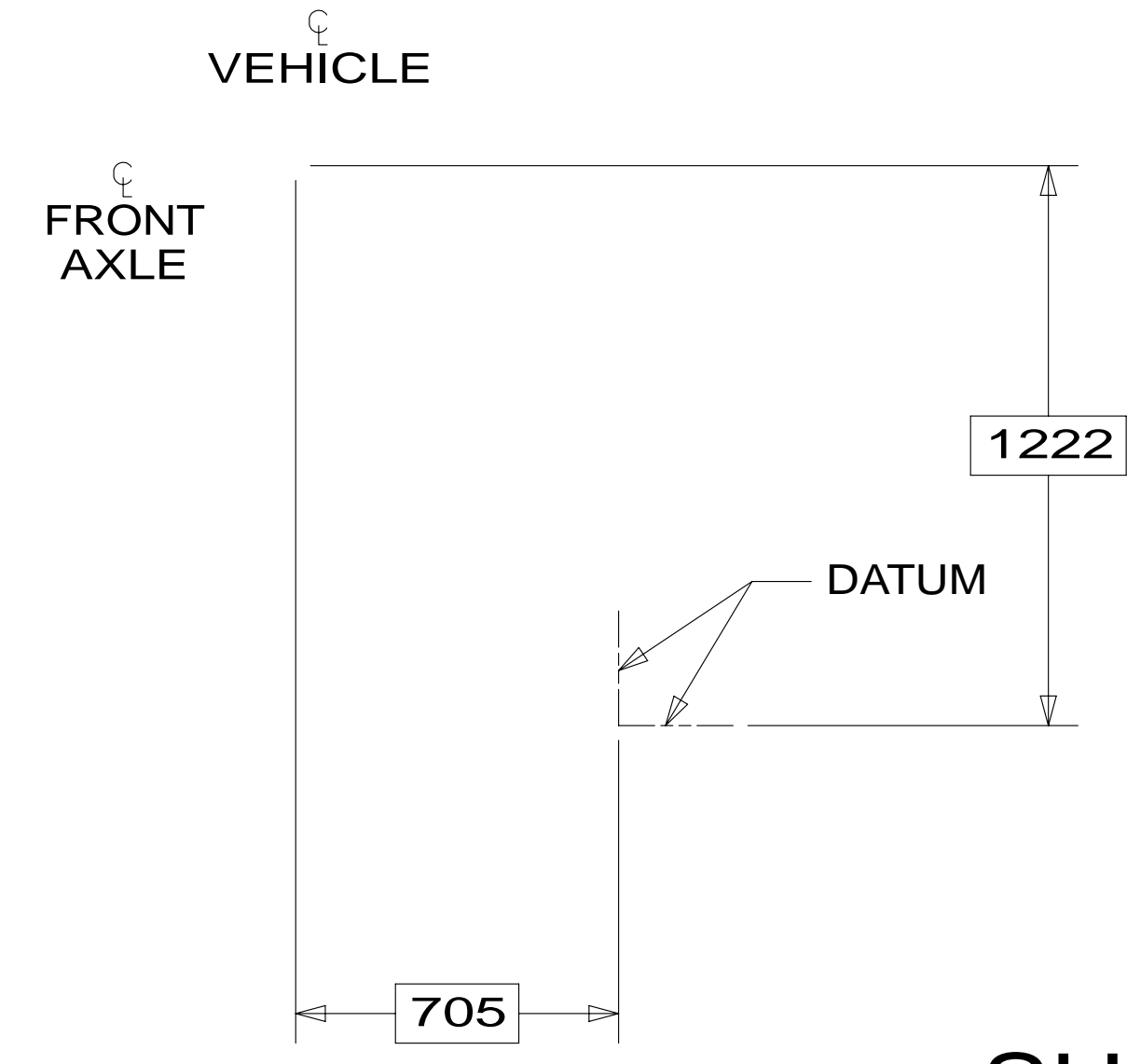
PLATFORM ASM-WATER HEATER  
 155334-03-000

SECTION CB-CB  
 (ROTATED)

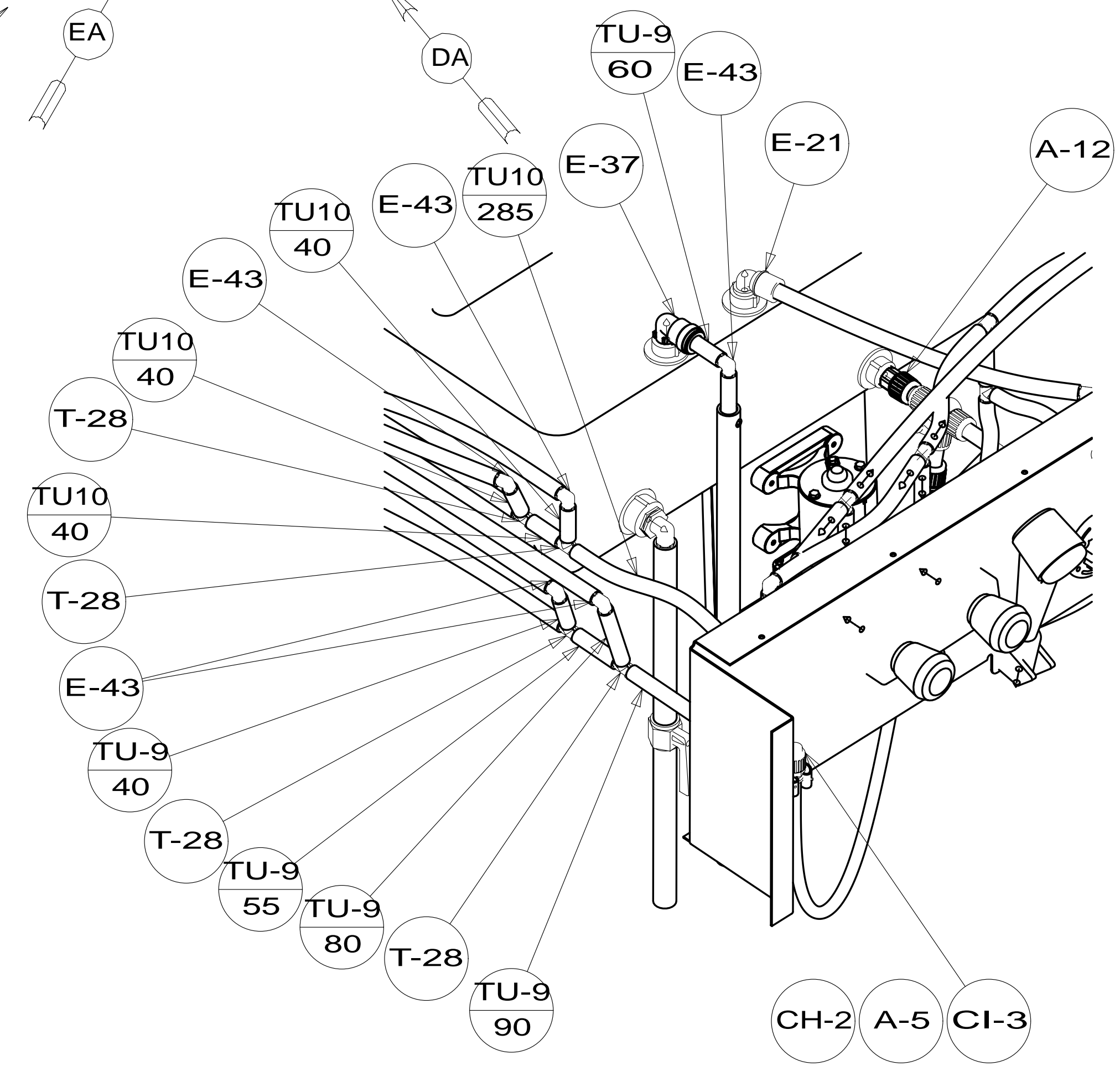
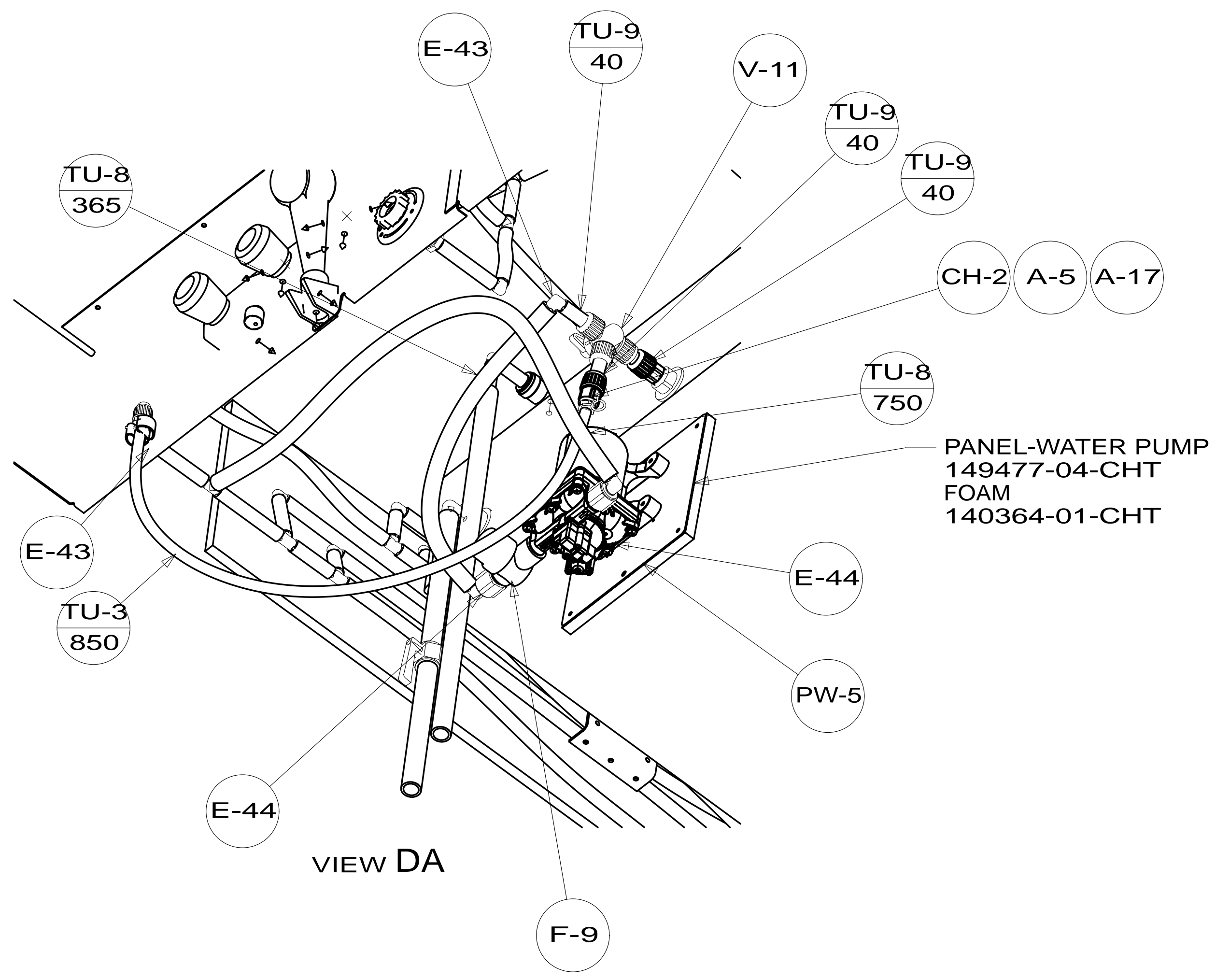
SECTION CA-CA  
 (ROTATED)

FIRST USED	13 D33C		
TITLE:	DO NOT SCALE DRAWING		
TITLE:	WATER SYSTEM INSTL		
SHEET 3	PART NO	179580	REV
			29-Nov-2012

\* 179580 \* A



SHOWING LINES UNDER FLOOR

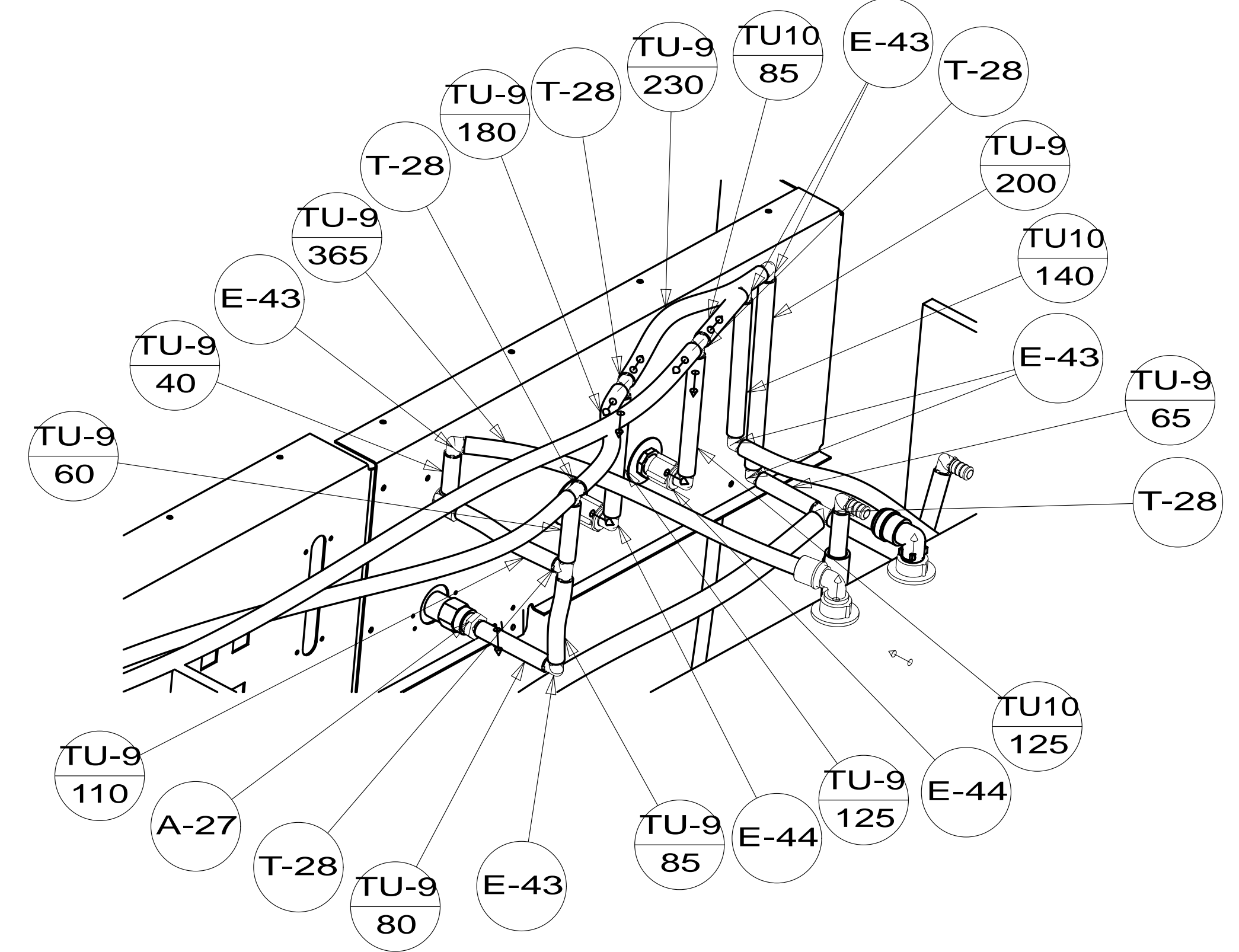
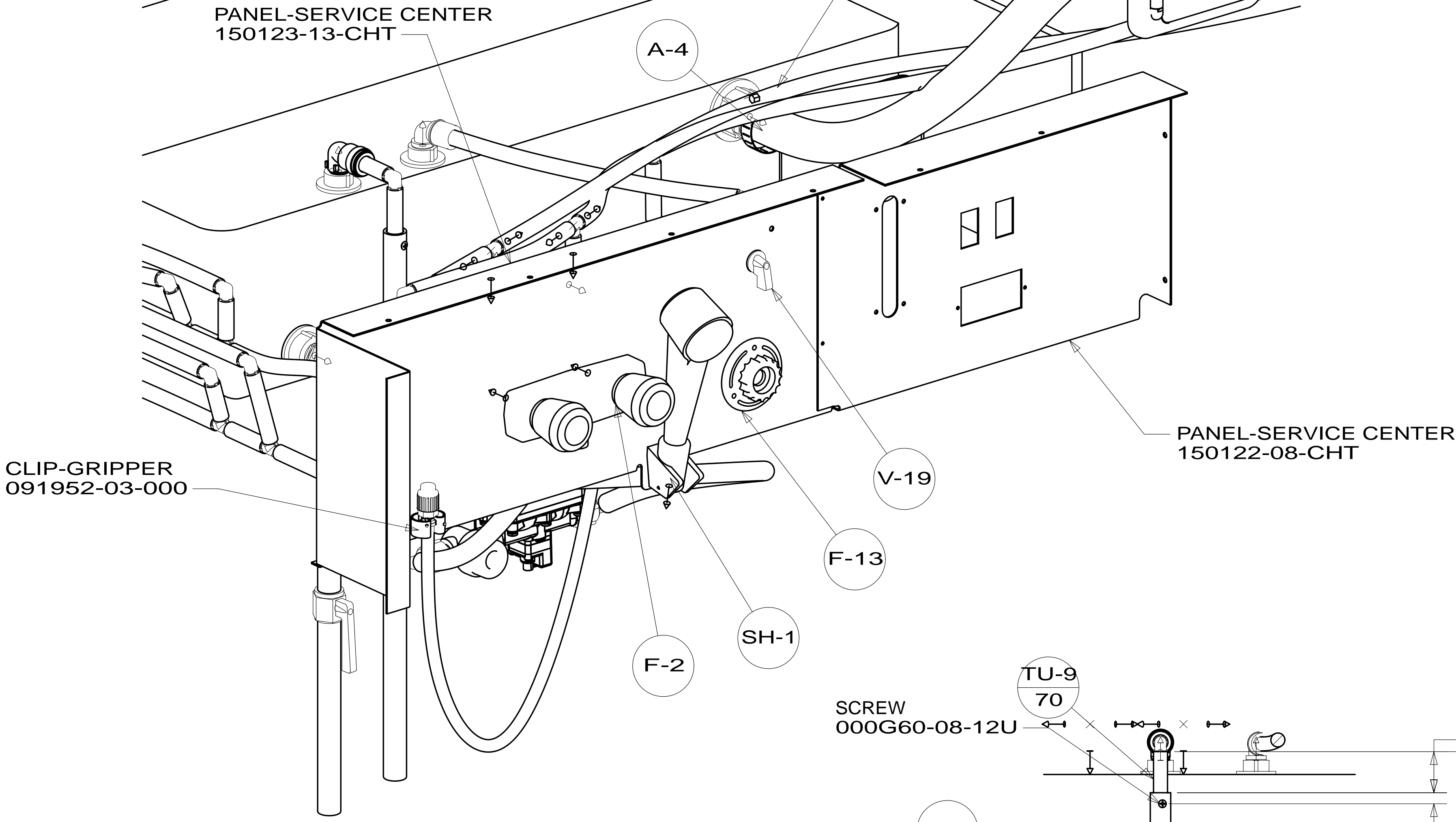


VIEW DB (SHOWN W/OUT INSULATION)

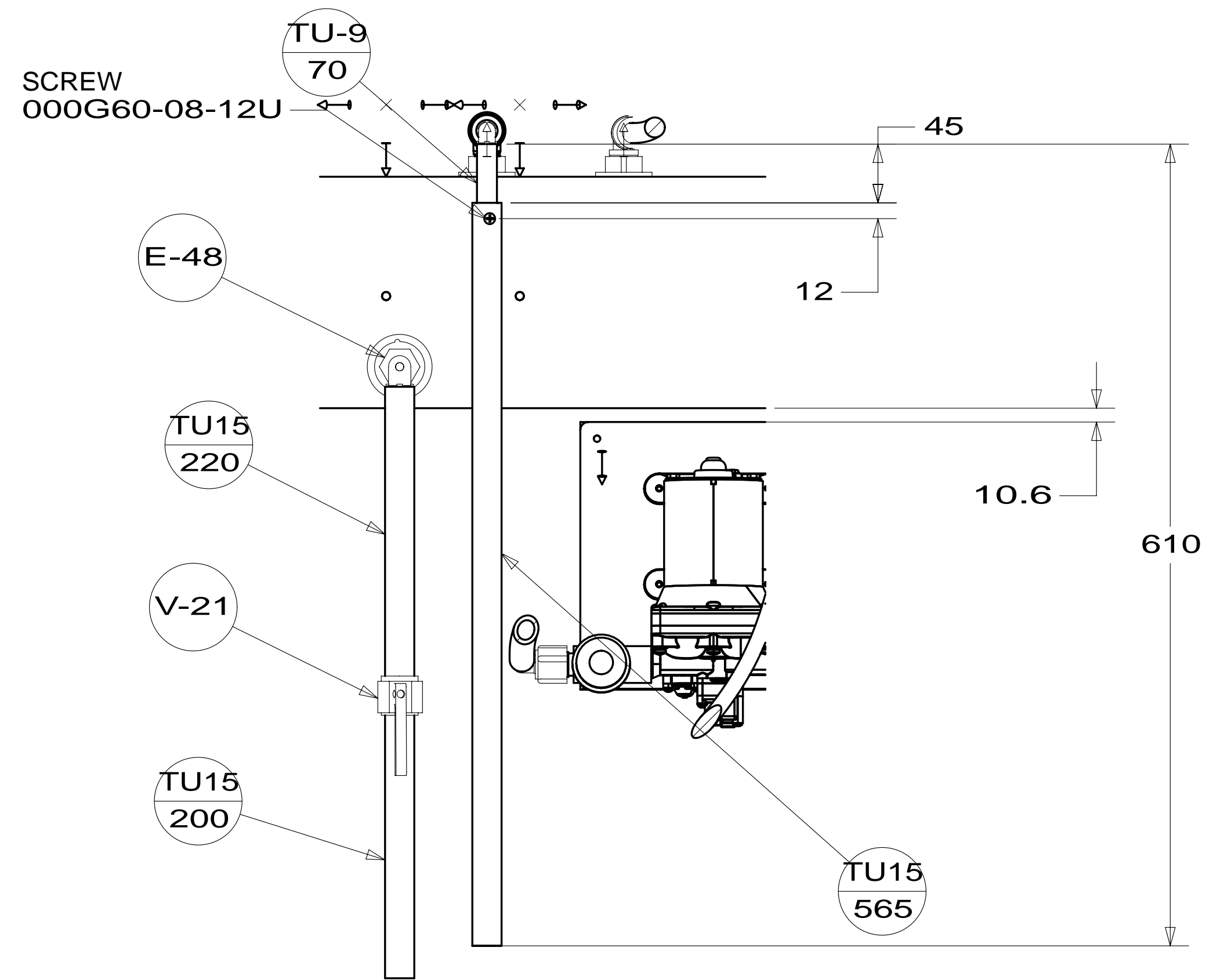
FIRST USED	13 D33C	
TITLE:	DO NOT SCALE DRAWING	
SHEET 4	PART NO 179580	REV
		29-Nov-2012

\* 179580 \* A





VIEW EB



SECTION EC-EC

VIEW EA

FIRST USED	13 D33C	
TITLE:	DO NOT SCALE DRAWING	
SHEET 5	PART NO 179580	REV
		29-Nov-2012

\* 179580 \* A