

9. SEE DRAWING 061607 FOR INSTALLATION OF GROMMETS.
8. SECURE DRAINAGE PIPES TO CABINET USING WIRE TIE 108046-02-000, AND SCREW 000G67-10-12U AT INTERVALS OF NOT OF NOT MORE THAN 4 FEET APART.
7. SECURE VENT PIPE TO FLOOR WITH CLAMP 062401-02-000 (2), SCREW 000G67-10-12U (2), BRACKET 136878-01-CHT (2).
6. VENT PIPE MUST PROJECT 51 MIN AND 64 MAX ABOVE ROOF FOR PROPER FIT AND FUNCTION. ADD S-1 (116666-01-CHT SEAL-VENT PIPE) AROUND PIPE ON ROOF BEFORE VENT CAP IS INSTALLED.
5. SEAL AROUND SHOWER WITH SILICONE.
4. USE SMOOTH PLUMBERS PUTTY 167459-01-000 TO SEAL STRAINER (0.2 PER STRAINER).
3. ALL PIPE AND FITTINGS TO BE ASSEMBLED WITH SOLVENT 004020-01-000 (USA), 004020-02-000 (CAN)
2. SLOPE OF TRAP ARM MUST BE 6 PER 305 mm.
1. SLOPE OF HORIZONTAL PIPING TO BE MINIMUM OF 3 PER 305 mm.

NOTES:

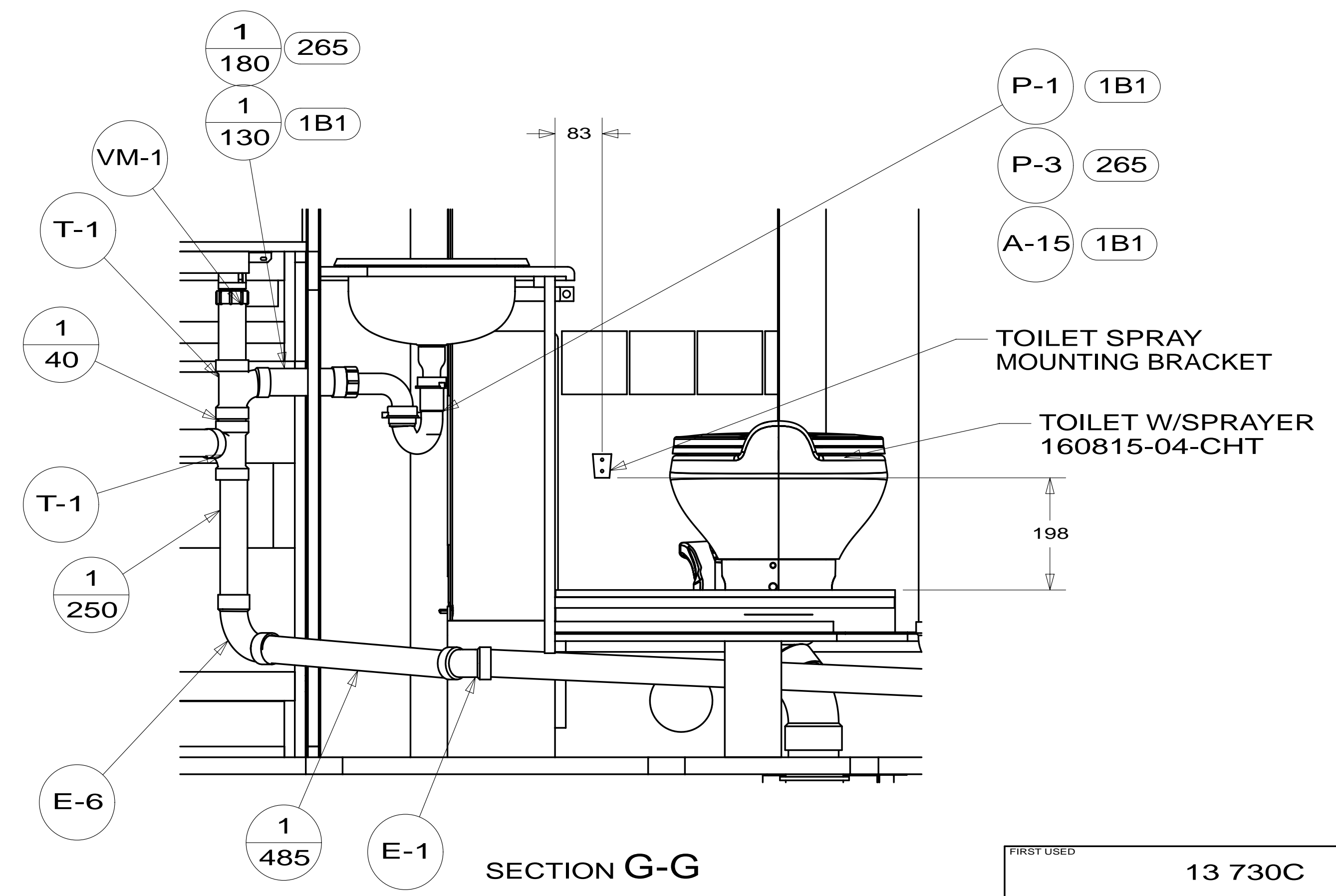
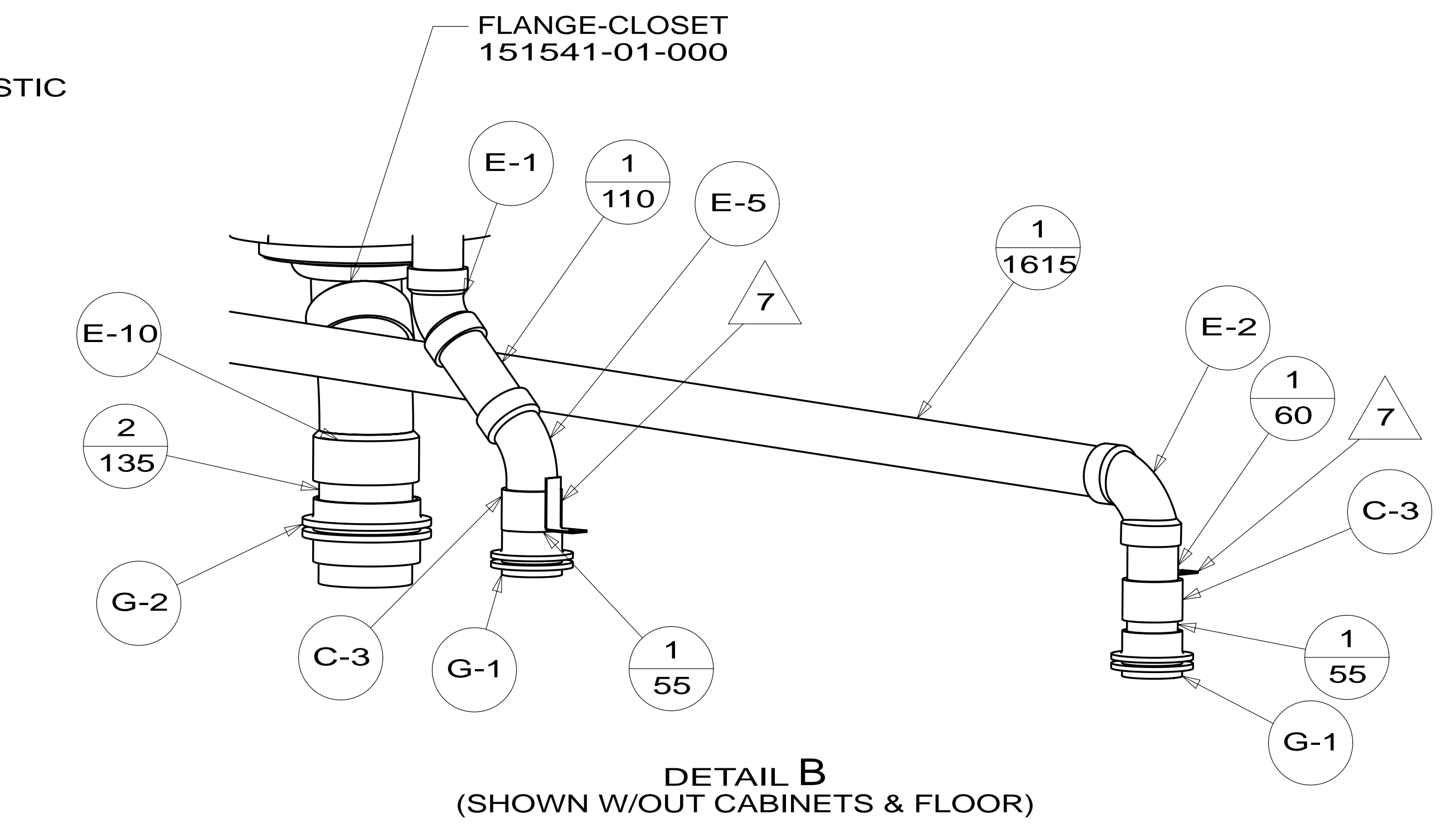
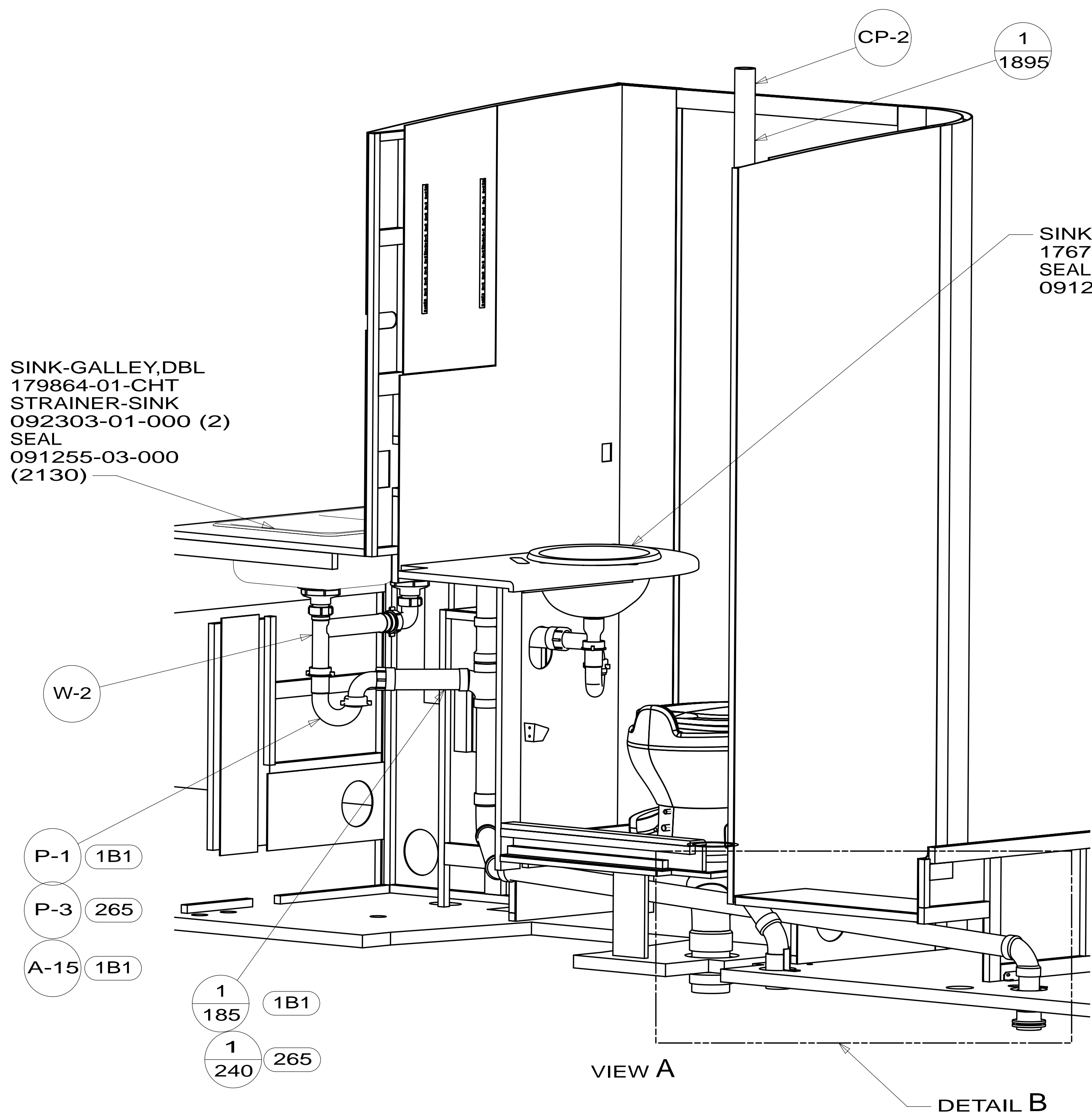
FOR DRAINAGE CALLOUTS SEE DWG NO 116229-01-000

		COPYRIGHT 2012 WINNEBAGO INDUSTRIES, INC.	
DFT-ORIG	ORIG. DATE	ALL DIMENSIONS ARE IN MILLIMETERS	
CHKR			
P.E.			
M.E.	FIRST USED	13 730C	
DSNR			
UNSPECIFIED TOLERANCES ARE:		MATERIAL:	
WHOLE DIM (X)	: 3		
ONE-PLACE (X.X)	: 1.5		
TWO-PLACE (X.XX)	: 0.50		
ANGLE	: 1°		
THIRD ANGLE PROJECTION			
DO NOT SCALE DRAWING		REFER TO ES0018 FOR FASTENER TIGHTENING GUIDELINES	
TITLE: DRAINAGE SYSTEM INSTL			
SHEET 1 OF 5	PART NO	181115	REV
REF:	1	21-Aug-2012	

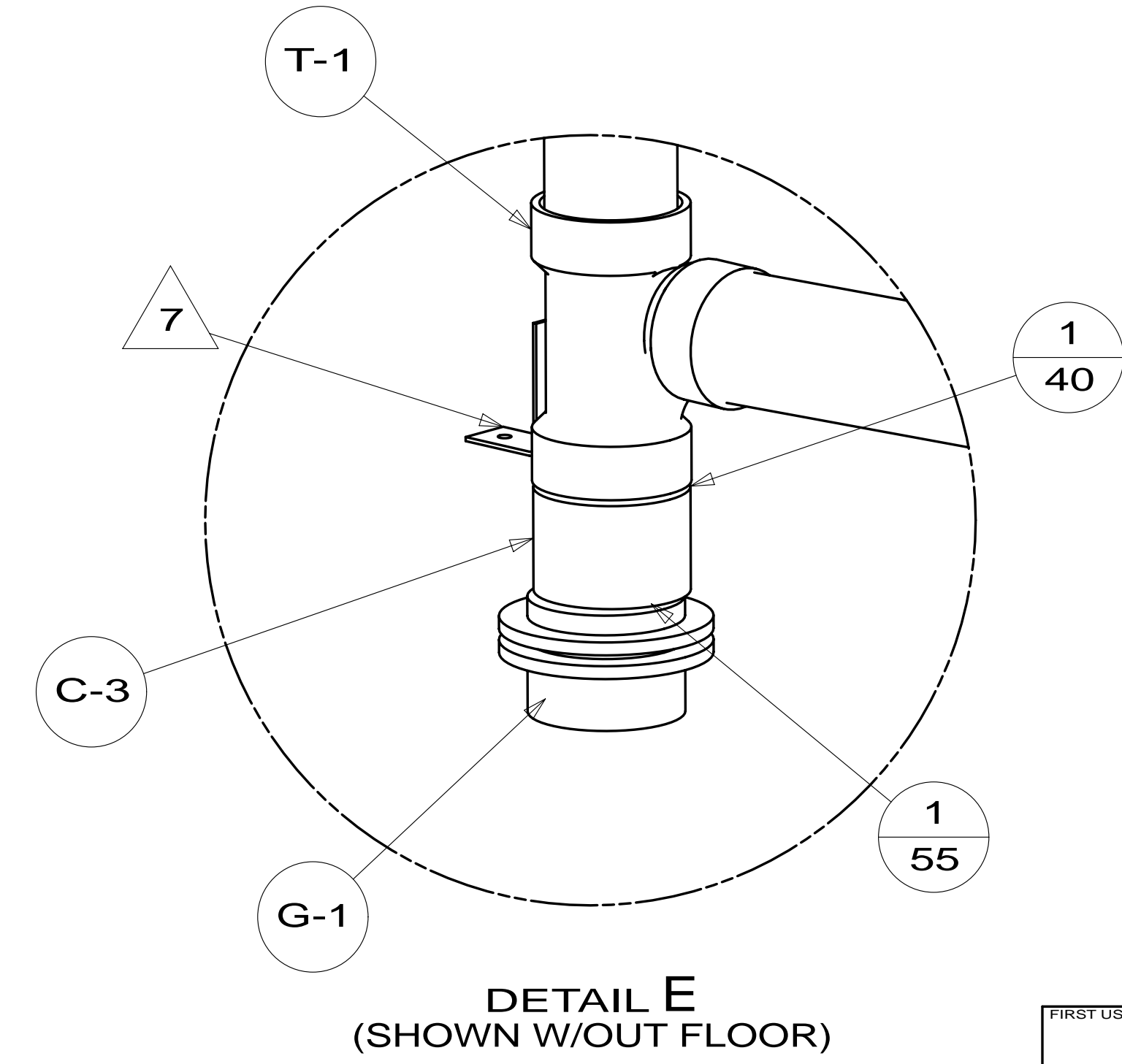
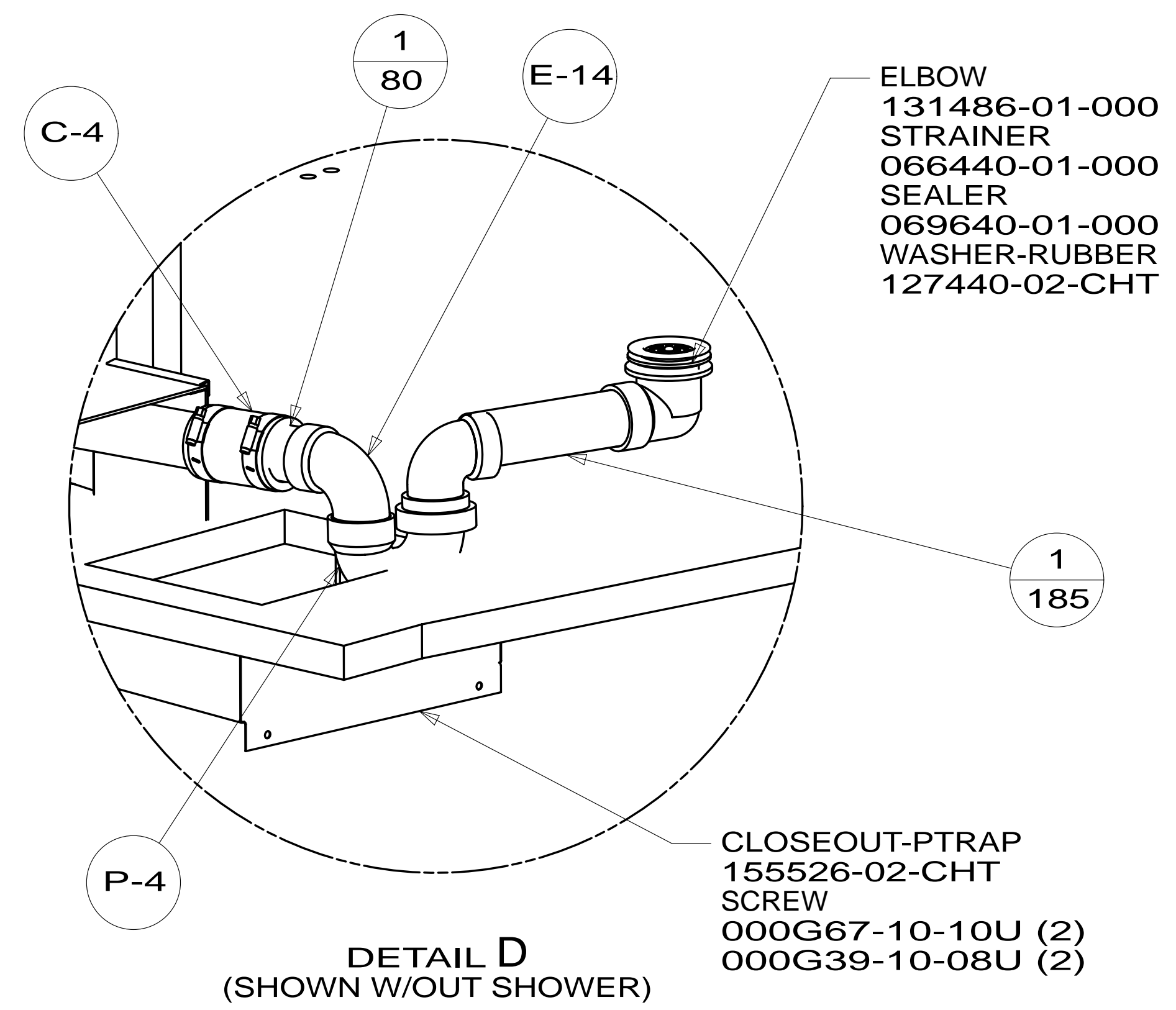
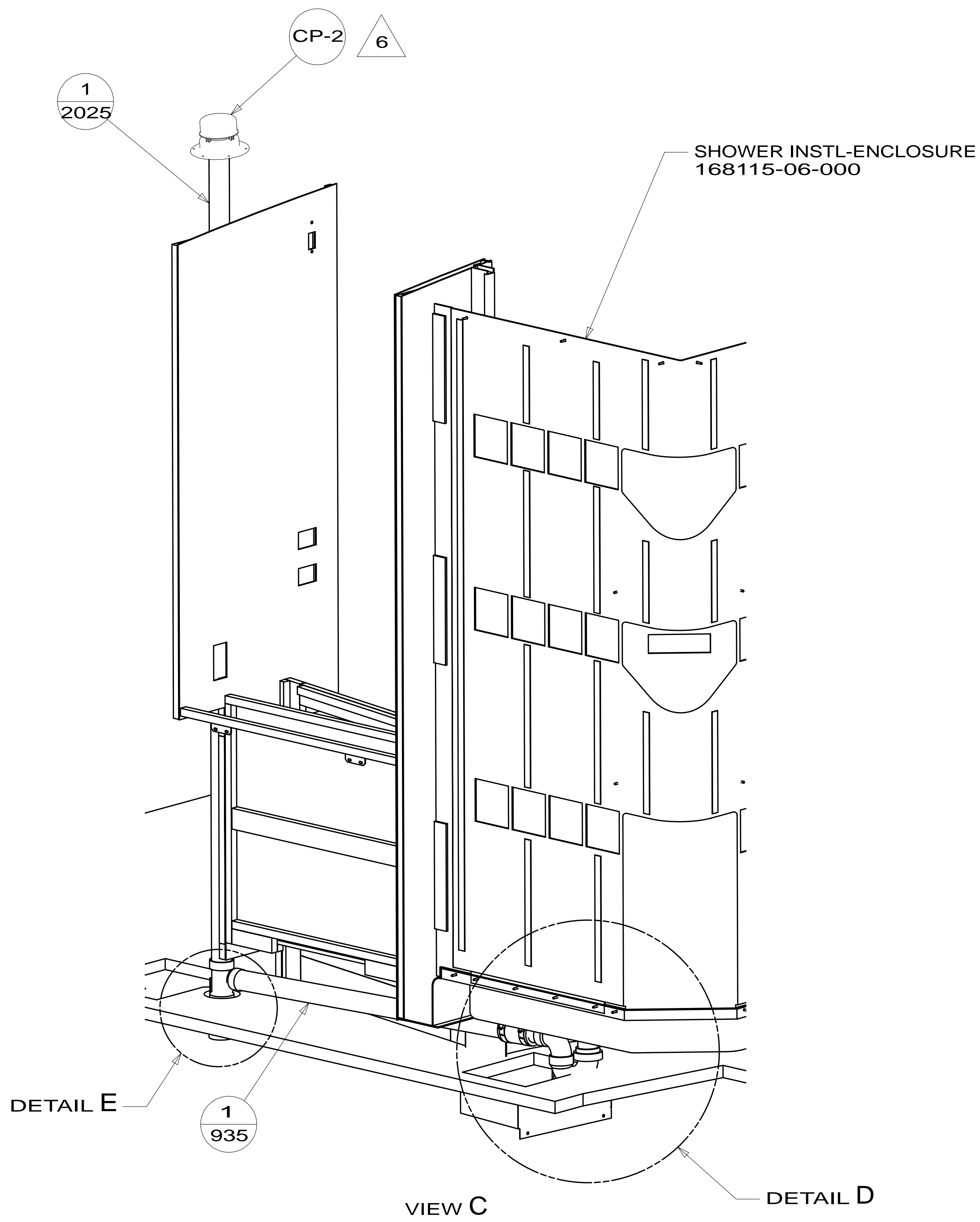
SINK-GALLEY, DBL
179864-01-CHT
STRAINER-SINK
092303-01-000 (2)
SEAL
091255-03-000
(2130)

SINK-OVAL, PLASTIC
176795-01-CHT
SEAL
091255-02-000

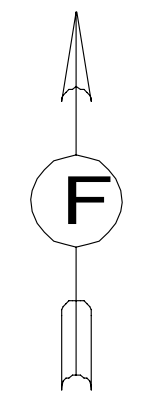
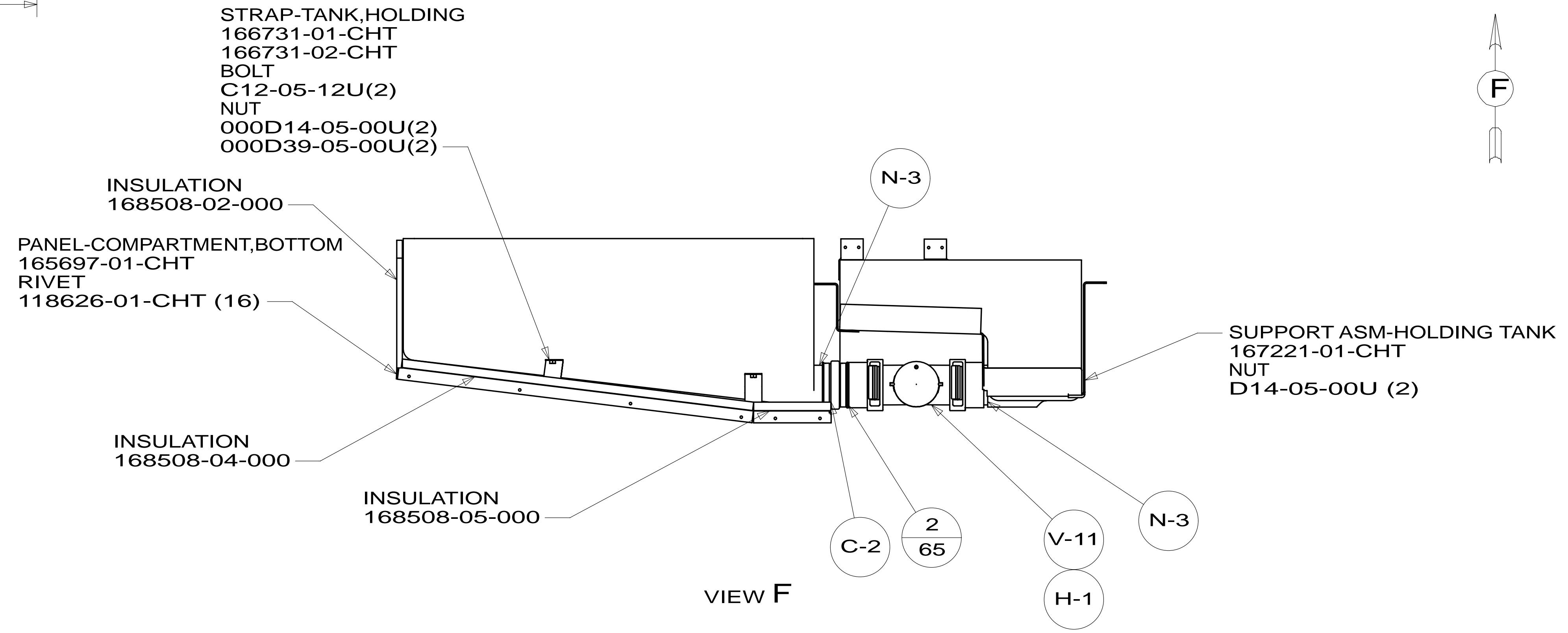
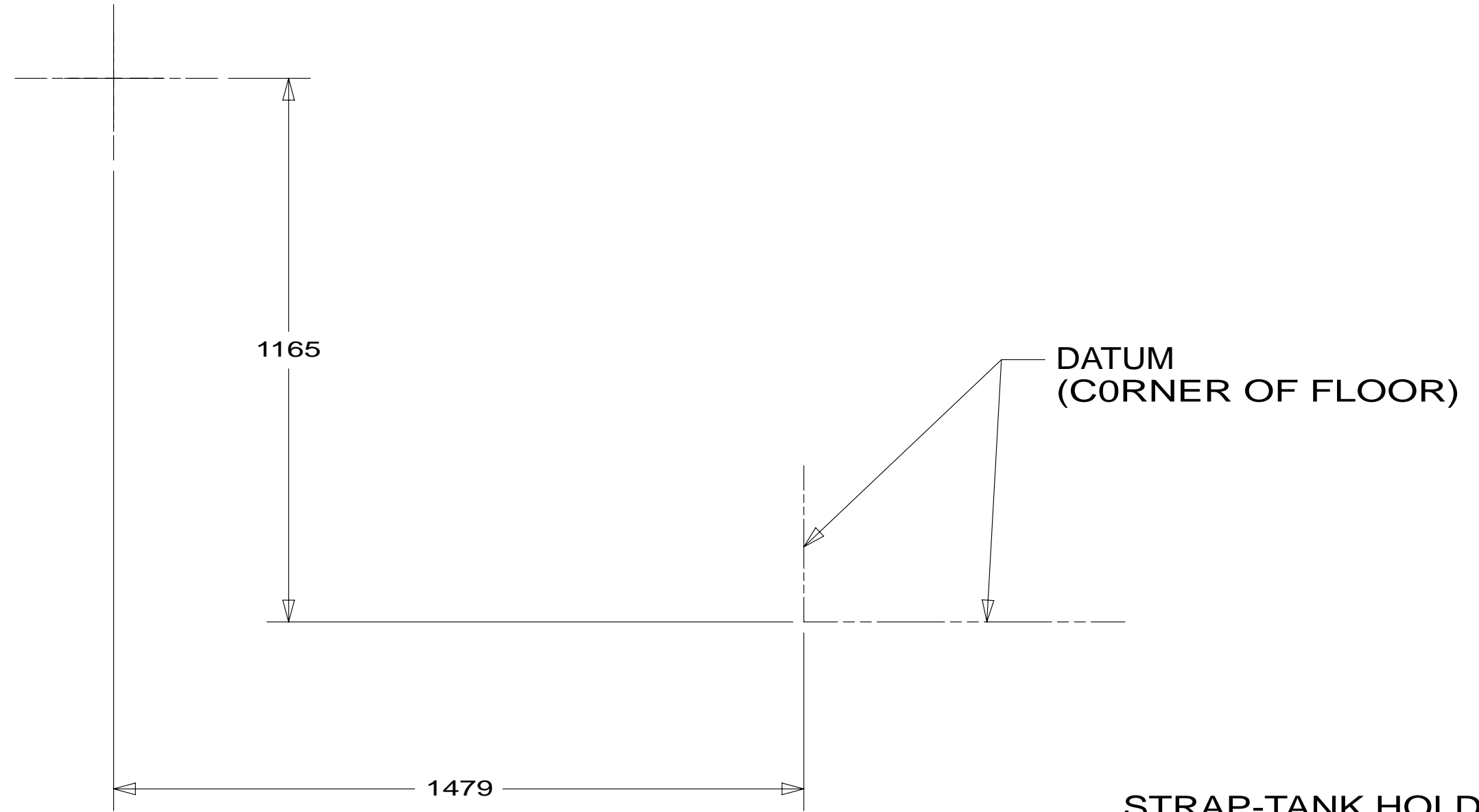
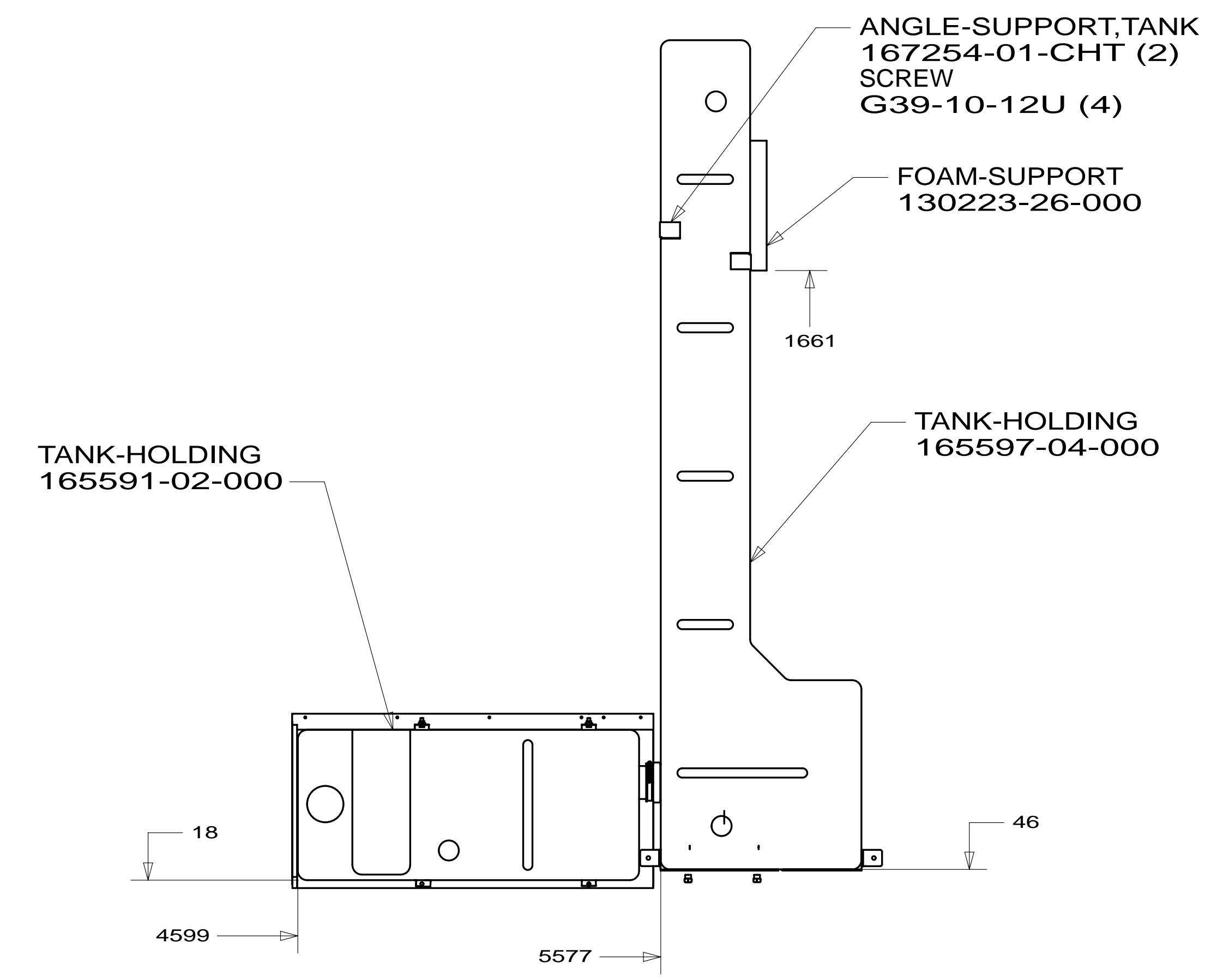
FLANGE-CLOSET
151541-01-000



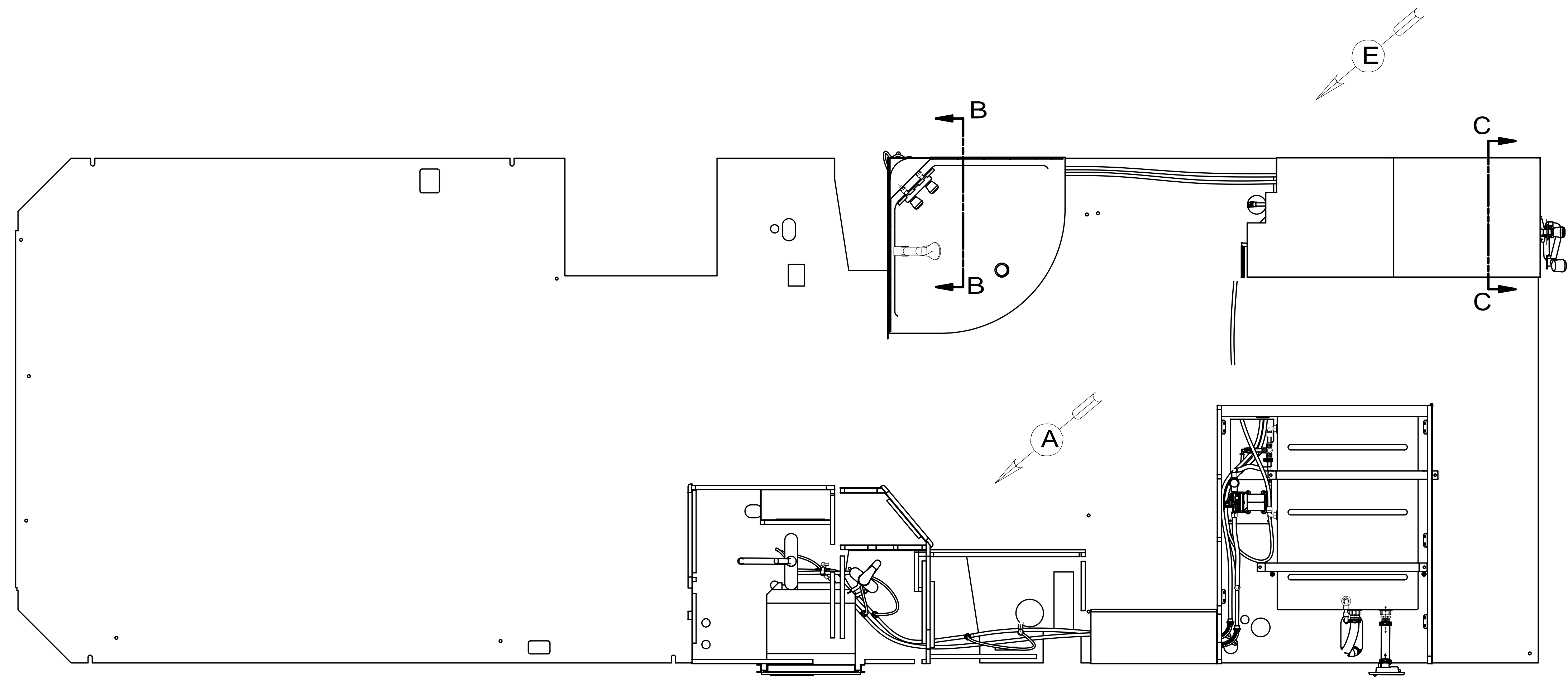
FIRST USED	13 730C	
DO NOT SCALE DRAWING		
TITLE: DRAINAGE SYSTEM INSTL		
SHEET 2	PART NO 181115	REV
		21-Aug-2012



FIRST USED	13 730C	
DO NOT SCALE DRAWING		
TITLE: DRAINAGE SYSTEM INSTL		
SHEET 3	PART NO 181115	REV
		1 21-Aug-2012



FIRST USED	13 730C	
DO NOT SCALE DRAWING		
TITLE: DRAINAGE SYSTEM INSTL		
SHEET 4	PART NO 181115	REV
		1 21-Aug-2012



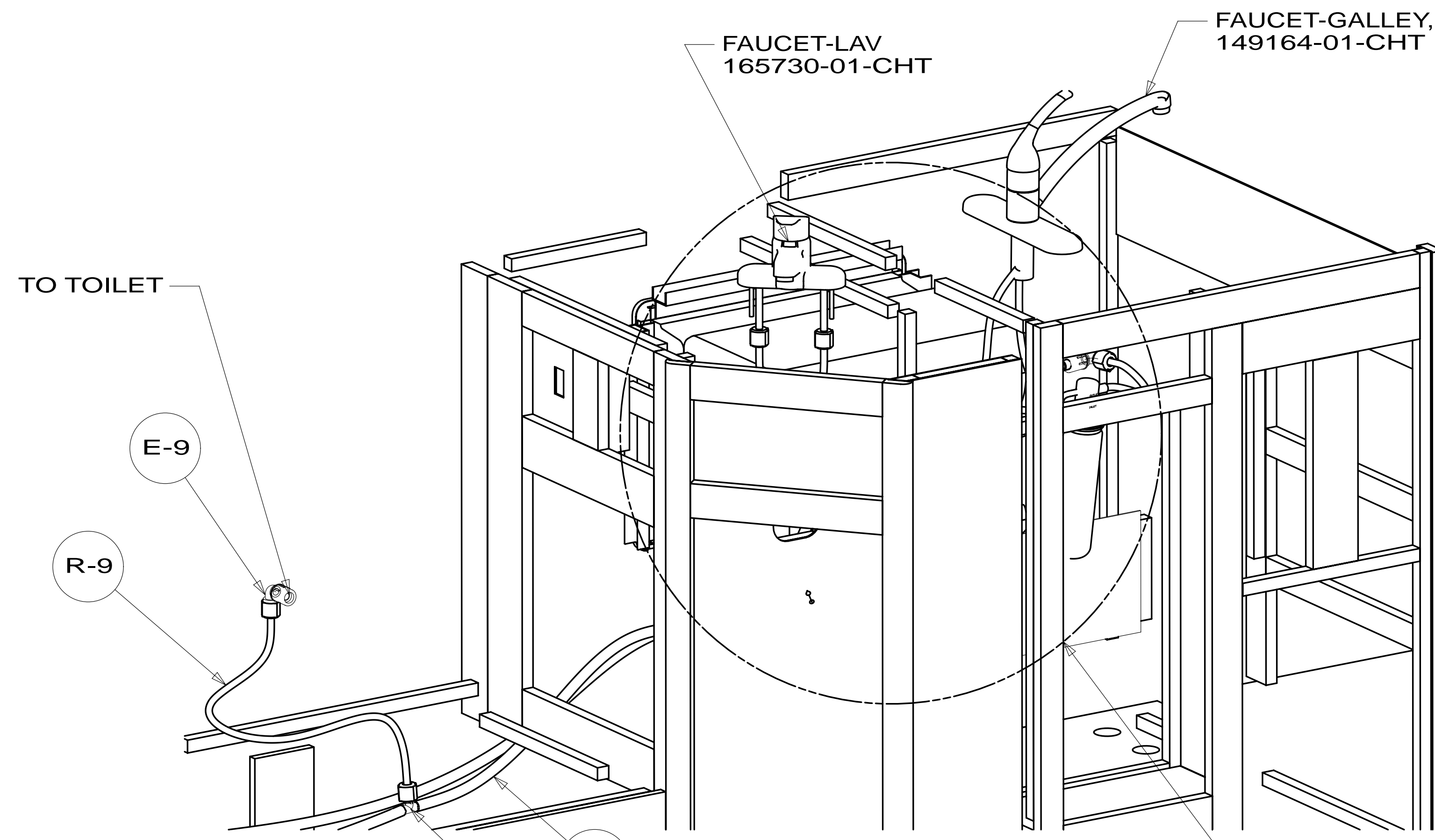
- 29B WATER PURIFIER
- 501 WATER PURIFIER WITHOUT
- 64R EXTERIOR WASH STATION
- IJ4 EXT WASH STATION-WITHOUT
- 53B WTR HTR-6 GAL ELECTRIC/LP GAS
- 53F WATER HEATER-ELEC.IGNITION
- 54E WATER SYS WINTERIZATION PKG

- NOTES:
9. SEAL VENT HOLE IN DOOR W/SILICONE SEALANT.
 8. ALL CRIMP FITTINGS TO 1/2" PEX TUBING REQUIRE 1/2" CLAMP 140171-03-000.
 7. ALL CRIMP FITTINGS TO 5/8" PEX TUBING REQUIRE 5/8" CLAMP 140171-04-000.
 6. LABEL HOT AND COLD SUPPLY TUBES AND TAPE FITTING TO TUBE BEFORE CABINET SET TO PREVENT MOVEMENT.
 5. ADD PIPE WRAP (LADDER SCRAP 110157-02-000) INSULATION.
 4. ADD TEFLON TAPE 010405-02-000.
 3. ALL TUBING TO BE SECURED AT 1200 INTERVALS MAXIMUM WITH CLAMP 010495-01-000 AND SCREW 000G67-10-12U OR EQUIVALENT.
 2. TUBING TO BE INSTALLED WITH SUFFICIENT SLOPE TO PROVIDE DRAINAGE TO NEAREST VALVE.
 1. PLASTIC FITTINGS TO BE SEALED WITH SEALANT 084456-01-000.

FOR WATER CALLOUTS SEE DWG NO 116230-01-000

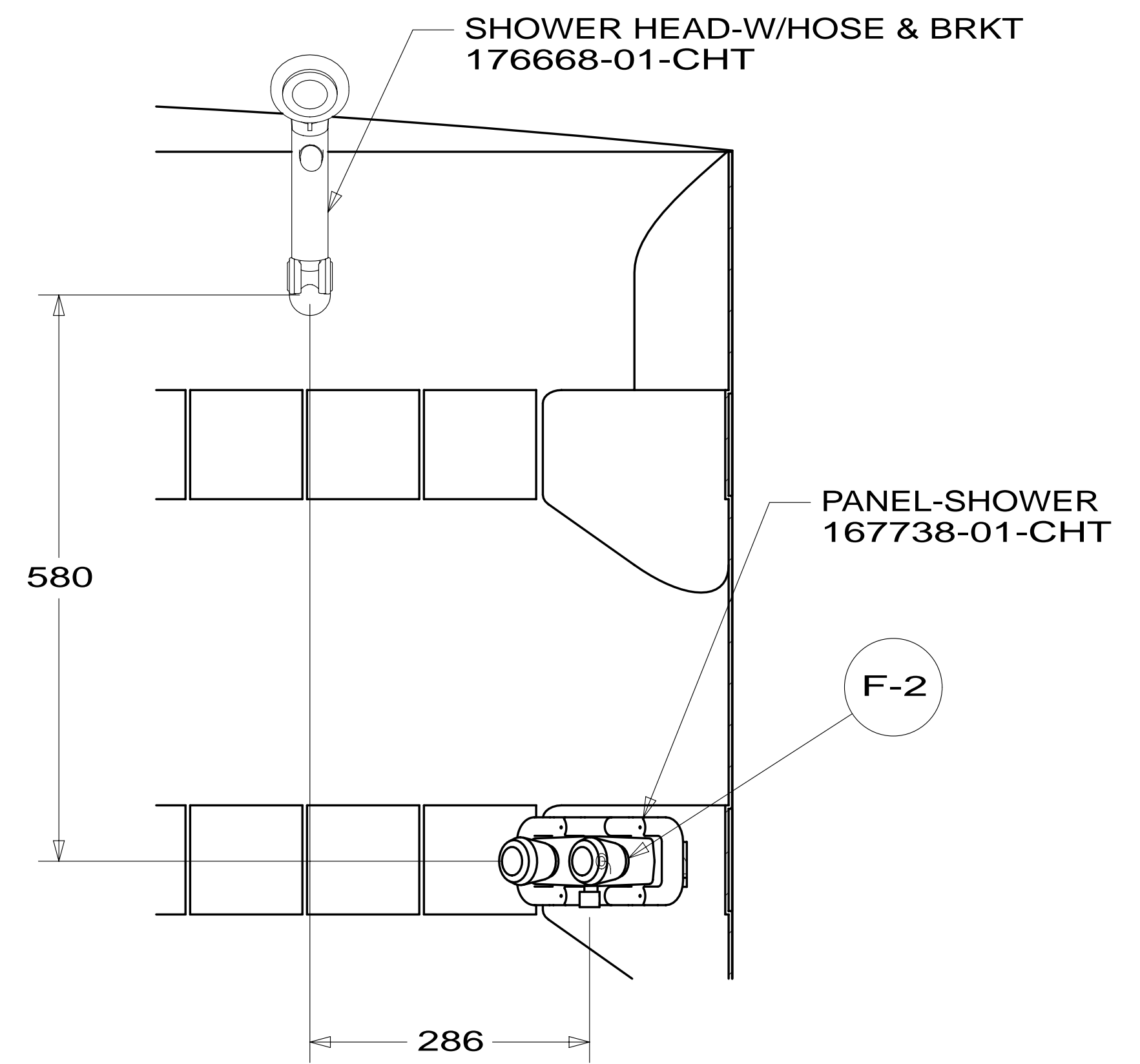
WINNEBAGO		COPYRIGHT 2013 WINNEBAGO INDUSTRIES, INC.	
DFT-ORIG	ORIG. DATE	ALL DIMENSIONS ARE IN MILLIMETERS	
CHKR			
P.E.			
M.E.	FIRST USED		
DSNR		13 730C	
UNSPECIFIED TOLERANCES ARE:		MATERIAL:	
WHOLE DIM (X)	: 3		
ONE-PLACE (X.X)	: 1.5		
TWO-PLACE (X.XX)	: 0.50		
ANGLE	: 1°		
THIRD ANGLE PROJECTION			
DO NOT SCALE DRAWING		REFER TO ES0018 FOR FASTENER TIGHTENING GUIDELINES	
TITLE: WATER SYSTEM INSTL			
SHEET 1 OF 4	PART NO 181116	REV	
REF:	1	25-Mar-2013	

* 181116 * A



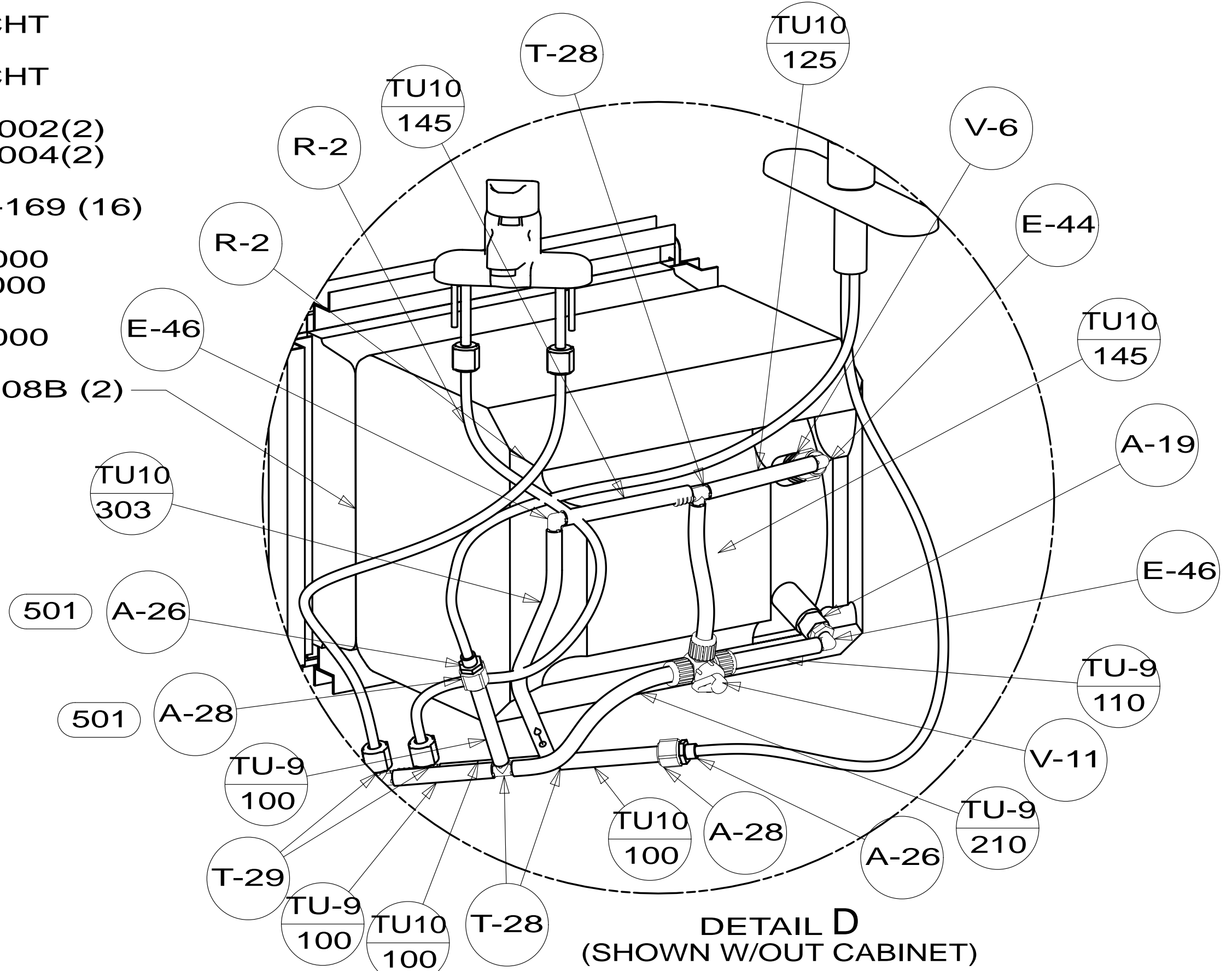
VIEW A

DETAIL D

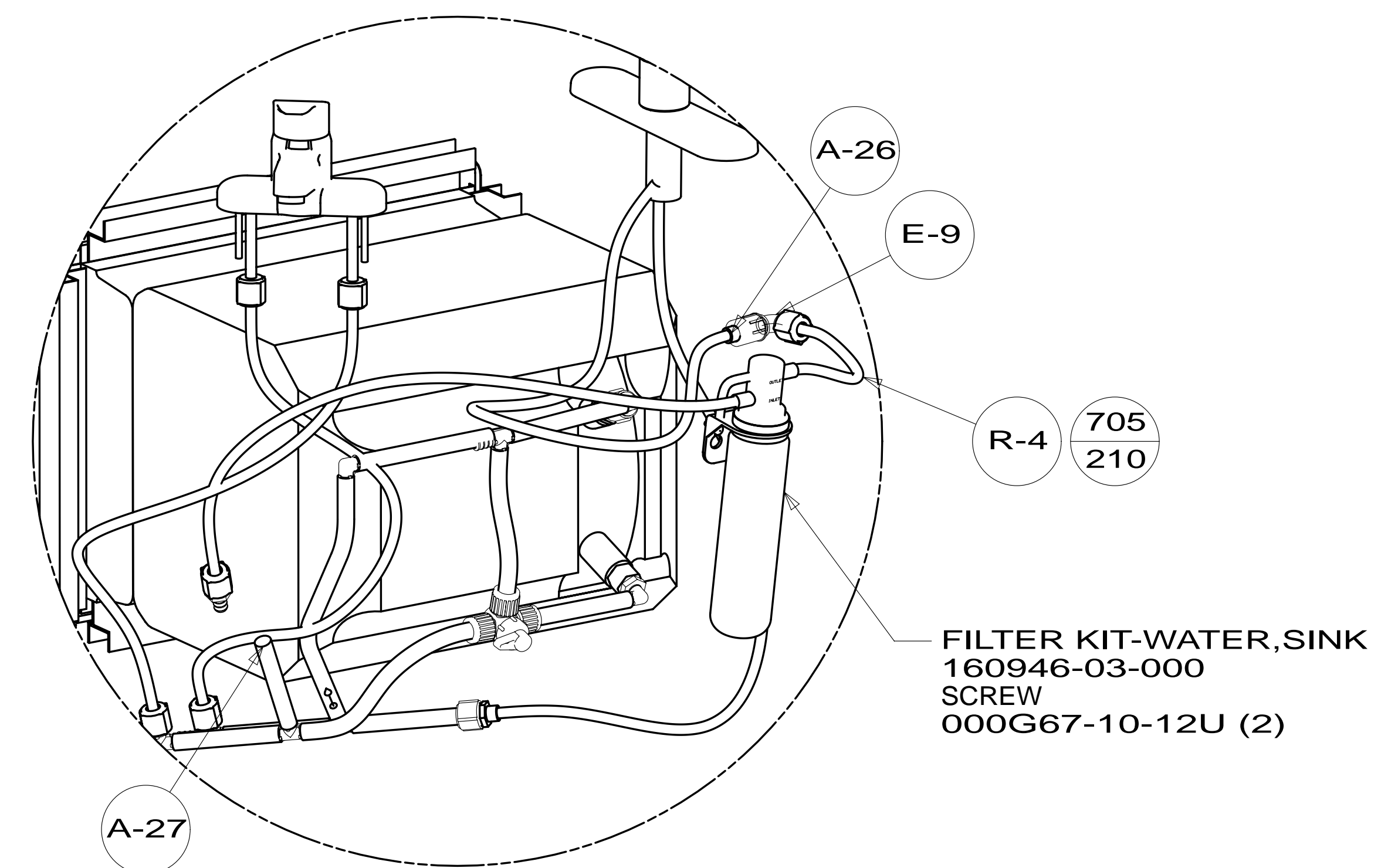


SECTION B-B

- 53F WATER HEATER 051391-03-000
- 53B 145541-02-000 DOOR
- 125420-06-CHT FLANGE
- 152239-01-CHT EXTR
- 165959-51-002(2)
- 165959-51-004(2)
- SCREW 000G39-10-169 (16)
- SEALANT 069640-14-000
- 112864-01-000 CABLE
- 076767-03-000 SCREW
- 000G11-06-08B (2)



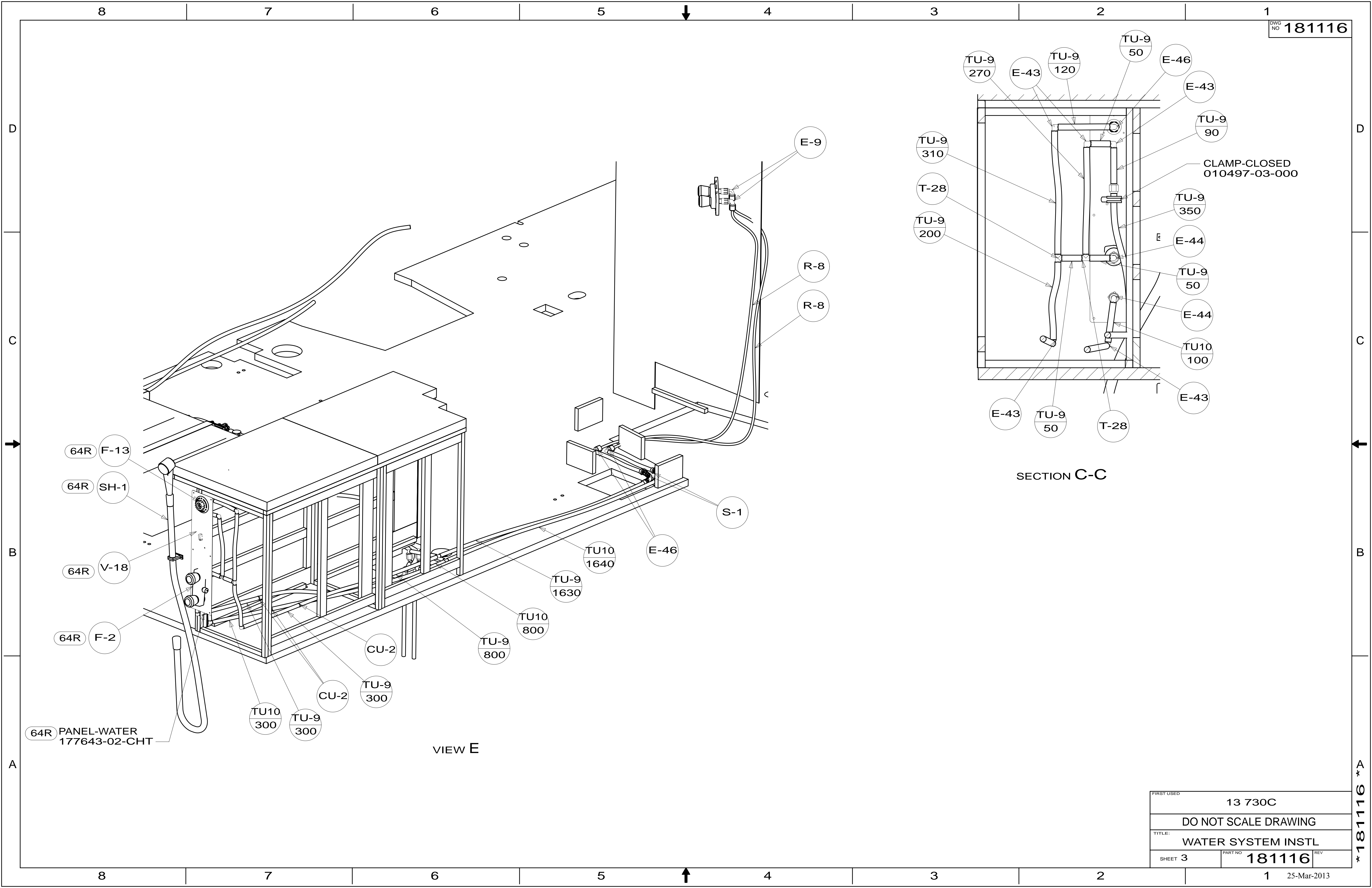
DETAIL D (SHOWN W/OUT CABINET)



DETAIL D (SHOWN W/OUT CABINET) 29B

FIRST USED	13 730C	
DO NOT SCALE DRAWING		
TITLE: WATER SYSTEM INSTL		
SHEET 2	PART NO 181116	REV

* 181116



- 64R F-13
- 64R SH-1
- 64R V-18
- 64R F-2
- 64R PANEL-WATER
177643-02-CHT

- TU10 300
- TU-9 300
- CU-2
- TU10 300
- CU-2
- TU-9 300

VIEW E

- TU10 1640
- TU-9 1630
- TU10 800
- TU-9 800
- CU-2
- TU-9 300
- TU10 300
- CU-2
- TU-9 300

- E-9
- R-8
- R-8

S-1

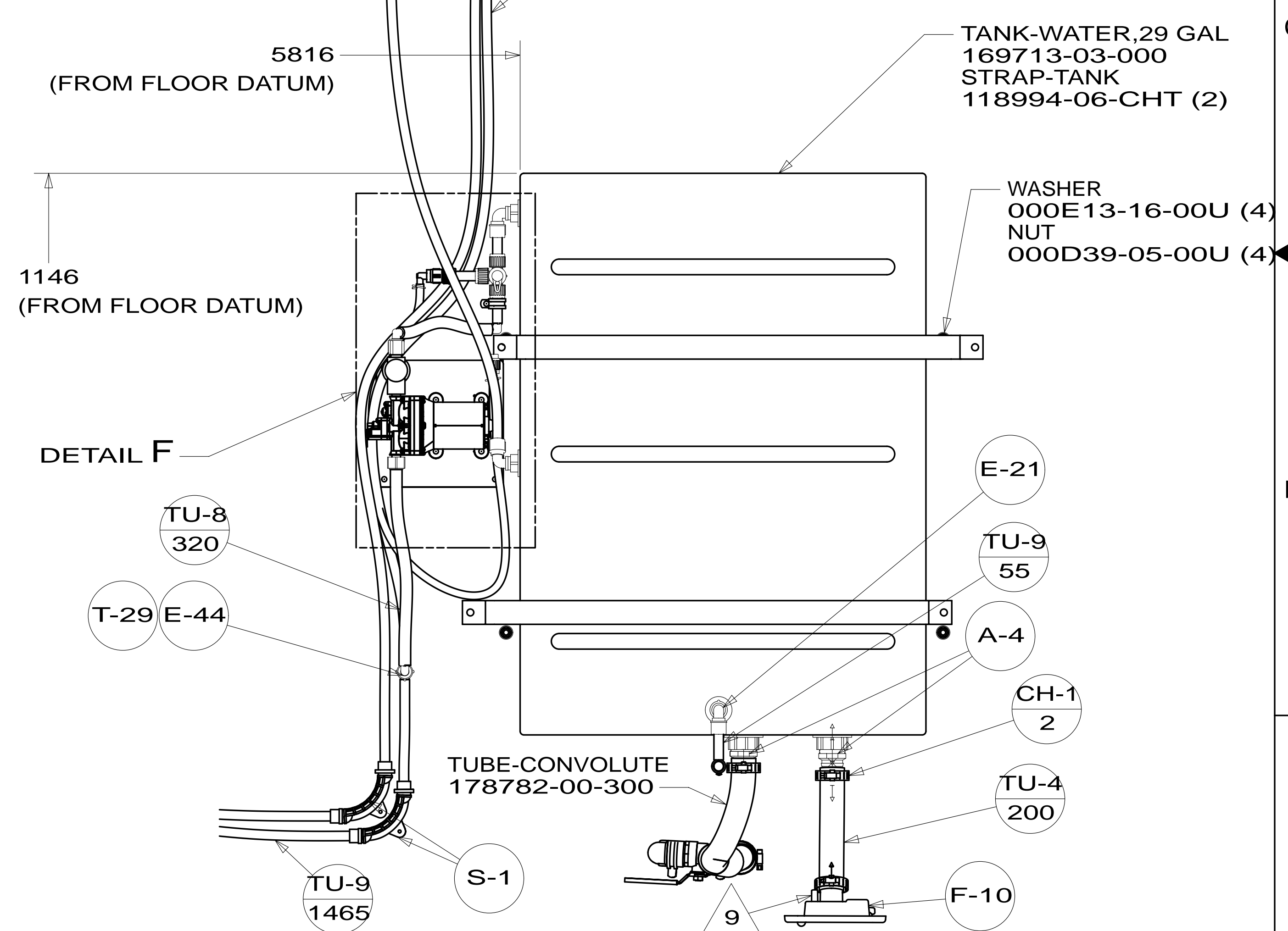
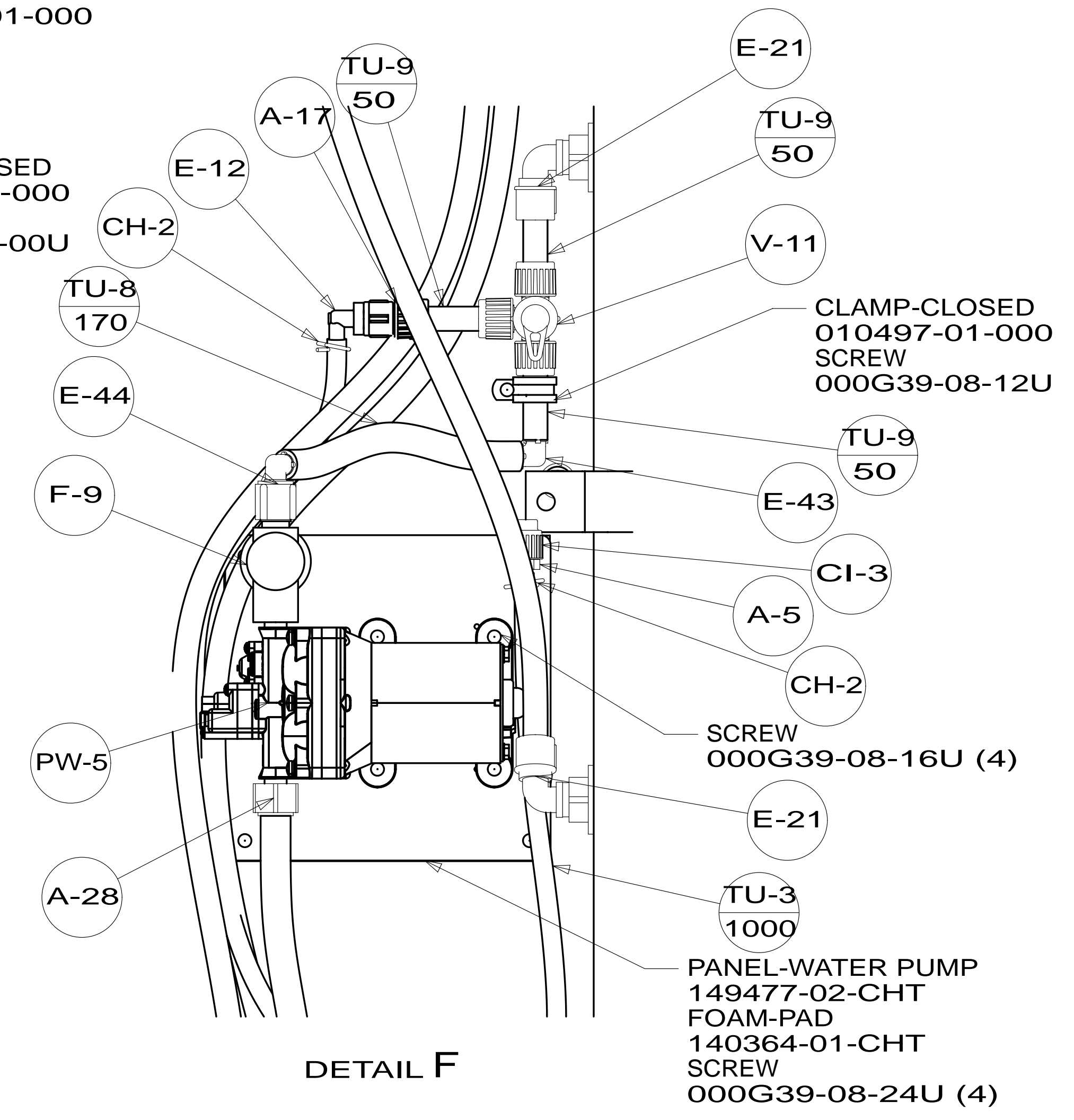
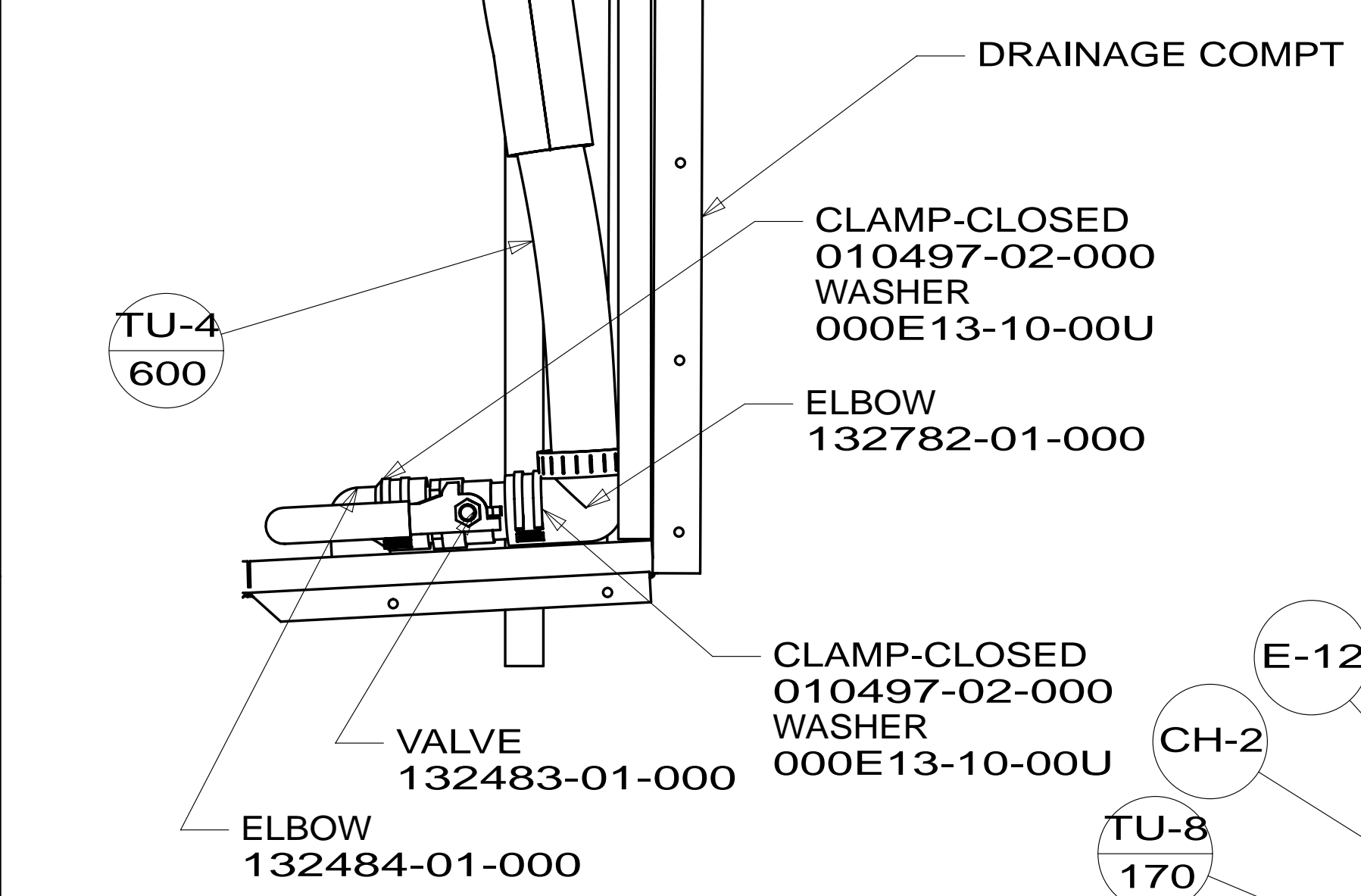
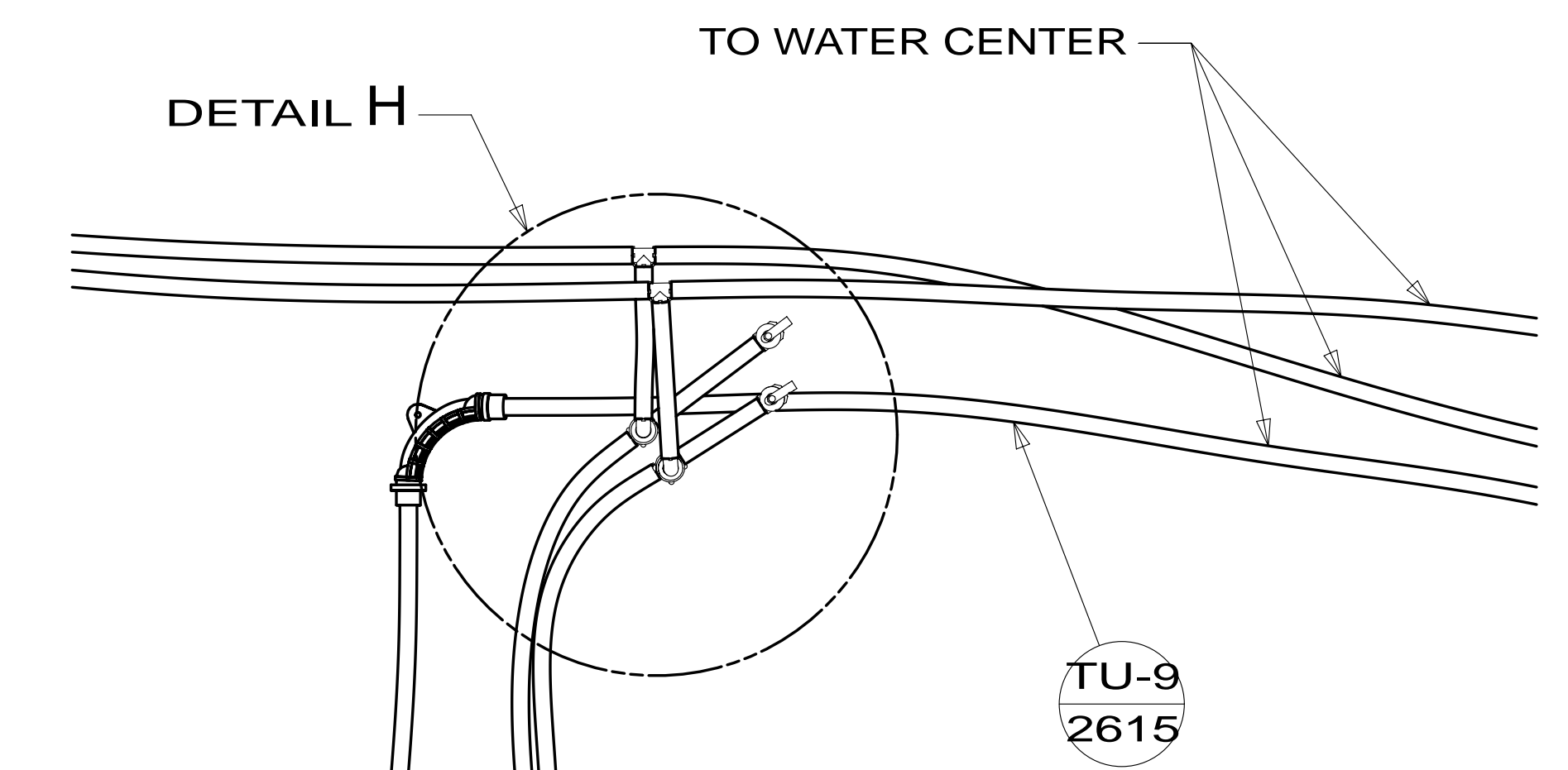
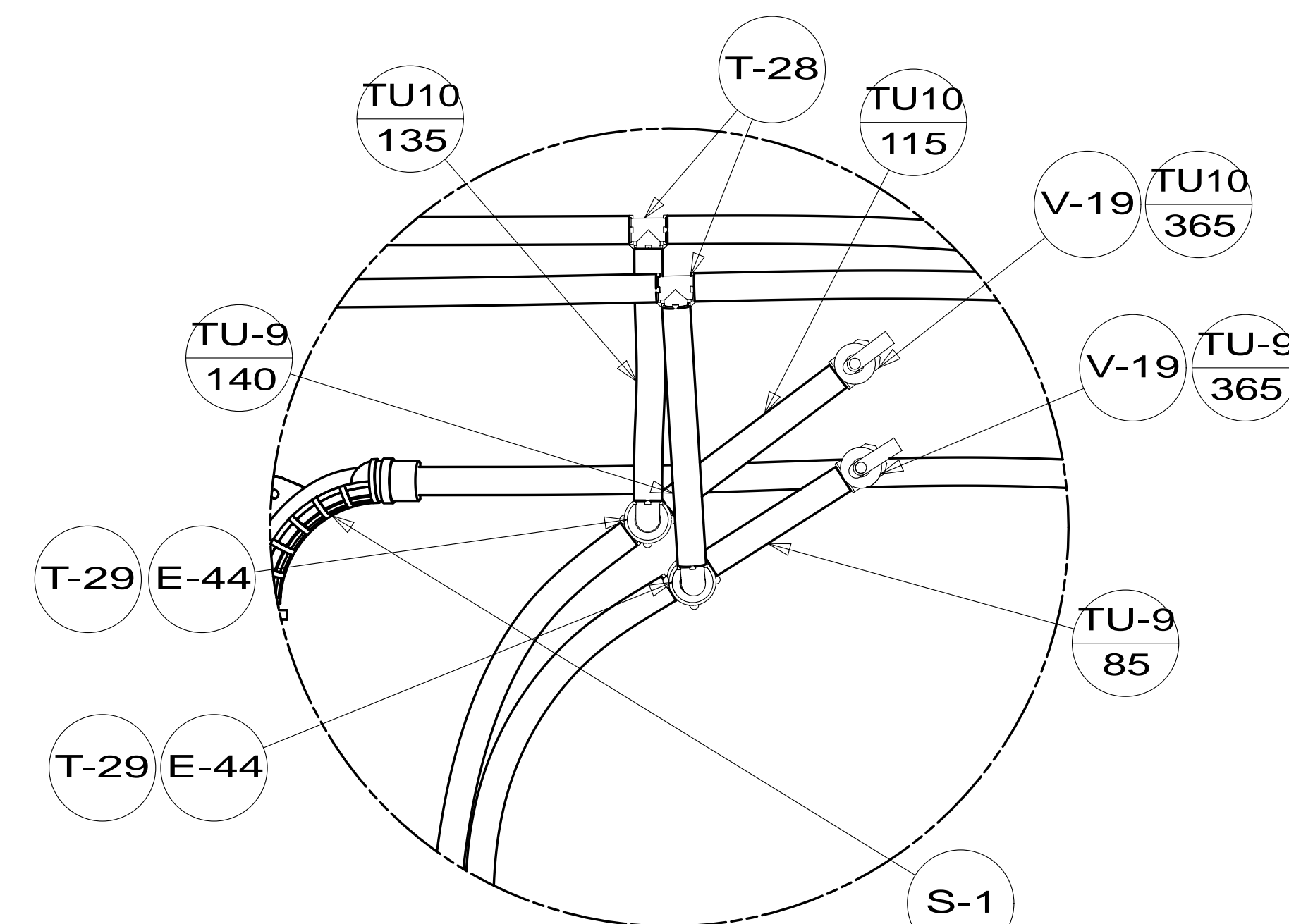
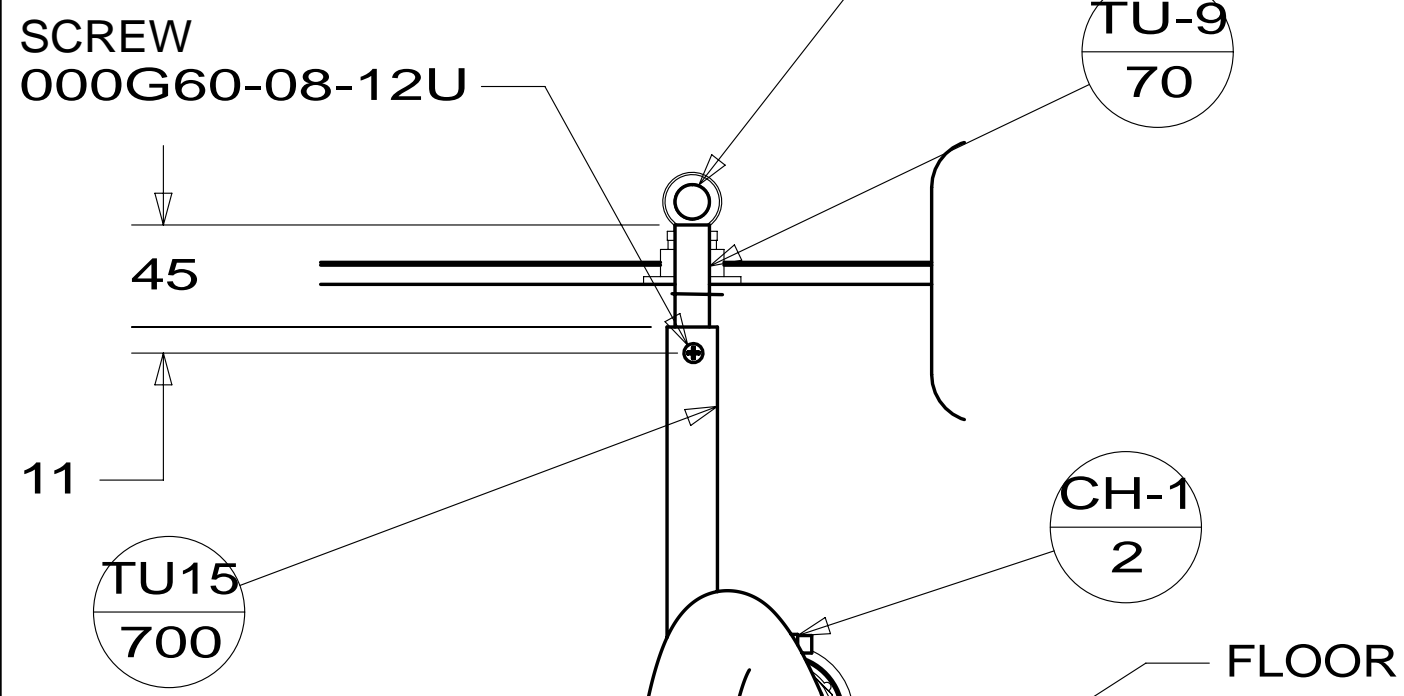
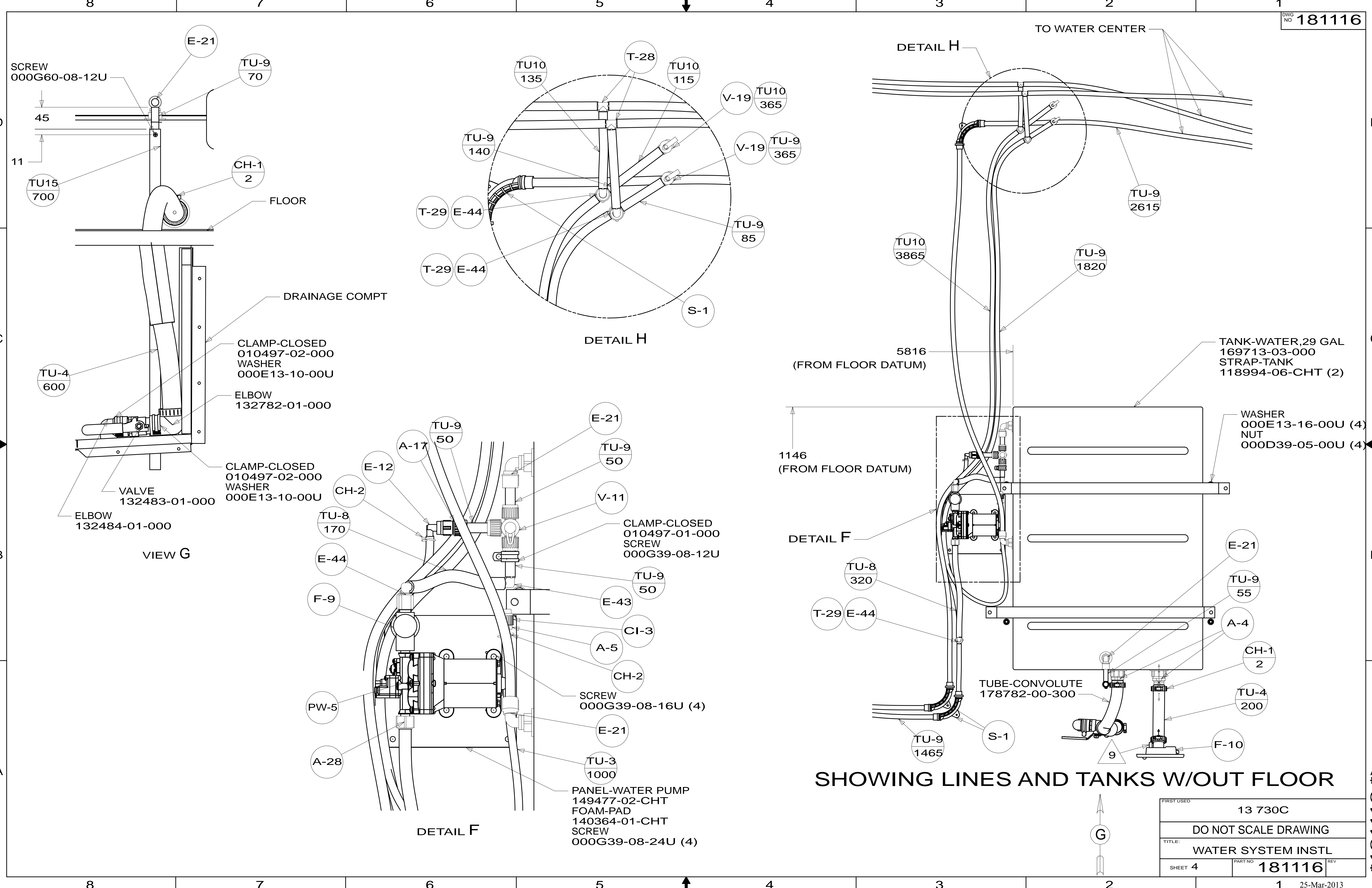
E-46

- TU-9 270
- E-43
- TU-9 120
- TU-9 50
- E-46
- E-43
- TU-9 90
- CLAMP-CLOSED
010497-03-000
- TU-9 350
- E-44
- TU-9 50
- E-44
- TU10 100
- E-43
- TU-9 50
- T-28
- E-43

SECTION C-C

FIRST USED	13 730C	
TITLE:	DO NOT SCALE DRAWING	
TITLE:	WATER SYSTEM INSTL	
SHEET 3	PART NO 181116	REV
	1	25-Mar-2013

* 181116 A



SHOWING LINES AND TANKS W/OUT FLOOR

FIRST USED	13 730C
DO NOT SCALE DRAWING	
TITLE: WATER SYSTEM INSTL	
SHEET 4	PART NO 181116 REV
25-Mar-2013	

A * 181116