

- 9. SEE DRAWING 061607 FOR INSTALLATION OF GROMMETS.
- 8. SECURE DRAINAGE PIPES TO CABINET USING WIRE TIE 108046-02-000, AND SCREW 000G67-10-12U AT INTERVALS OF NOT OF NOT MORE THAN 4 FEET APART.
- 7. SECURE VENT PIPE TO FLOOR WITH CLAMP 062401-02-000 (2), SCREW 000G67-10-12U (2), BRACKET 136878-01-CHT (2).
- 6. VENT PIPE MUST PROJECT 51 MIN AND 64 MAX ABOVE ROOF FOR PROPER FIT AND FUNCTION. ADD S-1 (116666-01-CHT SEAL-VENT PIPE) AROUND PIPE ON ROOF BEFORE VENT CAP IS INSTALLED.
- 5. SEAL AROUND SHOWER WITH SILICONE.
- 4. USE SMOOTH PLUMBERS PUTTY 167459-01-000 TO SEAL STRAINER (0.2 PER STRAINER).
- 3. ALL PIPE AND FITTINGS TO BE ASSEMBLED WITH SOLVENT 004020-01-000 (USA), 004020-02-000 (CAN)
- 2. SLOPE OF TRAP ARM MUST BE 6 PER 305 mm.
- 1. SLOPE OF HORIZONTAL PIPING TO BE MINIMUM OF 3 PER 305 mm.

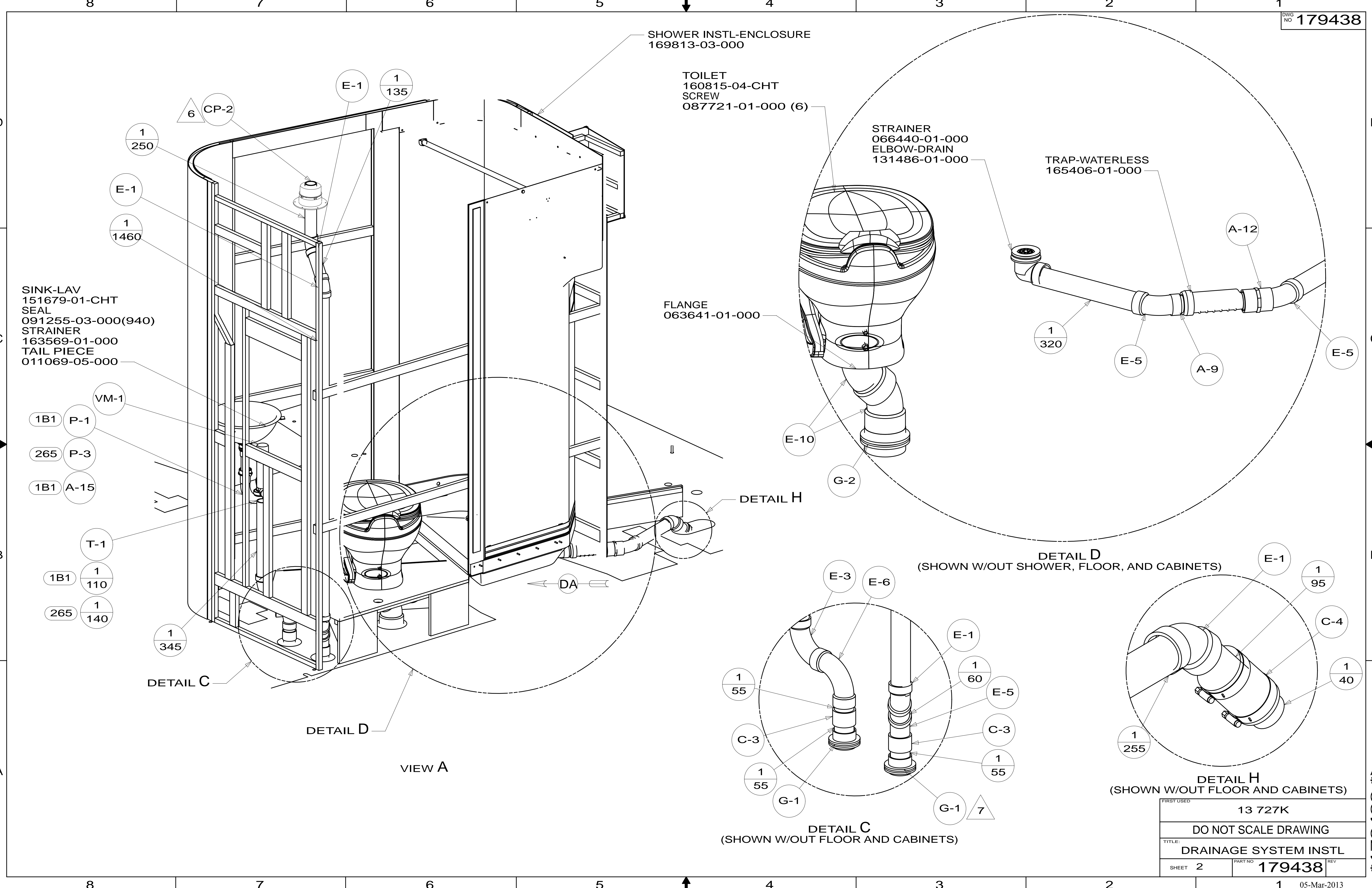
NOTES:

- (265) CODES/STANDARDS-CSA/CMVSS
- (23T) DRAINAGE SYSTEM-HEATED
- (1B1) CODES/STANDARDS USA

		COPYRIGHT 2013 WINNEBAGO INDUSTRIES, INC.
DFT-ORIG	ORIG. DATE	
CHKR	ALL DIMENSIONS ARE IN MILLIMETERS	
P.E.		
M.E.	FIRST USED	
DSNR	13 727K	
UNSPECIFIED TOLERANCES ARE:		MATERIAL:
WHOLE DIM (X)	: 3	
ONE-PLACE (X.X)	: 1.5	
TWO-PLACE (X.XX)	: 0.50	
ANGLE	: 1°	
THIRD ANGLE PROJECTION		
DO NOT SCALE DRAWING		REFER TO ES0018 FOR FASTENER TIGHTENING GUIDELINES
TITLE: DRAINAGE SYSTEM INSTL		
SHEET 1 OF 4	PART NO 179438	REV
REF:	1	05-Mar-2013

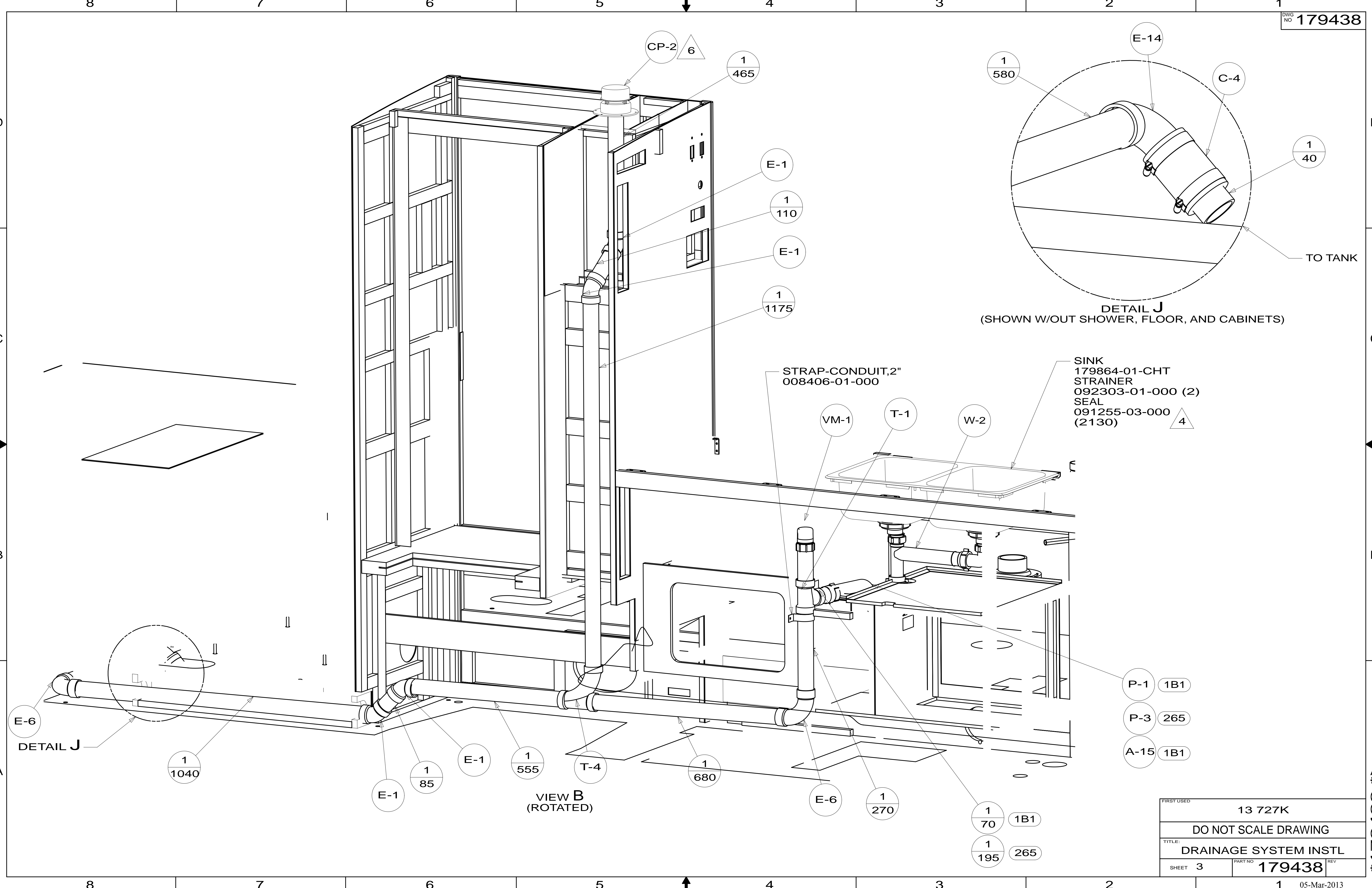
FOR DRAINAGE CALLOUTS SEE DWG NO 116229-01-000

\* 179438 \* \* A



FIRST USED	13 727K	
DO NOT SCALE DRAWING		
TITLE: DRAINAGE SYSTEM INSTL		
SHEET 2	PART NO 179438	REV

\*179438 \*A



DETAIL J  
(SHOWN W/OUT SHOWER, FLOOR, AND CABINETS)

STRAP-CONDUIT, 2"  
008406-01-000

SINK  
179864-01-CHT  
STRAINER  
092303-01-000 (2)  
SEAL  
091255-03-000  
(2130)

VIEW B  
(ROTATED)

FIRST USED	13 727K	
TITLE:	DO NOT SCALE DRAWING	
	DRAINAGE SYSTEM INSTL	
SHEET 3	PART NO 179438	REV
		05-Mar-2013

\*179438 \*A

FRONT AXLE

VEHICLE

GROMMET  
071015-26-000

GROMMET  
071015-26-000

TANK-HOLDING  
180803-02-000

TANK-HOLDING  
175551-02-000

1222

2006

4443

DATUM

87

76

1498

SHOWING TANKS AND DRAINS ONLY

PIPE COVER  
(REF)

295

VIEW DA

CRADLE ASM  
156612-08-CHT  
WASHER  
000E13-16-00B (4)  
NUT  
000D39-05-00B (4)

HOSE  
177021-01-000  
(3500)  
(WIRE TIE MACERATOR PUMP  
HOSE UP TO THE CHASSIS  
FRAME ASM)

PUMP-MACERATOR  
165762-02-000  
CLAMP  
062401-01-000  
SCREW  
000G19-10-20U(4)  
WASHER  
000E13-11-00U(8)  
NUT  
000D24-10-00U(4)

F  
F

V-7 N-3

VIEW E

A-12  
1  
55  
PL-1  
B-2  
T-4  
1  
50  
V-3  
A-1  
C-2  
N-3

CLAMP  
062401-01-000

ADAPTER  
170876-01-000

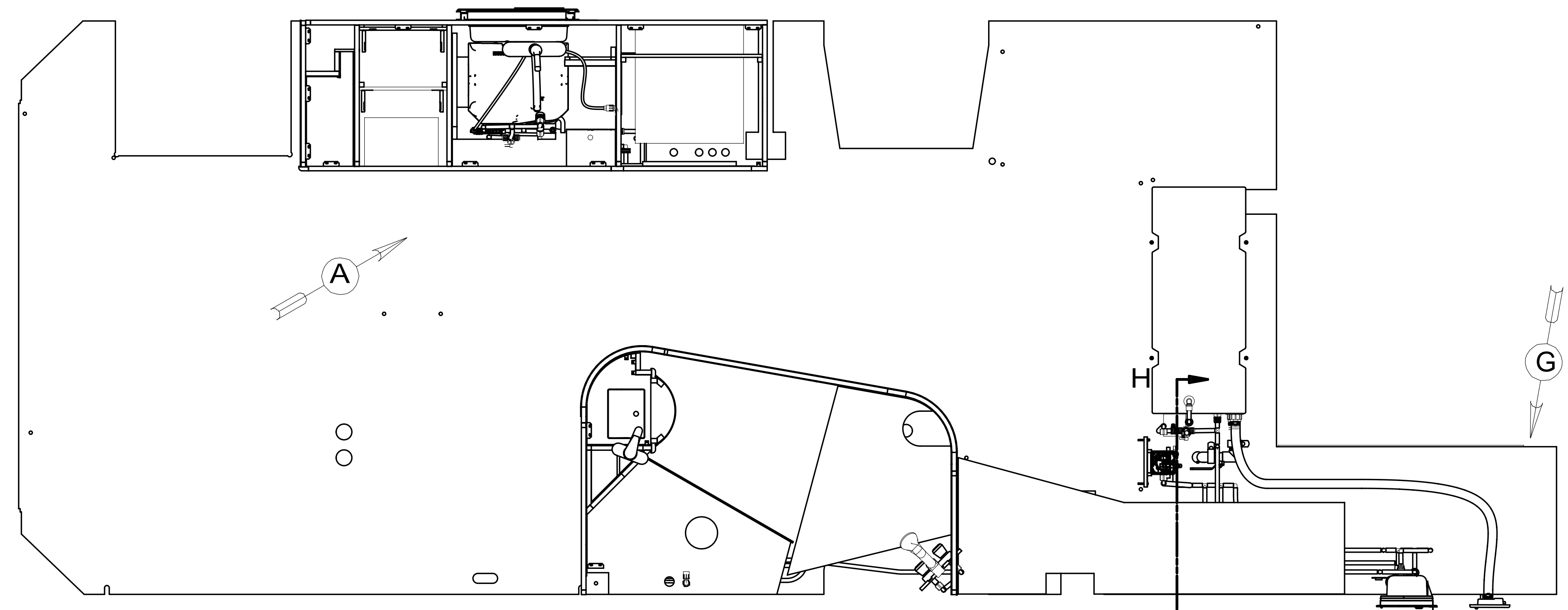
ELBOW  
170414-01-000

SECTION F-F

B-2  
CP-1  
2  
60  
A-4  
H-1  
644

FIRST USED	13 727K
TITLE:	DO NOT SCALE DRAWING
TITLE:	DRAINAGE SYSTEM INSTL
SHEET 4	PART NO 179438 REV
	05-Mar-2013

\* 179438 \* A

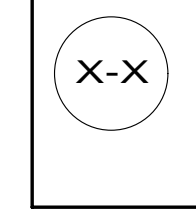


- 53F WATER HEATER-ELEC. IGNITION
- 53B WTR HTR-6 GAL ELECTRIC/LP GAS
- 29B WATER PURIFIER
- 501 WATER PURIFIER-WITHOUT
- 53E WATER SYS WINTERIZATION PKG
- 64R EXTERIOR WASH STATION
- 1H6 AIR SPRINGS-WITHOUT

- NOTES:
- 6 ADD TEFLON TAPE 010405-03-000.
  - 5 ADD TEFLON TAPE 010405-02-000.
  - 4 ADD TEFLON TAPE 010405-01-000.
  - 3. ALL TUBING TO BE SECURED AT 1200 INTERVALS MAXIMUM WITH CLAMP 010495-01-000 AND SCREW 000G67-10-12B OR EQUIVALENT.
  - 2. TUBING TO BE INSTALLED WITH SUFFICIENT SLOPE TO PROVIDE DRAINAGE TO NEAREST VALVE.
  - 1. PLASTIC FITTINGS TO BE SEALED WITH SEALANT 084456-01-000.

		COPYRIGHT 2012 WINNEBAGO INDUSTRIES, INC.
DFT-ORIG	ORIG. DATE	
CHKR	ALL DIMENSIONS ARE IN MILLIMETERS	
P.E.		
M.E.	FIRST USED	
DSNR	13 727K	
UNSPECIFIED TOLERANCES ARE:		MATERIAL:
WHOLE DIM (X)	: 3	
ONE-PLACE (X.X)	: 1.5	
TWO-PLACE (X.XX)	: 0.50	
ANGLE	: 1°	
THIRD ANGLE PROJECTION		
DO NOT SCALE DRAWING		REFER TO ES0018 FOR FASTENER TIGHTENING GUIDELINES
TITLE: WATER SYSTEM INSTL		
SHEET 1 OF 7	PART NO	179439
REF:	1	19-Sep-2012

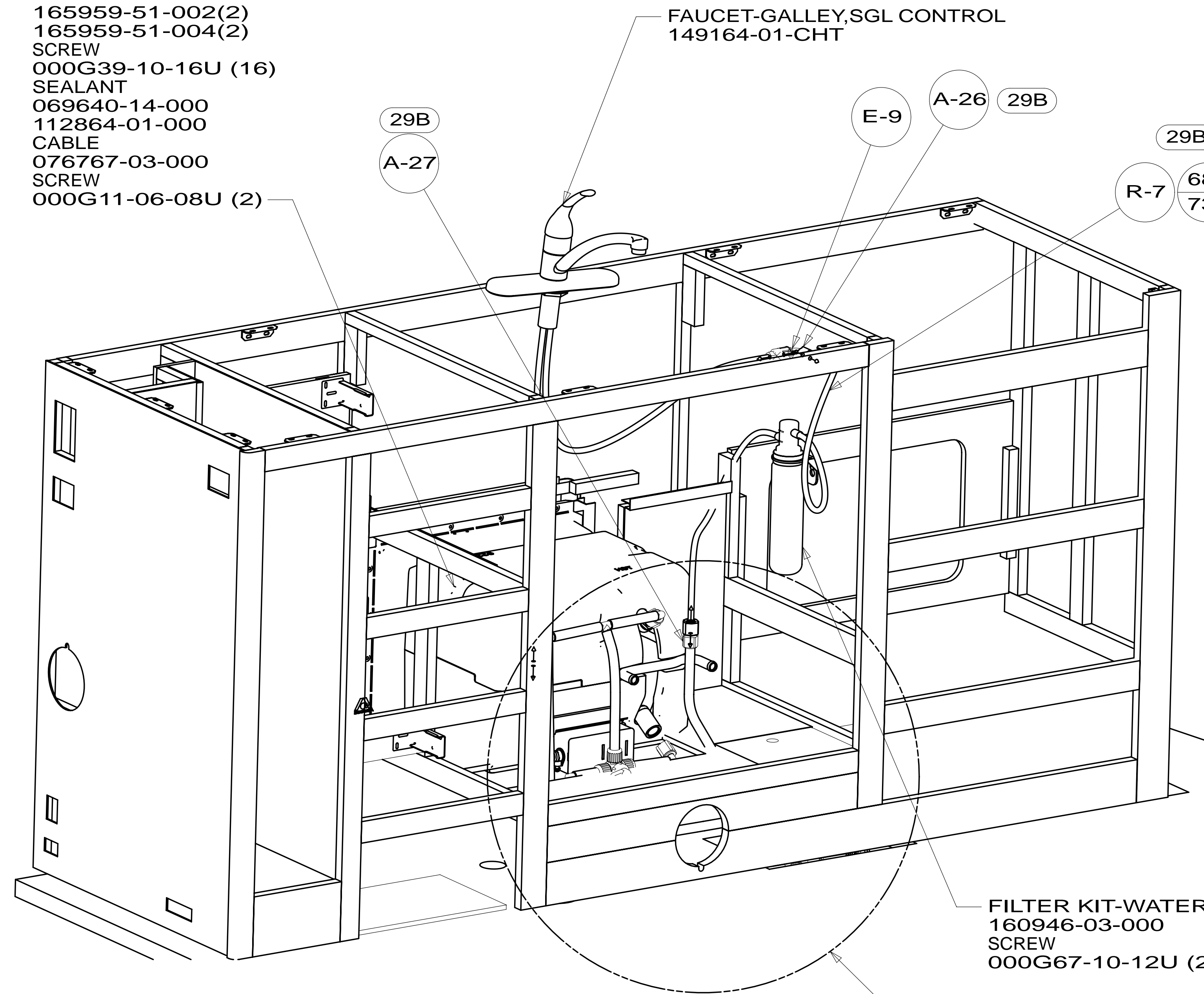
FOR WATER CALLOUTS SEE DWG NO 116230-01-000



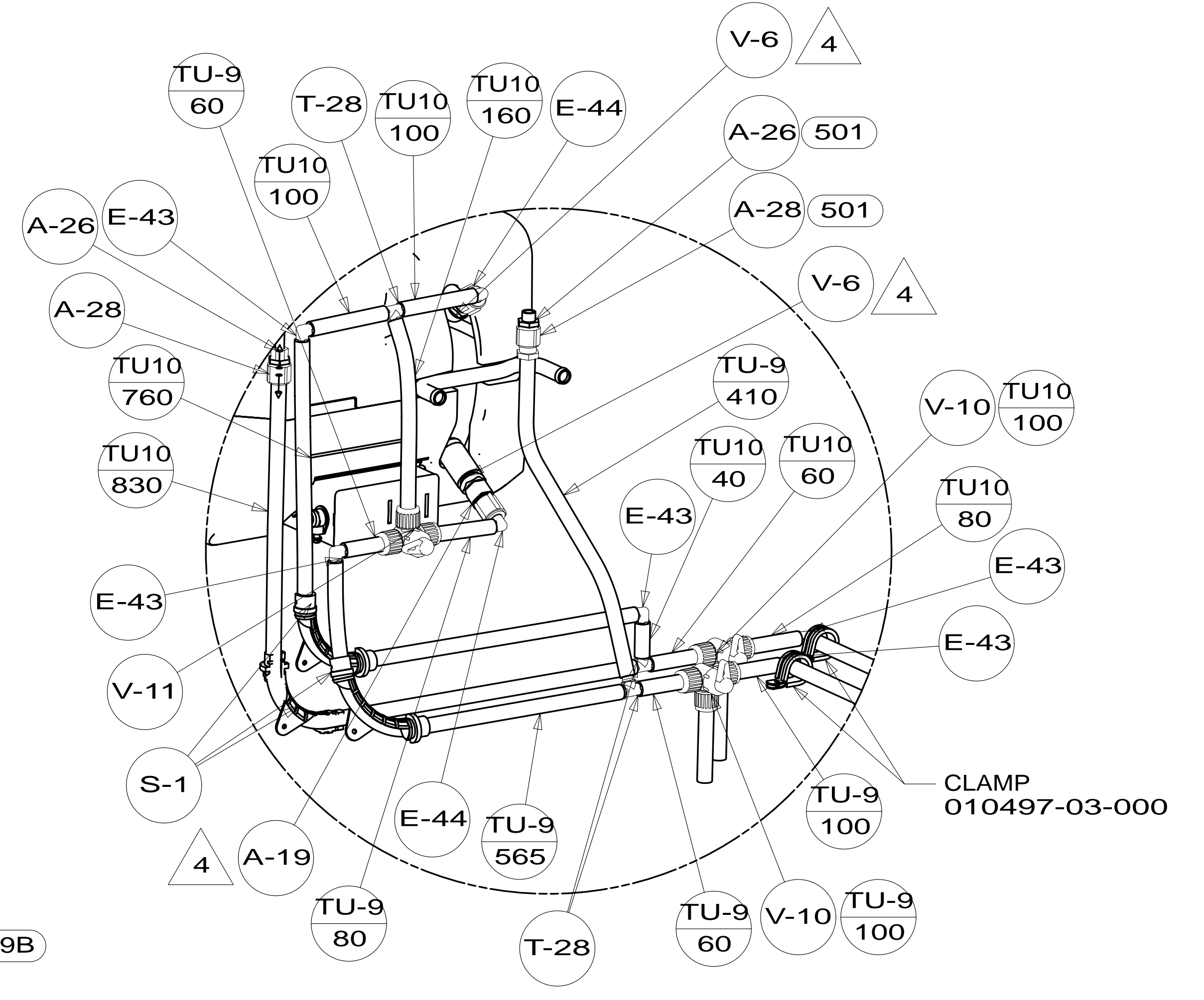
- 53F WATER HEATER  
051391-03-000
- 53B DOOR  
145541-02-000
- 125420-06-CHT  
FLANGE
- 152239-01-CHT  
EXTR
- 165959-51-002(2)
- 165959-51-004(2)
- SCREW
- 000G39-10-16U (16)
- SEALANT
- 069640-14-000
- 112864-01-000
- CABLE
- 076767-03-000
- SCREW
- 000G11-06-08U (2)

FAUCET-GALLEY, SGL CONTROL  
149164-01-CHT

FILTER KIT-WATER, SINK  
160946-03-000  
SCREW  
000G67-10-12U (2)

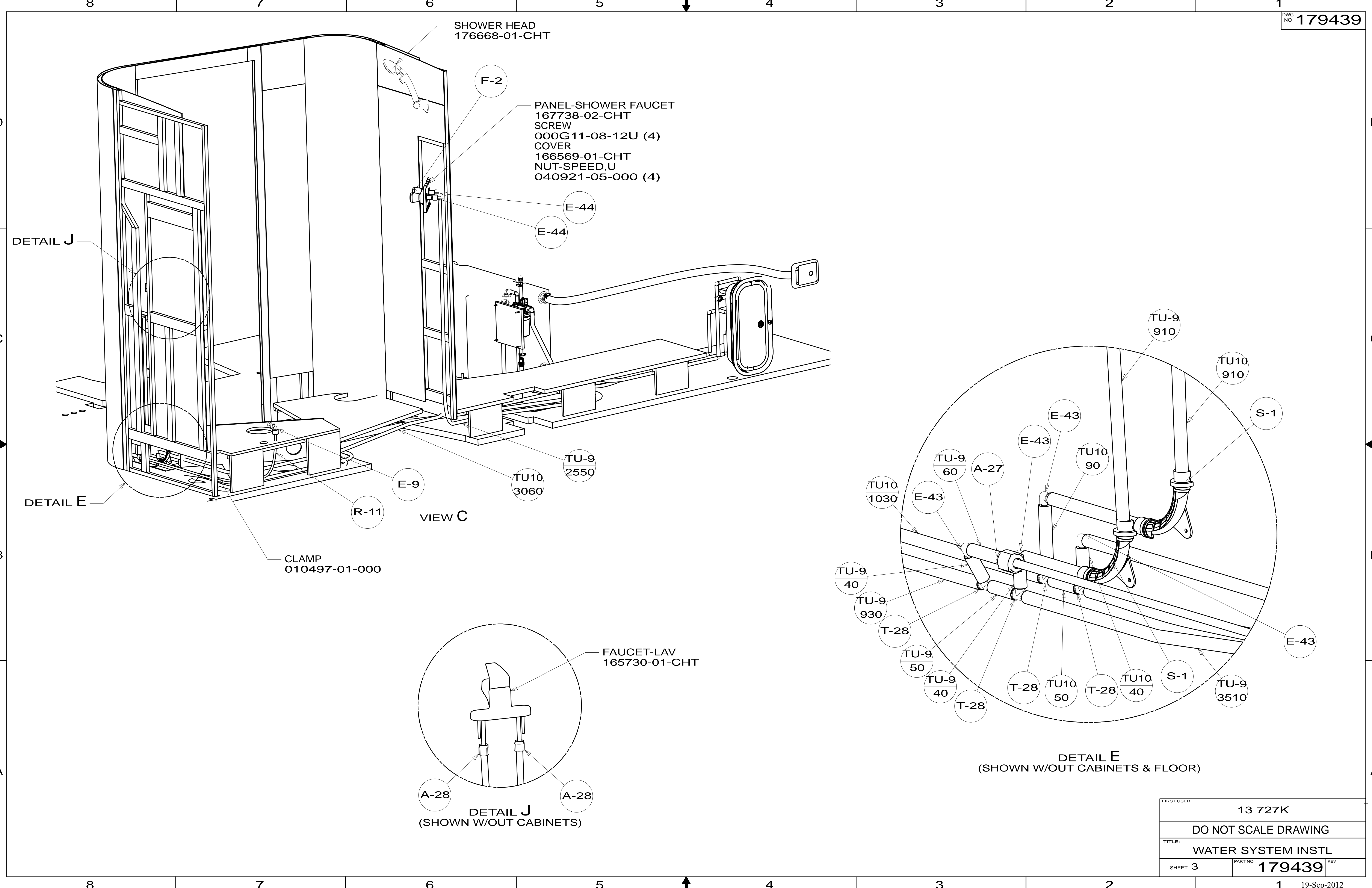


VIEW A

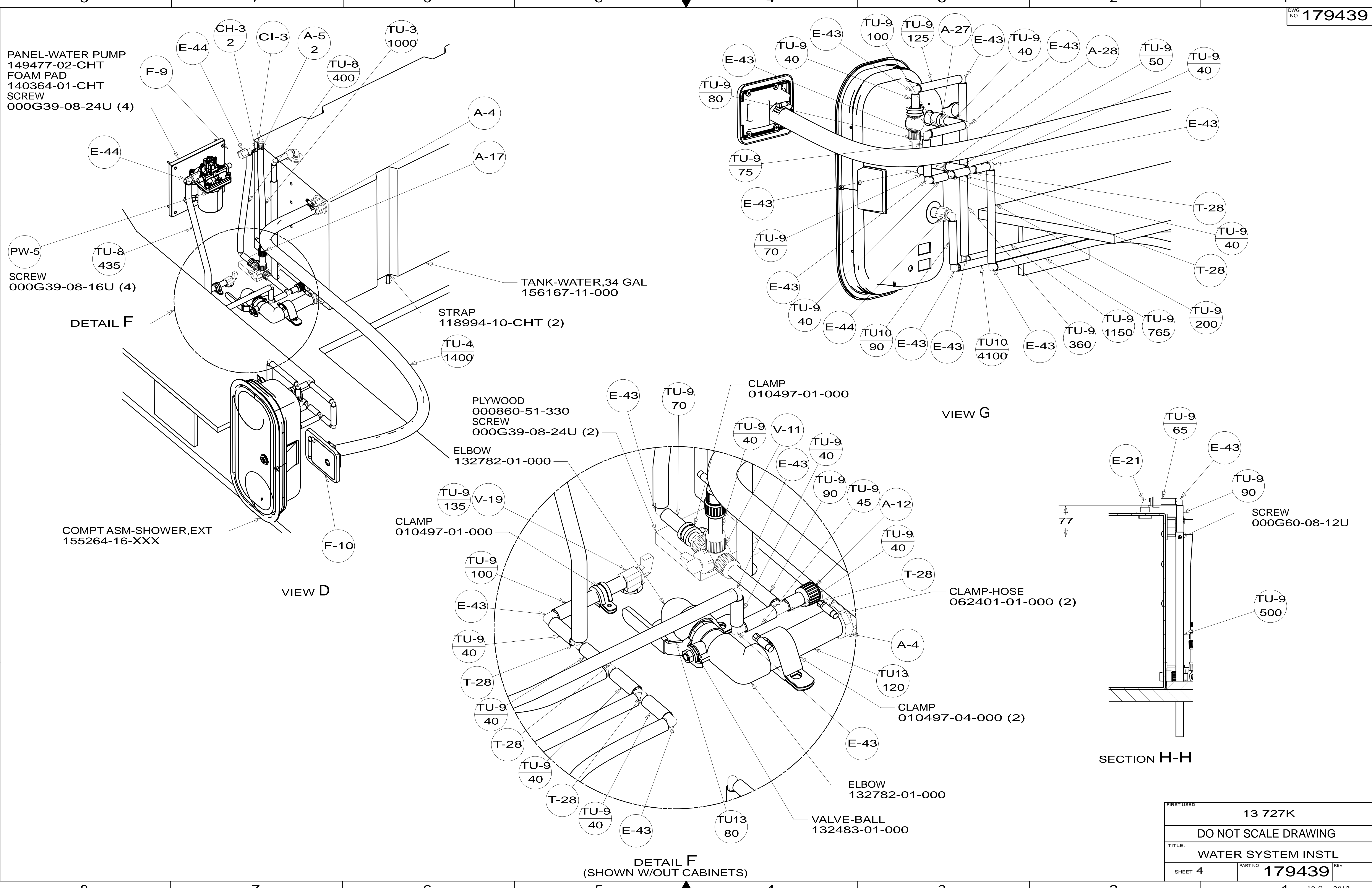


DETAIL B  
(SHOWN W/OUT CABINETS & FLOOR)

FIRST USED	13 727K		
TITLE:	DO NOT SCALE DRAWING		
	WATER SYSTEM INSTL		
SHEET 2	PART NO	179439	REV
			1 19-Sep-2012



FIRST USED	13 727K	
DO NOT SCALE DRAWING		
TITLE: WATER SYSTEM INSTL		
SHEET 3	PART NO	179439
	REV	



PANEL-WATER PUMP  
149477-02-CHT  
FOAM PAD  
140364-01-CHT  
SCREW  
000G39-08-24U (4)

PW-5  
SCREW  
000G39-08-16U (4)

TANK-WATER, 34 GAL  
156167-11-000

STRAP  
118994-10-CHT (2)

PLYWOOD  
000860-51-330  
SCREW  
000G39-08-24U (2)

ELBOW  
132782-01-000

CLAMP  
010497-01-000

VIEW G

VIEW D

CLAMP-HOSE  
062401-01-000 (2)

SECTION H-H

DETAIL F  
(SHOWN W/OUT CABINETS)

FIRST USED	13 727K
TITLE:	DO NOT SCALE DRAWING
	WATER SYSTEM INSTL
SHEET 4	PART NO 179439 REV
	19-Sep-2012