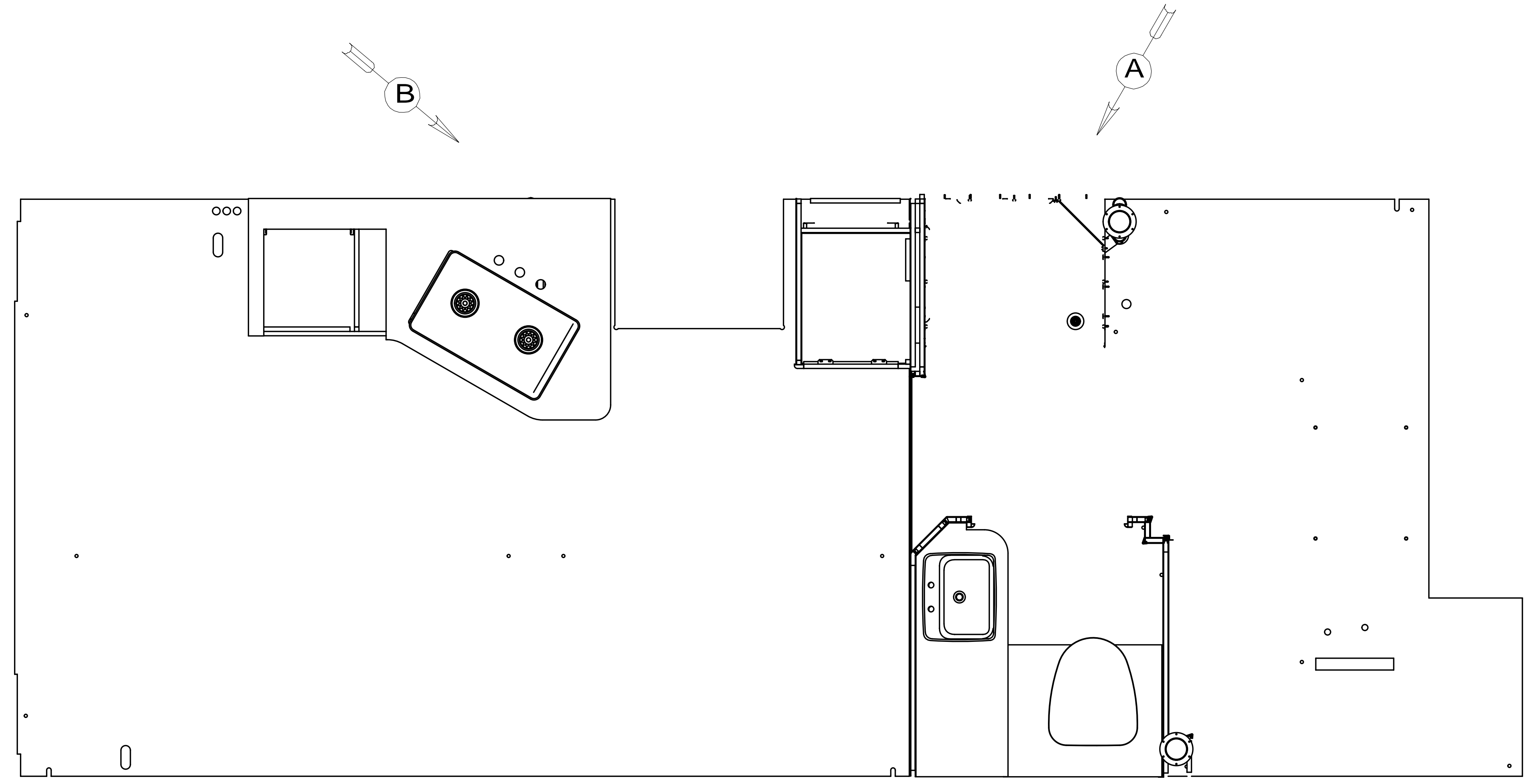


DWG NO	DETAIL	MODEL
179937-01	G	231W
179937-02	F	231WP

RELEASE	REV DATE	DWG NO	179937
REV ZONE	REVISION RECORD	DATE	DFT-ORIG



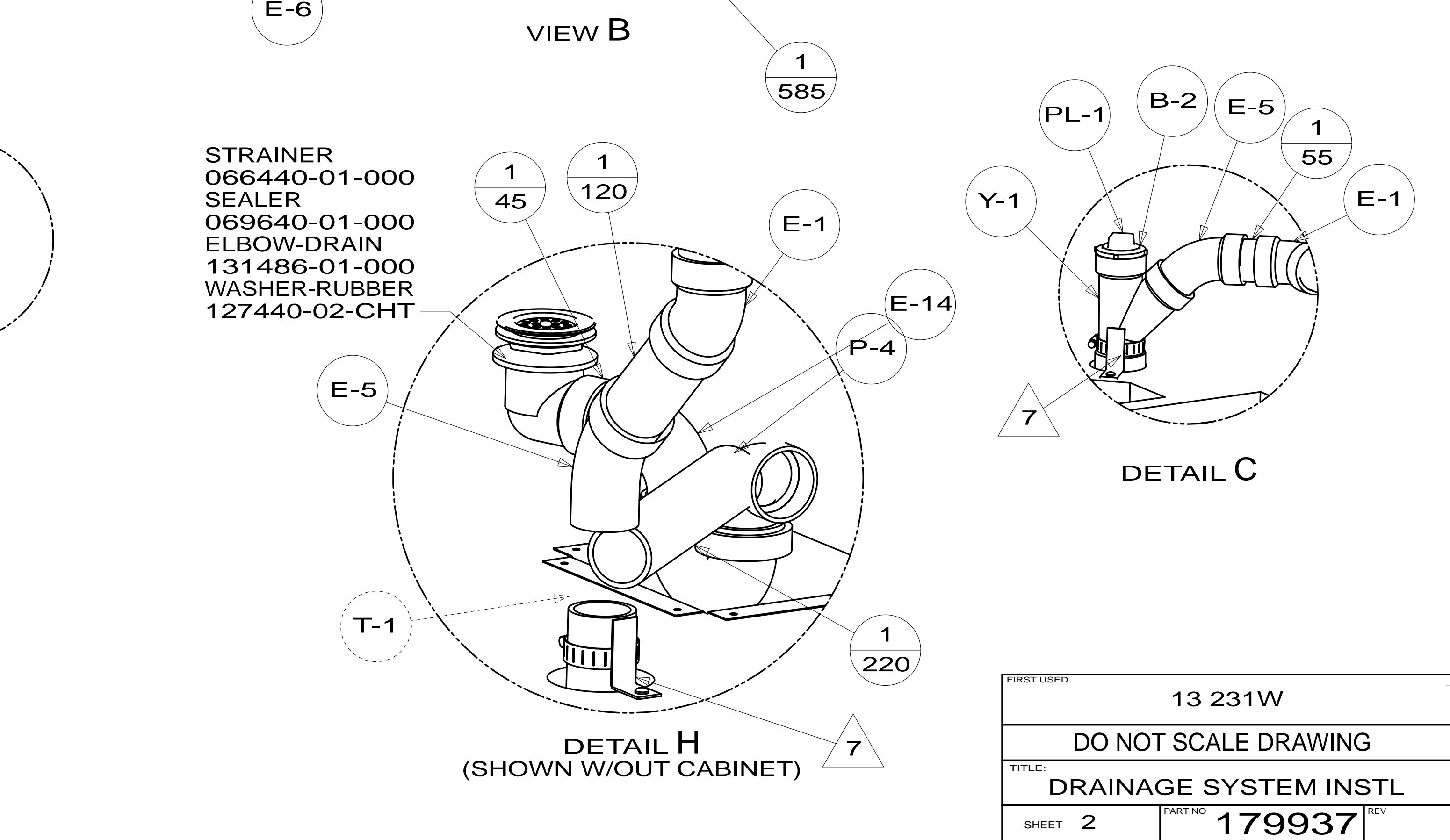
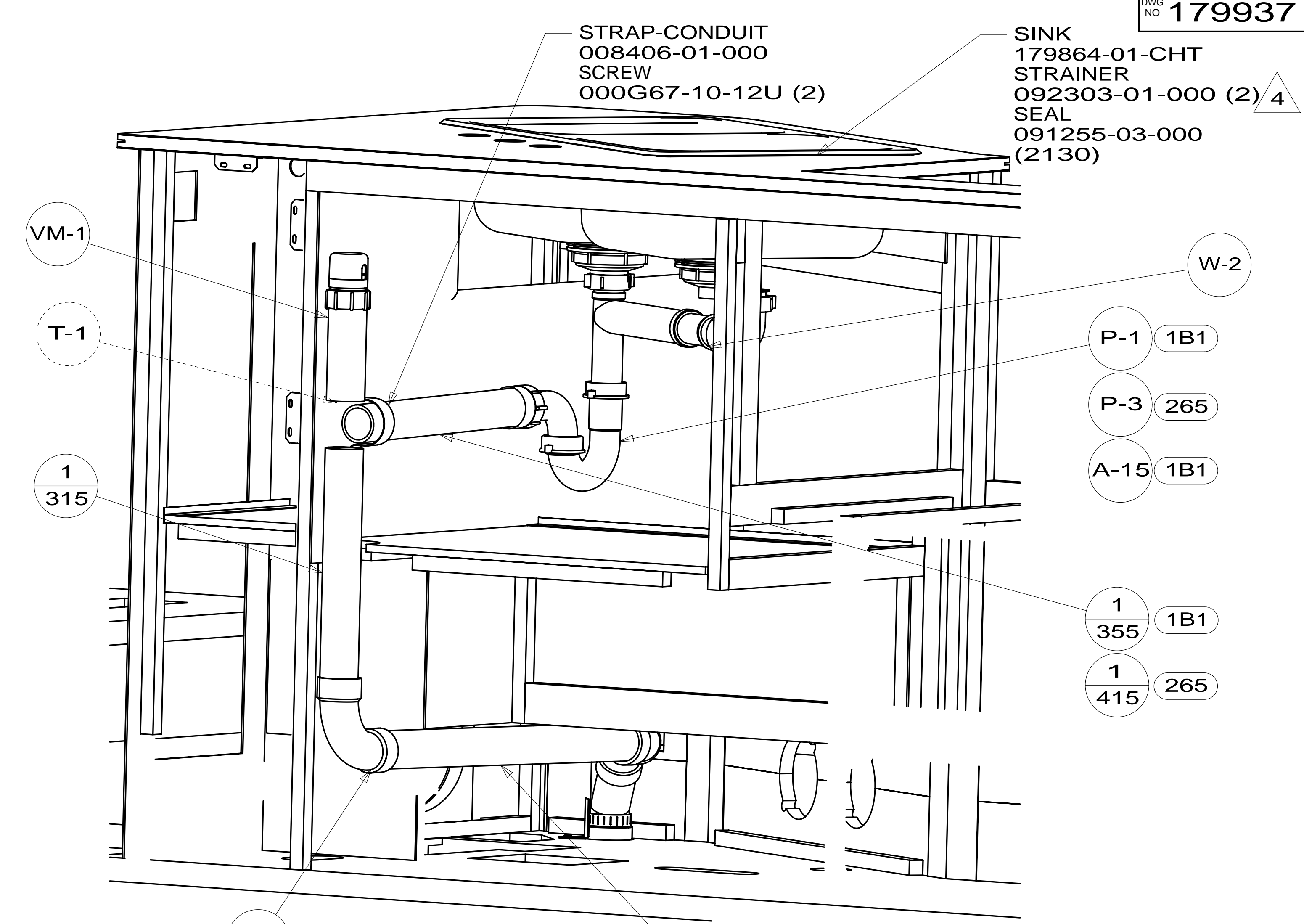
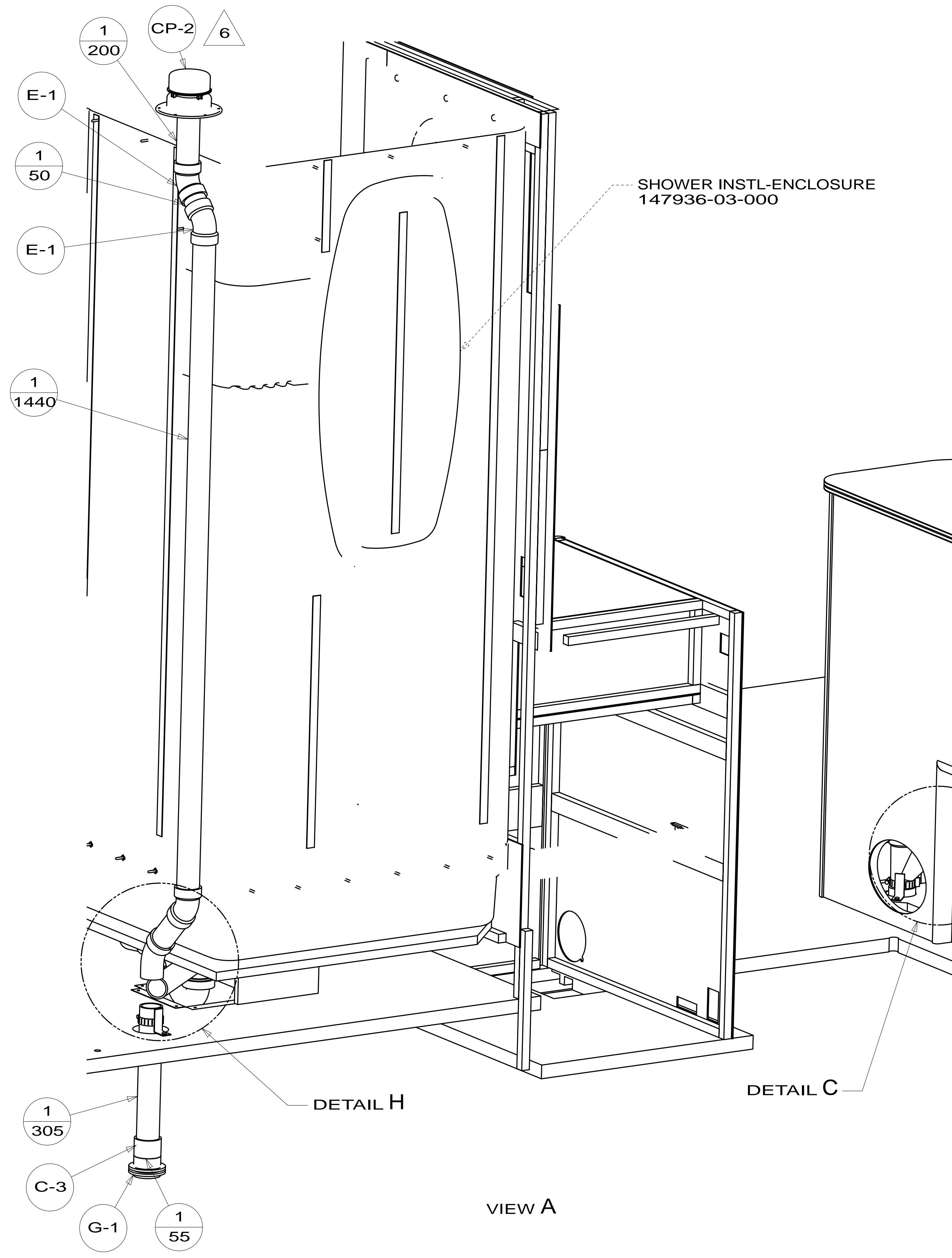
- NOTES:
11. PREP THE SURFACE PER MANUFACTURERS INSTRUCTIONS BEFORE APPLYING THE HEATING PAD.
  10. SEE WIRING INSTL-BODY FOR ELECTRICAL CONNECTION.
  9. SEE DRAWING 061607 FOR INSTALLATION OF GROMMETS.
  8. SECURE DRAINAGE PIPES TO CABINET USING WIRE TIE 108046-02-000, AND SCREW 000G67-10-12U AT INTERVALS OF NOT OF NOT MORE THAN 4 FEET APART.
  7. SECURE VENT PIPE TO FLOOR WITH CLAMP 062401-02-000 (2), SCREW 000G67-10-12U (2), BRACKET 136878-01-CHT (2).
  6. VENT PIPE MUST PROJECT 51 MIN AND 64 MAX ABOVE ROOF FOR PROPER FIT AND FUNCTION. ADD S-1 (116666-01-CHT SEAL-VENT PIPE) AROUND PIPE ON ROOF BEFORE VENT CAP IS INSTALLED.
  5. SEAL AROUND SHOWER WITH SILICONE.
  4. USE SMOOTH PLUMBERS PUTTY 167459-01-000 TO SEAL STRAINER (0.2 PER STRAINER).
  3. ALL PIPE AND FITTINGS TO BE ASSEMBLED WITH SOLVENT 004020-01-000 (USA), 004020-02-000 (CAN)
  2. SLOPE OF TRAP ARM MUST BE 6 PER 305 mm.
  1. SLOPE OF HORIZONTAL PIPING TO BE MINIMUM OF 3 PER 305 mm.

- 43E TOILET-PORCELAIN-ROUND
- 265 CODES/STANDARDS-CSA/CMVSS
- 23T DRAINAGE SYSTEM-HEATED
- 1B1 CODES/STANDARDS USA

<b>WINNEBAGO</b>		COPYRIGHT 2013 WINNEBAGO INDUSTRIES, INC.	
DFT-ORIG	ORIG. DATE	ALL DIMENSIONS ARE IN MILLIMETERS	
CHKR		FIRST USED	
P.E.		13 231W	
M.E.		UNSPECIFIED TOLERANCES ARE:	
DSNR		WHOLE DIM (X)	: 3
		ONE-PLACE (X.X)	: 1.5
		TWO-PLACE (X.XX)	: 0.50
		ANGLE	: 1°
		THIRD ANGLE PROJECTION	
DO NOT SCALE DRAWING		REFER TO ES0018 FOR FASTENER TIGHTENING GUIDELINES	
TITLE: <b>DRAINAGE SYSTEM INSTL</b>			
SHEET 1 OF 5	PART NO	<b>179937</b>	REV
REF:	1	29-Apr-2013	

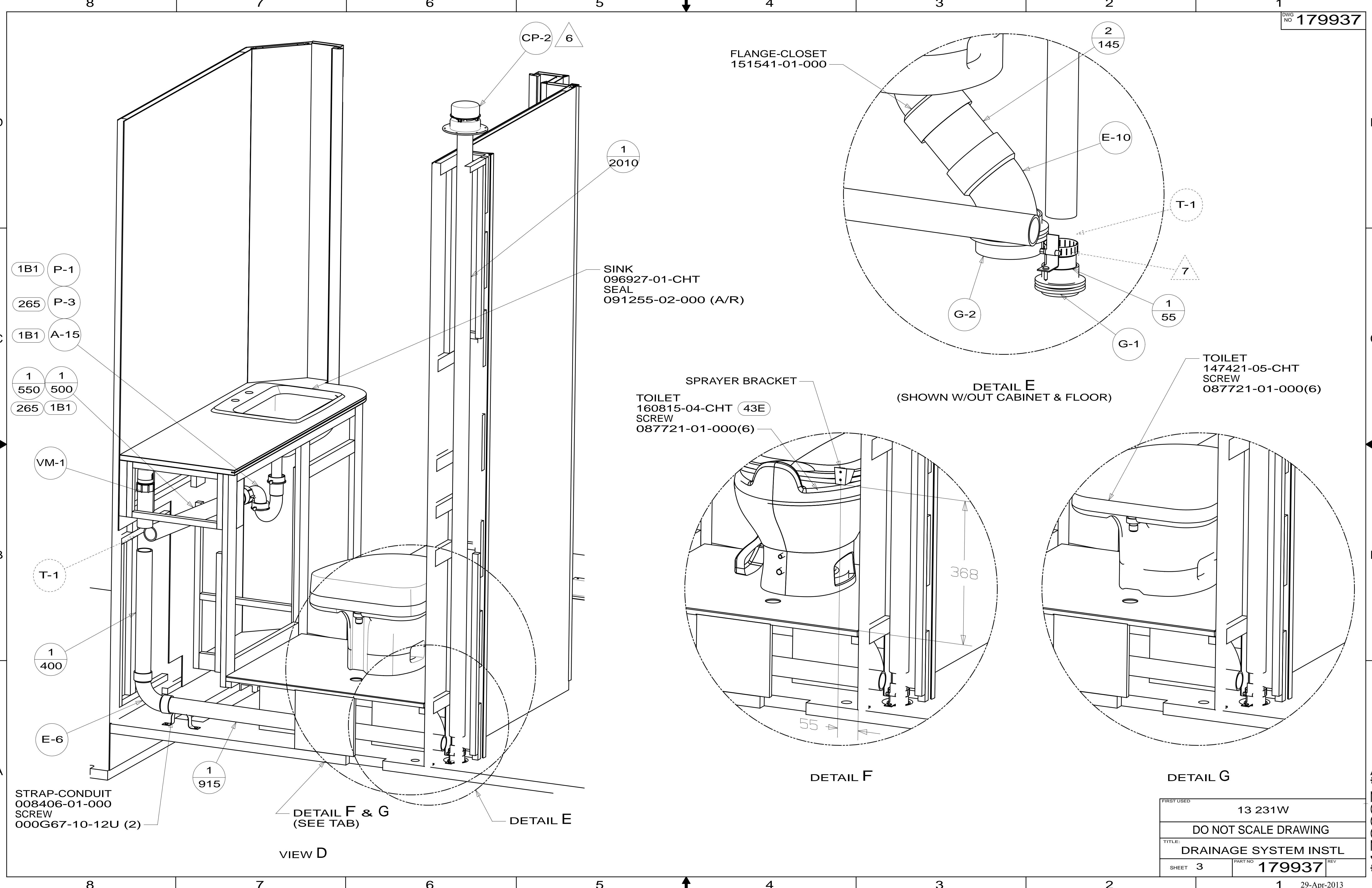
FOR  
DRAINAGE  
CALLOUTS  
SEE DWG NO  
116229-01-000

\* 179937 \* A



FIRST USED	13 231W	
TITLE:	DRAINAGE SYSTEM INSTL	
SHEET 2	PART NO 179937	REV
		29-Apr-2013

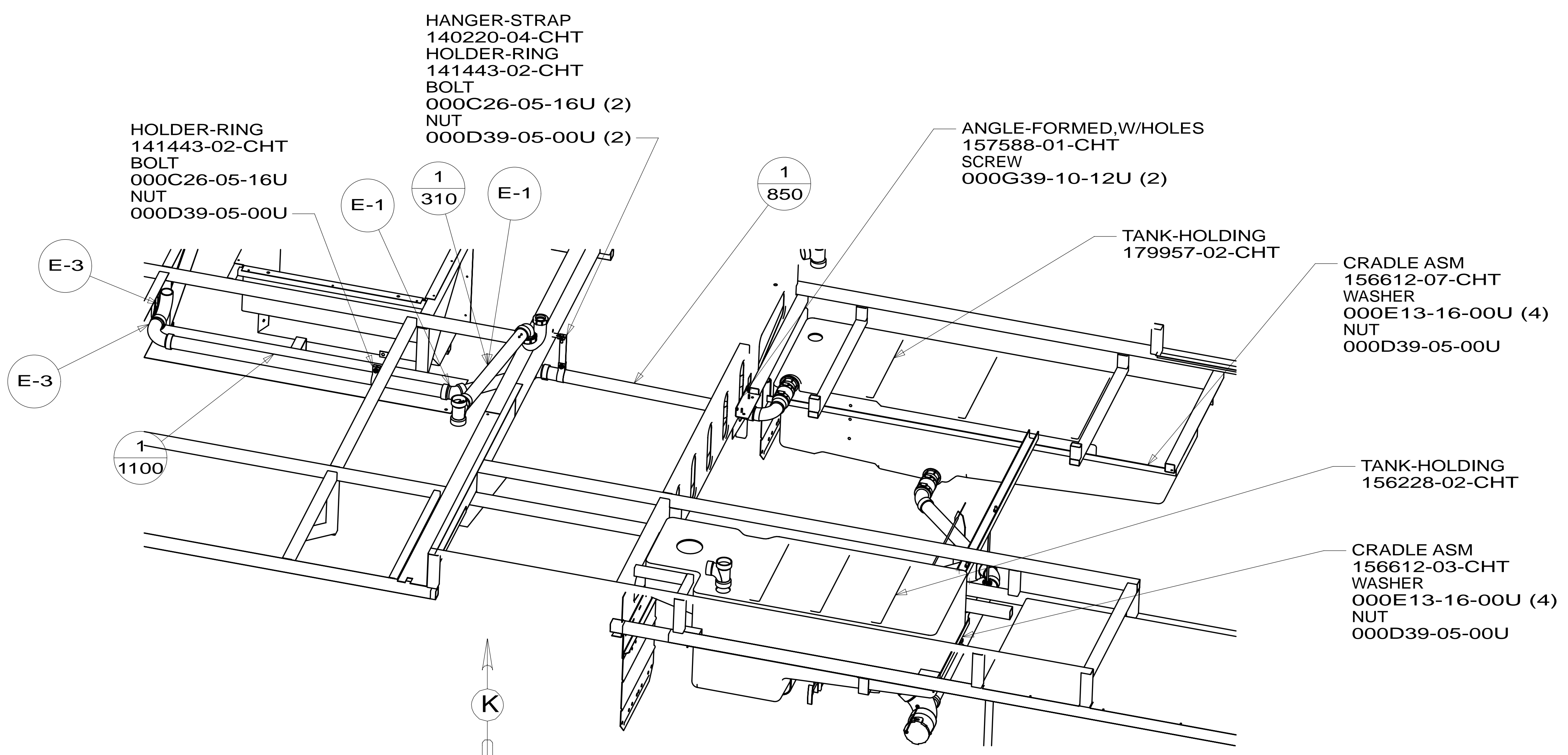
\* 179937 \* A



VIEW D

FIRST USED	13 231W
DO NOT SCALE DRAWING	
TITLE: DRAINAGE SYSTEM INSTL	
SHEET 3	PART NO 179937 REV
29-Apr-2013	

\*179937 \*A



VIEW J  
(SHOWING ONLY TANKS AND DRAINS)

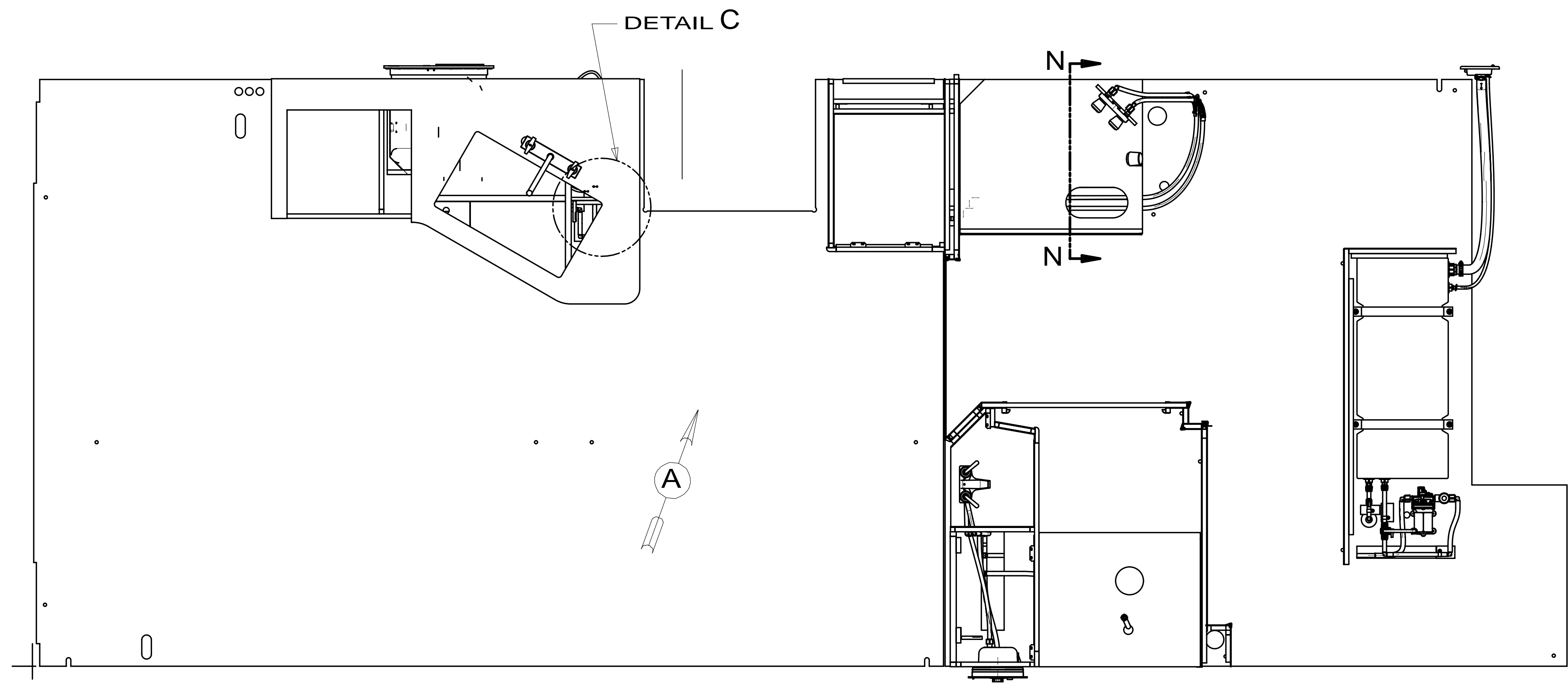
FIRST USED	13 231W		
DO NOT SCALE DRAWING			
TITLE: DRAINAGE SYSTEM INSTL			
SHEET 4	PART NO	179937	REV
		1	29-Apr-2013

\* 179937 \* A



DWG NO	VIEW	MODEL
180669-01	E,H,K	231W
180669-02	F,J,L	231WP

RELEASE	REV DATE	DWG NO	180669
REV ZONE	REVISION RECORD	DATE	DFTR-ORIG

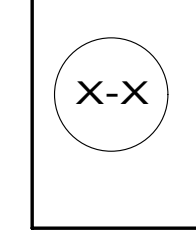


- 64R EXTERIOR WASH STATION
- 53Z WTR HTR-6GAL/110/LP/MTR/AUTO
- 1J4 EXT WASH STATION-WITHOUT
- 53F WATER HEATER-ELEC IGNITION

9. INSTALL BYPASS PLUG FOR SYSTEM TESTING AND SHIPPING.
8. ALL CRIMP FITTINGS TO 1/2" PEX TUBING REQUIRE 1/2" CLAMP 140171-03-000.
7. ALL CRIMP FITTINGS TO 5/8" PEX TUBING REQUIRE 5/8" CLAMP 140171-04-000.
6. LABEL HOT AND COLD SUPPLY TUBES AND TAPE FITTING TO TUBE BEFORE CABINET SET TO PREVENT MOVEMENT.
5. ADD PIPE WRAP (LADDER SCRAP 110157-02-000) INSULATION.
4. ADD TEFLON TAPE 010405-02-000.
3. ALL TUBING TO BE SECURED AT 1200 INTERVALS MAXIMUM WITH CLAMP 010495-01-000 AND SCREW 000G67-10-12U OR EQUIVALENT.
2. TUBING TO BE INSTALLED WITH SUFFICIENT SLOPE TO PROVIDE DRAINAGE TO NEAREST VALVE.
1. PLASTIC FITTINGS TO BE SEALED WITH SEALANT 084456-01-000.

		COPYRIGHT 2013 WINNEBAGO INDUSTRIES, INC.	
DFTR	ORIG. DATE	ALL DIMENSIONS ARE IN MILLIMETERS	
CHKR			
P.E.			
M.E.	FIRST USED		
DSNR		13 231W	
UNSPECIFIED TOLERANCES ARE:		MATERIAL:	
WHOLE DIM (X)	: 3		
ONE-PLACE (X.X)	: 1.5		
TWO-PLACE (X.XX)	: 0.50		
ANGLE	: 1°		
THIRD ANGLE PROJECTION			
DO NOT SCALE DRAWING		REFER TO ES0018 FOR FASTENER TIGHTENING GUIDELINES	
TITLE: WATER SYSTEM INSTL			
SHEET 1 OF 4	PART NO	180669	REV
REF:	1	20-Aug-2013	

FOR WATER CALLOUTS SEE DWG NO 116230-01-000



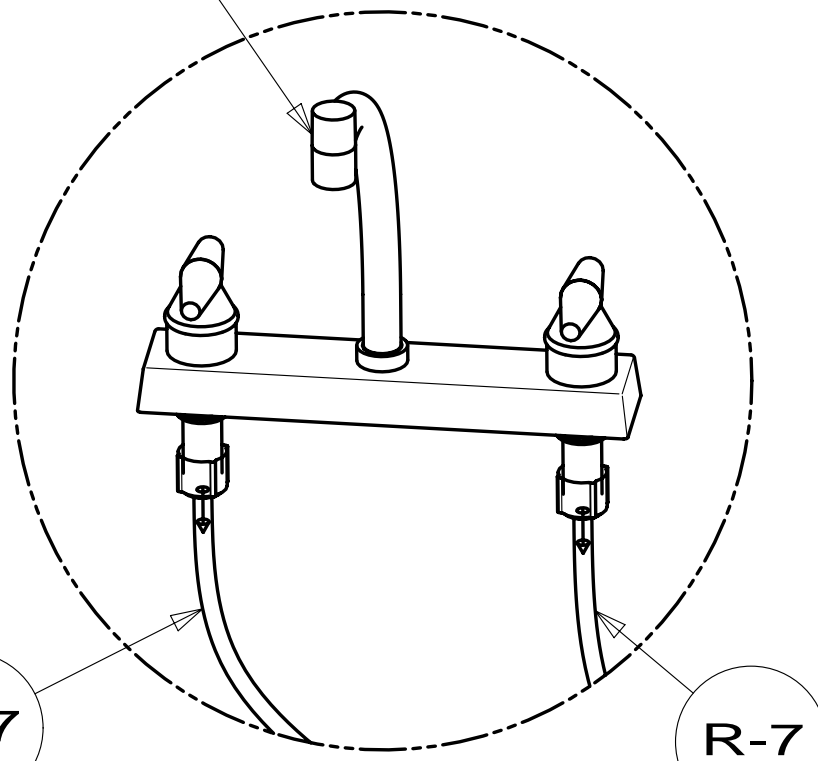
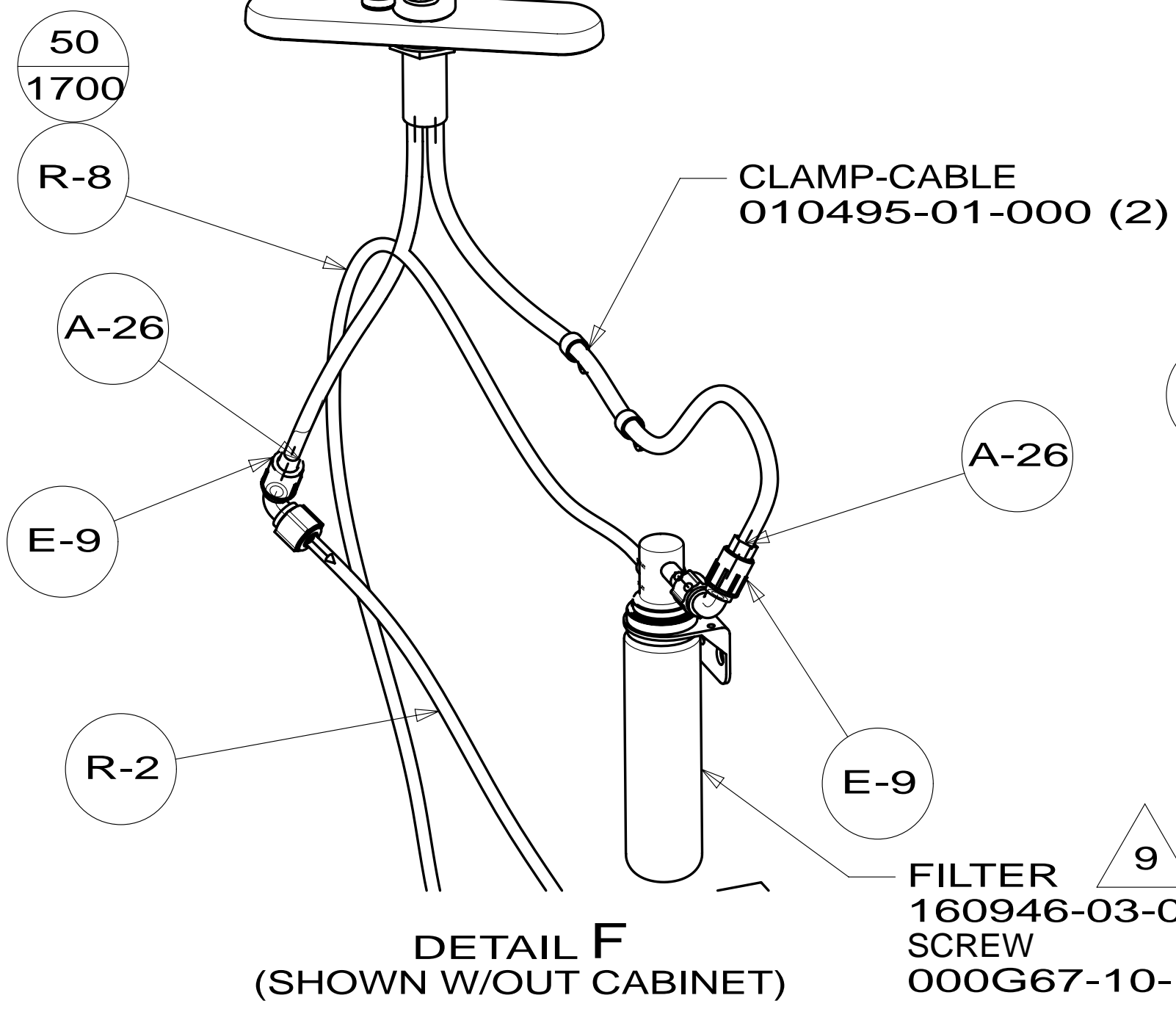
A \* 180669



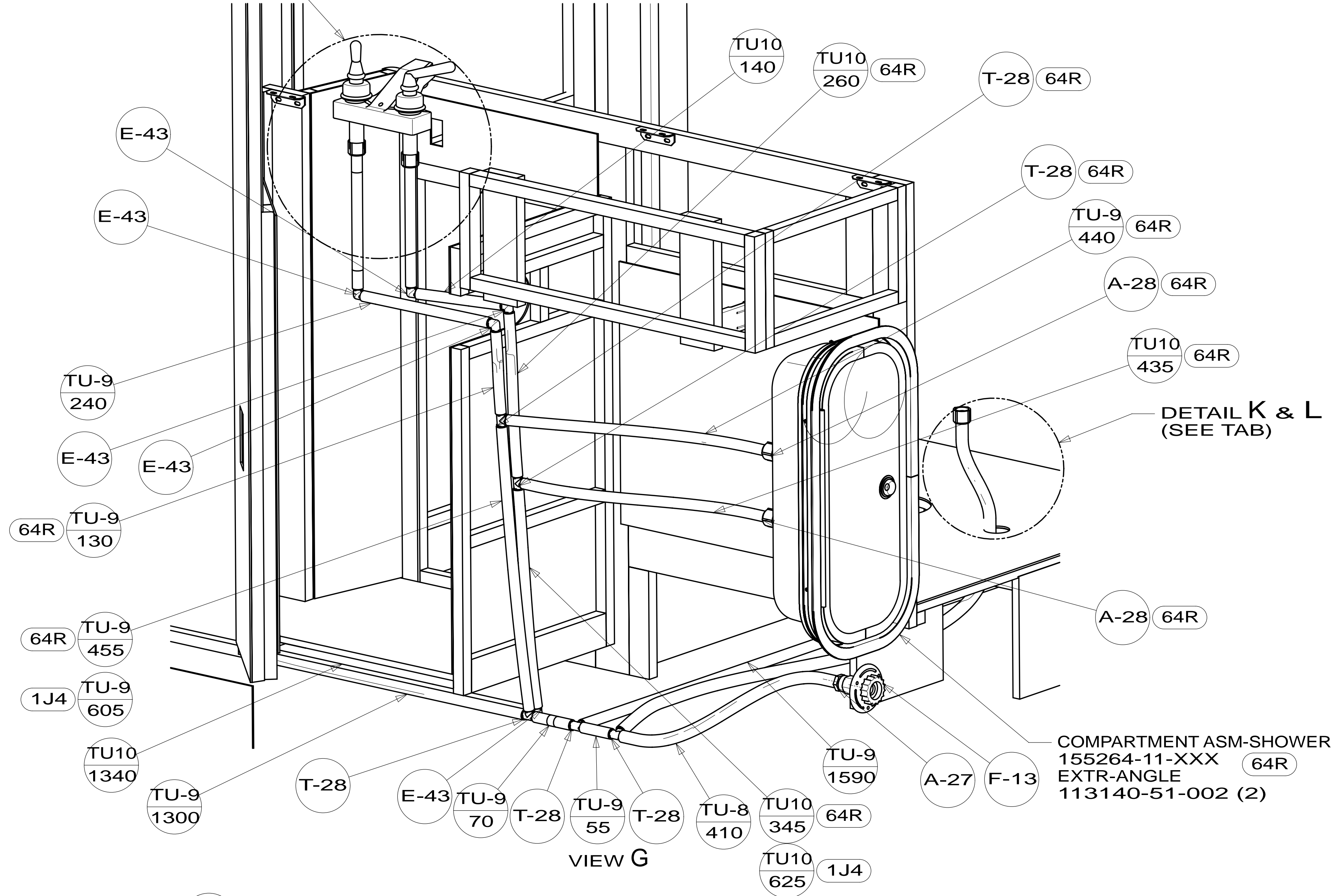
FAUCET-GALLEY, SGL CONTROL  
149164-01-CHT

FAUCET-GALLEY, DUAL LEVERS  
140117-03-CHT

DETAIL H & J  
(SEE TAB)



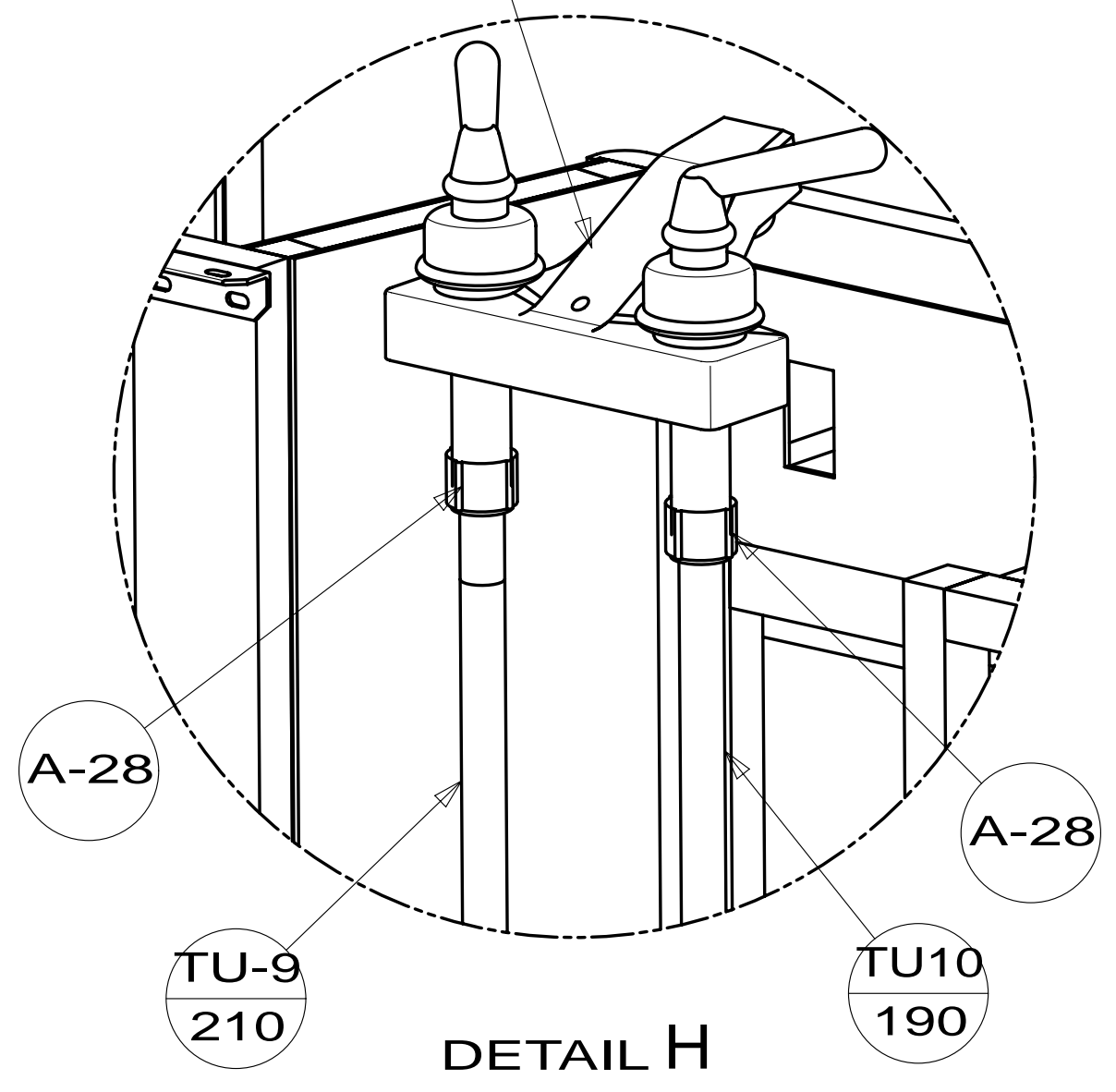
DETAIL E  
(SHOWN W/OUT CABINET)



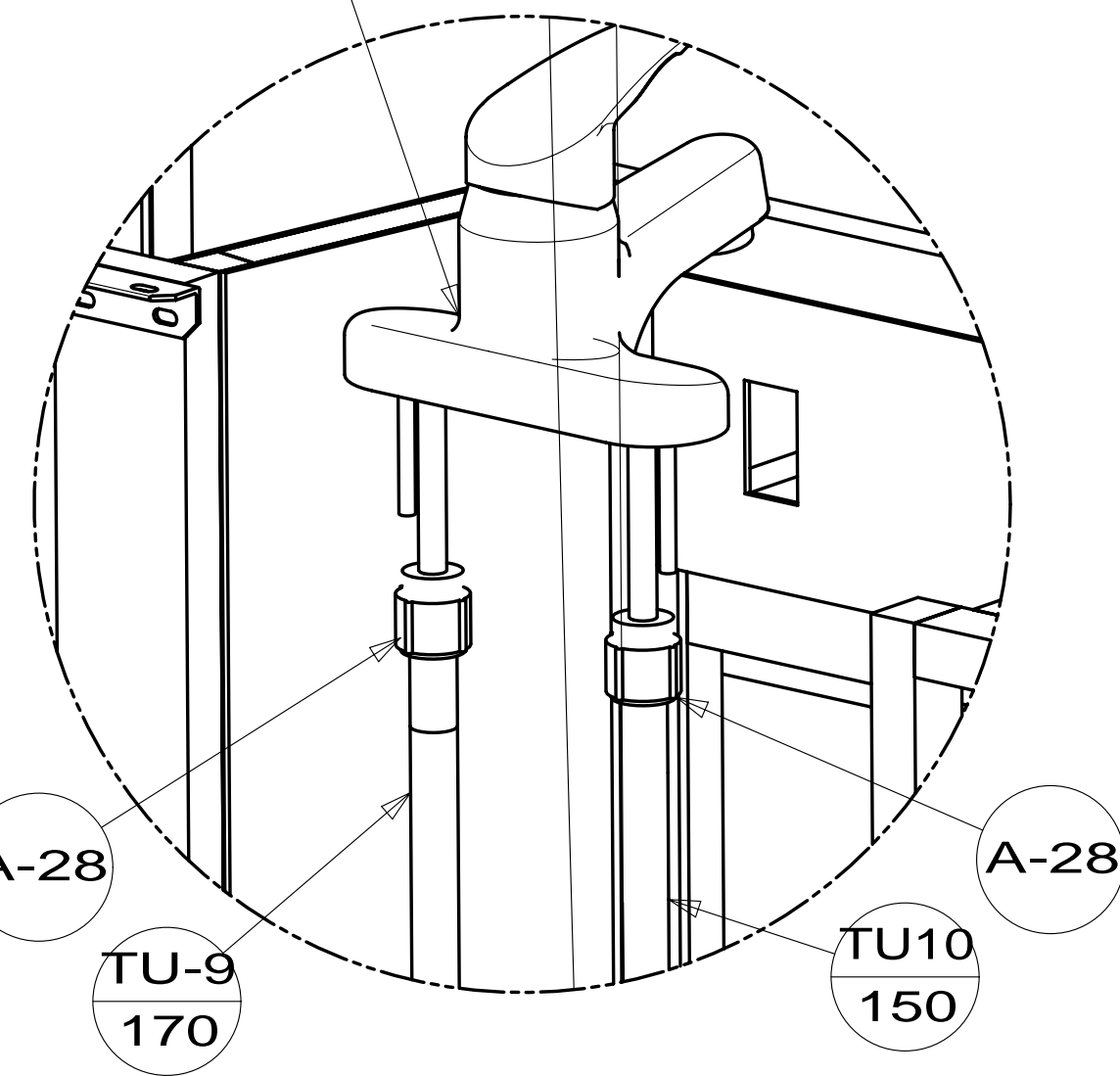
VIEW G

FAUCET-LAV, DUAL CONTROL  
148886-03-CHT

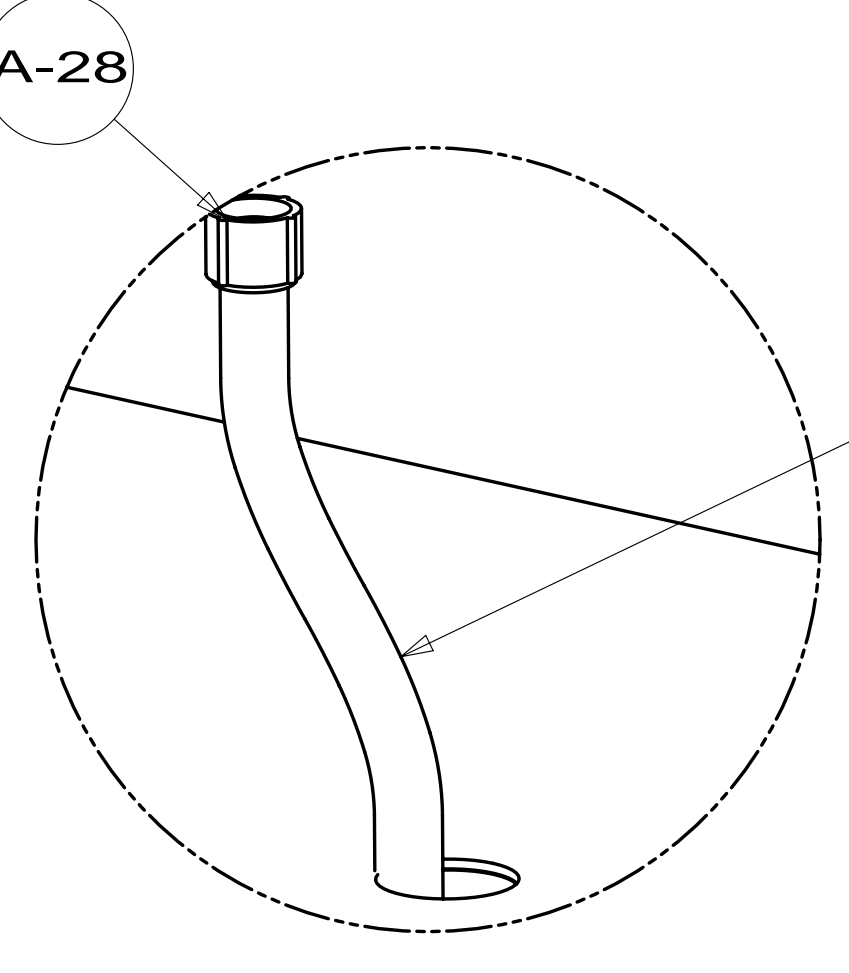
FAUCET-LAV  
165730-01-CHT



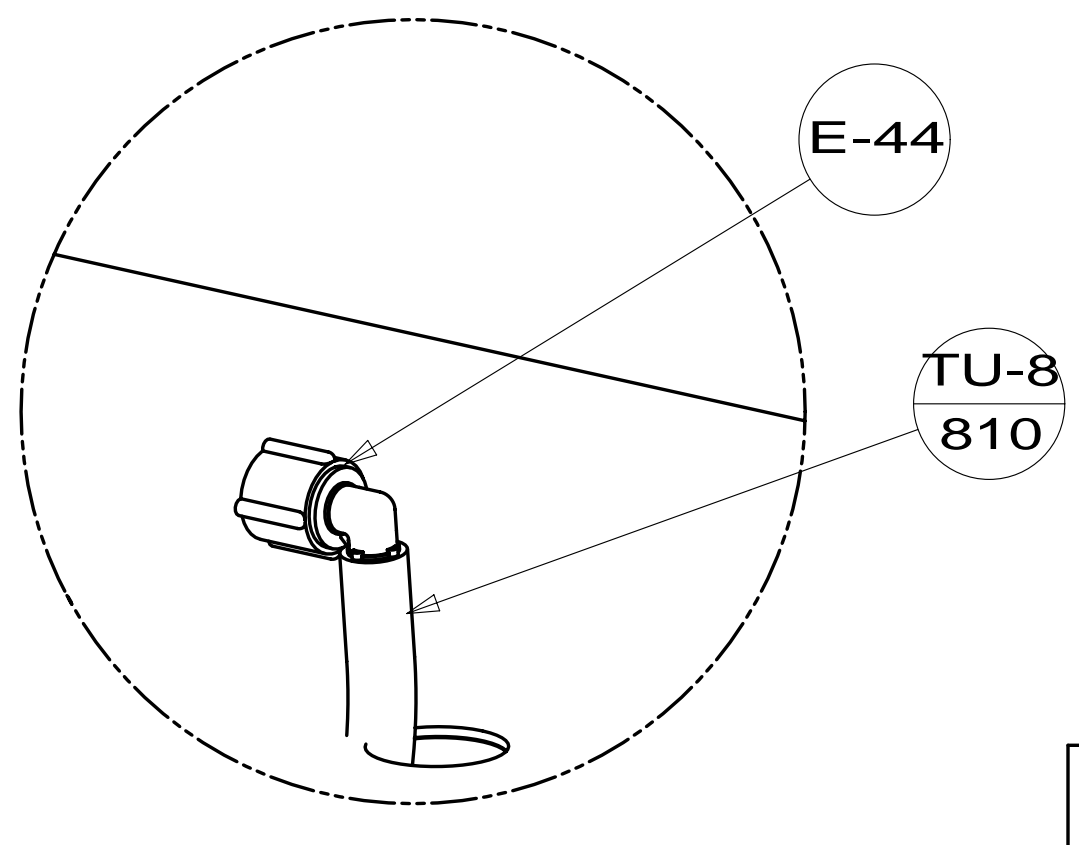
DETAIL H



DETAIL J



DETAIL K

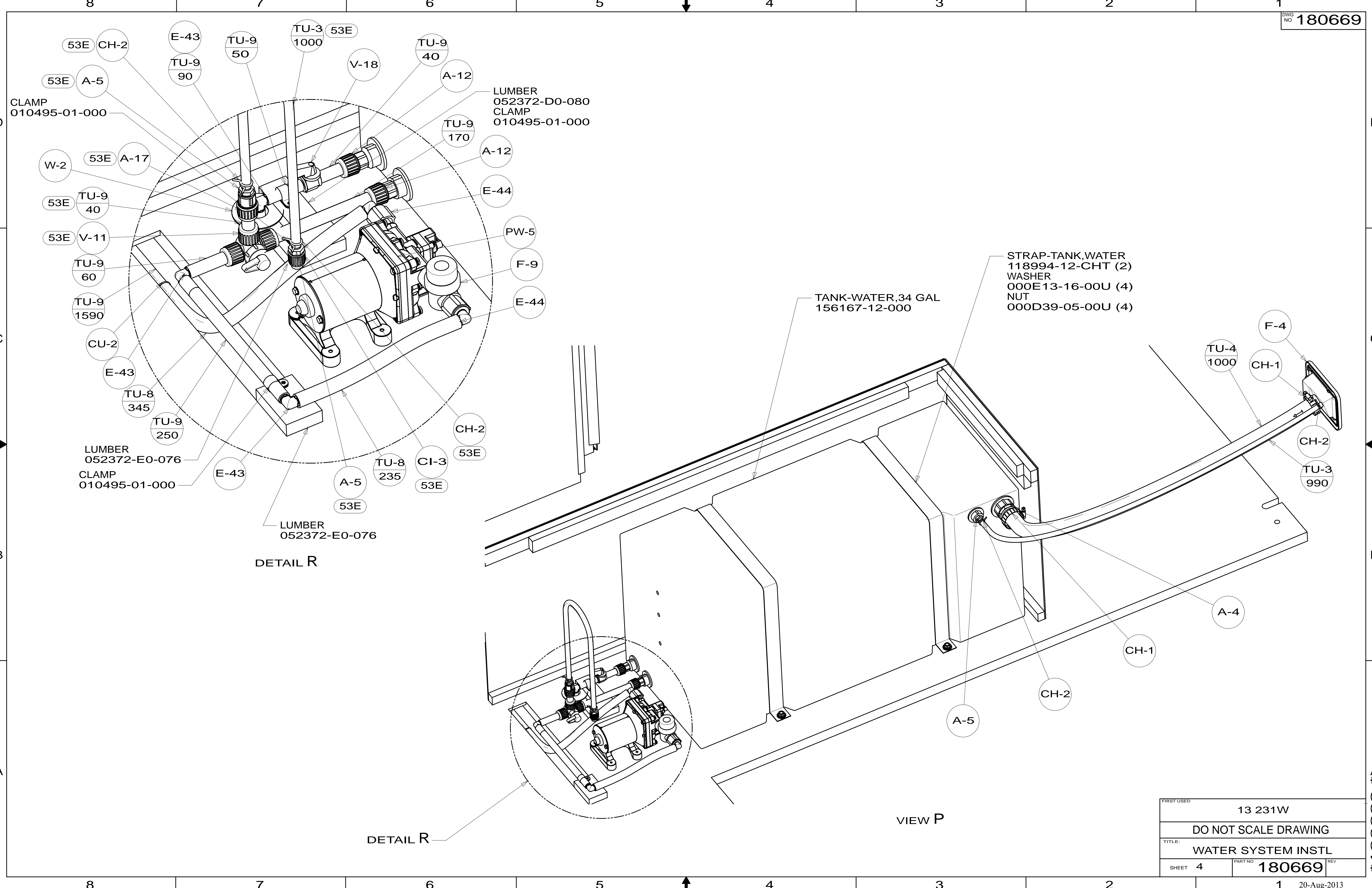


DETAIL L

FIRST USED	13 231W	
TITLE:	DO NOT SCALE DRAWING	
SHEET 3	PART NO	180669
	REV	
20-Aug-2013		

A \* 180669





CLAMP  
010495-01-000

LUMBER  
052372-D0-080  
CLAMP  
010495-01-000

TANK-WATER,34 GAL  
156167-12-000

STRAP-TANK,WATER  
118994-12-CHT (2)  
WASHER  
000E13-16-00U (4)  
NUT  
000D39-05-00U (4)

LUMBER  
052372-E0-076  
CLAMP  
010495-01-000

LUMBER  
052372-E0-076

DETAIL R

DETAIL R

VIEW P

FIRST USED	13 231W		
TITLE:	DO NOT SCALE DRAWING		
SHEET	4	PART NO	180669
		REV	