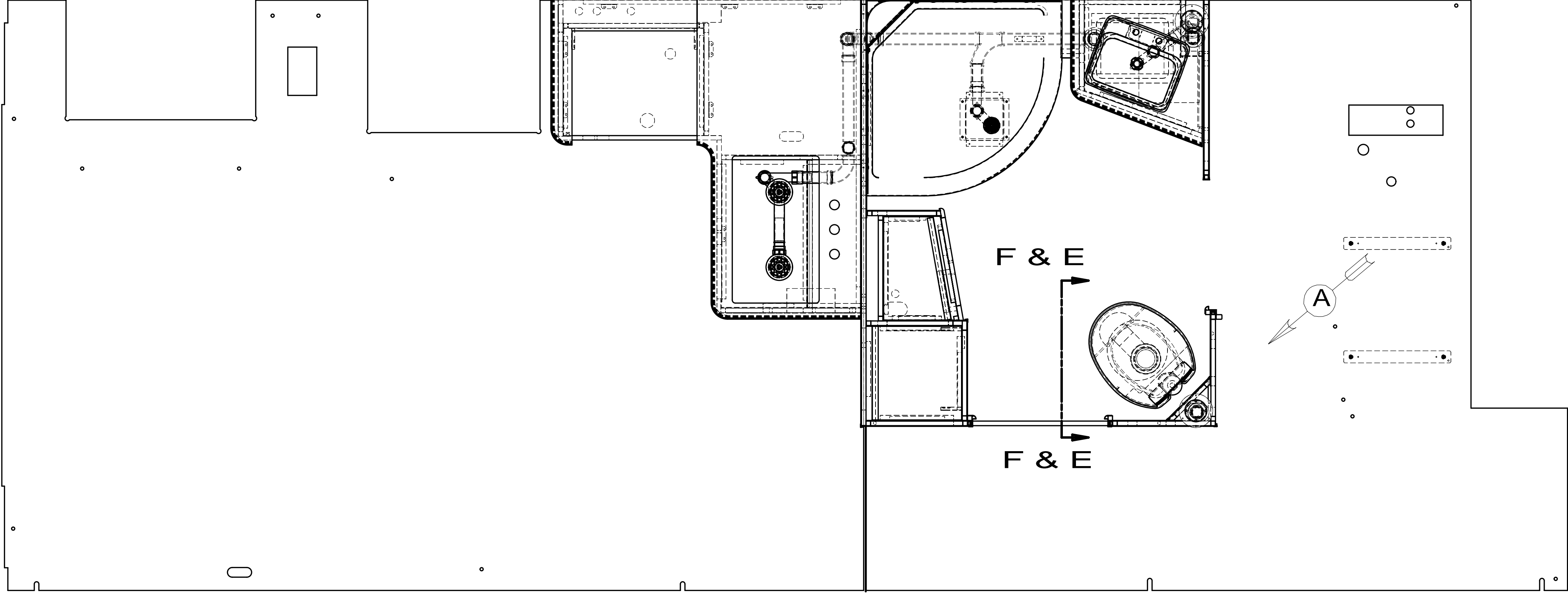


DWG NO	MODEL	SECTION	SINK	STRAINER
181383-01	231R	E-E	179864-01-CHT	092303-01-000
181383-02	231RP	F-F	179864-02-CHT	163569-01-000

RELEASE	REV DATE	DWG NO	181383
REV ZONE	REVISION RECORD	DATE	DFT-ORIG

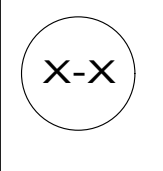


- 10. USE SMOOTH PLUMBERS PUTTY 167459-01-000 TO SEAL STRAINER (0.2 PER STRAINER).
- 9. PREP THE SURFACE PER MANUFACTURERS INSTRUCTIONS, THEN APPLY ADHESIVE 067788-04-000 (0.10) ON PREPARED AREA BEFORE APPLYING THE HEATING PAD PER MANUFACTURERS INSTRUCTIONS.
- 8. SECURE PIPES TO CABINET USING WIRE TIE 108046-02-000 AND SCREW 000G67-10-12B.
- 7. SECURE VENT TUBES TO FLOOR WITH CLAMP 062401-02-000 (2), SCREW 000G67-10-12B (2), AND BRACKET 136878-01-CHT (2).
- 6. VENT PIPE MUST PROJECT 51 MIN AND 64 MAX ABOVE ROOF FOR PROPER FIT AND FUNCTION.
- 5. SEAL AROUND SHOWER WITH SILICONE.
- 4. SEE WIRING INSTL-BODY, 12V FOR ELECTRICAL CONNECTION.
- 3. ALL PIPE AND FITTINGS TO BE ASSEMBLED WITH SOLVENT 004020-01-000 (USA), 004020-02-000 (CAN)
- 2. SLOPE OF TRAP ARM MUST BE 6 PER 305 mm.
- 1. SLOPE OF HORIZONTAL PIPING TO BE MIN 3 PER 305 mm.

- 1B1 CODES/STANDARDS-USA
- 265 CODES/STANDARDS-CSA/CMVSS
- 23T DRAINAGE SYSTEM-HEATED

		COPYRIGHT 2013 WINNEBAGO INDUSTRIES, INC.	
DFT-ORIG	ORIG. DATE	ALL DIMENSIONS ARE IN MILLIMETERS	
CHKR			
P.E.			
M.E.	FIRST USED	13 231R	
DSNR			
UNSPECIFIED TOLERANCES ARE:		MATERIAL:	
WHOLE DIM (X)	: 3		
ONE-PLACE (X.X)	: 1.5		
TWO-PLACE (X.XX)	: 0.50		
ANGLE	: 1°		
THIRD ANGLE PROJECTION			
DO NOT SCALE DRAWING		REFER TO ES0018 FOR FASTENER TIGHTENING GUIDELINES	
TITLE: DRAINAGE SYSTEM INSTL			
SHEET 1 OF 3	PART NO	181383	REV
REF:	1	06-Jun-2013	

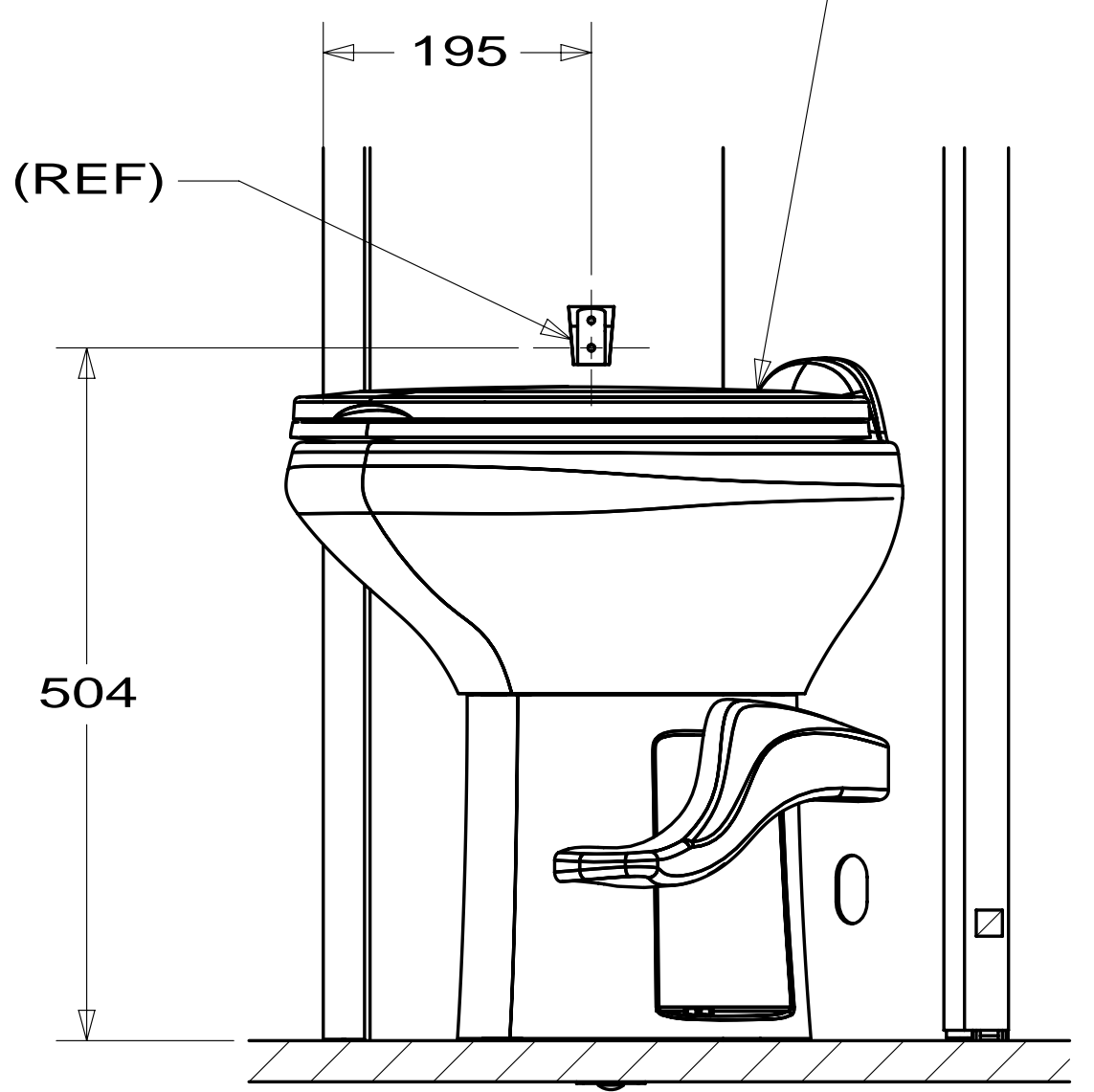
FOR DRAINAGE CALLOUTS SEE DWG NO 116229-01-000



NOTES:

* 181383 *

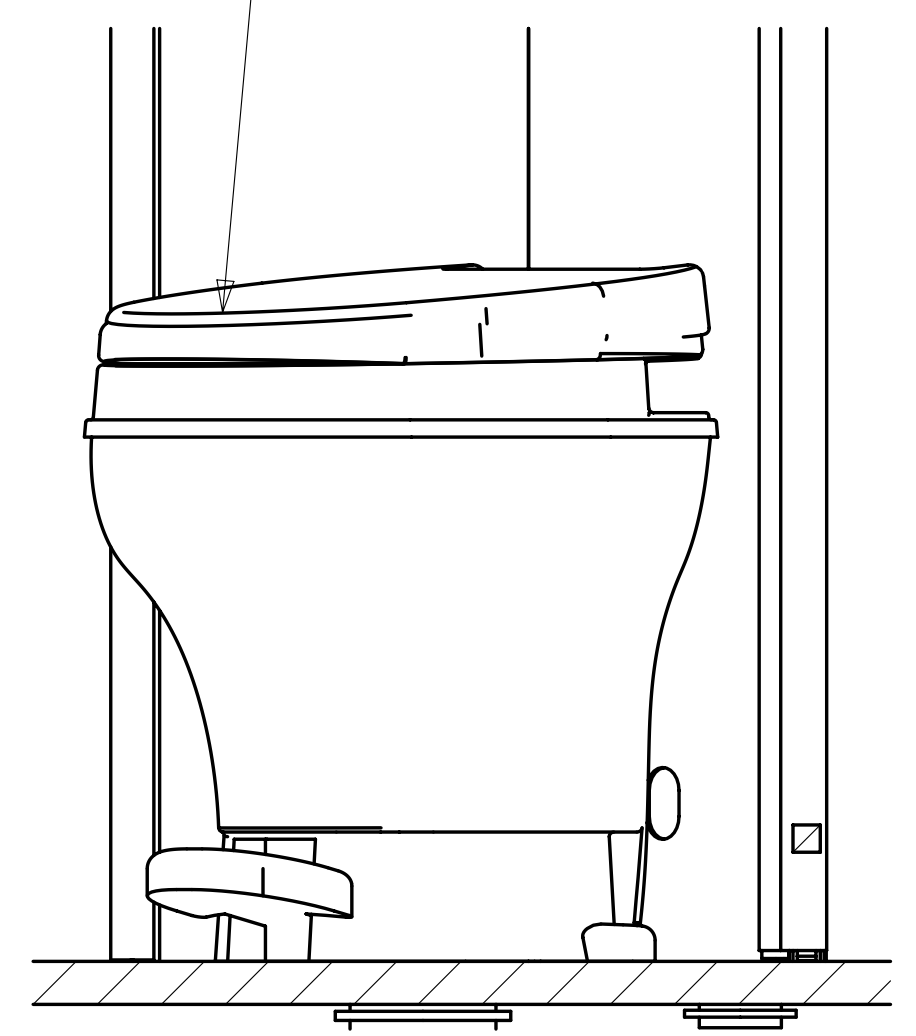
TOILET
160815-01-CHT
SCREW
087721-01-000 (8)



SECTION F-F

SINK
(SEE TAB)
STRAINER
(SEE TAB) (2)
SEAL
091255-03-000
(2130)

TOILET
147421-04-CHT
SCREW
087721-01-000 (6)



SECTION E-E

SINK
096927-01-CHT
SEAL
091255-02-000(A/R)

1B1 A-15

265 P-3

1B1 P-1

265 1 130

1B1 1 80

T-1

E-5

E-5

1 440

P-1 1B1

P-3 265

A-15 1B1

7 G-1

C-3 1 55

1 340

1 410

1 55

7 G-1

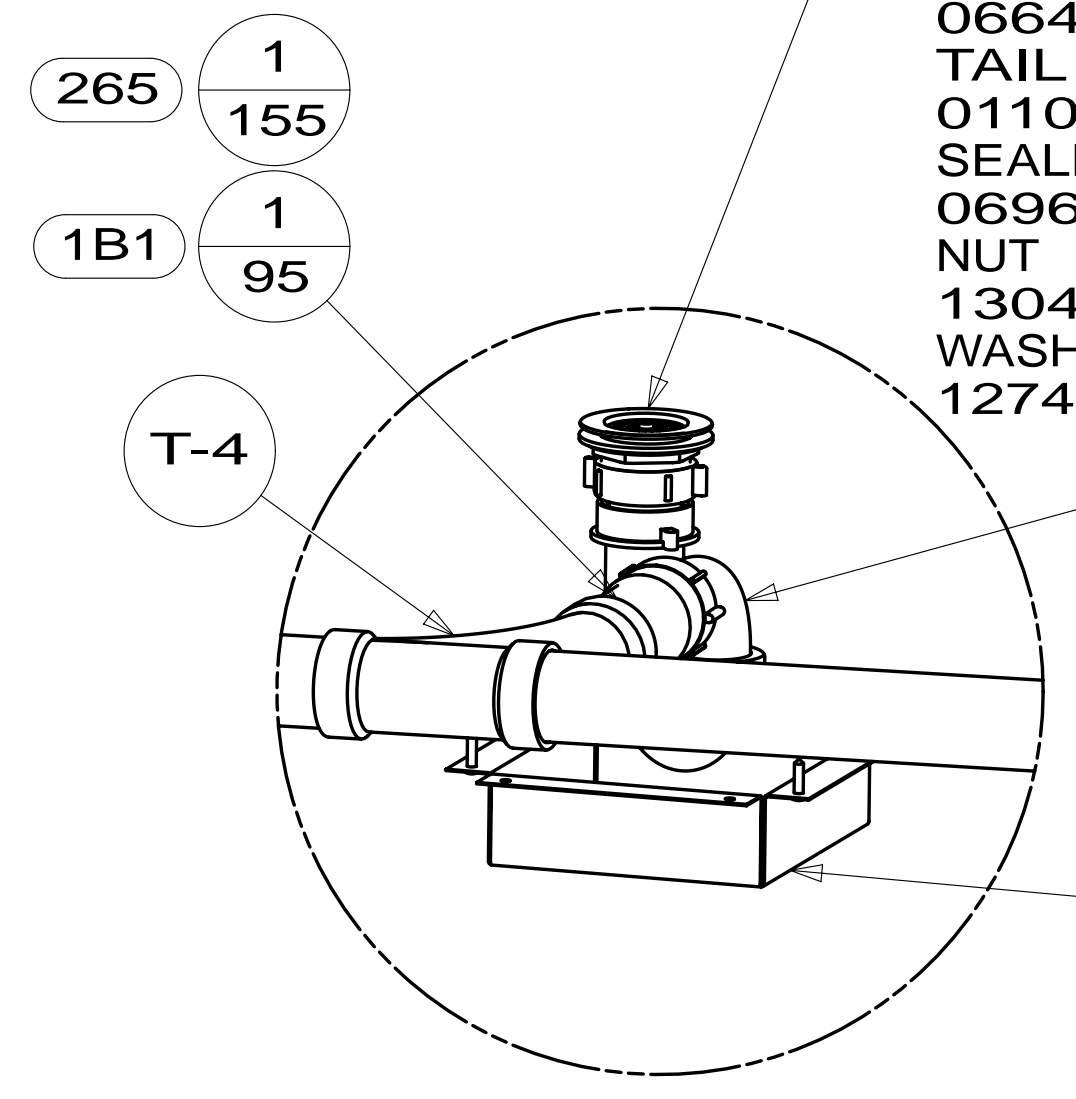
COVER-P-TRAP
15526-03-CHT
SCREW
000G67-10-12U(8)
SEALANT
072889-18-000

STRAP-CONDUIT, 2"
008406-01-000

VIEW B

SHOWER-ASM
168115-07-000
STAINER
066440-01-000
TAIL PIECE
011069-06-000
SEALER
069640-01-000
NUT
130403-01-000
WASHER-RUBBER
127440-02-CHT

VIEW A



DETAIL C

C-3

1 55

7 G-1

265 1 155

1B1 1 95

T-4

8

7

6

5

4

3

2

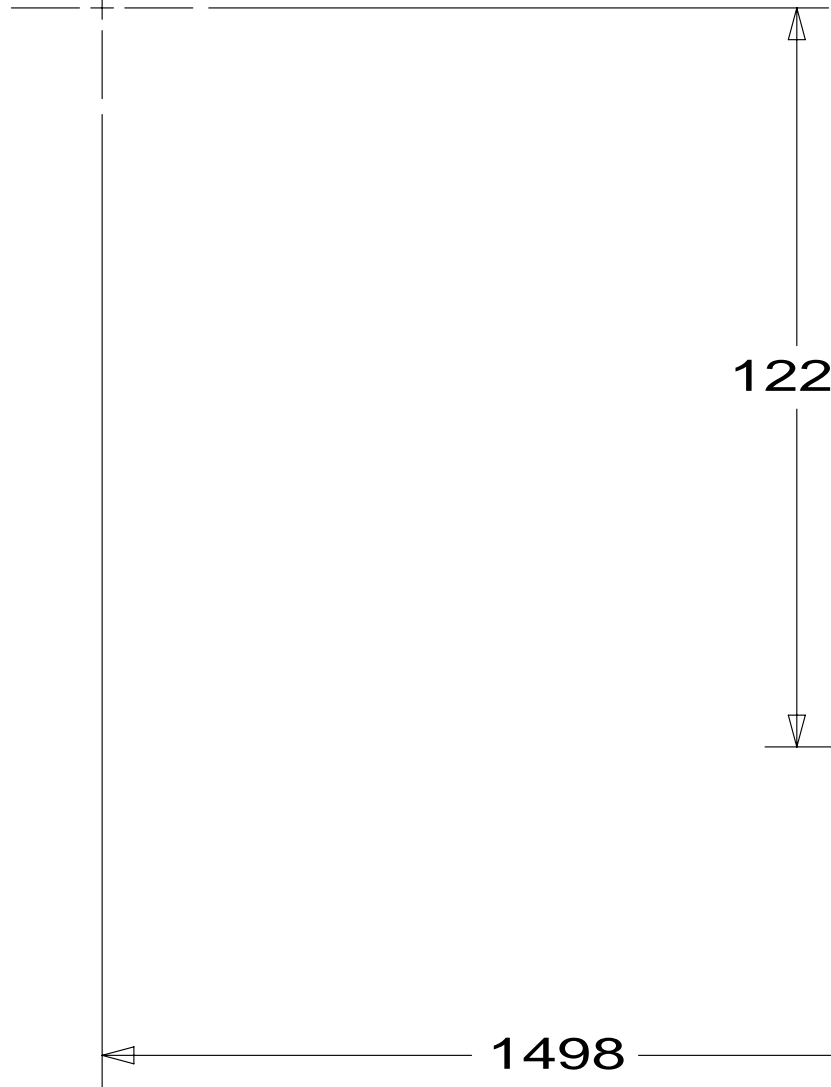
1

06-Jun-2013

* 181383 * A

FIRST USED	13 231R	
TITLE:	DO NOT SCALE DRAWING	
TITLE:	DRAINAGE SYSTEM INSTL	
SHEET 2	PART NO	181383
	REV	

VEHICLE
FRONT AXLE



1222

1498

DATUM

TOP VIEW
(SHOWN W/OUT FLOOR)

60

101

4641

21

120

1896

4432

333

PAD-HEATER
133972-01-000
INSTALL PER
MANUFACTURERS LABEL

4

23T

9

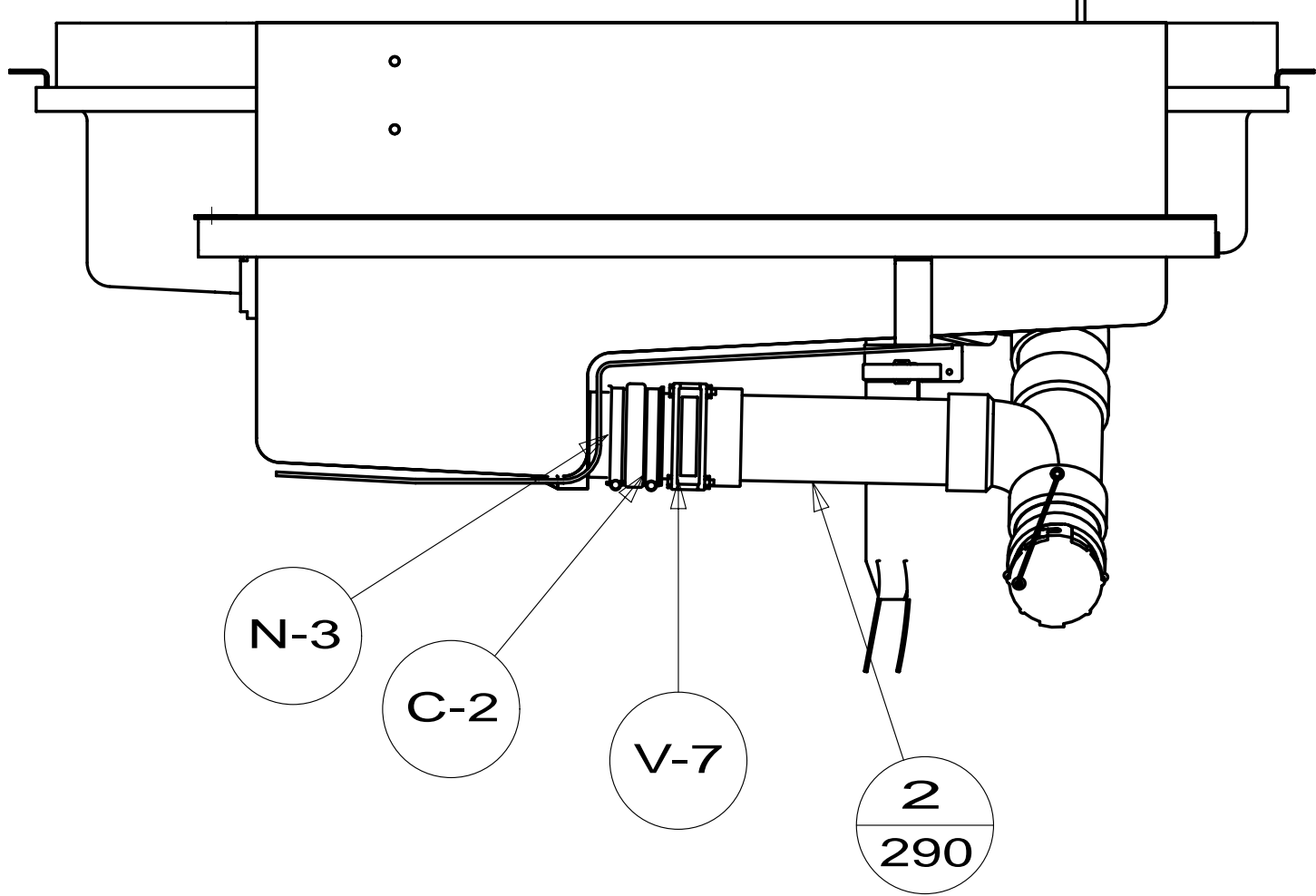
D

PAD-HEATER
133972-01-000
INSTALL PER
MANUFACTURERS LABEL

9

23T

4



N-3

C-2

V-7

2
290

TANK-HOLDING
169281-02-000

CRADLE ASM
156612-04-CHT
WASHER
000E13-16-00U (4)
NUT
000D39-05-00U (4)

CABLE-VALVE,REMOTE
062421-11-000

CP-1

A-4

E-7

T-6

2
115

E-9

2
710

E-9

2
75

VALVE
129147-01-000

HANGER-STRAP
140220-19-CHT
BOLT
000C18-05-40U
NUT
000D39-05-00U
HOLDER-RING
141443-05-CHT
BOLT
000C26-05-16U
NUT
000D39-05-00U

CRADLE ASM
156612-02-CHT
WASHER
000E13-16-00U (4)
NUT
000D39-05-00U (4)

TANK-HOLDING
156229-06-CHT

N-3

C-2

E-10

2
340

PAD-HEATER,ELBOW
133972-05-000

4

9

23T

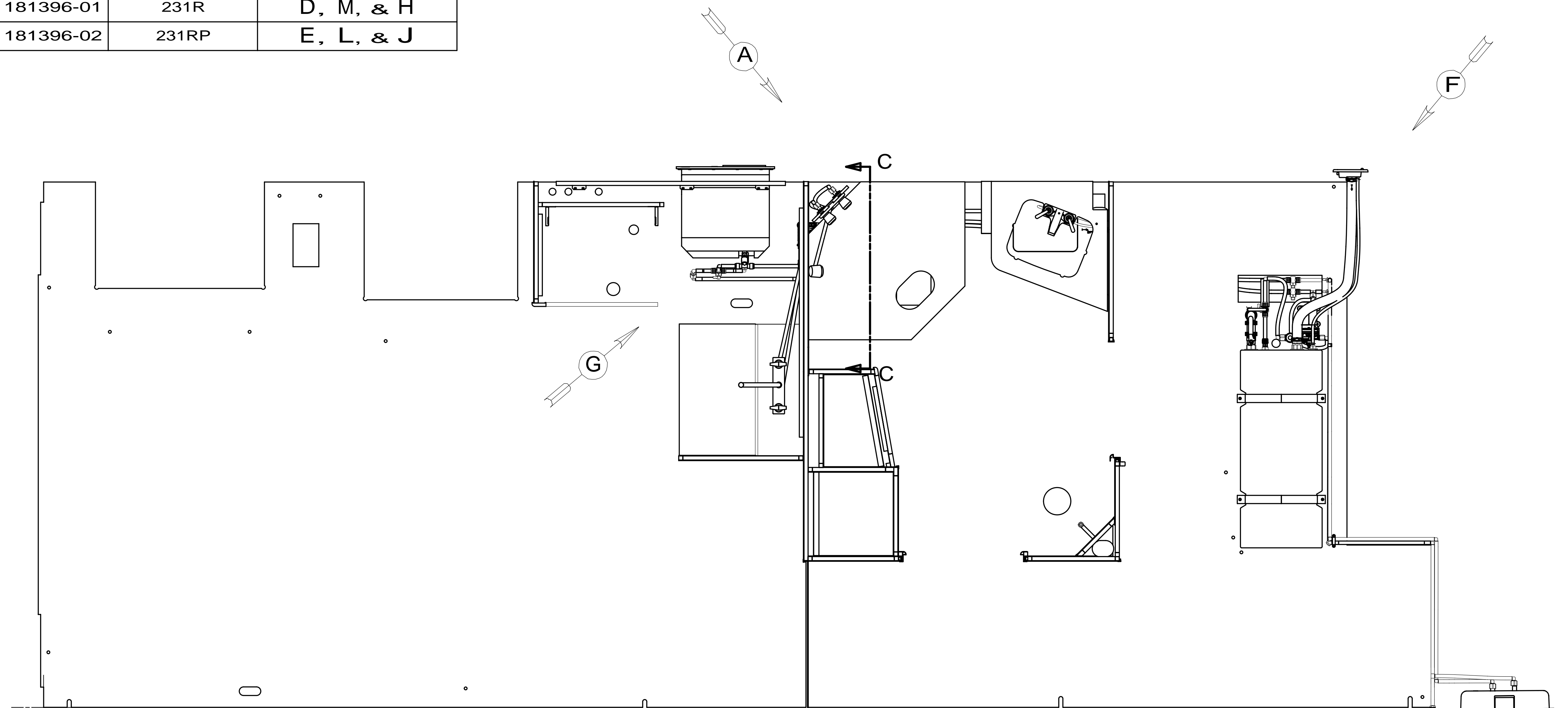
VIEW D
(ROTATED)

FIRST USED	13 231R
DO NOT SCALE DRAWING	
TITLE: DRAINAGE SYSTEM INSTL	
SHEET 3	PART NO 181383 REV
1 06-Jun-2013	

* 181383 * A

DWG NO	MODEL	VIEWS OR DETAILS
181396-01	231R	D, M, & H
181396-02	231RP	E, L, & J

RELEASE	REV DATE	DWG NO	181396
REV ZONE	REVISION RECORD	DATE	DFTR-ORIG

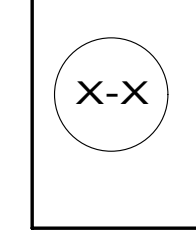


- 1J4 EXT WASH STATION - WITHOUT
- 64R EXTERIOR WASH STATION
- 53Z WATER HTR-6,GAS/120/IGN,REM
- 53F WATER HEATER-ELEC. IGNITION
- 53E WATER SYS WINTERIZATION PKG

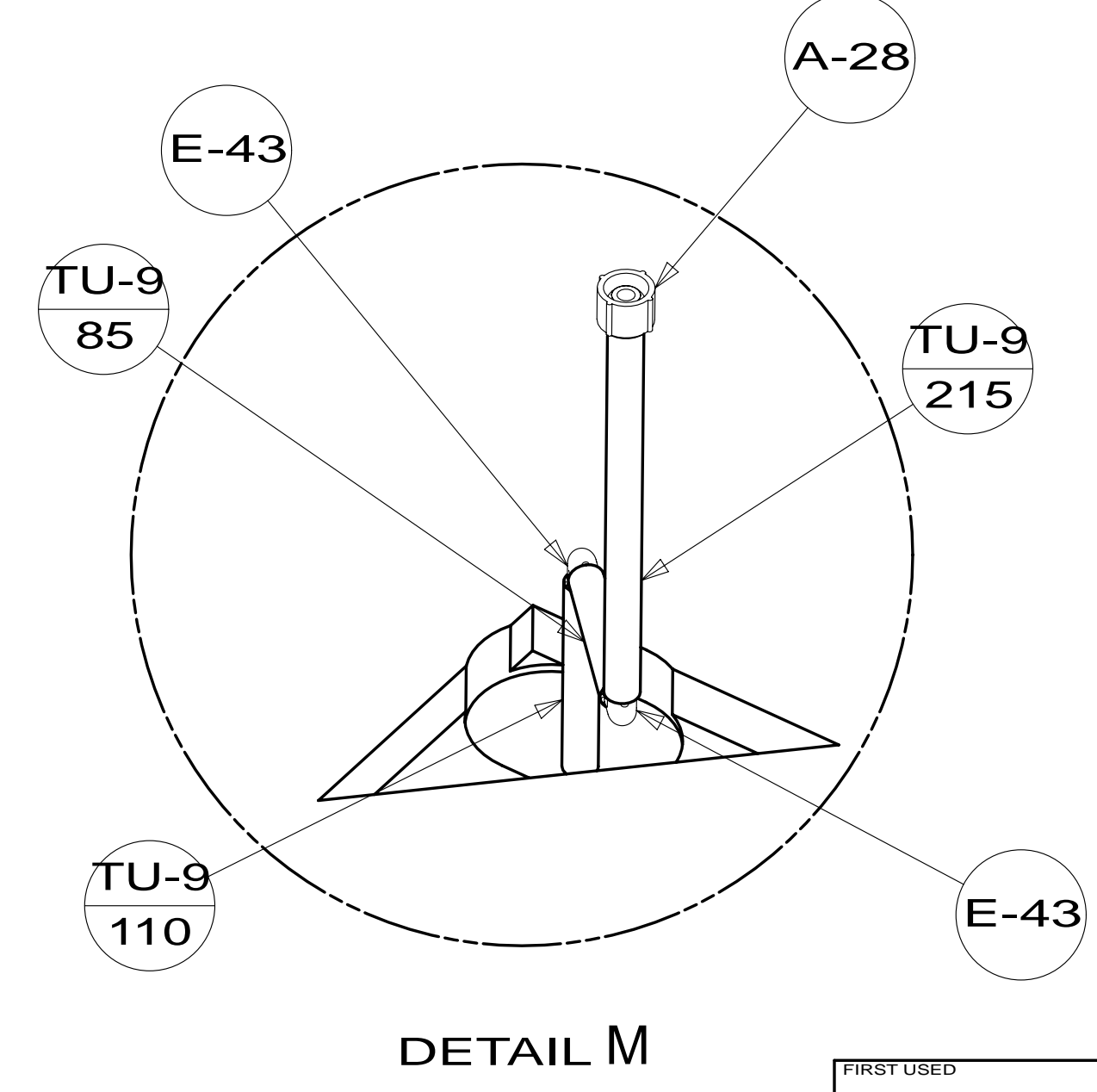
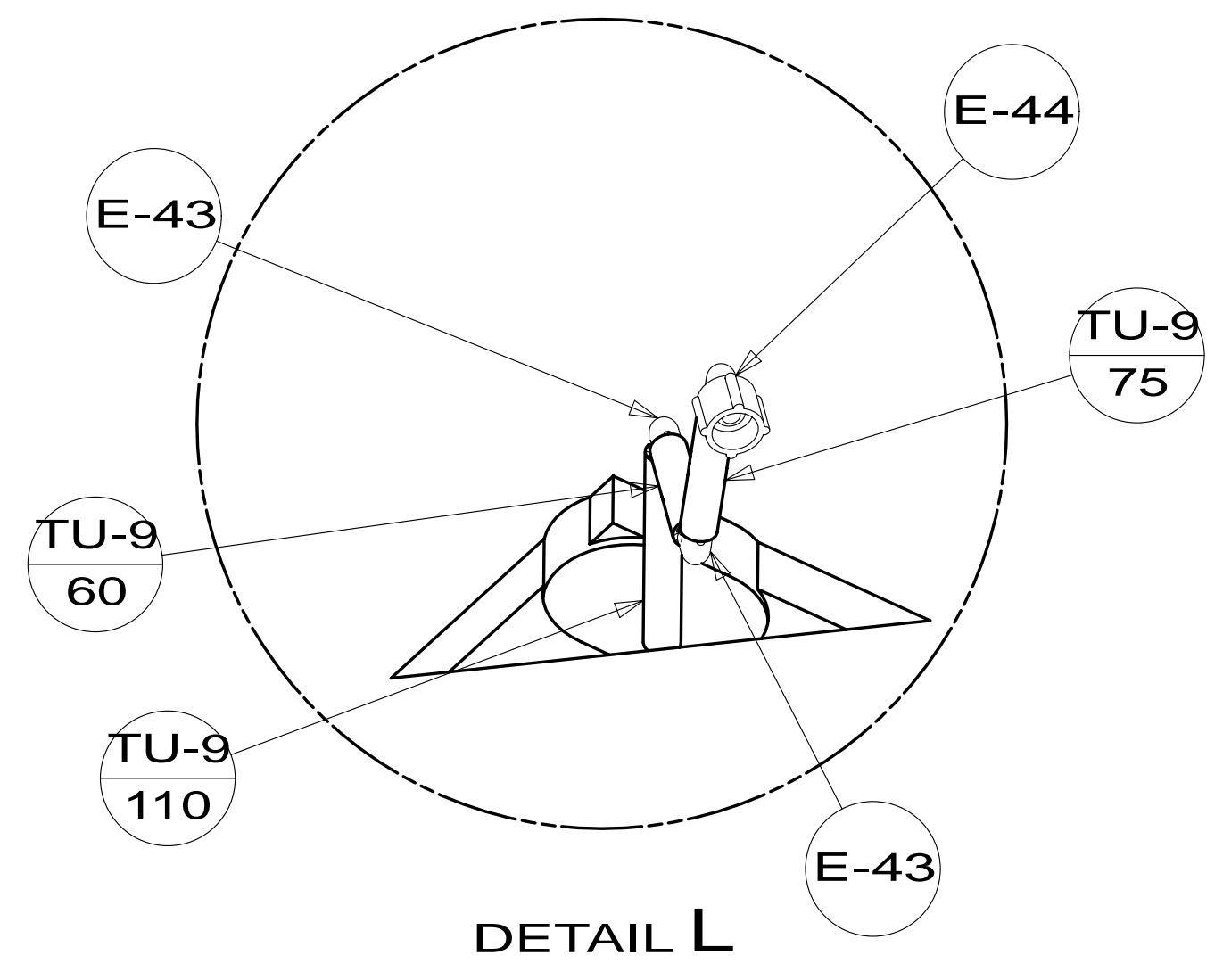
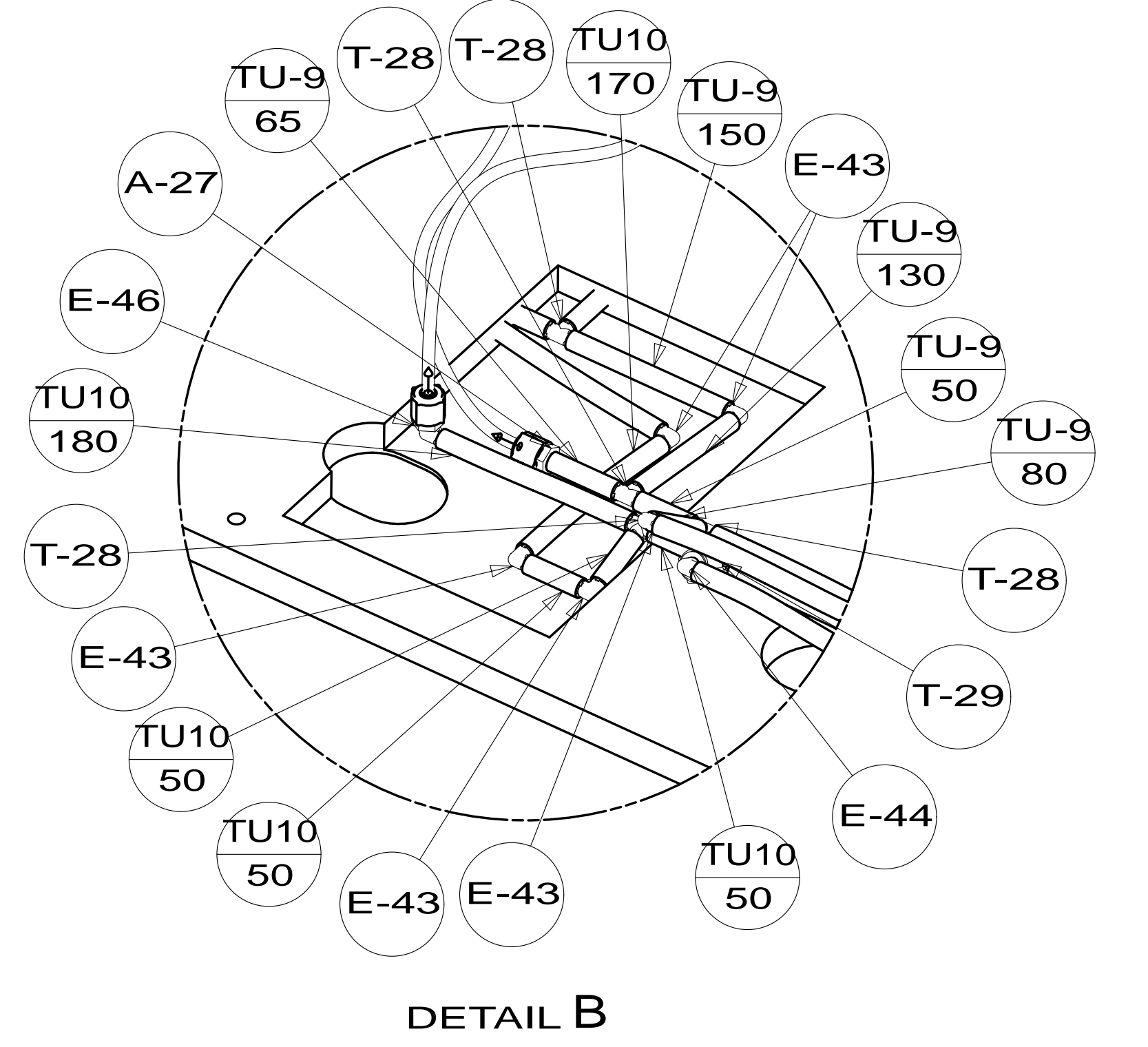
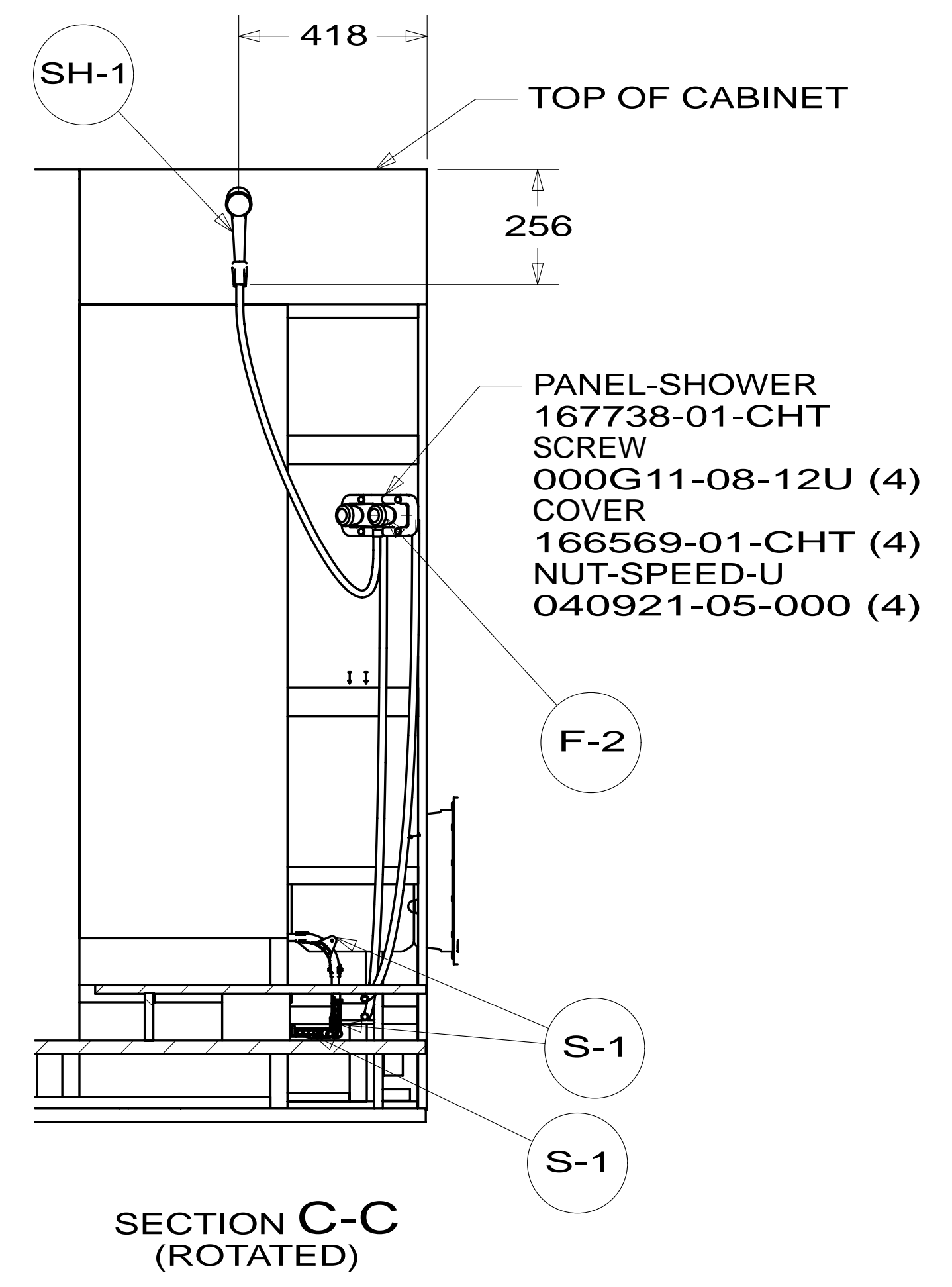
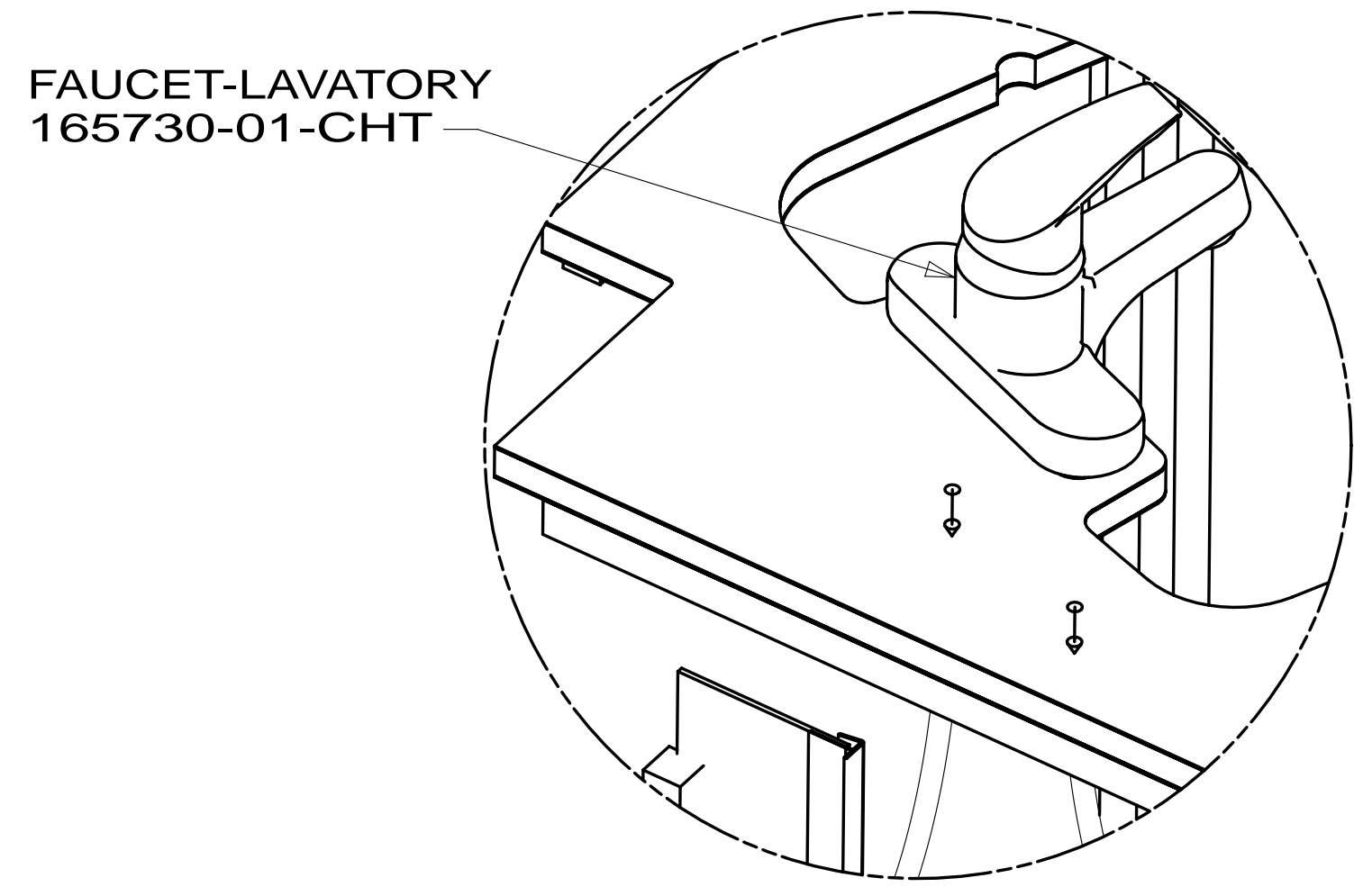
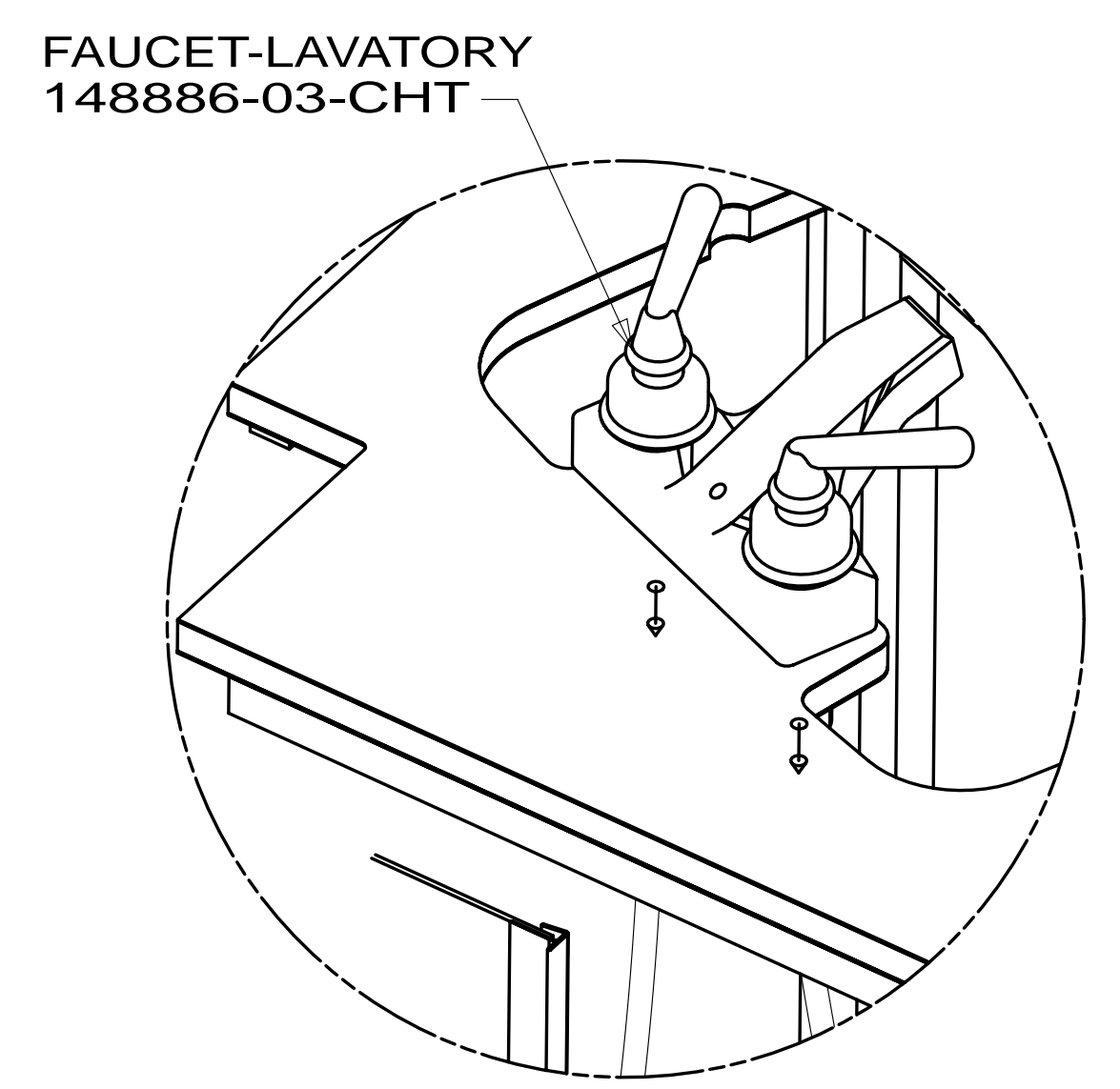
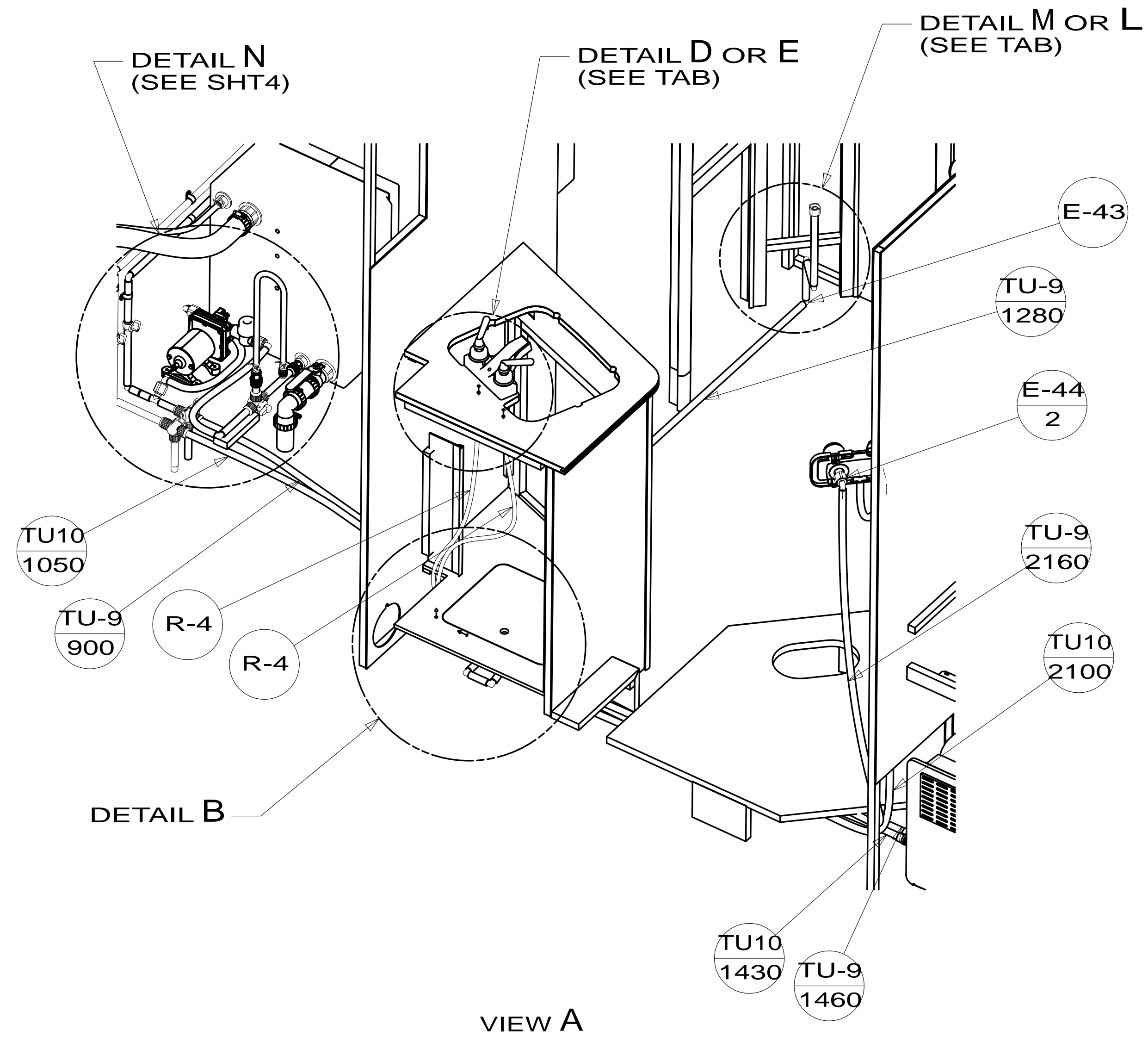
8. ALL CRIMP FITTINGS TO 1/2" PEX TUBING REQUIRE 1/2" CLAMP 140171-03-000.
7. ALL CRIMP FITTINGS TO 5/8" PEX TUBING REQUIRE 5/8" CLAMP 140171-04-000.
- 6 LABEL HOT AND COLD SUPPLY TUBES AND TAPE FITTING TO TUBE BEFORE CABINET SET TO PREVENT MOVEMENT.
- 5 ADD PIPE WRAP (LADDER SCRAP 110157-02-000) INSULATION.
- 4 ADD TEFLON TAPE 010405-02-000.
3. ALL TUBING TO BE SECURED AT 1200 INTERVALS MAXIMUM WITH CLAMP 010495-01-000 AND SCREW 000G67-10-12U OR EQUIVALENT.
2. TUBING TO BE INSTALLED WITH SUFFICIENT SLOPE TO PROVIDE DRAINAGE TO NEAREST VALVE.
1. PLASTIC FITTINGS TO BE SEALED WITH SEALANT 084456-01-000.

WINNEBAGO		COPYRIGHT 2013 WINNEBAGO INDUSTRIES, INC.	
DFTR	ORIG. DATE	ALL DIMENSIONS ARE IN MILLIMETERS	
CHKR			
P.E.			
M.E.	FIRST USED		
DSNR		13 231R	
UNSPECIFIED TOLERANCES ARE:		MATERIAL:	
WHOLE DIM (X)	: 3		
ONE-PLACE (X.X)	: 1.5		
TWO-PLACE (X.XX)	: 0.50		
ANGLE	: 1°		
THIRD ANGLE PROJECTION			
DO NOT SCALE DRAWING		REFER TO ES0018 FOR FASTENER TIGHTENING GUIDELINES	
TITLE: WATER SYSTEM INSTL			
SHEET 1 OF 4	PART NO	181396	REV
REF:	1	19-Aug-2013	

FOR WATER CALLOUTS SEE DWG NO 116230-01-000



* 181396 * A



FIRST USED	13 231R	
TITLE:	DO NOT SCALE DRAWING	
TITLE:	WATER SYSTEM INSTL	
SHEET 2	PART NO 181396	REV
		19-Aug-2013

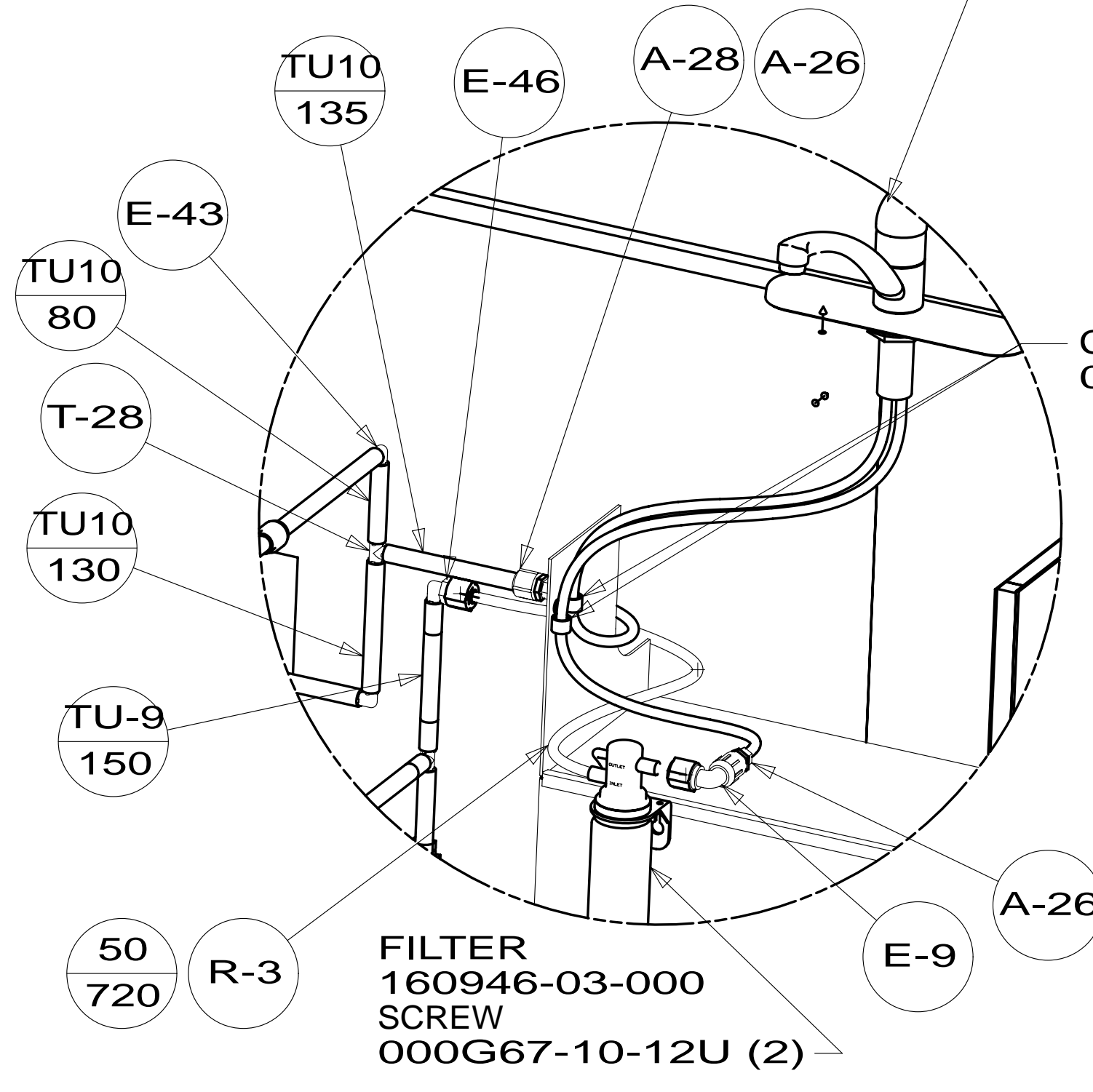
* 181396 *

FAUCET-GALLEY
149164-01-CHT

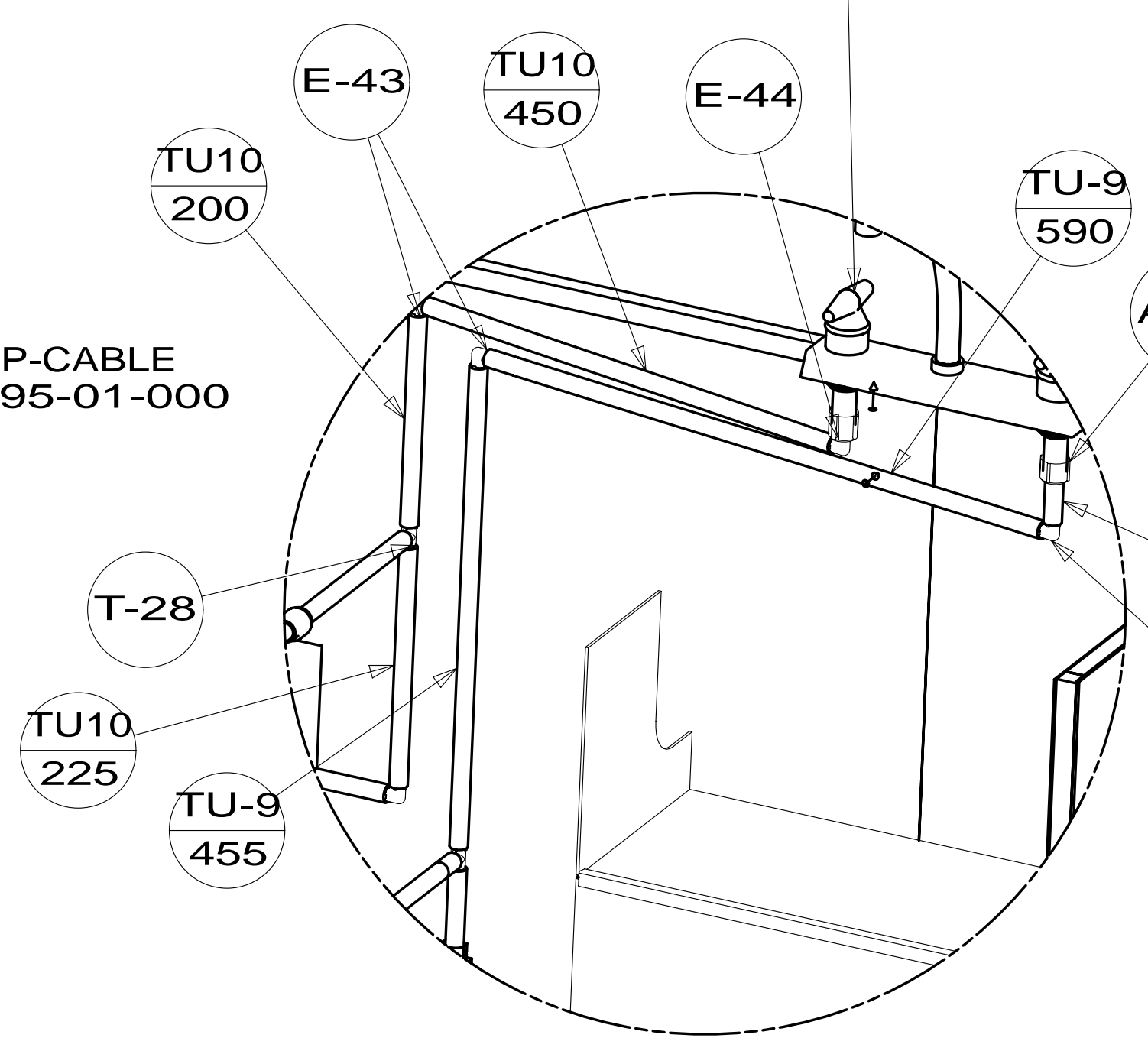
FAUCET-GALLEY
140117-03-CHT

- 53F WATER HEATER 051391-03-000
- 53Z 145541-02-000
- DOOR 125420-06-CHT
- AL EXTR 002726-51-017 (2)
- 002726-51-018 (2)
- SCREW 000G39-10-16U (20)
- CABLE 076767-03-000
- SCREW 000G11-06-08U (2)

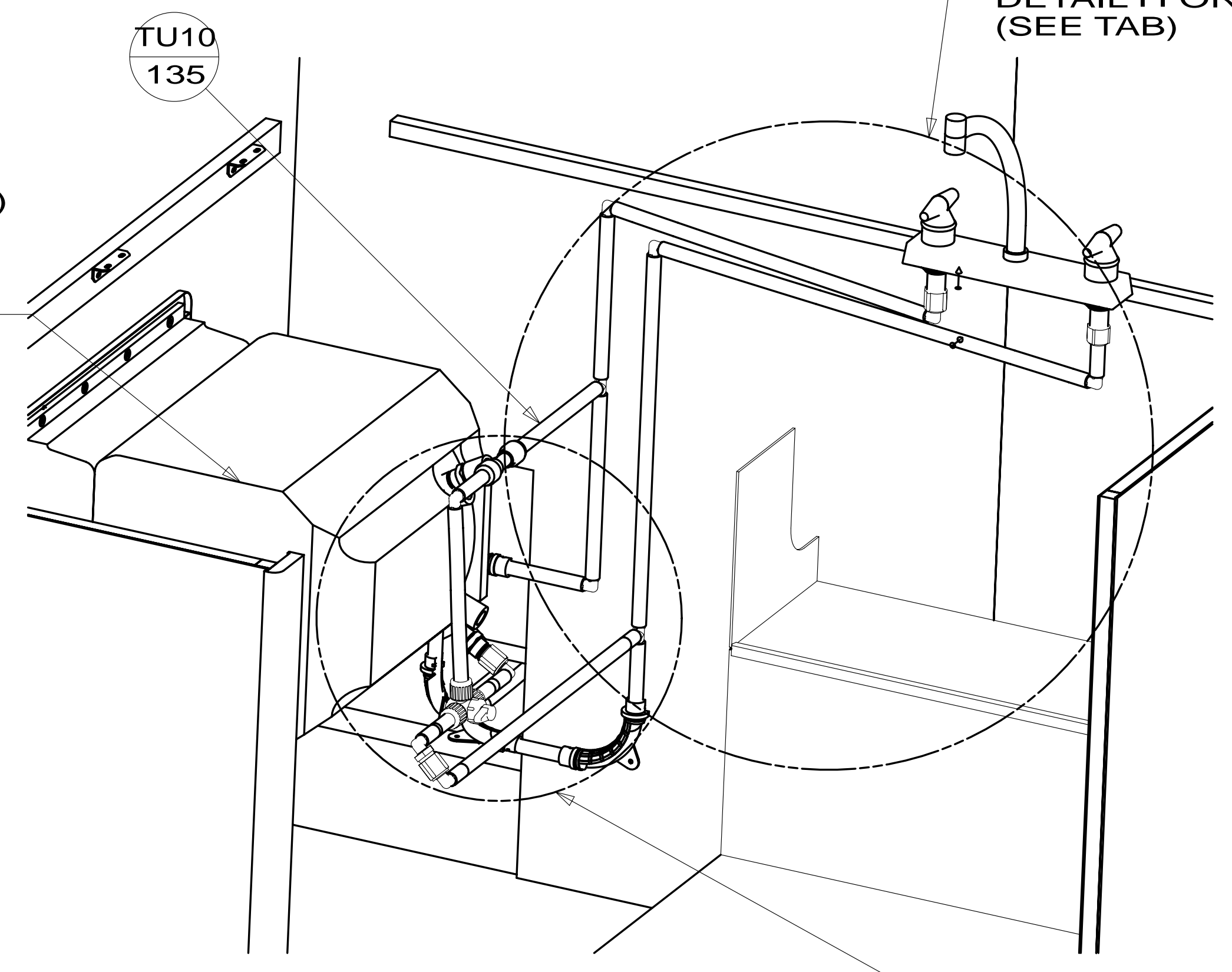
DETAIL H OR J
(SEE TAB)



DETAIL J

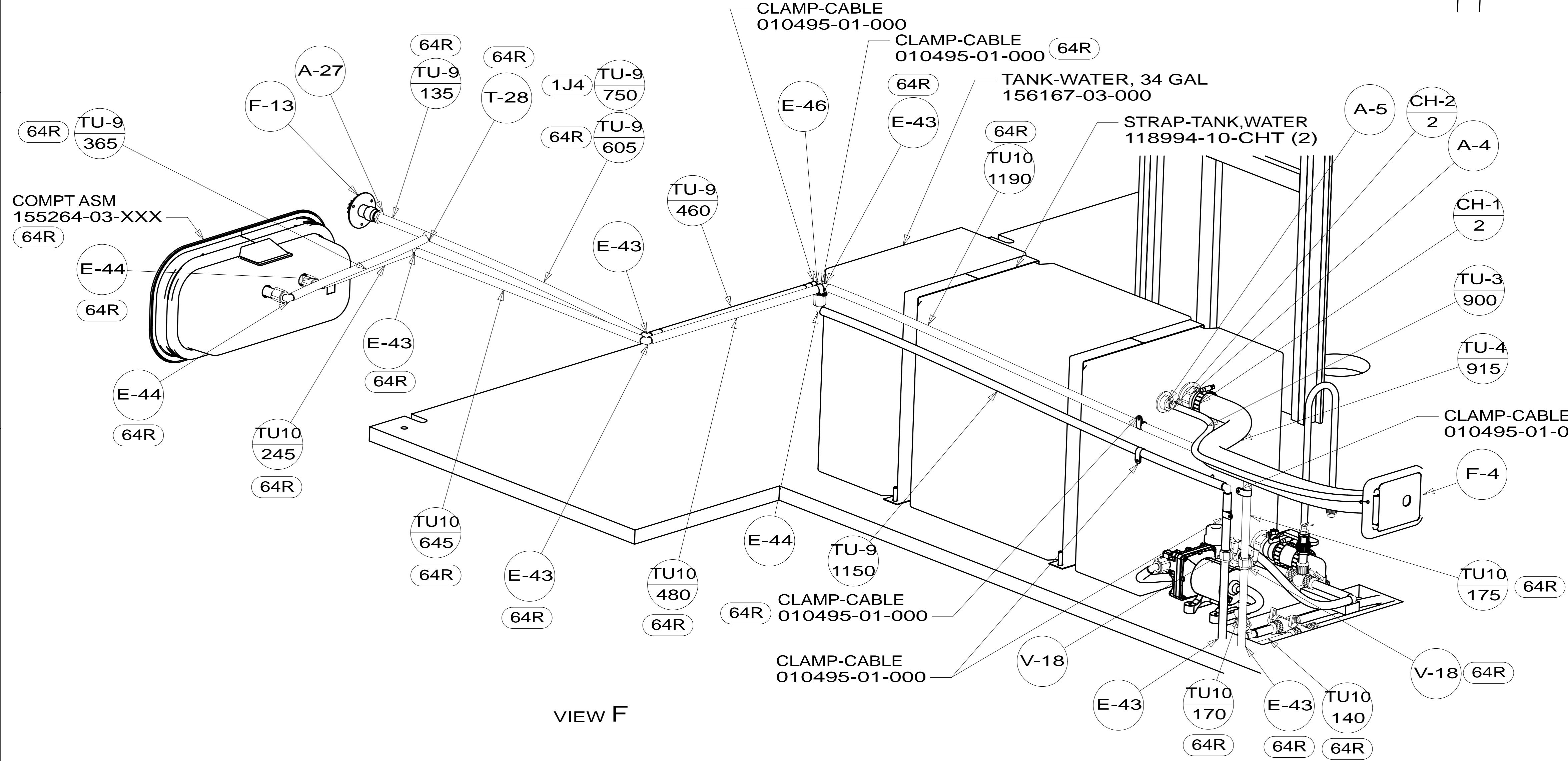


DETAIL H

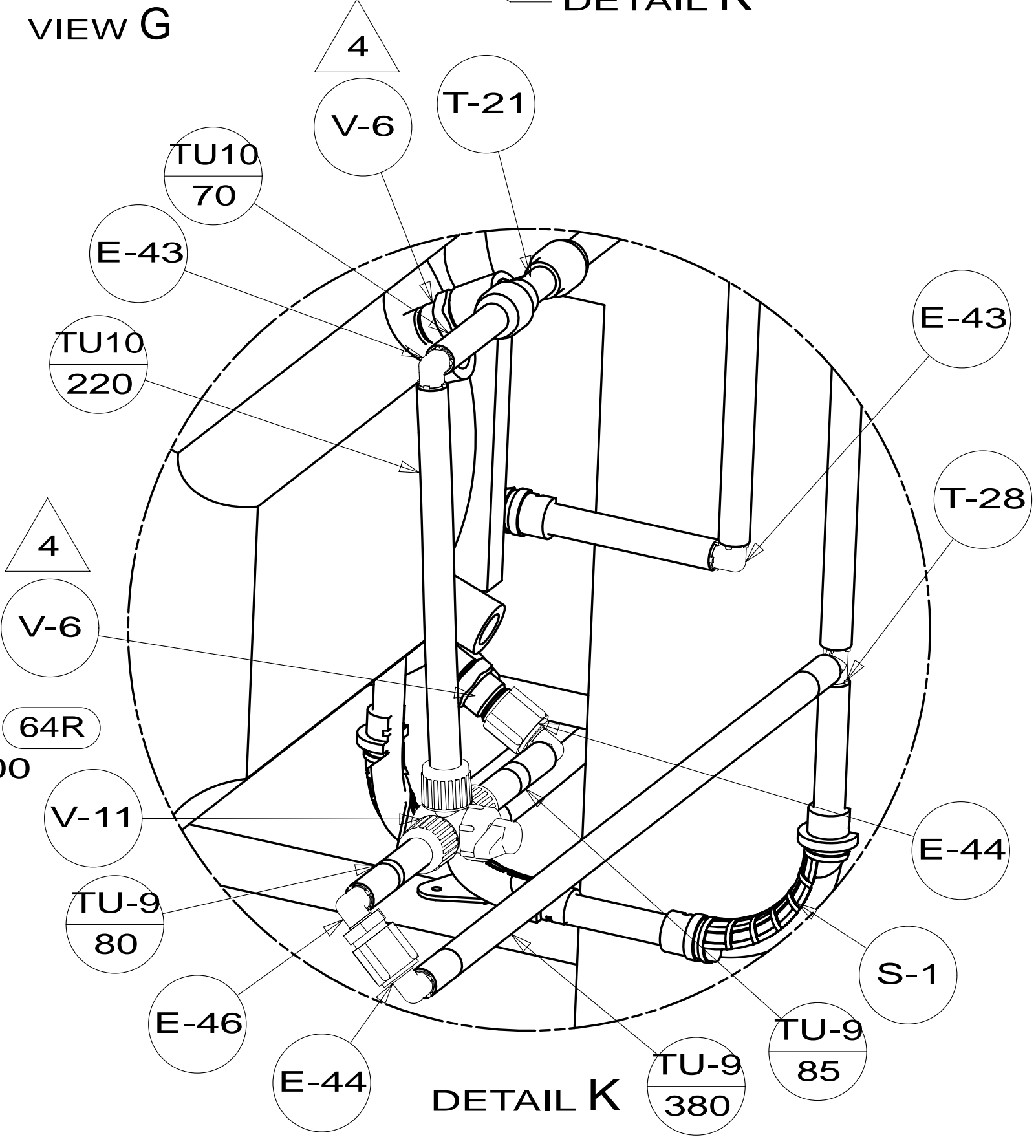


VIEW G

DETAIL K



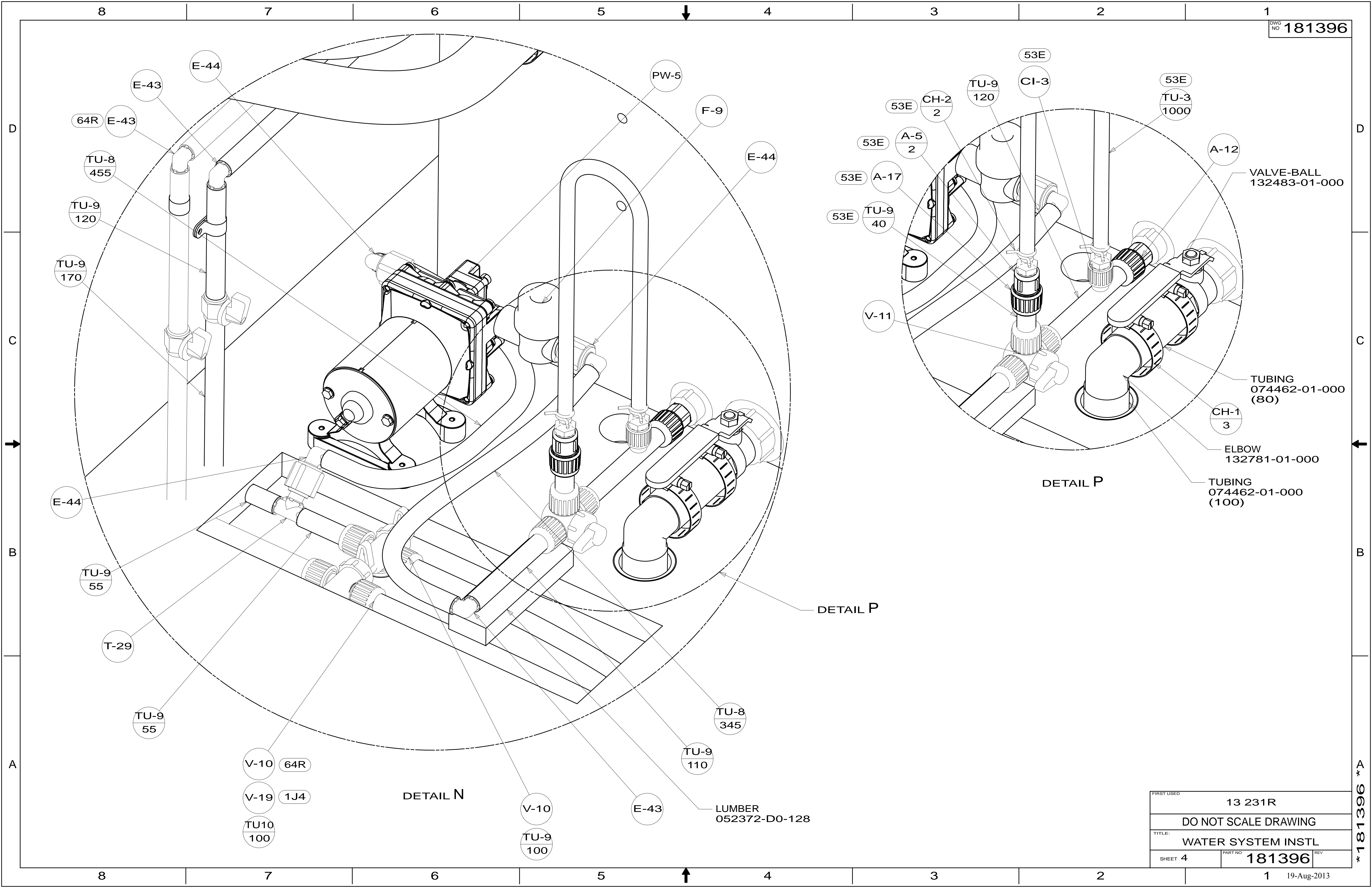
VIEW F



DETAIL K

FIRST USED	13 231R
DO NOT SCALE DRAWING	
TITLE: WATER SYSTEM INSTL	
SHEET 3	PART NO 181396 REV
19-Aug-2013	

* 181396



DETAIL N

DETAIL P

DETAIL P

FIRST USED	13 231R		
TITLE:	DO NOT SCALE DRAWING		
	WATER SYSTEM INSTL		
SHEET 4	PART NO	181396	REV
			19-Aug-2013

* 181396 * A