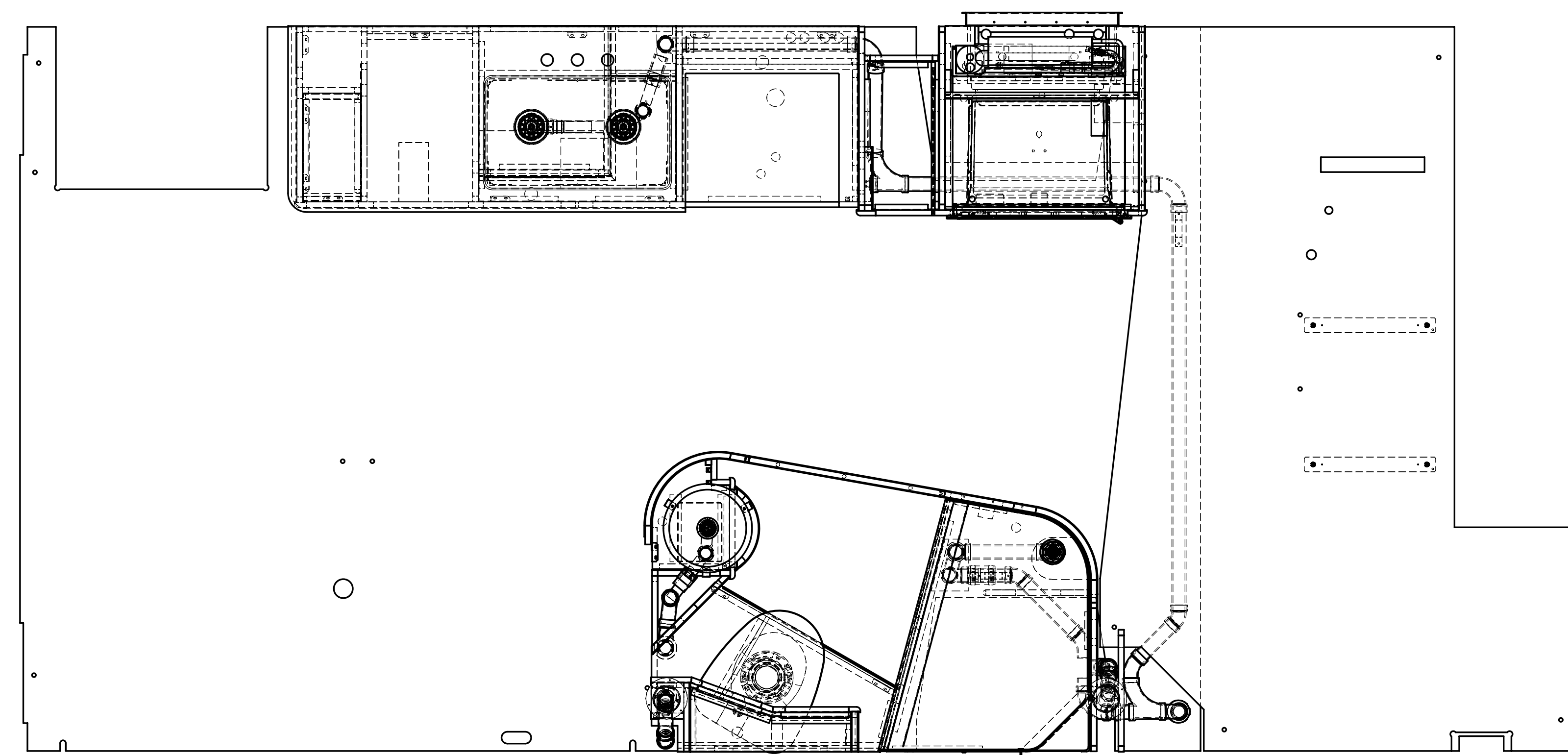
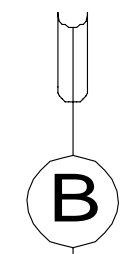
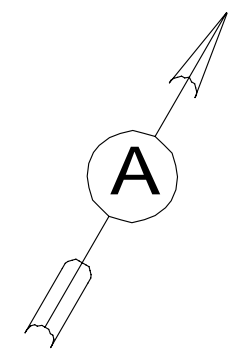


DWG NO	MODEL	DETAIL
179849-01	226Q	G
179849-02	226QP	H

RELEASE	REV DATE	DWG NO	179849
REV ZONE	REVISION RECORD	DATE	DFT-ORIG



12. ROTATE VALVES SO HANDLES CAN BE ACCESSED THROUGH THE DOOR.
11. PREP THE SURFACE PER MANUFACTURERS INSTRUCTIONS BEFORE APPLYING THE HEATING PAD.
10. SEE WIRING INSTL-BODY FOR ELECTRICAL CONNECTION.
9. SEE DRAWING 061607 FOR INSTALLATION OF GROMMETS.
8. SECURE DRAINAGE PIPES TO CABINET USING WIRE TIE 108046-02-000, AND SCREW 000G67-10-12U AT INTERVALS OF NOT OF NOT MORE THAN 4 FEET APART.
7. SECURE VENT PIPE TO FLOOR WITH CLAMP 062401-02-000 (2), SCREW 000G67-10-12U (2), BRACKET 136878-01-CHT (2).
6. VENT PIPE MUST PROJECT 51 MIN AND 64 MAX ABOVE ROOF FOR PROPER FIT AND FUNCTION. ADD S-1 (116666-01-CHT SEAL-VENT PIPE) AROUND PIPE ON ROOF BEFORE VENT CAP IS INSTALLED.
5. SEAL AROUND SHOWER WITH SILICONE.
4. USE SMOOTH PLUMBERS PUTTY 167459-01-000 TO SEAL STRAINER (0.2 PER STRAINER).
3. ALL PIPE AND FITTINGS TO BE ASSEMBLED WITH SOLVENT 004020-01-000 (USA), 004020-02-000 (CAN)
2. SLOPE OF TRAP ARM MUST BE 6 PER 305 mm.
1. SLOPE OF HORIZONTAL PIPING TO BE MINIMUM OF 3 PER 305 mm.

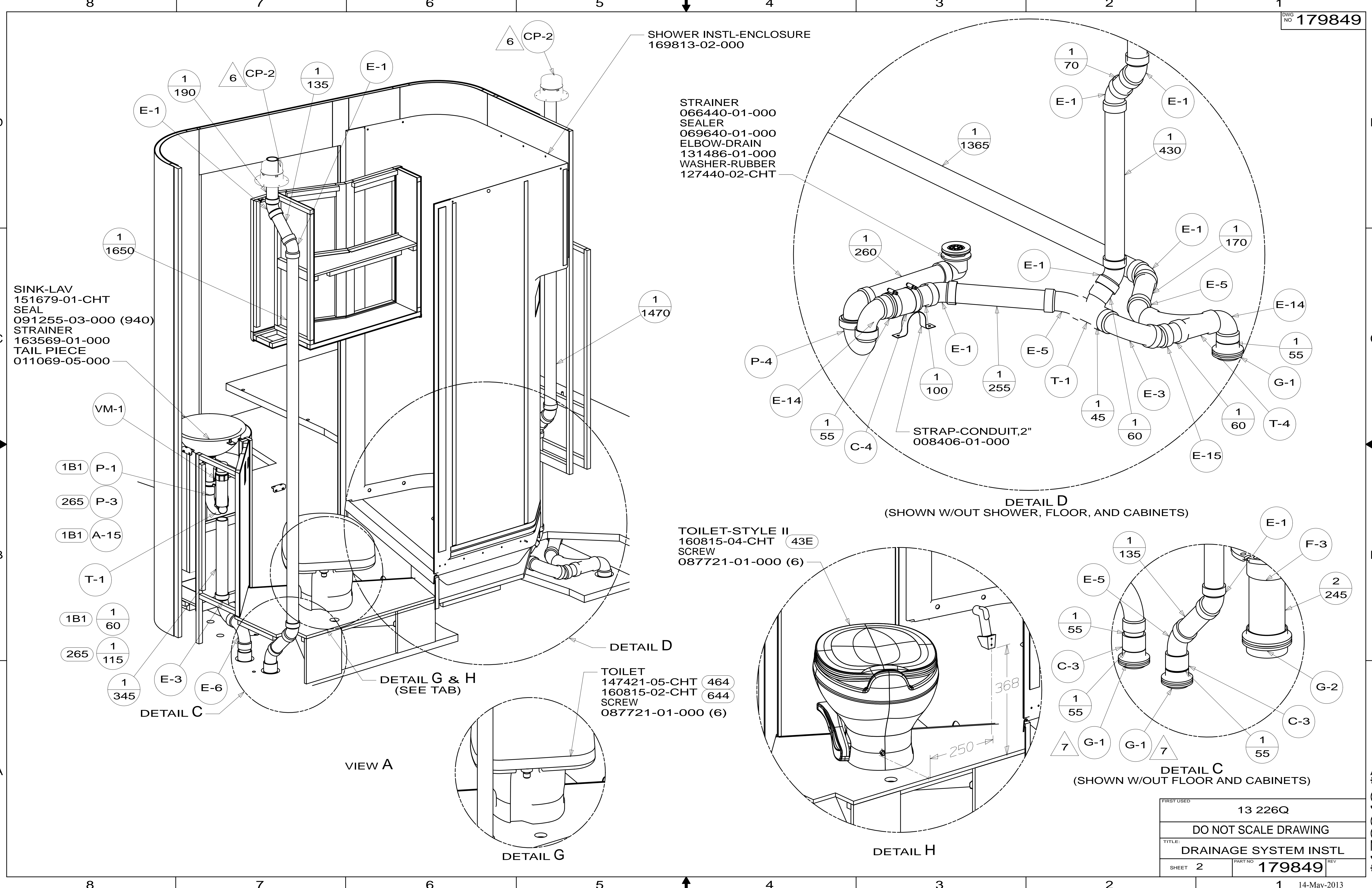


- 649 RENTAL-CANADREAM
- 43E TOILET-PORCELAIN-ROUND
- 644 GREAT ALASKAN RENTAL PACKAGE
- 464 TOILET
- 265 CODES/STANDARDS-CSA/CMVSS
- 23T DRAINAGE SYSTEM-HEATED
- 1B1 CODES/STANDARDS USA

		COPYRIGHT 2013 WINNEBAGO INDUSTRIES, INC.
DFT-ORIG	ORIG. DATE	
CHKR	ALL DIMENSIONS ARE IN MILLIMETERS	
P.E.		
M.E.	FIRST USED	
DSNR	13 226Q	
UNSPECIFIED TOLERANCES ARE:		MATERIAL:
WHOLE DIM (X)	: 3	
ONE-PLACE (X.X)	: 1.5	
TWO-PLACE (X.XX)	: 0.50	
ANGLE	: 1°	
THIRD ANGLE PROJECTION		
DO NOT SCALE DRAWING		REFER TO ES0018 FOR FASTENER TIGHTENING GUIDELINES
TITLE: DRAINAGE SYSTEM INSTL		
SHEET 1 OF 4	PART NO 179849	REV

FOR DRAINAGE CALLOUTS SEE DWG NO 116229-01-000

\* 179849 \* A



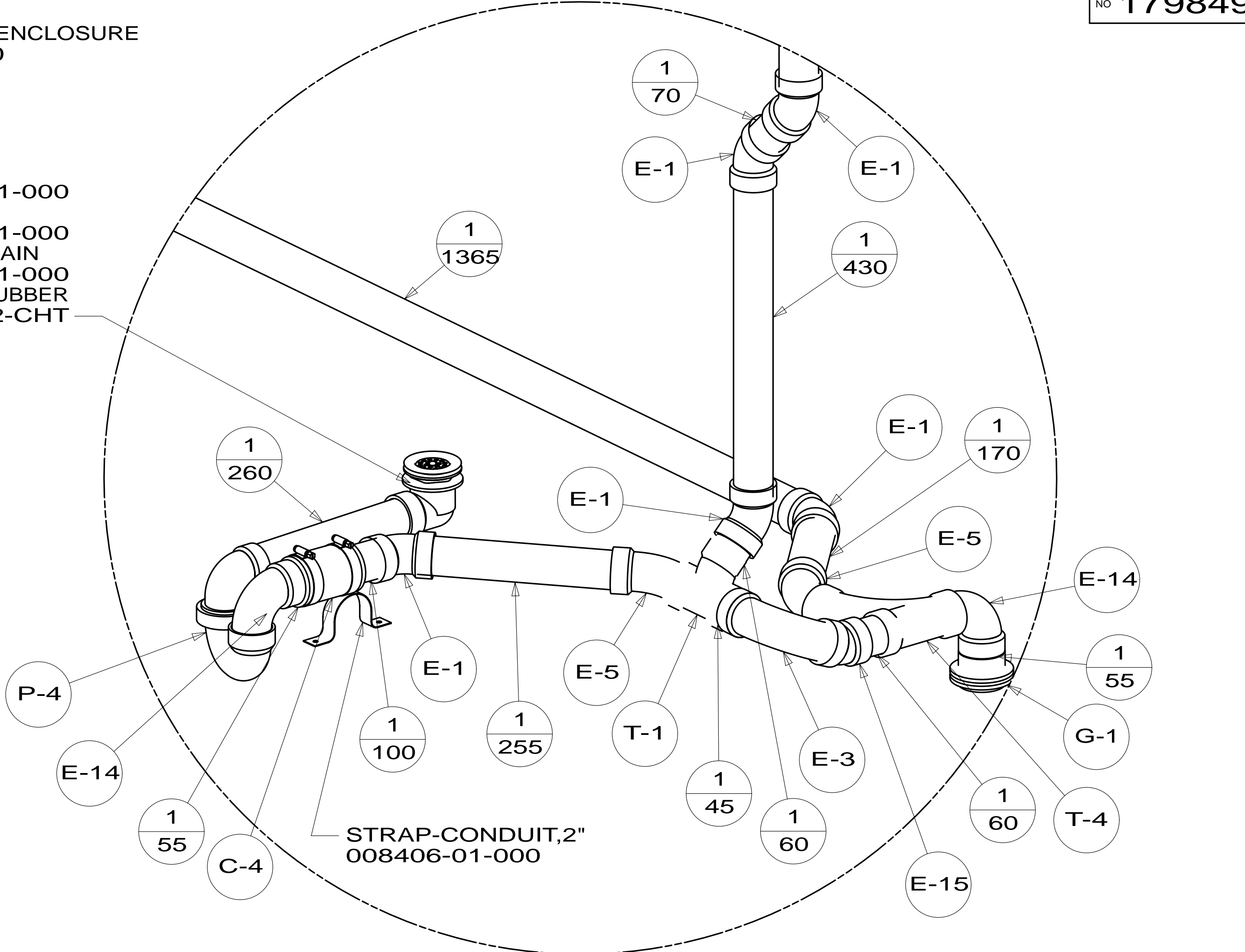
SINK-LAV  
151679-01-CHT  
SEAL  
091255-03-000 (940)  
STRAINER  
163569-01-000  
TAIL PIECE  
011069-05-000

SHOWER INSTL-ENCLOSURE  
169813-02-000

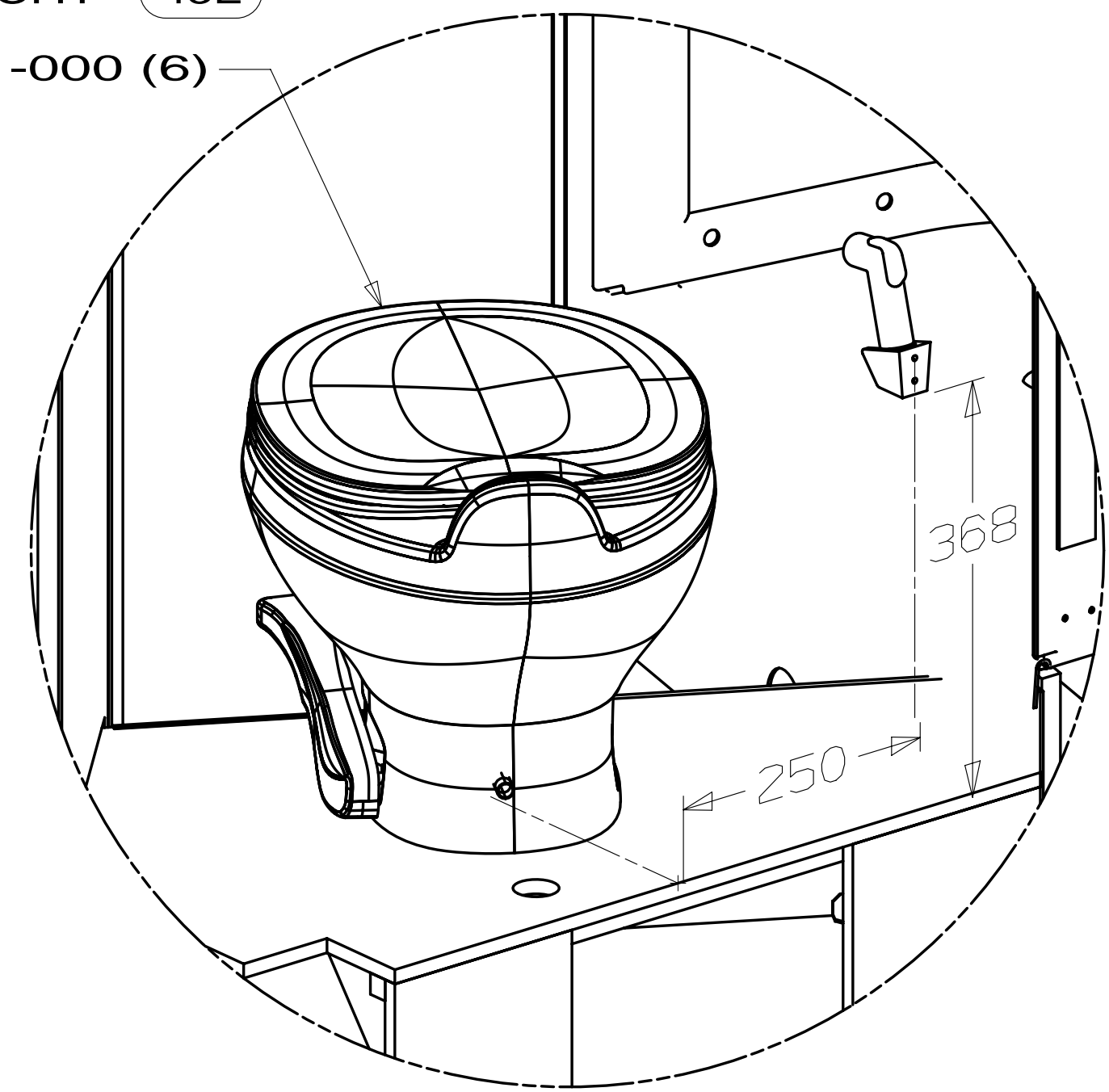
STRAINER  
066440-01-000  
SEALER  
069640-01-000  
ELBOW-DRAIN  
131486-01-000  
WASHER-RUBBER  
127440-02-CHT

TOILET-STYLE II  
160815-04-CHT 43E  
SCREW  
087721-01-000 (6)

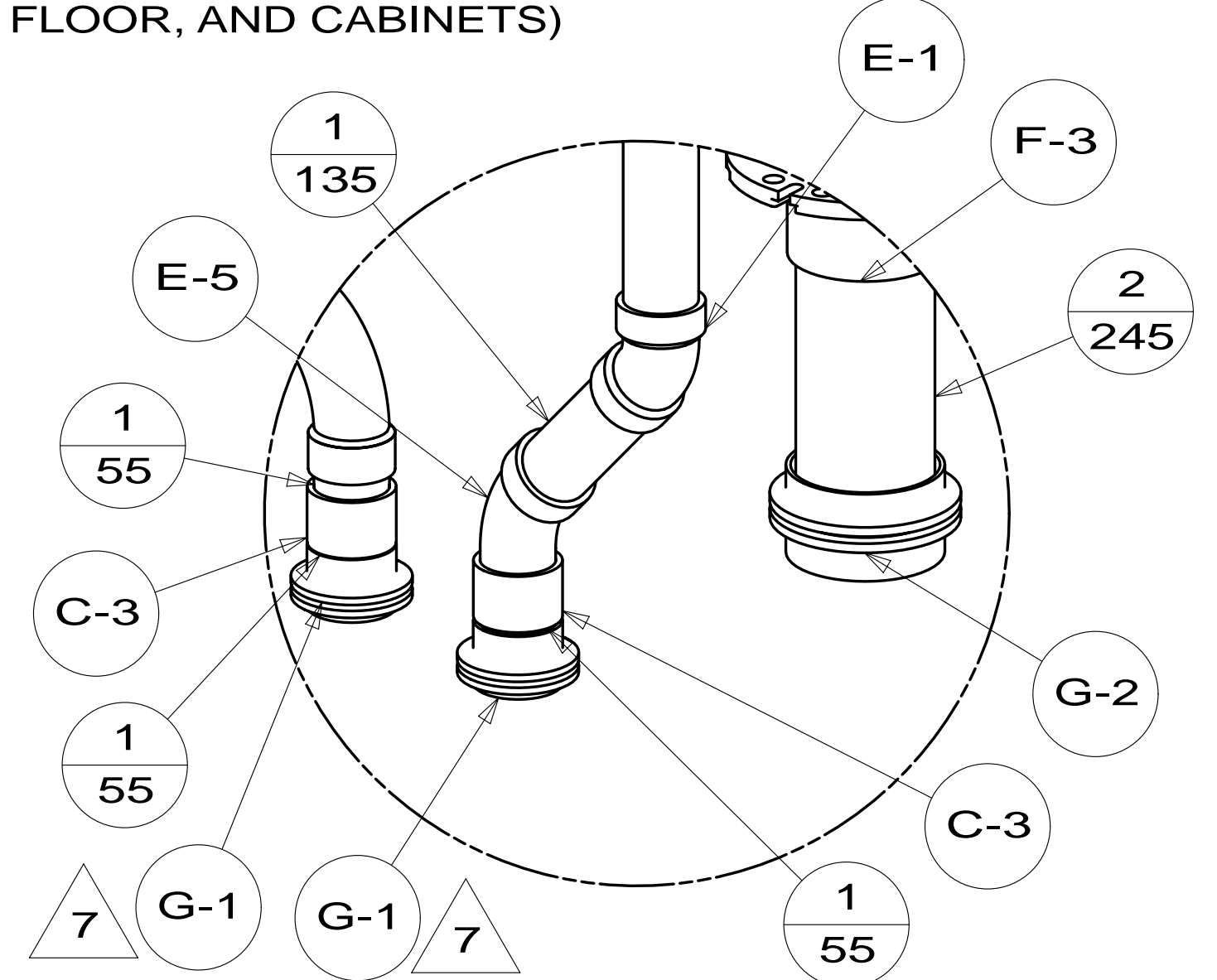
TOILET  
147421-05-CHT 464  
160815-02-CHT 644  
SCREW  
087721-01-000 (6)



DETAIL D  
(SHOWN W/OUT SHOWER, FLOOR, AND CABINETS)

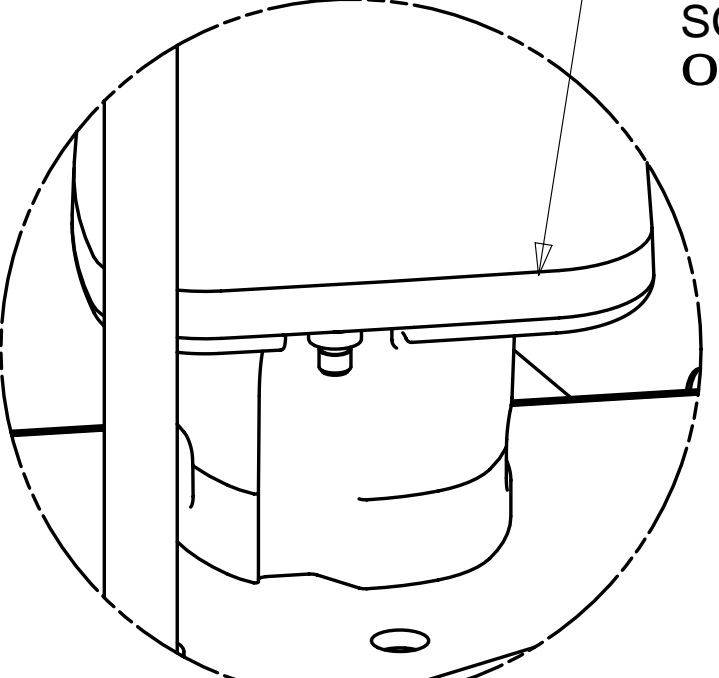


DETAIL H



DETAIL C  
(SHOWN W/OUT FLOOR AND CABINETS)

DETAIL G & H  
(SEE TAB)



DETAIL G

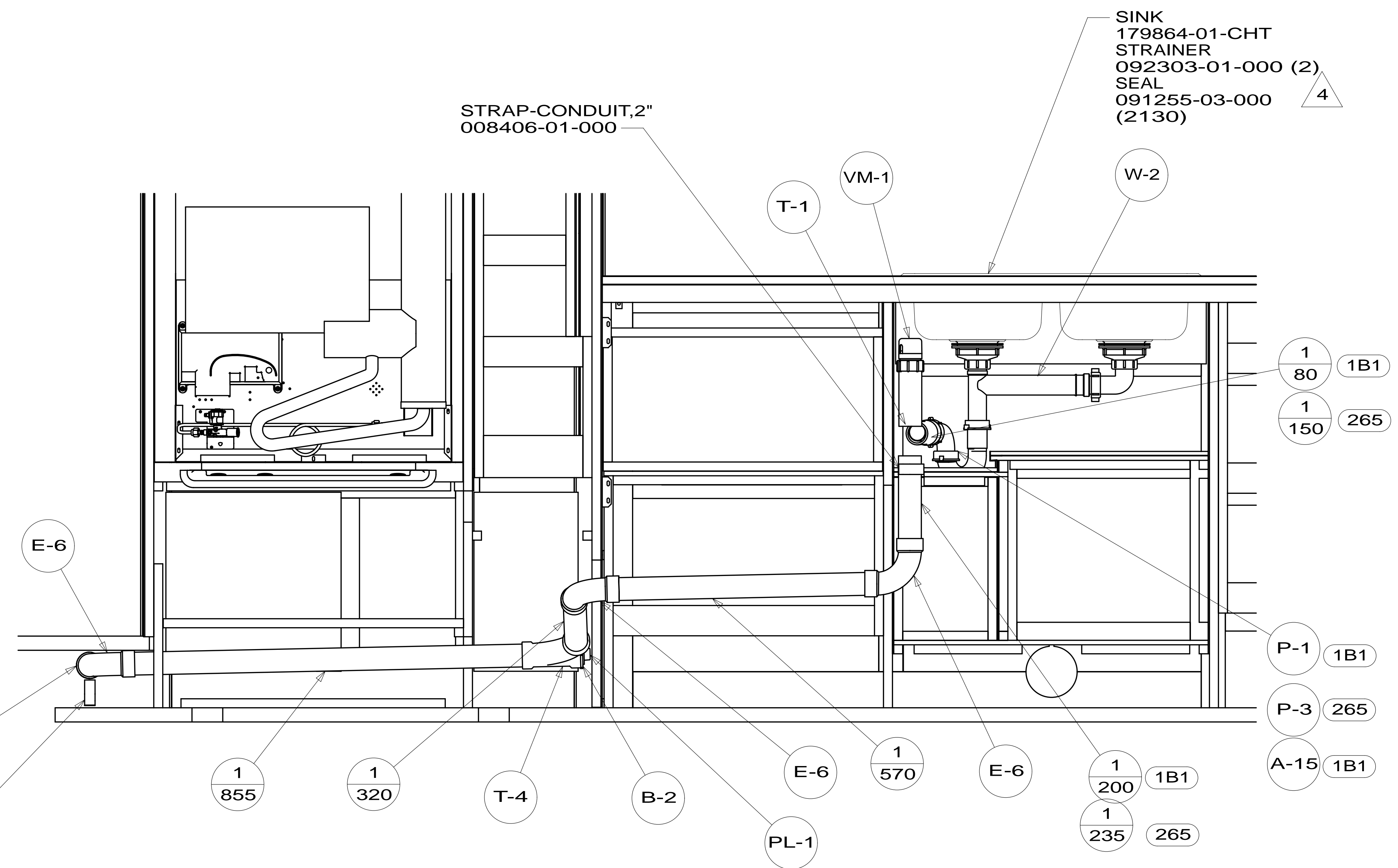
FIRST USED	13 226Q
DO NOT SCALE DRAWING	
TITLE: DRAINAGE SYSTEM INSTL	
SHEET 2	PART NO 179849 REV
14-May-2013	

\*179849 A

SINK  
179864-01-CHT  
STRAINER  
092303-01-000 (2)  
SEAL  
091255-03-000 (2130) 4

STRAP-CONDUIT,2"  
008406-01-000

TO TANK  
UNDER SHOWER  
  
STRAP-CONDUIT,2"  
008406-01-000



VIEW B  
(ROTATED)

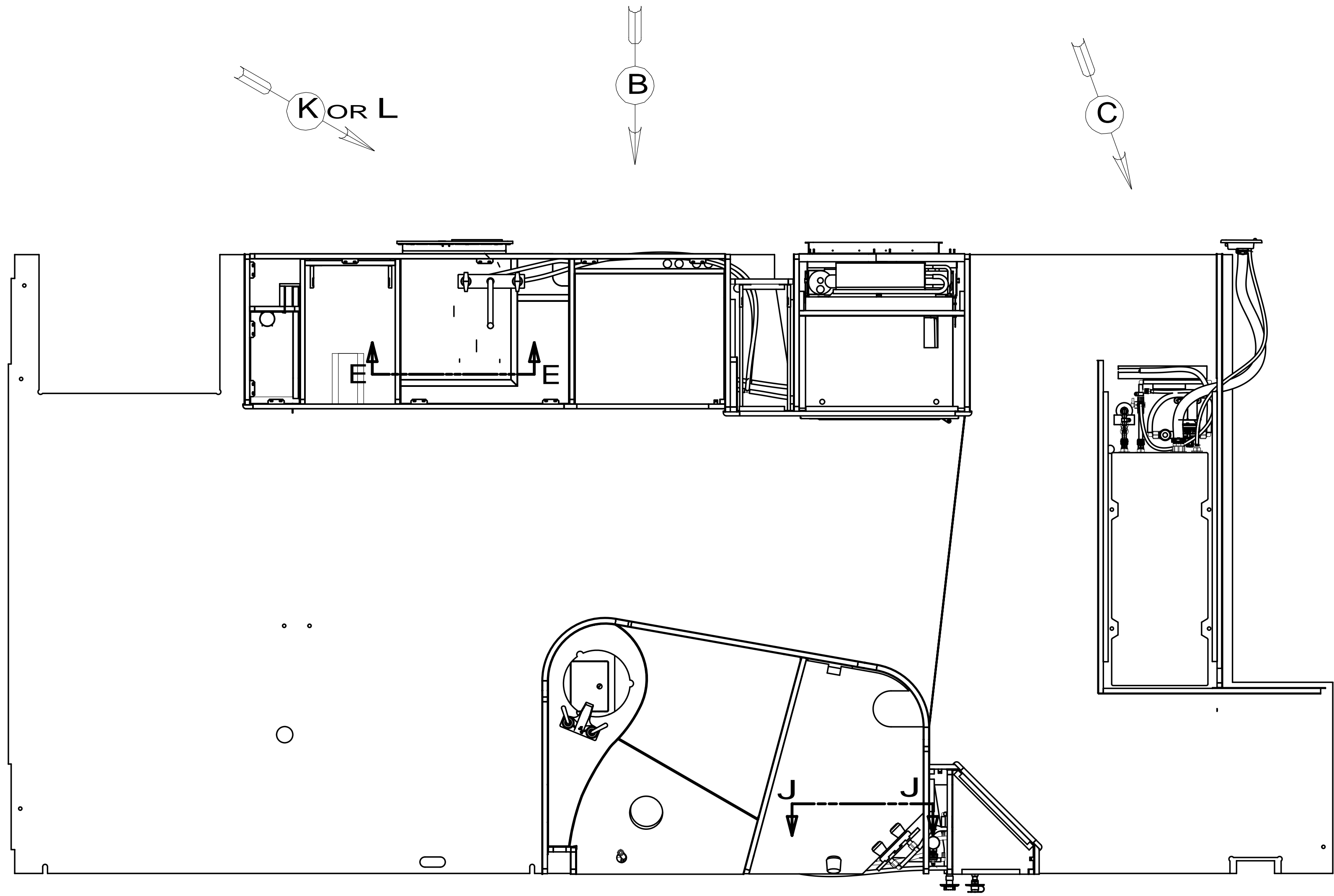
FIRST USED	13 226Q		
DO NOT SCALE DRAWING			
TITLE: DRAINAGE SYSTEM INSTL			
SHEET 3	PART NO	179849	REV
		1	14-May-2013

\* 179849 \* A



DWG NO	MODEL	VIEW/DETAIL
178128-01	226Q	K, M
178128-02	226QP	L, N

RELEASE	REV DATE	DWG NO	178128
REV ZONE	REVISION RECORD	DATE	DTR-ORIG



- 11. ATTACH WASHER-PLASTIC 087080-13-CHT W/TAPE-DOUBLE 123816-03 ON BOTTOM SIDE OF FLOOR.
- 10. ATTACH WASHER-PLASTIC 087080-11-CHT W/TAPE-DOUBLE 123816-03 ON BOTTOM SIDE OF COMPARTMENT.

- 9. INSTALL BYPASS PLUG FOR SYSTEM TESTING AND SHIPPING.
- 8. ALL CRIMP FITTINGS TO 1/2" PEX TUBING REQUIRE 1/2" CLAMP 140171-03-000.
- 7. ALL CRIMP FITTINGS TO 5/8" PEX TUBING REQUIRE 5/8" CLAMP 140171-04-000.
- 6. LABEL HOT AND COLD SUPPLY TUBES AND TAPE FITTING TO TUBE BEFORE CABINET SET TO PREVENT MOVEMENT.
- 5. ADD PIPE WRAP (LADDER SCRAP 110157-02-000) INSULATION.
- 4. ADD TEFLON TAPE 010405-02-000.

- 3. ALL TUBING TO BE SECURED AT 1200 INTERVALS MAXIMUM WITH CLAMP 010495-01-000 AND SCREW 000G67-10-12U OR EQUIVALENT.
- 2. TUBING TO BE INSTALLED WITH SUFFICIENT SLOPE TO PROVIDE DRAINAGE TO NEAREST VALVE.
- 1. PLASTIC FITTINGS TO BE SEALED WITH SEALANT 084456-01-000.

NOTES:

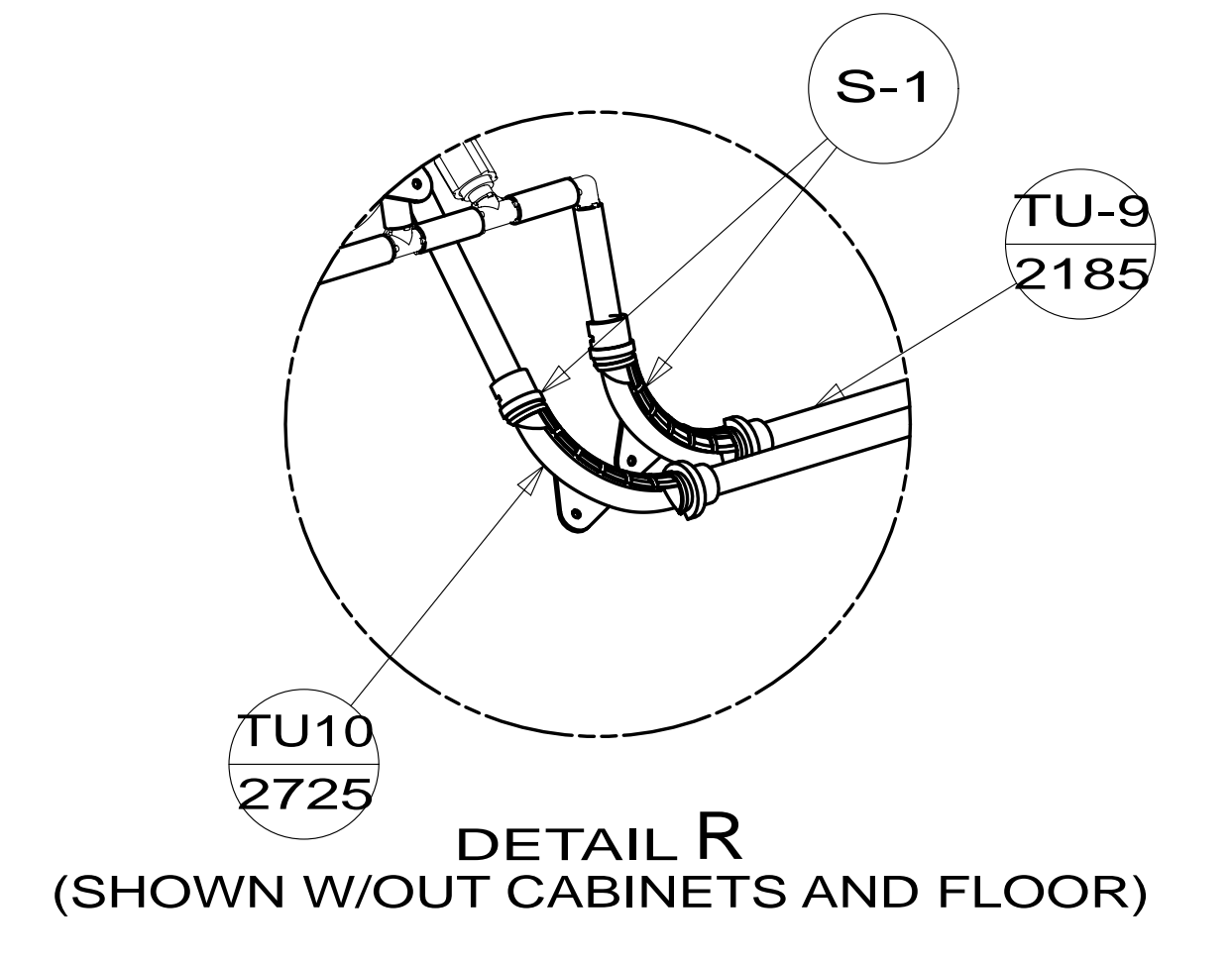
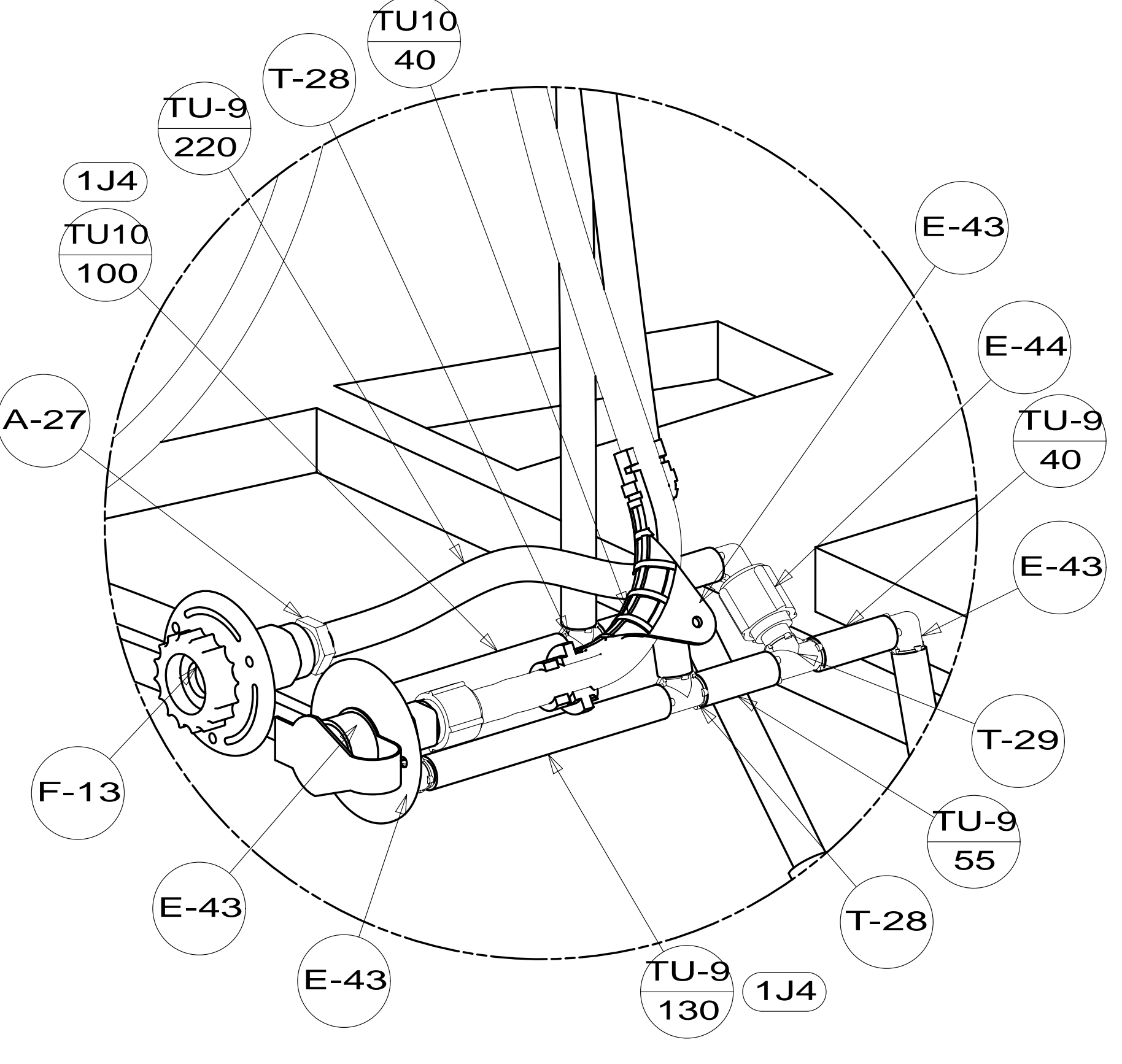
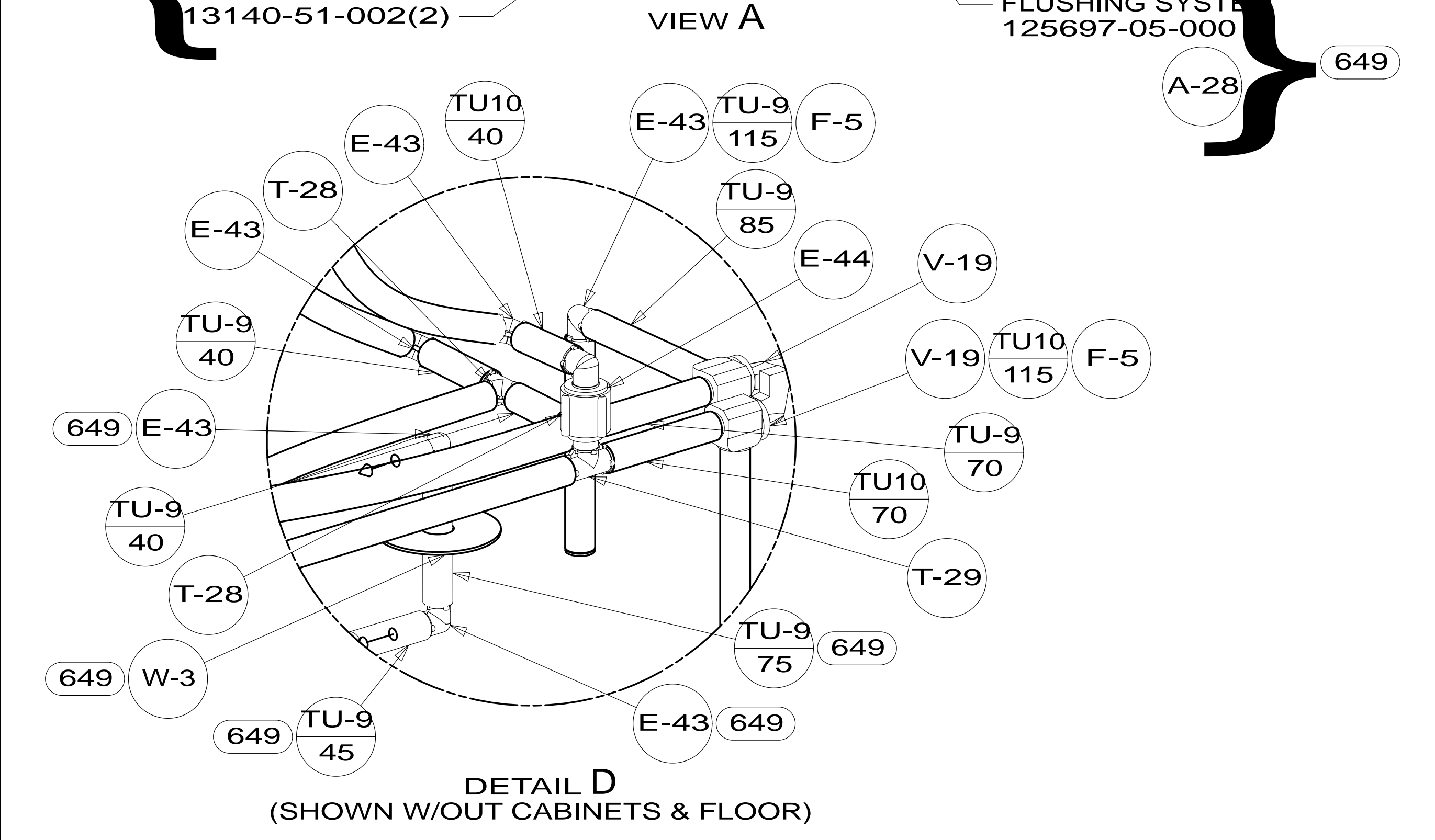
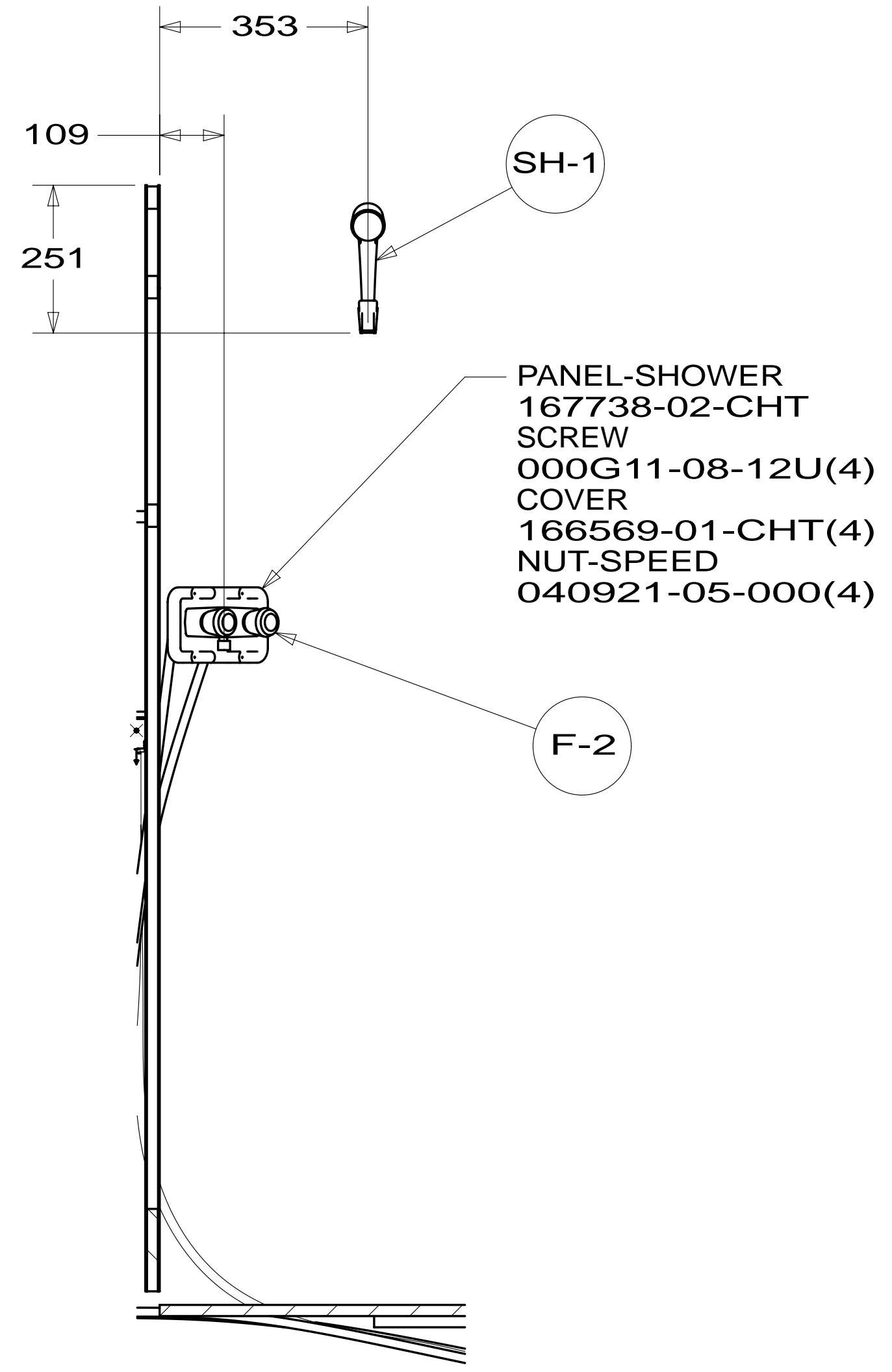
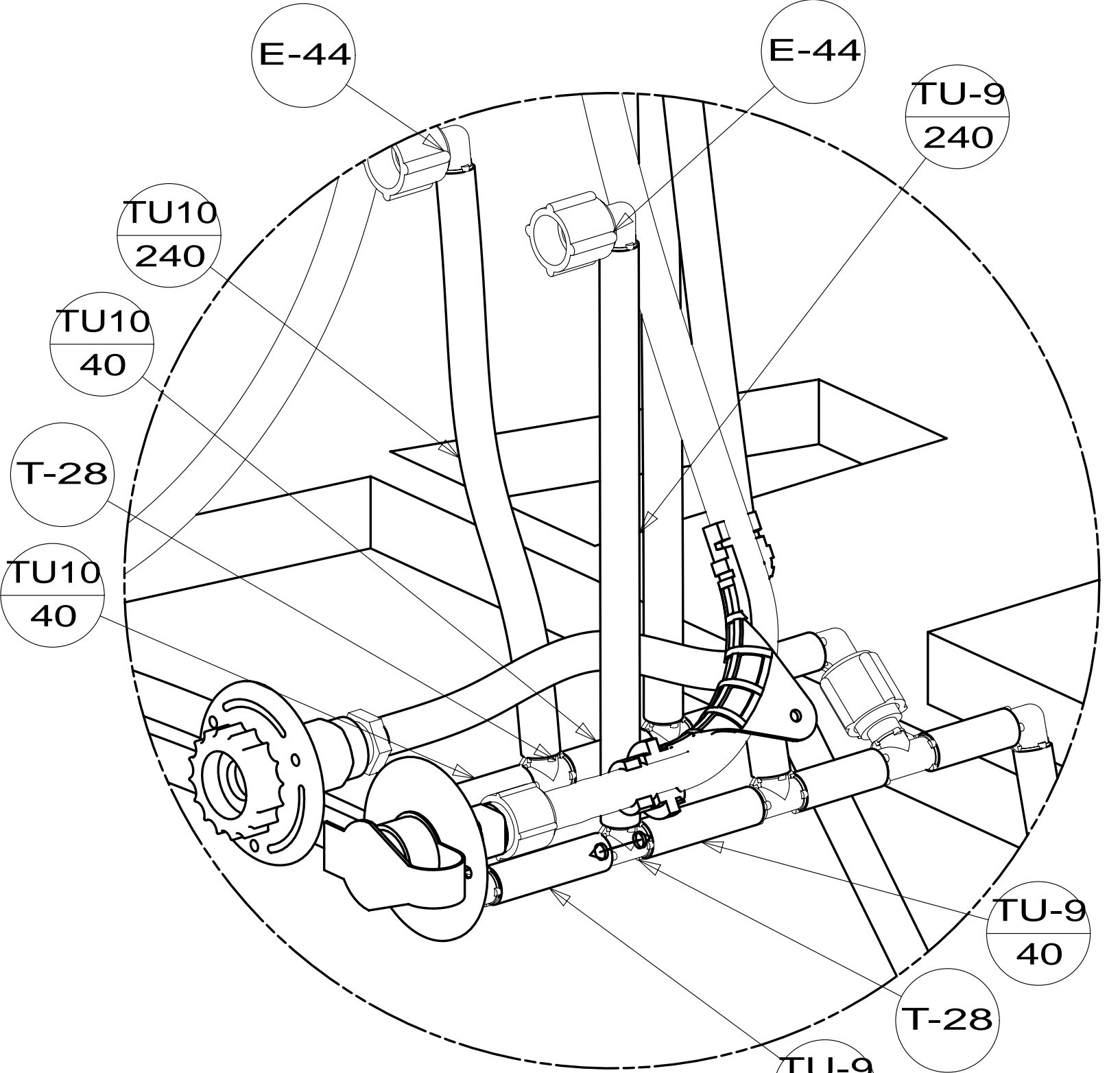
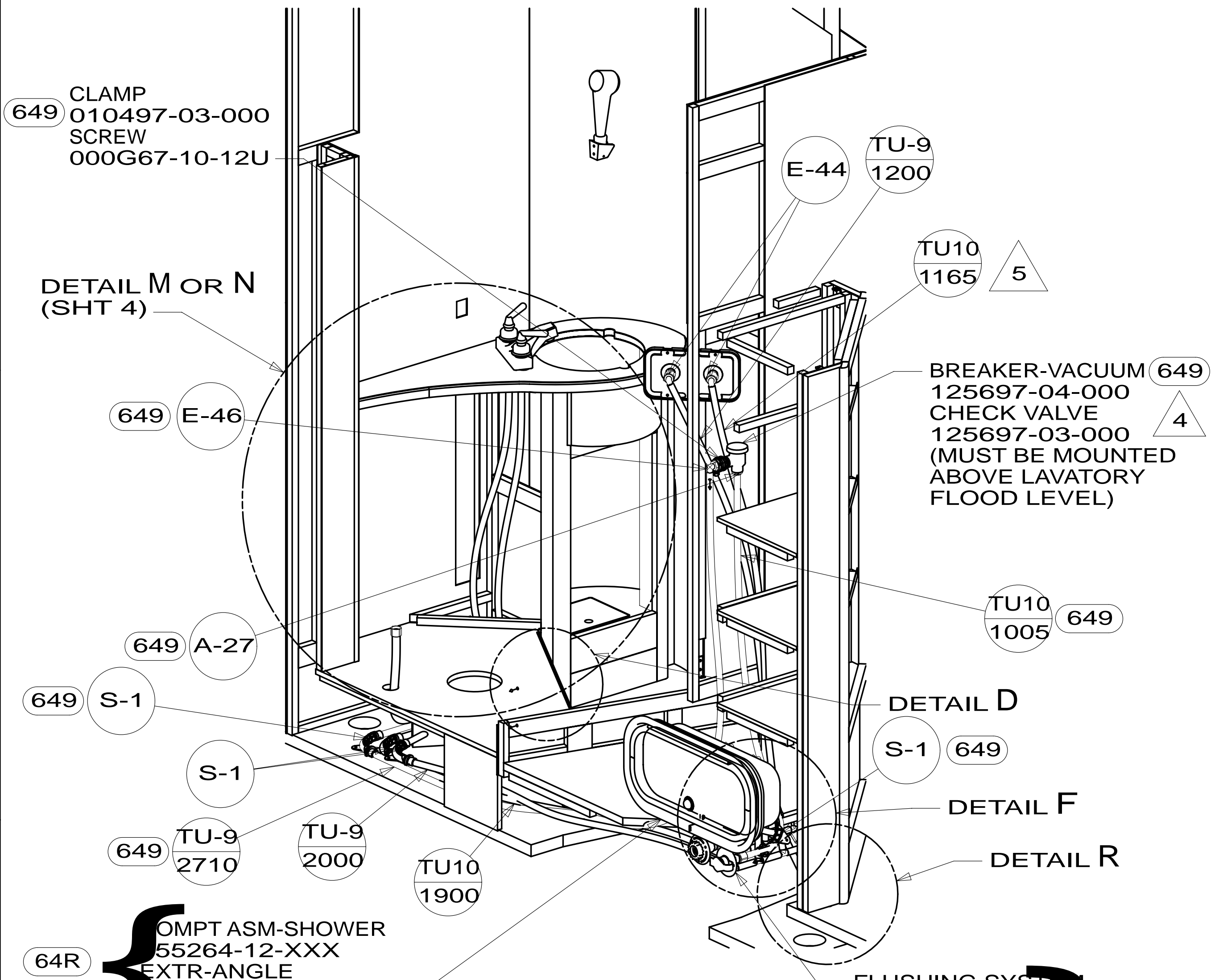
- 649 RENTAL - CANADREAM
- 64R EXTERIOR WASH STATION
- 53Z WTR HTR-6GAL/110/LP/MTR/AUTO
- 1J4 EXT WASH STATION - WITHOUT
- 53F WATER HEATER-ELEC. IGNITION
- 53E WATER SYS WINTERIZATION PKG
- 644 GREAT ALASKAN RENTAL PACKAGE

		COPYRIGHT 2013 WINNEBAGO INDUSTRIES, INC.	
DTR	ORIG. DATE	ALL DIMENSIONS ARE IN MILLIMETERS	
CHKR			
P.E.			
M.E.	FIRST USED		
DSNR		12 226Q/QP	
UNSPECIFIED TOLERANCES ARE:		MATERIAL:	
WHOLE DIM (X)	: 3		
ONE-PLACE (X.X)	: 1.5		
TWO-PLACE (X.XX)	: 0.50		
ANGLE	: 1°		
THIRD ANGLE PROJECTION			
DO NOT SCALE DRAWING		REFER TO ES0018 FOR FASTENER TIGHTENING GUIDELINES	
TITLE: WATER SYSTEM INSTL			
SHEET 1 OF 4	PART NO	178128	REV
REF:	1	19-Aug-2013	

FOR WATER CALLOUTS SEE DWG NO 116230-01-000



\* 178128 \* A



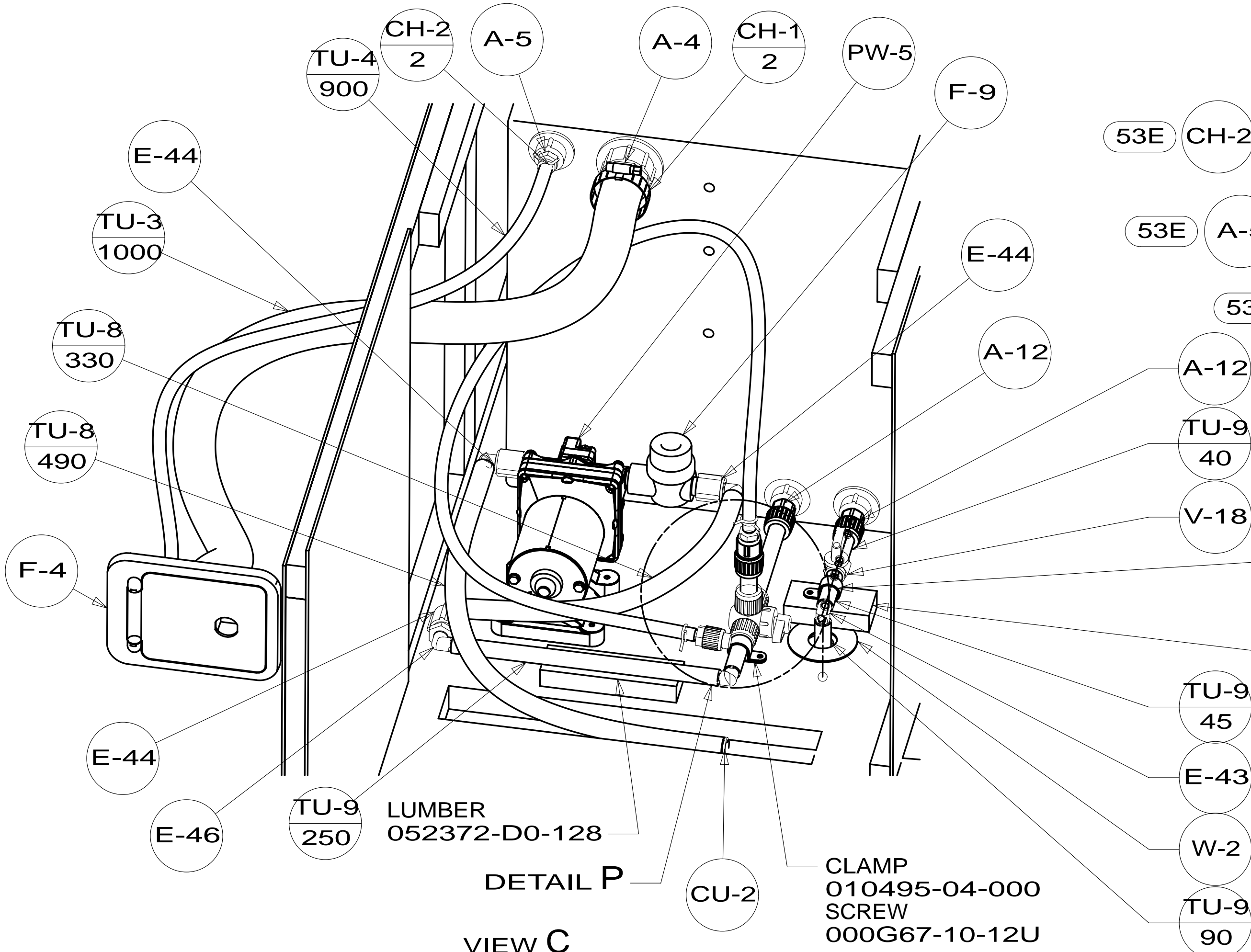
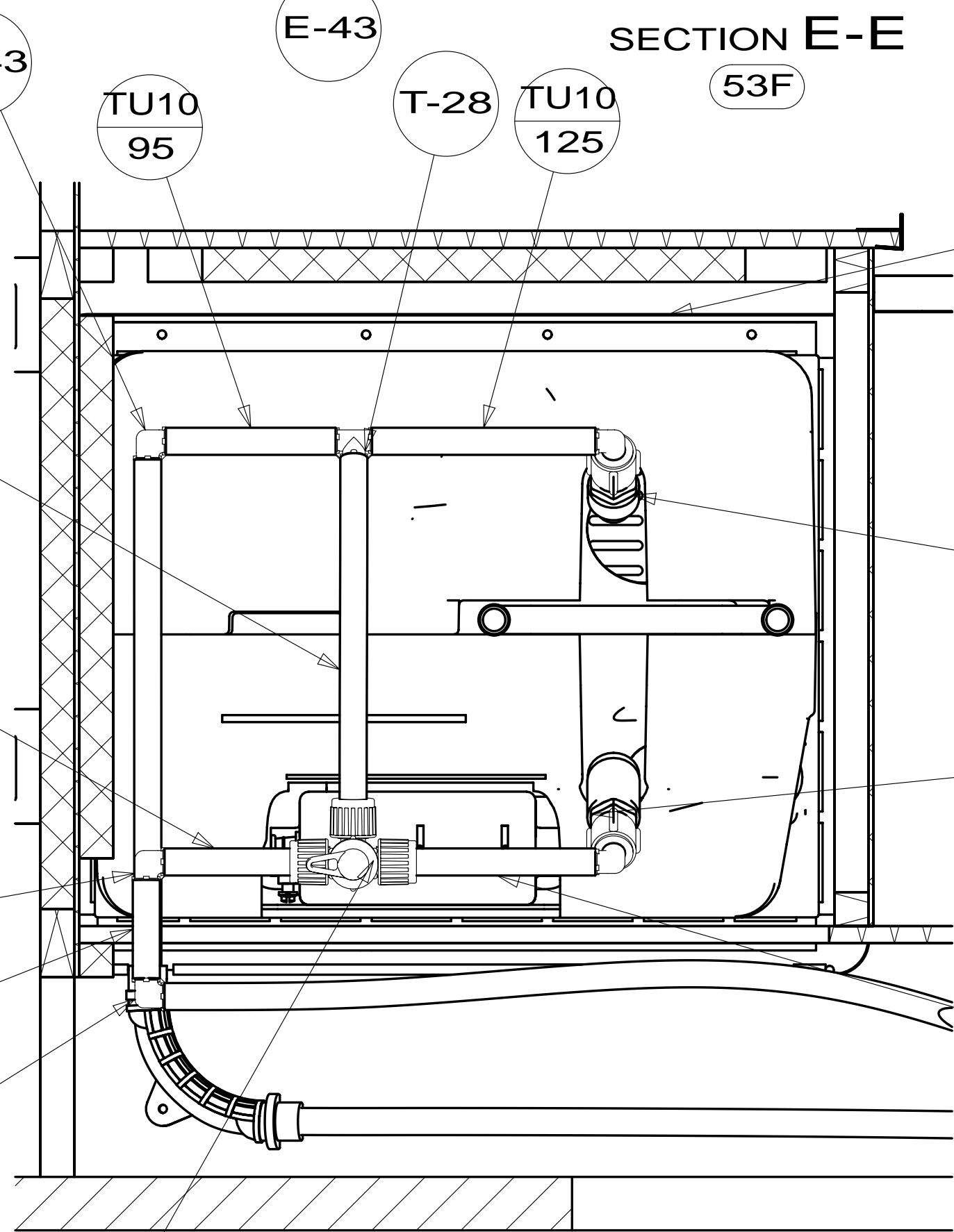
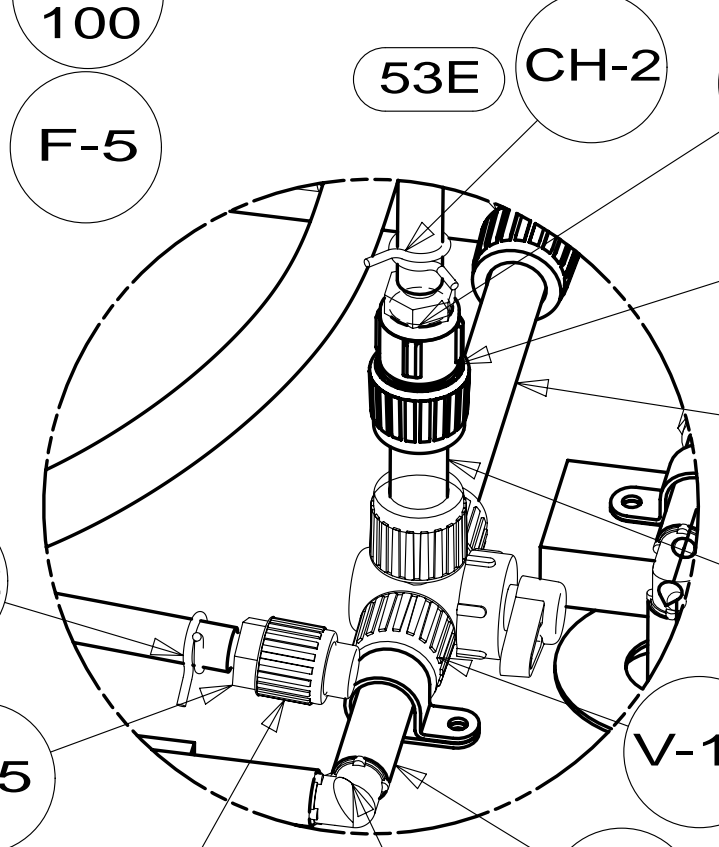
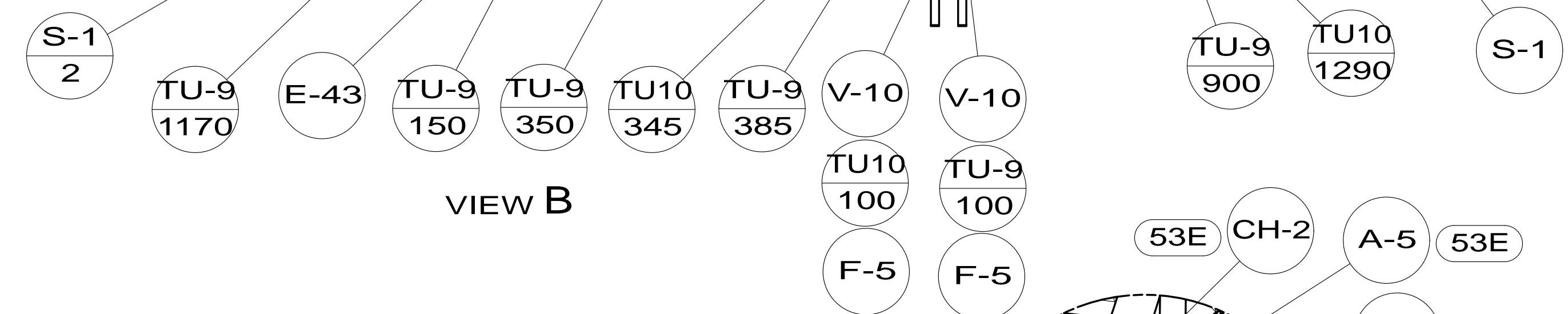
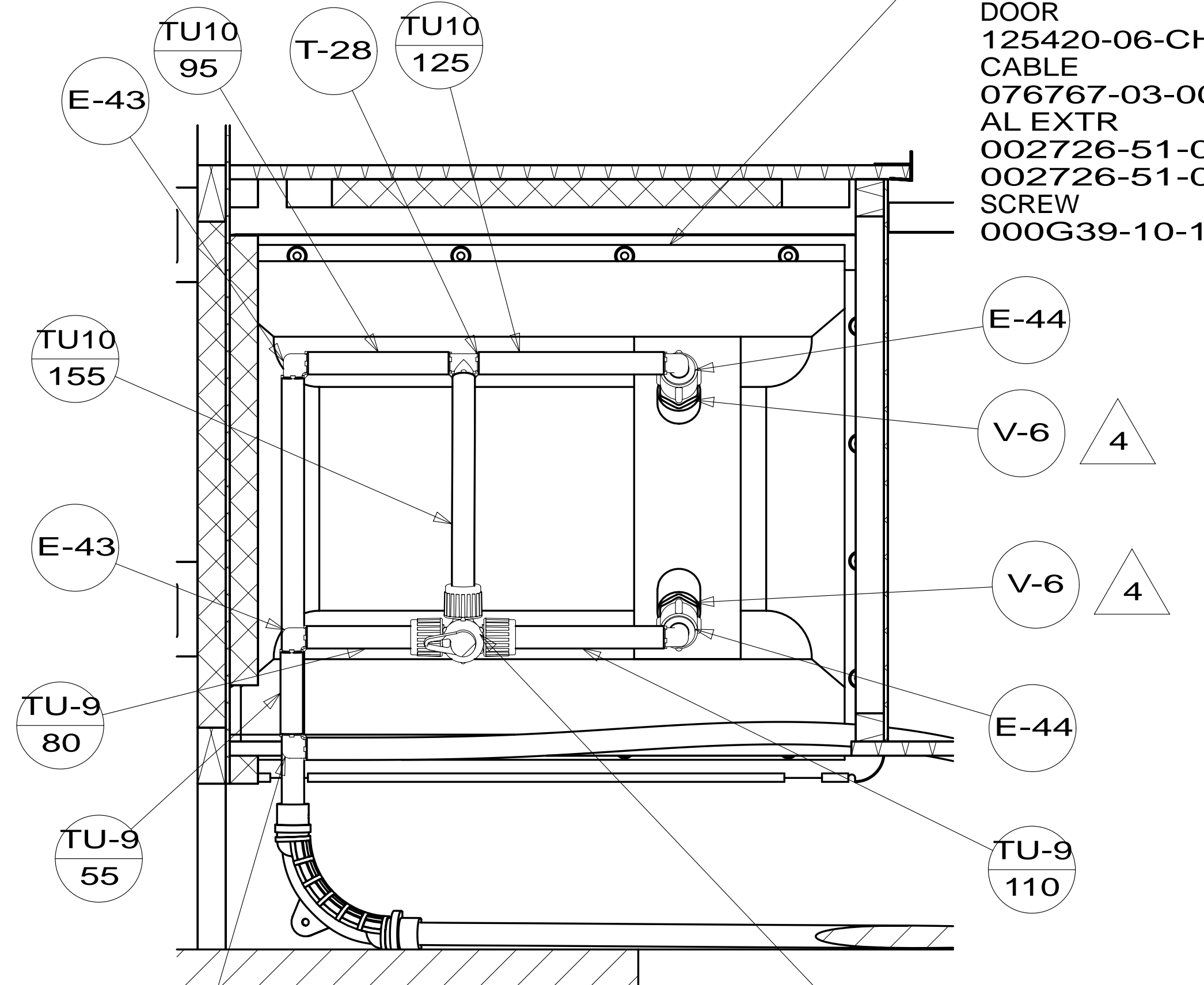
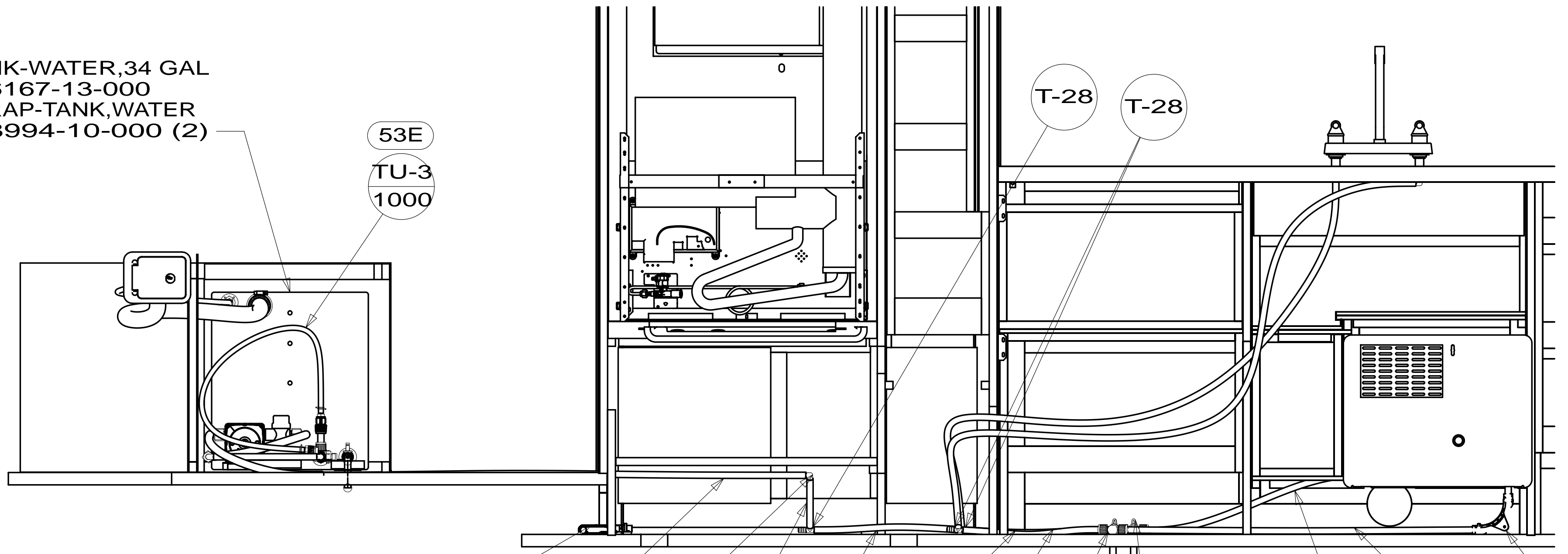
FIRST USED	12 226Q/QP	
DO NOT SCALE DRAWING		
TITLE:	WATER SYSTEM INSTL	
SHEET 2	PART NO 178128	REV
		19-Aug-2013

\* 178128 \* A

TANK-WATER,34 GAL  
156167-13-000  
STRAP-TANK,WATER  
118994-10-000 (2)

WATER-HEATER  
051391-03-000  
DOOR  
125420-06-CHT  
CABLE  
076767-03-000  
AL EXTR  
002726-51-018 (2)  
002726-51-017 (2)  
SCREW  
000G39-10-16U (20)

WATER-HEATER  
145541-02-000  
DOOR  
125420-06-CHT  
CABLE  
076767-03-000  
AL EXTR  
002726-51-018 (2)  
002726-51-017 (2)  
SCREW  
000G39-10-16U (20)



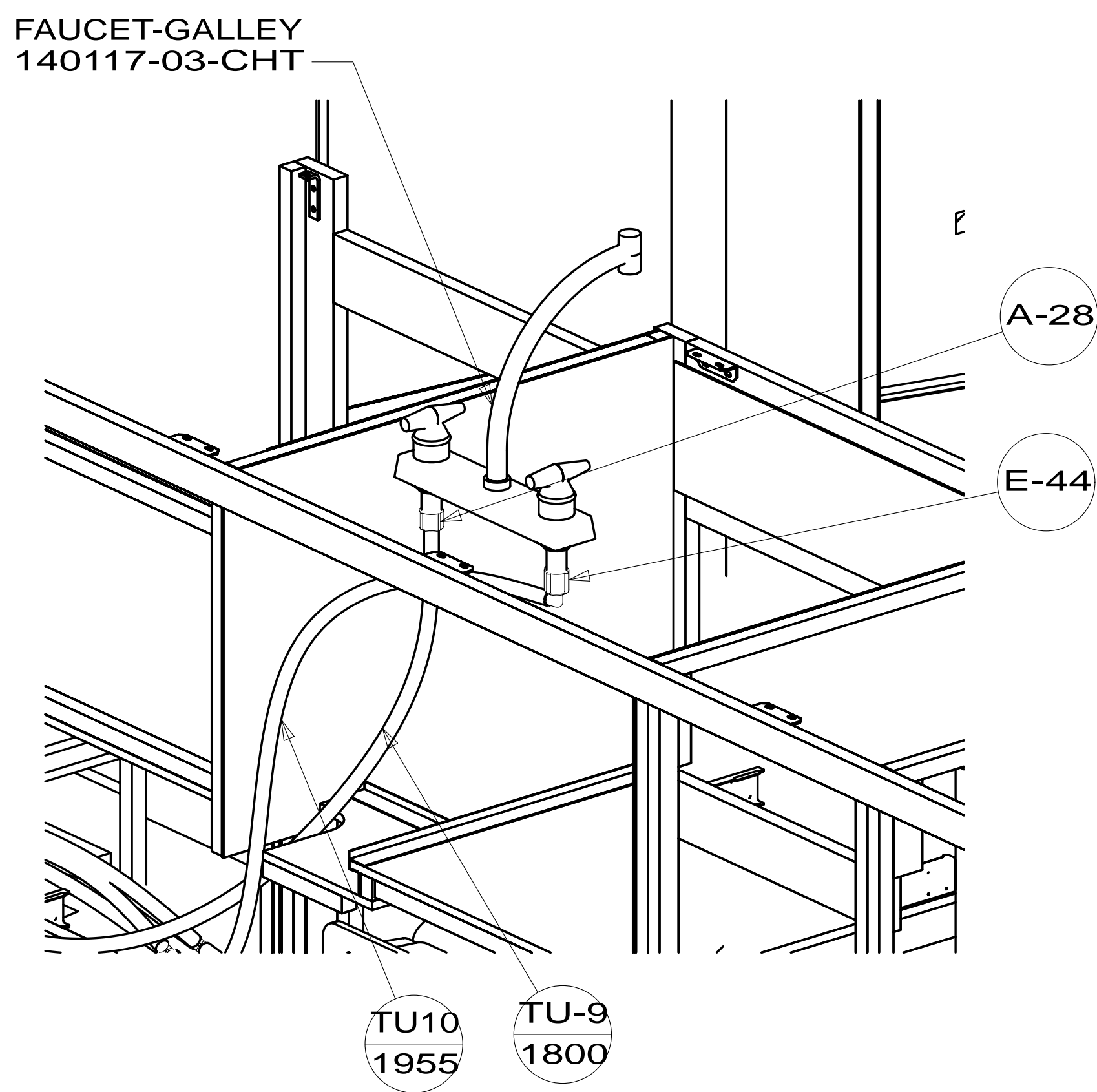
CLAMP  
010495-04-000  
SCREW  
000G67-10-12U  
LUMBER  
052372-D0-080

LUMBER  
052372-D0-128

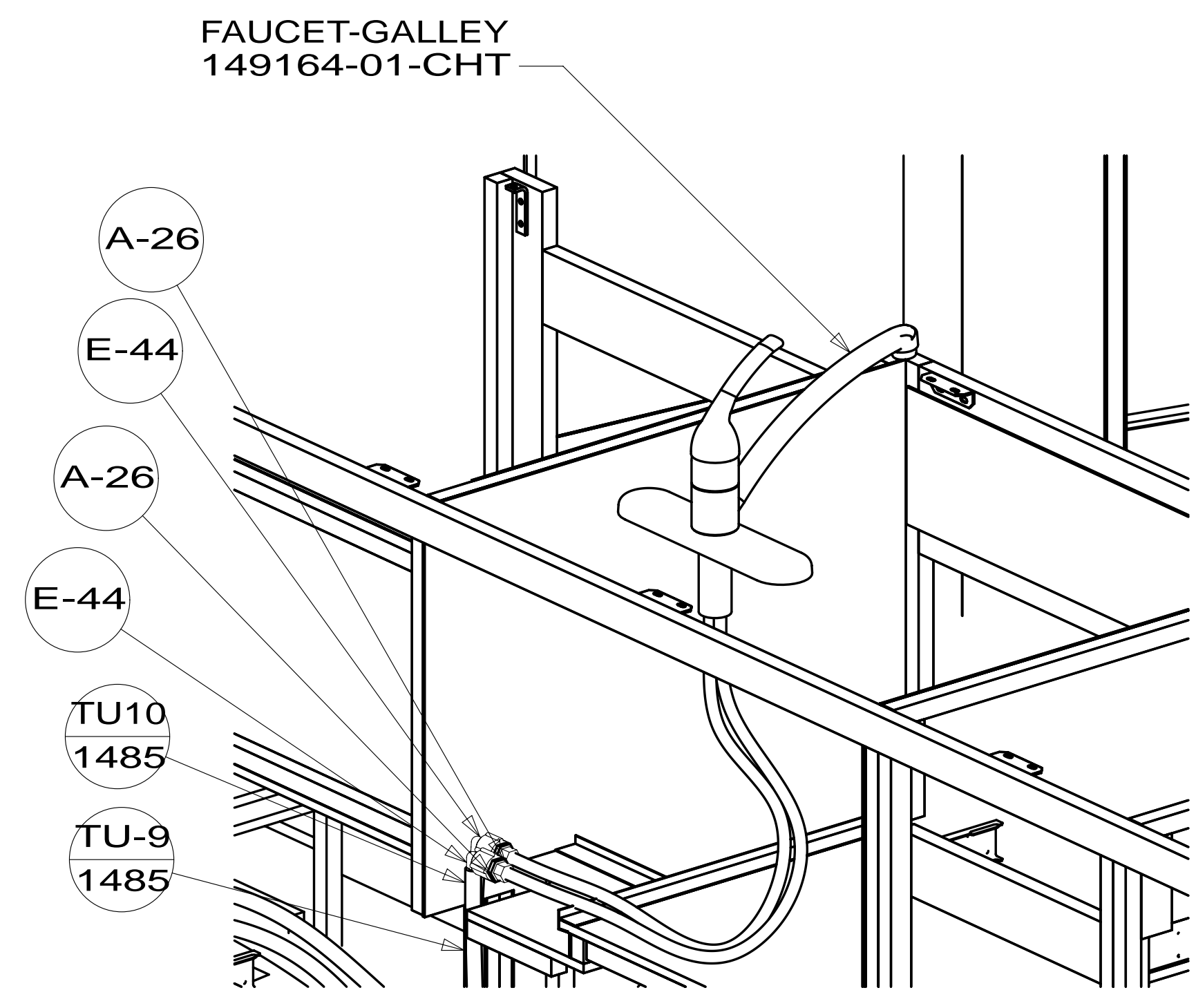
CLAMP  
010495-04-000  
SCREW  
000G67-10-12U

FIRST USED	12 226Q/QP
DO NOT SCALE DRAWING	
TITLE: WATER SYSTEM INSTL	
SHEET 3	PART NO 178128 REV

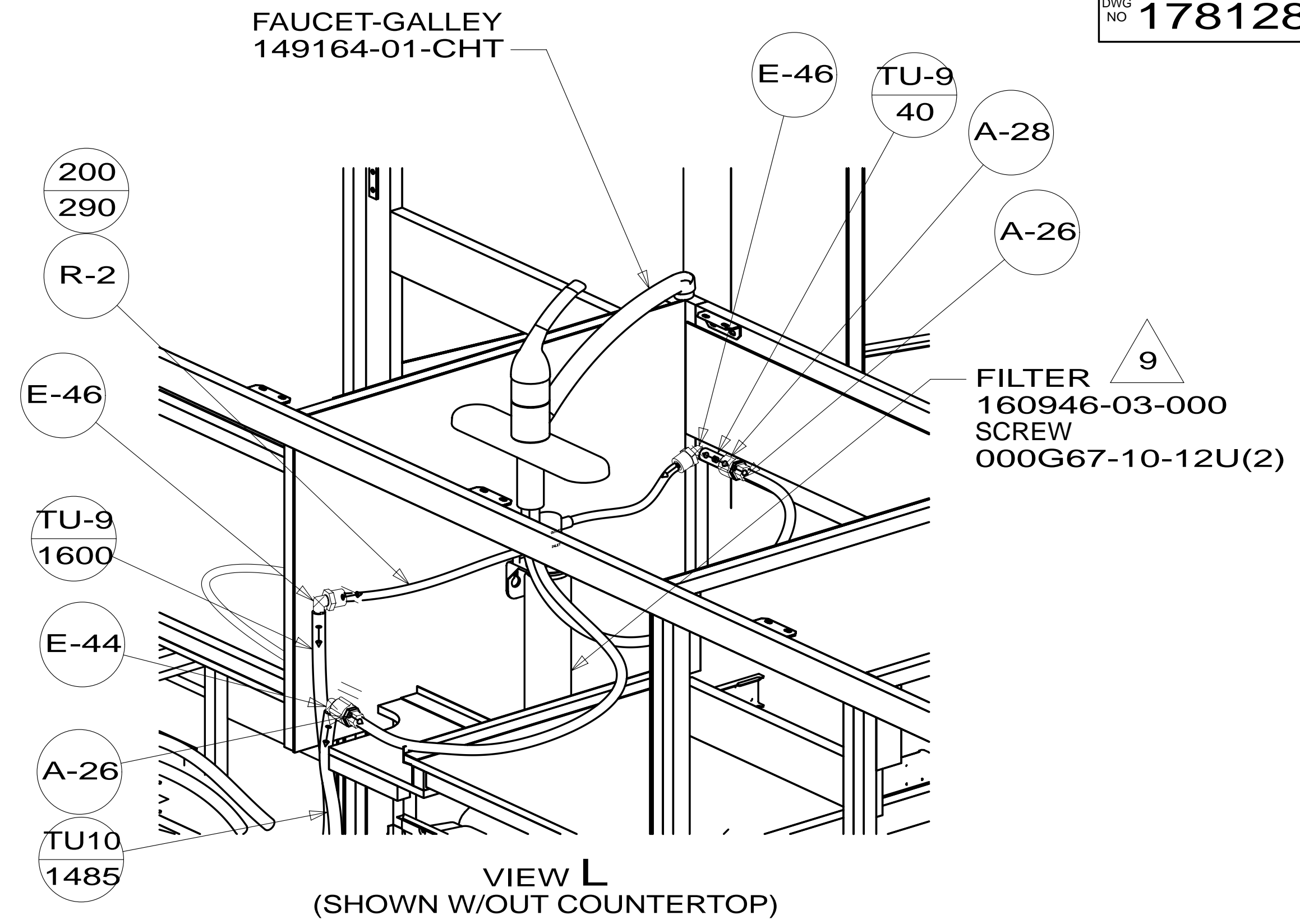
\* 178128 \* A



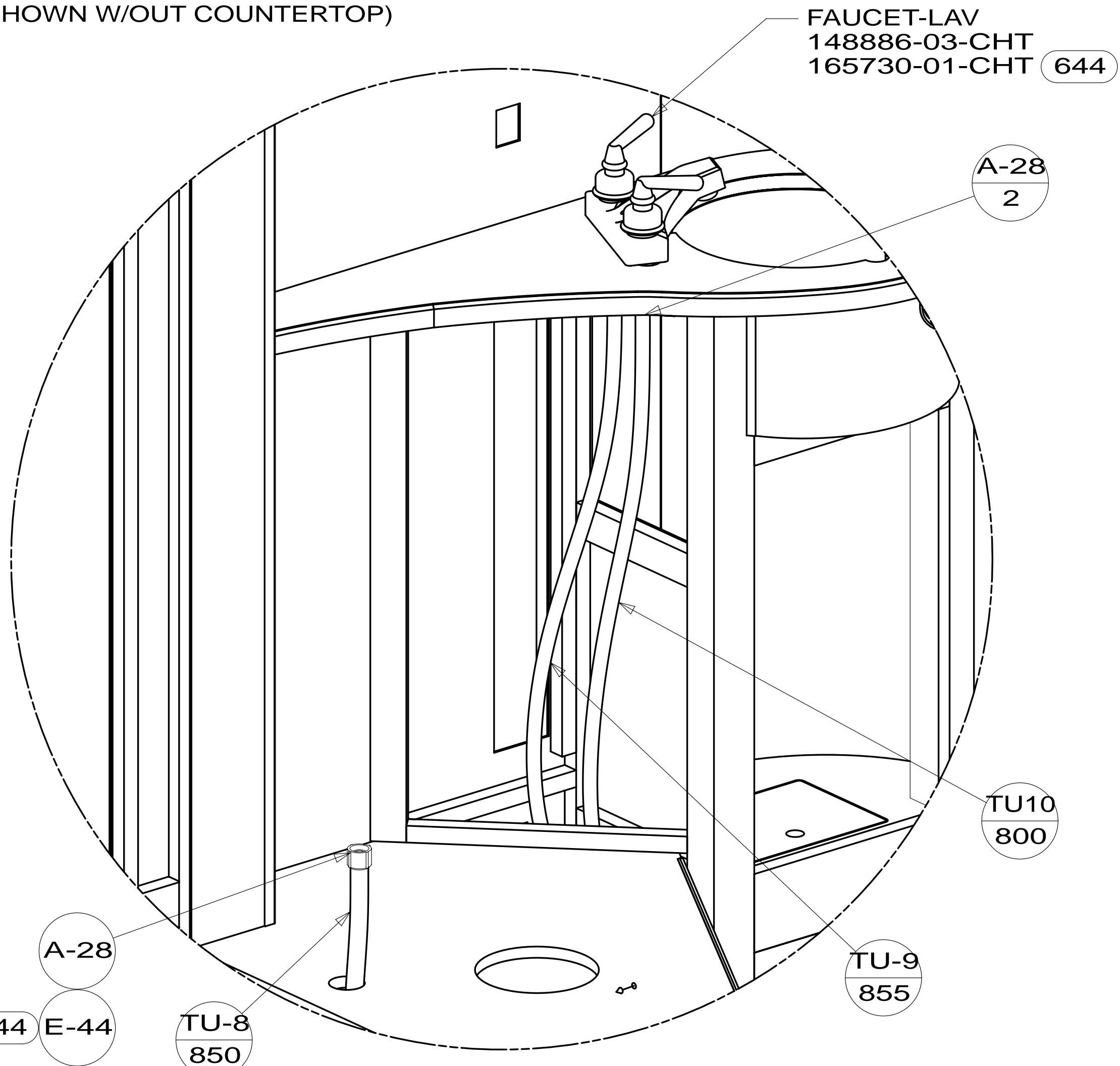
VIEW K  
(SHOWN W/OUT COUNTERTOP)



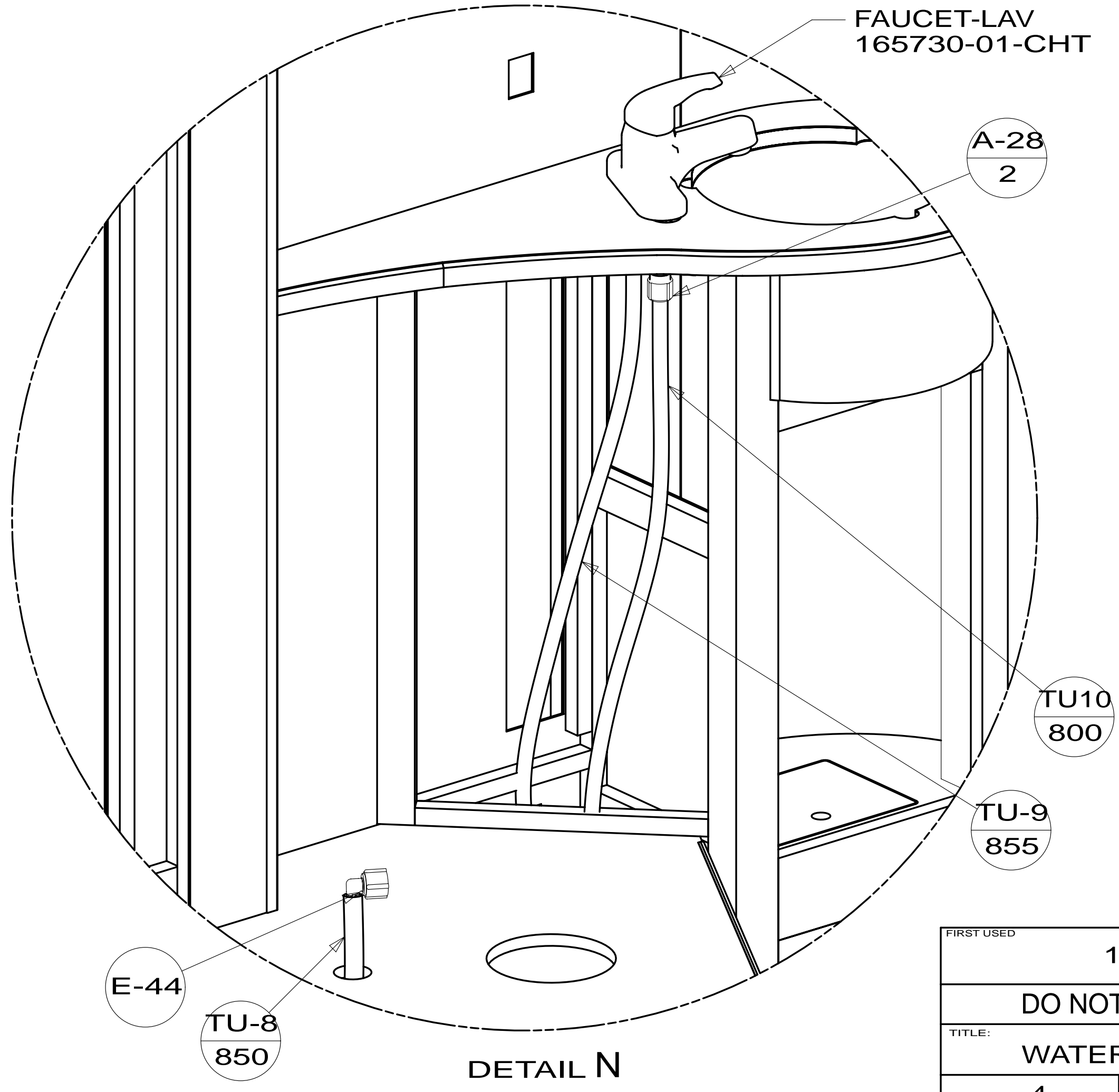
VIEW K  
(SHOWN W/OUT COUNTERTOP) 644



VIEW L  
(SHOWN W/OUT COUNTERTOP)



DETAIL M



DETAIL N

FIRST USED	12 226Q/QP
DO NOT SCALE DRAWING	
TITLE:	WATER SYSTEM INSTL
SHEET 4	PART NO 178128 REV
19-Aug-2013	

\*178128 \*A