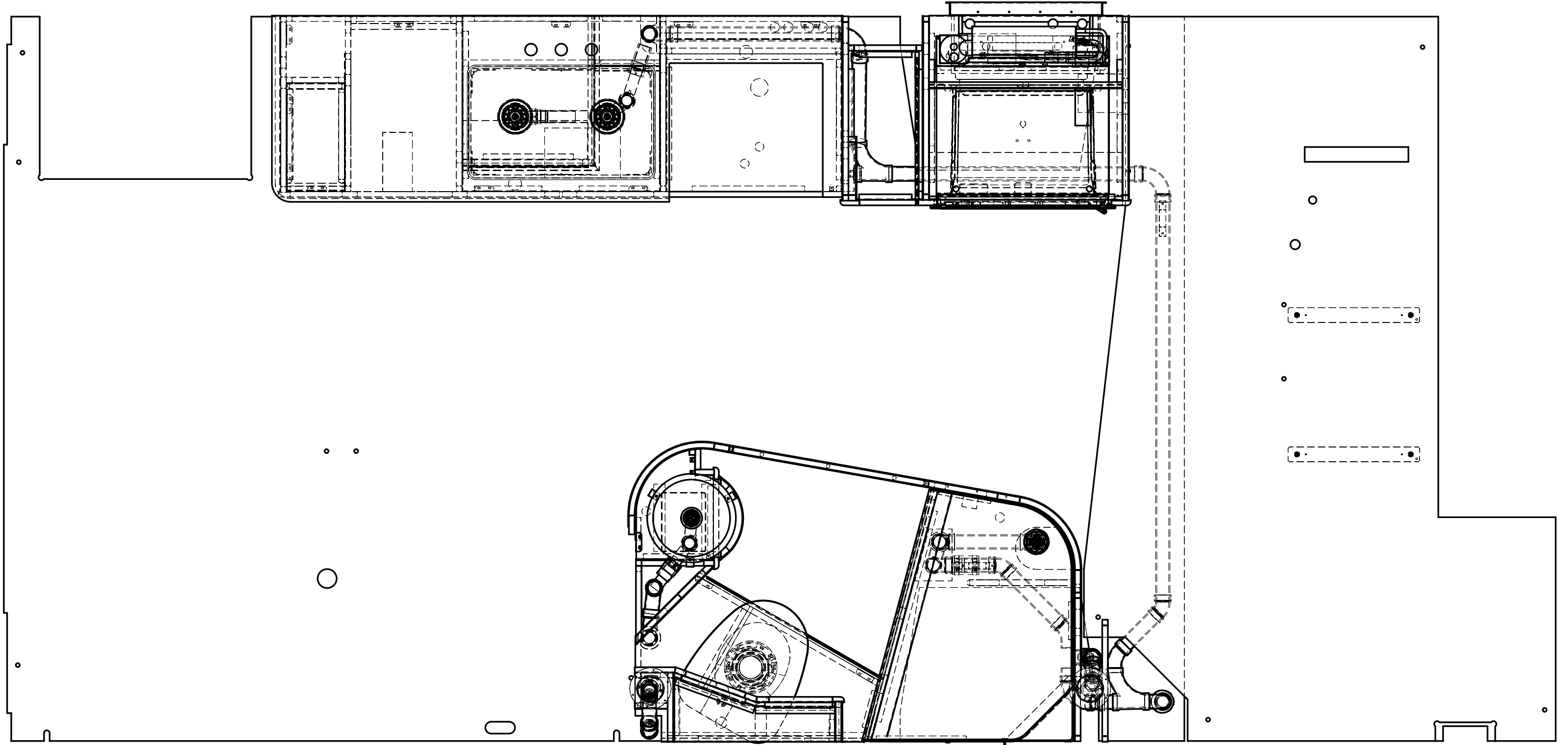


DWG NO	MODEL	DETAIL
179849-01	226Q	G
179849-02	226QP	H

RELEASE	REV DATE	DWG NO	179849
REV ZONE	REVISION RECORD	DATE	DFT-ORIG



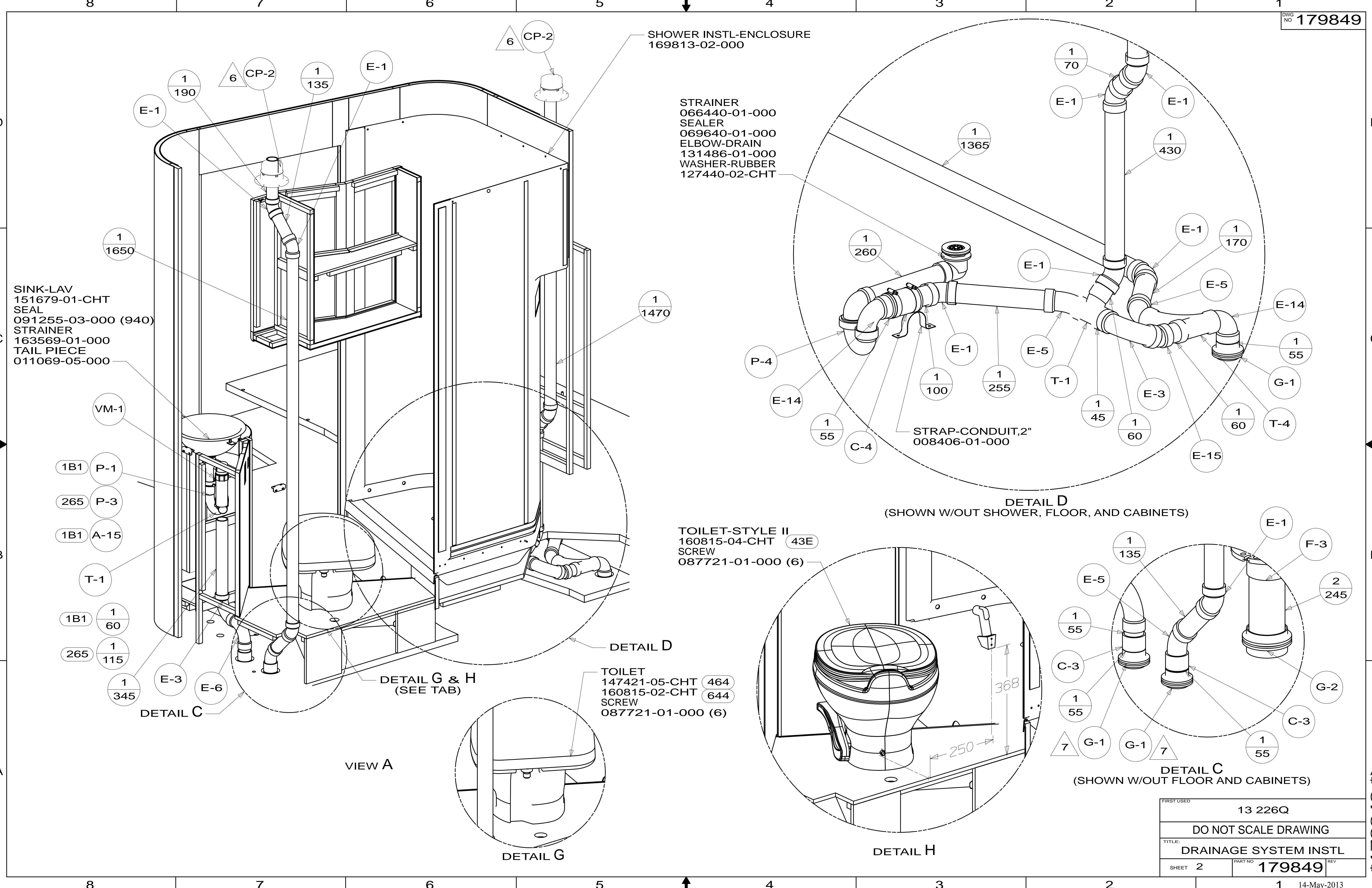
- NOTES:
1. SLOPE OF HORIZONTAL PIPING TO BE MINIMUM OF 3 PER 305 mm.
 2. SLOPE OF TRAP ARM MUST BE 6 PER 305 mm.
 3. ALL PIPE AND FITTINGS TO BE ASSEMBLED WITH SOLVENT 004020-01-000 (USA), 004020-02-000 (CAN)
 4. USE SMOOTH PLUMBERS PUTTY 167459-01-000 TO SEAL STRAINER (0.2 PER STRAINER).
 5. SEAL AROUND SHOWER WITH SILICONE.
 6. VENT PIPE MUST PROJECT 51 MIN AND 64 MAX ABOVE ROOF FOR PROPER FIT AND FUNCTION. ADD S-1 (116666-01-CHT SEAL-VENT PIPE) AROUND PIPE ON ROOF BEFORE VENT CAP IS INSTALLED.
 7. SECURE VENT PIPE TO FLOOR WITH CLAMP 062401-02-000 (2), SCREW 000G67-10-12U (2), BRACKET 136878-01-CHT (2).
 8. SECURE DRAINAGE PIPES TO CABINET USING WIRE TIE 108046-02-000, AND SCREW 000G67-10-12U AT INTERVALS OF NOT OF NOT MORE THAN 4 FEET APART.
 9. SEE DRAWING 061607 FOR INSTALLATION OF GROMMETS.
 10. SEE WIRING INSTL-BODY FOR ELECTRICAL CONNECTION.
 11. PREP THE SURFACE PER MANUFACTURERS INSTRUCTIONS BEFORE APPLYING THE HEATING PAD.
 12. ROTATE VALVES SO HANDLES CAN BE ACCESSED THROUGH THE DOOR.

- 649 RENTAL-CANADREAM
- 43E TOILET-PORCELAIN-ROUND
- 644 GREAT ALASKAN RENTAL PACKAGE
- 464 TOILET
- 265 CODES/STANDARDS-CSA/CMVSS
- 23T DRAINAGE SYSTEM-HEATED
- 1B1 CODES/STANDARDS USA

		COPYRIGHT 2013 WINNEBAGO INDUSTRIES, INC.
DFT-ORIG	ORIG. DATE	
CHKR	ALL DIMENSIONS ARE IN MILLIMETERS	
P.E.		
M.E.	FIRST USED	
DSNR	13 226Q	
UNSPECIFIED TOLERANCES ARE:		MATERIAL:
WHOLE DIM (X)	: 3	
ONE-PLACE (X.X)	: 1.5	
TWO-PLACE (X.XX)	: 0.50	
ANGLE	: 1°	
THIRD ANGLE PROJECTION		
DO NOT SCALE DRAWING		REFER TO ES0018 FOR FASTENER TIGHTENING GUIDELINES
TITLE: DRAINAGE SYSTEM INSTL		
SHEET 1 OF 4	PART NO	179849
REF:	1	14-May-2013

FOR DRAINAGE CALLOUTS SEE DWG NO 116229-01-000

* 179849 * A



SINK-LAV
151679-01-CHT
SEAL
091255-03-000 (940)
STRAINER
163569-01-000
TAIL PIECE
011069-05-000

SHOWER INSTL-ENCLOSURE
169813-02-000

STRAINER
066440-01-000
SEALER
069640-01-000
ELBOW-DRAIN
131486-01-000
WASHER-RUBBER
127440-02-CHT

DETAIL D
(SHOWN W/OUT SHOWER, FLOOR, AND CABINETS)

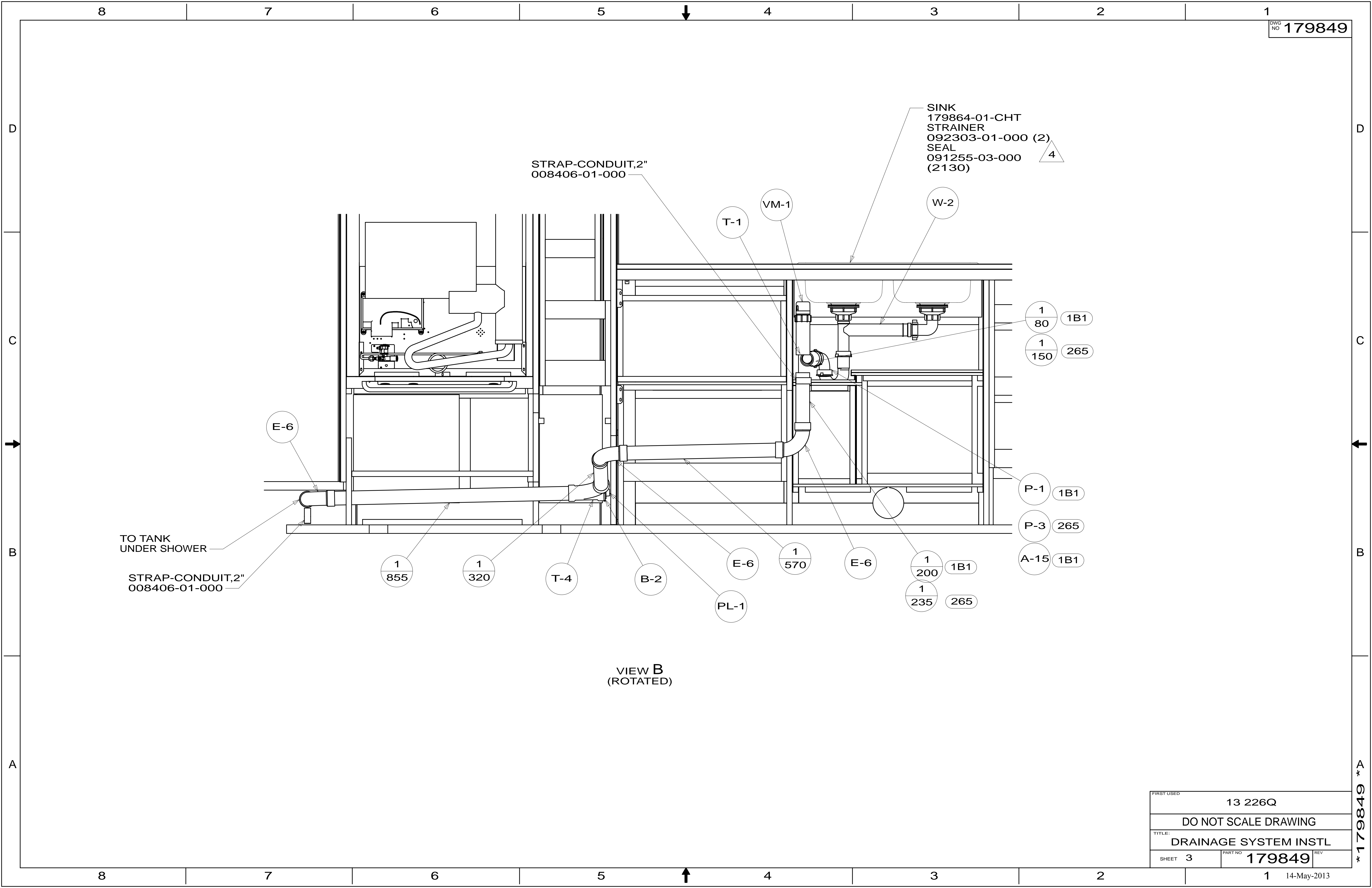
TOILET-STYLE II
160815-04-CHT 43E
SCREW
087721-01-000 (6)

TOILET
147421-05-CHT 464
160815-02-CHT 644
SCREW
087721-01-000 (6)

DETAIL C
(SHOWN W/OUT FLOOR AND CABINETS)

FIRST USED	13 226Q
DO NOT SCALE DRAWING	
TITLE: DRAINAGE SYSTEM INSTL	
SHEET 2	PART NO 179849 REV
14-May-2013	

* 179849 * A



STRAP-CONDUIT, 2"
008406-01-000

SINK
179864-01-CHT
STRAINER
092303-01-000 (2)
SEAL
091255-03-000 (2130)

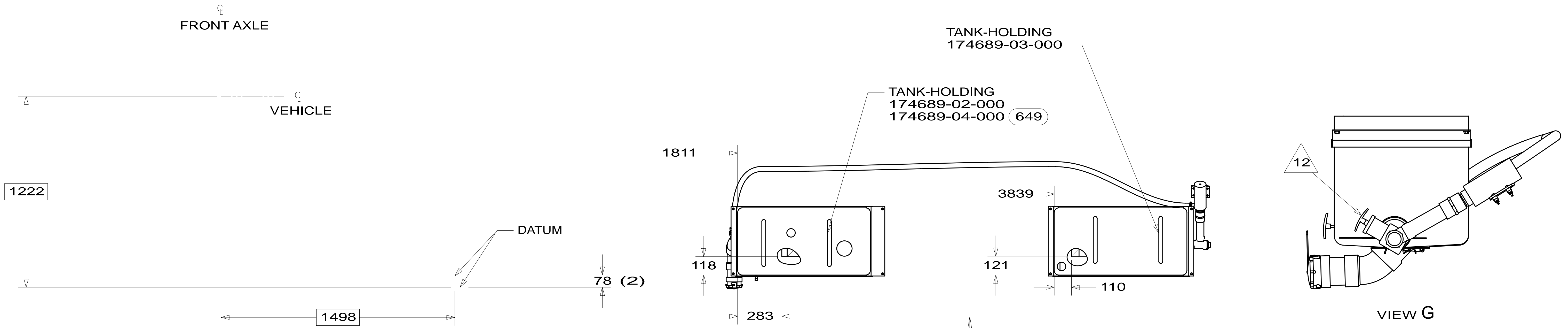
TO TANK
UNDER SHOWER

STRAP-CONDUIT, 2"
008406-01-000

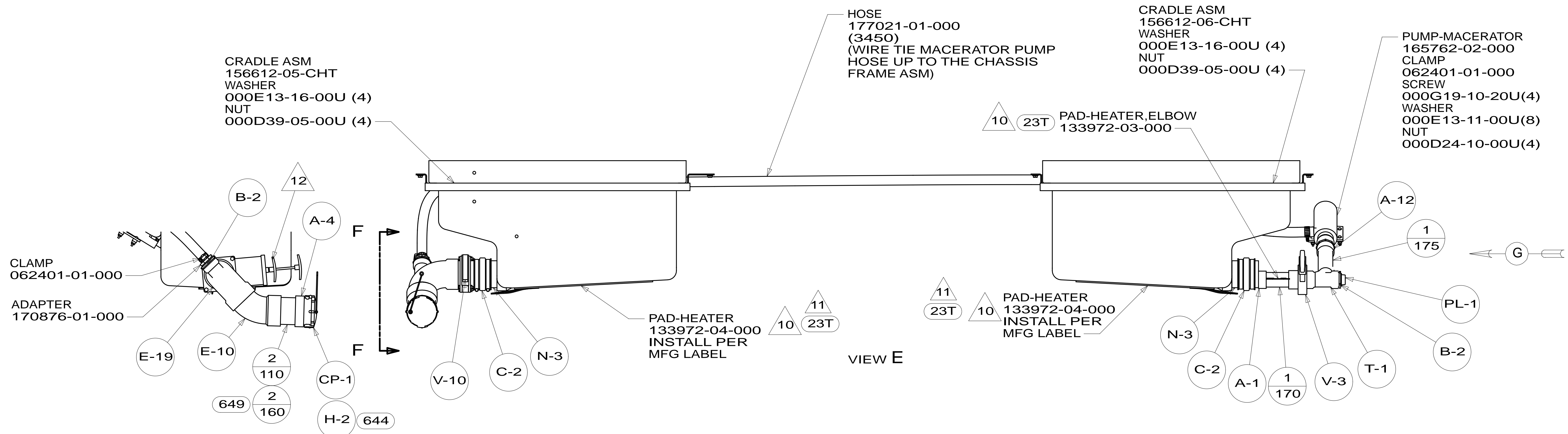
VIEW B
(ROTATED)

FIRST USED	13 226Q		
DO NOT SCALE DRAWING			
TITLE: DRAINAGE SYSTEM INSTL			
SHEET 3	PART NO	179849	REV
		1	14-May-2013

* 179849 * A



SHOWING TANKS AND DRAINS ONLY



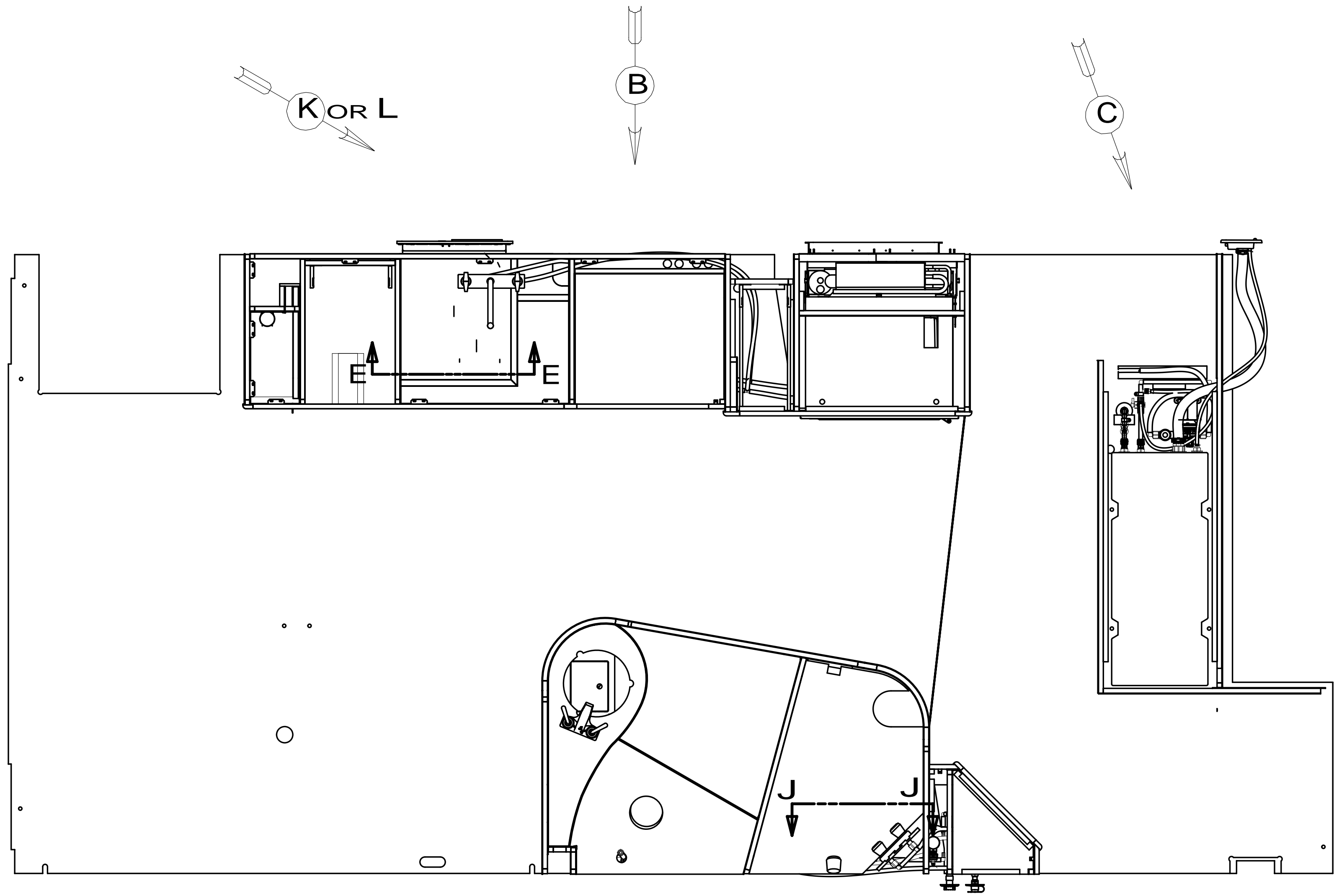
SECTION F-F

FIRST USED	13 226Q	
TITLE:	DO NOT SCALE DRAWING	
SHEET	4	PART NO 179849
REV		14-May-2013

* 179849 * A

DWG NO	MODEL	VIEW/DETAIL
178128-01	226Q	K, M
178128-02	226QP	L, N

RELEASE	REV DATE	DWG NO	178128
REV ZONE	REVISION RECORD	DATE	DTR-ORIG



- 11. ATTACH WASHER-PLASTIC 087080-13-CHT W/TAPE-DOUBLE 123816-03 ON BOTTOM SIDE OF FLOOR.
- 10. ATTACH WASHER-PLASTIC 087080-11-CHT W/TAPE-DOUBLE 123816-03 ON BOTTOM SIDE OF COMPARTMENT.

- 9. INSTALL BYPASS PLUG FOR SYSTEM TESTING AND SHIPPING.
- 8. ALL CRIMP FITTINGS TO 1/2" PEX TUBING REQUIRE 1/2" CLAMP 140171-03-000.
- 7. ALL CRIMP FITTINGS TO 5/8" PEX TUBING REQUIRE 5/8" CLAMP 140171-04-000.
- 6. LABEL HOT AND COLD SUPPLY TUBES AND TAPE FITTING TO TUBE BEFORE CABINET SET TO PREVENT MOVEMENT.
- 5. ADD PIPE WRAP (LADDER SCRAP 110157-02-000) INSULATION.
- 4. ADD TEFLON TAPE 010405-02-000.

- 3. ALL TUBING TO BE SECURED AT 1200 INTERVALS MAXIMUM WITH CLAMP 010495-01-000 AND SCREW 000G67-10-12U OR EQUIVALENT.
- 2. TUBING TO BE INSTALLED WITH SUFFICIENT SLOPE TO PROVIDE DRAINAGE TO NEAREST VALVE.
- 1. PLASTIC FITTINGS TO BE SEALED WITH SEALANT 084456-01-000.

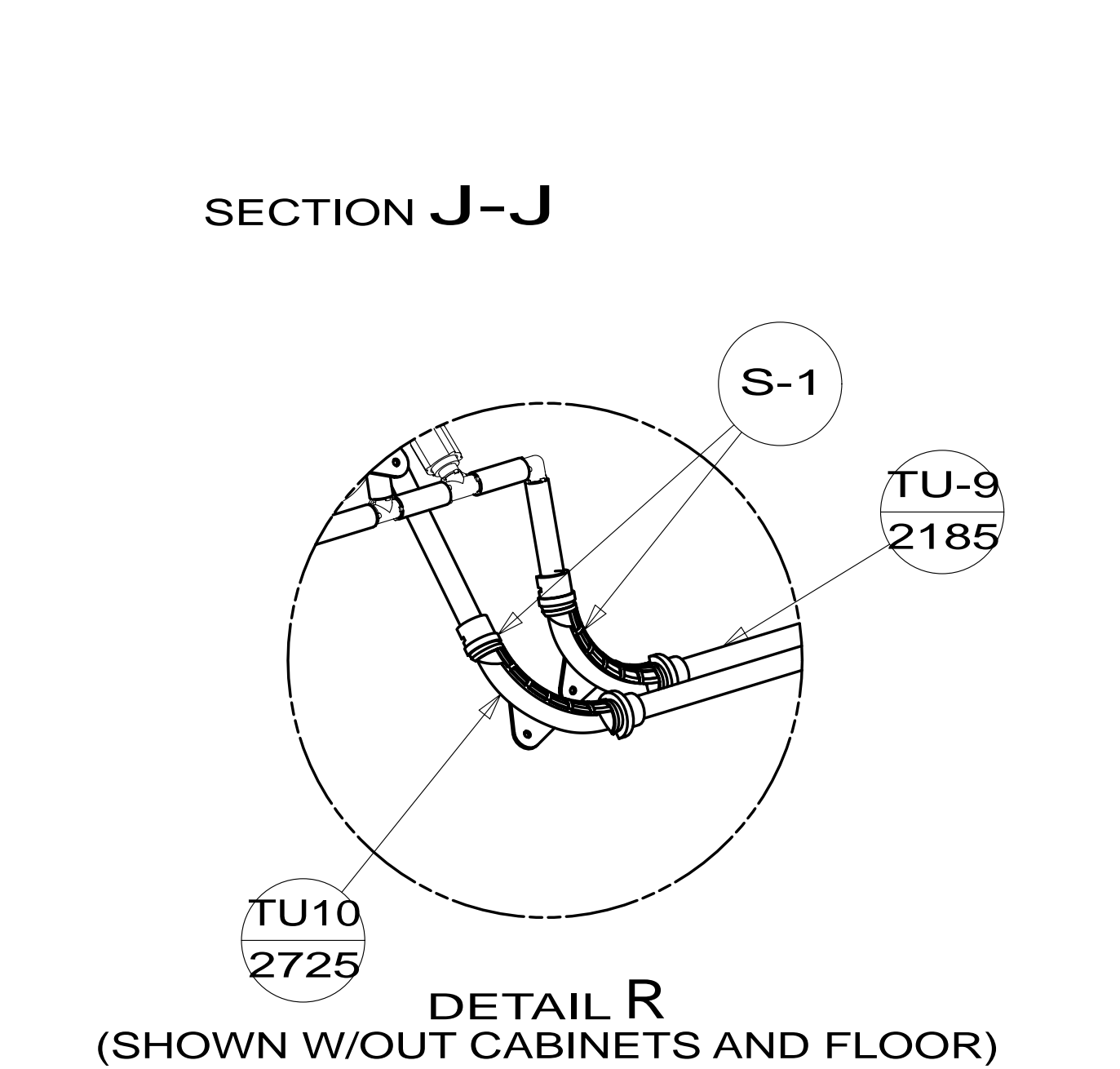
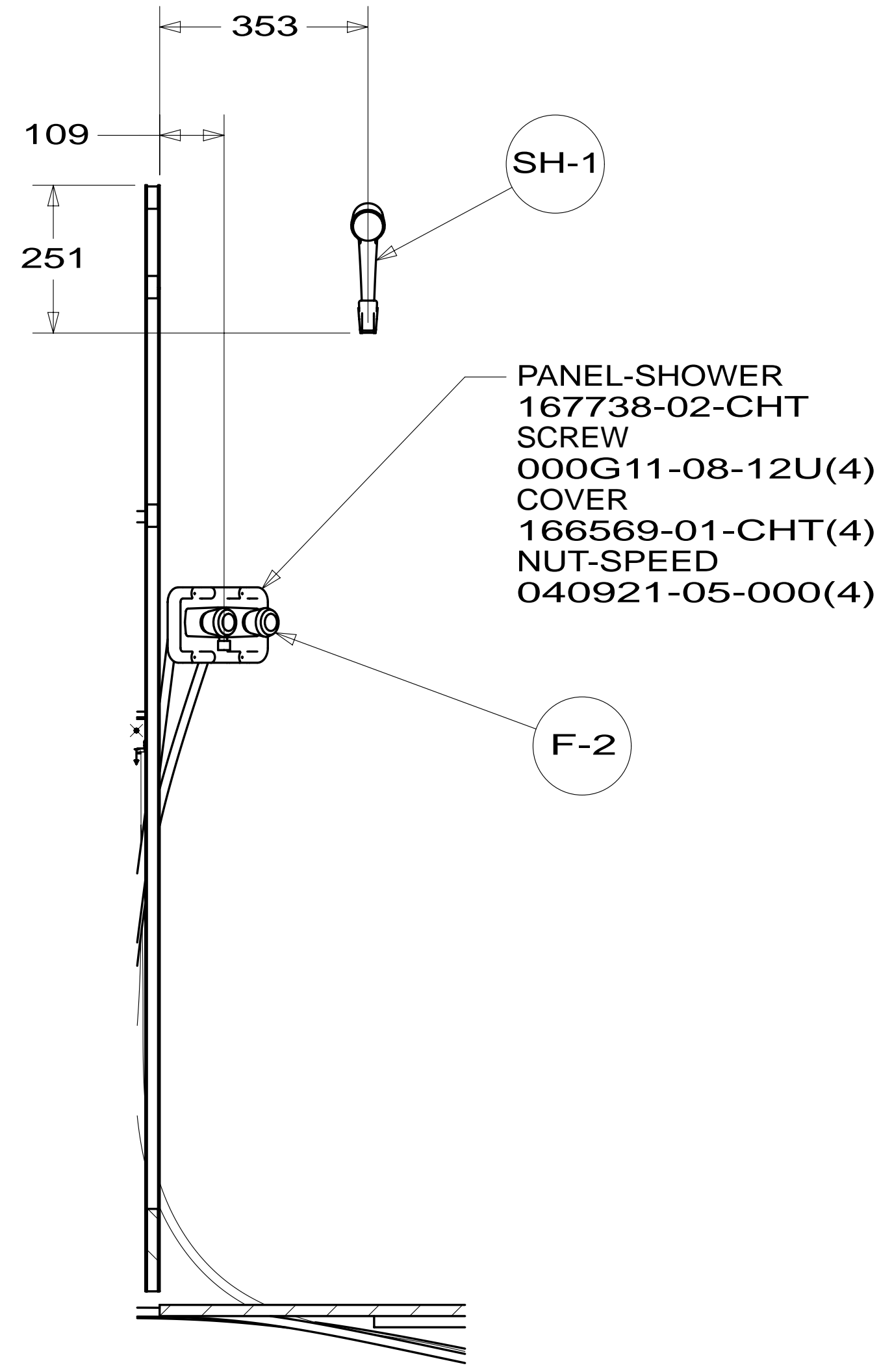
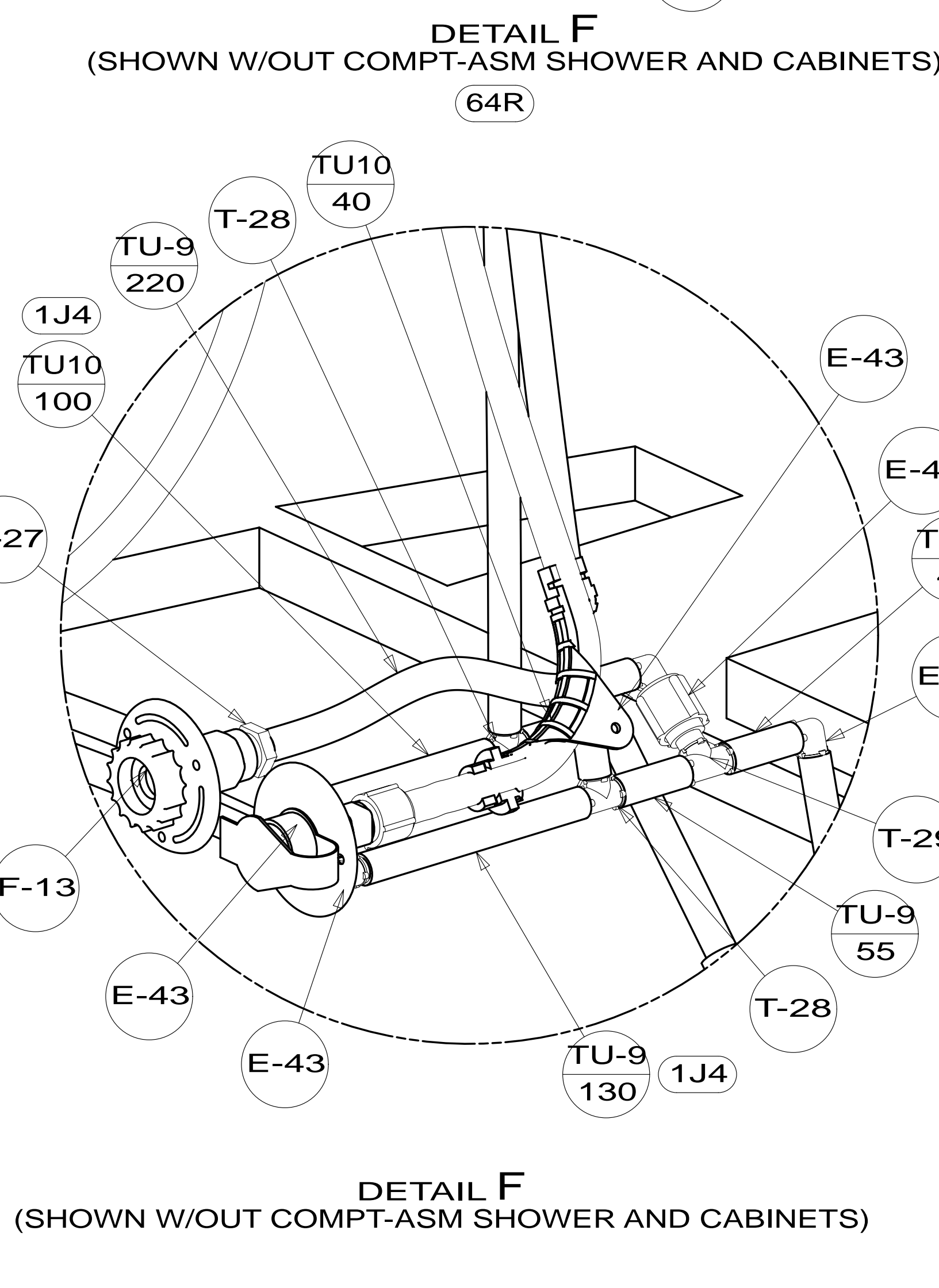
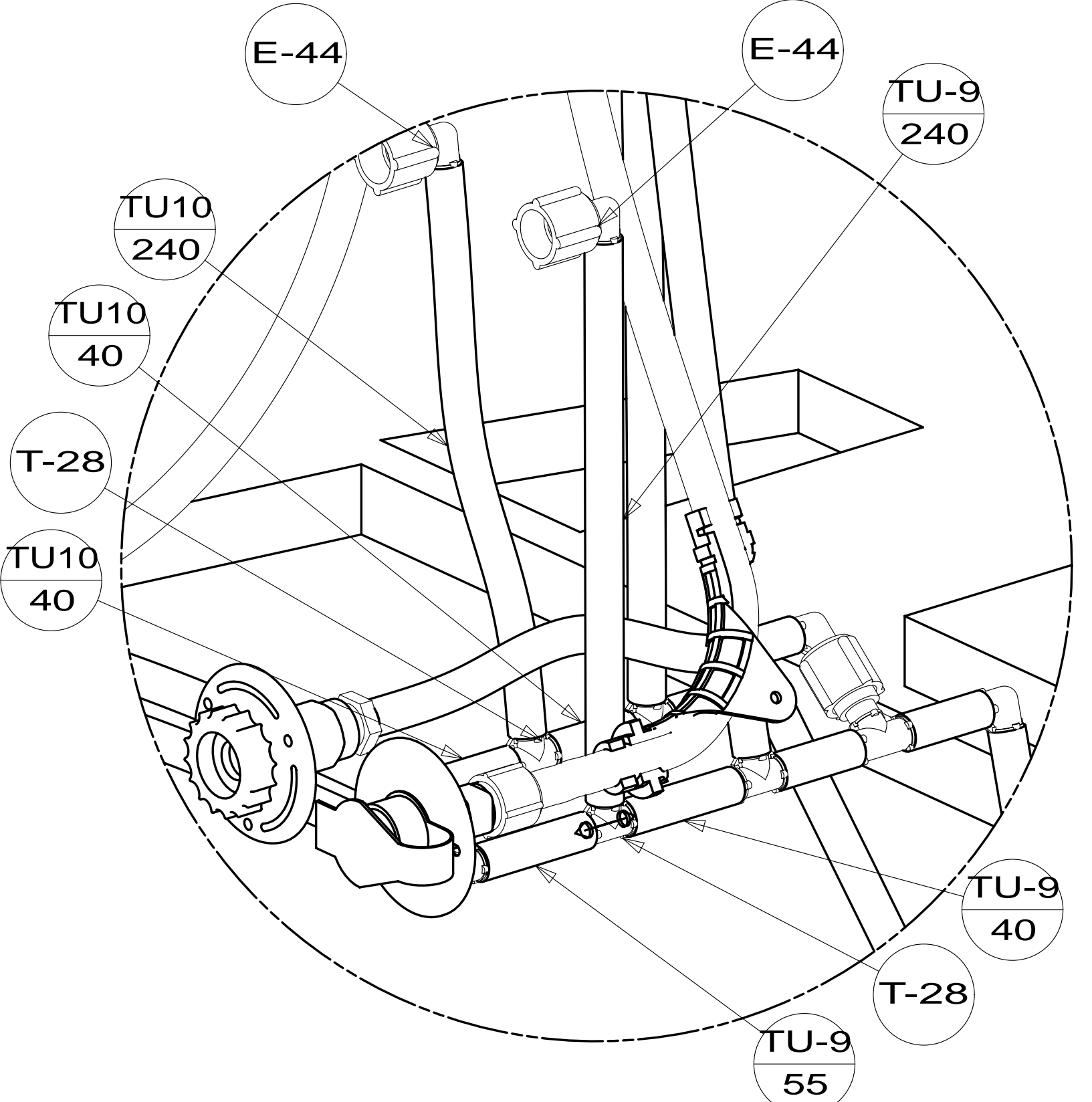
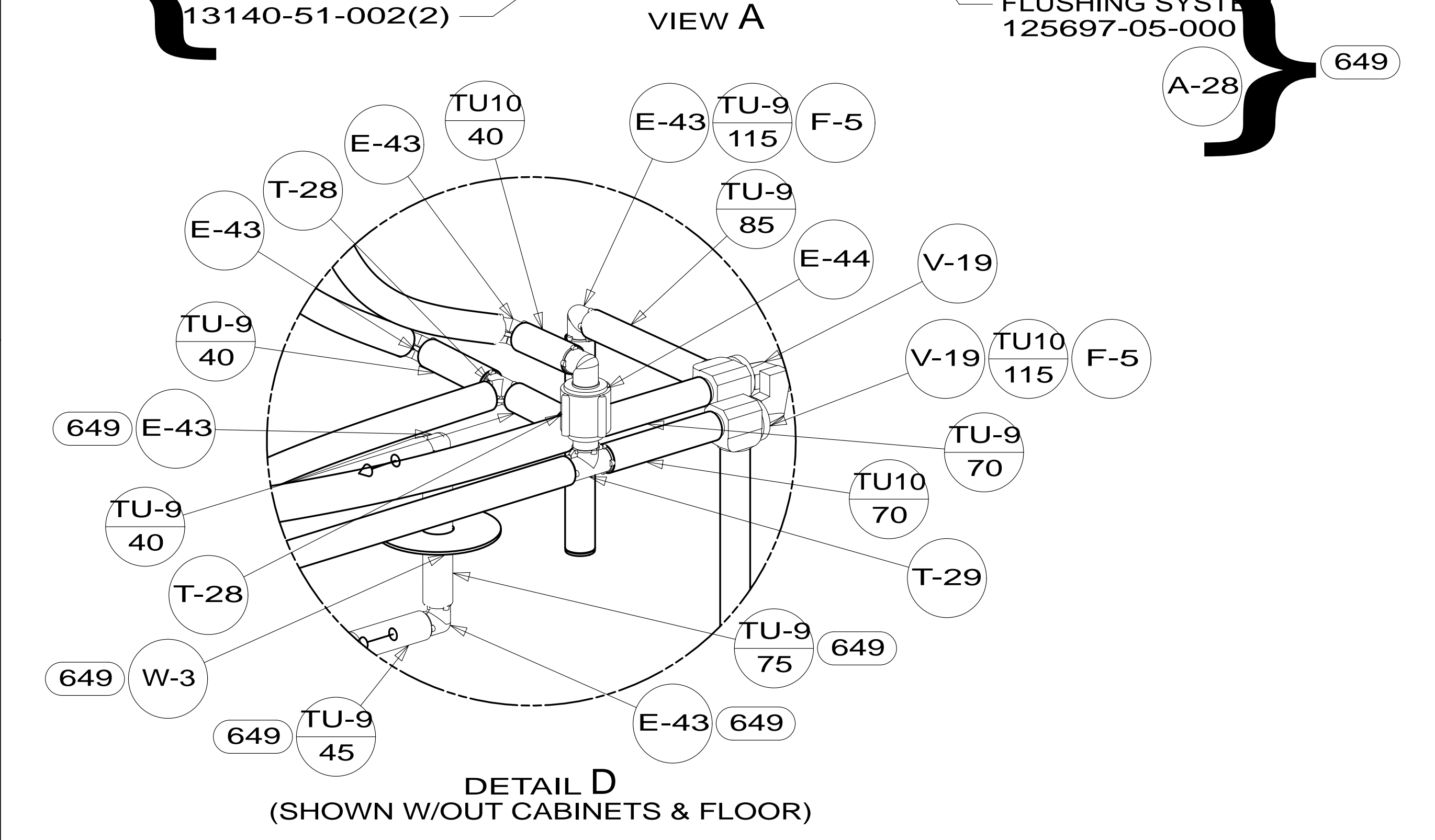
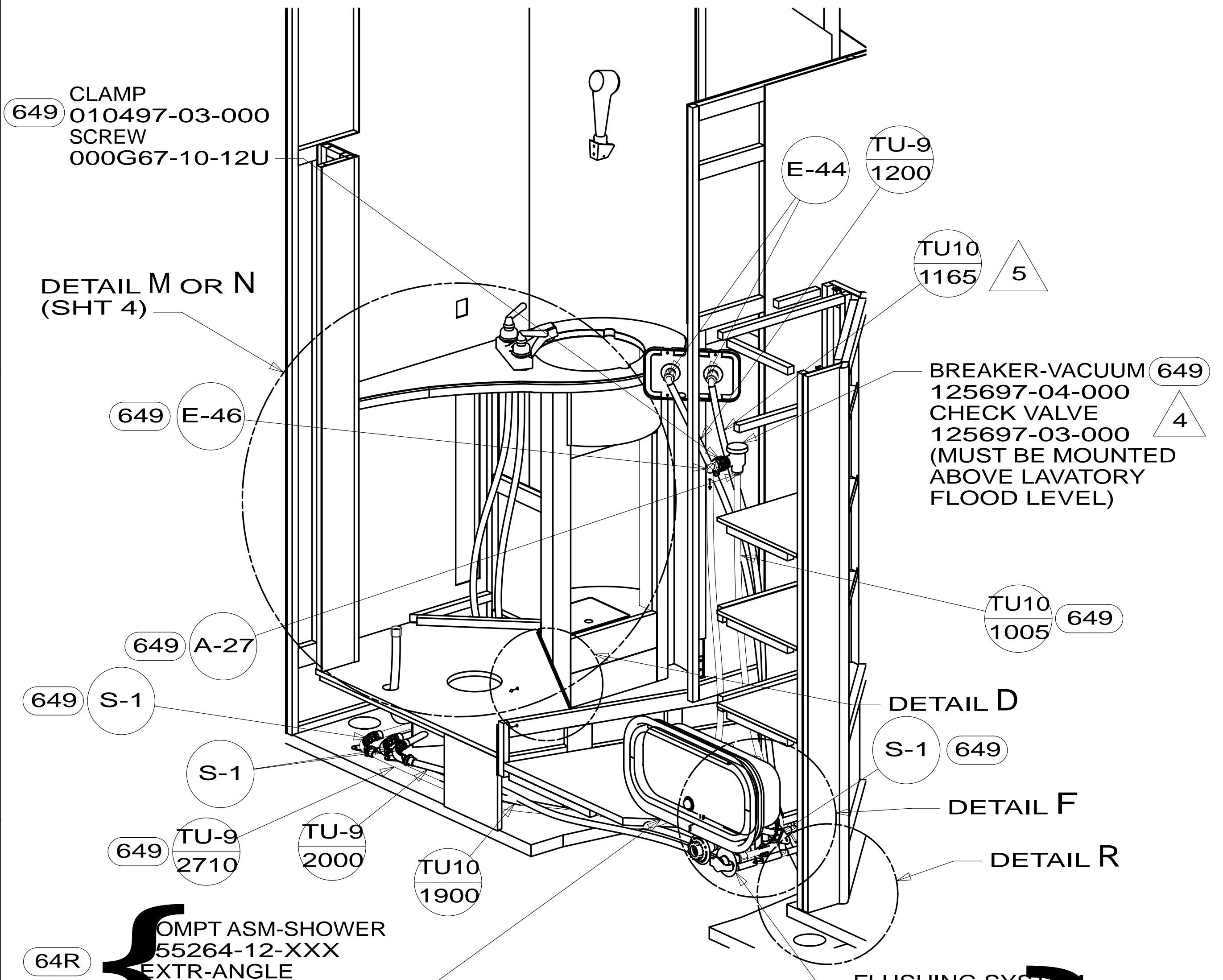
NOTES:

- 649 RENTAL - CANADREAM
- 64R EXTERIOR WASH STATION
- 53Z WTR HTR-6GAL/110/LP/MTR/AUTO
- 1J4 EXT WASH STATION - WITHOUT
- 53F WATER HEATER-ELEC. IGNITION
- 53E WATER SYS WINTERIZATION PKG
- 644 GREAT ALASKAN RENTAL PACKAGE

		COPYRIGHT 2013 WINNEBAGO INDUSTRIES, INC.	
DTR	ORIG. DATE	ALL DIMENSIONS ARE IN MILLIMETERS	
CHKR			
P.E.			
M.E.	FIRST USED		
DSNR		12 226Q/QP	
UNSPECIFIED TOLERANCES ARE:		MATERIAL:	
WHOLE DIM (X)	: 3		
ONE-PLACE (X.X)	: 1.5		
TWO-PLACE (X.XX)	: 0.50		
ANGLE	: 1°		
THIRD ANGLE PROJECTION			
DO NOT SCALE DRAWING		REFER TO ES0018 FOR FASTENER TIGHTENING GUIDELINES	
TITLE: WATER SYSTEM INSTL			
SHEET 1 OF 4	PART NO	178128	REV
REF:	1	19-Aug-2013	

FOR WATER CALLOUTS SEE DWG NO 116230-01-000

* 178128 * A



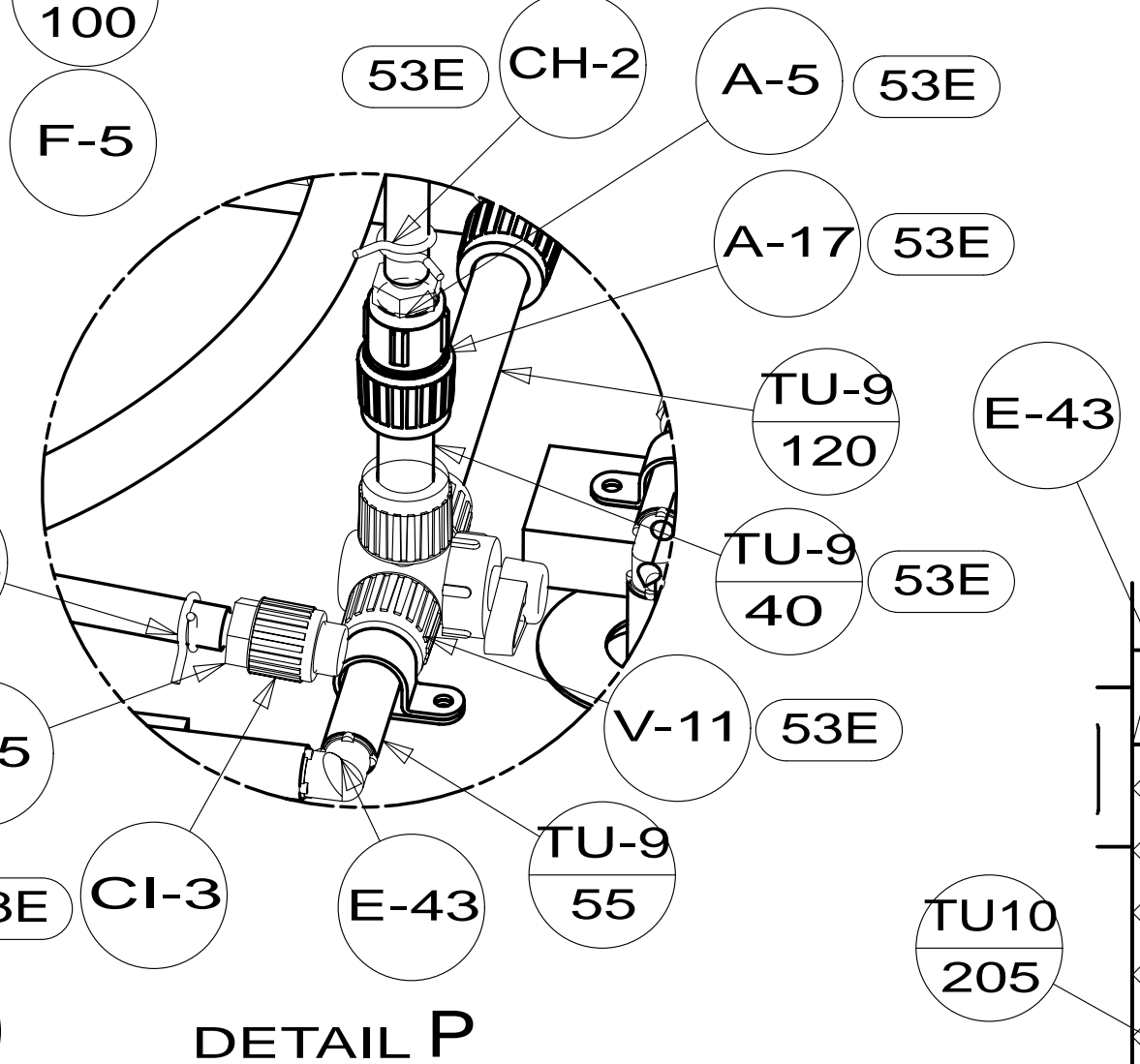
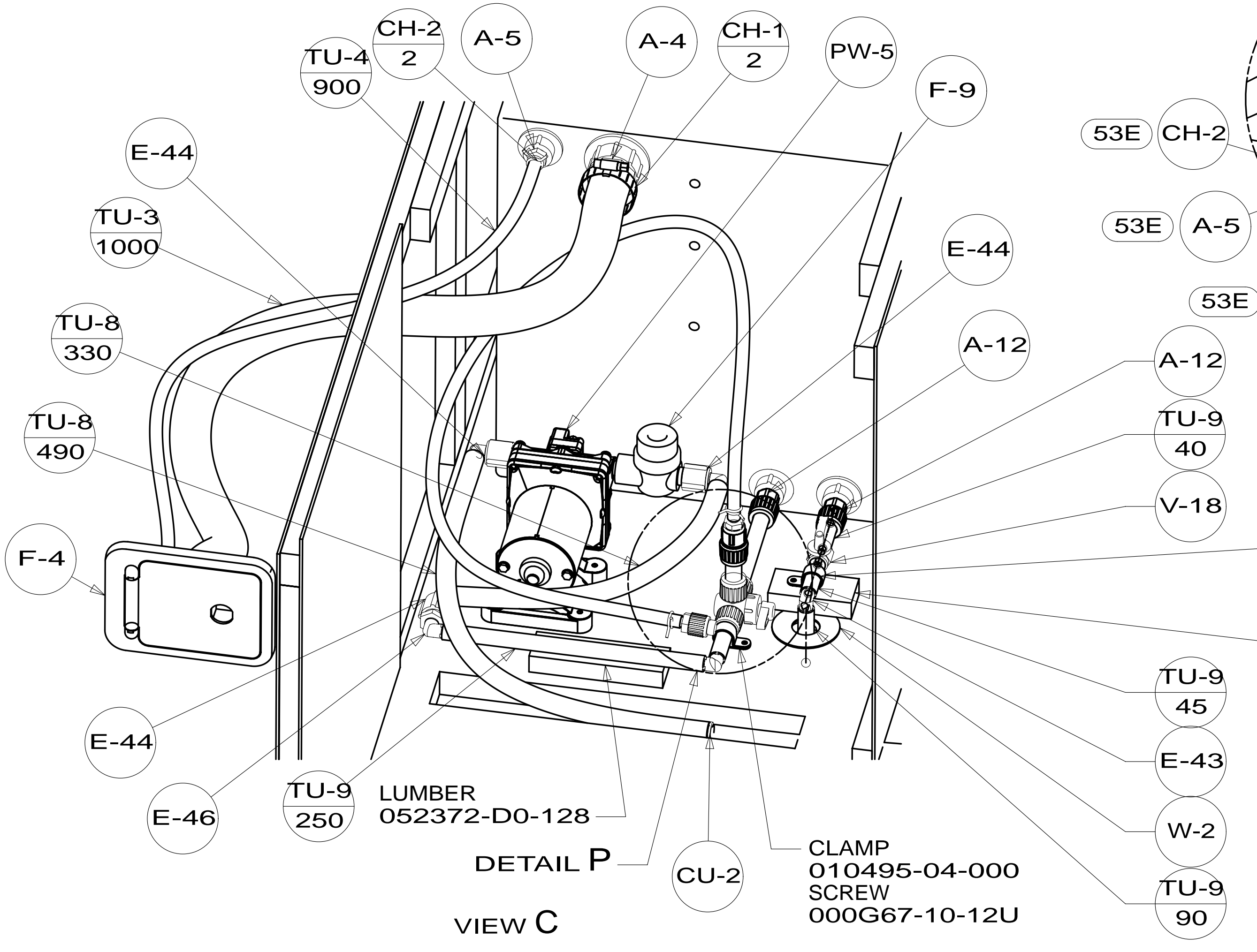
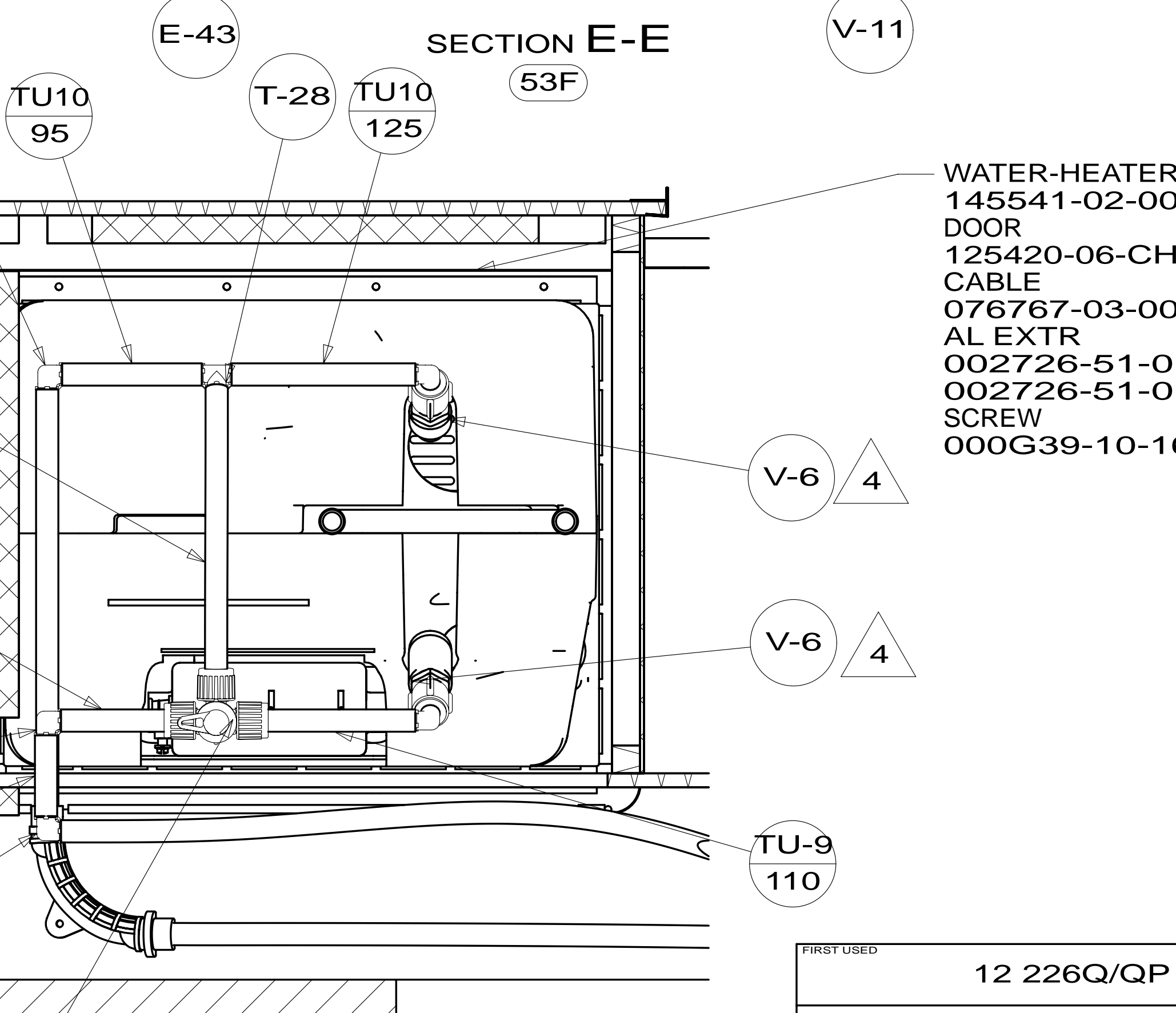
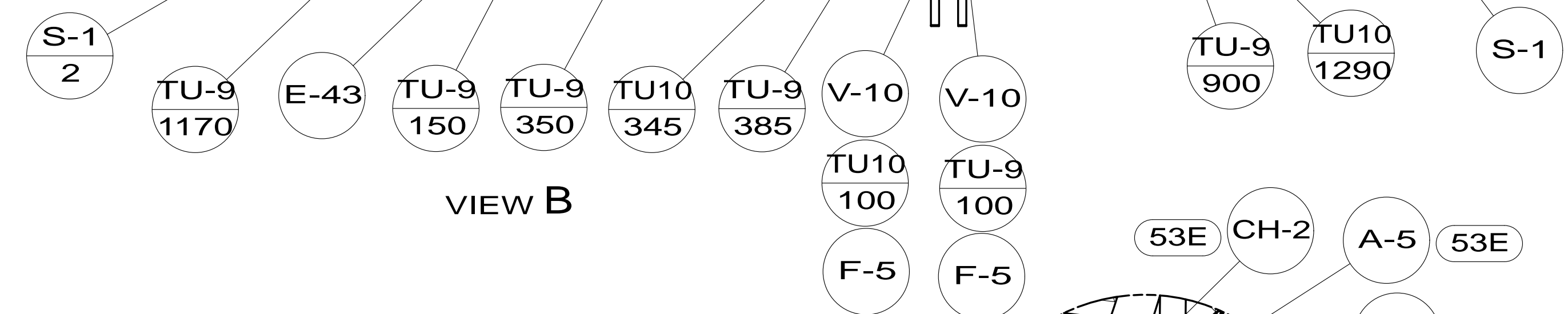
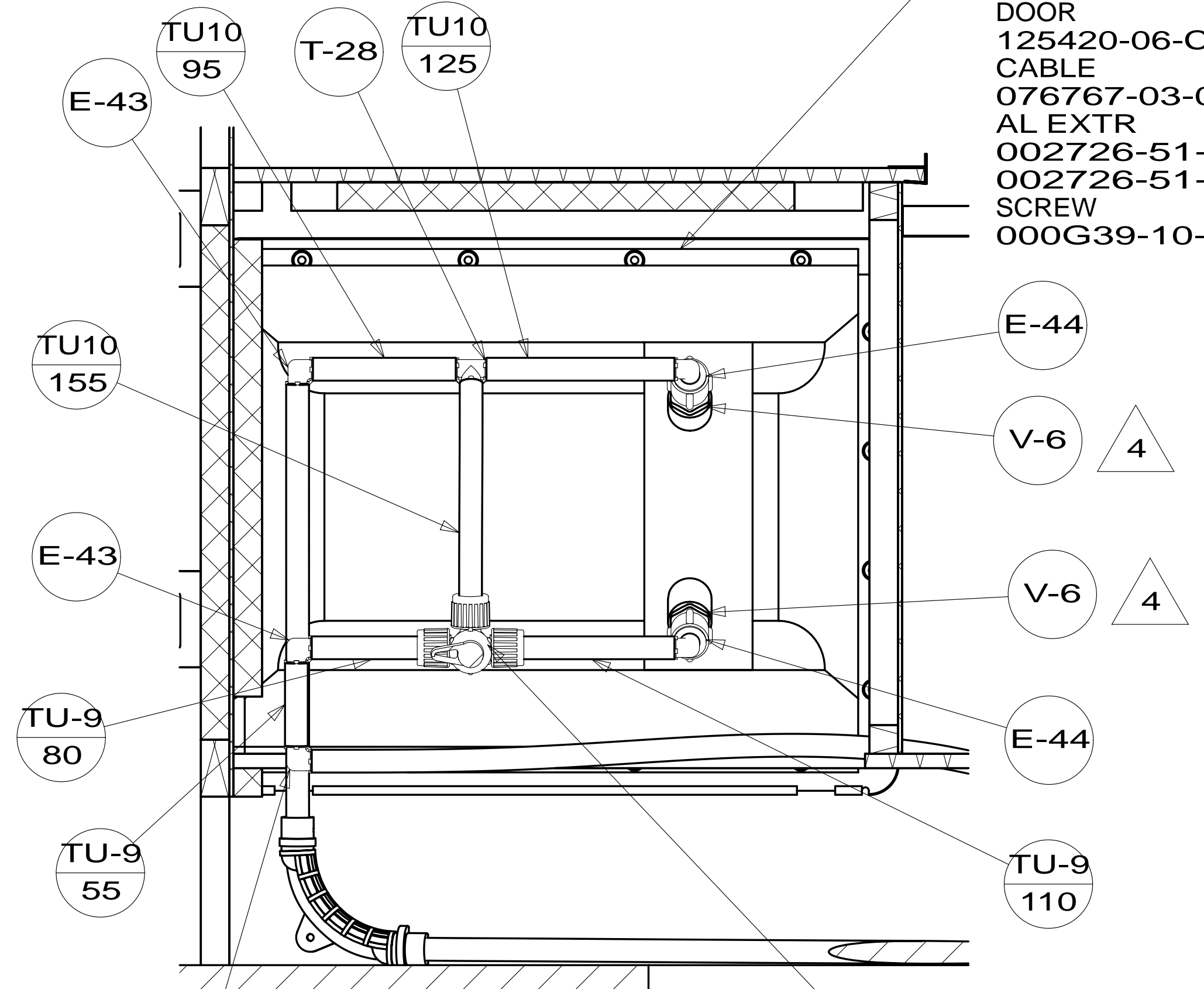
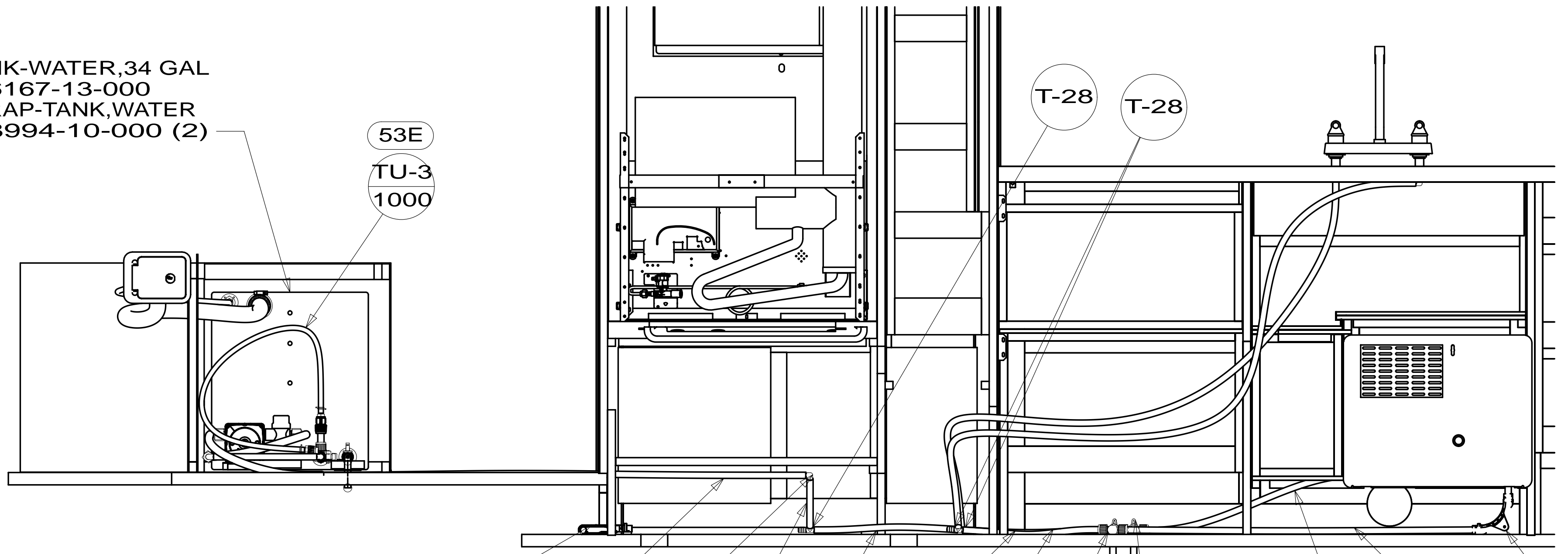
FIRST USED	12 226Q/QP	
DO NOT SCALE DRAWING		
TITLE:	WATER SYSTEM INSTL	
SHEET 2	PART NO 178128	REV
		19-Aug-2013

* 178128 * A

TANK-WATER, 34 GAL
156167-13-000
STRAP-TANK, WATER
118994-10-000 (2)

WATER-HEATER
051391-03-000
DOOR
125420-06-CHT
CABLE
076767-03-000
AL EXTR
002726-51-018 (2)
002726-51-017 (2)
SCREW
000G39-10-16U (20)

WATER-HEATER
145541-02-000
DOOR
125420-06-CHT
CABLE
076767-03-000
AL EXTR
002726-51-018 (2)
002726-51-017 (2)
SCREW
000G39-10-16U (20)

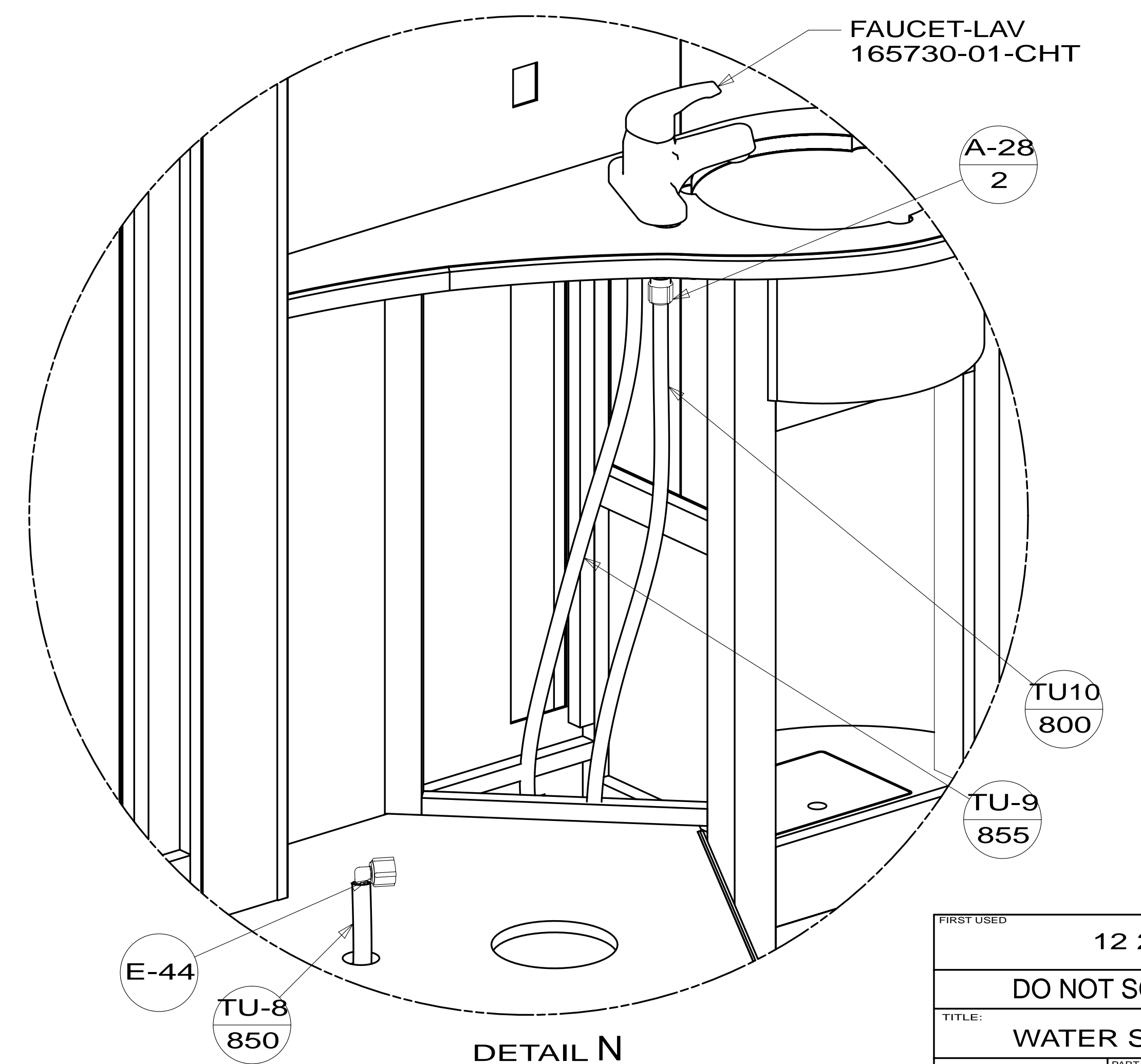
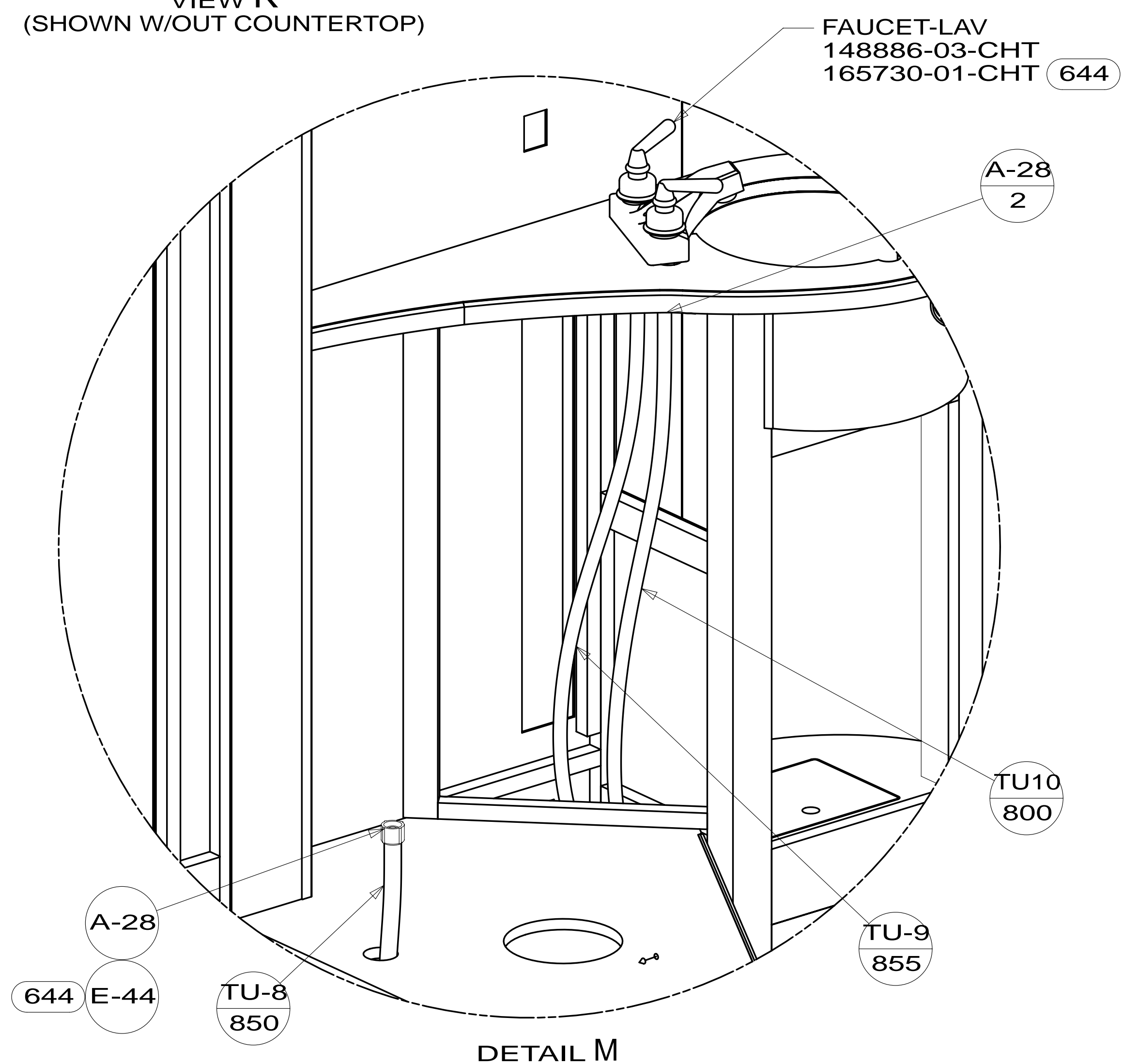
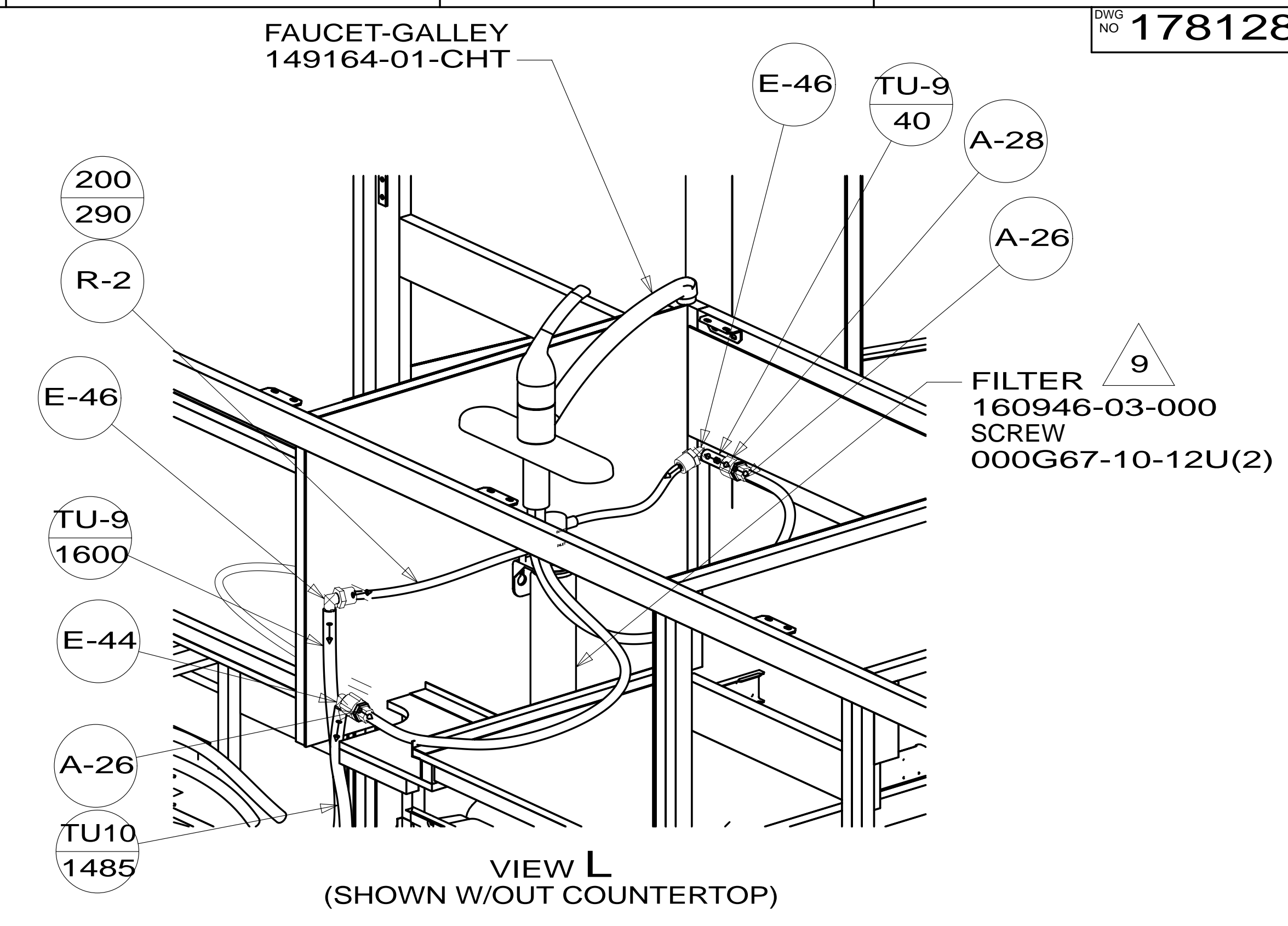
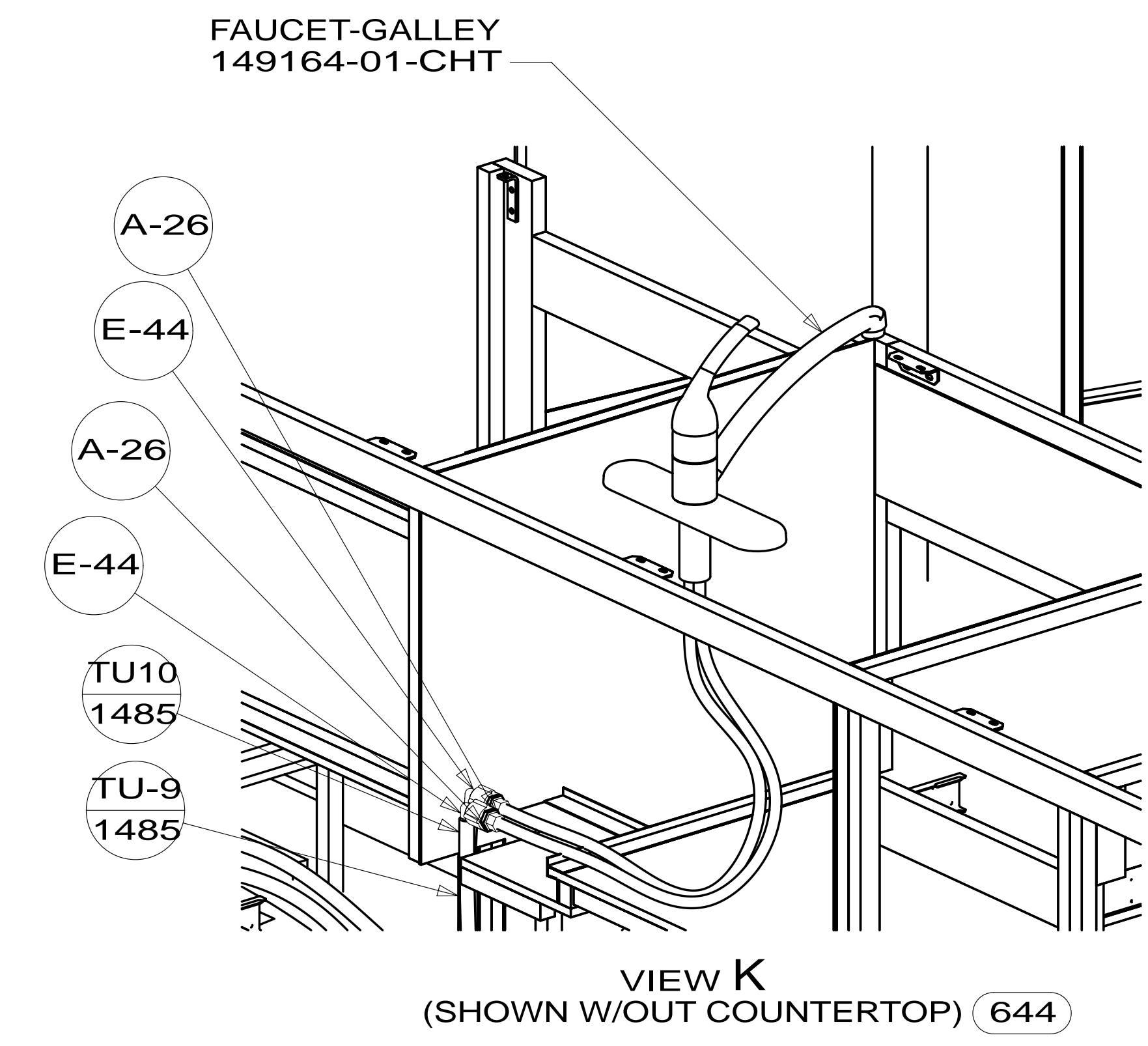
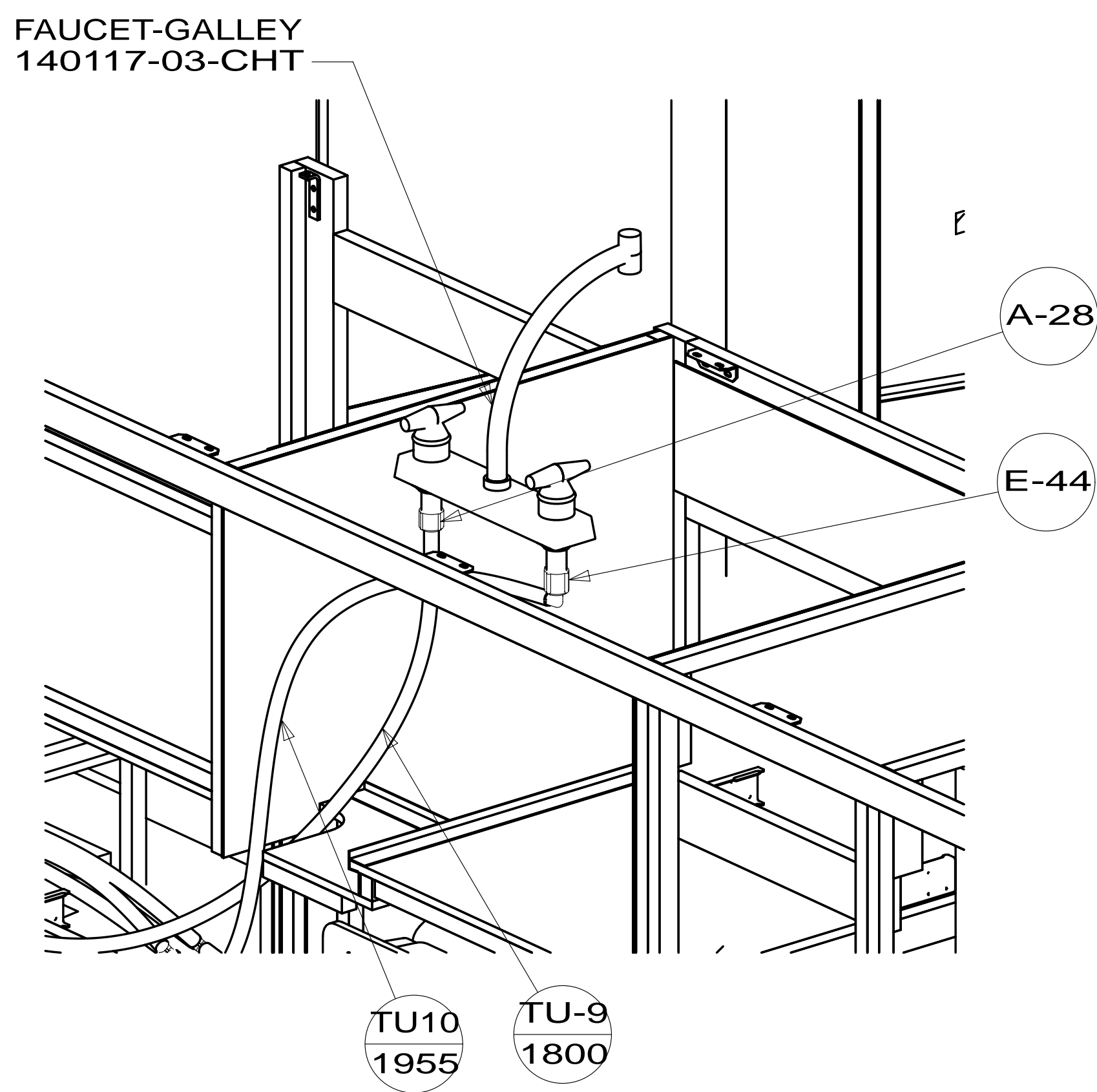


CLAMP
010495-04-000
SCREW
000G67-10-12U
LUMBER
052372-D0-080

CLAMP
010495-04-000
SCREW
000G67-10-12U

FIRST USED	12 226Q/QP
DO NOT SCALE DRAWING	
TITLE: WATER SYSTEM INSTL	
SHEET 3	PART NO 178128 REV
19-Aug-2013	

* 178128 * A



FIRST USED	12 226Q/QP
DO NOT SCALE DRAWING	
TITLE:	WATER SYSTEM INSTL
SHEET 4	PART NO 178128 REV
19-Aug-2013	

*178128 *A