

- NOTES:
10. USE SUPPLIED HANDLE FROM VALVE.
 9. USE SMOOTH PLUMBERS PUTTY 167459-01-000 TO SEAL STRAINER (0.2 PER STRAINER).
 8. USE LOCTITE 062917-06-000 ON ALL THREADS WHEN INSTALLING BRACKET
 7. TRIM TO FIT.
 6. VENT PIPE MUST PROJECT 51 MIN AND 64 MAX ABOVE ROOF FOR PROPER FIT AND FUNCTION.
 5. SEAL AROUND SHOWER WITH SILICONE.
 4. SECURE DRAINAGE PIPES TO CABINET USING WIRE TIE 108046-02-000, AND SCREW 000G67-10-12B AT INTERVALS OF NOT MORE THAN 4 FEET APART.
 3. ALL PIPE AND FITTINGS TO BE ASSEMBLED WITH SOLVENT 004020-01-000 (USA), 004020-02-000 (CAN)
 2. SLOPE OF TRAP ARM MUST BE 6 PER 305 mm.
 1. SLOPE OF HORIZONTAL PIPING TO BE MINIMUM OF 3 PER 305 mm.

FOR DRAINAGE CALLOUTS SEE DWG NO 116229-01-000

		COPYRIGHT 2013 WINNEBAGO INDUSTRIES, INC.	
DFT-ORIG	ORIG. DATE	ALL DIMENSIONS ARE IN MILLIMETERS	
CHKR			
P.E.			
M.E.	FIRST USED	13 170X	
DSNR			
UNSPECIFIED TOLERANCES ARE:		MATERIAL:	
WHOLE DIM (X)	: 3		
ONE-PLACE (X.X)	: 1.5		
TWO-PLACE (X.XX)	: 0.50		
ANGLE	: 1°		
THIRD ANGLE PROJECTION			
DO NOT SCALE DRAWING		REFER TO ES0018 FOR FASTENER TIGHTENING GUIDELINES	
TITLE: DRAINAGE SYSTEM INSTL			
SHEET 1 OF 5	PART NO	180136	REV
REF:	1	09-Apr-2013	

* 180136 * A

SINK-GALLEY
165378-01-CHT
SEAL
091255-03-000(1280)
STRAINER
163659-01-000

ADAPTER-ANGLE
165406-02-000

TRAP
165406-01-000

PANEL-SUPPORT,SINK
166297-01-000

GASKET
167219-03-CHT
(UNDER WOOD FLOOR)

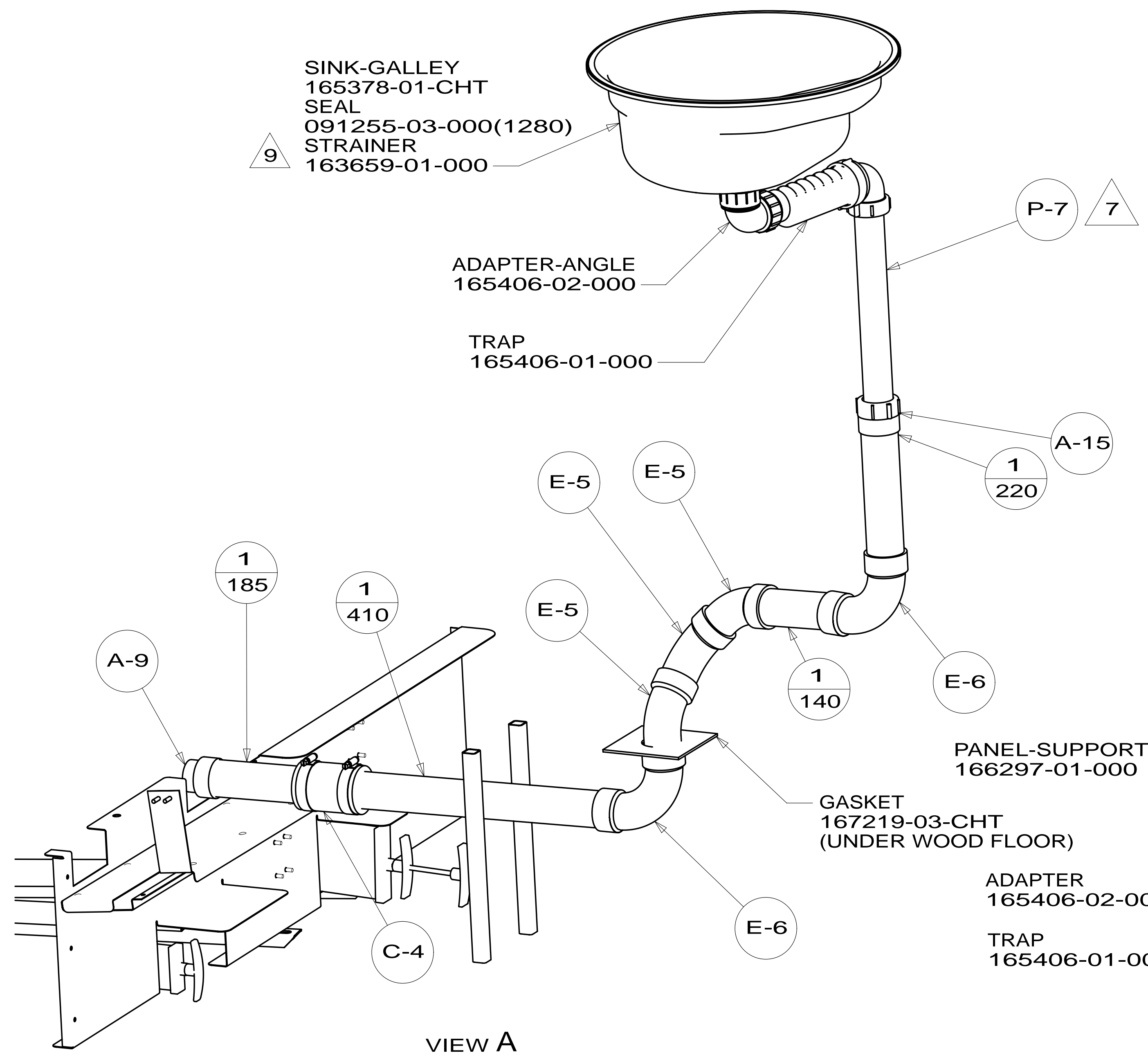
ADAPTER
165406-02-000

TRAP
165406-01-000

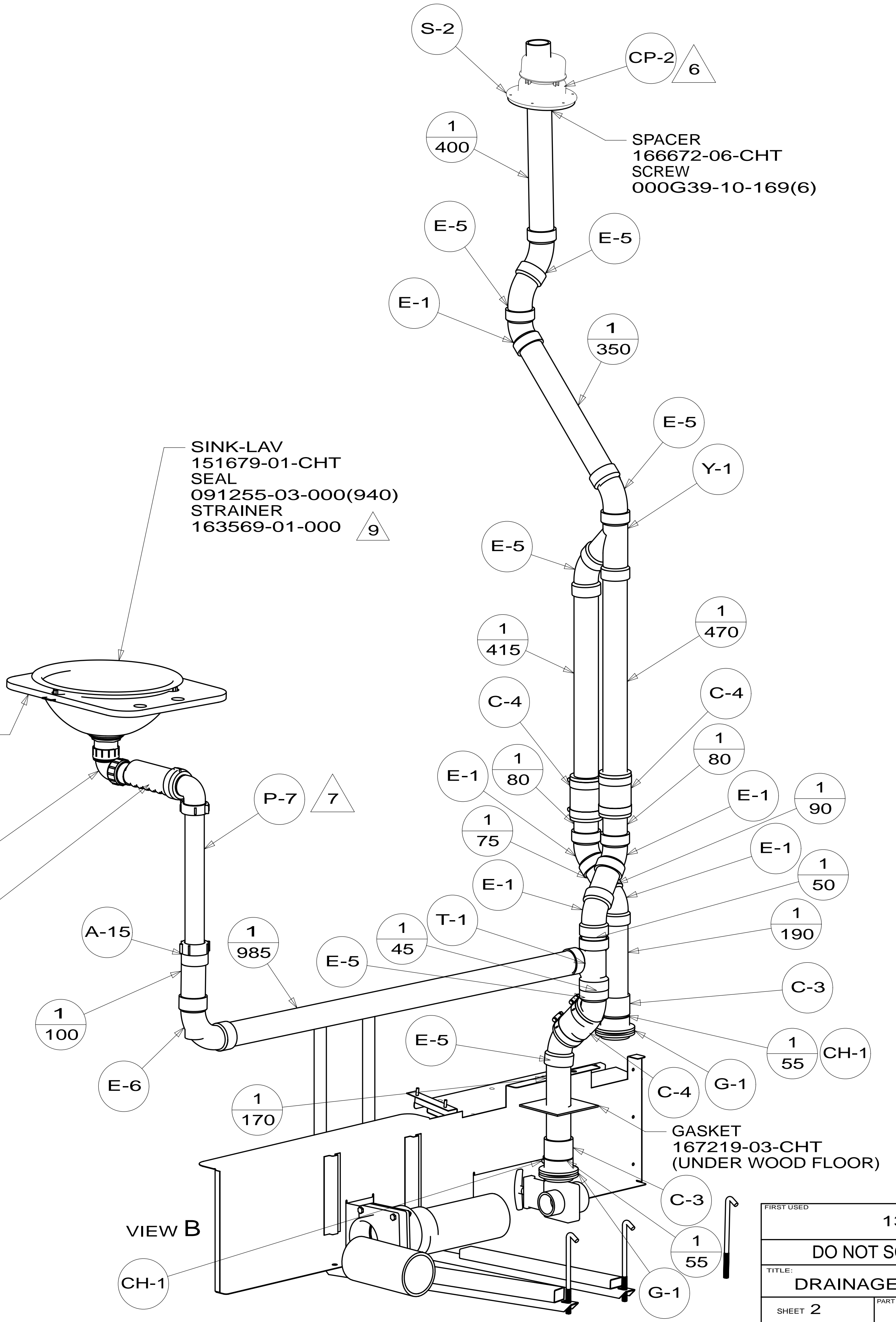
SINK-LAV
151679-01-CHT
SEAL
091255-03-000(940)
STRAINER
163569-01-000

SPACER
166672-06-CHT
SCREW
000G39-10-169(6)

GASKET
167219-03-CHT
(UNDER WOOD FLOOR)



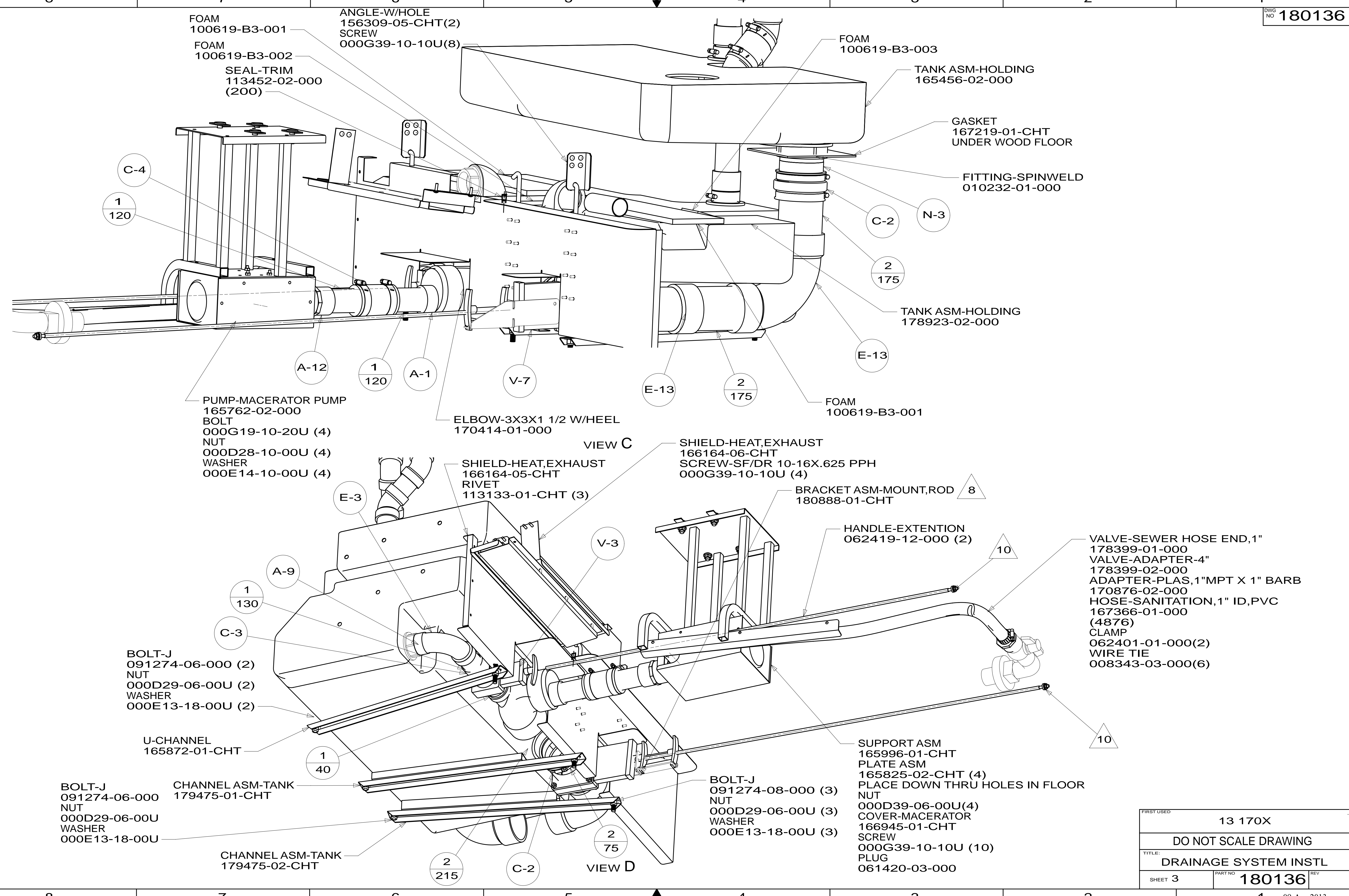
VIEW A



VIEW B

FIRST USED	13 170X	
DO NOT SCALE DRAWING		
TITLE: DRAINAGE SYSTEM INSTL		
SHEET 2	PART NO 180136	REV
		09-Apr-2013

* 180136 A *



FOAM
100619-B3-001
FOAM
100619-B3-002
SEAL-TRIM
113452-02-000
(200)

ANGLE-W/HOLE
156309-05-CHT(2)
SCREW
000G39-10-10U(8)

FOAM
100619-B3-003

TANK ASM-HOLDING
165456-02-000

GASKET
167219-01-CHT
UNDER WOOD FLOOR

FITTING-SPINWELD
010232-01-000

TANK ASM-HOLDING
178923-02-000

PUMP-MACERATOR PUMP
165762-02-000
BOLT
000G19-10-20U (4)
NUT
000D28-10-00U (4)
WASHER
000E14-10-00U (4)

ELBOW-3X3X1 1/2 W/HEEL
170414-01-000

FOAM
100619-B3-001

VIEW C

SHIELD-HEAT,EXHAUST
166164-06-CHT
SCREW-SF/DR 10-16X.625 PPH
000G39-10-10U (4)

BRACKET ASM-MOUNT,ROD
180888-01-CHT

HANDLE-EXTENTION
062419-12-000 (2)

VALVE-SEWER HOSE END,1"
178399-01-000
VALVE-ADAPTER-4"
178399-02-000
ADAPTER-PLAS,1"MPT X 1" BARB
170876-02-000
HOSE-SANITATION,1" ID,PVC
167366-01-000
(4876)
CLAMP
062401-01-000(2)
WIRE TIE
008343-03-000(6)

SHIELD-HEAT,EXHAUST
166164-05-CHT
RIVET
113133-01-CHT (3)

BOLT-J
091274-06-000 (2)
NUT
000D29-06-00U (2)
WASHER
000E13-18-00U (2)

U-CHANNEL
165872-01-CHT

BOLT-J
091274-06-000
NUT
000D29-06-00U
WASHER
000E13-18-00U

CHANNEL ASM-TANK
179475-01-CHT

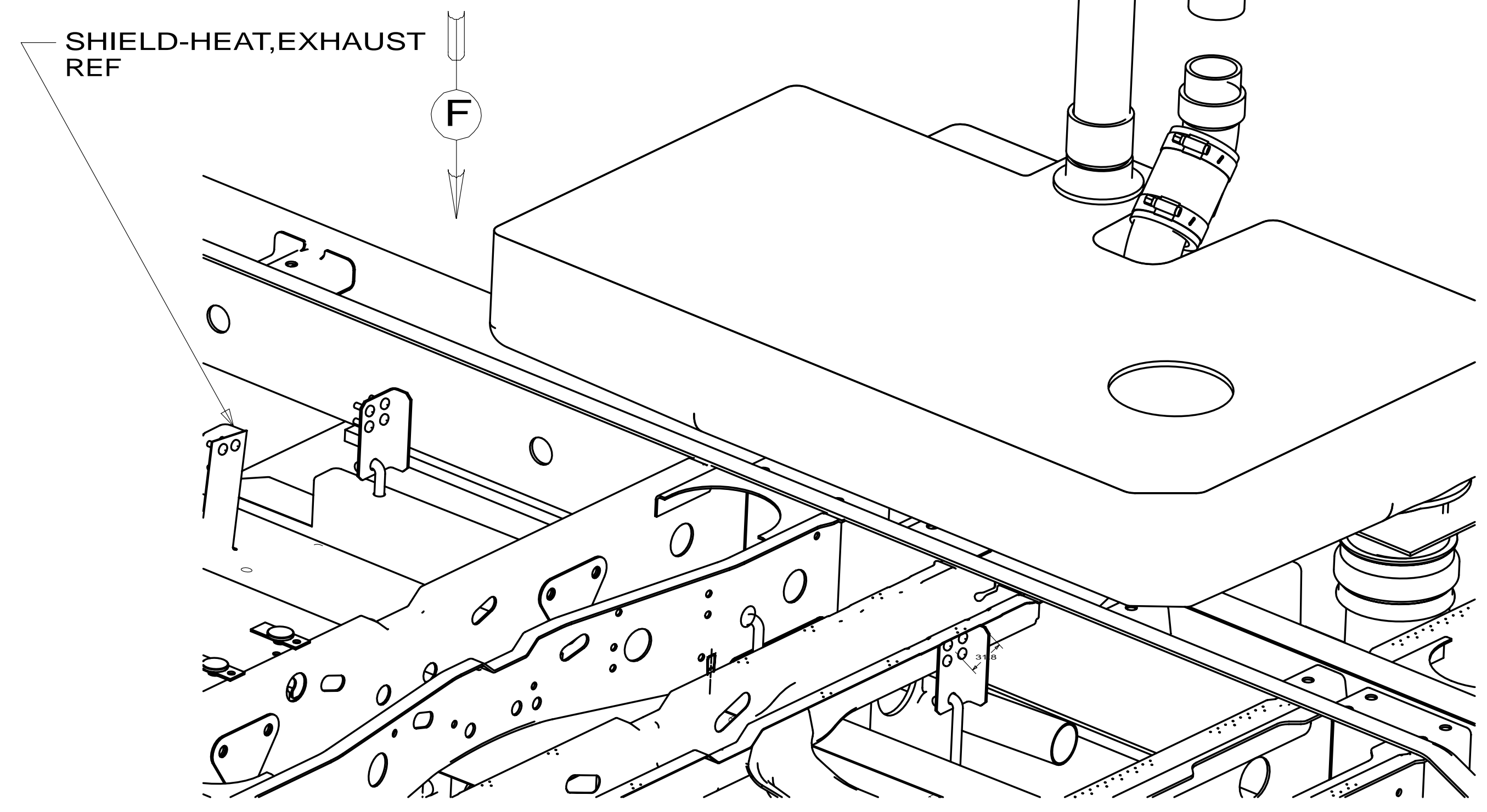
CHANNEL ASM-TANK
179475-02-CHT

SUPPORT ASM
165996-01-CHT
PLATE ASM
165825-02-CHT (4)
PLACE DOWN THRU HOLES IN FLOOR
NUT
000D39-06-00U(4)
COVER-MACERATOR
166945-01-CHT
SCREW
000G39-10-10U (10)
PLUG
061420-03-000

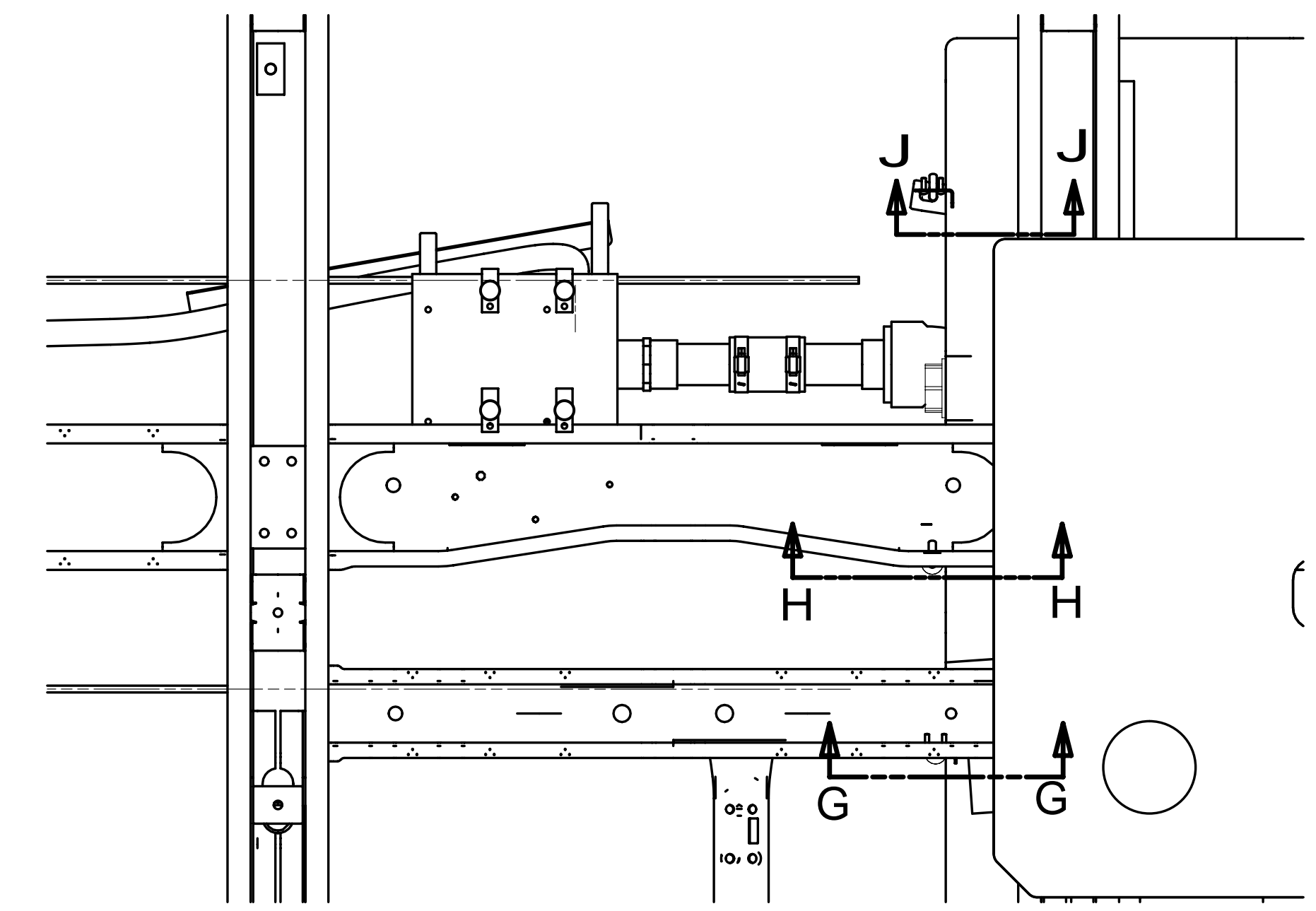
BOLT-J
091274-08-000 (3)
NUT
000D29-06-00U (3)
WASHER
000E13-18-00U (3)

FIRST USED	13 170X	
DO NOT SCALE DRAWING		
TITLE	DRAINAGE SYSTEM INSTL	
SHEET 3	PART NO 180136	REV
		09-Apr-2013

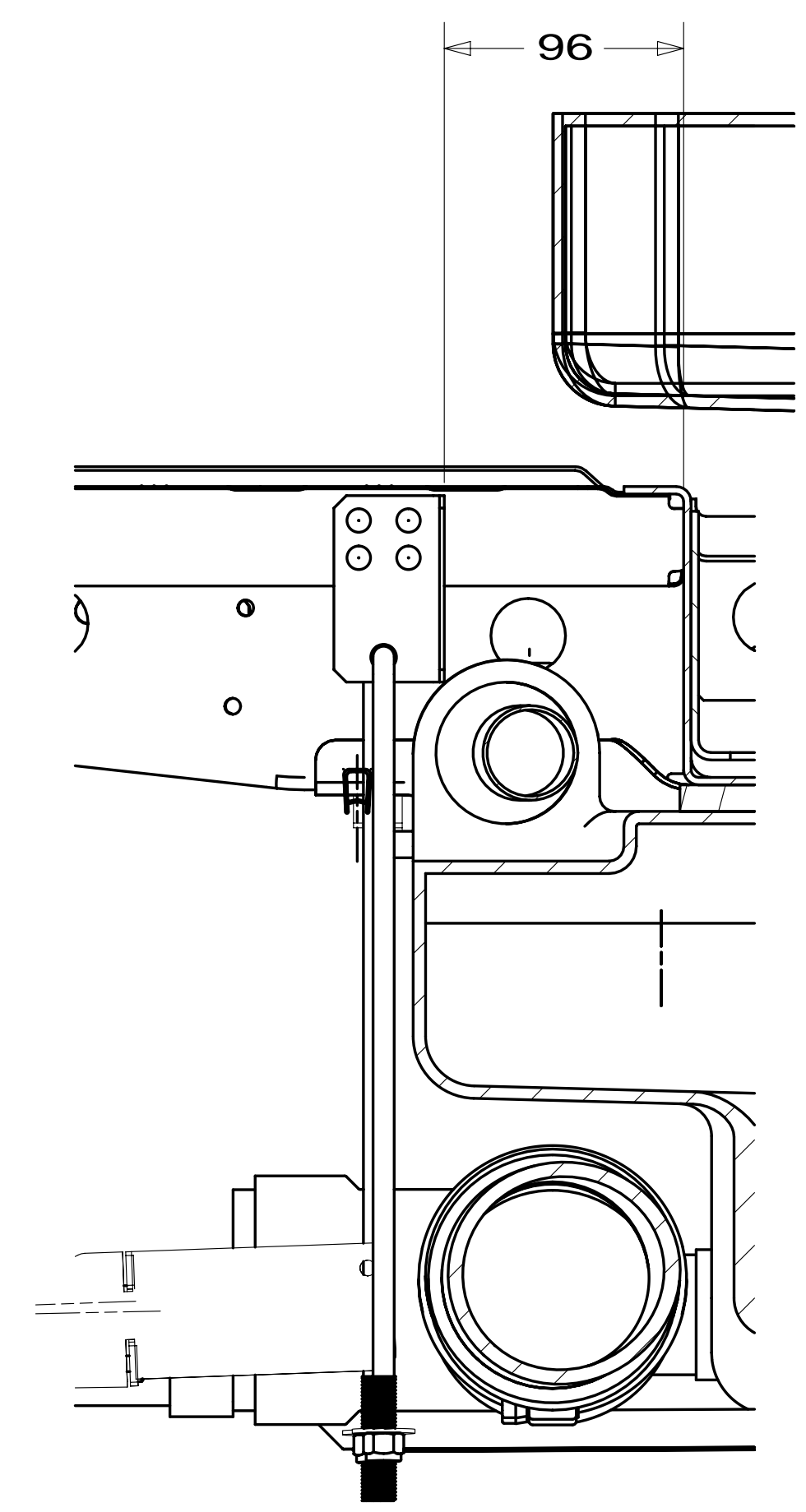
A * 180136



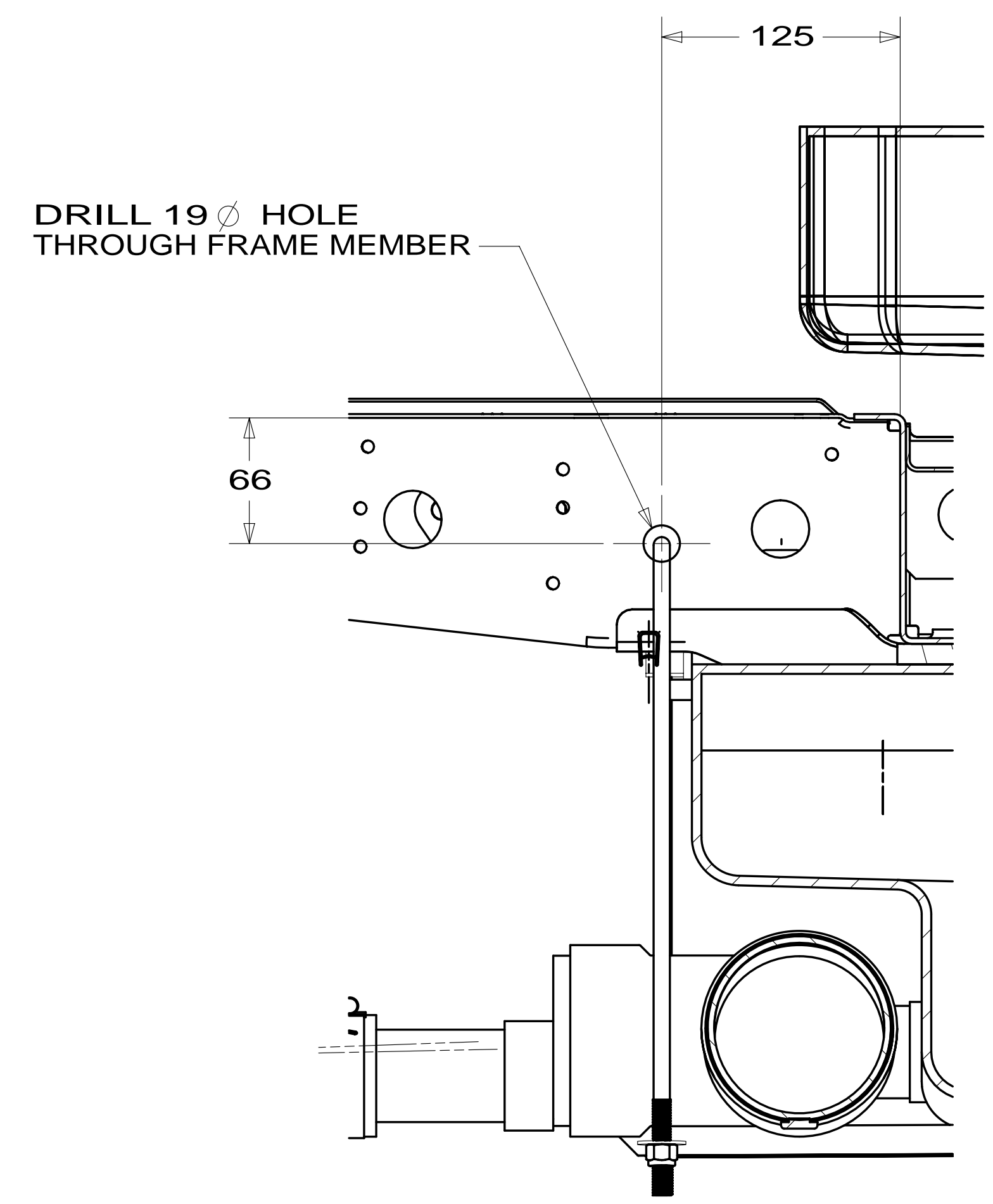
VIEW E



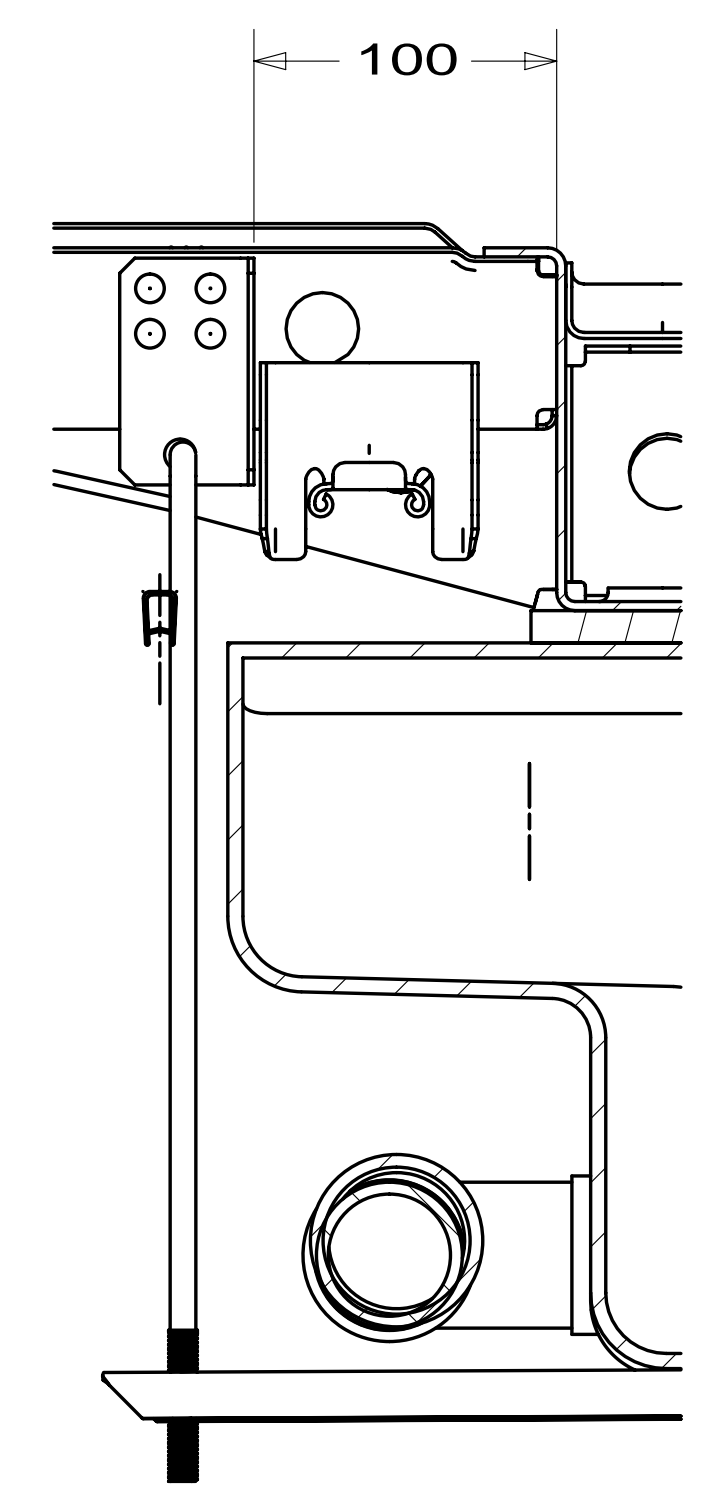
VIEW F



SECTION G-G



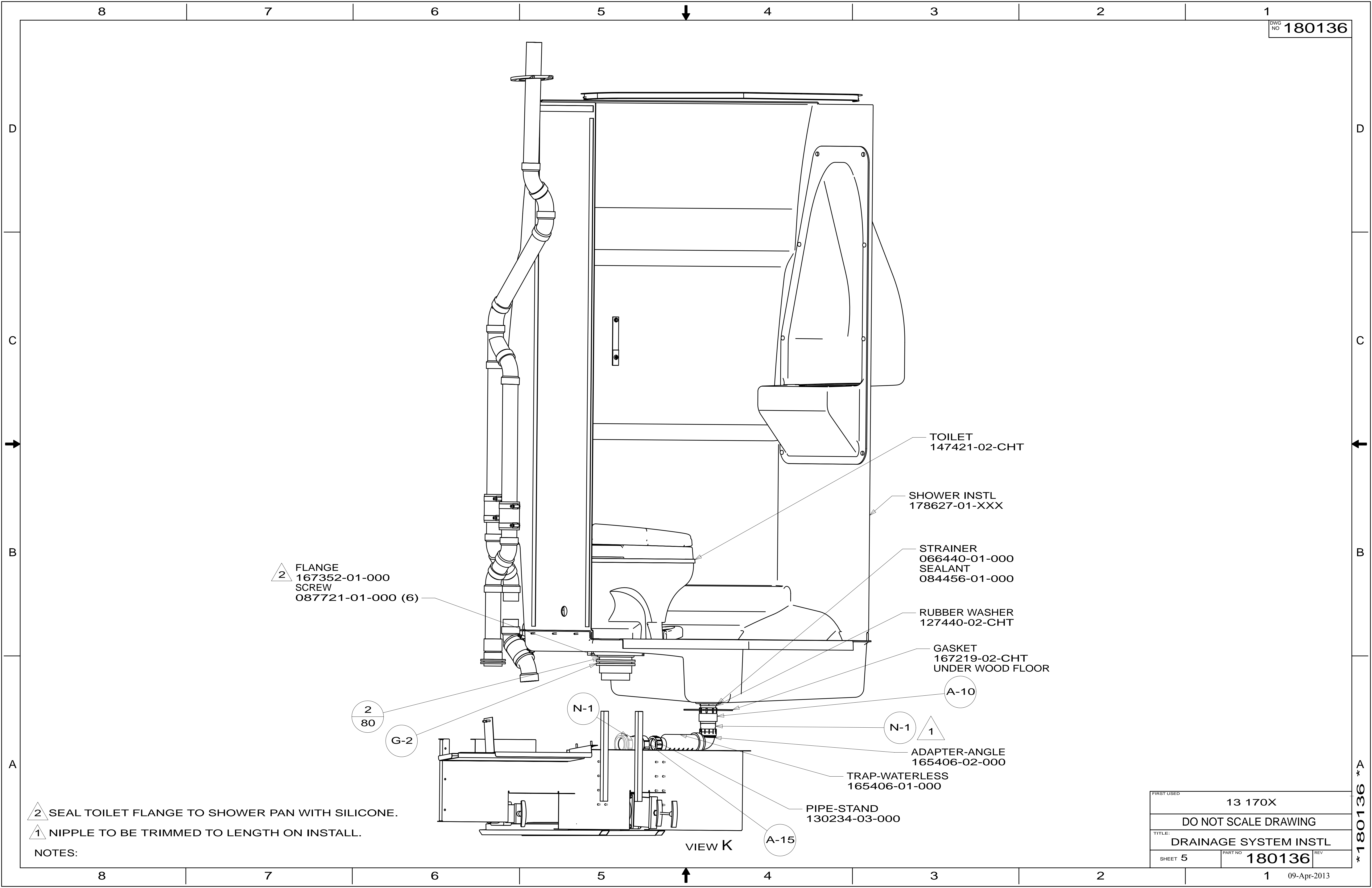
SECTION H-H



SECTION J-J

FIRST USED	13 170X	
TITLE:	DO NOT SCALE DRAWING	
SHEET 4	PART NO	180136
	REV	
		1 09-Apr-2013

* 180136 * A



2 FLANGE
167352-01-000
SCREW
087721-01-000 (6)

TOILET
147421-02-CHT

SHOWER INSTL
178627-01-XXX

STRAINER
066440-01-000
SEALANT
084456-01-000

RUBBER WASHER
127440-02-CHT

GASKET
167219-02-CHT
UNDER WOOD FLOOR

A-10

N-1 1

ADAPTER-ANGLE
165406-02-000

TRAP-WATERLESS
165406-01-000

PIPE-STAND
130234-03-000

A-15

2
80

G-2

N-1

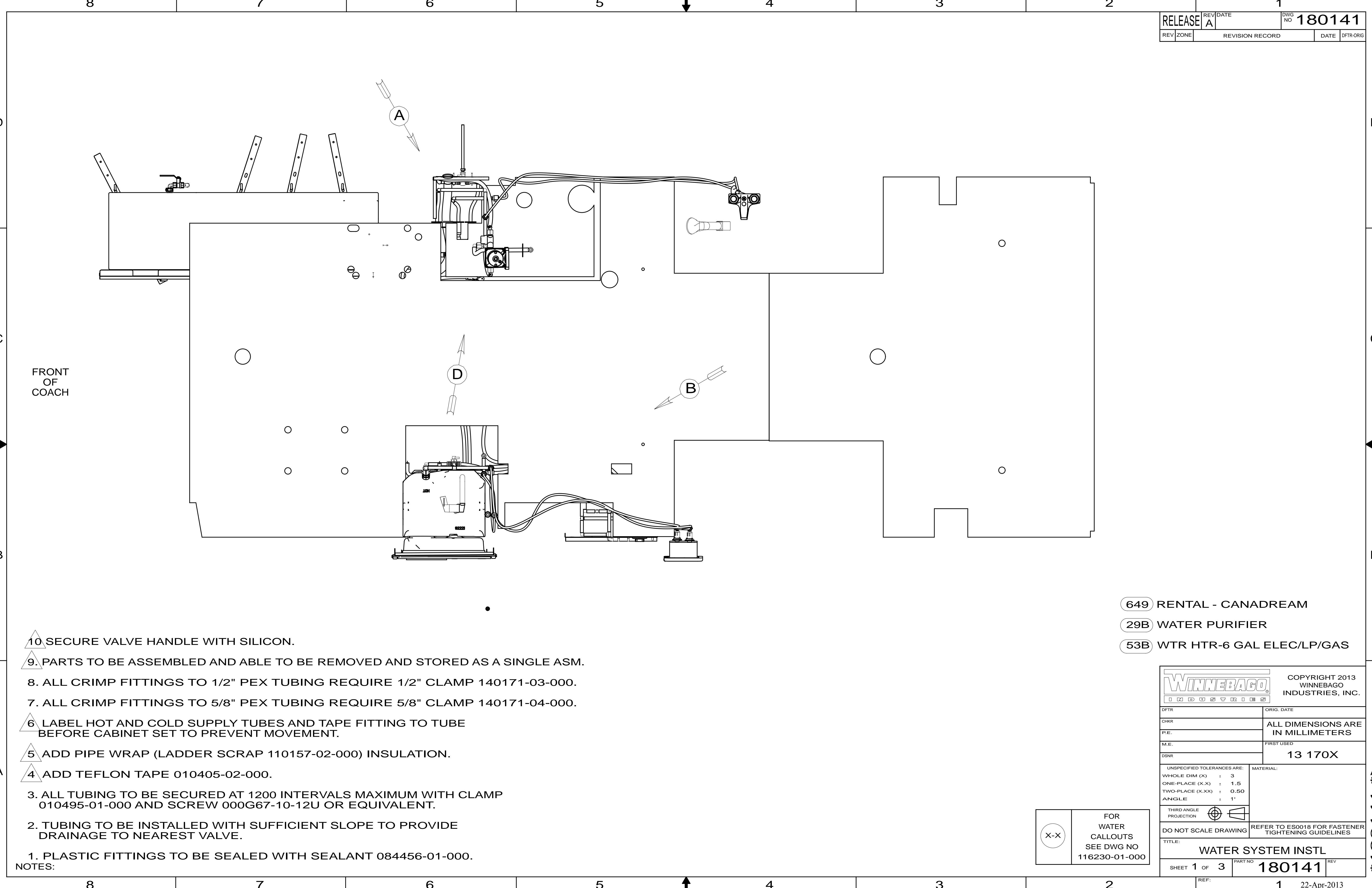
VIEW K

2 SEAL TOILET FLANGE TO SHOWER PAN WITH SILICONE.
1 NIPPLE TO BE TRIMMED TO LENGTH ON INSTALL.

NOTES:

FIRST USED	13 170X	
DO NOT SCALE DRAWING		
TITLE: DRAINAGE SYSTEM INSTL		
SHEET 5	PART NO 180136	REV
		1 09-Apr-2013

* 180136 * A



- 10. SECURE VALVE HANDLE WITH SILICON.
 - 9. PARTS TO BE ASSEMBLED AND ABLE TO BE REMOVED AND STORED AS A SINGLE ASM.
 - 8. ALL CRIMP FITTINGS TO 1/2" PEX TUBING REQUIRE 1/2" CLAMP 140171-03-000.
 - 7. ALL CRIMP FITTINGS TO 5/8" PEX TUBING REQUIRE 5/8" CLAMP 140171-04-000.
 - 6. LABEL HOT AND COLD SUPPLY TUBES AND TAPE FITTING TO TUBE BEFORE CABINET SET TO PREVENT MOVEMENT.
 - 5. ADD PIPE WRAP (LADDER SCRAP 110157-02-000) INSULATION.
 - 4. ADD TEFLON TAPE 010405-02-000.
 - 3. ALL TUBING TO BE SECURED AT 1200 INTERVALS MAXIMUM WITH CLAMP 010495-01-000 AND SCREW 000G67-10-12U OR EQUIVALENT.
 - 2. TUBING TO BE INSTALLED WITH SUFFICIENT SLOPE TO PROVIDE DRAINAGE TO NEAREST VALVE.
 - 1. PLASTIC FITTINGS TO BE SEALED WITH SEALANT 084456-01-000.
- NOTES:

- 649 RENTAL - CANADREAM
- 29B WATER PURIFIER
- 53B WTR HTR-6 GAL ELEC/LP/GAS

		COPYRIGHT 2013 WINNEBAGO INDUSTRIES, INC.
DFT-ORIG	ORIG. DATE	
CHKR	ALL DIMENSIONS ARE IN MILLIMETERS	
P.E.		
M.E.	FIRST USED	
DSNR	13 170X	
UNSPECIFIED TOLERANCES ARE:		
WHOLE DIM (X)	: 3	MATERIAL:
ONE-PLACE (X.X)	: 1.5	
TWO-PLACE (X.XX)	: 0.50	
ANGLE	: 1°	
THIRD ANGLE PROJECTION		
DO NOT SCALE DRAWING		REFER TO ES0018 FOR FASTENER TIGHTENING GUIDELINES
TITLE: WATER SYSTEM INSTL		
SHEET 1 OF 3	PART NO 180141	REV
REF:	1	22-Apr-2013

FOR WATER CALLOUTS SEE DWG NO 116230-01-000

* 180141 * A

SHOWER HEAD-W/HOSE & BRACKET
176668-01-CHT

SHOWER-EXTERIOR
166291-01-CHT
HOSE ASM-W/SPRAYER
166291-02-000

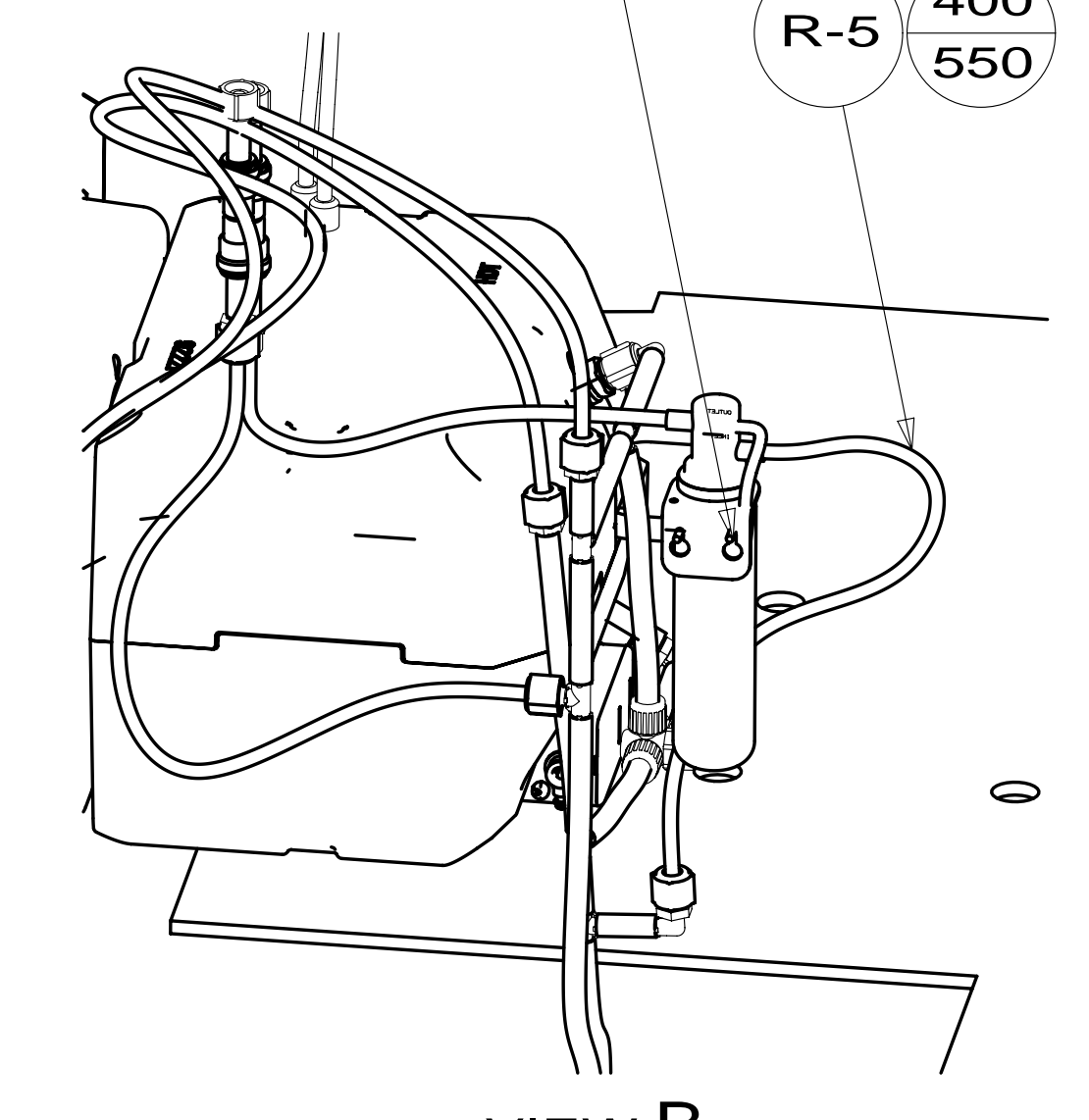
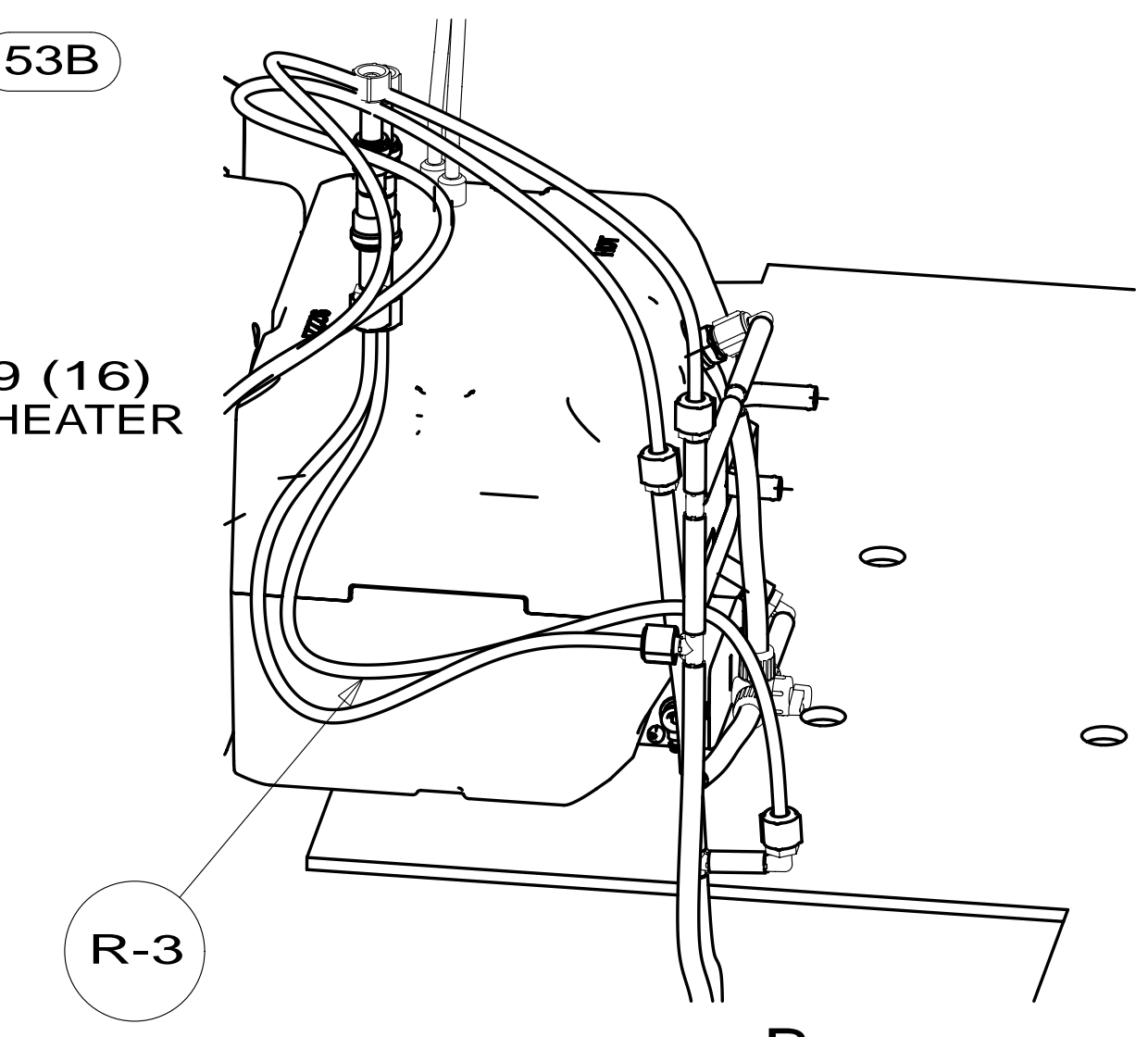
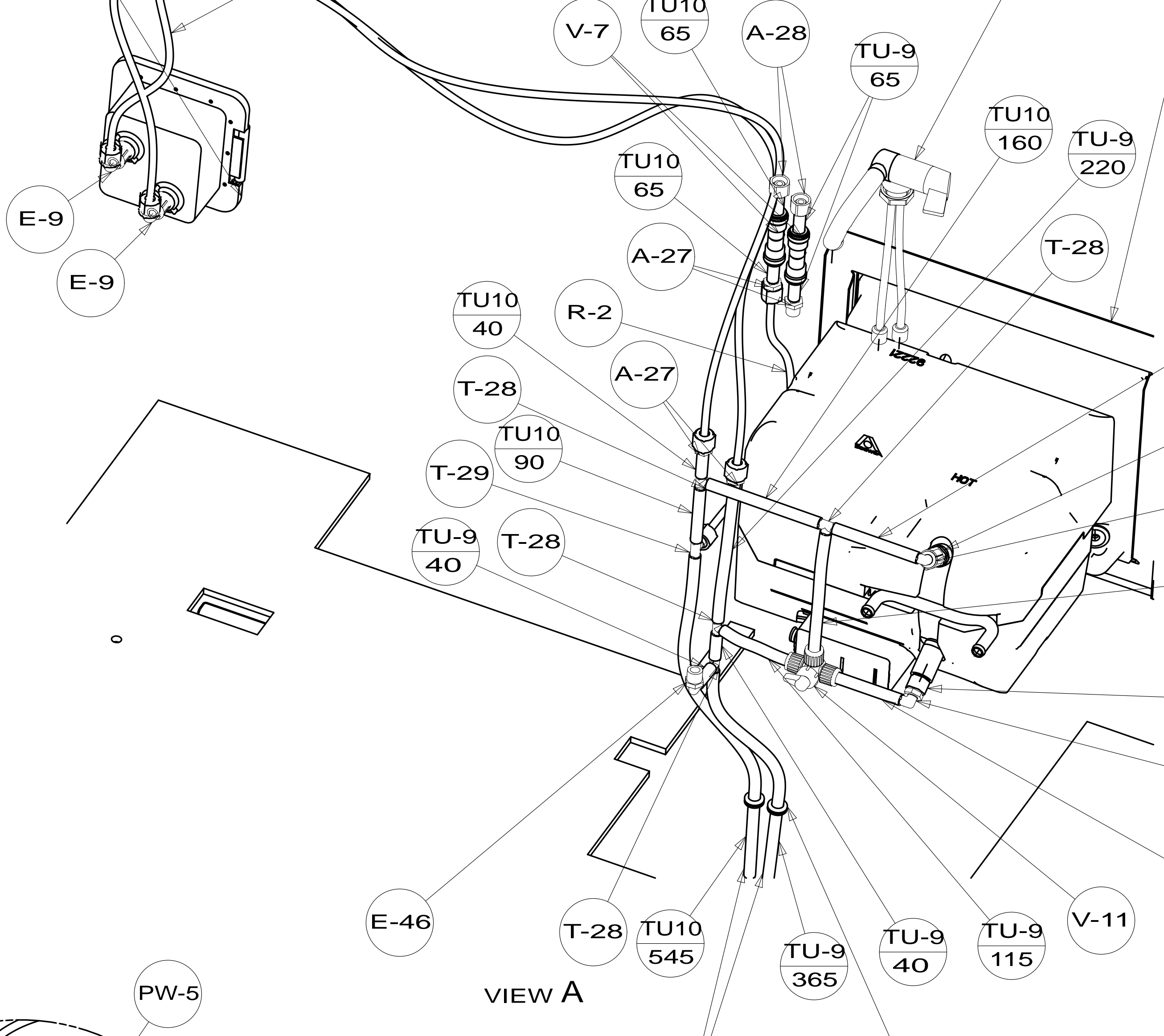
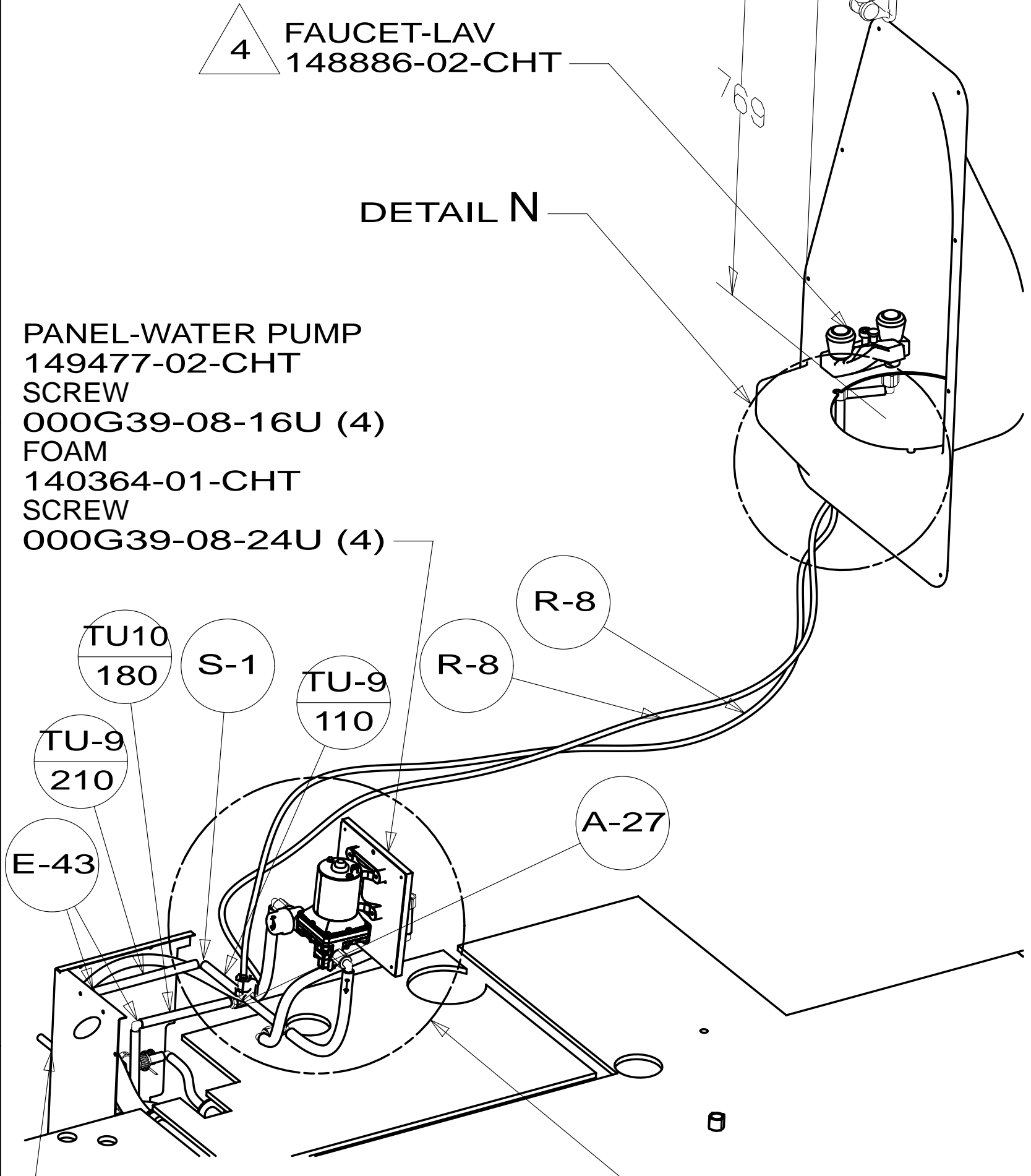
FAUCET
165378-02-CHT

WATER HEATER 53B
145541-02-000
DOOR
125420-06-CHT
CABLE
076767-03-000
SCREW
000G39-10-169 (16)
FLANGE-WATER HEATER
166386-01-CHT
ADAPTER-BRASS
136333-01-000
CLOSEOUT ASM
165928-01-CHT

FILTER KIT KIT
160946-03-000
SCREW
000G67-10-12U (2)

PANEL-WATER PUMP
149477-02-CHT
SCREW
000G39-08-16U (4)
FOAM
140364-01-CHT
SCREW
000G39-08-24U (4)

PANEL
166584-03-CHT
SCREW
000G67-10-10U(6)
PANEL
166584-02-CHT
SCREW
000G67-10-10U(4)



DETAIL N

DETAIL G

VIEW A

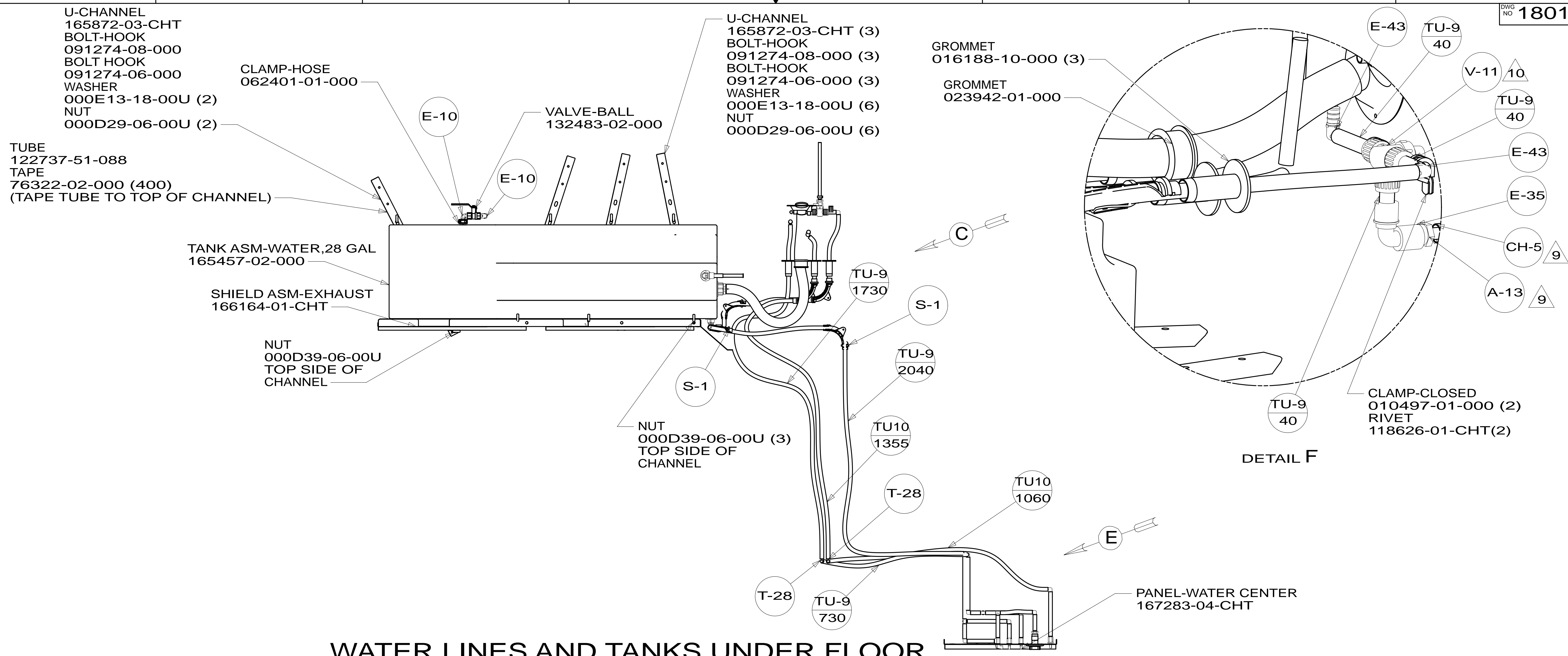
VIEW D

DETAIL G
(SHOWN W/OUT PANEL-WATER PUMP)

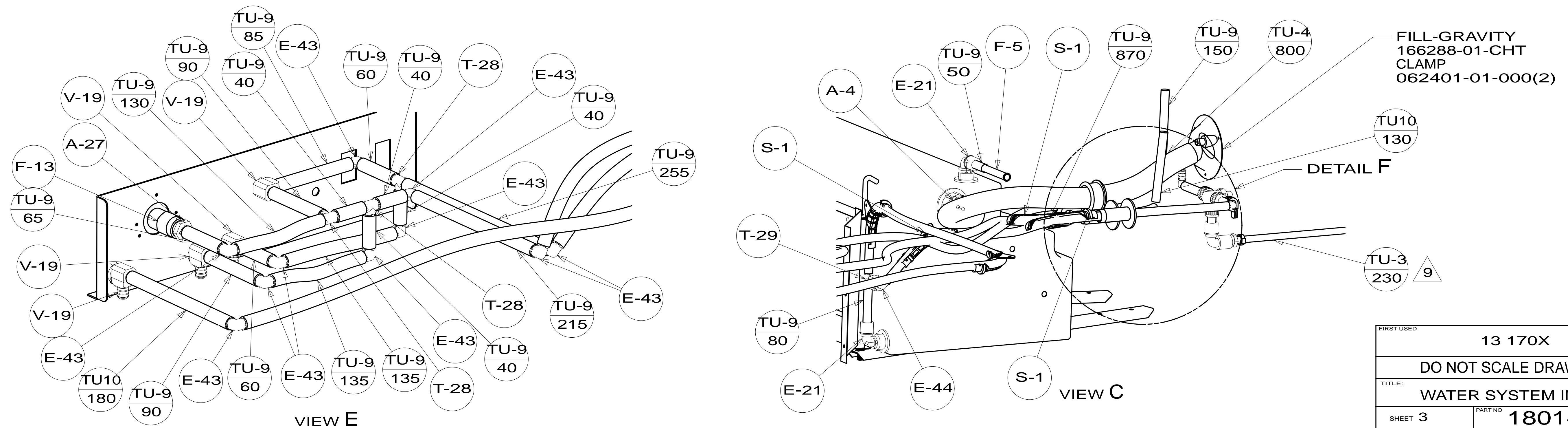
DETAIL N
(SHOWN W/OUT SHOWER)

FIRST USED	13 170X	
TITLE:	DO NOT SCALE DRAWING	
	WATER SYSTEM INSTL	
SHEET 2	PART NO	180141
	REV	
		22-Apr-2013

* 180141 * A



WATER LINES AND TANKS UNDER FLOOR



FIRST USED	13 170X	
DO NOT SCALE DRAWING		
TITLE:	WATER SYSTEM INSTL	
SHEET 3	PART NO	180141
	REV	1
22-Apr-2013		

* 180141 * A